

Form No.
904114

1865

Variable Chamber Round Baler



SERVICE PARTS MANUAL

GEHL[®] COMPANY

CLICK HERE TO **DOWNLOAD** THE COMPLETE MANUAL

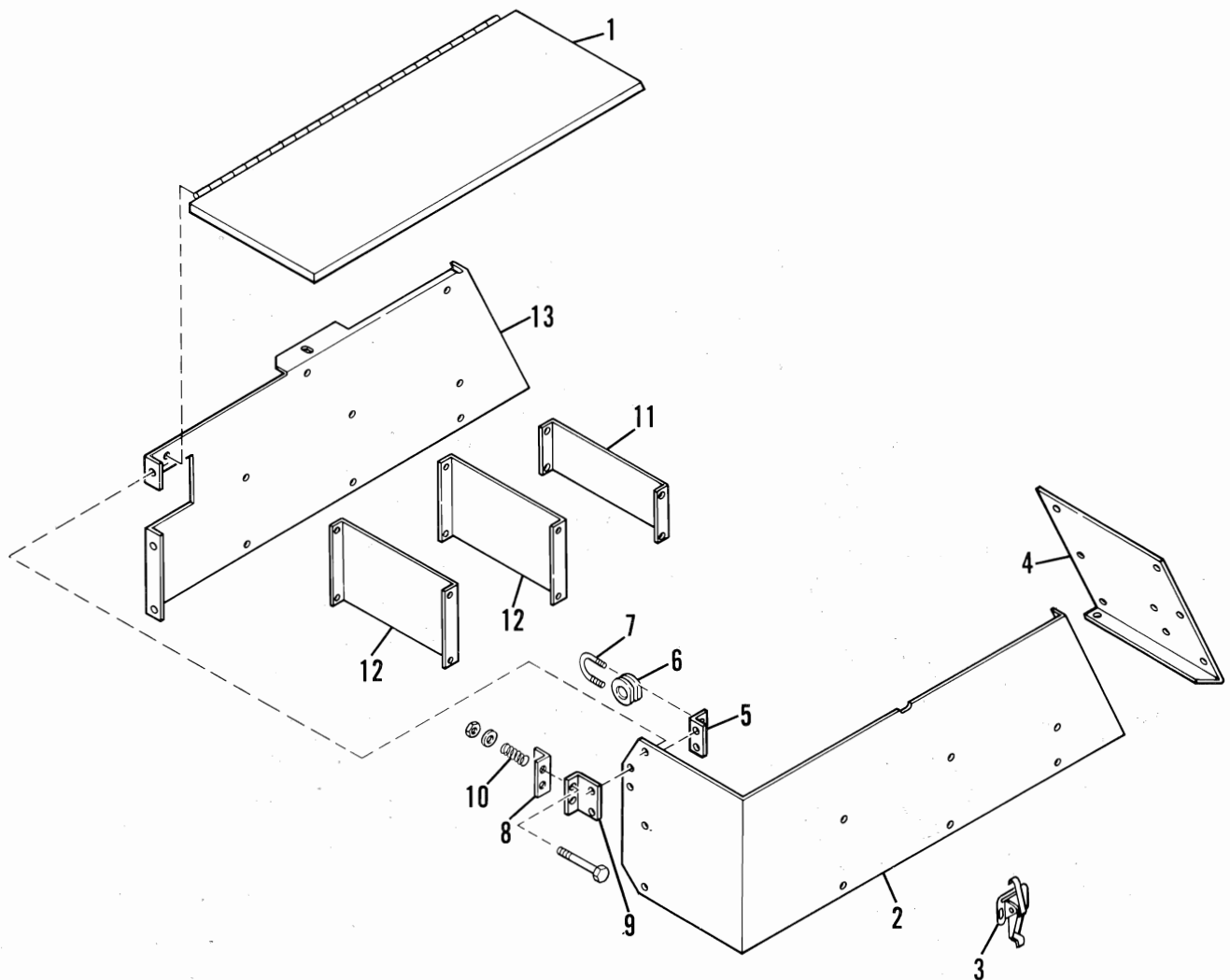
- Thank you very much for reading the preview of the manual.
- You can download the complete manual from: www.heydownloads.com by clicking the link below



- Please note: If there is no response to CLICKING the link, please download this PDF first and then click on it.

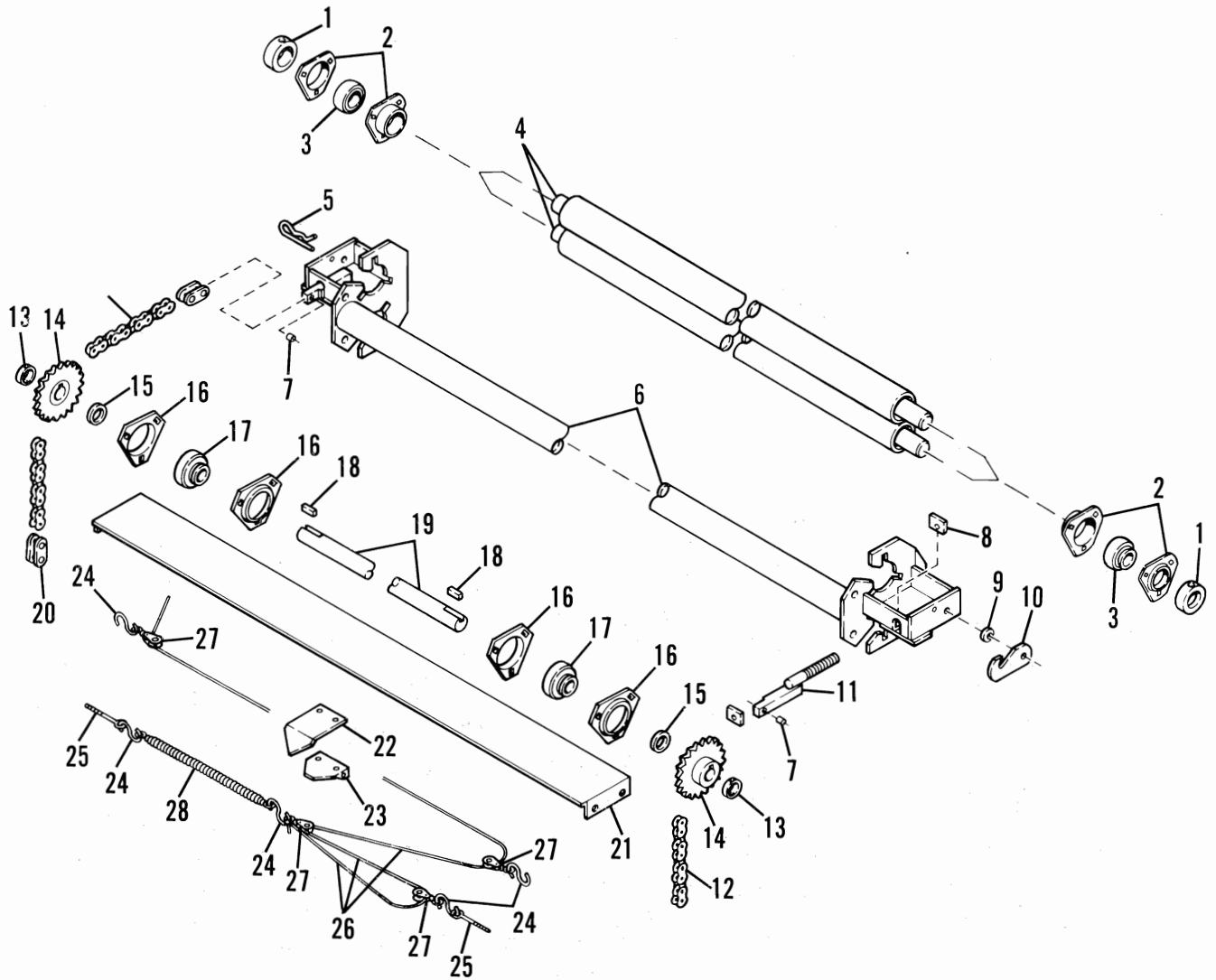
CLICK HERE TO **DOWNLOAD** THE COMPLETE MANUAL

RIGHT TWINE BOX



REF. NO.	PART NO.	PART NAME	NO. REQ.	REF. NO.	PART NO.	PART NAME	NO. REQ.
01	087599	TWINE BOX COVER RT.	1	08	076892	TWINE TENSIONER	1
	650486	CS 5/16X3/4 (N,L)	3	09	084680	TWINE TENSION MOUNT	1
02	077843	TWINE BOX SIDE RT.	1		650949	STHM 5/16X3/4 (N,L)	2
	650490	CS 3/8X1 (N,L,2P)	1	10	M12361	TENSIONER SPRING	2
	650949	STHM 5/16X3/4 (N,L)	6		650449	CS 1/4X2-1/2(LN,P)	2
03	079878	LATCH	1	11	077847	DIVIDER	1
	650812	RHMS #12-24X1/2 (N,L)	2		650949	STHM 5/16X3/4 (N,L)	4
04	077845	TWINE BOX BACK RT.	1	12	077846	DIVIDER	2
	650490	CS 3/8X1 (N,L,2P)	1		650949	STHM 5/16X3/4 (N,L)	8
05	077848	GUIDE MOUNT	1	13	077844	TWINE BOX SIDE INNER RT.	1
06	059721	ROPE GUIDE	1		650949	STHM 5/16X3/4 (N,L)	3
07	B11069	U-BOLT	1				
		(2) 5/16 LN					

SHUTTLE & BALE SIZE INDICATOR



REF. NO.	PART NO.	PART NAME	NO. REQ.	REF. NO.	PART NO.	PART NAME	NO. REQ.
01	520085	COLLAR	4	14	070701	SPROCKET (21T)	2
02	027003	BEARING RETAINER	8	15	H 7165	WASHER	4
	650704	CB 3/8X1 (LN,P)	12	16	077526	BEARING RETAINER	4
03	520065	BEARING	4		650704	CB 3/8X1 (N,L)	6
04	076711	SHUTTLE ROLLER	2	17	057179	BEARING	2
05	9H 300	HAIR PIN COTTER PIN	2	18	066160	SQUARE KEY 5/16X2	2
06	070721	SHUTTLE	1	19	070700	STABILIZER SHAFT	1
	650834	CB 1/2X1-1/2 (N,JN)	2	20	070643	PLAIN LINK (CA2060)	4
07	078060	CHAIN BUSHING	2	21	087101	REWRAP ANGLE	1
08	059720	TAKEUP RETAINER	2			(8) 5/8 N	
	650487	CS 5/16X1 (N,L)	1	22	066173	BALE SIZE INDICATOR	1
09	055142	SPRING WASHER	2		650490	CS 3/8X1 (N,L,P)	1
10	057980	HOOK	2	23	066174	INDICATOR BASE	1
	650495	CS 1/2X1-1/4 (NILN)	2	24	B11433A	S-HOOK	5
11	070730	CHAIN TAKEUP	1		650491	CS 3/8X1-1/4 (N,L,P)	1
		(2) 3/4 N		25	065811	EYEBOLT	2
12	070603	ROLLER CHAIN (#60) OF 105 LINKS ONLY	2			(4) 5/16 N, (2) P	
13	074408	COLLAR	2	26	070607	CORD 3/16X198"	1
	650706	CS 1/4X2 (LN)	2	27	071660	PULLEY	4
				28	078295	EXTENSION SPRING	1

TOTAL DENSITY CONTROL

REF. NO.	PART NO.	PART NAME	NO. REQ.	REF. NO.	PART NO.	PART NAME	NO. REQ.
01	059453	CLAMP	1	34	070621	HYDRAULIC TUBE	1
	650528	CS 3/8X2 (LN)	1	35	058613	HOSE 33"	1
02	072171	SPACER	1	36	070620	HOSE 34"	1
03	072172	SPACER	1	37	540020	RETAINING RING	2
04	9H 240	CAP SCREW GR.2 1/2X1	2	38	H 267A	WASHER	2
	570019	GREASE FITTING (2) 1/2 L	2	39	059424	O-RING	2
05	065663	WASHER	2	40	076552	MANIFOLD	1
06	B11162B	WASHER	5	41	070789	VALVE SPOOL	1
07	072168	TRIP ARM	1	42	070788	MANIFOLD BRACKET	1
08	061529	WASHER	4		650733	CS 5/16X2-1/2 (N,L)	2
09	053342	OIL SEAL	4		650704	CS 3/8X1 (N,L)	2
10	051250	NEEDLE BEARING	2	43	064669	STRAIGHT UNION TEE	1
11	070758	SPROCKET (16T)	2	44	076551	MANIFOLD-ASSEMBLED	1
12	070779	ACCUMULATOR STRAP	2		650535	CS 3/8X2-1/4 (LN)	1
13	056773	HOSE CLAMP	5	45	071741	STOP BRACKET	1
	650488	CS 3/8X3/4 (N,L)	2		650492	CS 3/8X2-1/2 (2N)	2
14	B11343	WASHER	2	46	071739	VALVE TRIP	1
	650773	CB 3/8X1-1/2 (N,L,3P)	1		650491	CS 3/8X1-1/4 (2N)	1
	650704	CB 3/8X1 (N,L,P)	1	47	U10014B	EXTENSION SPRING	1
15	070612	TANK VALVE	1	48	070619	90 MALE ELBOW	1
16	070644a	SLEEVE	2		652053	CB 3/8X2 (N,L,2P)	1
17	070610	MALE 90 UNION	2	49	580116	90 MALE ELBOW	1
18	055896	O-RING	2	50	651022	PIPE NIPPLE 1/4 X 4"	1
19	070775	90 ELBOW	1	51	070633b	CARTRIDGE VALVE	1
20	070638	RELIEF VALVE 250 PSI	1	52	076788	1/4 FEMALE UNION	1
21	070752	O-RING	1	53	071415	VAC RELIEF FITTING	1
22	070609	ADAPTER	1		070777	300 PSI GAUGE	1
23	070611	OIL LEVEL TUBE	1	54	074779	ANCHOR CAP	1
24	077728	RESERVOIR (INCLUDES 071588 MAGNET)	1	55	077950	SERVICE KIT	1
25	042598	90 SWIVEL ADAPTER UNION	1	56	064331	3/4 LN	1
26	070778	ANGLE	1	57	077949	PISTON	1
27	070765	PIN	2	58	077958	TDC TUBE	1
28	070757	SPACER	2	59	077955	TIE ROD (4) 1/2LN	4
	650710	CS 5/8X2-1/4 (N,L,4P)	2	60	077952	ROD CAP	1
29	077954	TIE ROD CYLINDER 3X25 - ASSEMBLED	2	61	077956	TDC CYLINDER ROD	1
30	074792	CYLINDER STRAP	1				
	650704	CB 3/8X1 (N,L)	2				
31	074793	SUPPORT ANGLE	1				
32	070631	HOSE 15"	1				
33	070625	HOSE 46"	1				

a) INCLUDED W/070610 MALE UNION
b) FOR SEAL KIT, ORDER 072855. FOR SERVICE, ORDER KIT 076699 WHICH INCLUDES STEEL BALL & INSTRUCTIONS.

OPTIONS & ACCESSORIES

REF. NO.	PART NO.	PART NAME	NO. REQ.	REF. NO.	PART NO.	PART NAME	NO. REQ.
	802232	CROWDER WHEEL KIT	1	09	072651	ARM PIVOT	2
		CONSISTS OF:					
01	D932A	WASHER	2		655018	COTTER PIN 3/16X1-1/4 .	2
02	B11162B	WASHER	2		655022	COTTER PIN 3/16X1-3/4 .	2
						(2) 3/4 NF SN	
03	064415	DUST CAP	2	10	072655	PIVOT TUBE	2
04	071858	HAIRPIN COTTER PIN	2		570014	GREASE FITTING	2
05	072627	RUBBER WHEEL BACKUP	2		650490	CS 3/8X1 (N,L)	4
06	072641	WHEEL HUB - ASSMEBLED ..	2	11	072658	SUPPORT BRACKET	2
	650692	CS 5/16X1-3/4 (LN)	12		650490	CS 3/8X1 (N,L)	4
07	072645	RIGHT WHEEL SUPPORT	1	12	072659	SPACER	2
	650491	CS 3/8X1-1/4 (N,L,4P) .	2	13	072660	SPRING WASHER	2
08	072650	LEFT WHEEL SUPPORT	1	14	073234	CROWDER WHEEL	2
	650491	CS 3/8X1-1/4 (N,L,4P) .	2	15	520064	BALL BEARING	4

1000RPM Conversion Kit 801552

REF. NO.	PART NO.	PART NAME	NO. REQ.
	801552	1000 RPM CONVERSION KIT	1
		CONSISTS OF:	
01	066285a	SHEAR BOLT 5/16X1-1/2 GR. 2	1
		(1) 5/16 LN	
02	067170	DOUBLE SPROCKET (14/14T)	1
03	067173ab	UNIVERSAL JOINT W/SPLINE SHAFT-ASSEMBLED	1

a) FOR REPLACEMENT SHEAR BOLTS, ORDER KIT 902261 (CONTAINING 8 BOLTS)

b) FOR REPAIR, SEE PAGES TITLED UNIVERSAL DRIVES

6" Upper Belt Dutchman Kit 084384

REF. NO.	PART NO.	PART NAME	NO. REQ.
	084384	6" UPPER BELT DUTCHMAN KIT	1
		CONSISTS OF:	
01	059803	6" BELT PIN	1
02	084187	6" DUTCHMAN BELT	1

CLICK HERE TO **DOWNLOAD** THE COMPLETE MANUAL

- Thank you very much for reading the preview of the manual.
- You can download the complete manual from: www.heydownloads.com by clicking the link below



- Please note: If there is no response to CLICKING the link, please download this PDF first and then click on it.

CLICK HERE TO **DOWNLOAD** THE COMPLETE MANUAL