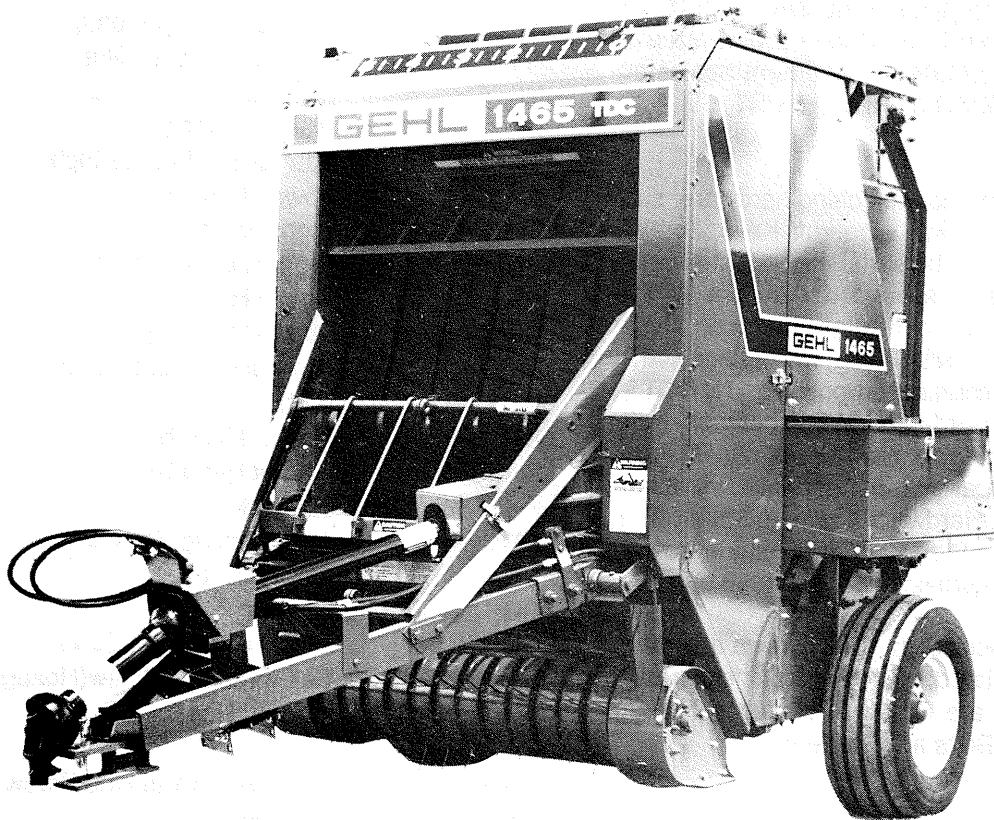


1465

Variable Chamber Round Baler



SERVICE PARTS MANUAL

Form No.
904113

GEHL[®] COMPANY

CLICK HERE TO **DOWNLOAD** THE COMPLETE MANUAL

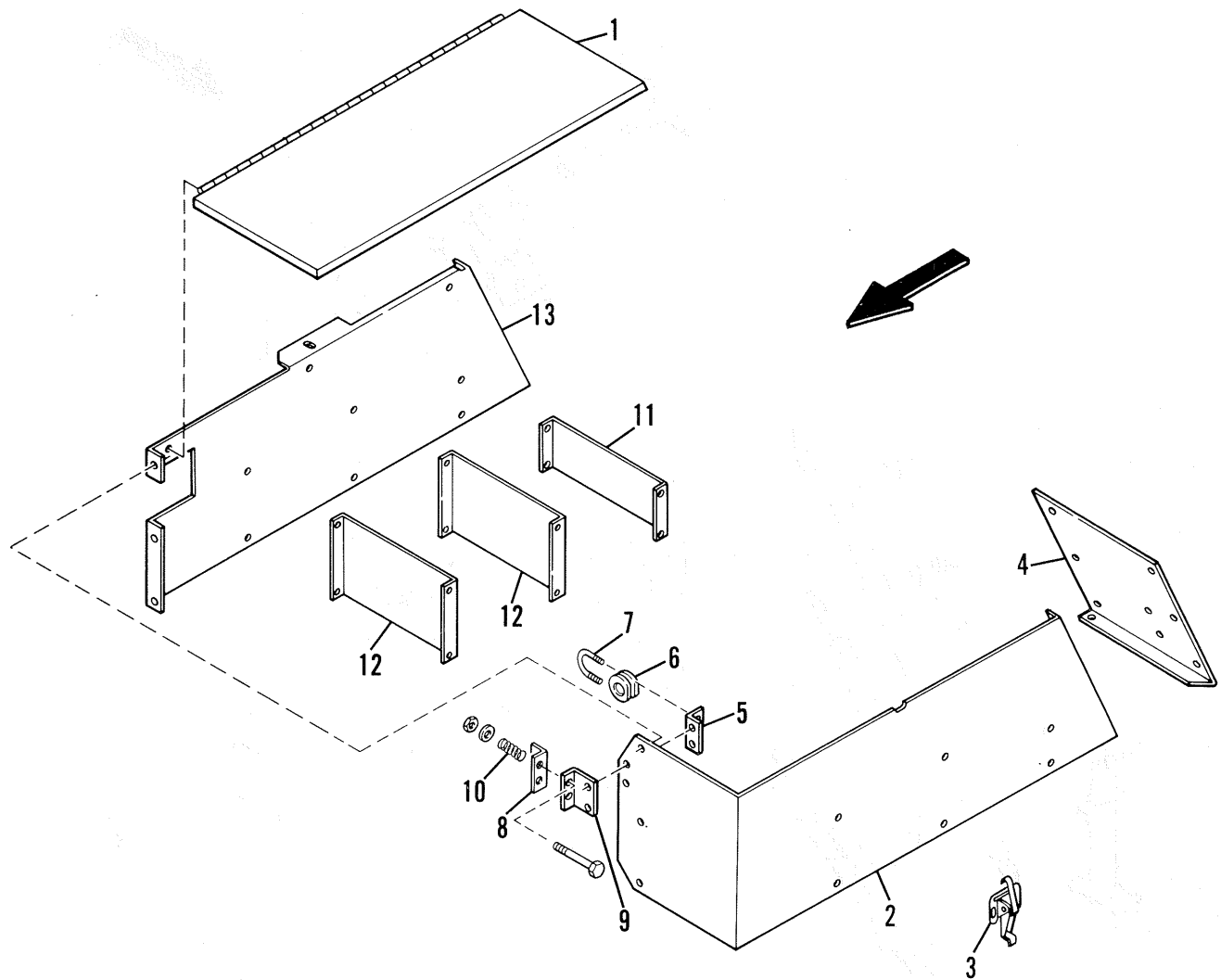
- Thank you very much for reading the preview of the manual.
- You can download the complete manual from: www.heydownloads.com by clicking the link below



- Please note: If there is no response to CLICKING the link, please download this PDF first and then click on it.

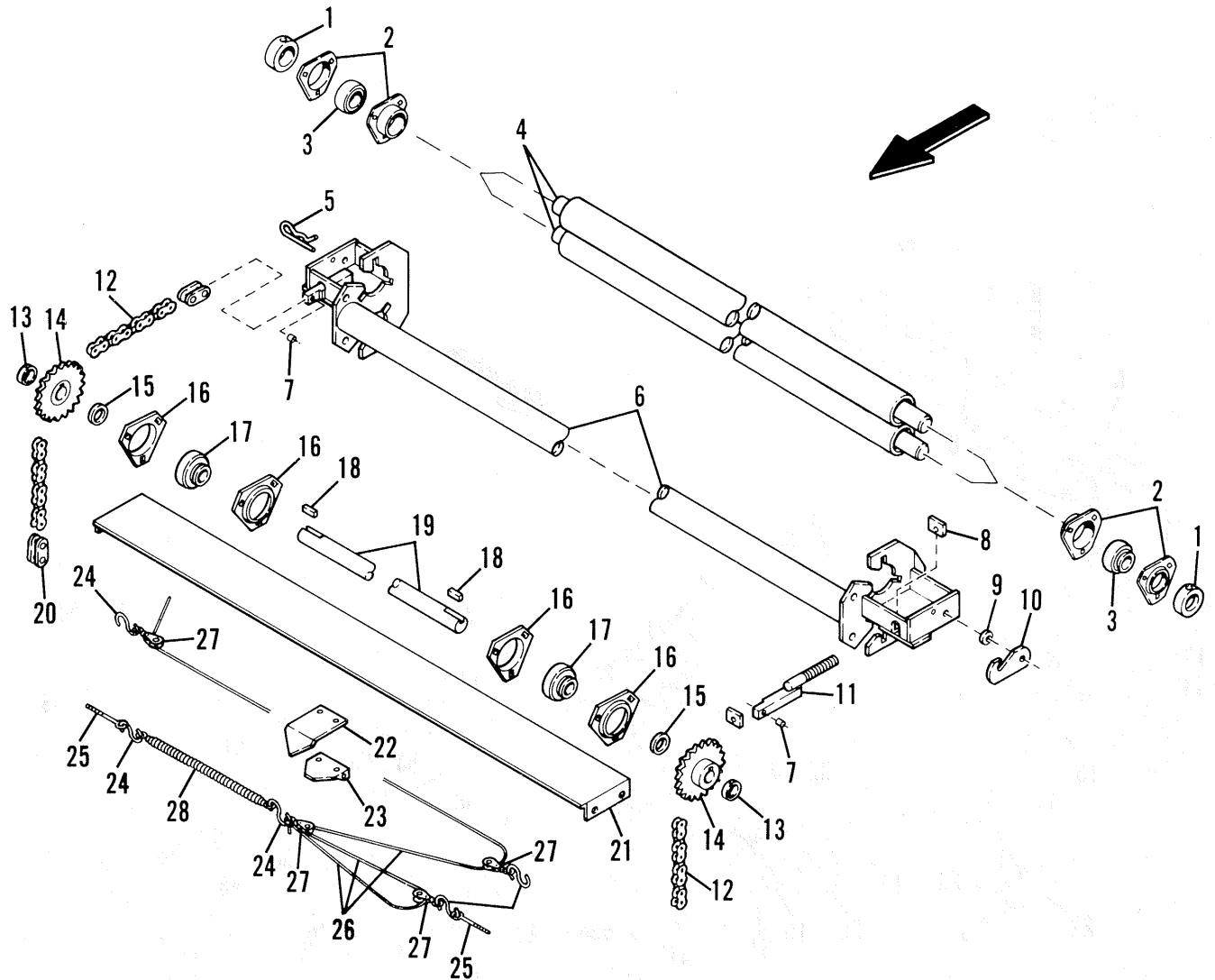
CLICK HERE TO **DOWNLOAD** THE COMPLETE MANUAL

RIGHT TWINE BOX



REF. NO.	PART NO.	PART NAME	NO. REQ.	REF. NO.	PART NO.	PART NAME	NO. REQ.
01	087599	TWINE BOX COVER RT.	1	08	076892	TWINE BRAKE	1
	650486	CS 5/16X3/4 (N,L)	3	09	084680	TWINE TENSION MOUNT	1
02	077843	TWINE BOX SIDE RT.	1		650949	STHM 5/16X3/4	2
	650490	CS 3/8X1 (N,L,2P)	1	10	M12361	TENSIONER SPRING	2
	650949	STHM 5/16X3/4 (N,L) ...	6		650449	CS 1/4X2-1/2 (LN,P) ...	2
03	079878	LATCH	1	11	077847	DIVIDER	1
	650812	RHMS #12-24X1/2 (N,L) .	3		650949	STHM 5/16X3/4	4
04	077845	TWINE BOX BACK RT.	1	12	077846	DIVIDER	2
	650490	CS 3/8X1	1		650949	STHM 5/16X3/4	8
05	077848	GUIDE MOUNT	1	13	077844	TWINE BOX SIDE INNER RT.	1
06	059721	ROPE GUIDE	1		650949	STHM 5/16X3/4	3
07	B11069	U-BOLT	1				
		(2) 5/16 LN					

SHUTTLE & BALE SIZE INDICATOR



REF. NO.	PART NO.	PART NAME	NO. REQ.	REF. NO.	PART NO.	PART NAME	NO. REQ.
01	520085	COLLAR	4	14	070701	SPROCKET (21T)	2
02	027003	BEARING RETAINER	8	15	H 7165	WASHER	4
	650704	CB 3/8X1 (LN,P)	12	16	077526	BEARING RETAINER	4
03	520065	BEARING	4		650704	CB 3/8X1 (N,L)	6
04	071768	SHUTTLE ROLLER	2	17	057179	BEARING	2
05	9H 300	HAIR PIN COTTER PIN	2	18	066160	SQUARE KEY 5/16X2	2
06	071981	SHUTTLE	1	19	071986	STABILIZER SHAFT	1
	650834	CB 1/2X1-1/2 (N,JN)	2	20	070643	PLAIN LINK (CA2060)	4
07	078060	CHAIN BUSHING	2	21	087100	REWRAP ANGLE	1
08	059720	TAKEUP RETAINER	2		650060	CS 3/8X1 (L,N)	4
	650487	CS 5/16X1 (N,L)	1	22	066173	BALE SIZE INDICATOR	1
09	055142	SPRING WASHER	2		650490	CS 3/8X1 (N,L,P)	1
10	057980	HOOK	2	23	066174	INDICATOR BASE	1
	650495	CS 1/2X1-1/4 (NILN)	2	24	B11433A	S-HOOK	5
11	070730	CHAIN TAKEUP	1		650491	CS 3/8X1-1/4 (N,L,P)	1
		(2) 3/4 N		25	065811	EYEBOLT	2
12	071942	ROLLER CHAIN (#60) OF				(4) 5/16 N, (2) P	
		89 LINKS ONLY	2	26	070607	CORD 3/16X198"	1
13	074408	COLLAR	2	27	071660	PULLEY	4
	650706	CS 1/4X2 (LN)	2	28	078295	EXTENSION SPRING	1

TOTAL DENSITY CONTROL

REF. NO.	PART NO.	PART NAME	NO. REQ.	REF. NO.	PART NO.	PART NAME	NO. REQ.
01	059453	CLAMP	1	33	070625	HOSE 46"	1
	650528	CS 3/8X2 (LN)	1	34	071938	HYDRAULIC TUBE	1
02	072171	SPACER	1	35	058613	HOSE 33"	1
03	072172	SPACER	1	36	070620	HOSE 34"	1
04	9H 240	CAP SCREW GR.2 1/2X1	2	37	540020	RETAINING RING	2
	570019	GREASE FITTING (2) 1/2 L	2	38	H 267A	WASHER	2
05	065663	WASHER	2	39	059424	O-RING	2
06	B11162B	WASHER	5	40	076552	MANIFOLD	1
07	072168	TRIP ARM	1	41	070789	VALVE SPOOL	1
08	061529	WASHER	4	42	070788	MANIFOLD BRACKET	1
09	053342	OIL SEAL	4		650733	CS 5/16X2-1/2 (N,L)	2
10	051250	NEEDLE BEARING	2		650704	CS 3/8X1 (N,L)	2
11	070758	SPROCKET (16T)	2	43	064669	STRAIGHT UNION TEE	1
12	070779	ACCUMULATOR STRAP	2	44	076551	MANIFOLD-ASSEMBLED	1
13	056773	HOSE CLAMP	5		650535	CS 3/8X2-1/4 (LN)	1
	650488	CS 3/8X3/4 (N,L)	2	45	071741	STOP BRACKET	1
14	B11343	WASHER	2		650492	CS 3/8X2-1/2 (2N)	2
	650773	CB 3/8X1-1/2 (N,L,3P)	1	46	071739	VALVE TRIP	1
	650704	CB 3/8X1 (N,L,P)	1		650491	CS 3/8X1-1/4 (2N)	1
15	070612	TANK VALVE	1	47	U10014B	EXTENSION SPRING	1
16	070644a	SLEEVE	2	48	070619	90 MALE ELBOW	1
17	070610	MALE 90 UNION	2		652053	CB 3/8X2 (N,L,2P)	1
18	055896	O-RING	2	49	580116	90 MALE ELBOW	1
19	070775	90 ELBOW	1	50	651022	PIPE NIPPLE 1/4 X 4"	1
20	070638	RELIEF VALVE 250 PSI	1	51	070633b	CARTRIDGE VALVE	1
21	070752	O-RING	1	52	076788	1/4 FEMALE UNION	1
22	070609	ADAPTER	1	53	071415	VAC RELIEF FITTING	1
23	073513	OIL LEVEL TUBE	1		070777	300 PSI GAUGE	1
24	077826	RESERVOIR (INCLUDES 071588 MAGNET)	1	54	074779	ANCHOR CAP	1
25	042598	90 SWIVEL ADAPTER UNION	1	55	077950	SERVICE KIT	1
26	070778	ANGLE	1	56	064331	3/4 LN	1
27	070765	PIN	2	57	077949	PISTON	1
28	070757	SPACER	2	58	074784	TDC TUBE	1
	650710	CS 5/8X2-1/4 (N,L,4P)	2	59	074785	TIE ROD (4) 1/2LN	4
29	077954	TIE ROD CYLINDER 3X25 - ASSEMBLED	2	60	077952	ROD CAP	1
30	074792	CYLINDER STRAP	1	61	074755	TDC CYLINDER ROD	1
	650704	CB 3/8X1 (N,L)	2				
31	074793	SUPPORT ANGLE	1				
32	070631	HOSE 15"	1				

a) INCLUDED W/070610 MALE UNION
b) FOR SEAL KIT, ORDER 072855. FOR SERVICE, ORDER KIT 076699 WHICH INCLUDES STEEL BALL & INSTRUCTIONS

OPTIONS & ACCESSORIES

REF. NO.	PART NO.	PART NAME	NO. REQ.	REF. NO.	PART NO.	PART NAME	NO. REQ.
	804102	AUTO-ELECTRIC TWINE WRAPPING SYSTEM	1	13	064031	RIVET	2
		CONSISTS OF:		14	076661	YOKE CLAMP	2
01	076671	MAGNET MOUNT	1		650585	CS 1/2X2 (LN)	1
	650394	RHMS #6-32X1/2 (N,L,P)	2	15	088339a	ACTUATOR	1
02	074428	MAGNETIC SWITCH ASSY ...	1		650650	CS 1/2X3-1/2 (2LN)	1
	651034	RHMS 6-32X1-1/4	2	16	076655	INSUL. SHOULDER WASHER	2
03	076669	SWITCH MOUNT	1		650386	RHMS #8-32X1 (4N,2LW) .	1
	650949	THMS 5/16X3/4 (4N,4L) .	2	17	067880	HOSE CLAMP	1
04	U 10023	SPRING	2	18	088342	BALER HARNESS	1
05	088344	GROUND WIRE SIZE SENSOR	1	19	088340	AUTO-ELEC CONTROL BOX ..	1
06	058615	HOSE CLAMP	2		656048	M8-1.25 METRIC NUT	2
07	076668	PLUNGER SWITCH	1	20	088341	POWER HARNESS	1
08	076662	SWITCH MOUNT ASSY	1	21	088343	GROUND WIRE GATE SENSOR	1
	650487	CS 5/16X1 (N,L)	2	22	088345	MOUNTING BRACKET	1
09	052588	SHIM	AR	23	067040	MAGNET	3
10	088338	TWINE TIE BRACKET	1		650548	RHMS #10-24X1/2 (N,L) .	6
11	059075	HOSE CLAMP	2				
12	088346	TWINE BRAKE	1				

a) FOR REPAIR, SEE SEPARATE BREAKDOWN

CLICK HERE TO **DOWNLOAD** THE COMPLETE MANUAL

- Thank you very much for reading the preview of the manual.
- You can download the complete manual from: www.heydownloads.com by clicking the link below



- Please note: If there is no response to CLICKING the link, please download this PDF first and then click on it.

CLICK HERE TO **DOWNLOAD** THE COMPLETE MANUAL