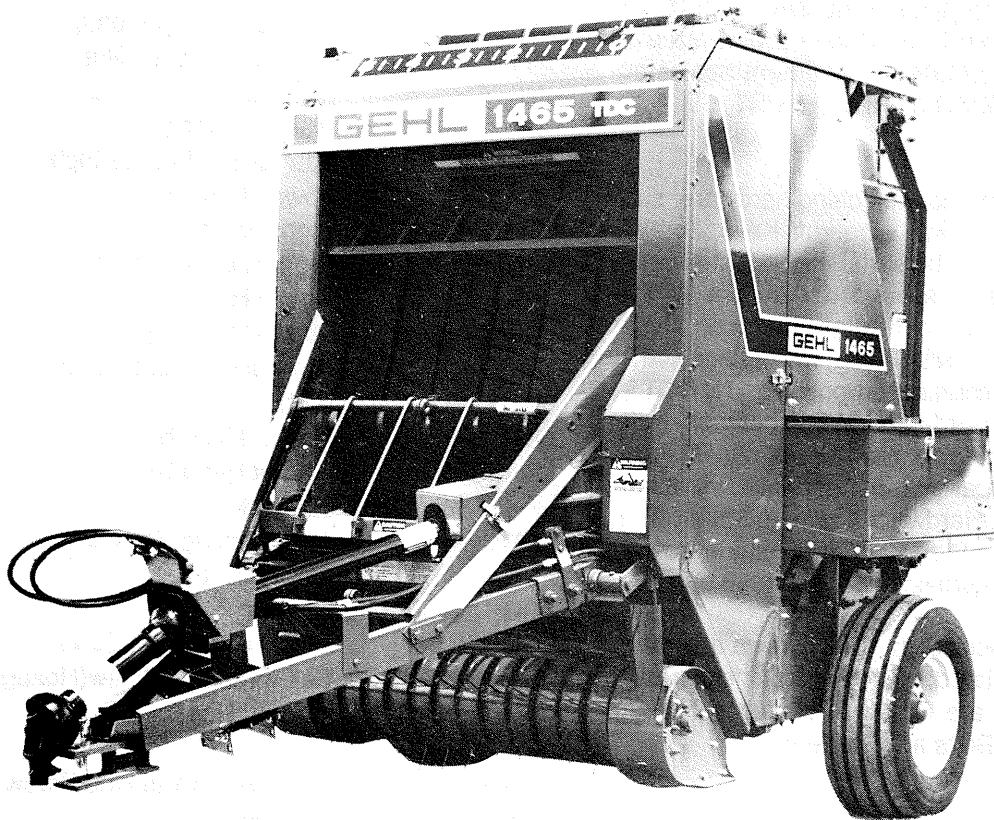


# 1465

## Variable Chamber Round Baler



### SERVICE PARTS MANUAL

Form No.  
904113

GEHL<sup>®</sup> COMPANY

CLICK HERE TO **DOWNLOAD** THE COMPLETE MANUAL

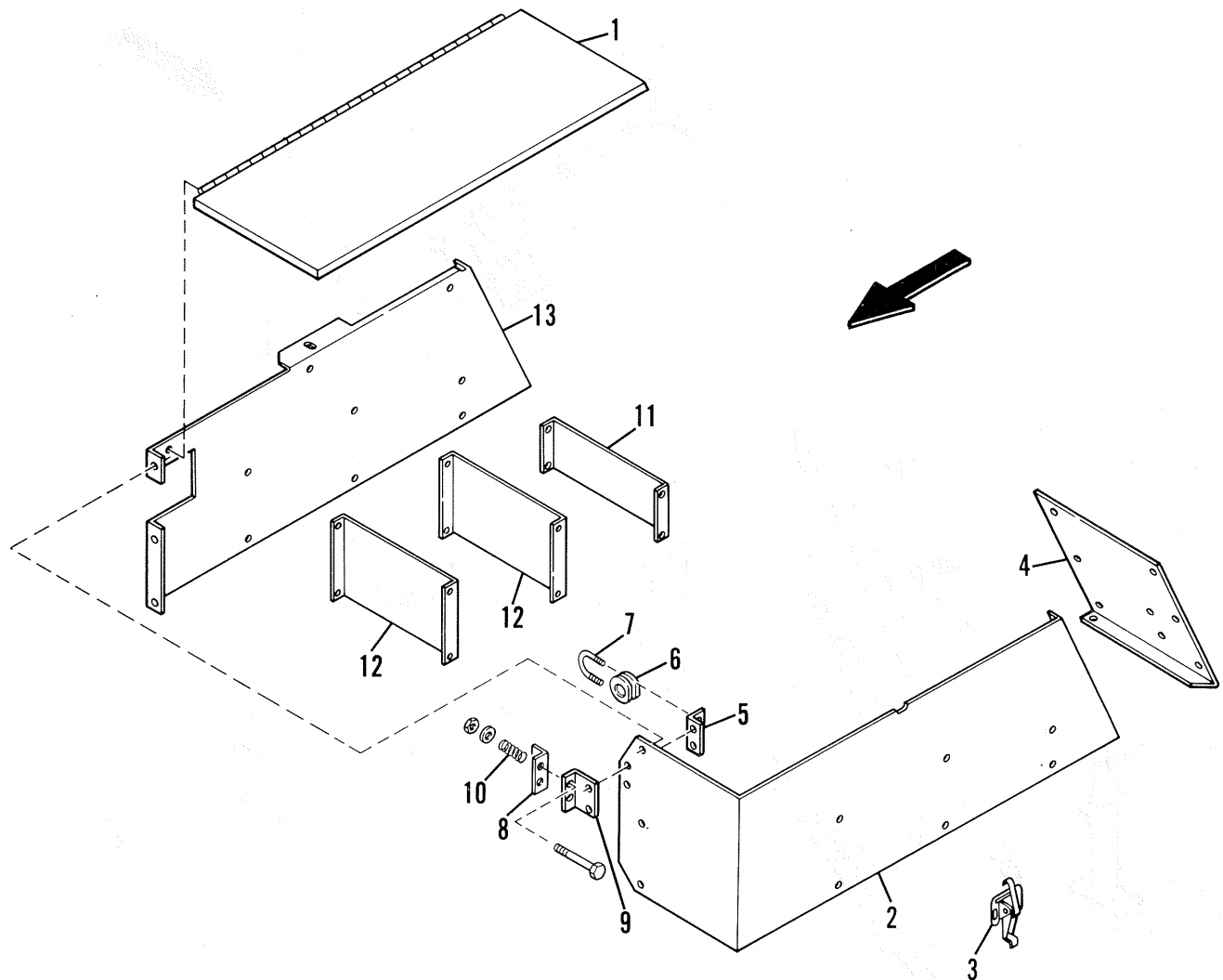
- Thank you very much for reading the preview of the manual.
- You can download the complete manual from: [www.heydownloads.com](http://www.heydownloads.com) by clicking the link below



- Please note: If there is no response to CLICKING the link, please download this PDF first and then click on it.

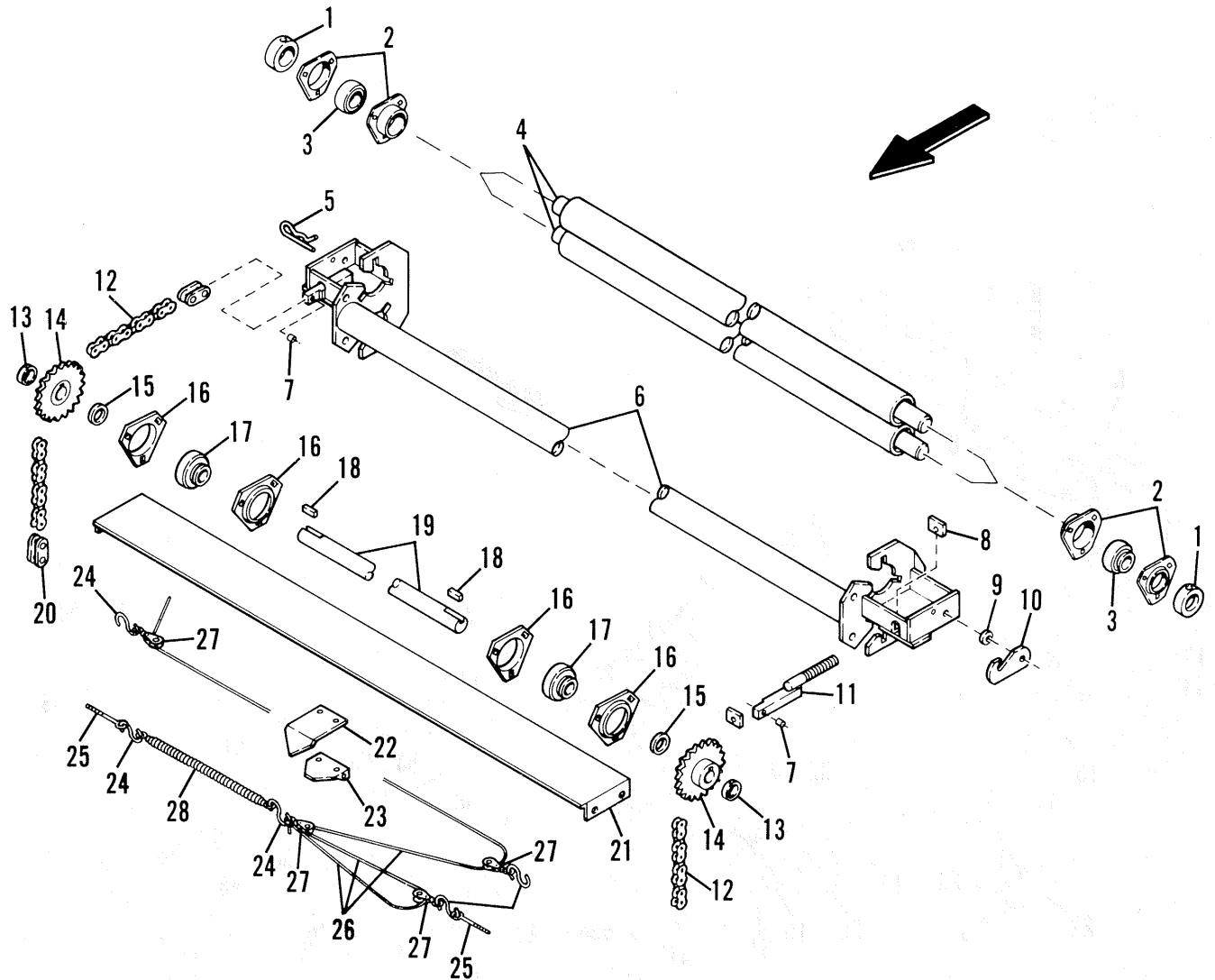
CLICK HERE TO **DOWNLOAD** THE COMPLETE MANUAL

# RIGHT TWINE BOX



| REF. NO. | PART NO. | PART NAME                | NO. REQ. | REF. NO. | PART NO. | PART NAME                | NO. REQ. |
|----------|----------|--------------------------|----------|----------|----------|--------------------------|----------|
| 01       | 087599   | TWINE BOX COVER RT. .... | 1        | 08       | 076892   | TWINE BRAKE .....        | 1        |
|          | 650486   | CS 5/16X3/4 (N,L) .....  | 3        | 09       | 084680   | TWINE TENSION MOUNT .... | 1        |
| 02       | 077843   | TWINE BOX SIDE RT. ....  | 1        |          | 650949   | STHM 5/16X3/4 .....      | 2        |
|          | 650490   | CS 3/8X1 (N,L,2P) .....  | 1        | 10       | M12361   | TENSIONER SPRING .....   | 2        |
|          | 650949   | STHM 5/16X3/4 (N,L) ...  | 6        |          | 650449   | CS 1/4X2-1/2 (LN,P) ...  | 2        |
| 03       | 079878   | LATCH .....              | 1        | 11       | 077847   | DIVIDER .....            | 1        |
|          | 650812   | RHMS #12-24X1/2 (N,L) .  | 3        |          | 650949   | STHM 5/16X3/4 .....      | 4        |
| 04       | 077845   | TWINE BOX BACK RT. ....  | 1        | 12       | 077846   | DIVIDER .....            | 2        |
|          | 650490   | CS 3/8X1 .....           | 1        |          | 650949   | STHM 5/16X3/4 .....      | 8        |
| 05       | 077848   | GUIDE MOUNT .....        | 1        | 13       | 077844   | TWINE BOX SIDE INNER RT. | 1        |
| 06       | 059721   | ROPE GUIDE .....         | 1        |          | 650949   | STHM 5/16X3/4 .....      | 3        |
| 07       | B11069   | U-BOLT .....             | 1        |          |          |                          |          |
|          |          | (2) 5/16 LN              |          |          |          |                          |          |

# SHUTTLE & BALE SIZE INDICATOR



| REF. NO. | PART NO. | PART NAME             | NO. REQ. | REF. NO. | PART NO. | PART NAME            | NO. REQ. |
|----------|----------|-----------------------|----------|----------|----------|----------------------|----------|
| 01       | 520085   | COLLAR                | 4        | 14       | 070701   | SPROCKET (21T)       | 2        |
| 02       | 027003   | BEARING RETAINER      | 8        | 15       | H 7165   | WASHER               | 4        |
|          | 650704   | CB 3/8X1 (LN,P)       | 12       | 16       | 077526   | BEARING RETAINER     | 4        |
| 03       | 520065   | BEARING               | 4        |          | 650704   | CB 3/8X1 (N,L)       | 6        |
| 04       | 071768   | SHUTTLE ROLLER        | 2        | 17       | 057179   | BEARING              | 2        |
| 05       | 9H 300   | HAIR PIN COTTER PIN   | 2        | 18       | 066160   | SQUARE KEY 5/16X2    | 2        |
| 06       | 071981   | SHUTTLE               | 1        | 19       | 071986   | STABILIZER SHAFT     | 1        |
|          | 650834   | CB 1/2X1-1/2 (N,JN)   | 2        | 20       | 070643   | PLAIN LINK (CA2060)  | 4        |
| 07       | 078060   | CHAIN BUSHING         | 2        | 21       | 087100   | REWRAP ANGLE         | 1        |
| 08       | 059720   | TAKEUP RETAINER       | 2        |          | 650060   | CS 3/8X1 (L,N)       | 4        |
|          | 650487   | CS 5/16X1 (N,L)       | 1        | 22       | 066173   | BALE SIZE INDICATOR  | 1        |
| 09       | 055142   | SPRING WASHER         | 2        |          | 650490   | CS 3/8X1 (N,L,P)     | 1        |
| 10       | 057980   | HOOK                  | 2        | 23       | 066174   | INDICATOR BASE       | 1        |
|          | 650495   | CS 1/2X1-1/4 (NILN)   | 2        | 24       | B11433A  | S-HOOK               | 5        |
| 11       | 070730   | CHAIN TAKEUP          | 1        |          | 650491   | CS 3/8X1-1/4 (N,L,P) | 1        |
|          |          | (2) 3/4 N             |          | 25       | 065811   | EYEBOLT              | 2        |
| 12       | 071942   | ROLLER CHAIN (#60) OF |          |          |          | (4) 5/16 N, (2) P    |          |
|          |          | 89 LINKS ONLY         | 2        | 26       | 070607   | CORD 3/16X198"       | 1        |
| 13       | 074408   | COLLAR                | 2        | 27       | 071660   | PULLEY               | 4        |
|          | 650706   | CS 1/4X2 (LN)         | 2        | 28       | 078295   | EXTENSION SPRING     | 1        |

## TOTAL DENSITY CONTROL

| REF. NO. | PART NO. | PART NAME                             | NO. REQ. | REF. NO. | PART NO. | PART NAME            | NO. REQ. |
|----------|----------|---------------------------------------|----------|----------|----------|----------------------|----------|
| 01       | 059453   | CLAMP                                 | 1        | 33       | 070625   | HOSE 46"             | 1        |
|          | 650528   | CS 3/8X2 (LN)                         | 1        | 34       | 071938   | HYDRAULIC TUBE       | 1        |
| 02       | 072171   | SPACER                                | 1        | 35       | 058613   | HOSE 33"             | 1        |
| 03       | 072172   | SPACER                                | 1        | 36       | 070620   | HOSE 34"             | 1        |
| 04       | 9H 240   | CAP SCREW GR.2 1/2X1                  | 2        | 37       | 540020   | RETAINING RING       | 2        |
|          | 570019   | GREASE FITTING<br>(2) 1/2 L           | 2        | 38       | H 267A   | WASHER               | 2        |
| 05       | 065663   | WASHER                                | 2        | 39       | 059424   | O-RING               | 2        |
| 06       | B11162B  | WASHER                                | 5        | 40       | 076552   | MANIFOLD             | 1        |
| 07       | 072168   | TRIP ARM                              | 1        | 41       | 070789   | VALVE SPOOL          | 1        |
| 08       | 061529   | WASHER                                | 4        | 42       | 070788   | MANIFOLD BRACKET     | 1        |
| 09       | 053342   | OIL SEAL                              | 4        |          | 650733   | CS 5/16X2-1/2 (N,L)  | 2        |
| 10       | 051250   | NEEDLE BEARING                        | 2        |          | 650704   | CS 3/8X1 (N,L)       | 2        |
| 11       | 070758   | SPROCKET (16T)                        | 2        | 43       | 064669   | STRAIGHT UNION TEE   | 1        |
| 12       | 070779   | ACCUMULATOR STRAP                     | 2        | 44       | 076551   | MANIFOLD-ASSEMBLED   | 1        |
| 13       | 056773   | HOSE CLAMP                            | 5        |          | 650535   | CS 3/8X2-1/4 (LN)    | 1        |
|          | 650488   | CS 3/8X3/4 (N,L)                      | 2        | 45       | 071741   | STOP BRACKET         | 1        |
| 14       | B11343   | WASHER                                | 2        |          | 650492   | CS 3/8X2-1/2 (2N)    | 2        |
|          | 650773   | CB 3/8X1-1/2 (N,L,3P)                 | 1        | 46       | 071739   | VALVE TRIP           | 1        |
|          | 650704   | CB 3/8X1 (N,L,P)                      | 1        |          | 650491   | CS 3/8X1-1/4 (2N)    | 1        |
| 15       | 070612   | TANK VALVE                            | 1        | 47       | U10014B  | EXTENSION SPRING     | 1        |
| 16       | 070644a  | SLEEVE                                | 2        | 48       | 070619   | 90 MALE ELBOW        | 1        |
| 17       | 070610   | MALE 90 UNION                         | 2        |          | 652053   | CB 3/8X2 (N,L,2P)    | 1        |
| 18       | 055896   | O-RING                                | 2        | 49       | 580116   | 90 MALE ELBOW        | 1        |
| 19       | 070775   | 90 ELBOW                              | 1        | 50       | 651022   | PIPE NIPPLE 1/4 X 4" | 1        |
| 20       | 070638   | RELIEF VALVE 250 PSI                  | 1        | 51       | 070633b  | CARTRIDGE VALVE      | 1        |
| 21       | 070752   | O-RING                                | 1        | 52       | 076788   | 1/4 FEMALE UNION     | 1        |
| 22       | 070609   | ADAPTER                               | 1        | 53       | 071415   | VAC RELIEF FITTING   | 1        |
| 23       | 073513   | OIL LEVEL TUBE                        | 1        |          | 070777   | 300 PSI GAUGE        | 1        |
| 24       | 077826   | RESERVOIR<br>(INCLUDES 071588 MAGNET) | 1        | 54       | 074779   | ANCHOR CAP           | 1        |
| 25       | 042598   | 90 SWIVEL ADAPTER UNION               | 1        | 55       | 077950   | SERVICE KIT          | 1        |
| 26       | 070778   | ANGLE                                 | 1        | 56       | 064331   | 3/4 LN               | 1        |
| 27       | 070765   | PIN                                   | 2        | 57       | 077949   | PISTON               | 1        |
| 28       | 070757   | SPACER                                | 2        | 58       | 074784   | TDC TUBE             | 1        |
|          | 650710   | CS 5/8X2-1/4 (N,L,4P)                 | 2        | 59       | 074785   | TIE ROD<br>(4) 1/2LN | 4        |
| 29       | 077954   | TIE ROD CYLINDER 3X25<br>- ASSEMBLED  | 2        | 60       | 077952   | ROD CAP              | 1        |
| 30       | 074792   | CYLINDER STRAP                        | 1        | 61       | 074755   | TDC CYLINDER ROD     | 1        |
|          | 650704   | CB 3/8X1 (N,L)                        | 2        |          |          |                      |          |
| 31       | 074793   | SUPPORT ANGLE                         | 1        |          |          |                      |          |
| 32       | 070631   | HOSE 15"                              | 1        |          |          |                      |          |

a) INCLUDED W/070610 MALE UNION  
b) FOR SEAL KIT, ORDER 072855. FOR SERVICE, ORDER KIT 076699 WHICH INCLUDES STEEL BALL & INSTRUCTIONS

## OPTIONS & ACCESSORIES

| REF. NO. | PART NO. | PART NAME                                 | NO. REQ. | REF. NO. | PART NO. | PART NAME                | NO. REQ. |
|----------|----------|---|----------|----------|----------|--------------------------|----------|
|          | 804102   | AUTO-ELECTRIC TWINE WRAPPING SYSTEM ..... | 1        | 13       | 064031   | RIVET .....              | 2        |
|          |          | CONSISTS OF:                              |          | 14       | 076661   | YOKE CLAMP .....         | 2        |
| 01       | 076671   | MAGNET MOUNT .....                        | 1        |          | 650585   | CS 1/2X2 (LN) .....      | 1        |
|          | 650394   | RHMS #6-32X1/2 (N,L,P)                    | 2        | 15       | 088339a  | ACTUATOR .....           | 1        |
| 02       | 074428   | MAGNETIC SWITCH ASSY ...                  | 1        |          | 650650   | CS 1/2X3-1/2 (2LN) ....  | 1        |
|          | 651034   | RHMS 6-32X1-1/4 .....                     | 2        | 16       | 076655   | INSUL. SHOULDER WASHER   | 2        |
| 03       | 076669   | SWITCH MOUNT .....                        | 1        |          | 650386   | RHMS #8-32X1 (4N,2LW) .  | 1        |
|          | 650949   | THMS 5/16X3/4 (4N,4L) .                   | 2        | 17       | 067880   | HOSE CLAMP .....         | 1        |
| 04       | U 10023  | SPRING .....                              | 2        | 18       | 088342   | BALER HARNESS .....      | 1        |
| 05       | 088344   | GROUND WIRE SIZE SENSOR                   | 1        | 19       | 088340   | AUTO-ELEC CONTROL BOX .. | 1        |
| 06       | 058615   | HOSE CLAMP .....                          | 2        |          | 656048   | M8-1.25 METRIC NUT ....  | 2        |
| 07       | 076668   | PLUNGER SWITCH .....                      | 1        | 20       | 088341   | POWER HARNESS .....      | 1        |
| 08       | 076662   | SWITCH MOUNT ASSY .....                   | 1        | 21       | 088343   | GROUND WIRE GATE SENSOR  | 1        |
|          | 650487   | CS 5/16X1 (N,L) .....                     | 2        | 22       | 088345   | MOUNTING BRACKET .....   | 1        |
| 09       | 052588   | SHIM .....                                | AR       | 23       | 067040   | MAGNET .....             | 3        |
| 10       | 088338   | TWINE TIE BRACKET .....                   | 1        |          | 650548   | RHMS #10-24X1/2 (N,L) .  | 6        |
| 11       | 059075   | HOSE CLAMP .....                          | 2        |          |          |                          |          |
| 12       | 088346   | TWINE BRAKE .....                         | 1        |          |          |                          |          |

a) FOR REPAIR, SEE SEPARATE BREAKDOWN

CLICK HERE TO **DOWNLOAD** THE COMPLETE MANUAL

- Thank you very much for reading the preview of the manual.
- You can download the complete manual from: [www.heydownloads.com](http://www.heydownloads.com) by clicking the link below



- Please note: If there is no response to CLICKING the link, please download this PDF first and then click on it.

CLICK HERE TO **DOWNLOAD** THE COMPLETE MANUAL