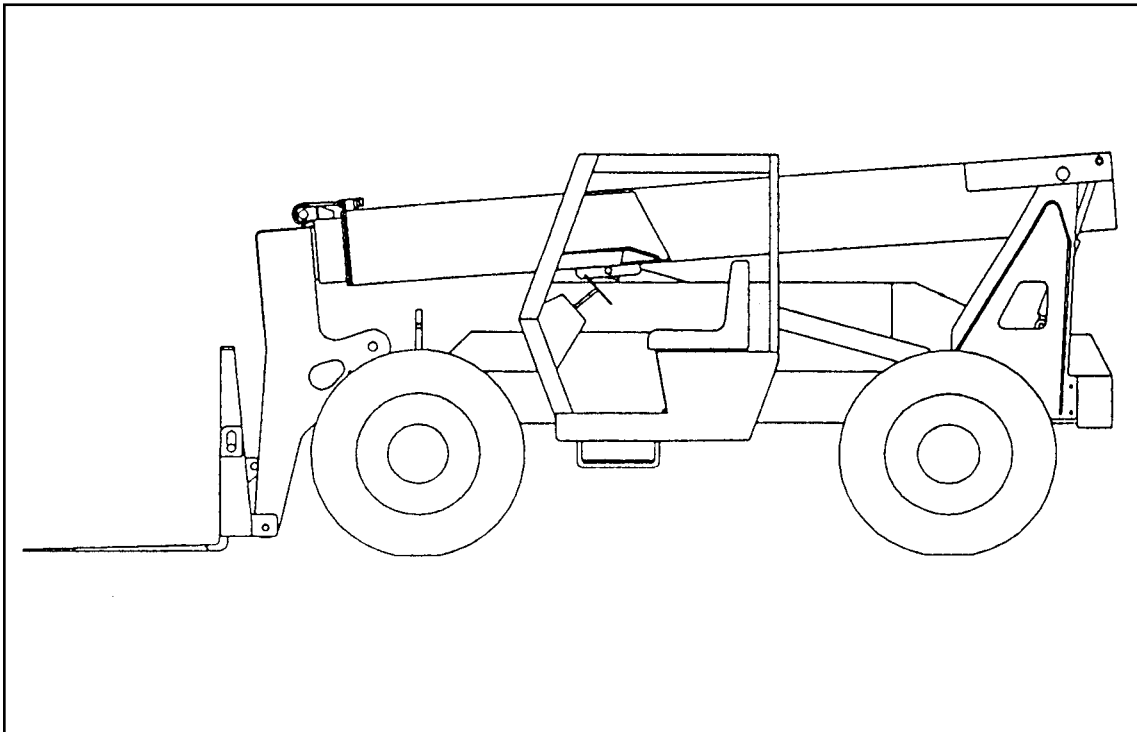


Form No.  
907366  
Replaces  
906148

# 1083

## **Dynalift<sup>®</sup>** **Telescopic** **Forklift**



# SERVICE PARTS

**GENIE<sup>®</sup>**

CLICK HERE TO **DOWNLOAD** THE COMPLETE MANUAL

- Thank you very much for reading the preview of the manual.
- You can download the complete manual from: [www.heydownloads.com](http://www.heydownloads.com) by clicking the link below



- Please note: If there is no response to CLICKING the link, please download this PDF first and then click on it.

CLICK HERE TO **DOWNLOAD** THE COMPLETE MANUAL

**Inside Operator Station Area**  
**Units Thru S/N 2533**

Ref. No.	Part No.	Description	Qty. Req.	Ref. No.	Part No.	Description	Qty. Req.
<i>NOTE: Decals may be ordered as kit or individually.</i>				12	094951	MADE IN U.S.A. ....	1
01	L500176	DECAL KIT - 1083		13	L65440	WARNING - SEAT BELT ....	1
	L65934	BRAKE FLUID LEVEL ..... 1 (On Seat Mount Panel)	1	14	L65922	OPER. MANUAL INSIDE ....	1
02	L65928	DANGER - PERSONNEL LIFT....	1	15	L64815	IGN. SW./START BUTTON....	1
03	L66042	WARNING - TRUSS BOOM TILT ..	1	16	L64816	PARK BRAKE LT./HORN BUTT....	1
04	093475	WARNING - CARRY LOAD LOW ..	1	17	L60936	F-N-R SHIFT .....	1
05	L65930	WARNING - MACHINE LEVEL....	1	18	L64945	1-2-3 SHIFT .....	1
06	L65929	DANGER - HIGH VOLTAGE.....	1	19	L64797	CLUTCH DUMP SWITCH .....	1
07	L65948	DANGER - PANEL IN PLACE ....	1	20	L64814	STEER SELECT .....	1
08	L64810	FRAME LEVEL CONTROL.....	1	21	L65224	GEHL, 2" DIA. ....	1
09	L64812	BOOM CONTROL .....	1	22	L65923	WARNING - BRAKE FAILURE....	1
10	L65208	ATTACHMENT CONTROL .....	1	23	L64643	HYD. PRESS. SETTINGS .....	1
11	L98783	LOAD CHART ASY. - INCL:		24	L65925	WARNING - PARK BRAKE.....	1
	L65854	STANDARD CARRIAGE .....	1	25	L63690	WARNING - OPERATOR .....	1
	L65871	15 FT. TRUSS BOOM.....	1	26	L65138	OUTRIGGERS CONTROL .....	1
	L65875	SWING CARRIAGE .....	1	27	082346	ROPS GEHL STRIP.....	1
	L65872	WINCH .....	1	28	L65512	AUTO TROLL RPM .....	1
	L65873	BUCKET.....	1	29	L68513	IGNITION/HORN .....	1
	L65874	6 FT. MAST EXTENSION .....	1				
	L65877	ROTATING CARRIAGE.....	1				

**Operator's Station - Floor Area**

Ref. No.	Part No.	Description	Qty. Req.	Ref. No.	Part No.	Description	Qty. Req.
01	L580009	BALL JOINT.....	1	11	L400265	ACCEL.PEDAL WELD.....	1
02	L64770	BRAKE PEDAL WELD.....	1		L50367	CAP SCREW 3/8-16X1.....	2
	L50261	CAP SCREW 3/8-16X1-1/2.....	2	12	L400270	PIVOT ARM WELD.....	1
	L520005	3/8-16 NYLON INSERT NUT.....	2	13	L561004	SPRING.....	1
03	L561004	SPRING.....	1	14	L806001	SPLIT-BABBITTED BRG.....	1
04	L64774	PIVOT ARM WELD.....	1		L10151	GREASE ZERK.....	1
05	L806001	SPLIT BABBITTED BRG.....	4		L52026	BUTT. HD. BOLT 3/8-16X1-1/4 ...	2
	L10151	GREASE ZERK.....	4	15	L580008	BALL JOINT.....	1
	L52026	BUTT. HD. BOLT 3/8-16X1-1/4 ...	8	16	L64463	THROTTLE CABLE.....	1
	L520005	3/8-16 NYLON INSERT NUT.....	8	17	L66606	BRACKET (J.D.).....	1
06	L41770	CLAMP.....	1		L64041	BRACKET (Perk. 4.236).....	1
07	L64765	LINKAGE BAR.....	2		L66523	BRACKET (Perk 4.0L).....	1
		Thru S/N 2597		18	L64664	COUPLER (J.D.).....	1
07	L66815	BRAKE LINK.....	1	19	L64663	EXTEND ROD (J.D.).....	1
		S/N 2598 & Up			L50050	#10-32 NUT.....	4
	L44859	CLEVIS PIN 1/2X27/64.....	2	20	L41770	CLAMP.....	1
	L50607	COTTER PIN 1/8X1.....	2		L50056	5/16-18 SERR. FLNG. NUT.....	1
08	L64772	BRAKE SHIFT WELD.....	1	21	L630004	GROUND STRAP.....	1
09	L64890	BRAKE LIGHT SW.....	1		L50056	5/16-18 SERR. FLNG. NUT.....	2
10 <sup>a</sup>		POWER BRK.BOOSTER ASY....	1				
	L99113	Thru S/N 2597					
	L66814	S/N 2598 & Up					
	L50261	CAP SCREW 3/8-16X1-1/2.....	4				
	L520005	3/8-16 NYLON INSERT NUT.....	4				

a Refer to Axles & Service Brakes Pages for Breakdown

**Cab Assembly w/o Air Conditioning (part 1)**

Ref. No.	Part No.	Description	Qty. Req.	Ref. No.	Part No.	Description	Qty. Req.
01	L66342	RT.WIRE TUBE, 36"	1	10	L61199	BLADE ARM	1
	L47212	CLAMP, 3/8"	2	11	L61200	WIPER BLADE	1
	L50208	1/4-20X1/2 HX HD SCREW.	2	12		DEFROST FAN W/SW.	1
	L66341	LT.WIRE TUBE, 18"	1		L61190	Thru S/N 2660	
	L47212	CLAMP, 3/8"	1		L66986	S/N 2661 & Up	
	L50208	1/4-20X1/2 HX HD SCREW.	1	13	L64672	HINGE STUDE 5/16X3-7/8.	2
02	L65346	TOP WELDMENT	1		L50755	5/16-18 ACORN NUT	4
	L99138	FOAM STRIP 1 /4X1/2	120"	14		ETHER KIT (Incl.Sw.)	1
	L50823	CAP SCREW 5/16-18X1	9		L66855	For John Deere Engines	
	L50056	5/16-18 SERR. FLNG. NUT.	9		L66961	For Perkins Engines	
03	L65325	TOP WINDOW WELD	1		L52025	BUTTON HD BOLT 5/16-18X3/4	2
04	L66660	TOP GLASS.	1		L50056	516-18 SERR. FLNG. NUT	2
05	L99137	RUBBER GASKET	150"	15		DEFROSTER MT. PLATE.	1
06	L65342	FRONT GLASS PANEL	1		L65882	Thru S/N 2660	
	L50230	CAP SCREW 5/16-18X3/4	3		L66993	S/N 2661 & Up	
	L50056	5/16-18 SERR. FLNG. NUT.	3		L50208	SELF TAP SCREW 1/4-20X1/2	2
	L50226	SELF TAP SCREW 5/16-18X1	6	16	L500318	VINYL STRIP	84"
07	L66661	FRONT GLASS	1	17	L65298	TOP PANEL w/ GLASS ASY	1
08	L99318	RUBBER GASKET	120"			(incls. items 3,4 & 5)	
09	L61198	WIPER MOTOR W/SWITCH, 1-spd	1	18	L65447	FRONT PANEL w/ GLASS ASY.	1
		Thru S/N 2604				(incls. items 6, 7 & 8)	
	L66843	2-SPEED WIPER MOTOR	1				
		S/N 2605 & Up					
	L50226	SELF TAP SCREW 5/16-18X1	1				
	L50145	3/8 PLAIN WASHER	1				
	L50141	5/16 PLAIN WASHER	6				
	L50155	5/8 PLAIN WASHER	6				
	L99167	NUT/WASHER/GASKET SET.	1				
	L66735	MOTOR COVER	1				
		S/N 2605 & UP					

Inner Boom Group

Ref. No.	Part No.	Description	Qty. Req.	Ref. No.	Part No.	Description	Qty. Req.
01	L64553	INNER BOOM SECT. WELD.....	1	14	L62715	LOCK TAB.....	4
	L64383	CLEVIS BLOCK ( <i>Weld On</i> ).....	1	15	L61709	SIDE SLIDE PAD 3X4.....	2
02ab		ATTACHMT. TILT CYL.....	1		L50403	CAP SCREW 3/8-16X1-1/4.....	4
	L65405	Thru S/N 2565			L50147	3/8 LOCKWASHER.....	4
	L66665	S/N 2566 & Up		16	L62734	SHIM 1/8X3X4.....	2
03	L48809	BRONZE BUSING 1.50X1.75X1.75... .	4	17	L61709	BOTT. SLIDE PAD 3X4.....	2
04	L62733	SHIM 1/16X3X4.....	AR		L50251	CAP SCREW 3/8-16X3/4.....	4
05	L41770	VINYL CLAMP 3/4".....	2	18	L62715	LOCK TAB.....	2
	L50056	5/16-18 SERR. FLGE. NUT.....	1	19	L64364	LEAF CHAIN.....	2
06	L64551	BUTT END CYL. PIN.....	1	20	L64560	ATTACHMENT PIVOT PIN.....	2
	L50273	CAP SCREW 3/8-16X2-3/4.....	1	21	L50640	ROLL PIN 3/16X1-1/4.....	1
	L520005	3/8-16 NYLON INSERT NUT.....	1	22		DYNATTACH ASY. ( <i>Items 21-25</i> )... .	1
07		HOSE TRAY KIT.....	1		L98704	With Out Outriggers	
		Thru S/N 2595			L98705	With Outriggers	
	L99003	TILT ONLY		23	L66453	LOCK PLATE & PIN ASY.....	1
	L99004	TILT & AUXILLIARY				( <i>Incl. Item 24</i> )	
07	L66758	INNER HOSE TRAY.....	1	24	NSS	LOCK PLATE PIN.....	1
		S/N 2596 & Up		25	L65097	LOCK SPRING.....	1
	L52026	BUT. HD. BOLT 3/8-16X1-1/4.....	1		L65098	SPRING MOUNT.....	1
	L520005	3/8-16 NYLON INSERT NUT.....	1	26	L400193	LOCK FLAT.....	2
08	L64359	ADJUST.CLEVIS.....	1		L50367	CAP SCREW 3/8-16X1.....	2
	L50092	JAM NUT 1-8.....	2		L50147	LOCKWASHER 3/8.....	2
09	L64466	CLEVIS PIN.....	2	27	L64559	ROD END PIVOT PIN.....	1
	L560003	COTTER PIN 3/32X1-1/4.....	2		L50273	CAP SCREW 3/8-16X2-3/4.....	1
10	L64364	LEAF CHAIN 179-1/4".....	1		L520005	3/8-16 NYLON INSERT NUT.....	1
11	L64467	REAR CHAIN PIN.....	1	28	L66456	LOCK BUSHING.....	2
	L50371	COTTER PIN 3/32X1-1/4.....	2	29		HOSE SLEEVE.....	1
12	L61709	TOP SLIDE PAD 3X4.....	2		L99134	2.07" X 16"	
		Thru S/N 2596			L99135	1.75" X 16"	
	L50403	CAPSCREW 3/8-16X1-1/4.....	4	30	L64379	HOSE TRAY MOUNT PLATE.....	1
12	L66780	TOP SLIDE PAD 3X8.....	2				
		S/N 2597 & Up		a		<i>Refer to Hydraulic Section For Breakdown.</i>	
	L50403	CAPSCREW 3/8-16X1-1/4.....	8	b		<i>P/N Stamped on Cylinder Tube.</i>	
13	L62734	SHIM 1/8X3X4.....	4				
		Thru S/N 2596					
13	L66782	SHIM 1/16X3X8.....	2				
		S/N 2597 & Up					
	L66783	SHIM 1/8X3X8.....	2				
		S/N 2597 & Up					
	L50261	CAP SCREW 3/8-16X1-1/2".....	8				

**Swing Carriage Attachment Group**  
**Attachment S/N 2781 & Up**

Ref. No.	Part No.	Description	Qty. Req.	Ref. No.	Part No.	Description	Qty. Req.
01	L500216	CARRIAGE WELD. (Incl. Item 2) . . .	1	10	L65689	LOCK VALVE . . . . .	1
02	L63468	BRONZE BUSHING 1.5X1.75X1.5 . . .	2		L50835	CAP SCREW 5/16-18X2 . . . . .	3
03	L10057	90° GREASE ZERK 1/4-28 . . . . .	2		L50056	5/16-18 SERRATED FLNG NUT . . .	3
04	L64561	FORK SHAFT BAR 59.5" OAL . . . . .	1	11	L65262	CARR.PIVOT WELD . . . . .	1
	L510003	CAP SCREW 1/2-13X2-3/4 . . . . .	2	12	L63994	SWING PIVOT PIN . . . . .	2
	L520019	1/2-13 NYLON INSERT NUT . . . . .	2		L50273	CAP SCREW 3/8-16X2-3/4 . . . . .	2
05	L400425	RETAINER . . . . .	2		L520005	3/8-16 NYLON INSERT NUT . . . . .	2
06	L66215	CAPACITY PLATE . . . . .	1	13	L47263	FORK 2X5X48 PALLET . . . . .	2
	L42871	POP RIVET . . . . .	4	13	L60961	FORK 2 1/4X6X60 PALLET . . . . .	2
07	L63995	ROD END PIVOT PIN . . . . .	2	13	L61001	BLOCK FORK 2X2X48 . . . . .	2
	L50815	CAP SCREW 5/16-18X2-1/2 . . . . .	2	13	L47265	FORK 2X5X60 . . . . .	2
	L520004	5/16-18 NYLON INSERT NUT . . . . .	2	14	L10465	STR GREASE ZERK . . . . .	4
08	L63995	BUTT END PIVOT PIN . . . . .	2	15	L63715	HOSE CUSHION TOP PLATE . . . . .	1
	L50815	CAP SCREW 5/16-18X2-1/2 . . . . .	2	16	L63716	.68 HOSE CUSHION . . . . .	1
	L520004	5/16-18 NYLON INSERT NUT . . . . .	2	17	L63951	THRUST WASHER . . . . .	6
09 <sup>ab</sup>	L63970	SWING CARR.CYLINDER . . . . .	2				

a Refer to Hyd. Comp. Pages For Breakdown.  
 b Refer to Part No. Stamped on Cylinder Tube.

**Planetary & Wheel Assembly (1350 Series)**

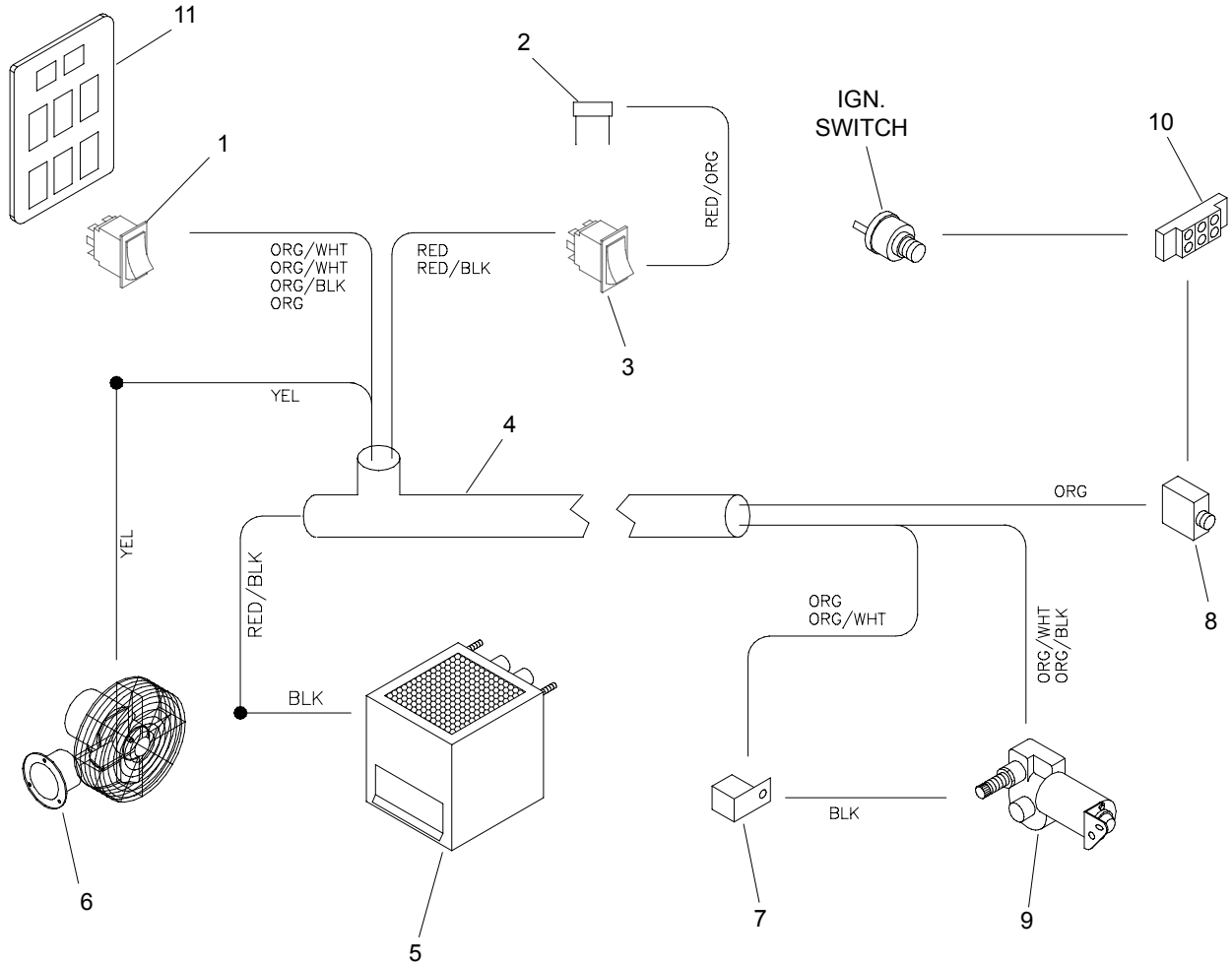
Ref. No.	Part No.	Description	Qty. Req.	Ref. No.	Part No.	Description	Qty. Req.
01	L99655	DRIVE FLANGE.....	1	21	L97124	PLANET HUB .....	1
02	L93777	PIPE PLUG .....	1	22	L93097	WHL.MTG.STUD .....	10
03	L97108	VENT.....	1	23	L97126	INNER BRG. CUP .....	1
04	L99147	CAPSCREW .....	18	24	L97127	OUTER BRG. CONE .....	1
05	L97109	SPACER .....	6	25	L97128	HUB SEAL .....	1
06	L93129	NEEDLE BEARING .....	150	26	L66626	VALVE STEM (New Large Hole)...	4
07	L97111	GEAR WASHER .....	3		L66657	BUSHING/NUT ASY .....	1
08	L97864	SPUR PLANET GEAR .....	3		L65860	TUBE/ RUBBER 13-14.00.....	1
09	L97113	ROLL PIN .....	3		L98157	FLAP/INNER TUBE.....	1
10	L99653	PLANET GEAR SHAFT .....	3		L63222	VALVE STEM (Old 5/8" Hole).....	4
11	L96744	WASHER.....	1	27	L93972	WHEEL FLANGE .....	4
12	L93037	SNAP RING .....	1		L93970	SNAP RING .....	4
13	L99647	SPUR SUN GEAR.....	1		L93971	O-RING.....	4
14	L99652	FLAT SPACER.....	1	28	L66459	WHEEL ( <i>Split Rim</i> )	
15	L97871	PLANET RING GEAR .....	1	28	L68666	WHEEL ( <i>One Piece Rim</i> ).....	4
16	L96738	ROLL PIN .....	1	29		WHEEL & TIRE ASY ( <i>Foam Filled</i> )	1
17	L93103	LOCK NUT.....	1		L68663	13X24X12PLY	
18	L97122	OUTER BRG. CONE .....	1	a	L68664	13X24X12PLY STL.GRD.	
19	L97123	OUTER BRG. CUP.....	1	b	L68665	14X24X12PLY	
20	L93101	WHL.. MTG. NUT 3/4-16 .....	10	-	L97319	PLANET ASY (Items 1-15) .....	1
					L500226	DRIVE FLNG ASY (Items 1-11) ...	1

**Main Electric Schematic**  
**w/J.D. Engine S/N 2605 & Up**

Ref. No.	Part No.	Description	Qty. Req.	Ref. No.	Part No.	Description	Qty. Req.
01	L620002	BATTERY . . . . .	1	24	L63606	WIRE ASY . . . . .	1
02	L64362	POSITIVE BATTERY CABLE . . . . .	1	25	L68638	STEER SELECT SWITCH . . . . .	1
03	L630001	NEGATIVE BATTERY CABLE . . . . .	1	26	L66564	STEER VALVE HARNESS . . . . .	2
04	L64973	WIRE ASY . . . . .	1	27	L65684	STEER SELECT VALVE . . . . .	1
05	L64972	WIRE ASY . . . . .	1	28	L63607	STEER VALVE HARNESS . . . . .	2
06	L64973	WIRE ASY . . . . .	1	29	L64090	WIRE ASY . . . . .	2
07	L41179	STARTER RELAY . . . . .	1	30	L64971	WIRE ASY . . . . .	1
08 <sup>a</sup>	L64568	MAIN WIRE HARNESS . . . . .	1	31	L41848	HORN BUTTON . . . . .	1
09	L63610	LIGHT CLUSTER . . . . .	1	32	L41847	HORN . . . . .	1
10	L64646	LOW OIL PRESS. SWITCH . . . . .	1	33	L62277	REVERSE ALARM SWITCH . . . . .	1
11	L64795	TRANS. TEMP SENDER . . . . .	1	34	L70200	REVERSE ALARM . . . . .	1
12	NSS	BRAKE DIFF. PRESS. SWITCH . . . . .	1	35	L66834	PARK BRAKE LIGHT . . . . .	1
13	L97690	FLOW SWITCH . . . . .	1	36	L650012	PARK BRAKE SWITCH . . . . .	1
14	L99245	BRAKE VALVE RELAY . . . . .	1	37	L66437	WATER TEMP GAUGE . . . . .	1
15	L64078	RESERVE BRAKE BUZZER . . . . .	1	38	L64437	WATER TEMP SENDER . . . . .	1
16	L66833	RESERVE BRAKE LIGHT . . . . .	1	39	L63640	FUEL GAUGE . . . . .	1
17	L4446	BRAKE LIGHT . . . . .	2	40	L47831	FUEL SENDER . . . . .	1
18	L64987	BRAKE WIRE HARNESS . . . . .	1	41	L62277	NEUTRAL START SWITCH . . . . .	1
19	L64890	BRAKE LIGHT SWITCH . . . . .	1	42	072340	HOURLMETER . . . . .	1
20	L99219	CIRCUIT BREAKER 15A . . . . .	2	43	L66835	WIRE ASY . . . . .	1
21	089069	IGNITION SWITCH w/ KEY . . . . .	1	44	L63597	WIRE ASY . . . . .	1
	089070	KEY ONLY . . . . .	1	45	L64081	WIRE ASY . . . . .	1
22	L64970	WIRE ASY . . . . .	4				
23	L650004	TERMINAL BLOCK . . . . .	2				

*a Wires not labeled are part of the main harness.*

### Cab Wiring Hookup w/o A/C S/N 2605 & Up



83elec8.wmf/589-5005.dwg

Ref. No.	Part No.	Description	Qty. Req.	Ref. No.	Part No.	Description	Qty. Req.
01	L66850	WIPER ROCKER SWITCH	1	07	L63335	RELAY / SPDT 5-PIN	1
02	NSS	RESISTER, 12W, 3 OHM	1	08	L63699	CIRCUIT BREAKER	1
03	L66849	HEATER ROCKER SWITCH	1	09	L66843	WIPER MOTOR	1
04	L66824	WIRE HARNESS	1	10	L650004	TERMINAL BLOCK	1
05	L66997	HEATER	1	11	L66844	SWITCH PANEL, 6-HOLE	1
06	L66986	DEFROSTER FAN	1		L66823	SWITCH PANEL, 3-HOLE	1

**Brake Control Plumbing**

Ref. No.	Part No.	Description	Qty. Req.	Ref. No.	Part No.	Description	Qty. Req.
01	L64274	HOSE ASY. -4X20".....	6	15	L64273	HOSE ASY. -4X24".....	1
02	L64848	BULKHD. 45 ELBOW. ....	4	16	L62741	SPECIAL MALE CONNTR. ....	1
		(-4JIC/4JIC)				(-4JIC)	
03	L61833	TUBE ASY. -4 .....	4	17	L445002	MALE 90 ELBOW .....	1
04	L446042	MALE BULKHD. TEE .....	2			(-8OR/-8JIC)	
		(-4JIC EA.END)		18	L446026	SWVL. RUN TEE .....	1
05	L442001	MALE 90 ELBOW .....	1			(-8JICFS/-8JICM/-8JICM)	
		(-2NPT/-4NPT)		19	L64291	HOSE ASY. -8X68".....	1
06	L64269	HOSE ASY-4X77".....	1	20	L69997	SPECIAL MALE CONNTR. ....	1
07	L446044	SWVL. RUN TEE .....	1			(-8JIC)	
		(-4JICFS/-4JICM/-4JICM)		21	L64267	HOSE ASY. -4X53".....	1
08	L446046	STR. MALE BULKHD. ....	2	22	L60588	REDUCER.....	1
		(-4JIC EA. END)				(-8JICF/-6JICM)	
09	L62998	SPECIAL MALE CONNTR. ....	1	23		HYDRAULIC PUMP .....	1
		(-4JIC)			L99115	Thru S/N 2543	
10	L442022	MALE 90 ELBOW .....	2		L66731	S/N 2544 & Up	
		(-4NPT/-4JIC)		24	L61039	CLUTCH DUMP SWITCH .....	1
11	L64268	HOSE ASY. -4X57".....	1	25	L66814	BRAKE VALVE.....	1
12	L64582	TEE MOUNT BRACKET.....	2	26	L62834	TEST PORT BLKHD NIPPLE.....	1
13	L64633	TUBE ASY.-4 .....	2		L62840	DUST CAP .....	1
14	L400935	MALE 90 BULKHD. ....	2		L62933	FEMALE COUPLER .....	1
		(-4JIC EA.END)					

**Boom Carrier Tilt/Slave Plumbing Lines**

Ref. No.	Part No.	Description	Qty. Req.	Ref. No.	Part No.	Description	Qty. Req.
01	L444003	STR. MALE CONNTR. . . . .	2	18	L64271	HOSE ASY. -4X120". . . . .	1
		(-12OR/-8JIC)		19	L445002	MALE 90 ELBOW . . . . .	3
02	L64325	HOSE ASY. -8X38". . . . .	2			(-8OR/-8JIC)	
03	L446026	SWVL. RUN TEE . . . . .	3	20	L64295	HOSE ASY-8X28" . . . . .	1
		(-8JICFS/-8JICM/-8JICM)		21	L64660	MALE TEE . . . . .	1
04	L446052	STR. MALE BULKHD. . . . .	2			(-8OR/-8JIC/-8JIC)	
		(-8JIC EA.END)		22	L446017	SWVL. 90 ELBOW . . . . .	2
05	L64299	HOSE ASY. -8X42". . . . .	2			(-8JICFS/-8JICM)	
06	L64563	TUBE ASY. -8 . . . . .	2	23	L64296	HOSE ASY. -8X38". . . . .	1
07	L64309	HOSE ASY. -8X380". . . . .	2	24	L64303	HOSE ASY. -8X58". . . . .	1
		(W/Reusable Ftg.)		25	L64294	HOSE ASY. -8X53". . . . .	1
08	L445006	MALE 90 ELBOW . . . . .	2	26	L51762	MALE TEE . . . . .	1
		(-12OR/-8JICM)				(-6OR/-6JIC/-6JIC)	
09	L444002	STR. MALE CONNTR. . . . .	2	27	L60302	TILT JOYSTICK . . . . .	1
		(-6OR/-6JIC)		28	L60523	JOYSTICK RELIEF . . . . .	1
		S/N 2544 & Up, V40 VALVE		29		CONTROL VALVE . . . . .	1
10	L445003	MALE 90 ELBOW . . . . .	1		L66441	S/N 2544 & UP	
		(-6OR/-6JICM)			L98706	Thru S/N 2543 (3-section)	
11	L64284	HOSE ASY. -6X36". . . . .	1		L98707	Thru S/N 2543 (4-section)	
12	L60253	STR. MALE CONNTR. . . . .	1	30		SLAVE CYLINDER. . . . .	2
		(-10OR/-6JIC)			L65406	Thru S/N 2565	
13	L64279	HOSE ASY. -4X24". . . . .	2		L66666	S/N 2566 & Up	
14	L570023	CLAMP 1/2" . . . . .	6	31		TILT CYLINDER. . . . .	1
		(3) 5/16-18 SFN			L65405	Thru S/N 2565	
15	L60653	SWVL. 90 ELBOW . . . . .	2		L66665	S/N 2566 & Up	
		(-6JICFS/-6JICM)		32	L62553	JOYSTICK, LIFT/EXTEND . . . . .	1
16	L64276	HOSE ASY. -4X114". . . . .	1				
17	L444002	STR. MALE CONNTR. . . . .	1				
		(-6OR/-6JIC)					

CLICK HERE TO **DOWNLOAD** THE COMPLETE MANUAL

- Thank you very much for reading the preview of the manual.
- You can download the complete manual from: [www.heydownloads.com](http://www.heydownloads.com) by clicking the link below



- Please note: If there is no response to CLICKING the link, please download this PDF first and then click on it.

CLICK HERE TO **DOWNLOAD** THE COMPLETE MANUAL

**Winch Attachment Plumbing Lines**

Ref. No.	Part No.	Description	Qty. Req.	Ref. No.	Part No.	Description	Qty. Req.
01	L444004	STR. MALE CONNTR. . . . .	2	07	L442011	MALE 45 ELBOW . . . . .	1
		(-8OR/-8JIC)				(-8NPT/-8JIC)	
02	L46211	MALE TEE . . . . .	1	08	L64294	HOSE ASY. -6X53" . . . . .	2
		(-8NPT/-8JIC/-8JIC)		09	L65273	COUPLER SET . . . . .	2
03	L400398	HOSE ASY. -6X18.5" . . . . .	2	10	NSS	MALE HALF . . . . .	2
04	L446024	ELBOW 45 . . . . .	1	11	NSS	FEMALE HALF . . . . .	2
		(-8JICF/-8JICM)		12	L430011	RELIEF VALVE . . . . .	1
05	L445006	MALE 90 ELBOW . . . . .	1	13	L60458	WINCH . . . . .	1
		(-12OR/-8JIC)					
06	L445009	MALE 90 ELBOW . . . . .	2				
		(-10OR/-8JIC)					

**Transmission - External Components Group**  
**with 18000 Series Transmission**

Ref. No.	Part No.	Description	Qty. Req.	Ref. No.	Part No.	Description	Qty. Req.
01		TRANSM. MTG. PLATE . . . . .	2	18	L47879	PARK BRAKE CABLE . . . . .	1
	L64100	Thru S/N 2529			L50607	COTTER PIN 1/8X1 . . . . .	1
	L66439	S/N 2530 & 2531			L42342	CLEVIS PIN 3/8X1-1/4 . . . . .	1
	L66542	S/N 2532 - 2710, except 2704, 2706			L50403	CAPSCREW 3/8-16X1-1/4 . . . . .	1
	L68547	S/N 2711 & Up, incl. 2704, 2706			L50061	SERR. FLGE. NUT 3/8-16 . . . . .	1
	L50875	CAPSCREW 3/4-10X1-1/2 . . . . .	8	19		HYD. PUMP . . . . .	1
	L50158	LOCKWASHER 3/4 . . . . .	8		L99115	Thru S/N 2543	
02	L64124	ISOLATOR MOUNT . . . . .	2		L66731	S/N 2544& Up	
	L50319	CAPSCREW 5/8-11X3-1/2 . . . . .	2		L50283	CAPSCREW 1/2-13X1-1/4 . . . . .	2
	L50155	PLAIN WASHER 5/8 . . . . .	2		L50151	PLAIN WASHER 1/2 . . . . .	2
	L520007	NYLON INSERT NUT 5/8-11 . . . . .	2	20	L64795	OIL PRESS. SENDER . . . . .	1
03	L64197	WASHER . . . . .	2	21	L62955	90° MALE ELBOW . . . . .	2
04	L64457	F-N-R SHIFT CABLE . . . . .	1			(-16NPT/-12JIC)	
05	L64457	1-2-3 SHIFT CABLE . . . . .	1	22	L64318	HOSE ASY. -12X96" . . . . .	2
06	L120017	CLEVIS . . . . .	2	23	L450002	COOLER . . . . .	1
07	L64602	1-2-3 SHIFT ARM . . . . .	1	24	Note a	TRANS. ASY., CLARK 18000 . . . . .	1
	L10057	GREASE ZERK . . . . .	1		L50261	CAPSCREW 3/8-16X1-1/2 . . . . .	11
	L50309	CAPSCREW 5/8-11X2-3/4 . . . . .	1			(To Eng. Housing)	
	L50155	PLAIN WASHER 5/8 . . . . .	2		L50833	CAP SCREW GR8 3/8-24X2 . . . . .	8
08	L64601	F-N-R SHIFT ARM . . . . .	1	25	L47212	CLAMP 3/8" . . . . .	1
	L50309	CAPSCREW 5/8-11X2-3/4 . . . . .	1			(Fuel Sender Wire)	
	L50155	PLAIN WASHER 5/8 . . . . .	2		L570022	CLAMP 1/2" . . . . .	1
09	L48071	LINK ARM . . . . .	4			(Positive Batt. Cable)	
	L560003	COTTER PIN 3/32X1-1/4 . . . . .	4				
	L44200	CLEVIS PIN 5/16X1 . . . . .	4	a		Refer to Model No. Tag on Trans. & Use	
	L50137	PLAIN WASHER 1/4 . . . . .	4			Part No. 907368 Manual For Breakdown.	
10	L64464	CABLE MT. BRACKET . . . . .	1	b		For Units S/N 2501 - 2543, Use P/N L220008:	
11	L68564	FRT. DRVSHAFT. W/U-JOINTS . . . . .	1			6C Greaseable, Has Tapped Bearing Caps for Mtg.	
12	L68565	REAR DRVSHAFT. W/U-JOINTS . . . . .	1			to Shaft.	
13	Note b	U-JOINT ASY. . . . .	4			For Units S/N 2544 - 2602, Use P/N L99077:	
14	L64991	CABLE ANCHOR PLATE . . . . .	1			6C Lube-For-Life, Has Thru-Hole Bearing Caps for	
15	L47275	CABLE CLAMP . . . . .	1			Mtg. to Tapped Shaft.	
	L50403	CAPSCREW 3/8-16X1-1/4 . . . . .	1			For Units S/N 2603 - 2621, Check Bearing Caps	
	L50061	SERR. FLGE. NUT 3/8-16 . . . . .	1			for Mtg. Style; If Tapped, Use P/N L99183; If Thru-	
16		THROTTLE CABLE BRKT. . . . .	1			Hole, Use P/N L99077.	
	L66606	(For J.D.Eng.)				For Units S/N 2622 & Up,. Use P/N L99183:	
	L66523	(For Perk.Eng.)				6C Non-Geaseable, Directly Interchangeable	
17	L64463	THROTTLE CABLE . . . . .	1			w/L220008 Except is Non-Greaseable. Has Tapped	
						Bearing Caps for Mtg. to Shaft.	

**Engine, External Components/Fuel Lines Group**  
**For John Deere & Perkins**

Ref. No.	Part No.	Description	Qty. Req.	Ref. No.	Part No.	Description	Qty. Req.
01	L442015	MALE 45° ELBOW . . . . .	1	11	L94746	OIL FILTER (J.D. Only) . . . . .	1
02	L66118	RETURN HOSE, .25 X 52" . . . . .	1		L94746	Thru S/N 2711, exc. 2704, 2706	
03	L66157	SUPPLY HOSE, .25 X 70" . . . . .	1		L99420	S/N 2712 & Up, inc. 2704, 2706	
04	L448002	ELBOW 45°, (J.D. Only) . . . . .	1	11	078849	OIL FILTER (Perkins Only) . . . . .	1
		Thru S/N 2711, exc. 2704, 2706		12	L65570	BLOCK HEATER (J.D. Only) . . . . .	1
05	L51827	STR. CONNECTOR (J.D. Only) . . . . .	1		L65568	BLOCK HEATER (Perkins Only) . . . . .	1
		Thru S/N 2711, exc. 2704, 2706		13		RT. ENG. MOUNT (J.D. Only) . . . . .	1
06		FAN BELT . . . . .	1		L66681	Thru S/N 2711, exc. 2704, 2706	
	L99161	J.D. 4239T			L68554	S/N 2712 & Up, inc. 2704, 2706	
	L99161	J.D. 4039T			L50313	CAPSCREW 5/8-11X1-1/2 . . . . .	2
	L68613	J.D. 4045T		13		RT. ENG. MOUNT (Perkins Only) . . . . .	1
	Note a	PERKINS			L64994	Thru S/N 2529	
07	Note a	WATER PUMP . . . . .	1		L66545	S/N 2530 & Up	
08	Note a	ALTERNATOR . . . . .	1	13		LT. ENG. MOUNT (J.D. Only) . . . . .	1
09		FUEL FILTER (J.D. Only) . . . . .	1		L64451	Thru S/N 2711, exc. 2704, 2706	
	L98600	Thru S/N 2711, exc. 2704, 2706			L68557	S/N 2712 & Up, inc. 2704, 2706	
	L98978	S/N 2712 & Up, inc. 2704, 2706			L50313	CAPSCREW 5/8-11X1-1/2 . . . . .	2
09		FUEL FILTER (Perkins Only) . . . . .	1	13		LT. ENG. MOUNT (Perkins Only) . . . . .	1
	078850	Thru S/N 2529			L64995	Thru S/N 2529	
	L88976	S/N 2560 & Up			L66544	S/N 2530 & Up	
10	L41179	RELAY (J.D. Only) . . . . .	1	14	L64124	VIBRATION ISOLATOR . . . . .	2
	L41770	CLAMP . . . . .	1		L50383	CAPSCREW 5/8-11X4 . . . . .	2
	L520003	NYLON INSERT NUT 1/4-20 . . . . .	2		L50155	PLAIN WASHER 5/8 . . . . .	2
	L50050	HEX NUT #10-32 . . . . .	1	15	L64197	SPACER . . . . .	2
	L50136	LOCKWASHER #10-32 . . . . .	2	16		RELAY BRKT. (J.D. Only)	
	L50152	LOCKWASHER 1/2 . . . . .	1		L66020	Thru S/N 2711, exc. 2704, 2706	
	L50072	HEX NUT 1/2-13 . . . . .	1		L68571	S/N 2712 & Up, inc. 2704, 2706	
	L50722	HEX NUT M5X.80 . . . . .	1	17	L69166	TUBE, RETURN FUEL LINE . . . . .	1
				18	L442017	MALE 45° ELBOW . . . . .	1
				19	L50729	STR. ADAPTER (Perkins Only) . . . . .	1

a Available Thru Local Eng. Dealer.

**L66821 Boom Lift Cylinder**  
**(S/N 2574 & Up)**

Ref. No.	Part No.	Description	Qty. Req.	Ref. No.	Part No.	Description	Qty. Req.
-a	L66821	COMPL. ASY. (Less 12)	1	07	L97886	PISTON	1
01	L99122	LOCKNUT 1-3/4-12	1	08	L99120	END GLAND	1
02	L64886	SPHERICAL BUSHING 1.5 ID	2	09	L99123	LOCKING INSERT	1
03	L48868A	COUNTERBAL. VALVE	1	10	L99121	HYD. OIL LINE TUBE	1
	L96838	CB SEAL KIT	1	11	L97885	RETAINER RING	2
	L65272	CAP	1	12	L10057	GREASE. ZERK (Rod End)	1
04	NSS	TUBE WLDMT.	1		L10465	GREASE. ZERK (Butt End)	1
05	L97712	ROD WLDMT.	1				
06	L99329	CYLINDER SEAL KIT	1	a		Part Number Stamped on Cylinder Tube.	

**L66666 Boom Slave Cylinder w / 1-1/2" Pins  
(S/N 2566 & Up)**

Ref. No.	Part No.	Description	Qty. Req.	Ref. No.	Part No.	Description	Qty. Req.
a	L66666	COMPLETE ASY. ( <i>Less 11</i> )	1	07	L98984	STROKE BLOCK	1
01	L99330	SEAL KIT	1	08	L68003	BUTT END BUSHING, 1.5X1.75X2	1
02	L63018	ROD END BUSHING, 1.5X1.75X3	1	09	L99214	LOCKNUT 1.5-12UNF	1
03	NSS	TUBE WELDMENT	1	10	L99073	LOCKING INSERT	1
04	L98981	END GLAND	1	11	L10057	GREASE ZERK	2
05	L98982	PISTON	1				
06	L98983	ROD WELDMENT	1	a	<i>Refer to Part Number Stamped on Cyl. Tube.</i>		

**L66920 Fork Shift Cylinder**

Ref. No.	Part No.	Description	Qty. Req.	Ref. No.	Part No.	Description	Qty. Req.
a	L66920	COMPLETE ASY. ....	1	06	L500325	ROD .....	1
01	NSS	TUBE .....	1	07	L500326	SPANNER NUT .....	1
02	L500321	FLARE FTG (3/8TUBE/9/16-18) ...	2	08	L500327	GUIDE .....	1
03	L500322	LOCK NUT 3/4-16 .....	1	09	L500328	RETAINER RING .....	1
04	L500323	PISTON .....	1				
05	L99958	SEAL KIT .....	1	a	<i>Part Number Stamped on Cylinder Tube.</i>		

**L66537 Mast Lift Cylinder**  
**(6 Ft, New Style)**

Ref. No.	Part No.	Description	Qty. Req.	Ref. No.	Part No.	Description	Qty. Req.
-a	L66537	COMPLETE ASY. ( <i>Less 10</i> )	1	07	080313	LOCKNUT 1-14 UNS	1
01	L98849	ROD WELD	1	08	L98848	CYLINDER SEAL KIT	1
02	L98850	GLAND CAP	1	09	NSS	TUBE WELDMENT	1
03	L98851	END GLAND	1	10	L10057	GREASE ZERK	1
04	L98852	PISTON	1				
05	L98853	OIL LINE TUBE	1	a		<i>Part Number Stamped on Cylinder Tube.</i>	
06	L98854	COUNTERBAL. VALVE	1				

V40 Main Valve

Ref. No.	Part No.	Description	Qty. Req.	Ref. No.	Part No.	Description	Qty. Req.
-	L66441	COMPLETE ASY. . . . .	1	10	NSS	EXT. WORK SECT. W/SPOOL . . . .	1
		S/N 2544 & Up		11	L99087	ANTI-CAV CHECK ASY. . . . .	1
01		INLET/OUTLET COVER . . . . .	1	12	L99087	ANTI-CAV W/RESTRICTOR . . . . .	1
02	L99831	PLUG . . . . .	1		L99088	RESTRICTOR .219 DIA. . . . .	1
03	L98745	MAIN RELIEF 2850 PSI . . . . .	1	13	NSS	LIFT WORK SECT. W/SPOOL . . . .	1
	L99094	RELIEF SEAL KIT . . . . .	1	14	L99089	WORK PORT RELIEF/ ANTI-CAV ASY. . . . .	2
04	L99082	SECT. SEAL KIT . . . . .	1		L97361	RELIEF/AC SEAL KIT . . . . .	2
05	L99083	WORK PORT RELIEF ASY. . . . .	1	15	NSS	TILT WORK SECT. W/SPOOL . . . .	1
	L97361	SERVICE KIT . . . . .	1	16	L99831	PLUG . . . . .	1
06	L99084	"B" PORT POSITIONER . . . . .	3	17	L99090	BOLT KIT-3 SECTION . . . . .	1
	L98894	SEAL KIT . . . . .	3		L99093	BOKT KIT-4 SECTION . . . . .	1
07		PLUG . . . . .	1	18	L99899	END COVER . . . . .	1
08	L99085	LOAD CHECK ASY. . . . .	3	19	L500300	DUST BOOT . . . . .	6
09	L99086	"A" PORT POSITIONER . . . . .	3				
	L98894	SEAL KIT . . . . .	3				

**Outrigger Control Valve**

Ref. No.	Part No.	Description	Qty. Req.	Ref. No.	Part No.	Description	Qty. Req.
-		COMPLETE .ASY. ....	1	11	L99201	OUTER STOP CUP SPRING ....	2
	L65176	Thru S/N 2501		12	L99202	INNER STOP CUP ....	2
	L66942	S/N 2502 & Up		13	L97959	SPOOL ADAPTER ....	2
01	NSS	BODY ....	1	14	NSS	RETAINER PLATE ....	2
02	NSS	FIRST SPOOL ....	1	15	NSS	PLUG ....	1
03	NSS	SECOND SPOOL ....	1			Thru S/N 2501	
04	NSS	LOAD CHECK PLUG ....	2	16	L62320	RELIEF CARTRIDGE ....	1
05	L97659	SEAL KIT ....	1			S/N 2502 & Up	
06	L99195	LOAD CHECK SPRING ....	2	17	NSS	CLEVIS PIN ....	1
07	NSS	LOAD CHECK POPPET ....	2	18	NSS	COTTER PIN ....	1
08	L97662	KNOB ....	2	19	NSS	PLUG ....	1
09	L99194	DRAWN CUP ....	2			Thru S/N 2501	
10	L99200	OUTER STOP CUP ....	2	20	L99186	PWR. BEYOND SLEEVE ....	1
						S/N 2502 & Up	

**L276911 Locking Valve**

Ref. No.	Part No.	Description	Qty. Req.	Ref. No.	Part No.	Description	Qty. Req.
-	L276911	COMPLETE ASY. ....	1	06	NSS	DOUBLE PISTON ....	1
01	L98674	SEAL KIT ....	1	07	NSS	ORIFICE PLATE .078" ....	2
02	NSS	CHECK PLUG CAP ....	2	08	NSS	STOP SCREW ....	2
03	NSS	CHECK SPRING ....	2	09	NSS	BODY ....	1
04	NSS	CHECK BALL ....	2	10	L98675	REBUILD KIT ....	1
05	NSS	CHECK BODY ....	2			(Incl. Items 1-6)	

Part No.	Page No.	Ref. No.	Part No.	Page No.	Ref. No.	Part No.	Page No.	Ref. No.	Part No.	Page No.	Ref. No.
L50631	65	15	L51098	125	12	L520007	15	33	L570023	99	14
L50640	39	21	L514001	17	32	L520007	15	34	L570023	101	10
L50669	55	13	L51493	93	07	L520007	35	22	L580008	19	15
L50705	127	07	L51561	91	16	L520007	37	09	L580009	19	01
L50705	127	07	L51572	107	11	L520007	37	10	L60253	99	12
L50718	45	03	L51590	87	18	L520007	55	23	L60302	15	25
L50722	129	10	L51621	87	07	L520007	119	02	L60302	99	27
L50729	129	19	L51621	95	01	L520019	21	01	L60302	185	
L50755	15	09	L51621	115	07	L520019	21	15	L60392	151	03
L50755	21	33	L51621	117	05	L520019	23	10	L60392	153	07
L50755	21	34	L51761	125	08	L520019	23	12	L60451	51	09
L50755	29	13	L51762	91	03	L520019	27	09	L60458	51	07
L50801	45	02	L51762	99	26	L520019	35	09	L60458	109	13
L50815	31	15	L51781	125	11	L520019	41	05	L60458	177	
L50815	47	07	L51814	111	01	L520019	45	04	L60492	127	05
L50815	47	08	L51814	115	20	L520019	45	09	L60492	127	13
L50815	47	10	L51827	129	05	L520019	45	10	L60523	87	28
L50815	49	07	L520003	15	24	L520019	47	04	L60523	93	25
L50815	49	08	L520003	21	20	L520019	49	04	L60523	99	28
L50815	53	05	L520003	51	11	L520019	51	07	L60523	195	
L50823	15	10	L520003	129	10	L520019	53	18	L60535	17	15
L50823	23	06	L520004	21	21	L520019	55	02	L60539	75	10
L50823	25	12	L520004	23	26	L520019	123	03	L60539	77	08
L50823	29	02	L520004	35	24	L52007	15	20	L60588	89	22
L50823	33	12	L520004	47	07	L52007	15	21	L60653	95	15
L50833	119	24	L520004	47	08	L52024	15	25	L60653	99	15
L50835	17	21	L520004	47	10	L52024	17	14	L60653	101	02
L50835	49	10	L520004	49	07	L52025	29	14	L60847	87	01
L50835	123	10	L520004	49	08	L52026	17	05	L60857	15	17
L50836	23	01	L520004	53	05	L52026	19	05	L60936	5	17
L50836	33	03	L520004	55	04	L52026	19	14	L60936	9	17
L50836	55	06	L520005	19	02	L52026	39	07	L60961	41	04
L50837	15	28	L520005	19	05	L530003	21	02	L60961	45	11
L50837	27	18	L520005	19	10	L530003	21	11	L60961	47	13
L50841	51	11	L520005	21	17	L530004	15	10	L60961	49	13
L50875	43	07	L520005	23	19	L530004	15	10	L60986	87	11
L50875	119	01	L520005	27	01	L530004	15	11	L61001	41	04
L50892	35	09	L520005	27	05	L530004	15	22	L61001	45	11
L50892	45	04	L520005	33	01	L530004	25	01	L61001	47	13
L50896	17	31	L520005	33	02	L530004	25	02	L61001	49	13
L50896	17	32	L520005	35	07	L530004	25	04	L61001	55	29
L50956	21	16	L520005	37	02	L530004	25	09	L61017	41	04
L50956	27	06	L520005	37	13	L530004	25	10	L61021	127	06
L510003	41	05	L520005	37	18	L530004	25	11	L61039	89	24
L510003	45	10	L520005	39	06	L530004	25	12	L61064	31	24
L510003	47	04	L520005	39	07	L530004	25	14	L61080	31	13
L510003	49	04	L520005	39	27	L54002	15	30	L61081	31	23
L510003	53	18	L520005	45	02	L54314	95	05	L61085	31	11
L510003	55	02	L520005	45	04	L560003	27	11	L61086	31	12
L510007	35	33	L520005	45	09	L560003	39	09	L61115	75	09
L510007	37	31	L520005	47	12	L560003	119	09	L61115	77	07
L510008	33	07	L520005	49	12	L561004	19	03	L61117	21	02
L510008	33	08	L520005	51	12	L561004	19	13	L61136	123	06
L510008	33	11	L520005	55	06	L570005	21	32	L61147	75	08
L510008	33	13	L520005	55	10	L570005	23	22	L61147	77	06
L510027	35	22	L520005	55	21	L570018	21	30	L61189	78	09
L51098	125	04	L520005	127	06	L570022	119	25	L61190	29	12

CLICK HERE TO **DOWNLOAD** THE COMPLETE MANUAL

- Thank you very much for reading the preview of the manual.
- You can download the complete manual from: [www.heydownloads.com](http://www.heydownloads.com) by clicking the link below



- Please note: If there is no response to CLICKING the link, please download this PDF first and then click on it.

CLICK HERE TO **DOWNLOAD** THE COMPLETE MANUAL