



Publication #053296SP

# Thomas Parts Manual



**135 / 137 / 153**

**Skid Steer Loaders**  
(137 - S/N LE011000 onward)  
(153 - S/N LN002000 onward)

CLICK HERE TO **DOWNLOAD** THE COMPLETE MANUAL

- Thank you very much for reading the preview of the manual.
- You can download the complete manual from: [www.heydownloads.com](http://www.heydownloads.com) by clicking the link below



- Please note: If there is no response to CLICKING the link, please download this PDF first and then click on it.

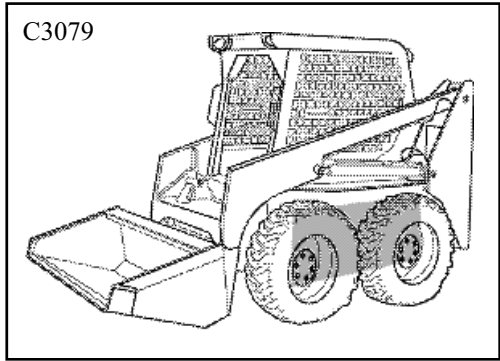
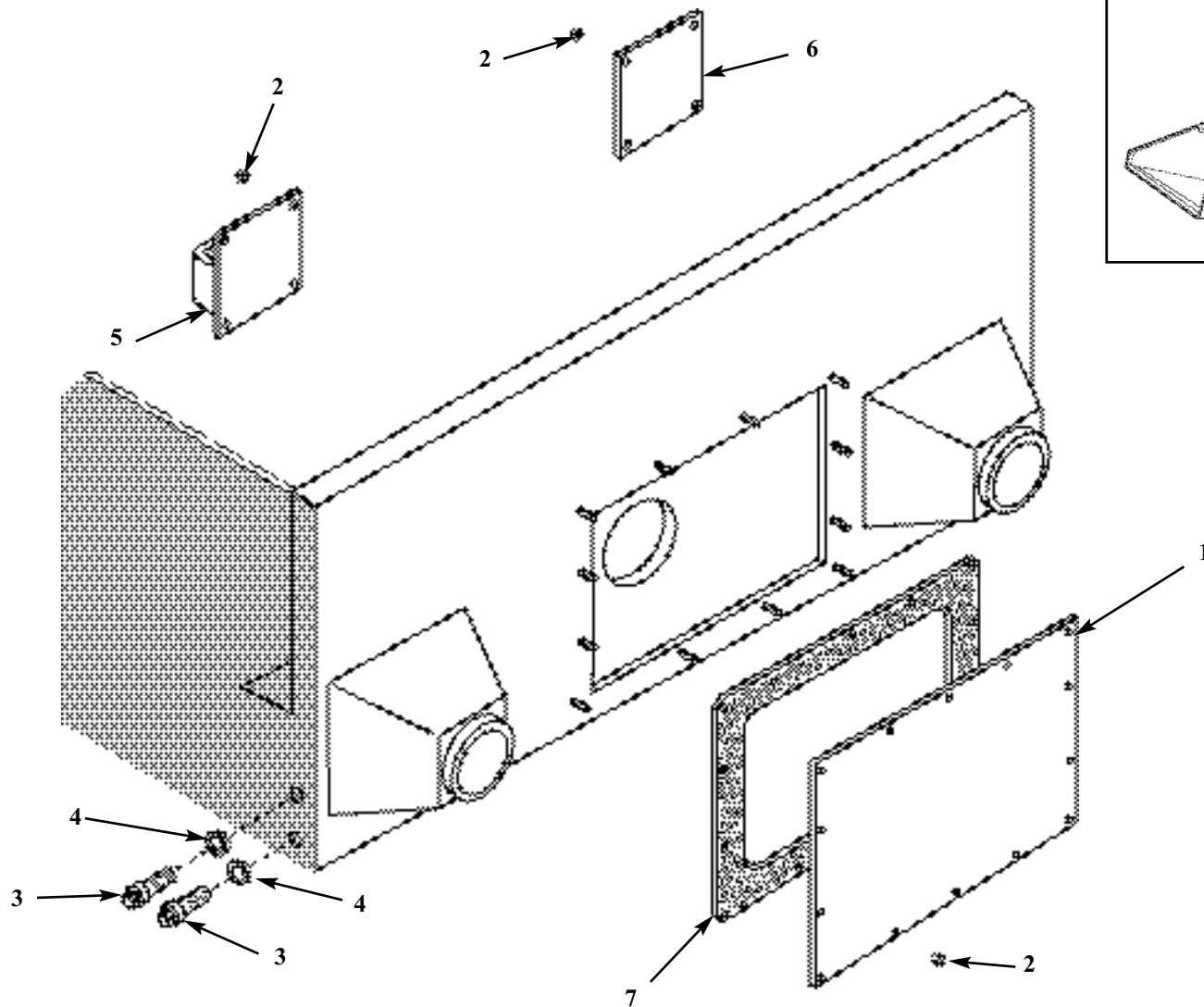
CLICK HERE TO **DOWNLOAD** THE COMPLETE MANUAL

Pos NO.	Part No.	Qty	Description
1	040921SP	1	Cap, Fuel, Diesel
1	040922SP	1	Cap, Fuel, Diesel, Locking
2	043130SP	1	Dust Plug for Quick Disconnect, Male
*	043131SP	1	Dust Plug for Quick Disconnect, Female
3	043128SP	1	Coupling, Quick Disconnect, Male
*	043129SP	1	Coupling, Quick Disconnect, Female
4	043127SP	1	Connector, Bulkhead
5	962401SP	1	Hose, Hyd
6	019949SP	6	Clamp
7	014797SP	1	Cock, Fuel Shutoff
8	023861SP	1	Hose End
9	042561SP	1	Filter, Fuel
10	042560SP	1	Assy, Fuel Filter
11	041626SP	1	Fuel Level Sender
12	024264SP	1	Gasket, Cork
13	023194SP	5	Machine Screw
14	024214SP	5	Washer, Fibre (Optional)
15	000261SP	as req.	Fuel Line
16	000261SP	as req.	Fuel Line
17	000261SP	as req.	Fuel Line
18	033112SP	1	Fuel Pump
19	042737SP	1	Overflow Tank
22	043558SP	2	Nut, Flange
23	042572SP	1	Bushing, Reduction
24	042574SP	1	Elbow, 90 deg.
25	018318SP	1	Hose End
26	026737SP	2	Clamp, Fuel Line
27	000407SP	as req.	Fuel Line
28	001773SP	1	Bolt
29	032920SP	1	Spring
30	023385SP	as req	Washer, Flat
31	008613SP	1	Nut, Nylock
32	017144SP	1	Plug

Pos No.	Part No.	Qty	Description
1	000821SP	2 ft.	Molding
2	962341SP	1	Engine Cover Assy
	052186SP	2	Hinge
3	040477SP	1	Rear Filler Shield
4	963800SP	1	Front Step Shield Assy
5	960932SP	1	Rear Belly Pan Assy
6	040498SP	1	Chain Tightener Shield, LH
7	040499SP	1	Chain Tightener Shield, RH
8	963818SP	1	LH Seat Support
9	040495SP	2	Hole Cover
10	047219SP	2	Cover
11	042613SP	1	Seat Plate
12	963819SP	1	RH seat Support
	040787SP	2	Neoprene
	042070SP	4	Knob, W / Stud
	041791SP	2	Knob, W / Brass Insert
	041704SP	2	Stud for 41791
	039126SP	2	Plug, Black Plastic
	043549SP	as req.	Washer
13	042615SP	1	Hydrostatic Shield
14	041801SP	1	Clean Out Plate
15	000820SP	2.7 ft.	Edging, Vinyl
16	007723SP	2	Bolt
17	039556SP	2	Cover
18	039557SP	4	Clamps
19(a)	047285SP	1	Foot Shield, Hand Controls
19(b)	047286SP	1	Foot Shield, Foot Controls

## 2. CONTROLS

Control Levers.....	2.1
Foot Pedals.....	2.2
Throttle.....	2.3
Restraint Bar .....	2.4



Pos NO.	Part No.	Qty	Description
1	047803SP	1	Valve, Assy. Solenoid Auxiliary with Control Boxes
2	020182SP	2	Connector
3	960945SP	4	Hose, Hyd.
4	960946SP	2	Hose, Hyd.
5	038562SP	2	Connector
6	039041SP	2	Connector
7	037819SP	2	Tube Assy
8	039981SP	2	Lift Cylinder (153)
9	039980SP	2	Lift Cylinder (135/137)

CLICK HERE TO **DOWNLOAD** THE COMPLETE MANUAL

- Thank you very much for reading the preview of the manual.
- You can download the complete manual from: [www.heydownloads.com](http://www.heydownloads.com) by clicking the link below

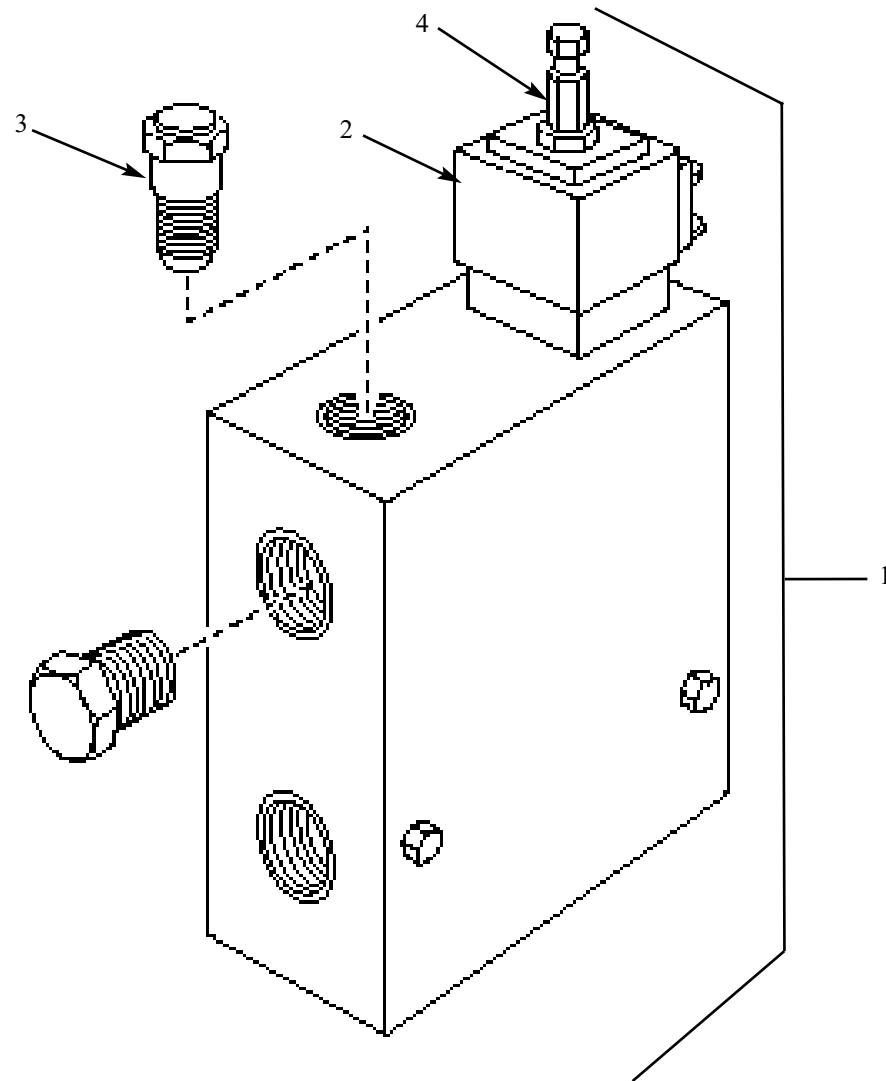


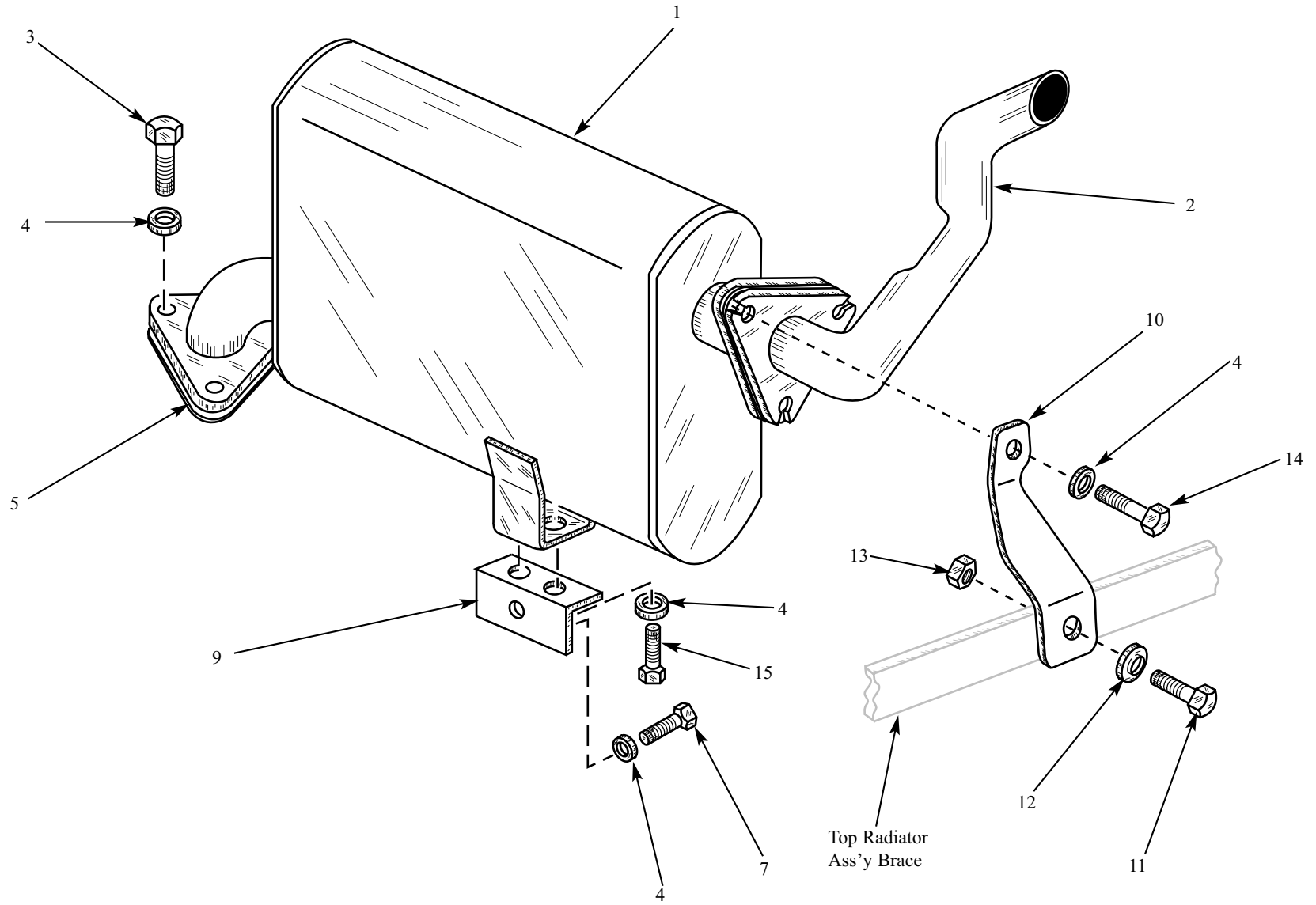
- Please note: If there is no response to CLICKING the link, please download this PDF first and then click on it.

CLICK HERE TO **DOWNLOAD** THE COMPLETE MANUAL

Pos No.	Part No.	Qty	Description
1.	047803SP	1	Valve, Assy. Solenoid Auxiliary with Control Boxes
2.	019226SP	2	Elbow
3.	965687SP	1	Hose, Hydraulic
4.	965688SP	1	Hose, Hydraulic
5.	039042SP	1	Connector, Bulkhead
6.	038562SP	1	Connector, Bulkhead, Long
7.	965685SP	1	Hose, Hydraulic
8.	965686SP	1	Hose, Hydraulic
9.	049998SP	1	Tube, Hydraulic
10.	049997SP	1	Tube, Hydraulic
11.	029437SP	2	Connector, Bulkhead
12.	048593SP	1	Coupling, Male
13.	048592SP	1	Coupling, Female
14.	048594SP	1	Cover, Male Coupling
15.	048595SP	1	Cover, Female Coupling
17.	046118SP	1	Accumulator, Diaphragm
18.	001191SP	4	Nut, Hex 5/16"
19.	010870SP	4	Washer, Lock 5/16"
20.	001651SP	4	Washer, Flat 5/16" 26
21.	406165SP	1	Sheet, Accumulator Mount, Top
22.	046166SP	1	Sheet, Accumulator Mount, Bottom
23.	021121SP	1	Connector, M 6 9/16"
24.	963294SP	1	Hydraulic Hose, 1/4" x 16 1/2"
25.	036855SP	1	Connector, M 4 7/16"

Pos No.	Part No.	Qty	Description
	039982SP	2	Complete Tilt Cylinder
1	035451SP	2	Grease Fitting
2	041209SP	1	Seal Kit, Complete
3	031032SP	1	Hardened Bushing
4	041208SP	1	Hardened Bushing





## 8. OPTIONAL EQUIPMENT

The following kits are **OPTIONAL** and can be added as extra equipment.  
Some of the options listed below are standard on certain machines.

Cab Enclosure ( <i>Not available on CE loaders</i> ) .....	8.1
Side Windows - Painted .....	8.2
Cab Heater.....	8.3
Cab Door .....	8.4
Horn.....	8.5
Self Level Valve.....	(Refer to Sections 4.3 & 4.5)
Interior Light and Exterior Trouble .....	8.6
Light Kit ( <i>Only available as a factory installed option</i> ) .....	8.7
Driving Lamp Kit ( <i>Only available as a factory installed option</i> ) .....	8.8
Stop Switch ( <i>Only available as a factory installed option</i> ) .....	8.9
Wheel Equipment .....	8.10
Block Heater .....	8.11
Backup Alarm .....	8.12
3" Seat Belt .....	8.13
Auto Engine Shutdown .....	8.14
Axle Seal Protector .....	8.15
Purifier.....	8.16
Hydraulic Oil Heater.....	8.17
Precleaner .....	8.18
Lifting Lug (ROPS) .....	8.19
Hi-Flow (153, To S/N LN004999) .....	8.20
Hi-Flow (153, S/N LN005000 Onward) .....	8.21

**Stop Switch Kit****8.9**

Part No.	Qty	Description
<b>963879SP</b>	<b>1</b>	<b>Kit, Stop Switch:</b>
042951 SP	1	Switch, Contact Body Assy
044305 SP	1	Button, Turn to Release Red
042975 SP	1	Sheet, Stop Button Support
043145 SP	1	Decal, Park Brake

**Lifting Lug (ROPS) Kit****8.19**

Part No.	Qty	Description
<b>963633SP</b>	<b>1</b>	<b>Kit, Lug Lifting ROPS:</b>
046770 SP	2	Plate, Lifting Lug
001660 SP	4	Bolt, Hex 9/16 UNC x 1 1/2 UNC GR5 PL
001077 SP	4	Nut, Hex 9/16 UNC PL GR5
002650 SP	4	Washer, Flat 9/16 PL
001648 SP	4	Washer, Lock 9/16 PL

CLICK HERE TO **DOWNLOAD** THE COMPLETE MANUAL

- Thank you very much for reading the preview of the manual.
- You can download the complete manual from: [www.heydownloads.com](http://www.heydownloads.com) by clicking the link below



- Please note: If there is no response to CLICKING the link, please download this PDF first and then click on it.

CLICK HERE TO **DOWNLOAD** THE COMPLETE MANUAL