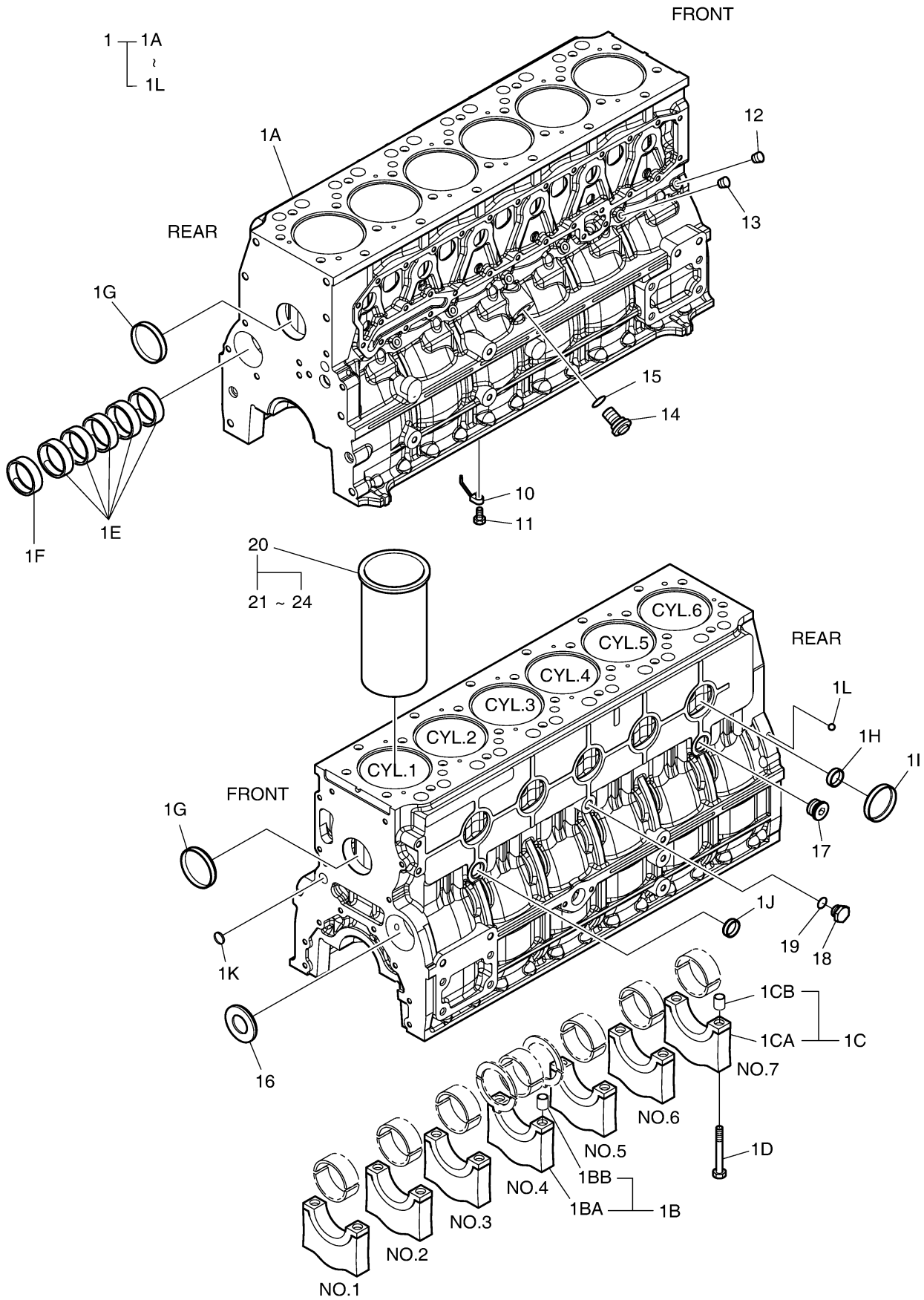


# Fig. 011 CYLINDER BLOCK



CLICK HERE TO **DOWNLOAD** THE COMPLETE MANUAL

- Thank you very much for reading the preview of the manual.
- You can download the complete manual from: [www.heydownloads.com](http://www.heydownloads.com) by clicking the link below



- Please note: If there is no response to CLICKING the link, please download this PDF first and then click on it.

CLICK HERE TO **DOWNLOAD** THE COMPLETE MANUAL

Fig. 016 DRIVING SYSTEM

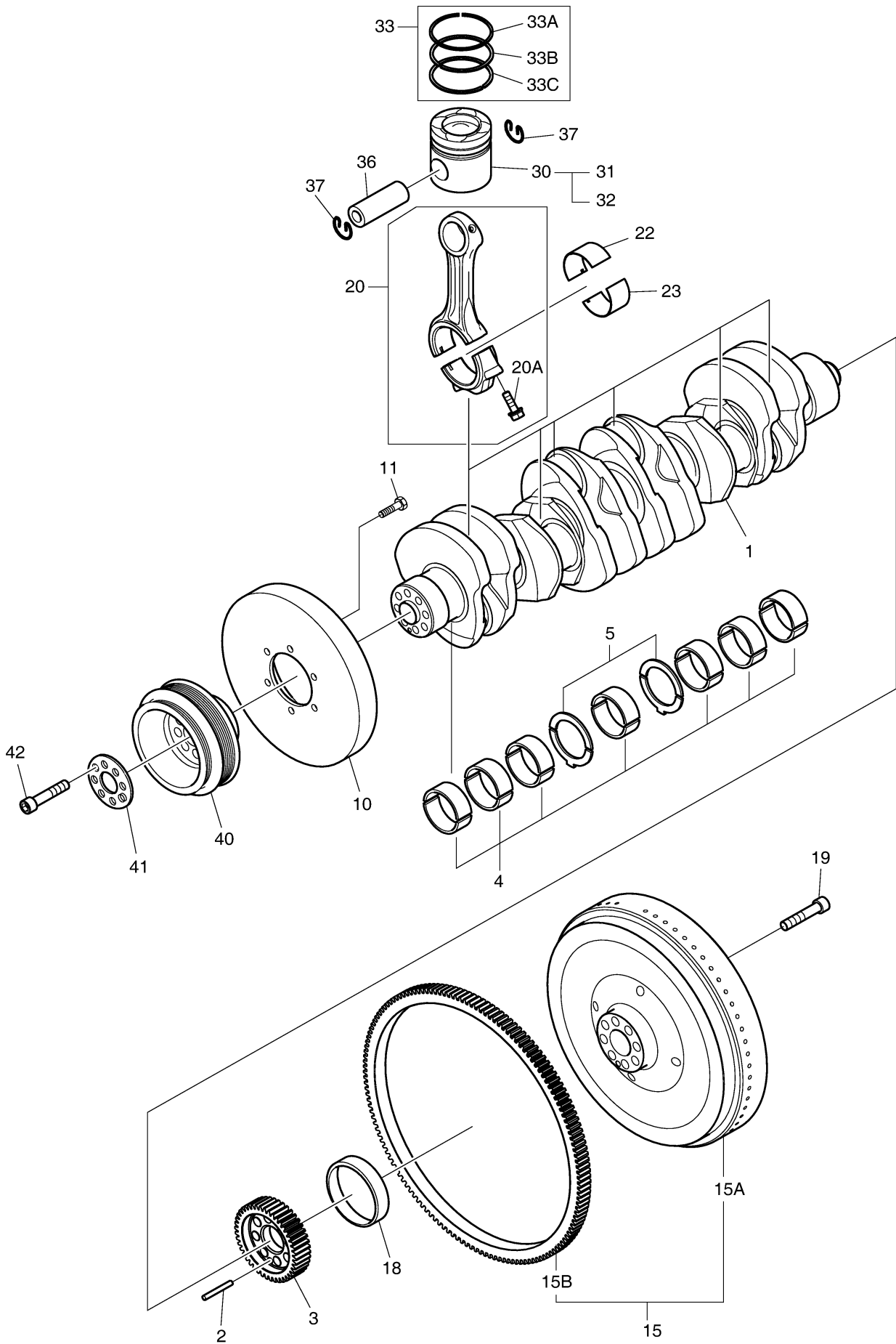


Fig. 021 OIL FILTER & OIL COOLER

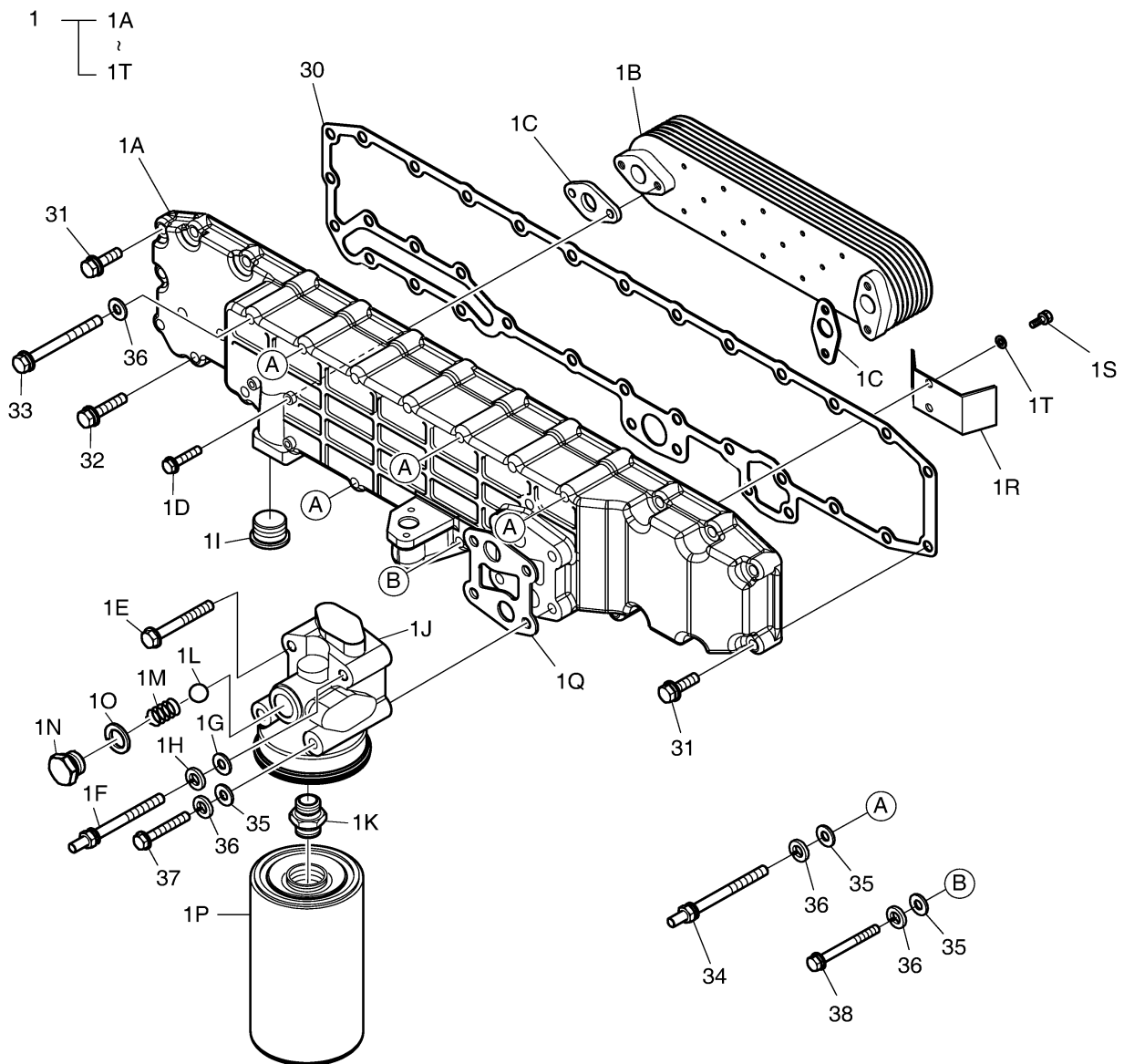


Fig. 026 INTAKE & EXHAUST MANIFOLD

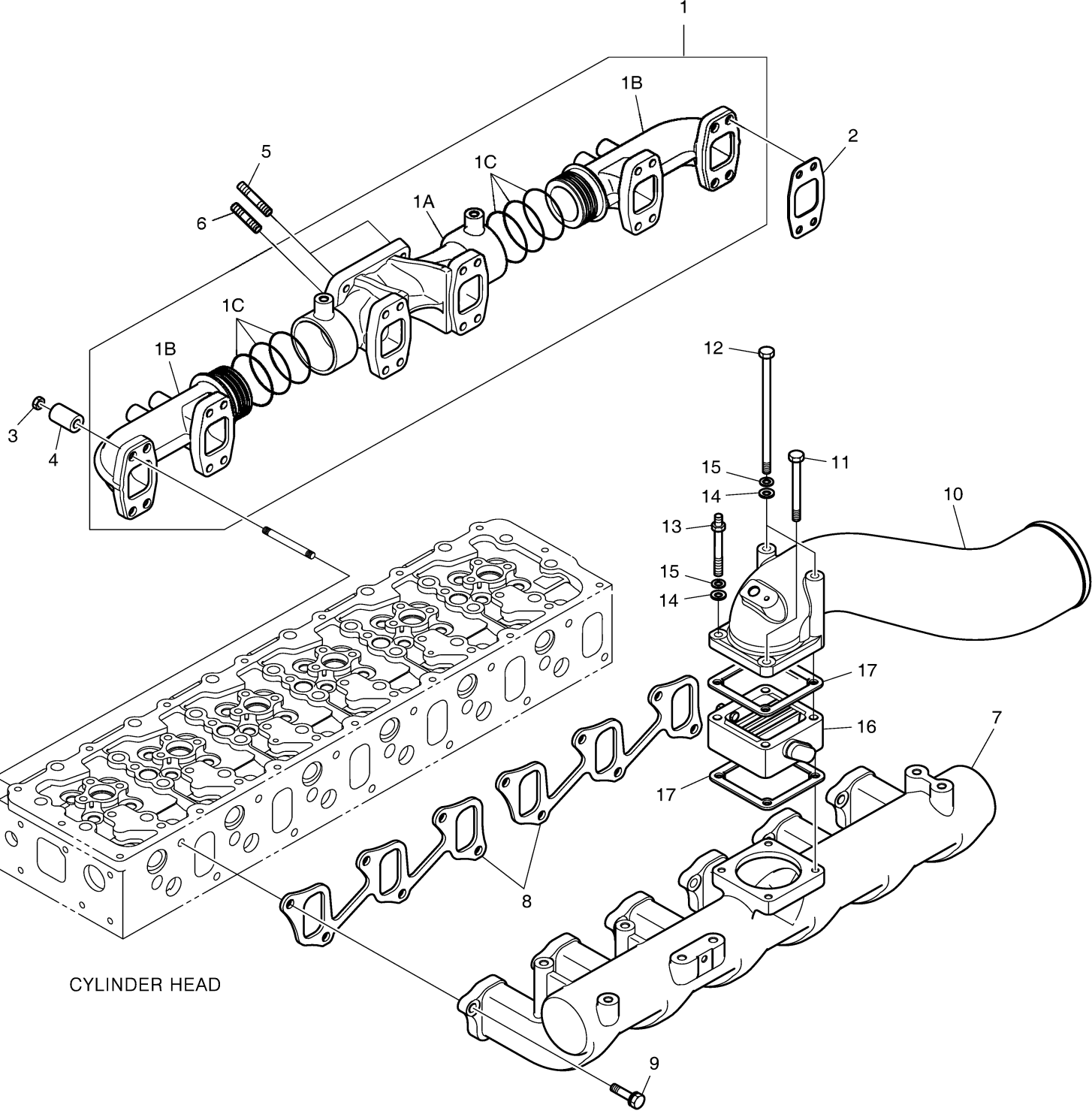


Fig. 031 ENGINE CONTROL

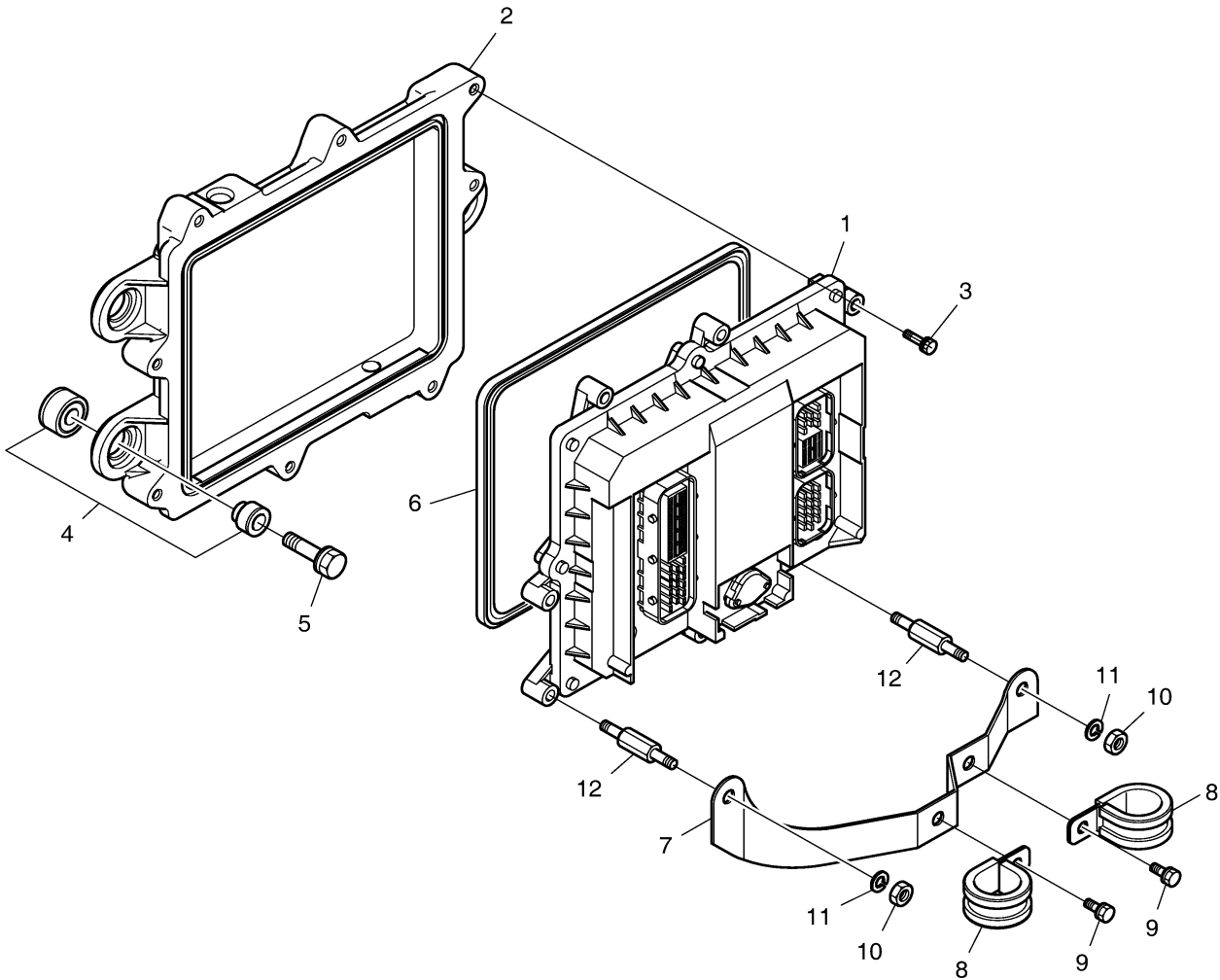
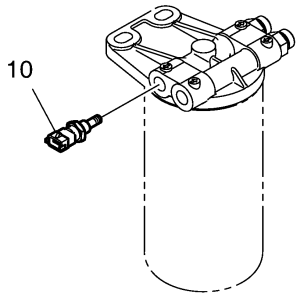
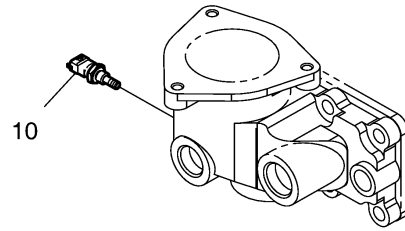


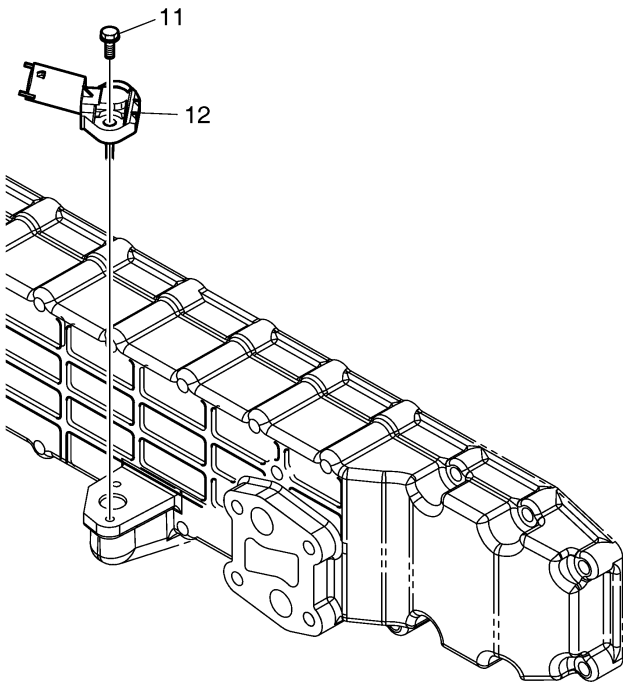
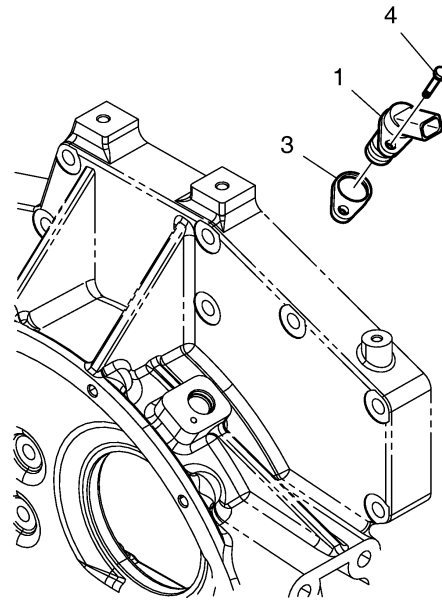
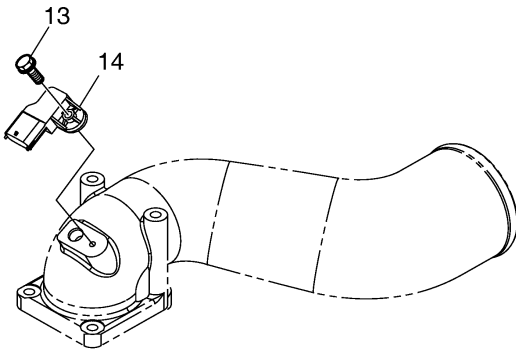
Fig. 036 SENSOR



FUEL FILTER



THERMOSTAT HOUSING



OIL COOLER HOUSING

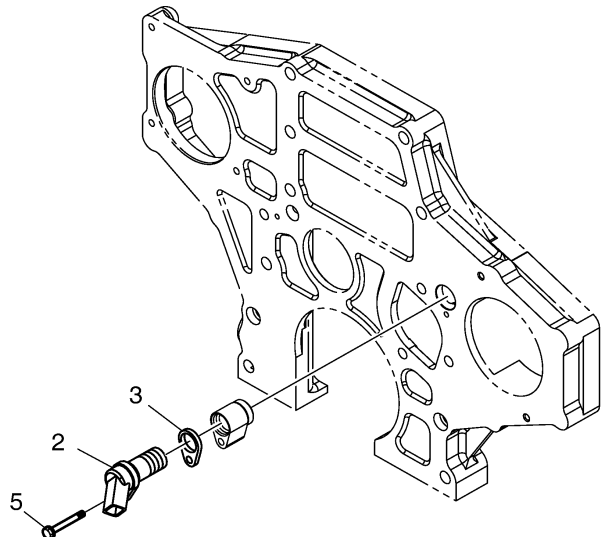
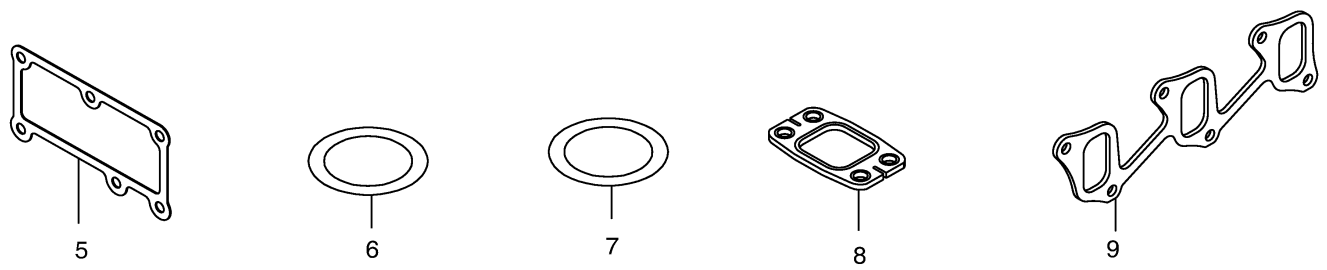
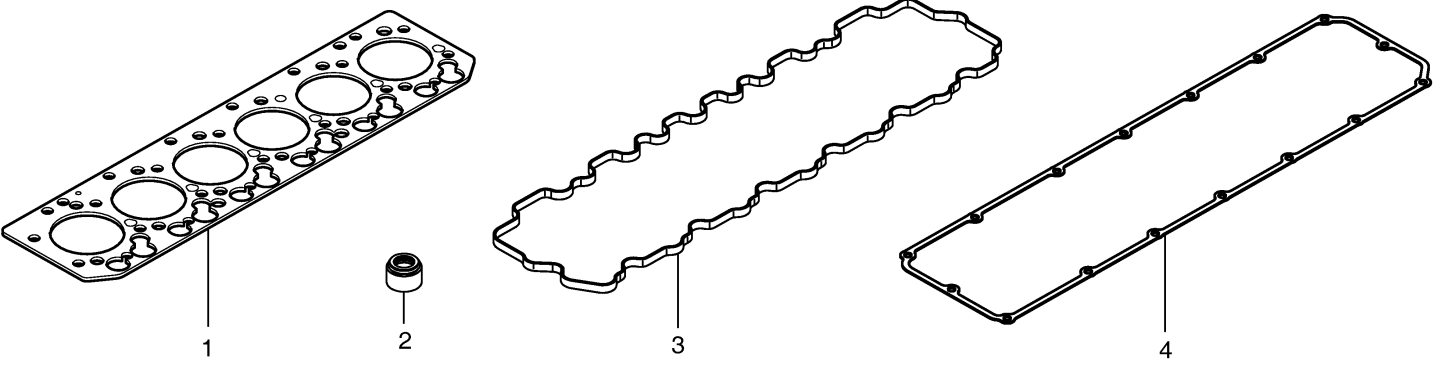


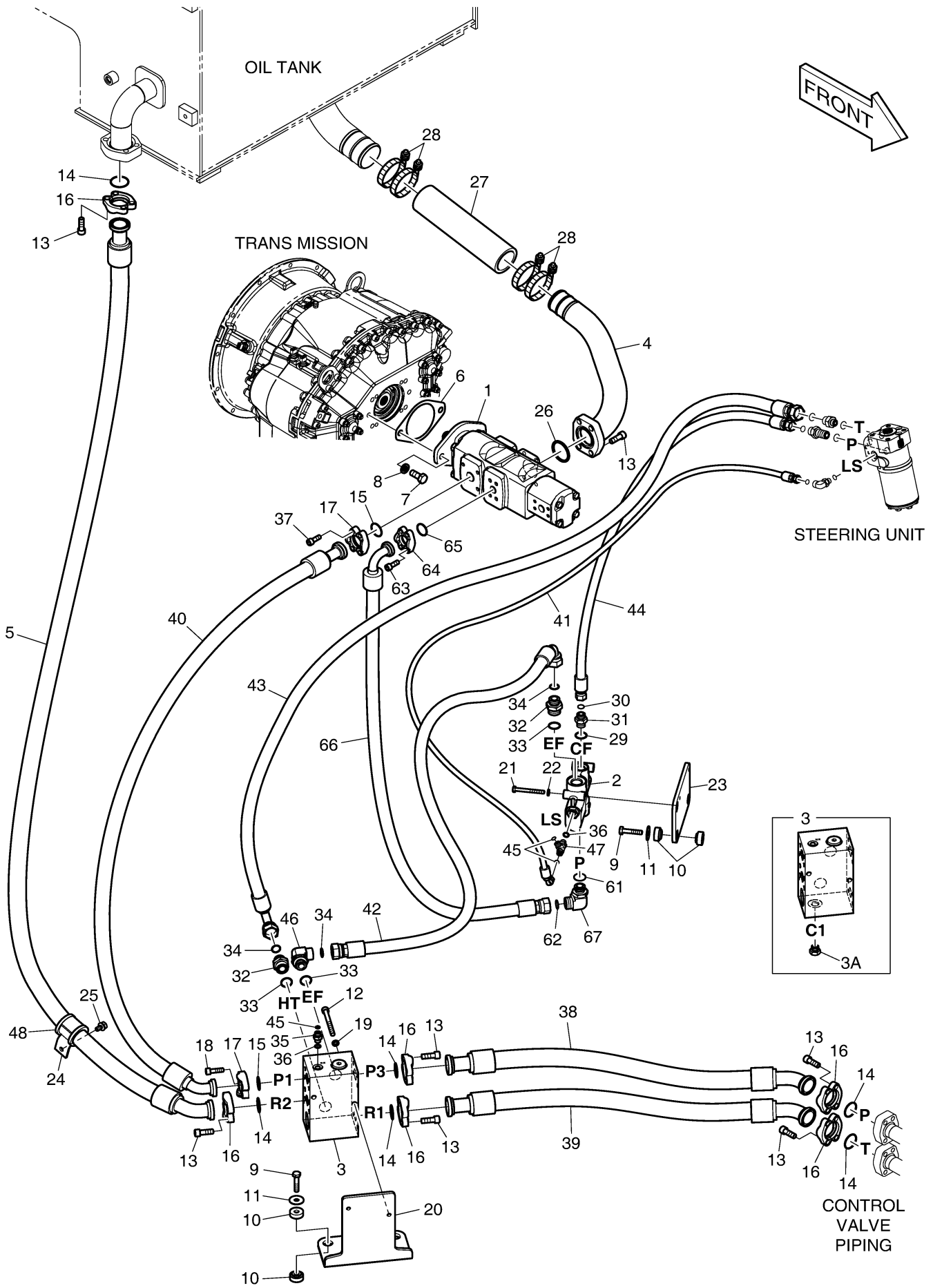
Fig. 041 OVERHAUL GASKET KIT – TOP



## Fig. 1120 OIL TANK

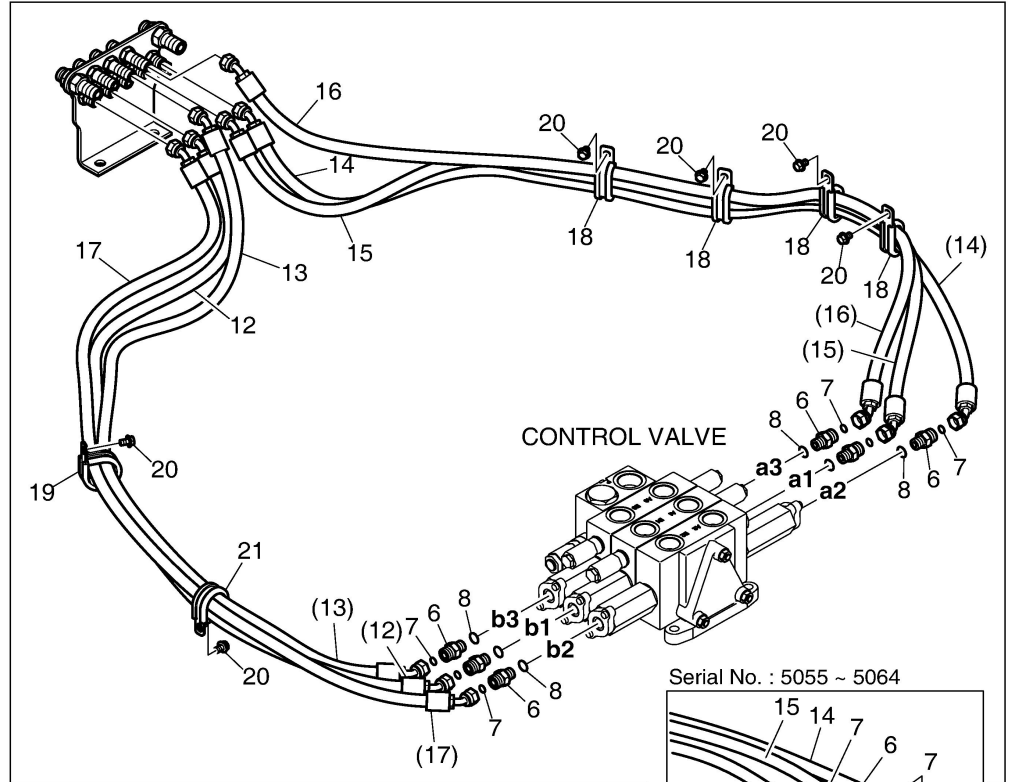
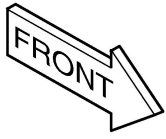
Key No	Part No	Description	Qty	S.C	Serial No	ICA	Replacable	Qty
-	450105-00141	TANK ASSY,OIL	-	D				
1	450105-00142A	TANK ASS'Y,OIL	1					
1-1	450105-00143A	TANK,OIL	1					
1-2	110508-00751	COVER,TANK	1					
1-3	110508-00752	COVER	1					
2	420218-00062A	PIPE,SUCTION	1					
3	474-00055	ELEMENT:RETURN FILTER	1					
4	426-00278	VALVE:DRAIN	1					
5	528-00030	GAUGE:COOLANT SIGHT	1					
6	K1012685A	BREATHER:AIR	1					
6-1	K9005662	GASKET	1					
6-2	K1029257	ELEMENT:AIR BREATHER	1					
7	2426-1175	VALVE:BY-PASS	1					
8	S5102603	WASHER,SPRING:M10	18					
9	2474-9016A	FILTER:SUCTION	1					
10	2129-1393	SPRING	1					
11	2129-1008	SPRING:COMPRESS	1					
12	136-00025	ROD	1					
13	S8011200	O-RING	1					
14	S8012000	O-RING	1					
15	S8011650	O-RING	1					
16	S8000181	O-RING	1					
17	S8000111	O-RING	3					
18	2181-1890D2	PLUG	3					
19	S5100103	WASHER:SPRING	2					
20	S3450573	SCREW M4X0.7X10	2					
21	S4012133	NUT M4X0.7	2					
22	S0512066	BOLT M10X1.5X25	18					
23	S0514666	BOLT M12X1.75X16	2					
24	S2202766	BOLT	6					
25	4125-1099	LATCH:DRAW	1					
26	2114-1816A	WASHER	5					
27	S0521266	BOLT M16X2.0X30	5					
28	161-00530	RUBBER:CUSHION	1					
29	2181-2816D5	ELBOW	1					
30	S8030061	O-RING	1					

Fig. 1160 MAIN PIPING



# Fig. 1200 PILOT PIPING – 3 SPOOL

Serial No. : 5001 ~ 5054



Serial No. : 5055 ~ 5064

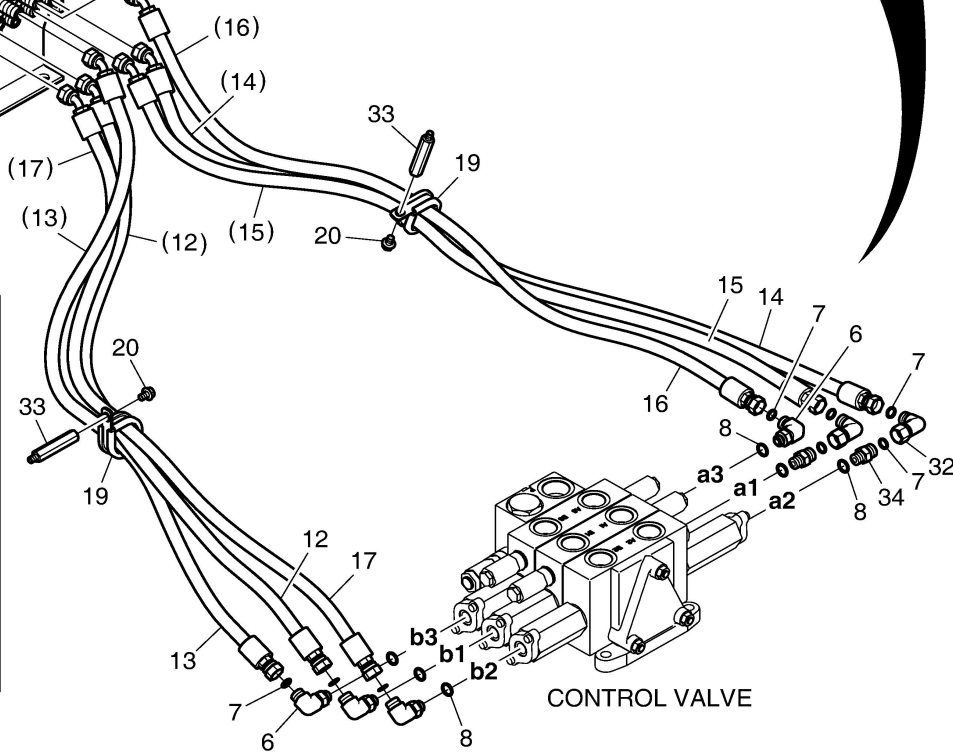
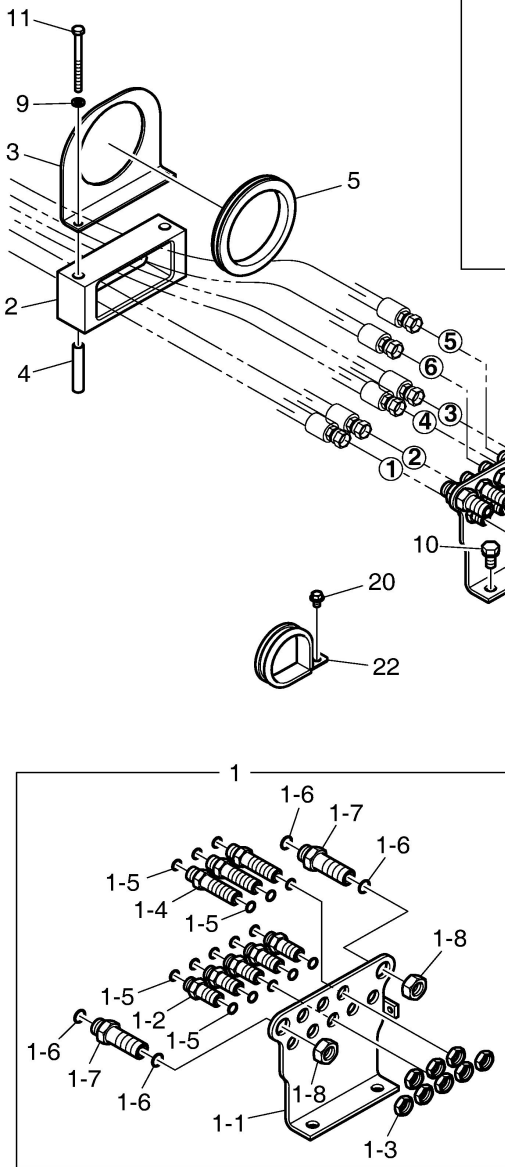
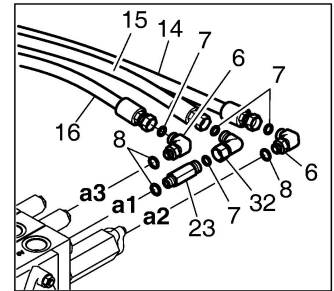


Fig. 1230 REMOTE PRESS CHECK PIPING

Key No	Part No	Description	Qty	S.C	Serial No	ICA	Replacable	Qty
-	420212-02226	PIPING,REMOTE PRESS CHECK	-	D				
1	430222-00005	PORT ASSY,CHECK	1					
1A	120704-00052	SCREW;COUPLING	5					
1B	S8030041	O-RING	5					
2	S0512066	BOLT M10X1.5X25	2					
3	S5102603	WASHER,SPRING:M10	2					
4	K1006651	ADAPTER	1					
5	180-00408	O-RING	1					
6	S8030041	O-RING	1					
7	DS2013786	HOSE	1					
8	DS20131581	HOSE	1					
9	DS2013815	HOSE	1					
10	DS2011542	HOSE	1					
11	DS2011953	HOSE	1					
12	124-00208D6	CLIP	1					
13	K1001029	BOLT	1					

## Fig. 1270 CABIN(1)-BODY

Key No	Part No	Description	Qty	S.C	Serial No	ICA	Replacable	Qty
-	220101-00383	CABIN ASSY	1		5001~5007	I	220101-00383A	1
-	220101-00383A	CABIN ASSY	1		5008~5008	I	220101-00383B	1
-	220101-00383B	CABIN ASSY	1		5009~5064	I	220101-00383G	1
-	220101-00383G	CABIN ASSY	1		5065~10008			
-	220101-00383K	CABIN ASSY	1		10009~			
1	-	BODY ASSY,CABIN	1	D				
15	2120-2166D6	BOLT	10					
16	2120-2166D7	SCREW	4					
17	2415-9001A	NOZZLE	1					
21	2415-1018	ADAPTER;HOSE	1					
22	4185-1777	HOSE;WATER	2					
24	4538-9017	MOTOR;WIPER	1					
25	2120-2166D4	BOLT M10X1.5X20	12					
26	K1029787	ARM;REAR	1		5001~5064	I	300704-00015	1
26	300704-00015	ARM,WIPER	1		5065~			
27	507-00001	BLADE;WIPER	1					
28	4541-9024	ARM;WIPER	1					
29	4507-9003	BLADE;WIPER	1					
30	2538-9005A	MOTOR;WIPER	1					
31	4120-2206	BOLT;U M10X1.5	1					
32	K1005588	TRIM;DOOR	1					
33	621-02577	VISOR;SUN	1					
34	S4500633	NUT	4					
35	K1005591	TRIM;DOOR	1					
37	K1005593	HOOK	1					
38	2142-9005	STRIKER;DOOR	1					
39	2120-2131	SCREW M8X1.25	2					
40	2120-2166D24	SCREW M6X1.0X20	1					
41	2120-2166D16	BOLT M8X1.25X25	6					
42	K1010358	PLATE	2					
43	2120-2166D8	SCREW M5X0.8X14	3					
44	903-00064	MIRROR;ROOM	2					
45	K1024165A	BRACKET	2					
46	534-00085	LAMP;HEAD	2					
46-1	2515-1016D4	BULB;HALOGEN	1					
47	534-00079	ROOM LAMP	1					

Fig. 1310 CABIN(4) – DOOR ASS'Y(R.H)

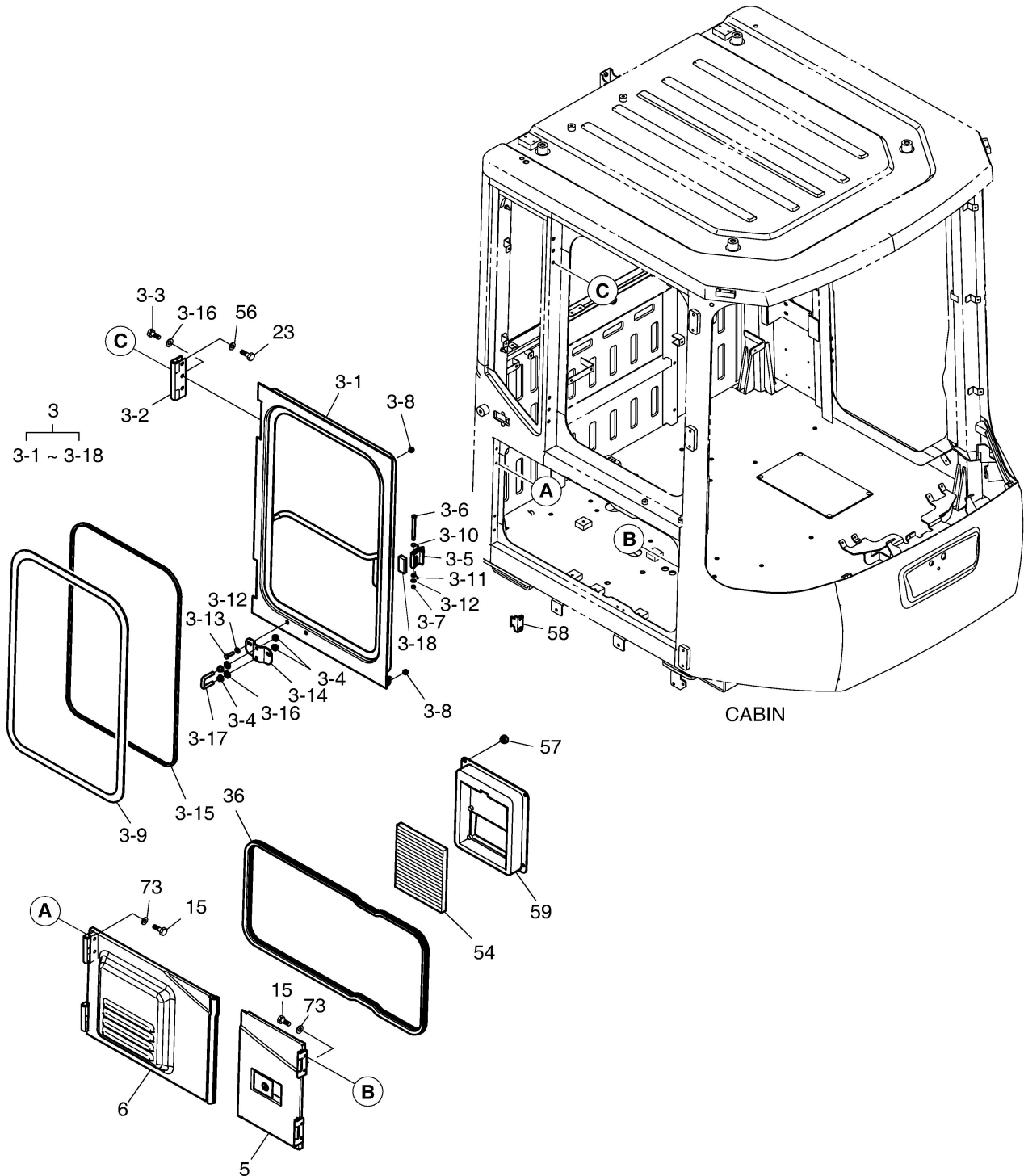
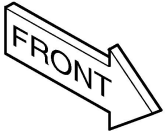


Fig. 1350 SEAT ASS'Y- MECHANICAL

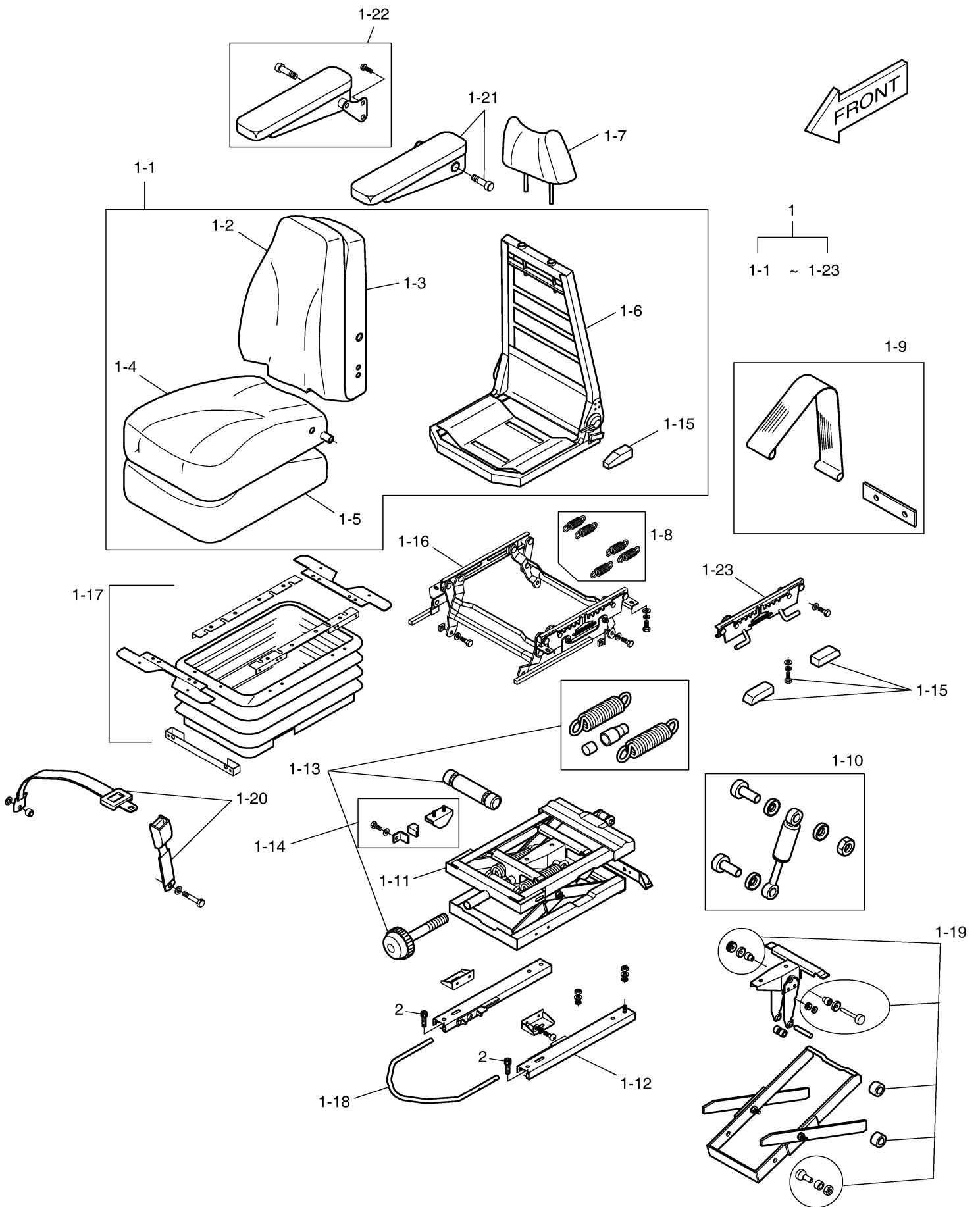


Fig. 1390 BAFFLE ASS'Y

Key No	Part No	Description	Qty	S.C	Serial No	ICA	Replacable	Qty
-	110901-00025	BAFFLE ASSY	-	D				
1	K1018980B	COVER:BAFFLE	1					
2	K1018987A	COVER:BAFFLE	1					
3	110502-00244	COVER,BAFFLE	1					
4	K1018989A	COVER:BAFFLE	2					
5	K1018997A	COVER:BAFFLE	2					
6	110502-00245	COVER,BAFFLE	1					
7	K1017816	BAFFLE	1					
8	K1017817	BAFFLE	1					
9	K1019036	BAFFLE	1					
10	K1019037	BAFFLE	1					
11	K1018996	FOAM	1					
12	DS0025032	BOLT:SET	25					
13	DS0025013	BOLT:SET	8					

## Fig. 1430 FENDER & LADDER

Key No	Part No	Description	Qty	S.C	Serial No	ICA	Replacable	Qty
-	180307-00221	FENDER & LADDER ASSY	-	D				
1	180307-00222	FENDER,FRONT(R.H)	1					
2	180307-00223	FENDER,FRONT(L.H)	1					
3	180307-00224	FENDER,REAR(R.H)	1					
4	180307-00226	FENDER,REAR(L.H)	1					
5	K1015118	LADDER	1		5001~5039	Y	110932-00109	1
5	110932-00109	LADDER(R.H)	1		5040~			
6	K1015117	LADDER	1		5001~5039	Y	110932-00110	1
6	110932-00110	LADDER(L.H)	1		5040~			
7	110932-00018	LADDER(R.H)	1					
8	110932-00019	LADDER(L.H)	1					
9	K1004818B	SUPPORT(R.H)	1					
9-1	K1004816	PIPE(R.H)	1					
9-2	K1006251B	SUPPORT:LAMP(R.H)	1					
9-3	K1006182B	COVER:LAMP(R.H)	1					
9-4	K1005906	LAMP	1					
9-4A	K1010656	BULB:HALOGEN	1					
9-5	K1006366	HARNESS	1					
9-6	DS0025023	BOLT;SET	2					
9-7	K1006592	CAP	1					
10	K1004817B	SUPPORT(L.H)	1					
10-1	K1004815	PIPE(L.H)	1					
10-2	K1006250B	SUPPORT:LAMP(L.H)	1					
10-3	K1006181B	COVER:LAMP(L.H)	1					
10-4	K1005907	LAMP	1					
10-4A	K1010656	BULB:HALOGEN	1					
10-5	K1006366	HARNESS	1					
10-6	DS0025023	BOLT;SET	2					
10-7	K1006592	CAP	1					
11	110932-00001	RUNG,LADDER	2					
12	110926-00004	HANGER;STEP	4					
13	DS0025015	BOLT;SET	16					
14	S0521366	BOLT	8					
15	2114-1058D2	WAHSER	12					
16	S0565466	BOLT	4					
17	DS0025023	BOLT;SET	6					

Fig. 1460 ELECTRIC PARTS – ENGINE

Key No	Part No	Description	Qty	S.C	Serial No	ICA	Replacable	Qty
-	300619-00546	ELECTRIC ASSY;ENGINE	-	D				
1	544-00007	RELAY;PREHEAT	1					
1-1	527-00005	FUSE;PREHEAT RELAY	1					
2	S0504666	BOLT M6X1.0X16	2					
3	S5102303	WASHER;SPRING	2					
4	K1023668	BRACKET;PREHAT RELAY	1					
5	S0511866	BOLT	1					
6	120-00246	BOLT;STUD	1					
7	S5102603	WASHER,SPRING;M10	2					
8	2547-6028	SENSOR;WATER TEMP	1					
9	K1024115A	HARNESS;ENGINE	1					
10	2553-1275D5	CABLE;EARTH	1					
11	S0511853	BOLT	2					
12	S5102603	WASHER,SPRING;M10	1					
13	S5010613	WASHER,PLAIN;M10	2					
14	120-00246	BOLT;STUD	1					
15	S5102603	WASHER,SPRING;M10	6					
16	2197-1661	BRACKET	1					
17	124-00209D1	CLIP	1					
18	124-00208D2	CLIP	4					
19	124-00208D3	CLIP	8					
20	2121-1305	NUT	10					
21	K1001029	BOLT	2					
22	2120-2187	BOLT;STUD	3					
23	2120-2235	BOLT;STUD	2					
24	120-00179	BOLT;STUD	1					
25	2120-2187	BOLT;STUD	1					

Fig. 1500 ELECTRIC PARTS(3) – WIRING

Key No	Part No	Description	Qty	S.C	Serial No	ICA	Replacable	Qty
-	300619-00523	ELECTRIC ASSY;WIRING	-	D				
1	310207-00446A	HARNESS,MAIN	1		5001~5016			
1	310207-00446B	HARNESS,MAIN	1		5017~			
2	530-00067	HARNESS	1		5001~10008			
3	2550-1014D1	TERMINAL;BATTERY(+)	2					
4	2550-1014D2	TERMINAL;BATTERY(-)	2					
5	2553-1275D54	CABLE;BATT -BATT. RELAY	1					
6	2160-1212	CAP;BATT. TML (+)	2					
7	2160-1213	CAP;BATT. TML (-)	2					
8	2553-1275D65	CABLE;STARTER-PUMP	1					
9	2553-1275D6	CABLE;BATT-BATT	1					
10	2553-1275D6	CABLE;BATT-BATT	1					
11	2553-1275D58	CABLE;BATT RY-STARTER	1					
12	2553-1275D12	CABLE;EARTH	1					
13	S5010613	WASHER,PLAIN;M10	4					
14	S5102603	WASHER,SPRING;M10	4					
15	S0511653	BOLT	4					
16	2195-3500	BRACKET	3					
17	S0504366	BOLT	2					
18	S5102303	WASHER;SPRING	2					
19	2120-2187	BOLT;STUD	1					
20	S5102503	WASHER,SPRING;M8	1					
21	2197-1660	BRACKET	4					
22	2197-1661	BRACKET	11					
23	124-00209D1	CLIP	8					
24	124-00208D2	CLIP	13					
25	124-00208D3	CLIP	3					
26	124-00208D4	CLIP	14					
27	K1001029	BOLT	52					

Key No	Part No	Description	Qty	S.C	Serial No	ICA	Replacable	Qty
24	2114-1059D122	SHIM	4					
25	2114-1059D63	SHIM	14					
26	2114-1059D117	SHIM	6					
27	2114-1059D17	SHIM	4					
28	2114-1059D39	SHIM	2					
29	2114-1059D64	SHIM	2					
30	2114-1059D88	SHIM	8					
51	230203-00037	ARM ASSY,LOADER	1					
51-1	K1017108	BUSH	2					
51-2	K1024527	BUSH	2					
51-3	K1017107	BUSH	2					

## Fig. 3100 ENGINE CONNECT -

Key No	Part No	Description	Qty	S.C	Serial No	ICA	Replacable	Qty
-	K1013517C	TRANSMISSION	1					
10	K9000918	BELL;CONVERTER	1					
20	1.120-00117	SCREW	18					
50	250201-00238	DIAPHRAGM	1					
100	1.120-00118	SCREW	4					
110	1.114-00255	WASHER	4					
120	K9006644	CONVERTER	1					

CLICK HERE TO **DOWNLOAD** THE COMPLETE MANUAL

- Thank you very much for reading the preview of the manual.
- You can download the complete manual from: [www.heydownloads.com](http://www.heydownloads.com) by clicking the link below



- Please note: If there is no response to CLICKING the link, please download this PDF first and then click on it.

CLICK HERE TO **DOWNLOAD** THE COMPLETE MANUAL

Key No	Part No	Description	Qty	S.C	Serial No	ICA	Replacable	Qty
210	1.109-00068	BEARING;ROLLER	1					
220	1.109-00068	BEARING;ROLLER	1					
230	1.115-00294	RING;PISTON	2					

Fig. 3180 COUPLING KR – TRANSMISSION

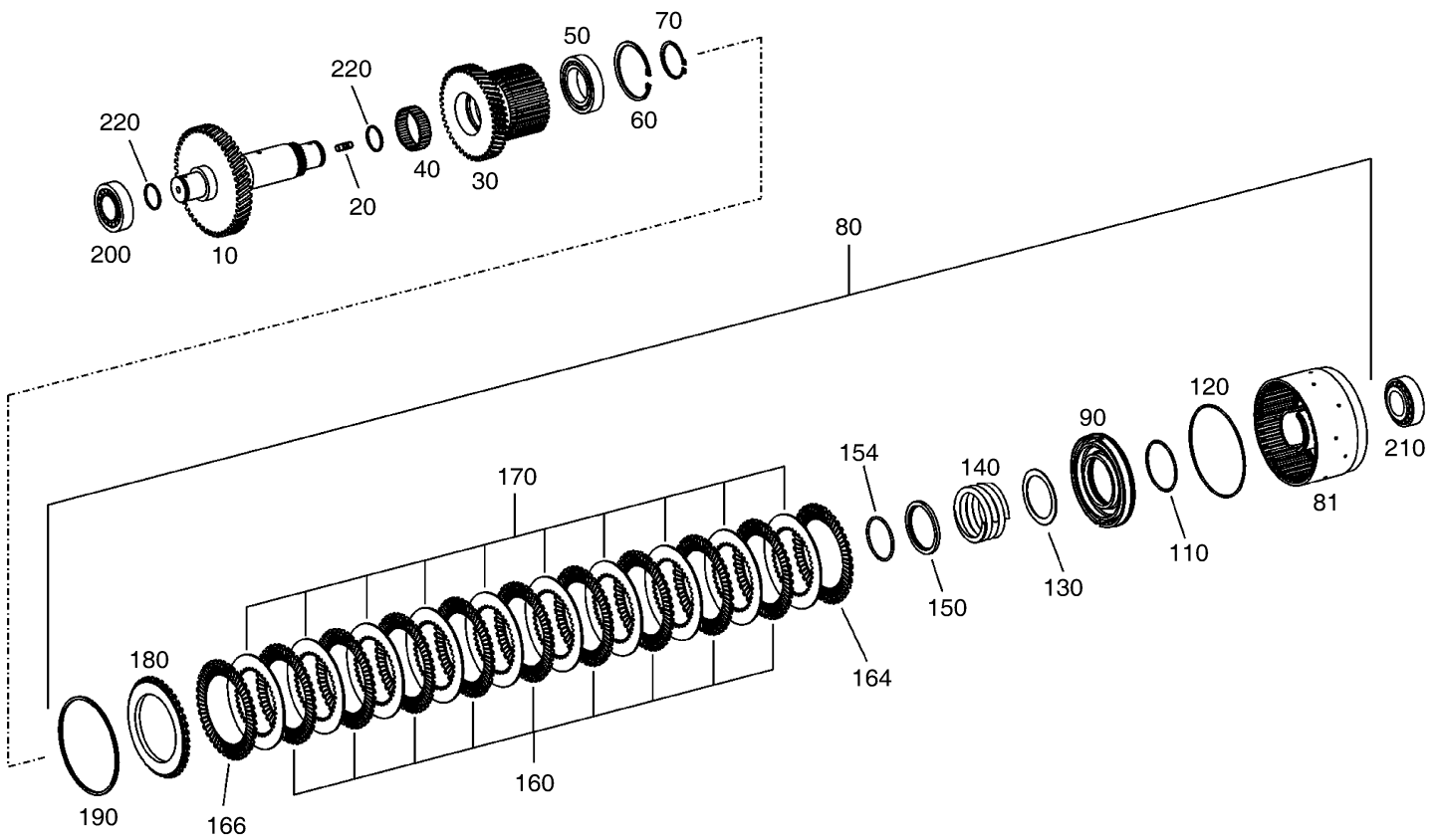


Fig. 3220 GEAR SHIFT SYSTEM(2) -

Key No	Part No	Description	Qty	S.C	Serial No	ICA	Replacable	Qty
10	K9006652	BLOCK;VALVE	1					
20	1.415-00001	ORIFICE	6					
30	1.409-00006	PISTON	6					
40	1.131-00004	SPRING;COMPR.	6					
50	1.409-00007	PISTON	6					
60	1.131-00005	SPRING;COMPR.	6					
70	1.409-00008	PISTON	1					
80	1.131-00006	SPRING;COMPR.	1					
90	K9000101	PISTON;CONTROL	1					
110	1.131-00007	SPRING;COMPR.	1					
150	K9000115	GASKET	1					
160	2.402-00304	HOUSING	1					
170	1.120-00057	SCREW	18					
180	1.421-00001	REGULATOR;PRESSURE	3					
181	1.180-00057	O-RING	3					
190	1.412-00004	PLATE;FIXING	3					
200	1.120-00086	SCREW	3					
210	K9000115	GASKET	1					
220	2.402-00304	HOUSING	1					
230	1.120-00057	SCREW	18					
240	1.421-00001	REGULATOR;PRESSURE	3					
241	1.180-00057	O-RING	3					
250	1.412-00004	PLATE;FIXING	3					
260	1.120-00086	SCREW	3					
270	1.530-00001	HARNESS;WIRING	1					
280	K9000109	GASKET	1					
290	1.430-00002	COVER	1					
300	1.120-00057	SCREW	14					
310	K9000109	GASKET	1					
320	1.430-00003	COVER	1					
330	1.124-00141	CLAMP;RETAINING	1					
340	1.120-00057	SCREW	14					
360	K9006637	PLATE;SEALING	1					
362	1.471-00007	SCREEN	6					
380	K9000100	PLATE;DUCT	1					
390	1.120-00062	SCREW	18					

## Fig. 3270 TEMPERATURE SENSOR –

Key No	Part No	Description	Qty	S.C	Serial No	ICA	Replacable	Qty
54	K9004019	SENSOR;TEMP.	1					
57	1.180-00063	O-RING	1					

Fig. 3320 DIFFERENTIAL HOUSING -

Key No	Part No	Description	Qty	S.C	Serial No	ICA	Replacable	Qty
-	211-00065	AXLE:FRONT	1					
1	2.180-00204	O-RING	2					
2	2.430-00445	COVER:INTERMEDIATE	1					
3	2.402-00132	HOUSING	1					
4	2.181-00110	PLUG	4					
7	2.120-00003	BOLT	2					
8	2.181-00108	PLUG	1					
9	2.115-00338	RING:SNAP	1					
10	2.181-00385	PLUG:MAGNET	3					
11	2.430-00442	COVER:INTERMEDIATE	1					
15	2.181-00109	PLUG	1					
17	2.181-00453	VENT	1					
21	2.180-00205	O-RING	2					

Fig. 3360 INTERMEDIATE CONNECT –

Key No	Part No	Description	Qty	S.C	Serial No	ICA	Replacable	Qty
1	120312-00113	NUT	4					
2	120112-00356	BOLT	28					
3	120812-00060	WASHER,SPRING	4					
4	120408-00034	STUD	4					

Fig. 3410 MAIN PUMP

50 : 24,25,33,34,35,50  
 51 : 21,22,27,28,29

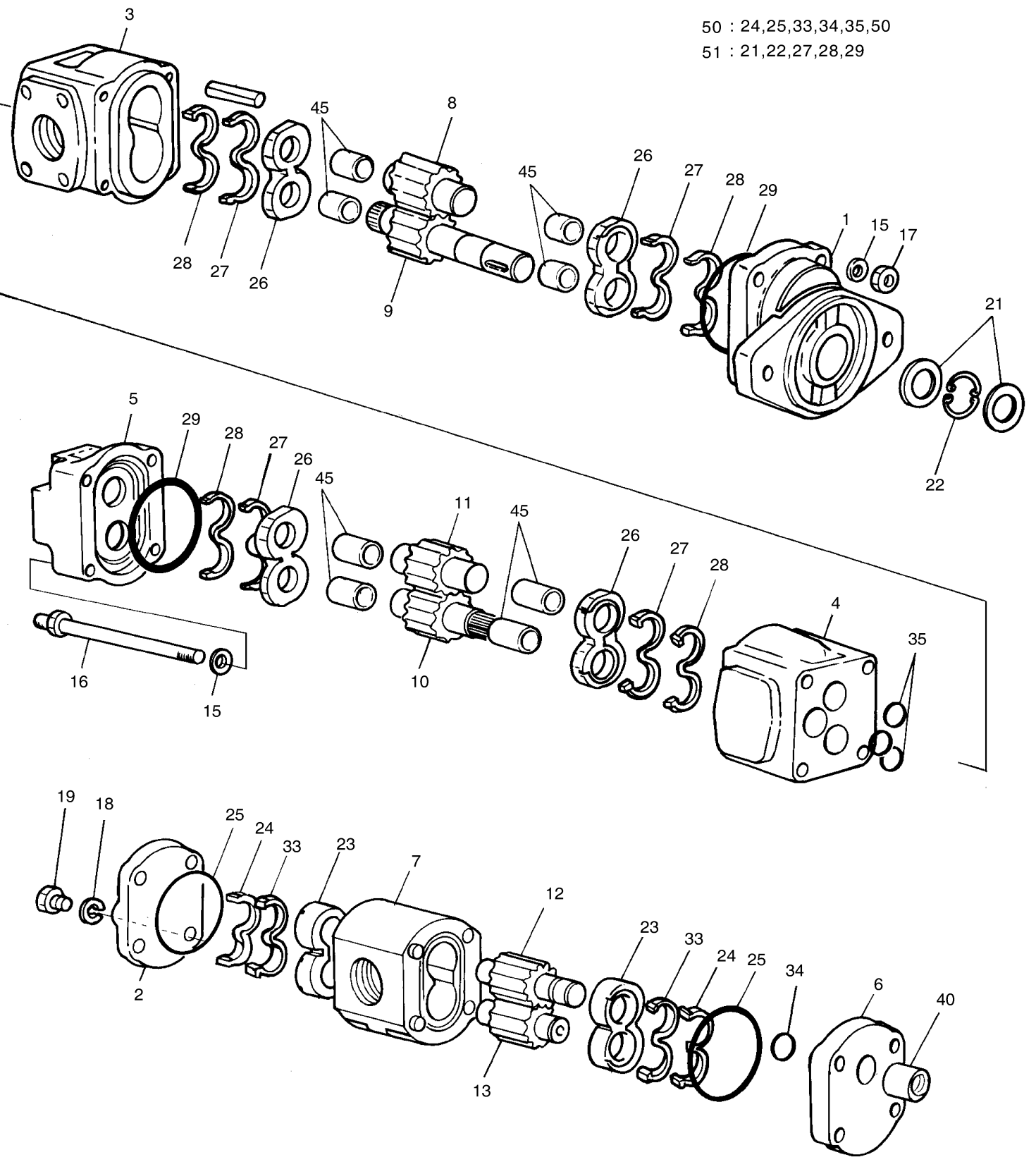


Fig. 3460 CONTROL VALVE – 3 SPOOL

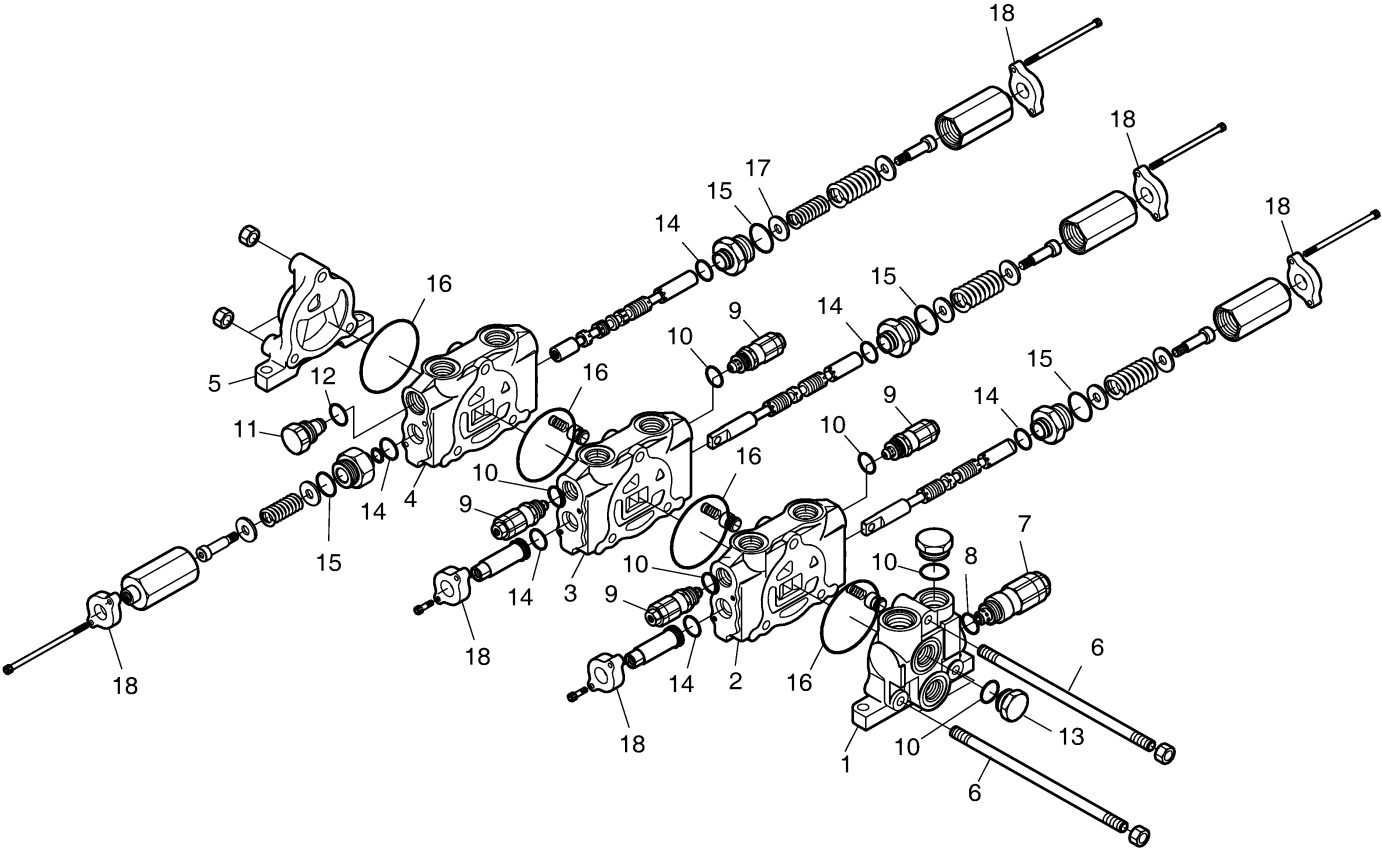


Fig. 3510 FAN MOTOR

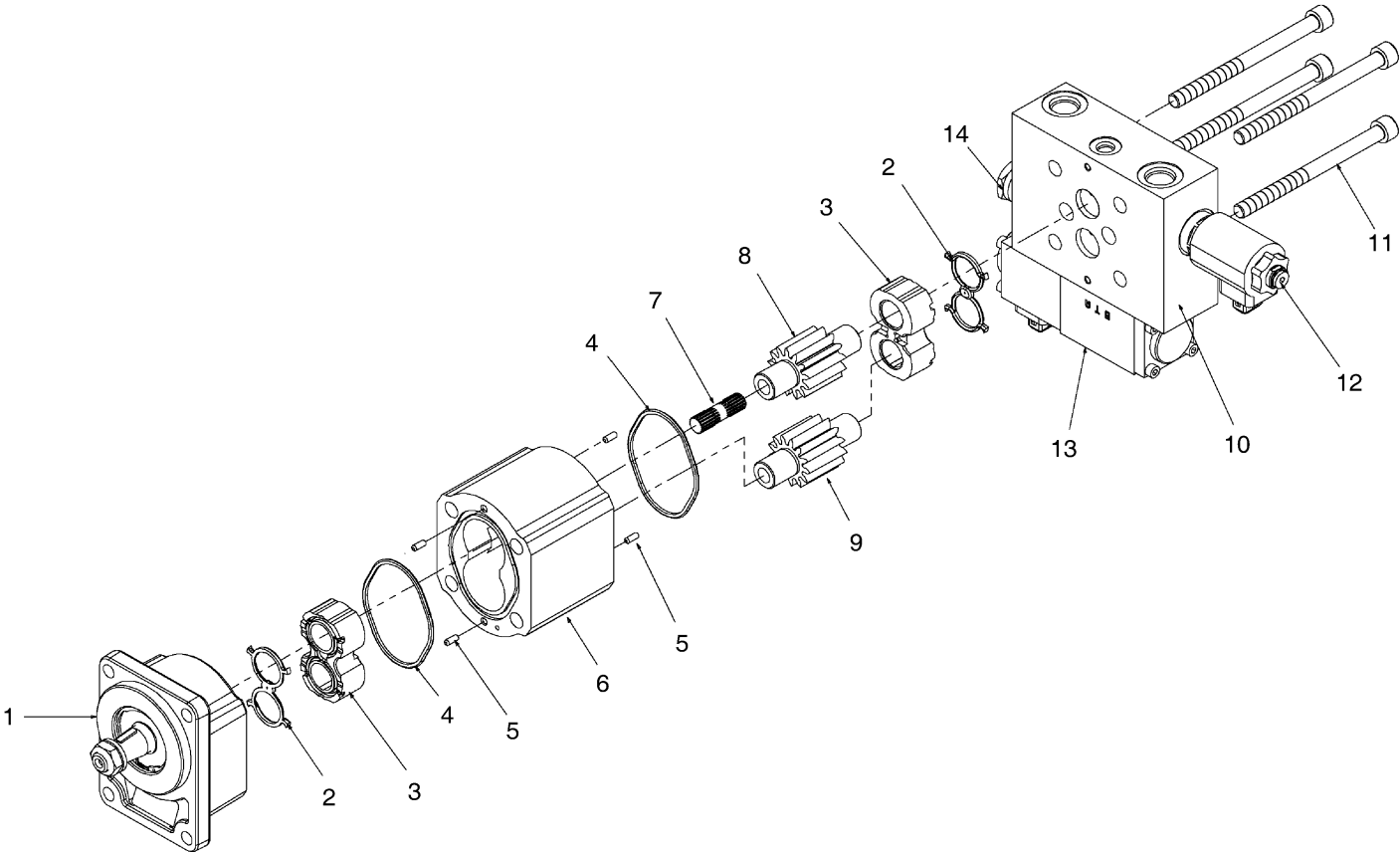


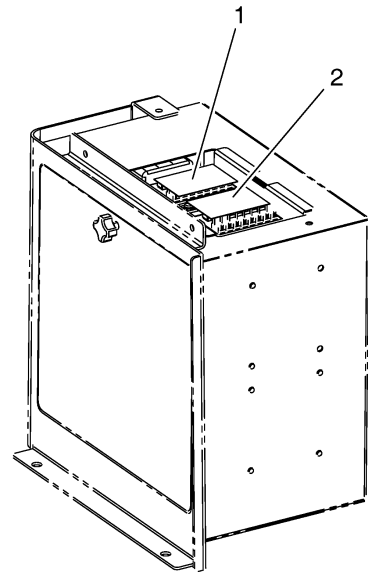
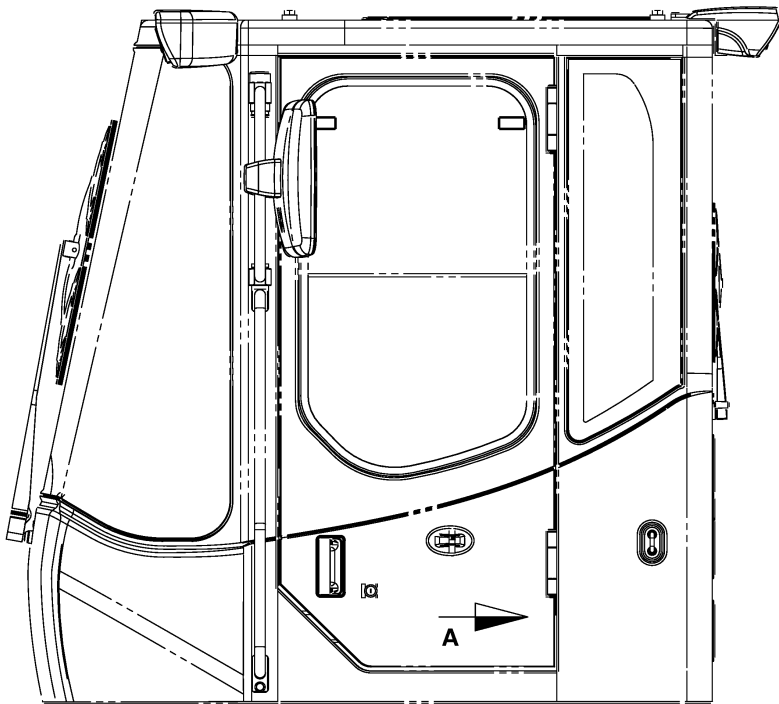
Fig. 3541 REMOTE CONTROL VALVE – FNR

Key No	Part No	Description	Qty	S.C	Serial No	ICA	Replacable	Qty
-	410113-00156	VALVE ASSY,JOYSTICK	1					
1	101101-00233	LEVER KIT;2ND	1					
2	410207-00402	SPOOL KIT	1					
3	160601-00771	BODY	1					
4	110958-01843	SUPPORT:CLIP	3					
5	120112-01047	BOLT	3					
6	310401-00987	CABLE KIT	1					
7	2.550-00001	PIN:KEYING	2					
8	2.550-00002	TERMINAL	6					
9	120402-00335	CLIP,BAND	4					
10	250201-02226	PLATE KIT	1					
11	430215-00630	FLANGE KIT;HANDLE UPPER	1					
12	120808-00605	WASHER	1					
13	S4013051	NUT-HEXAGON	1					
14	430205-00037	BELLOWS	1					
15	110925-00228	HANDLE	1					
16	410207-00403	SPOOL KIT;(UT4,5,6)	1					
17	410207-00404	SPOOL KIT;(UT1,2,3)	1					

## Fig. 4100 TOOL

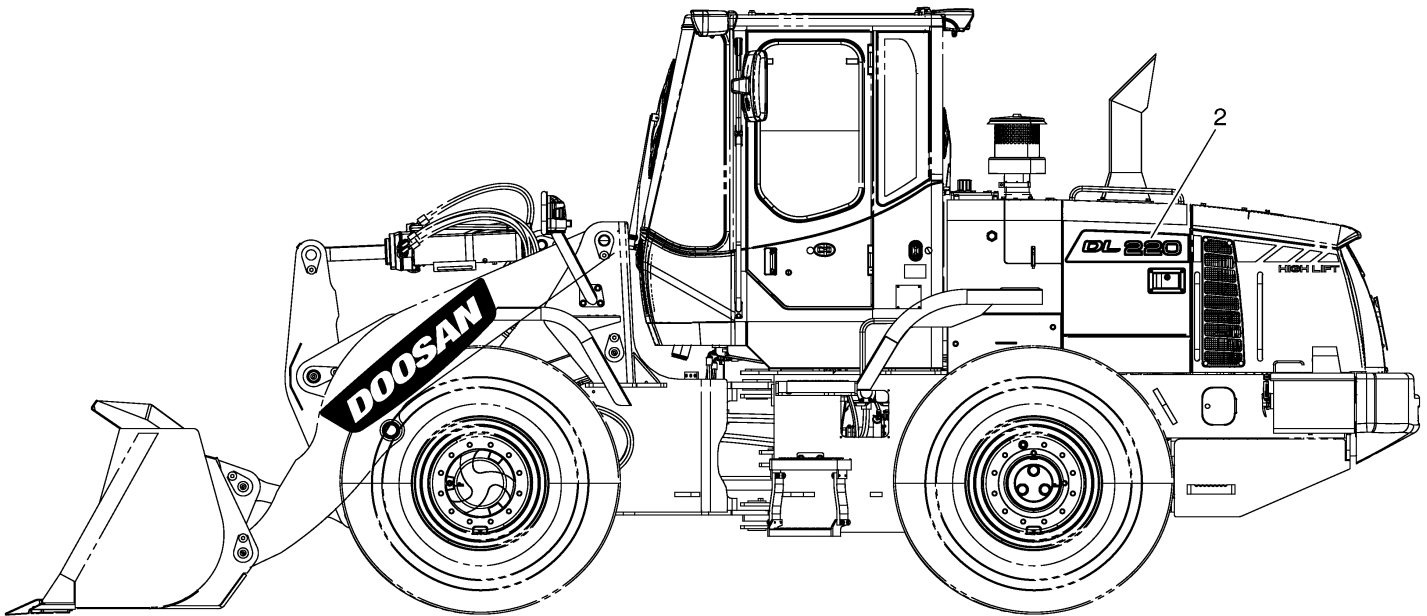
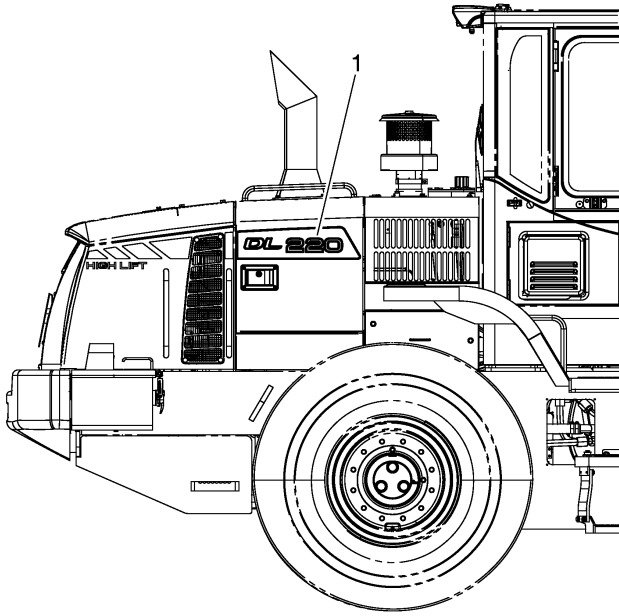
Key No	Part No	Description	Qty	S.C	Serial No	ICA	Replacable	Qty
-	850329-00039	TOOL	-	D				
1	850329-00049	TOOL ASSY	1					
1-1	2199-9043	BOX:TOOL	1					
1-5	T6580020	WRENCH;ADJUST	1					
1-6	T7050003	DRIVER(-)	1					
1-7	T7050013	DRIVER	1					
1-8	T7050021	DRIVER	1					
1-9	T7050022	DRIVER	1					
1-10	T7500004	PILER:COMBI	1					
1-11	T7570003	CUTTER PLIER 8	1					
1-13	T7260057	HAMMER	1					
1-14	2199-1004	BAR	1					
1-15	2199-1005	PIPE	1					
1-19	T6690012	BAR:EXTENSION	1					
1-20	T6690013	BAR:EXTENSION	1					
1-21	T6750003	HANDLE:RATCHET	1					
1-22	2199-9009	CLIP:DRIVER	1					
1-24	2199-9057	WRENCH;FILTER	1					
1-25	2199-9014	WRENCH;T	1					
1-26	T6550005	L-WRENCH	1					
1-27	T6550006	L-WRENCH	1					
1-28	T6550007	L-WRENCH	1					
1-29	T6550009	L-WRENCH	1					
1-30	T6550011	L-WRENCH	1					
1-35	T6510062	SPANNER	1					
1-36	T6510066	SPANNER 10x13	1					
1-37	T6510070	SPANNER	1					
1-38	T6510072	SPANNER	1					
1-39	T6510075	SPANNER 19x22	1					
1-40	T6510079	SPANNER 22x24	1					
1-41	T6510081	SPANNER 24X27	1					
1-42	T6510085	SPANNER 27X30	1					
1-43	T6510087	SPANNER 30x32	1					
1-44	T6510089	SPANNER 32X36	1					
1-45	T6510091	SPANNER 36X41	1					
1-46	T6510092	SPANNER 41X46	1					

Fig. 4150 DECAL – FUSE BOX



DETAIL A ELECTRIC BOX

Fig. 4200 DECAL – MACHINE NAME

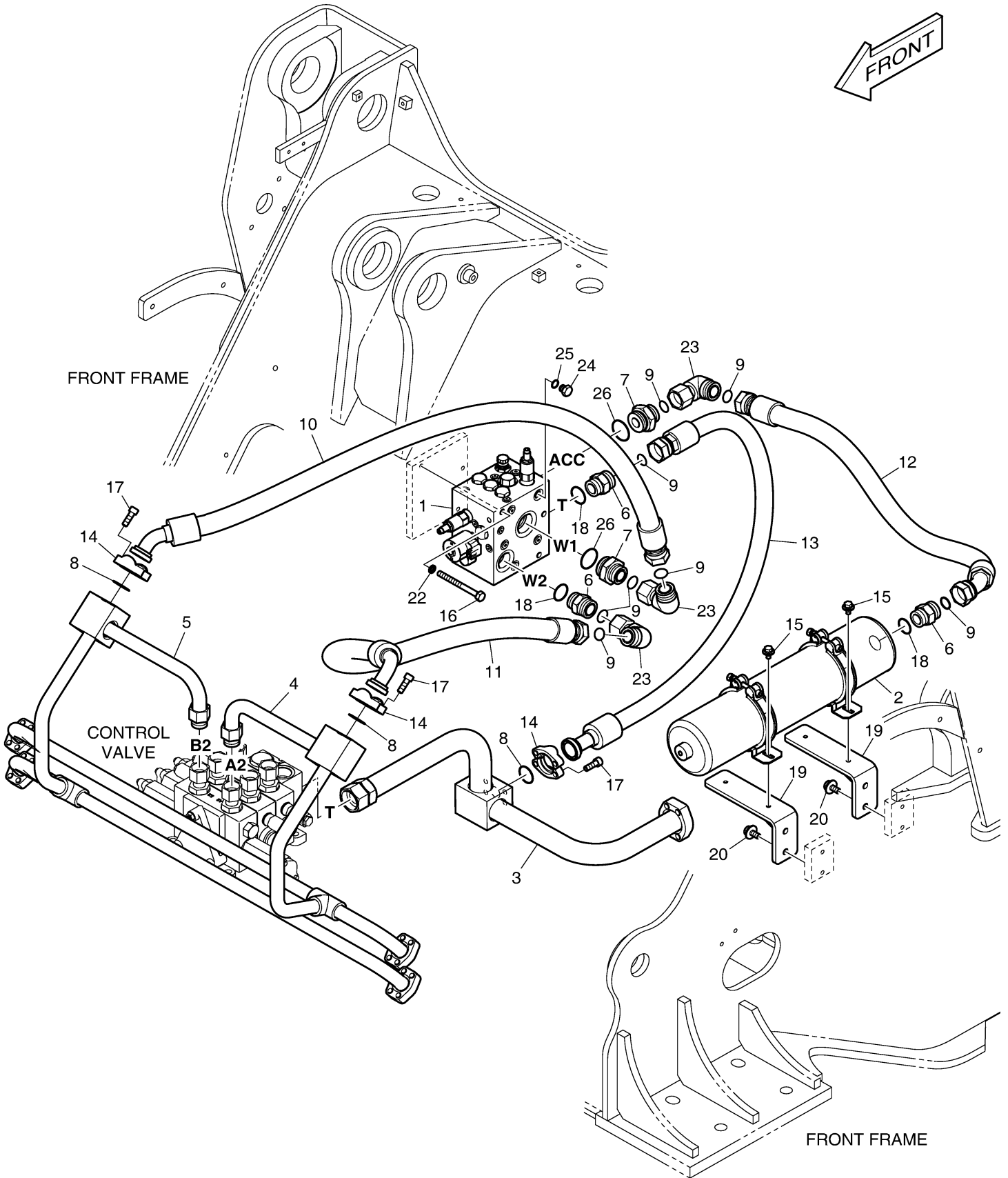


Key No	Part No	Description	Qty	S.C	Serial No	ICA	Replacable	Qty
32	DS2011113	HOSE ASSY, HYDRAULIC	1					
33	DS2242021	ADAPTER	1					
34	2120-2187	BOLT;STUD	1					
35	124-00208D5	CLIP	1					

Fig. 5140 PILOT PIPING – FINGER + 3

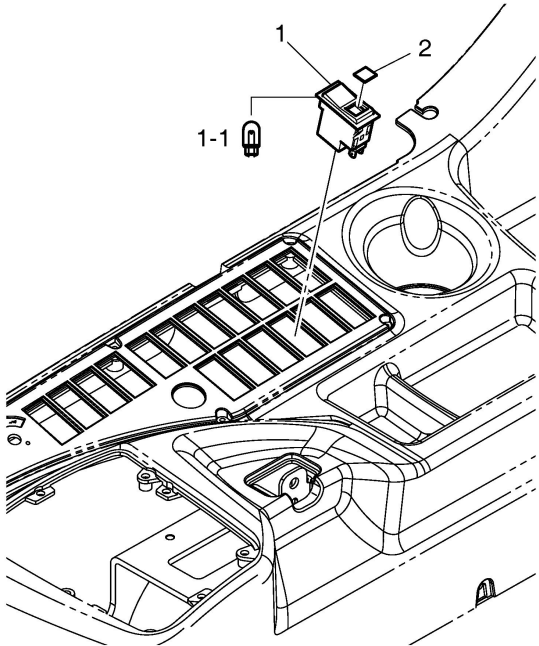
Key No	Part No	Description	Qty	S.C	Serial No	ICA	Replacable	Qty
-	420212-02221	PIPING,PILOT;FINGERTIP-3SPO	-	D				
1	430216-00040	JOINT SUB ASSY	1					
1-1	110406-00564	BRACKET	1					
1-2	DS2415002	ADAPTER	5					
1-3	DS0301032	NUT	8					
1-4	DS2415009	ADAPTER	3					
1-5	S8030061	O-RING	16					
1-6	S8030081	O-RING	4					
1-7	DS2415008	ADAPTER	2					
1-8	121-00010D5	NUT	2					
2	K1010139	RUBBER	1					
3	K1013313	BRACKET	1					
4	K1010903	SPACER	2					
5	2160-1004D57	GROMMET	1					
6	DS2232066	ADAPTER	6		5001~5054			
6	DS2304052	ELBOW	5		5055~5064			
6	DS2304052	ELBOW	4		5065~			
7	S8030061	O-RING	6		5001~5054			
7	S8030061	O-RING	7		5055~5064			
7	S8030061	O-RING	8		5065~			
8	S8040061	O-RING	6					
9	S5102503	WASHER,SPRING;M8	2					
10	DS0025021	BOLT;SET	2					
11	S0557266	BOLT	2					
12	DS2020084	HOSE	1		5001~5054			
12	DS2012979	HOSE ASSY,HYDRAULIC	1		5055~			
13	DS2020083	HOSE	1		5001~5054			
13	DS2012019	HOSE	1		5055~			
14	DS2020104	HOSE ASSY	1		5001~5054			
14	DS2012018	HOSE	1		5055~			
15	DS2020105	HOSE ASSY	1		5001~5054			
15	DS2012921	HOSE ASSY,HYDRAULIC	1		5055~			
16	DS2020104	HOSE ASSY	1		5001~5054			
16	DS2012010	HOSE	1		5055~			
17	DS2020100	HOSE	1		5001~5054			
17	DS20121000	HOSE ASSY,HYDRAULIC	1		5055~			

Fig. 5171 LOAD ISOLATION SYSTEM

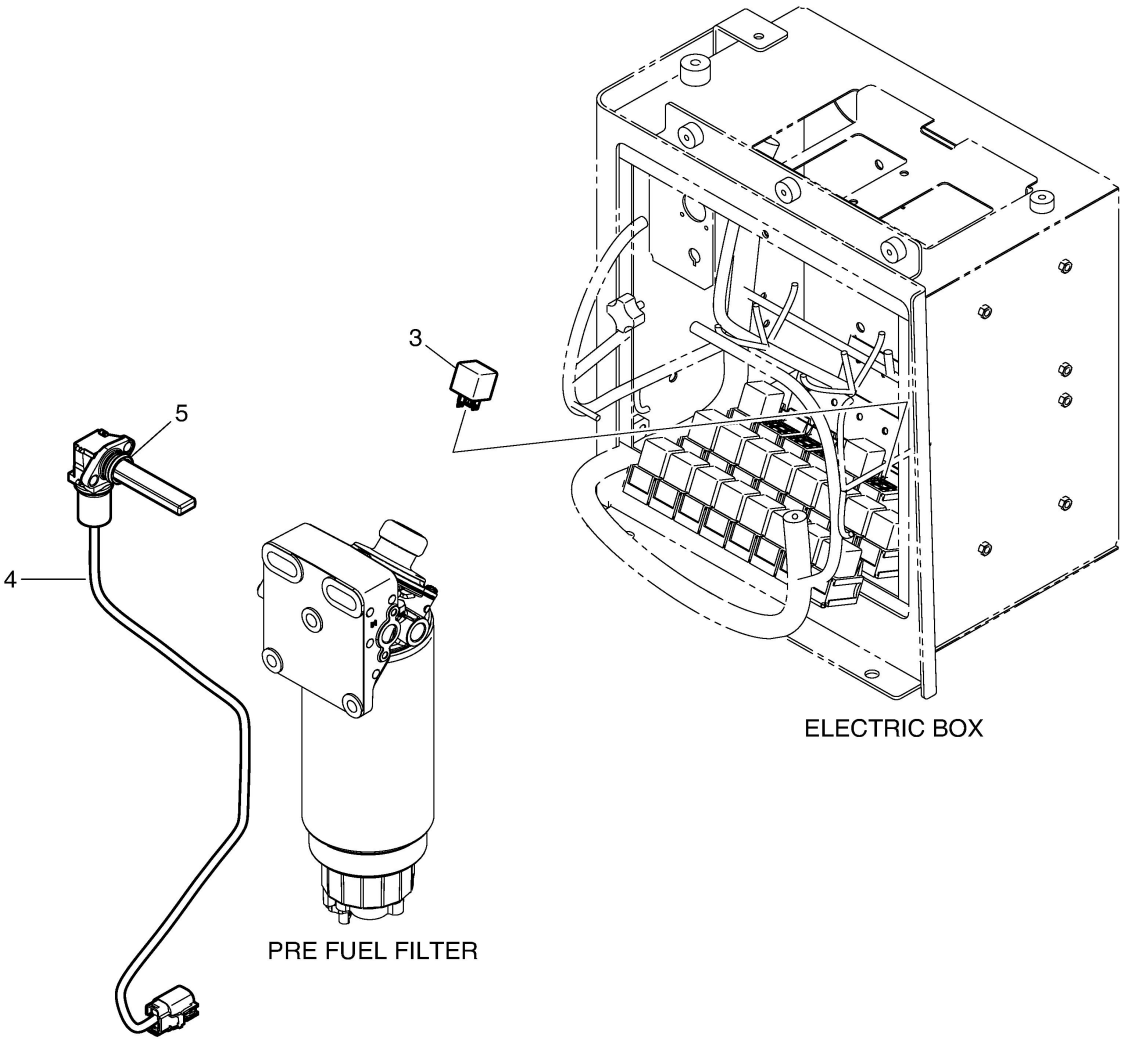


Key No	Part No	Description	Qty	S.C	Serial No	ICA	Replacable	Qty
18	250201-00003	PLATE	8					
19	DS0025030	BOLT	16					
20	K1046074	CHOCK;WHEEL	2					
21	K1046075	CASE;WHEEL CHOCK	2					
22	S2208866	BOLT;SOCKET	8					
23	S5010513	WASHER,PLAIN;M8	8					
24	K1030175	PLATE	2					
25	K1018630A	RUBBER	2					
26	2124-1622D1	CLIP;BAND	6					
27	DS0025014	BOLT;SET	8					
28	K1013278	CAP	4					

Fig. 5250 FUEL HEATER



CABIN INTERIOR PANNEL



ELECTRIC BOX

PRE FUEL FILTER

Fig. 5300 NOISE FILTER – WIPER MOTOR



FROM CABIN  
SUB HARNESS

2

1

TO WIPER MOTOR

CABIN SUB  
HARNESS

REAR WIPER MOTOR  
2538-9005

CABIN

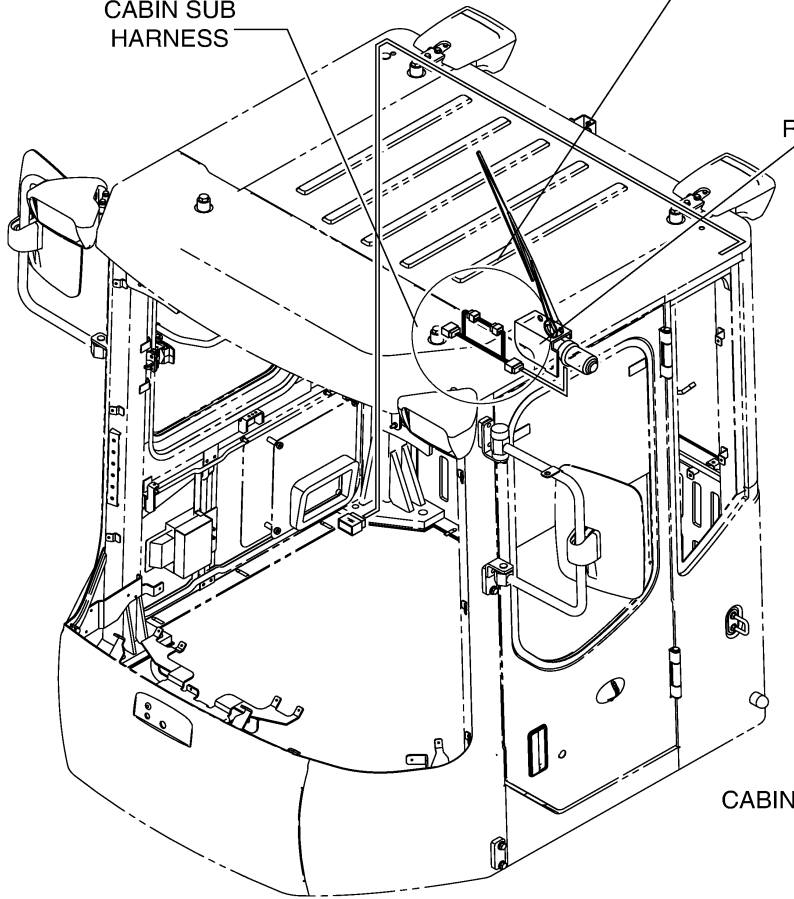
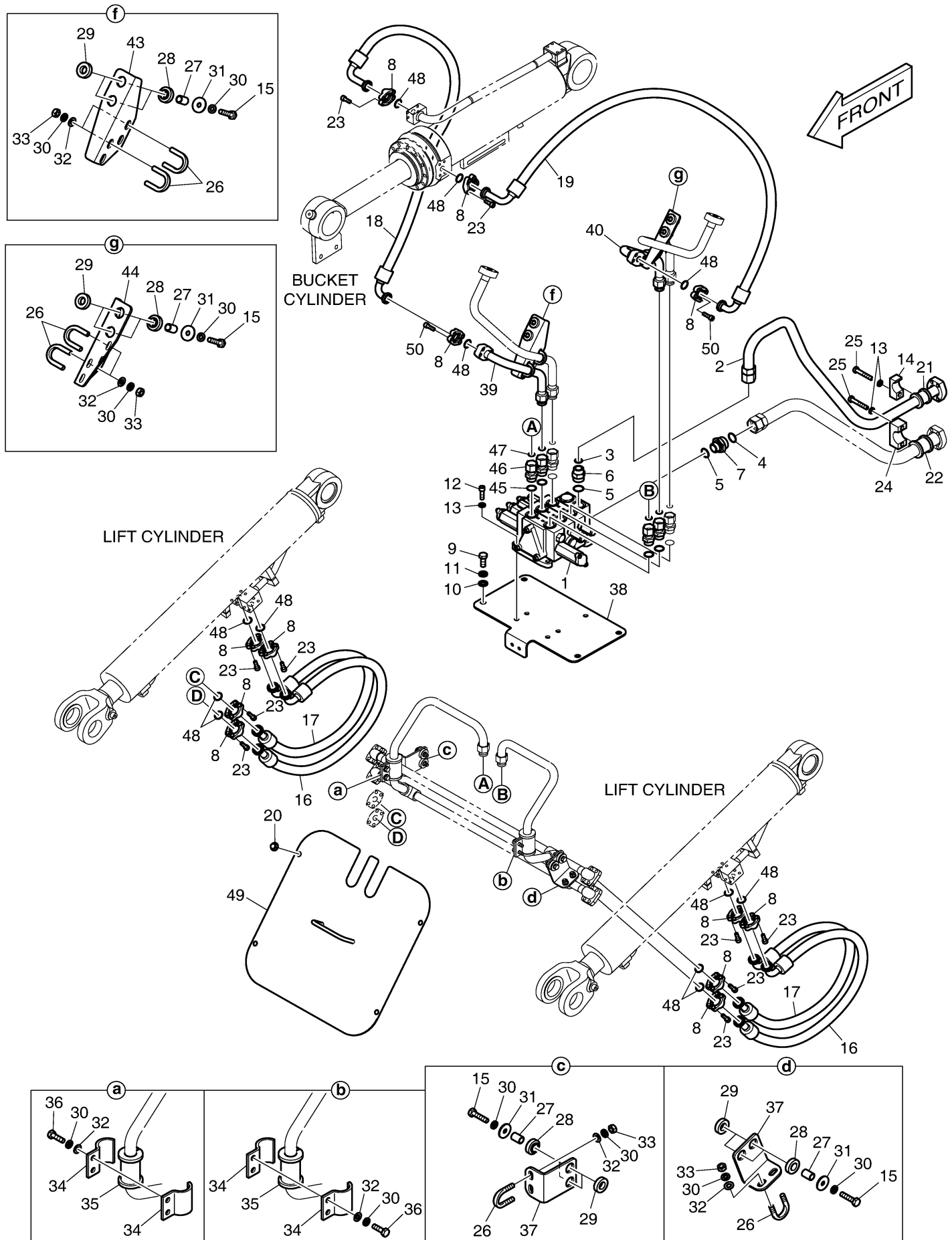


Fig. 5350 CONTROL VALVE PIPING - ADD



CLICK HERE TO **DOWNLOAD** THE COMPLETE MANUAL

- Thank you very much for reading the preview of the manual.
- You can download the complete manual from: [www.heydownloads.com](http://www.heydownloads.com) by clicking the link below



- Please note: If there is no response to CLICKING the link, please download this PDF first and then click on it.

CLICK HERE TO **DOWNLOAD** THE COMPLETE MANUAL