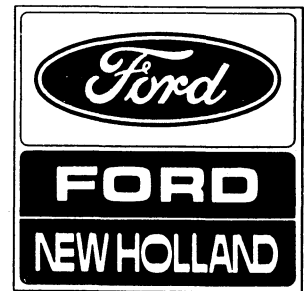
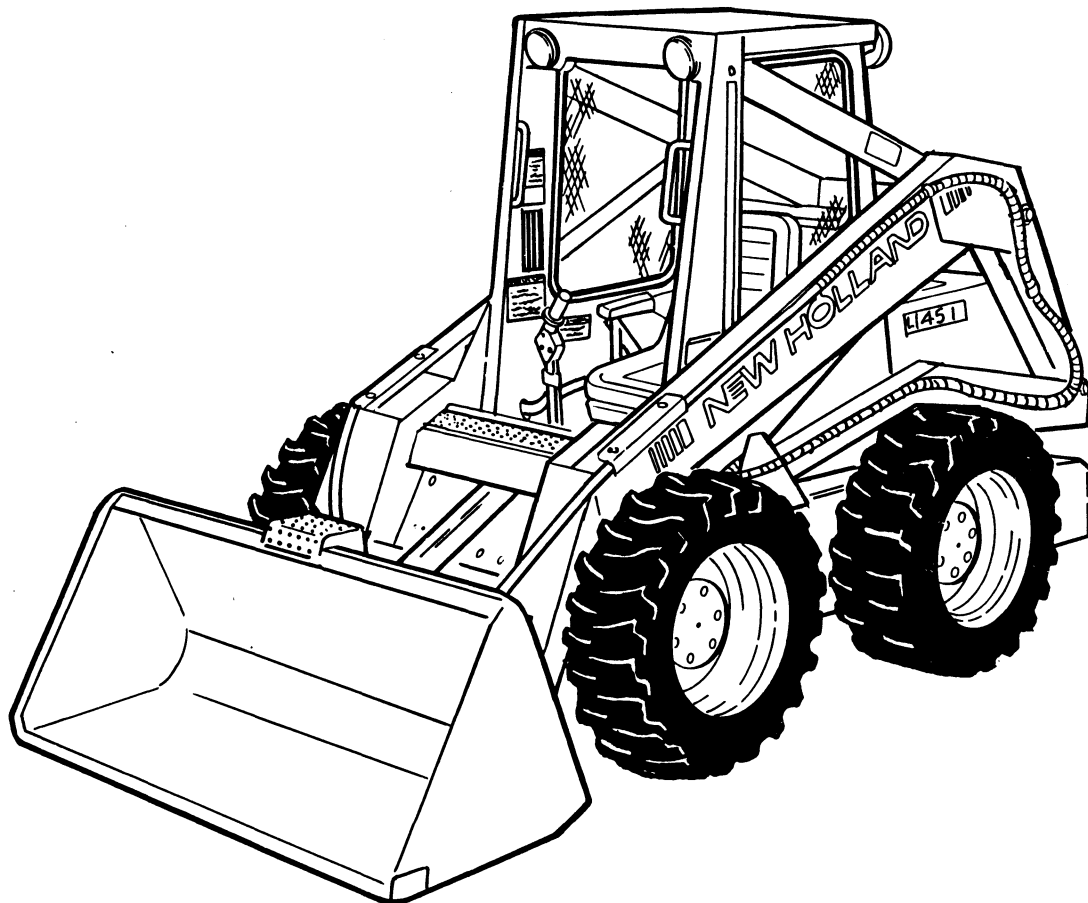


Service Parts Catalog
Liste de Pièces de Rechange
Ersatzteilliste
Catalogo Pezzi di Ricambio
Onderdelenlijst



MODEL L-451 & L-452
SKID-STEER LOADERS



Catalog 5045123

ISSUE 5-91

Printed in the U.S.A.

CLICK HERE TO **DOWNLOAD** THE COMPLETE MANUAL

- Thank you very much for reading the preview of the manual.
- You can download the complete manual from: www.heydownloads.com by clicking the link below



- Please note: If there is no response to CLICKING the link, please download this PDF first and then click on it.

CLICK HERE TO **DOWNLOAD** THE COMPLETE MANUAL

ABBREVIATION INDEX

ABBREV.	ENGLISH	DEUTSCH	FRENCH	SPANISH
— T —				
12P	12 Point	12 Spitze	12 Pointe	12 Punto
T	Teeth	Zähne	Dents	Dientes
TRANS PTO	Transmission Power Take Off	Getriebe-Zapfwelle Transmission	Prise de Force sur Transmission	Toma de Fuerza
TH	Truss Head	Sprengkopf	Tete Renforcée	Cabeza de Refuerzo
THK	Thick	Dick	Épais	Grueso
THS	Truss Head Slotted	Sprengkopf Geschlitzt	Tete Renforcée a Fente	Cabeza de Refuerzo Ranurada
TL BX	Tool Box	Werkzeugkasten	Boîte à Outils	Caja de Herramientas
TLR BKS	Trailer Brakes	Anhänger-Bremsen	Freins de Remorque	Freno de Remolque
TOB SPCL	Tobacco Special	Tabakbau Spezial	Spécial Tabac	Tabaco Especial
TQ CONV TRANS	Torque Converter Transmission	Wandlergetriebe	Transmission avec Convertisseur de Couple	Convertidor de Transmisión de Torsión
TRNS	Transmission	Getriebe	Transmission	Transmisión
TRNS MTD PMP	Transmission Mounted Pump	Am Getriebe montierte Pumpe	Pompe Montée sur Transmission	Bomba Montaje Transmisión
TS	Thumb Screw	Flügelschraube	Vis a Oreilles	Perilla
TSC	Tool Storage Compartment	Werkzeugfach	Compartment à Outils	Compartimiento de Herramientas
TUB	Tubular	Röhrenförmig	Tubulaire	Tubular
TURN IND	Turn Indicators	Blinker-Anzeiger	Clignotants	Luz Señal de Viraje
— U —				
U/S	Undersize	Unterdimensioniert	De Petite Taille	Subtamaño
UK	United Kingdom	United Kingdom	Royaume Uni	Gran Bretaña
UNC	Coarse Thread	Grobgewinde	Gros Filet	Rosca Gruesa
UNF	Fine Threads	Feingewinde	Filet Fin	Rosca Fina
US	United States	U.S.A.	Etats-Unis	Estados Unidos
USR	Underserrated	Unterfächert	Avec des Dents Trop Petites	Enmuescado
— V —				
V	Brazil	Brasilien	Brésil	Brazil
V EXH	Vertical Exhaust	Senkrechter Auspuff	Echappement Vertical	Escape Vertical
VLV	Valve	Ventil	Soupape	Válvula
VW	View	Ansicht	Vue	Vista
— W —				
W	Watt	Watt	Watt	Vatio
W ADJ	Wide Adjustable	Breiten-verstellbar	Voie Réglable	Ajuste Largos
W FDRS	Wide Fenders	Breite Kotflügel	Ailes Larges	Guardafangos Largos
W/	With	Mit	Avec	Con
W/O	Without	Ohne	Sans	Sin
W/RT DG	With Return to Dig	Mit Rücklauf zum Sammelbehälter	Avec retour pour creuser	Con regreso a cavar
WA	Weld Assembly	Schweissaufbau	Ensemble Soudé	Conjunto Soldado
WD	Wheel Drive	Radantrieb	Transmission sur Roue	Rueda Motriz
WET A CLNR	Wet Air Cleaner	Ölbad-Luftfilter	Filtre à Air à Bain d'Huile	Limpiador del Aire Húmedo
WL	With Lockwasher	Mit Sicherungsscheibe	Avec Rondelle-Frein	Con Arandela de Seguridad
WN	Weld Nut	Schweissmutter	Écrou Soudé	Tuerca Soldada
WNDW	Window	Fenster	Fenêtre	Ventana
WNGN	Wing Nut	Flügelmutter	Écrou a Oreilles	Tuerca Mariposa
WNGS	Wing Screw	Flügelschraube	Vis a Oreilles	Tornilla Mariposa
WOOD	Woodruff	Woodruff	Woodruff	Medialuna
WR	Wire	Draht	Fil	Alambre
WS	Weatherstrip	Dichtungstreifen	Bouirelet d'Étanchéité	Burlete
WSC	Wood Screw	Holzschraube	Vis a Bois	Tornillo Para Madera
WSHLD	Windshield	Windschutzscheibe	Pare-brise	Parabrisas
WSHR	Washer	Scheibe	Rondelle	Arandela
WW	Windshield Washers	Scheiben-Waschanlage	Lave-glace	Lavador del Parabrisas

— X —

— Y —

— Z —

1-3

L-451 & L-452 SKID-STEER LOADERS

FIGURE 1A1 — MAIN FRAME HAUPT FUNDAMENT RAHMEN CHÂSSIS PRINCIPALE UNIDAD PRINCIPAL						
FIG.	FN	PART NUMBER	FINIS	YR/SN	QTY.	DESCRIPTION
1		609530	8609530		1	Main Frame Weld Assembly
2		613649	8613649		1	Hydraulic Oil Dipstick
3		64580	8064580		1	Breather, Air Filter
4		610896	8610896		1	Cover, LH
		690341	8690341		4	Self-Tapping Screw, HWH, USR, 5/16 x 5/8
5		610673	8610673		1	Cover, RH
		690341	8690341		4	Self-Tapping Screw, HWH, USR, 5/16 x 5/8
6		609028	8609028		2	Cover
		690341	8690341		8	Self-Tapping Screw, HWH, USR, 5/16 x 5/8
7		9619866	9619866		8	Wire Retainer, Side Screens
		280327	8280327		8	Carriage Bolt, G5, 5/16 x 3/4
		87362	8087362		8	Washer, SAE 5/16
		280736	8280736		8	Locknut, 5/16
8		608936	8608936		1	Side Sheet, LH
		255918	8255918		2	Self-Locking Screw, HWH, USR, 3/8 x 3/4
		247780	8247780		2	Flange Nut, USR, 3/8
9		608937	8608937		1	Side Sheet, RH
		255918	8255918		2	Self-Locking Screw, HWH, USR, 3/8 x 3/4
		247780	8247780		2	Flange Nut, USR, 3/8
10	PL				1	Sound Barrier, LH
11	PL				1	Sound Barrier, RH
12		639113	8639113		1	Shield Assembly
		690341	8690341		3	Self-Tapping Screw, HWH, USR, 5/16 x 5/8
13		639114	8639114		1	Shield Assembly
		690341	8690341		3	Self-Tapping Screw, HWH, USR, 5/16 x 5/8
14		9801521	9801521		1	Cover Assembly, LH Includes - (1) Fig 19
		690341	8690341		2	Self-Tapping Screw, HWH, USR, 5/16 x 5/8
15		9801520	9801520		1	Cover Assembly, RH Includes - (1) Fig 19
		690341	8690341		2	Self-Tapping Screw, HWH, USR, 5/16 x 5/8
16		56513	8056513		1	Pipe Plug, 1/8
17		244457	8244457		2	Clamp
		280703	8280703		4	Cap Screw, HH, G5, #10 x 3/4
		80684	8080684		4	Lockwasher, #10
		9610772	9610772		4	Blind Rivet, 3/16 x .450
18		253795	8253795		1	Bottom Plate Weld Assembly
		714555	8714555		6	Self-Locking Screw, HWH, USR, 3/8 x 1
19		638440	8638440		AR	Boot
20		647444	8647444		2	Plastic Plug
21		609379	8609379		1	Panel Weld Assembly
		677808	8677808		2	Thread-Forming Screw, 1/4 x 5/8
22		716674	8716674		2	Wear Strip
		617910	8617910		8	Thread-Cutting Screw, 1/4 x 1
23	PL				1	Rear Window - Install Using Fig Nos 25 and 26 (Refer to Fig 1C5 for Dimensions)
24		262152	8262152		2	Side Screen - Install Using Fig Nos 25 and 26
25		134704	8134704		AR	Molding, 18' Long (5486mm) - Cut to Length Required
26		134703	8134703		AR	Filler Strip, 18' Long (5486mm)- Cut to Length Required
27		9609407	9609407		1	Top Weld Assembly
28		275053	8275053		AR	Sealing Strip, 1/8 x 1 x 30 Long 3.2mm x 25.4mm x 762mm

AR - As Required
PL - Purchase Locally

L-451 & L-452 SKID-STEER LOADERS

FIGURE 1C1 — FRONT & REAR MUD GUARD KITS
VORDER- UND HINTERE SCHMUTZKOTTFULUEGELSATZ
TROUSS DE GARDES-BOUES-AVANT ET ARRIERE
JUEGO DE GUARDABARROS - DELANTEROS Y TRASEROS

FIG.	FN	PART NUMBER	FINIS	YR/SN	QTY.	DESCRIPTION	
1	OW	570747	8570747		1	Front Mud Guard Kit	
		714555	8714555		3	Front Mud Guard	
		247780	8247780		3	Self-Locking Screw, HWH, USR, 3/8 x 1 Flange Nut, USR, 3/8	
2	OW	712043	8712043	-/12-85		Rear Mud Guard Kit	
		88206	8088206		1	Plate Weld Assembly	
		88011	8088011		7	Cap Screw, HH, G5, 3/8 x 1	
		80702	8080702		1	Cap Screw, HH, G5, 3/8 x 1 1/4	
		80680	8080680		8	Washer, 3/8	
			8080680		8	Lockwasher, 3/8	
		3	710062		8710062	1	Plate
			88206		8088206	3	Cap Screw, HH, G5, 3/8 x 1
			80680		8080680	3	Lockwasher, 3/8
		4	33084		8033084	1	Support Plate
	88206	8088206	2	Cap Screw, HH, G5, 3/8 x 1			
	80680	8080680	2	Lockwasher, 3/8			
5	OW	851579	8851579	1-86/-		Rear Mud Guard Kit	
		88206	8088206		1	Plate Weld Assembly	
		88011	8088011		7	Cap Screw, HH, G5, 3/8 x 1	
		80702	8080702		1	Cap Screw, HH, G5, 3/8 x 1 1/4	
		80680	8080680		8	Washer, 3/8	
			8080680		8	Lockwasher, 3/8	
		6	851578		8851578	1	Plate
			88206		8088206	3	Cap Screw, HH, G5, 3/8 x 1
			80680		8080680	3	Lockwasher, 3/8
		7	33084		8033084	1	Support Plate
	88206	8088206	2	Cap Screw, HH, G5, 3/8 x 1			
	80680	8080680	2	Lockwasher, 3/8			

OW - Order from Wholegoods Department

L-451 & L-452 SKID-STEER LOADERS ¹⁻²³

FIGURE 1C5 — WINDOW GLASS
 FENSTERSCHIEBE
 VERRE DE FENÊTRE
 VIDRIO DE VENTANILLA

FIG.	FN	PART NUMBER	FINIS	YR/SN	QTY.	DESCRIPTION
1	PL			-/8-86	AR	Front Window, Door
2	PL			9-86/-	AR	Front Window, Door
3	PL			-/8-86	AR	Window, Side & Rear
4	PL			9-86/-	AR	Window, Side & Rear

AR - As Required

L-451 & L-452 SKID-STEER LOADERS ²⁻⁹

FIGURE 2A4 — PEDAL CONTROLS
PEDAL-BEDIENUNGSORGANE
COMMANDES DE PÉDALE
CONTROL DE PEDAL

FIG.	FN	PART NUMBER	FINIS	YR/SN	QTY.	DESCRIPTION
1		251975	8251975		2	Pedal
2		228500	8228500		6	Bushing
3		251965	8251965		1	Shaft
		280112	8280112		2	Cap Screw, HH, G5, 1/4 x 1 1/2
		80701	8080701		4	Washer, 1/4
		80682	8080682		2	Lockwasher, 1/4
		280129	8280129		2	Locknut, 1/4
		87395	8087395		6	Cotter Pin, 1/8 x 1 1/4
4		251968	8251968		2	Arm Weld Assembly
		88206	8088206		2	Cap Screw, HH, G5, 3/8 x 1
		247780	8247780		2	Flange Nut, USR, 3/8
5		251969	8251969		2	Rod
		80756	8080756		4	Cotter Pin, 1/8 x 3/4
6		251960	8251960		1	Hub Weld Assembly
		80780	8080780		1	Woodruff Key, #8 x 5/32 x 3/4
7		767025	8767025		1	Support Weld Assembly, L H
		87872	8087872		2	Cap Screw, HH, G5, 5/16 x 3/4
		88682	808862		2	Carriage Bolt, G5, 3/8 x 1
		252687	8252687		2	Washer
		87016	8087016		AR	Washer, 3/8 SAE
		80702	8080702		AR	Washer, 3/8
		247780	8247780		2	Flange Nut, USR, 3/8
8		620474	8620474		1	Shaft Weld Assembly
		87395	8087395		5	Cotter Pin, 1/8 x 1 1/4
9		767026	8767026		1	Support Weld Assembly, R H
		87872	8087872		2	Cap Screw, HH, G5, 5/16 x 3/4
		88682	8088682		2	Carriage Bolt, G5, 3/8 x 1
		252687	8252687		2	Washer
		87016	8087016		AR	Washer, 3/8 SAE
		80702	8080702		AR	Washer, 3/8
		247780	8247780		2	Flange Nut, USR, 3/8
10		620476	8620476		1	Hub Weld Assembly
11		25193	8025193		2	Link

AR - As Required

L-451 & L-452 SKID-STEER LOADERS

FIGURE 2C2 — PALLET FORK KIT
 PALETE-GABELSTAPLER
 CHARIO ÉLÉVATEUR DE PALETTE
 ELEVADOR DE HORQUILLA DE PALETA

FIG.	FN	PART NUMBER	FINIS	YR/SN	QTY.	DESCRIPTION
1	OW				1	Fork Mounting Plate
2		221033	8221033		2	Fork Assembly - 36
2		694284	8694284		2	Fork Assembly - 42
2		686999	8686999		2	Fork Assembly - 48
						Includes - Fig 3 thru 6
3		226129	8226129		2	Handle
4		118827	8118827		2	Roll Pin, 3/16 x 1 (4.8mm x 25.4mm)
5		26315	8026315		2AR	Spring, W/1/2 Pin
5		9800081	9800081		2AR	Spring, W/5/8 Pin
6	A	226130	8226130		2	Pin, 5/8
7		782704	8782704		1	Guard Weld Assembly
		88044	8088044		6	Cap Screw, HH, G5, 3/8 x 1 1/2
		80702	8080702		6	Washer, 3/8
		80680	8080680		6	Lockwasher, 3/8
		84944	8084944		6	Hex Nut, 3/8

AR - As Required

OW - Order from Wholegoods Department

A - Assemblies That Originally Had 1/2" Pins Should be Drilled to Accept 5/8" Pin

L-451 & L-452 SKID-STEER LOADERS ³⁻⁵

FIGURE 3A2 — GEAR PUMP HYDRAULICS
ZAHNRADPUMPE HYDRAULISCH
HYDRAULIQUES DE POMPE À ENGRENAGES
HIDRÁULICOS DE BOMBA DEL ENGRANAJE

FIG.	FN	PART NUMBER	FINIS	YR/SN	QTY.	DESCRIPTION
1		690856	8690856		1	Gear Pump Assembly (See Separate Breakdown)
2		719387	8719387		1	Hose Assembly, 1/2 ID x 13 3/4 (12.7mm x 349mm)
3		128819	8128819		1	Straight Thread Reducer Assembly Includes - Fig 4
4		122057	8122057		1	O-Ring
5		643676	8643676		1	Tube Assembly, 1 OD x 10 5/16 (25.4mm x 262mm)
6	A	648256	8648256		1	Connector Assembly, 1 1/16 (27mm)
6	A	378970	8378970		1	Connector Assembly, 1 5/16 (33mm) Includes - Fig 7
7		167266	8167266		1	O-Ring, .924 ID (23.46mm)
7		167268	8167268		1	O-Ring, 1.171 ID (29.74mm)
8		643675	8643675		1	Hose, 1 ID x 4 3/4 (25.4mm x 121mm)
9		514920	8514920		2	Hose Clamp
10		9805142	9805142		1	Cap Assembly Includes - Fig 11 & 12
11		271861	8271861		1	O-Ring
12		625772	8625772		1	Spacer
13		625773	8625773		1	Strainer Assembly Includes - Fig 14
14		637356	8637356		1	Gasket

A - Check Dimensions Before Ordering.

L-451 & L-452 SKID-STEER LOADERS

FIGURE 3E2 — CONTROL VALVE ASSEMBLY — DUKES — L451 ASN 607132, L452 ASN 607200
 KOMPL. STEUERVENTIL
 DISTRIBUTEUR COMPLET
 ENS. DE VALVULA DE CONTROL

FIG.	FN	PART NUMBER	FINIS	YR/SN	QTY.	DESCRIPTION
	A,D	766468	8766468	a		Control Valve Assembly - Dukes Fluid Power 2275FA6F3ND Includes - Fig 1 thru 29 (No Longer Serviced Order 9611969)
	B	9611969	9611969	b		Control Valve Assembly - Dukes Fluid Power 1622 BF Includes - Fig 1 thru 30
1	NS				1	Body
2	NS				1	Spool
3	NS				1	Spool
4	C	48971	8048971		4	O-Ring
5		272323	8272323		1	Plug Assembly Includes - (1) Fig 6
6	C	122057	8122057		1	O-Ring
7		277872	8277872		1	Relief Valve Assembly, Tampered-Proof, 2000 PSI
8		9805265	9805265		2	Load Check Kit Includes - Fig 9 thru 12
9	NS				2	Plug, Load Check
10	C	128825	8128825		2	O-Ring
11	NS				2	Spring, Load Check
12	NS				2	Poppet, Load Check
13		9605011	9605011		1	Spring Center Kit Includes - Fig 14 thru 20
14	NS				1	Washer
15	NS				1	Spring
16	NS				1	Spacer
17		80684	8080684		1	Lockwasher, #10
18		281070	8281070		1	Machine Screw, HS, BH, UNF3, #10 x 1/2
19	NS				1	End Cap
20		693880	8693880		4	Screw W/Lockwasher
21	A	277869	8277869		1	Detent Kit Includes - Fig 20, 22 thru 29
21	B	9605374	9605374		1	Detent Kit Includes - Figures 20, 22 thru 30
22	NS				2	Steel Ball
23	NS				2	Spring, Detent
24	NS				2	Plug, Detent
25	NS				1	End Cap, Detent
26	NS				1	Spool, Detent (Light Green)
27	NS				1	Spacer
28	NS				1	Spring, Return
29	NS				1	Washer
30	NS, B,C				1	O-Ring
		9605348	9605348		AR	Seal Kit Includes - Fig 4, 6, 10 & 30

AR - As Required
 NS - Not Serviced

A - Component of 766468 Control Valve Assembly
 B - Component of 9611969 Control Valve Assembly
 C - Component of 9605348 Seal Kit
 D - No Longer Serviced - Order 9611969

L-451 & L-452 SKID-STEER LOADERS 3-25

FIGURE 3J1 — HYDRAULIC SWIVEL KIT
 HYDRAULIK DIEHZAPFENSATZ
 HYDRAULIQUE TROUSSE DE ARTICULATION
 HIDRÁULICO JUEGO DE PIVOTE

FIG.	FN	PART NUMBER	FINIS	YR/SN	QTY.	DESCRIPTION
1		680960	8680960		2	Clamp
		88682	8088682		4	Carriage Bolt, G5, 3/8 x 1
		247780	8247780		4	Flange Nut, USR, 3/8
2		679628	8679628		2	Swivel Joint Assembly
		690862	8690862		AR	Seal Kit
		88444	8088444		2	Cap Screw, HH, G5, 3/8 x 2 1/2
		80702	8080702		2	Washer, 3/8
		88902	8088902		2	Locknut, 3/8
3		129890	8129890		2	Nipple
4		680959	8680959		2	Hose, 1/2 ID x 25 Long (12.7mm x 635mm)
5		129164	8129164		2	Retaining Ring
6		770355	8770355		2	Angle

AR - As Required

**SECTION 4 – ELECTRICAL
SEKTION 4 – ELEKTRISCHES SYSTEM
SECTION 4 – SYSTEME ELECTRIQUE
SECCION 4 – SISTEMA ELECTRICO**

Figure No. Darstellung Nr. Figure No. Figura No.	Description Beschreibung Description Descripción	Page Seite Page Página	Image Location Bildanbringung Emplacement Image Ubicación de la Imagen
4A1	Electrical Group Schematic..... Gruppe Elektrische Schematisch Schématique de Groupe Electrique Esquemático de Grupo Eléctrico	4-3,4-5,4-7	
4B1	Instrument Panel & Indicator Lights Instrumenten-Brett und Leuchten Tableau des Instruments et Feux Tablero de Instrumentos y Luces	4-9	
4C1	Electrical – Lights & Horn..... Elektrisches – Leuchten und Hupe Electrique – Feux et Avertisseur Eléctrico – Luces y Bocina	4-11	
4D1	Starting Assist Kits Zusatz Anlassen Trousse de Démarreur Assistance Juegos de Arranque Assistencia	4-13	

CLICK HERE TO **DOWNLOAD** THE COMPLETE MANUAL

- Thank you very much for reading the preview of the manual.
- You can download the complete manual from: www.heydownloads.com by clicking the link below



- Please note: If there is no response to CLICKING the link, please download this PDF first and then click on it.

CLICK HERE TO **DOWNLOAD** THE COMPLETE MANUAL

L-451 & L-452 SKID-STEER LOADERS 4-11

FIGURE 4C1 — ELECTRICAL — LIGHTS & HORN
 ELEKTRISCHES — LEUCHTEN UND HUPE
 ELECTRIQUE — FEUX ET AVERTISSEUR
 ELÉCTRICO — LUCES Y BOCINA

FIG.	FN	PART NUMBER	FINIS	YR/SN	QTY.	DESCRIPTION
1		9601624	9601624		1	Wire Harness, Main (See Schematic)
		708182	8708182		AR	Clamp
		570821	8570821		AR	Self-Tapping Screw, HWH, 5/16 x 5/8
2	NS	640813			1	Wire to Warning Light
		130609	8130609		1	Light Assembly, Warning Includes - Fig 4 & 5
4	PL	277105	8277105		2	Lens, Amber
					1	Bulb, #199
6		848374	8848374		1	Lamp Assembly, Flood & Tail Includes - Fig 7
		280431	8280431		1	Nut, 1/2
7		851806	8851806		1	Seal Ream Lamp
8		846764	8846764		1	Wire Harness to Lights
9		262597	8262597		1	Bracket
		247780	8247780		2	Nut, HWH 3/8
		255918	8255918		1	Self-Locking Screw, 3/8 x 3/4
		280295	8280295		2	Washer, EXT T, 3/8
		88682	8088682		1	Carriage Bolt, G5, 3/8 x 1.00
10		9618029	9618029		1	Bracket, Warning Light
		88436	8088436		1	Capscrew, G5, 3/8 x 2.00
		88902	8088902		1	Locknut, 3/8
11		133955	8133955		1	Bracket
12		643342	8643342		1	Channel
13		42622	8042622		1	Spring
14		620133	8620133		2	Rubber Housing
15		636887	8636887		2	Seal Beam Lamp
16		649125	8649125		1	Wire Harness, Horn
17		46288	8046288		1	Grommet
18		247521	8247521		1	Seal Switch
19		247520	8247520		1	Horn Switch
		87363	8087363		1	Washer, 7/16
20		227853	8227853		1	Horn Assembly
		713155	8713155		1	Self-Locking Screw, HWH, 5/16 x 1.00

AR - As Required
 PL - Procure Locally
 NS - Not Stocked

5-7

L-451 & L-452 SKID-STEER LOADERS

FIGURE 5A1 — ENGINE ASSEMBLY & FUEL GROUP — MODEL L-451

GRUPPE KOMPL. MOTOR UND KRAFTSTOFF
 GROUPE ENS. MOTEUR ET COMBUSTIBLE
 GRUPO ENS. MOTOR Y COMBUSTIBLE

FIG.	FN	PART NUMBER	FINIS	YR/SN	QTY.	DESCRIPTION
20		221408	8221408		1	Cup Assy
21		77997	8077997		1	Clamp Assy
22		272744	8272744		1	Inner Element
23		139541	8139541		1	Air Cleaner Indicator
24		45014	8045014		2	Hose Clamp
25		620339	8620339		1	Hose, Air Cleaner
26		709303	8709303		1	Flange Weld Assy
		120104	8120104		2	Cap Screw, HH, M8 x 20
		280248	8280248		2	Lockwasher, 9/16
27		197363	8197363		2	Band Clamp
		145913	8145913		4	Screw, Self-Locking, HWH, USR, 5/16 x 3/4
		145458	8145458		4	Flange Nut, USR, 5/16
28		607805	8607805		1	Bracket Weld Assy
		88206	8088206		1	Cap Screw, HH, G5, 3/8 x 1
		88639	8088639		2	Carriage Bolt, G5, 3/8 x 3/4
		29962	8029962		1	Washer, Special
		80680	8080680		1	Lockwasher, 3/8
		247780	8247780		2	Flange Nut, USR, 3/8
29	NSS				1	Alternator Assy (Does Not Include Regulator or Fan) Serviced by 235703
		271343	8271343		AR	Isolation Diode
		271367	8271367		1	Bi-Directional Fan
		271347	8271347		1	Regulator
		235703	8235703		1	Alternator Assy (Refer to Separate Breakdown)
		87339	8087339		1	Cap Screw, HH, G5, 1/2 x 3
		145913	8145913		1	Screw, Self-Locking, HWH, USR, 5/16 x 3/4
		87362	8087362		1	Washer, 5/16 SAE
		80700	8080700		1	Washer, 1/2
		643396	8643396		1	Flange Nut, USR, 1/2
30		257342	8257342		1	Sheave
31		632244	8632244		1	V Belt Assy (Set of 2)
32		631610	8631610		1	Spacer
		80700	8080700		1	Washer, 1/2
33		263894	8263894		1	Spacer
34		767672	8767672		1	Bracket
		300382	8300382		2	Cap Screw, HH, M8 x 60
		80681	8080681		2	Lockwasher, 5/16
35		767674	8767674		1	Bracket
		120106	8120106		1	Cap Screw, HH, M8 x 20
		88576	8088576		1	Cap Screw, HH, G5, 1/2 x 5-1/2
		80700	8080700		AR	Washer, 1/2
		80681	8080681		1	Lockwasher, 5/16
		80679	8080679		1	Lockwasher, 1/2
		280431	8280431		1	Hex Nut, G5, 1/2
36		767673	8767673		1	Adjustment Strap
		87657	8087657		1	Screw, Cap Screw, HH, G5, 5/16 x 1-1/4
		87362	8087362		AR	Washer, 5/16 SAE
		523310	8523310		1	Flange Nut, USR, 5/16
37		276514	8276514		1	Oil Filter, Fram PH 46
38		182095	8182095		AR	Tube, 5/32 ID x 38 Long (4mm x 965mm) Cut to Length Required
39		276515	8276515		1	Fuel Filter, Fram P 4102 - Replaces 283119

AR - As Required
 NSS - Not Serviced Separately

L-451 & L-452 SKID-STEER LOADERS 5-17

FIGURE 5E1 — ENGINE ASSEMBLY & FUEL GROUP-MODEL L-452
 GRUPPE KOMPL. MOTOR UND KRAFTSTOFF
 GROUPE ENS. MOTEUR ET COMBUSTIBLE
 GRUPO ENS. MOTOR Y COMBUSTIBLE

FIG.	FN	PART NUMBER	FINIS	YR/SN	QTY.	DESCRIPTION
26		271348	8271348		1	Sheave
27		75440	8075440		1	V Belt
28		269208	8269208		1	Drop Tube Assy
29		614796	8614796		AR	Fuel Line, 1/4 ID x 14 Long (6.4mm x 356mm) - Cut to Required Length
30		574518	8574518		4	Hose Clamp
31		269212	8269212		1	Fuel Filter, In-Line
32		269363	8269363		1	Elbow Assy, 90°
33		604601	8604601		2	Male Elbow, 90°
34		165152	8165152		2	Insert, Brass
35		218302	8218302		1	Nylon Tubing, .17 ID x 1/4 OD x 18 Long (4.3mm x 6.4mm x 457mm)
36		133229	8133229		1	Rain Cap - Recommended for Use with 264108 Muffler (Fig No 6)
37		275209	8275209		1	Elbow
		87716	8087716		1	Cap Screw, HH, G5, 1/4 x 1-1/4
38		275210	8275210		1	Gasket

AR - As Required

L-451 & L-452 SKID-STEER LOADERS ⁵⁻²⁷

FIGURE 5H3 — ALTERNATOR (TOTALLY ENCLOSED)
 DREHSTROM-LICHTMASCHINE (VÖLLIG GESCHLASSEN)
 ALTERNATEUR (ENCADRERS' TOTALISER)
 ALTERNADOR (ENCERRAR TOTALMENTE)

FIG.	FN	PART NUMBER	FINIS	YR/SN	QTY.	DESCRIPTION
1		621511	8621511		1	Alternator Includes - Fig 2
2		274914	8274914		1	Regulator
		88903	8088903		3	Self-Tapping Screw, HH, 1/4 x 1/2
3		611730	8611730		1	Support Weld Assy (L-451)
		280177	8280177		1	Cap Screw, HH, G5, 3/8 x 5
		80680	8080680		1	Lockwasher, 3/8
		84944	8084944		1	Hex Nut, 3/8
4		600808	8600808		1	Link (L-451)
		88543	8088543		2	Cap Screw, HH, G5, 5/16 x 1
		80664	8080664		2	Washer, 5/16
		80681	8080681		2	Lockwasher, 5/16
		84943	8084943		2	Hex Nut, 5/16

L-451 & L-452 SKID-STEER LOADERS

FIGURE 5J7 — ACCESSORY & DISTRIBUTOR DRIVE GROUP-WISCONSIN VH4D ENGINE
 GRUPE ZUBEHOER UND VERTEILER-ANTRIEB
 GROUPE ACCESSOIRES ET COMMANDE DE DISTRIBUTEUR
 GRUPO ACCESORIO Y PROPULSIÓN DE DISTRIBUTEUR

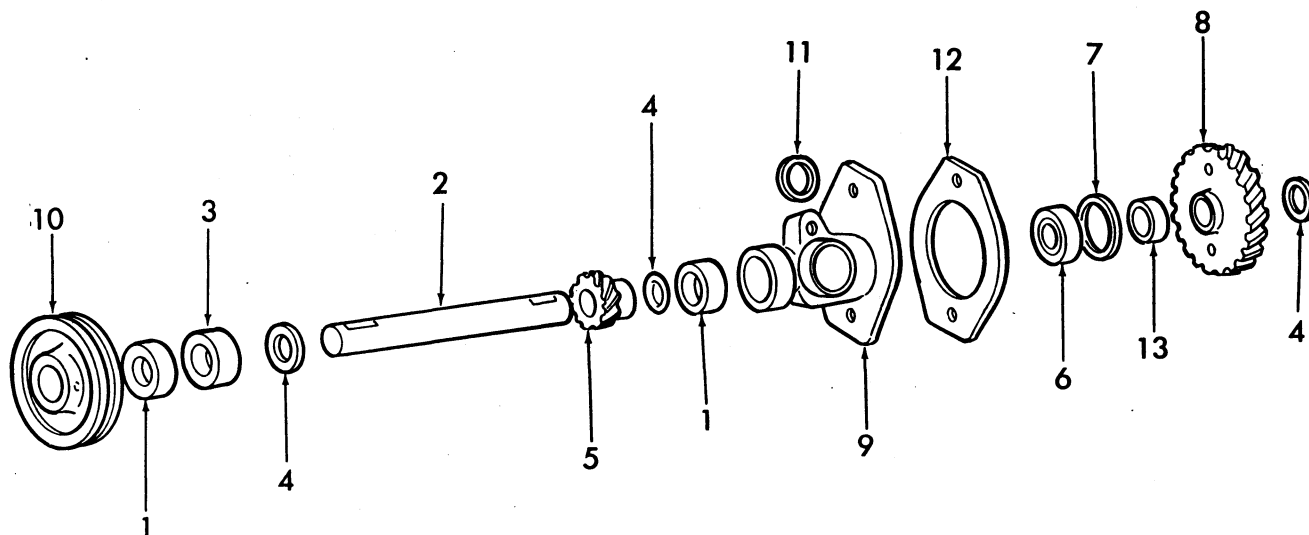


FIG.	FN	PART NUMBER	FINIS	YR/SN	QTY.	DESCRIPTION
1		73924	8073924		1	Accessory Drive Assy (TF-122-C-3)
		88436	8088436		2	Cap Screw, HH, 7/8 x 2 (XD-32)
		87016	8087016		2	Washer (PH-22-A)
		80680	8080680		2	Lockwasher, 3/8 (PE-5)
		84944	8084944		2	Hex Nut, 3/8 (PD-79)
		73152	8073152		1	Oil Seal (PH-541)
	2	271932	8271932		1	Shaft Assy (Includes 2A thru 8) (JJ-320-G)
					1	Shaft (JD-362)
	3	73156	8073156		1	Ball Bearing (ME-112)
	4	73157	8073157		3	External Retaining Ring (PK-108)
5	73158	8073158		1	Distributor Drive Gear (GF-90)	
6	73159	8073159		1	Ball Bearing (ME-139)	
7	73161	8073161		1	Retaining Ring (PK-107)	
8	73163	8073163		1	Drive Gear (GD-121)	
9				1	Woodruff Key, #6 (PL-55)	
10				1	Housing (TB-141-C)	
	73911	8073911		1	Pulley (MD-363-1)	
11				1	Woodruff Key, #6 (PL-55)	
	75727	8075727		1	Set Screw, Socket Hd, #10-32 x 1/4 (XE-65)	
12	71415	8071415		1	O Ring (JK-59)	
13				1	Gasket (QD-616)	
				1	Spacer (HF-470)	

L-451 & L-452 SKID-STEER LOADERS

FIGURE 5J12 — STARTING MOTOR-WISCONSIN VH4D ENGINE

ANLASSER
DÉMARREUR
MOTOR DE ARRANQUE

FIG.	FN	PART NUMBER	FINIS	YR/SN	QTY.	DESCRIPTION
1		509911	8509911		1	Starting Motor Assy (YA-61-A)
		88374	8088374		3	Cap Screw, HH, 3/8-24 x 1 (PB-187)
		80680	8080680		3	Lockwasher, 3/8 (PE-5)
2					1	Head Assy, Brush End (28-MZ-2002-Q)
3		73885	8073885		1	Brush Set (28-MBG-2012S)
4					1	Brush Spring Set (28-MZ-19S)
5					1	Armature (28-MBG-2411)
6					1	Pinion Housing (28-PS-2330BS)
7					1	Bronze Bearing (28-MZ-364)
8					1	Oil Seal (28-XA-832)
9					1	Gasket (28-MZ-359)
10					1	Bearing Plate Assy (28-MZ-1360)
11					1	Thrust Washer Package (28-P90-448)
12		75686	8075686		1	Bendix Drive Assy (93-480396)
13					1	Field Coil Package (28-MBG-3005AS)
14					1	Terminal Stud Package (28-P90-743)
15					1	Bearing Cap (28-MZ-358)
16		72533	8072533		1	Bracket (PG-514-A-1)
		279001	8279001		1	Bracket (Used with YA-61-A Starter) (PG-514-G)
17		72530	8072530		2	Stud (PC-396)
		80681	8080681		2	Lockwasher, 5/16 (PE-4)
		87306	8087306		2	Hex Nut, 5/16-24
18		221489	8221489		1	Solenoid (YC-96)
		88542	8088542		2	Cap Screw, HH, 1/4 x 1/2 (XA-34)
		80682	8080682		2	Lockwasher, 1/4 (PE-3)
		84942	8084942		2	Hex Nut, 1/4 (PD-77)
19					1	Cable (YL-356-20)

L-451 & L-452 SKID-STEER LOADERS 6-5

FIGURE 6A2 — ENGINE TO TRANSMISSION COUPLING — DRIVE SHAFT
 MOTOR ZU TRANSMISSION SCHIEBMUFFE
 ACCOUPLEMENT MOTEUR À TRANSMISSION
 ACOPLIAMIENTO MOTOR EN TRANSMISIÓN

FIG.	FN	PART NUMBER	FINIS	YR/SN	QTY.	DESCRIPTION
1		623782	8623782		1	Disc - L-451
2		705719	8705719		1	Drive Shaft Assy - L-452 Includes - Fig 3 thru 7
		87616	8087616		2	Set Screw, SH, Cup Point, 3/8 x 3/4
		84969	8084969		2	Jam Nut, 3/8
		87879	8087879		1	Key, 3/8 x 1-1/4
2		704807	8704807		1	Drive Shaft Assembly - L-451 Includes - Fig 3 thru 7
		337563	8337563		3	Cap Screw, HH, M12 x 40
		80679	8080679		3	Lockwasher, 1/2
3		711685	8711685		1	Yoke - L-451
3		707838	8707838		1	Yoke - L-452
4		139842	8139842		2	Journal Cross Assembly
5		235666	8235666		1	Double Pivot Yoke
6		235665	8235665		1	Yoke
7		87414	8087414		1	Lube Fitting, ST, 1/4-28

L-451 & L-452 SKID-STEER LOADERS 6-15

FIGURE 6C1 — HYDRAULIC MOTOR ASSEMBLY
KOMPL. HYDRAULIK MOTOR
ENS. MOTEUR HYDRAULIQUE
ENS. MOTOR HIDRÁULICOS

FIG.	FN	PART NUMBER	FINIS	YR/SN	QTY.	DESCRIPTION
		609046	8609046		2	Motor Assembly
1	A	66800	8066800		1	Retaining Ring, Internal 2.00 (50.8mm)
2	A	703639	8703639		1	Seal, Shaft
3	.	272223	8272223		1	Washer, 1.90 OD x .083 Thick (M50.5 x 2.1)
4	A	38785	8038785		2	Retaining Ring, External 1-1/2 (M28.6)
5		272202	8272202		2	Thrust Race
6		272201	8272201		1	Thrust Bearing
7		274365	8274365		1	Shaft
8		272349	8272349		1	Housing Includes - Fig 9
9		272193	8272193		1	Needle Bearing
10		273358	8273358		1	Cam Plate
11	NS,B				1	Piston Assembly Includes - Fig 12 thru 18
12	NS,B				1	Piston Set
13	NS,B				1	Pivot Ring
14	NS,B				1	Pivot
15	NS,B				1	Block
16	B	272488	8272488		3	Pin, Loading
17	B	272487	8272487		2	Washer, 1/4 OD x .093 Thick (M35 x 2.4)
18	B	272486	8272486		1	Spring
19	A	274345	8274345		1	Seal, 3/32 x 4 ID (M2.4 x 102)
20		41295	8041295		1	Needle Bearing
21		276524	8276524		1	Back Plate Includes - Fig 20
22		88275	8088275		3	Cap Screw, HH, G5, 5/16 x 1.50
23		88544	8088544		3	Cap Screw, HH, G5, 5/16 x 2.00
24	A	274364	8274364		1	Seal, Shaft
25		271956	8271956		1	Plug Includes - Fig 26
26		9617873	9617873		1	Seal
27	A,B	34163	8034163		1	Retaining Ring, Internal 1.38 (M28.6)
	B	279796	8279796		AR	Rotating Kit
	A	276772	8276772		AR	Seal Repair Kit

AR - As Required
NS - Not Serviced

A - Denotes Kit & Contents
B - Denotes Kit & Contents

L-451 & L-452 SKID-STEER LOADERS

FIGURE 6F1 — DRIVE CONTROL
 ANTRIEBSTEUERUNG
 COMMANDE DE ENTRAÎNEMENT
 CONTROL DE PROPULSIÓN

FIG.	FN	PART NUMBER	FINIS	YR/SN	QTY.	DESCRIPTION
10		619204	8619204		2	Guide Assembly
		280636	8280636		2	Self-Tapping Screw, HH, M10 x 55
		680253	8680253		AR	Washer
		354720	8354720		2	Jam Nut, M10
11		632241	8632241		2	Tube Assembly
		84970	8084970		4	Jam Nut, 1/2
12		511125	8511125		4	Retaining Ring
13		601400	8601400		2	Spring, Compression
14		632194	8632194		4	Washer
15		632266	8632266		2	Damper, Steering
		88436	8088436		1	Cap Screw, HH, G5, 3/8 x 2.00
		280745	8280745		1	Bolt, RDH, SSQN, G5, 3/8 x 2.00
		80680	8080680		2	Lockwasher, 3/8
		80702	8080702		2	Washer, 3/8
		84944	8084944		1	Nut, 3/8
16		632225	8632225		1	Tab Assembly
17		27670	8027670		2	Bushing
18		687401	8687401		1	Bracket Assembly
		88543	8088543		2	Cap Screw, HH, G5, 5/16 x 1.00
		80681	8080681		2	Lockwasher, 5/16

AR - As Required

NUMERICAL INDEX

PART NUMBER	FIG.	SEC	PAGE	PART NUMBER	FIG.	SEC	PAGE
573515	5	6	23			3	21
	2	6	21		7	3	9
574518	3	5	21	608598	5	2	7
	30	5	17	608679	9	1	9
	47	5	9	608936	8	1	3
575494	28	6	19	608937	9	1	3
577927	7	2	11	609028	6	1	3
578488	8	3	7	609046		6	15
58148	2	1	7		1	6	3
58225	3	6	3		6	3	3
58880	38	5	31	609379	1	4	9
	19	5	15		21	1	3
590902	9	3	21	609438	6	1	9
590904	7	3	21	609530	1	1	3
590906	1	3	21	610182	4	2	7
590907	10	3	21	610673	5	1	3
592955	13	2	15	610896	4	1	3
593200	4	2	13	611631	13	2	3
593202	3	2	13	611730	3	5	27
593204		2	13	612307	13	3	9
	13	2	11	612310	15	3	9
	18	2	3	612311	18	3	11
593385	3	2	15		4	3	9
593389	1	2	15	613649	37	6	19
593390		2	15		2	1	3
	14	2	3	614536	10	3	29
	1	2	11	614796	4	5	21
593519	10	2	13		29	5	17
600083	3	2	23	616720	17	2	3
600808	4	5	27	617116	5	3	7
601400	13	6	25	617910	22	1	3
604601	33	5	17	618118	2	4	9
	41	5	9	619078	1	2	5
604900	29	3	9	619204	10	6	25
	6	5	11	619284	19	3	31
606203	15	2	3	619458	14	3	7
606837	5	5	13	619905	3	6	3
606838	48	5	9	619906	10	6	3
606862	9	4	9	620133	14	4	11
606959	30	6	19	620339	25	5	7
606960	7	6	17	620474	8	2	9
606961	31	6	19	620476	10	2	9
607411	11	2	3	620884	12	2	3
607549	21	2	3	620924	16	2	3
607805	28	5	7	621511	1	5	27
607832	14	6	17	621534	12	6	17
608166	8	6	17	621864	22	3	9
608384	12	6	17		22	2	11
608386	21	6	19	622194	12	2	11
608406	20	6	19		11	2	11
608439	9	6	17		33	3	9
608550	8	4	3	622195	11	3	7
		3	21	622196	1	3	9

NUMERICAL INDEX

PART NUMBER	FIG.	SEC	PAGE	PART NUMBER	FIG.	SEC	PAGE
	28	6	19	9618029	10	4	11
	1	2	7	9618081	28	6	19
	1	5	15	9618082	26	6	19
	3	5	5	9618098	27	6	19
	2	5	5	9619866	7	1	3
88896	10	3	29	9620274	5	2	15
88902	2	3	25	9621621	20	1	19
	10	4	11	9800081	5	2	19
	2	5	10	9800581	1	6	17
	3	5	11	9800774	9	3	7
	40	5	9	9800958	16	1	19
	2	5	19	9801076	19	6	21
	2	1	17	9801520	15	1	3
	19	6	21	9801521	14	1	3
	9	6	21	9801618	40	3	31
	4	6	23		14	3	27
88903	2	5	27		15	2	21
	1	4	3	9802123	36	1	5
88946	8	2	11	9802124	35	1	5
88976	14	6	17	9804044	34	1	5
88987	13	4	5	9805142	10	3	5
	3	1	9	9805265	8	3	15
9601624	1	4	11	9806303	2	1	17
9605011	13	3	15	9806305	13	1	17
9605025	30	6	13	9824043	32	6	19
	30	6	9		24	6	19
9605335	31	5	25		6	6	17
9605336	28	5	25				
9605337	20	5	25				
9605338	18	5	25				
9605339	12	5	25				
9605340	4	5	25				
9605341	19	5	25				
9605342	27	5	25				
9605345	17	3	21				
9605346	12	3	21				
9605348		3	15				
9605374	21	3	15				
9609165	23	4	5				
		5	25				
9609407	27	1	3				
9610763	5	2	13				
9610764	6	2	15				
9610772	17	1	3				
9611930	1	2	3				
9611969		3	15				
9616493	39	6	19				
9617873	26	6	15				
	25	3	3				
	15	2	11				
	3	2	11				
9617891	32	3	31				

FINIS INDEX

FINIS	FIG.	SEC	PAGE	FINIS	FIG.	SEC	PAGE	FINIS	FIG.	SEC	PAGE
8276514	37	5	7		35	3	9	8280645	1	3	29
8276515	39	5	7	8280177	3	5	27	8280685	1	5	5
8276524	21	6	15	8280206	6	6	3	8280702	10	2	3
8276772		6	15	8280236	36	5	39	8280703	17	1	3
8277053	44	6	13		12	5	10	8280724	2	2	13
	44	6	9		7	3	29	8280736	1	3	27
8277061		6	9	8280248	26	5	7		7	1	3
		6	7		1	5	5		10	2	3
		6	13	8280250	11	2	7		15	2	3
		6	11		10	6	21		3	2	3
8277064	8	3	21	8280263	10	5	19		20	2	3
8277105	4	4	11	8280264	1	5	5		16	2	3
8277260	6	3	33	8280273	6	1	11	8280745	15	6	25
8277431	4	3	33		9	1	11	8280789	1	3	29
8277552	6	3	13	8280278	19	5	36	8280857	1	4	3
8277575	2	3	19	8280279	1	4	13		15	1	21
8277576	11	3	19		3	4	3	8280873	13	3	19
8277577	7	3	19	8280295	9	4	11	8281070	18	3	15
8277606	37	5	39	8280306	20	4	5	8283552	34	6	19
8277810		3	19	8280320	6	2	17	8283622	34	6	19
8277869	21	3	15	8280327	9	3	29	8283978	16	3	29
8277872	7	3	15		5	3	29	8284009	16	4	5
8277935	11	5	23		13	5	19	8284196	12	3	27
8277936	12	5	23		15	5	19	8284197	6	3	27
8277937	8	5	23		10	5	10	8284204	5	3	27
8277938	16	5	23		7	1	3	8284259	1	1	9
8277939	6	3	19		18	1	19	8285072	20	6	21
8277940	4	3	19		19	1	19		7	6	3
8277941	5	3	19	8280345	18	5	39	8285606	2	5	10
8278617	33	6	13	8280430	7	2	7		2	5	19
	33	6	9	8280431	6	2	17	8286797	18	5	13
8279001	16	5	47		4	2	17	8286798	19	5	13
8279412	26	6	7		4	2	21	8287761	3	5	13
	26	6	11		6	4	11	8287763	4	5	13
8279417	14	3	19		4	5	5	8288934	4	4	3
8279486	38	6	9		1	6	3		6	4	9
	38	6	13		31	6	19	8300382	34	5	7
8279636	11	3	33		35	5	7	8325059	12	3	7
	11	3	13	8280497	1	6	21	8326109	2	3	17
8279638	7	3	33		29	1	5	8332402	1	4	3
8279639	15	3	33		27	4	7	8334707	10	2	7
8279796		6	15		10	2	7	8337563	7	5	5
8280112	3	2	9		26	3	9		2	6	5
8280129	3	2	9	8280498	9	3	9	8353067	30	1	5
	11	3	29	8280500	16	1	19	8353072	16	1	21
8280140	32	6	19	8280604	15	1	19	8354720	10	6	25
	6	6	17	8280616	26	2	3	8378970	6	3	5
	10	6	17		10	1	7	8453857	31	1	5
	24	6	19	8280622	1	3	27	8509898	12	5	43
	3	5	10	8280623	3	5	13	8509911	1	5	47
	3	5	19	8280636	10	6	25	8509927	19	5	41
8280162	31	1	5	8280641	37	5	39	8509928	20	5	41
8280164	6	5	11	8280644	7	6	3	8509984	41	5	31

CLICK HERE TO **DOWNLOAD** THE COMPLETE MANUAL

- Thank you very much for reading the preview of the manual.
- You can download the complete manual from: www.heydownloads.com by clicking the link below



- Please note: If there is no response to CLICKING the link, please download this PDF first and then click on it.

CLICK HERE TO **DOWNLOAD** THE COMPLETE MANUAL