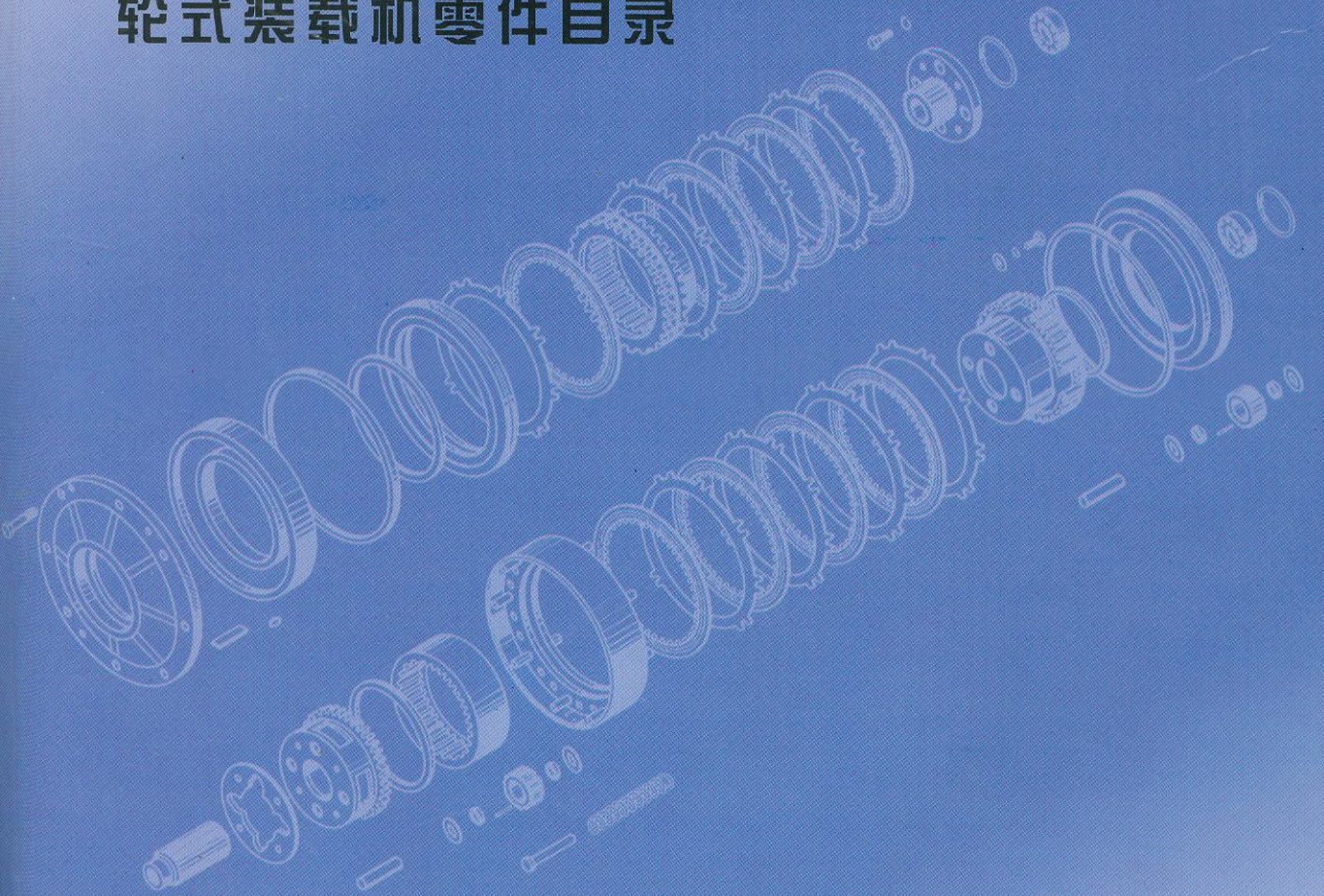




# ZL50G

WHEEL LOADER  
PART SLIST

轮式装载机零件目录



徐州工程机械科技股份有限公司  
XUZHOU CONSTRUCTION SCIENCE MACHINERY CO.,LTD

CLICK HERE TO **DOWNLOAD** THE COMPLETE MANUAL

- Thank you very much for reading the preview of the manual.
- You can download the complete manual from: [www.heydownloads.com](http://www.heydownloads.com) by clicking the link below



- Please note: If there is no response to CLICKING the link, please download this PDF first and then click on it.

CLICK HERE TO **DOWNLOAD** THE COMPLETE MANUAL

### 3.油门操纵阀 Accelerator Control Valve

序号 Sr. No.	零件代号 Part No.	名 称 Part Description	数量 Q'ty	备 注 Remark
1	XZ1129051	销轴 Shift Pin	2	
2	XZ1129040	脚踏板总成 Feet Pedal	1	
3	GB91-86	开口销 2 × 16 Cotter Pin	2	
4	XZ1129053	调节螺栓 Bolt	1	
5	XZ1129054	调节螺母 Nut	1	
6	GB5783-86	螺栓 M8 × 30 Bolt	1	
7	GB6170-86	螺母 M8 Nut	3	
8	XZ1129052	防尘罩 Dustproof	1	
9	XZ1129055	销轴 Shift Pin	1	
10	XZ1129031	支架 Support	1	
11	XZ1129020	侧板总成 Side Plate	1	
12	XZ1129056	扭转弹簧 Torsion Spring	1	
13	XZ1129010	转动板总成 Turning Plate	1	
14	GB986-86	开口挡圈 8 Cotter Pin	1	
15	XZ1129057	U型螺栓 "U" Bolt	1	
16	GB986-86	开口挡圈 4 Retaining Ring	1	

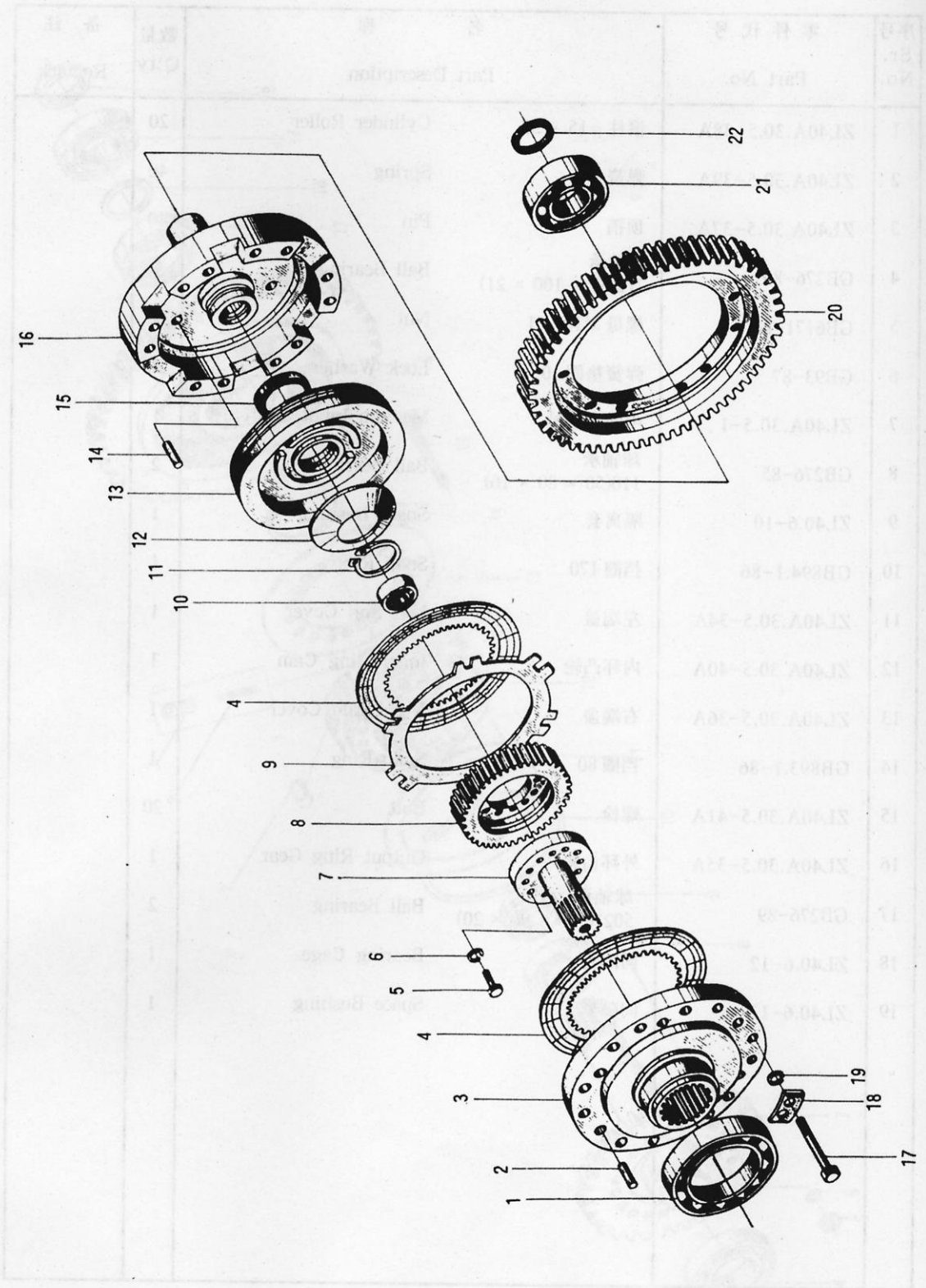
## 8.主减速器总成 Main Transmission Parts

序号 Sr. No.	零件代号 Part No.	名 称 Part Description	数量 Q'ty	备注 Remark
1	75202749	主减器壳总成 Carrier Assy	1	
2	75502600	螺栓 Bolt	4	
3	75201865(前桥)	主传动齿轮副 Ring Gear Pinion Assy	1	
3	75201865A(后桥)	主传动齿轮副 Ring Gear Pinion Assy	1	
3-1	75201866(前桥)	主动齿轮 Main Gear	1	
3-1	75201866A(后桥)	主动齿轮 Main Gear	1	
3-	75200507 (前桥)	被动齿轮 Gear	1	
3-2	75200507A	被动齿轮 Gear	1	
4	75600311	轴承 Bearing	1	
5	75500003	螺栓 Bolt	12	
6	75501992	螺母 Nut	12	
7	75202150	差速器总成 Differential Assy	1	
8	75200107	差速器壳 Differential Cage	1	
9	75501981	螺栓 Bolt	8	
10	75501993	螺母 Nut	8	
11-1		垫片 Washer	2	
11-2	75201275	半轴齿轮 Side Axle Gear	2	
11-3	75200116	十字轴 Spider	1	
11-4	75201274	锥齿轮垫片 Pinion Gear	4	
11-5	75201609	锥齿轮垫片 Thrust Washer	4	
12	75650019	轴承 Bearing	2	
13	75200118	调整螺母 Adjusting Nut	2	
14	75200053	锁紧片 Lock Plate	2	
15	75502602	螺栓 Bolt	2	

## 12.变速箱 (一) Transmission(1)

序号 Sr. No.	零件代号 Part No.	名 称 Part Description	数量 Q'ty	备 注 Remark
1	GB6170-86	螺母 M20 Nut	2	
2	ZL40.6-1	胶垫 Rubber Pad	2	
3	GB5781-86	螺栓 M18 × 40 Bolt	8	
4	GB93-87	垫圈 18 Lock Washer	8	
5	Z5G.1.5	连接座 Bracket	2	
6	GB5780-86	螺栓 M20 × 130 Bolt	2	
7	GB5780-86	螺栓 M10 × 70 Bolt	9	
8	GB93-87	垫圈 10 Lock Wsher	78	
9	GB5780-86	螺栓 M10 × 50 Bolt	6	
10	403700	变速箱操纵阀总成 Transmission Control Valve Assy	1	
11	ZL40A.30-15	密封垫 Seal Gasket	1	
12	JB984-77	接头体 28/M33 × 2 Joint	3	
13	ZL40.3.2-10	垫圈 35 × 3.5 Washer	3	
14	ZL40A.30-1	箱体 Transmission Housing	1	
15	ZL40.6-55A	圆柱塞 Taper Plug	1	
16	ZL40.2-1	螺塞 Z3/4 " Plug	1	
17	ZL40.6.16B	透气管 Breather Tube	1	
18	GB825-86	吊环螺钉 M20 Eye Screw	2	
19	GB276-89	球轴承 211 Ball Bearing	1	
20	ZL40A.30-19	轴承套 Bearing Case	1	
21	ZL40A.30-12	密封垫 Seal Gasket	2	
22	GB93-87	垫圈 12 Lock Washer	8	
23	GB899-76	双头螺栓 M12 × 36 Stud	8	
24	GB6170-86	螺母 M12 Nut	8	
25	ZL40A.30-6	密封垫 Seal Gasket	1 组	
26	ZL40A.30-5A	端盖 End Cover	1	
27	GB5783-86	螺栓 M14 × 35 Bolt	8	
28	GB5781-86	螺栓 M14 × 40 Bolt	4	
29	GB93-87	垫圈 14 Lock Washer	4	
30	ZL40.6-64	圆柱销 Seal Gasket	1	
31		检油塞 1/4 " Tap	1	
32	GB93-87	垫圈 20 Lock Washer	2	

# 17. 变速箱(六) Transmission(6)



## 21.操纵系统 Control System

序号 Sr. No.	零件代号 Part No.	名称 Part Description	数量 Q'ty	备注 Remark
1	GB5781-86	螺栓 M5 × 12 Bolt	8	
2	GB93-87	垫圈 5 Washer	8	
3	ZL40.7.1-1	盖板 Cover	1	
4	ZL40.7.1-11	挡圈 Snap Ring	4	
5	ZL40.7.1-9	毡圈 Ring	2	
6	GB279-88	轴承 180101 Bearing	2	
7	ZL40.7.1-10	毡圈 Ring	2	
8	GB6170-86	螺母 M8 Nut	5	
9	GB93-87	垫圈 8 Washer	9	
10	ZL50E.15A.1-1	轴承座 Bearing Seat	1	
11	ZL50E.15A.1-3	U型螺栓 "U" Bolt	1	
12	ZL40.7.1-5	球头柱 Ball Pin	1	
13	ZL40.7.1-7	弹簧 Spring	1	
14	ZL40.7.1-6	弹簧座 Spring Seat	1	
15	GB91-86	销 2 × 10 Cotter Pin	1	
16	ZL40.7.1.1-1	销轴 Pin	1	
17	Z5G.2.1.1	转轴 Steering Shift	1	
18	Z5G.2.3	变速限位机构 Limitting Mechanism	1	
19	ZL50E.15A.1.2	手柄杆 Knob Lever	1	
20	GB6170-86	螺母 M12 Nut	1	
21	ZL40.7.1-16	手柄 Knob	1	
22	ZL40.7.1-8	盖板 Cover	1	
23	Z5G.2.1-1	轴承座 Bearing Seat	1	
24	ZL50E.15A-1	联接板 Link Plate	1	
25	GB97.1-85	垫圈 8 Washer	8	
26	ZL40.7.3-5	球头螺钉 Screw	4	
27	GB91-86	销 3.2 × 20 Cotter Pin	4	

CLICK HERE TO **DOWNLOAD** THE COMPLETE MANUAL

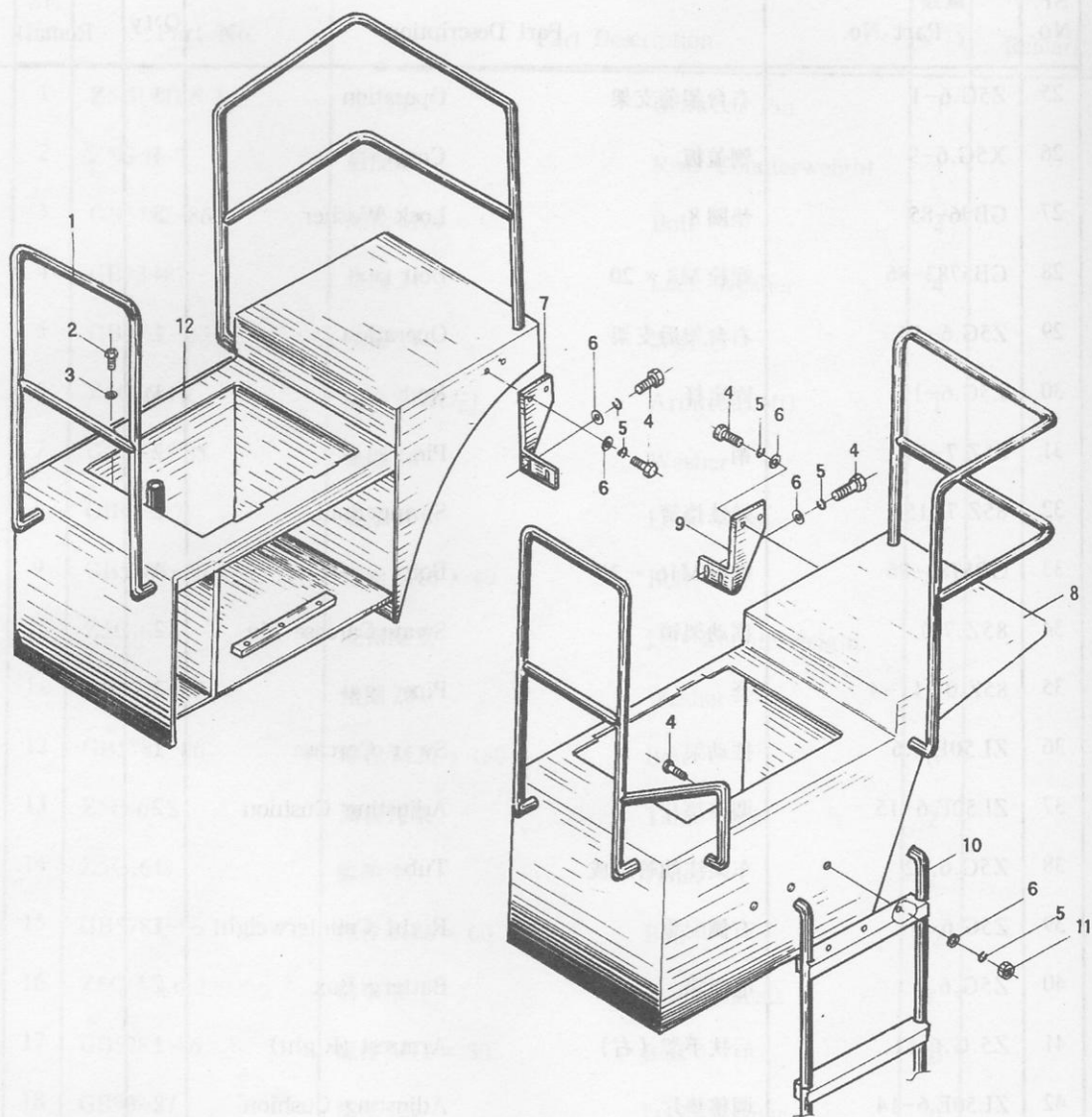
- Thank you very much for reading the preview of the manual.
- You can download the complete manual from: [www.heydownloads.com](http://www.heydownloads.com) by clicking the link below



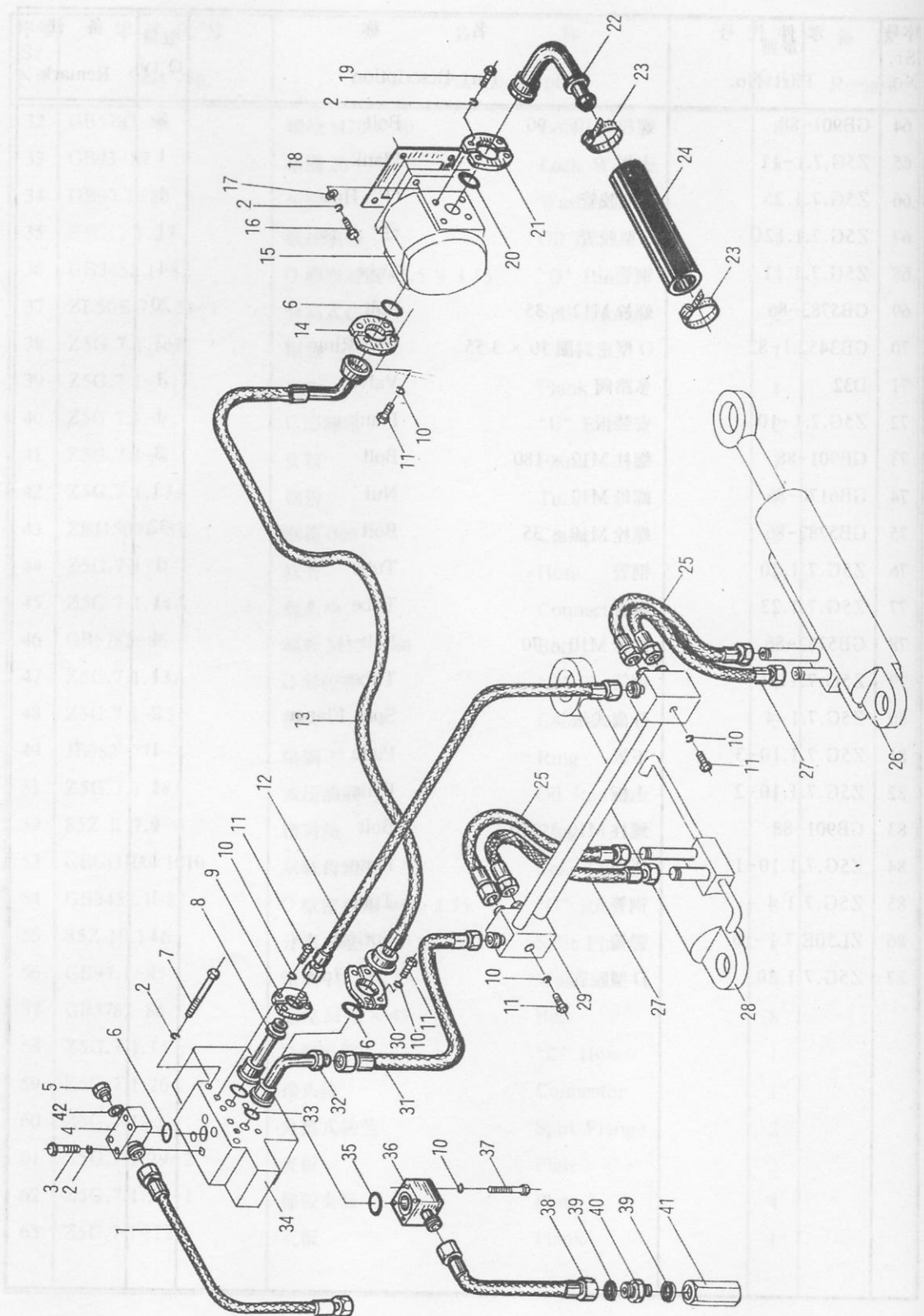
- Please note: If there is no response to CLICKING the link, please download this PDF first and then click on it.

CLICK HERE TO **DOWNLOAD** THE COMPLETE MANUAL

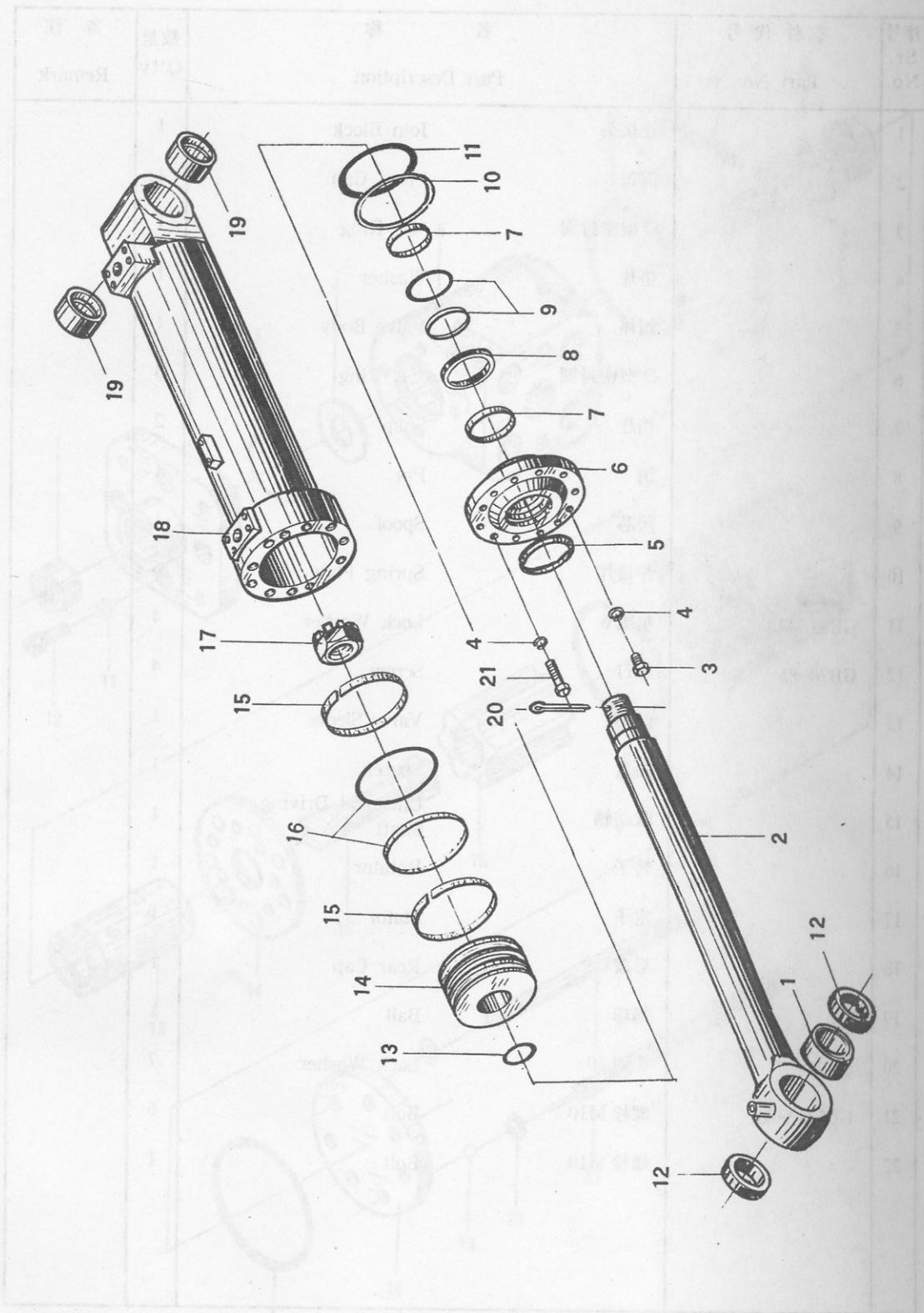
# 25. 左右台架 Left Right Platform



## 29. 转向液压系统 Steering Hydraulic System



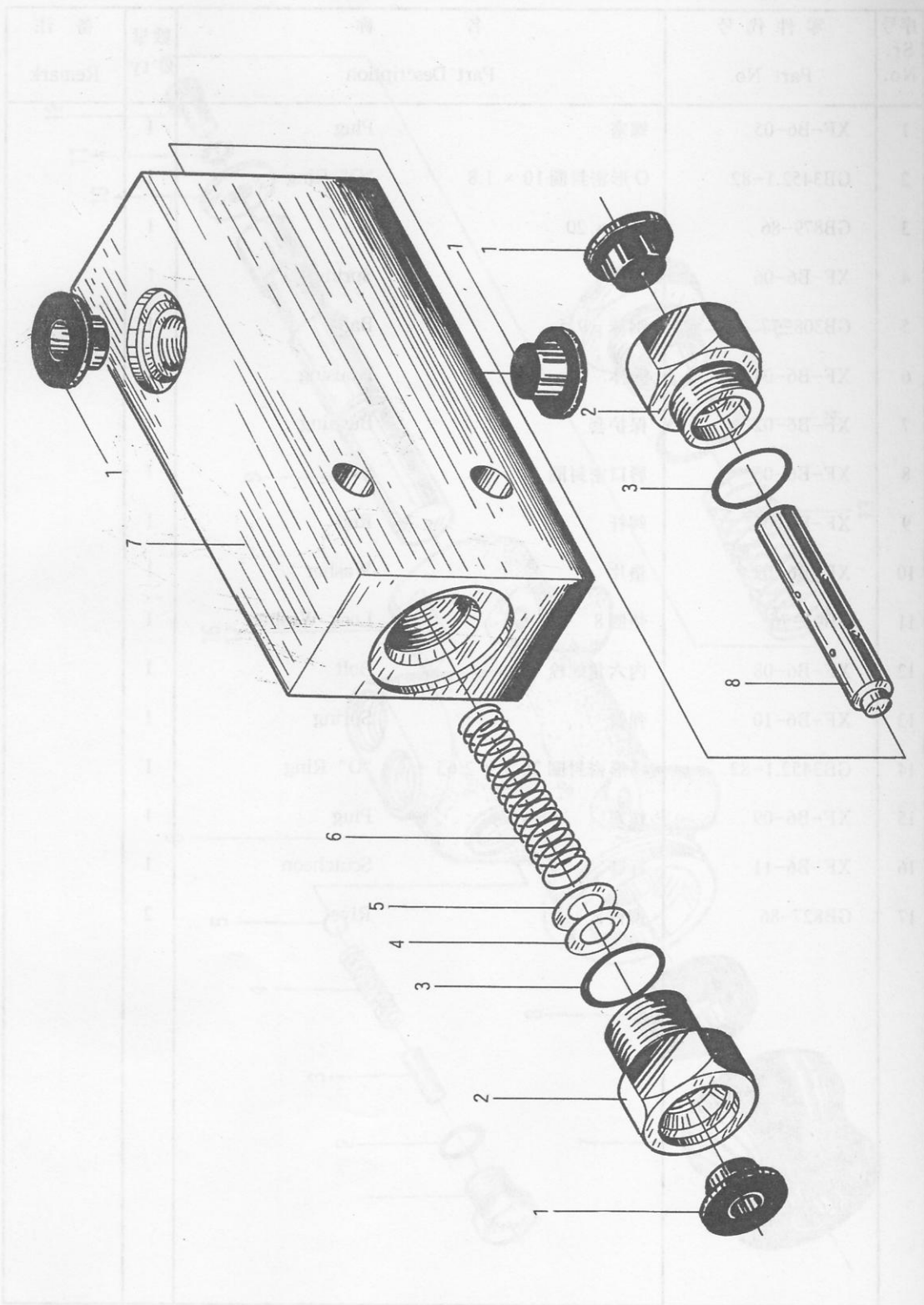
### 33.转斗油缸 Tilt Cylinder



### 37. 齿轮泵 Gear Pump

序号 Sr. No.	零件代号 Part No.	名 称 Part Description	数量 Q'ty	备 注 Remark
1	GB893.1-86	档圈 56 Retaining Ring	1	
2	HG4-692-67	骨架油封 PC35 × 56 × 12 Shaft Seal	2	
3		垫片 Washer	1	
4	CBAA2-02	前盖 Front Cover	1	
5	CBAA2-03	轴套 Bearing Bush	4	
6	CBAA2-10	滑动轴承 Bearing Block	4	
7		挡片 Thrust Washer		
8		密封垫 Seal		
9	CBAA2-06	侧板 Wear Plate	2	
10	GB1235-76	O形密封圈 120 × 3.1 "O" Ring	2	
11		泵体 Pump	1	
12		主动齿轮轴 Drive Gear Assembly	1	
13		从动齿轮轴 Driven Gear Assembly	1	
14		后盖 Back Cover	1	
15	GB93-76	垫圈 16 Washer	4	
16	GB70-85	圆头内六角螺钉 M16 Cap Screw	4	
17	GB93-76	垫圈 12 Washer	2	
18	GB70-85	圆头内六角螺钉 M12 × 40 Cap Screw	2	
19		键 Key	1	

## 42. 选择阀 Selective Valve



## 46.手制动器总成 Parking Braker Assy

序号 Sr. No.	零件代号 Part No.	名 称 Part Description	数量 Q'ty	备 注 Remark
1	GB5786-86	螺栓 M12 × 1.25 × 30 Bolt	8	
2	GB93-87	垫圈 12 Lock Washer	8	
3	YCX-4	制动鼓 Brake Drum	1	
4	ZL40.13.1-3	法兰 Flange	1	
5	GB1235-76	O 型圈 56 × 3.5 "O" Ring	1	
6	YCX.3-1	板 Plate	1	
7	YCX.4.1	筋板焊合 ( II ) Brake Shoe Assy( II )	1	
8	YCX2-1	制动衬片 Lining	2	
9	GB872-86	铆钉 5 × 12 River	12	
10	YCX-3	弹簧 Spring	4	
11	GB5782-86	螺栓 M14 × 30 Bolt	4	
12	GB93-87	垫圈 14 Lock Washer	4	
13	YCX-1	拉杆轴 Camshaft	1	
14	YCX-1	铆接座板 Anchor Plate	1	
15	YCX.1-3	座圈 Washer	1	
16	YCX-2	拉杆 Lever	1	
17	GB95-85	垫圈 16 Washer	1	
18	GB93-87	垫圈 16 Lock Washer	1	
19	GB41-86	螺母 M16 Nut	1	
20	YCX.2.1	筋板焊合 ( I ) Brake Shoe Assy( I )	1	
21	YCX.1-2	铆钉 River	2	
22	YCX.3-2	铆钉 River	1	

CLICK HERE TO **DOWNLOAD** THE COMPLETE MANUAL

- Thank you very much for reading the preview of the manual.
- You can download the complete manual from: [www.heydownloads.com](http://www.heydownloads.com) by clicking the link below



- Please note: If there is no response to CLICKING the link, please download this PDF first and then click on it.

CLICK HERE TO **DOWNLOAD** THE COMPLETE MANUAL