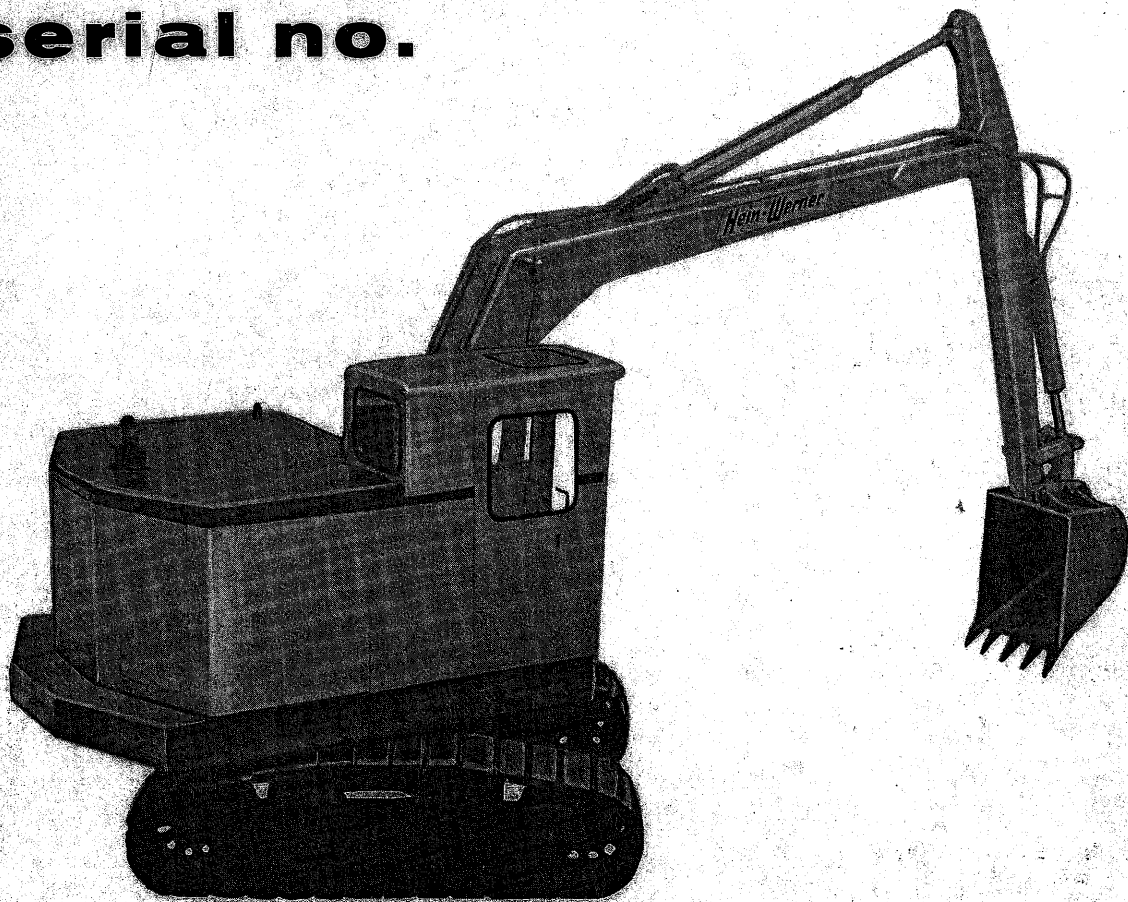




HYDRAULIC EXCAVATORS

service manual
model
serial no.



9308127



CORPORATION
CONSTRUCTION EQUIPMENT DIVISION
WAUWATOSA, WISCONSIN 53187

CLICK HERE TO **DOWNLOAD** THE COMPLETE MANUAL

- Thank you very much for reading the preview of the manual.
- You can download the complete manual from: www.heydownloads.com by clicking the link below



- Please note: If there is no response to CLICKING the link, please download this PDF first and then click on it.

CLICK HERE TO **DOWNLOAD** THE COMPLETE MANUAL

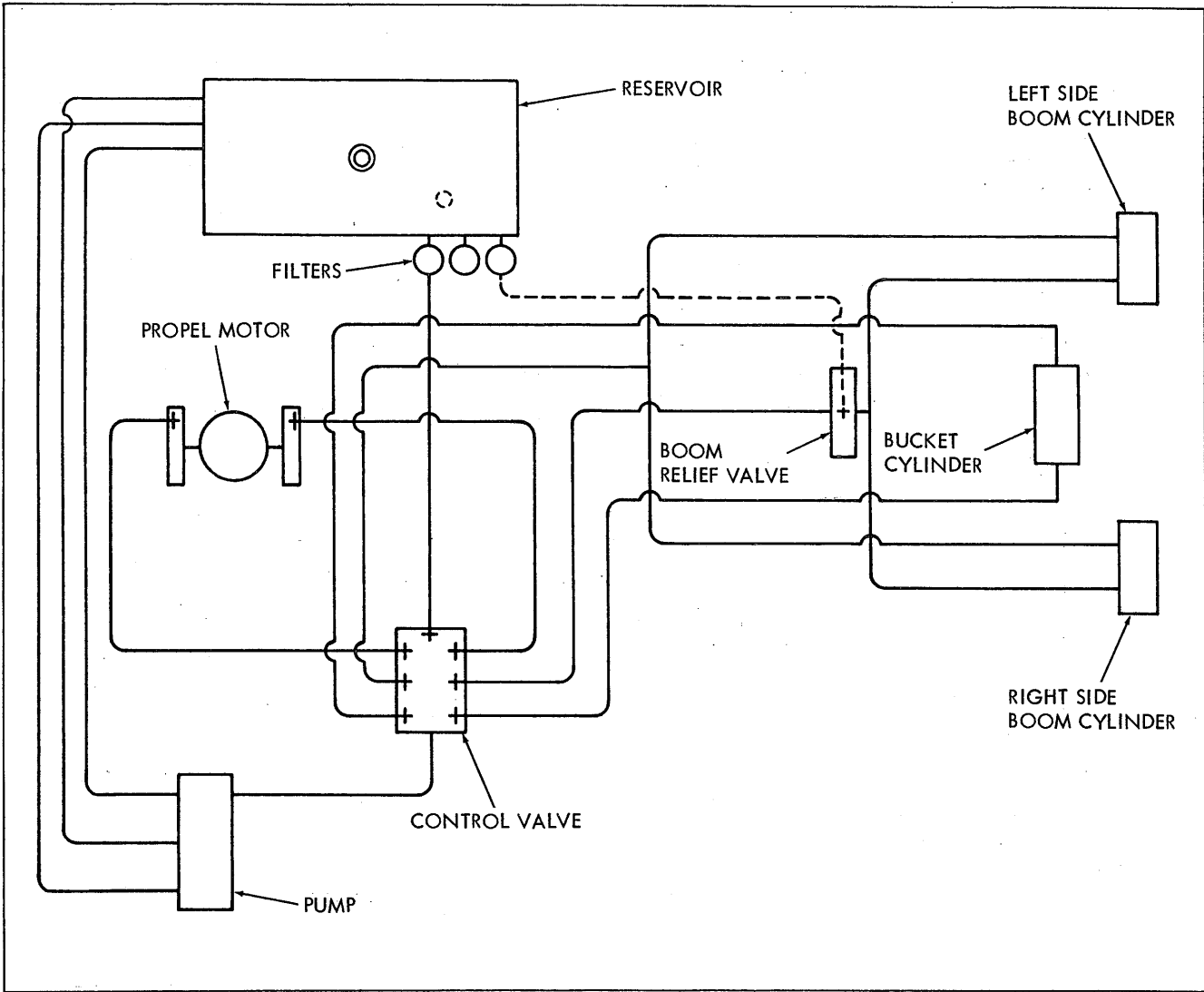


Figure 5. Boom, Bucket, and Propel System Hydraulic Schematic

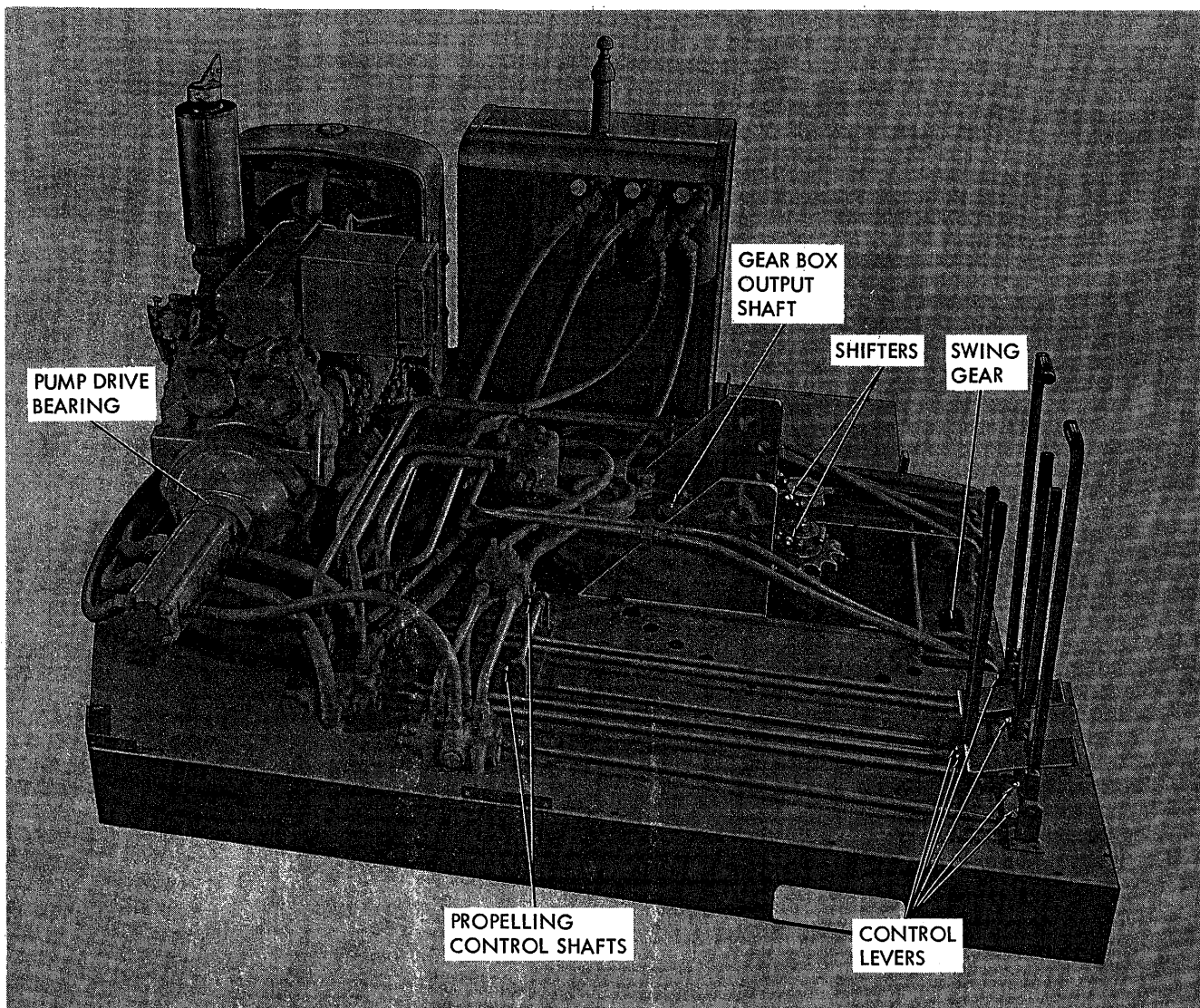


Figure 17. Lubrication Diagram for Machinery Platform

Do not lubricate crawler underbody propel drive chains. Be sure to lubricate all lubrication points of crawler underbody daily, even though the machine has not been traveling, since there is movement when digging and swinging.

Be sure to check indication of oil filter gages daily. The filter element needs cleaning (cleanable type) or replacement (disposable type) whenever the gage needle indicates in the red range. If cleaning or replacing one filter element, be sure to clean or replace the other two elements at the same time.

When the machine is shipped from the factory, the hydraulic system is filled with a premium grade hydraulic oil which is compatible with any premium grade SAE 20 mill or engine oil. When extreme temperature conditions are encountered, consult the factory for hydraulic system oil recommendations.

CAUTION

Do not, under any circumstances, dilute the hydraulic system oil with kerosene. The hydraulic system components depend on the lubricating properties of the hydraulic system oil.

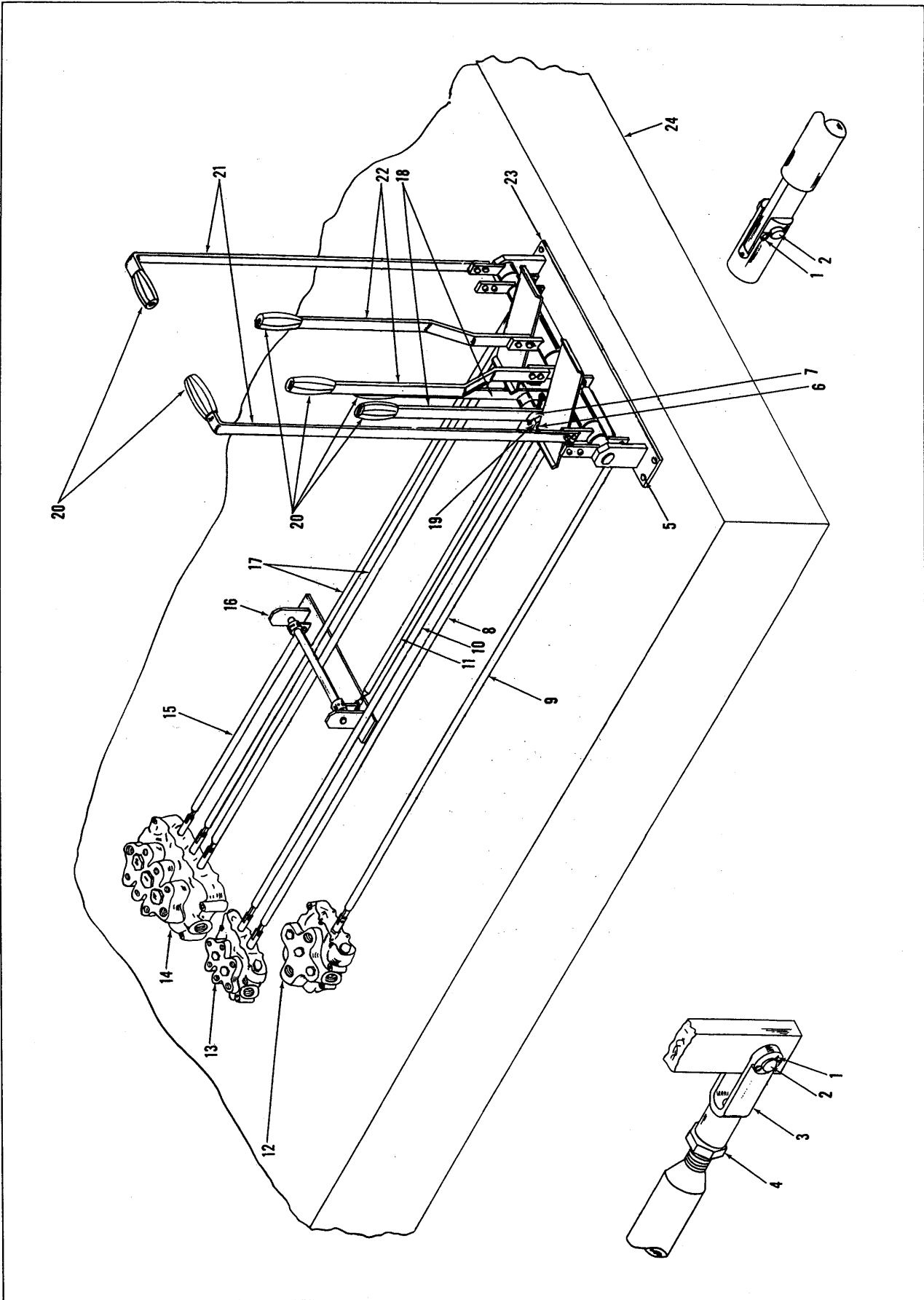


Figure 25. Machinery Platform With Controls

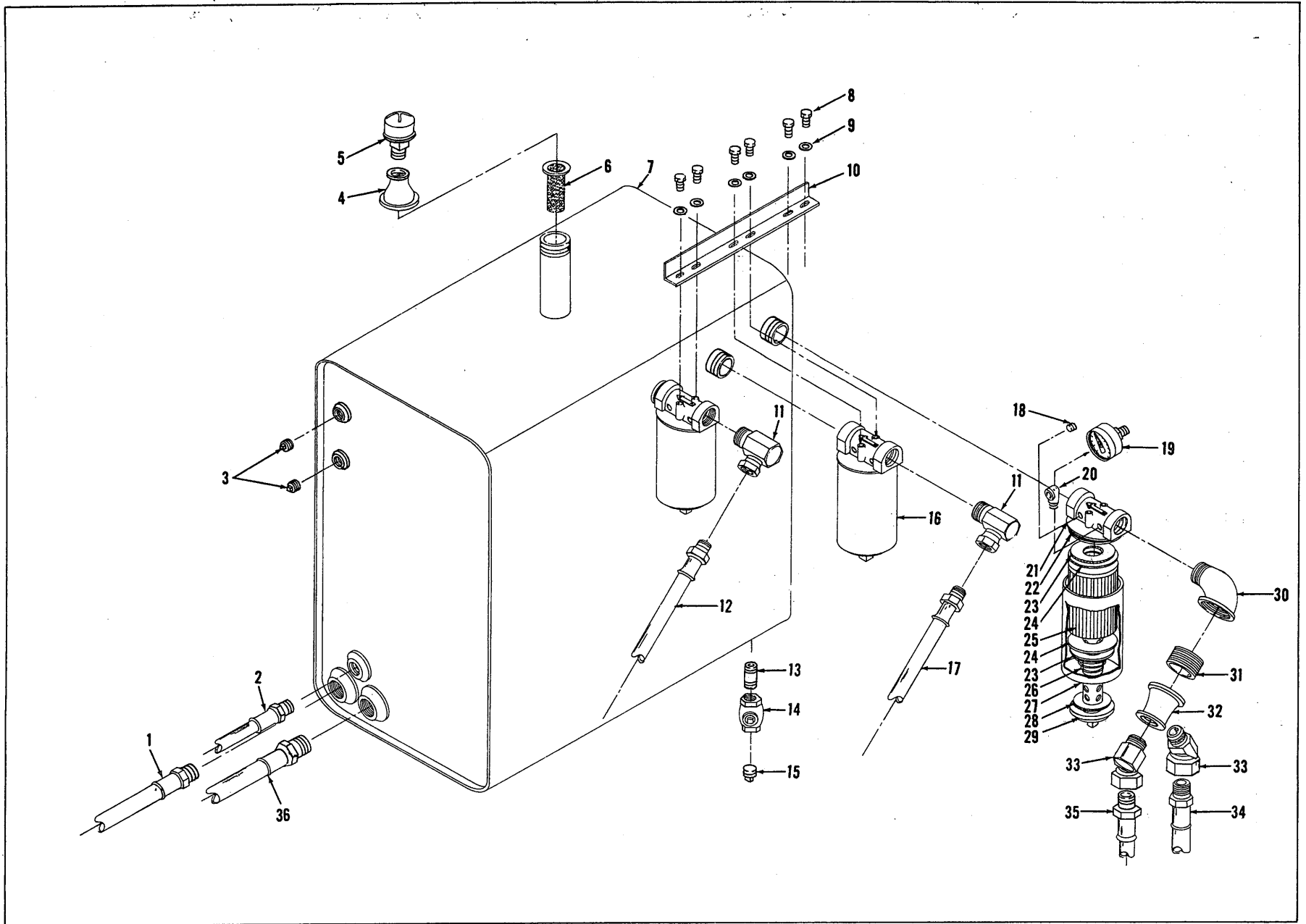


Figure 34. Hydraulic Reservoir and Filters

WHEN ORDERING PARTS FOLLOW THE INSTRUCTIONS OUTLINED ON PAGE II

Index Number	Part Number	Description	Quantity
SWING SYSTEM (CONT)			
17	400203	Washer	36
18	220025	Swing Bearing	1
19	400202	Nut	36
20	400189	Cap Screw	34
	250020	Swing Bearing Shim (No. 31 gage)	as reqd
	250019	Swing Bearing Shim (No. 22 gage)	as reqd
	250018	Swing Bearing Shim (No. 16 gage)	as reqd
	250024	Swing Bearing Shim (0.005 in.)	as reqd

Index Number	Part Number	Description	Quantity
UPPER PROPEL SYSTEM			
1	400015	Grease Fitting	1
2	220016	Thrust Bearing	2
3	210042	Driven Sprocket	1
4	250013	Shim	as reqd
5	400091	Snap Ring	2
6	330058	Shift Yoke	1
	250014	Spacer	1
	210048	Pin	1
7	330057	Shift Yoke	1
	250015	Spacer	1
	400099	Cotter Pin	1
8	220014	Bushing	2
9	220015	Bushing	2
10	210041	Shaft	1
11	200011	Bevel Gear	1
12	400186	Bolt	4
13	400204	Lockwasher	4
14	400181	Nut	4
15	400017	Nut	4
16	400098	Washer	4
17	400195	Bolt	4
18	400067	Bolt	2
19	400069	Nut	2
20	240040	Propel Gear Box	1
21	210059	Drive Sprocket	1
22	400253	Snap Ring	1
	230020	Propel Drive Chain	1
	400212	Stud-Propel Motor Mounting	4
	400055	Nut-Propel Motor Mounting	4
	400056	Lockwasher-Propel Motor Mounting	4
	400193	O-Ring-Propel Motor Mounting	1

CLICK HERE TO **DOWNLOAD** THE COMPLETE MANUAL

- Thank you very much for reading the preview of the manual.
- You can download the complete manual from: www.heydownloads.com by clicking the link below



- Please note: If there is no response to CLICKING the link, please download this PDF first and then click on it.

CLICK HERE TO **DOWNLOAD** THE COMPLETE MANUAL