

harman/kardon

HK3480 STEREO RECEIVER

SERVICE MANUAL



CONTENTS

ESD WARNING.....	2	DISASSEMBLY PROCEDURES.....	17
LEAKAGE TESTING.....	3	EXPLODED VIEW	20
SPECIFICATIONS	4	BLOCK DIAGRAM.....	21
FRONT PANEL CONTROLS	5	FRONT PANEL DISPLAY.....	22
REAR PANEL CONNECTIONS	8	IC DESCRIPTIONS/PINOUTS.....	26
REMOTE CONTROL FUNCTIONS	10	ELECTRICAL PARTS LIST	40
TROUBLESHOOTING GUIDE.....	12	PCB DRAWINGS.....	46
PROCESSOR RESET.....	12	SCHEMATICS.....	48
AMPLIFIER BIAS ADJUSTMENT.....	13	WIRING DIAGRAM.....	54
BULLETIN HK2003-10.....	14	PACKAGE.....	55
BULLETIN HK2004-02.....	16		

harman/kardon, Inc.
250 Crossways Park Dr.
Woodbury, New York 11797

Rev2 2/2006

CLICK HERE TO **DOWNLOAD** THE COMPLETE MANUAL

- Thank you very much for reading the preview of the manual.
- You can download the complete manual from: www.heydownloads.com by clicking the link below



- Please note: If there is no response to CLICKING the link, please download this PDF first and then click on it.

CLICK HERE TO **DOWNLOAD** THE COMPLETE MANUAL

TROUBLESHOOTING GUIDE

This unit is designed for trouble-free operation. Most problems users encounter are due to operating errors. So, if you have a problem, first check this list for a possible solution. If the problem persists, consult your authorized Harman Kardon service center.

If the problem is . . .	Make sure that the . . .
No lights appear when POWER button is pressed	Unit is plugged into a live outlet
No sound is heard	Unit has not been muted Correct input function selector button has been pressed Volume is turned up Speakers have been turned on using the Speaker Selectors Headphones are not in use Jumper pins are in place, unless an external amplifier is in use
No output from one or more channels	Cables are not defective: check/replace speaker cables
Tuner sound has a large amount of interference, or The "Stereo" display is not illuminated, or Tuner sound distorts and/or volume level is too low	Antenna is properly connected Antenna is properly located Antenna is set in the proper direction Antenna is adequate to receive the desired station
Tuner is intermittent or continuously buzzing or hissing	Unit is away from fluorescent lights, TVs, motors and other electrical appliances
Remote does not function correctly	Batteries are not weak, and replace them if necessary Room lighting is not overly bright
Cassette or CD sounds distorted	Cassette deck or CD player has not been plugged into the Phono Input ② (only use the outputs of a turntable or tone arm with the Phono Input ②)
Turntable sounds distorted	Turntable has been plugged into the Phono Input ② , as the other inputs are not compatible with turntable signal levels
No video image	Video source unit's video output is properly connected, the source is turned on and the correct video input on the HK 3480 has been selected Video Monitor Output ①⑨ is connected to a TV or video display, and that the TV is turned on and the proper input on the TV has been selected

Memory Backup

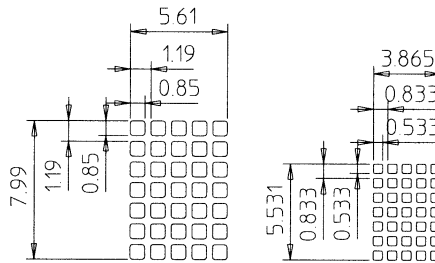
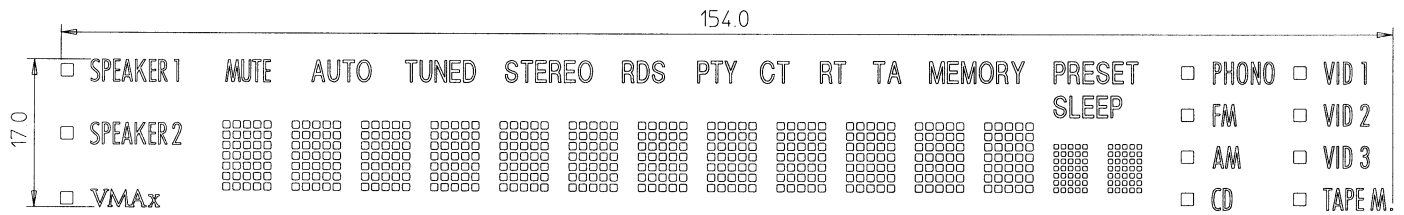
This product is equipped with a non-volatile EEPROM (Electrically Erasable and Programmable Read-Only Memory) that preserves tuner presets and system configuration information without the unit being connected to a main power source for any prolonged period of time.

Processor Reset

In the rare case where the unit's operation or the displays seem abnormal, the cause may involve the erratic operation of the system's memory or microprocessor.

To correct this problem, first unplug the unit from the AC wall outlet and wait at least thirty minutes. After the pause, reconnect the AC power cord and check the unit's operation. If the system still malfunctions, a system reset may clear the problem. To reset the system, first turn the HK 3480 off by pressing the System Power Control. Next, press and hold the front-panel Mute Button for at least 4 seconds. The Main Information Display will briefly show the word RESET, and then return to normal operation. When the system is reset in this fashion, all tuner presets will be lost and must be reentered. If the system is still operating incorrectly, there may have been an electronic discharge or severe AC line interference that has corrupted the memory or microprocessor. If these steps do not solve the problem, consult an authorized Harman Kardon service center.

PATTERN DETAILS



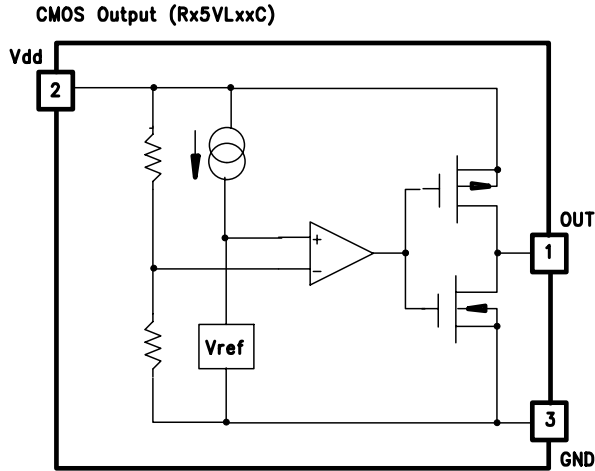
© Color of Illumination ©

- Green (G ; x=0.250,y=0.439) --- All Patterns.

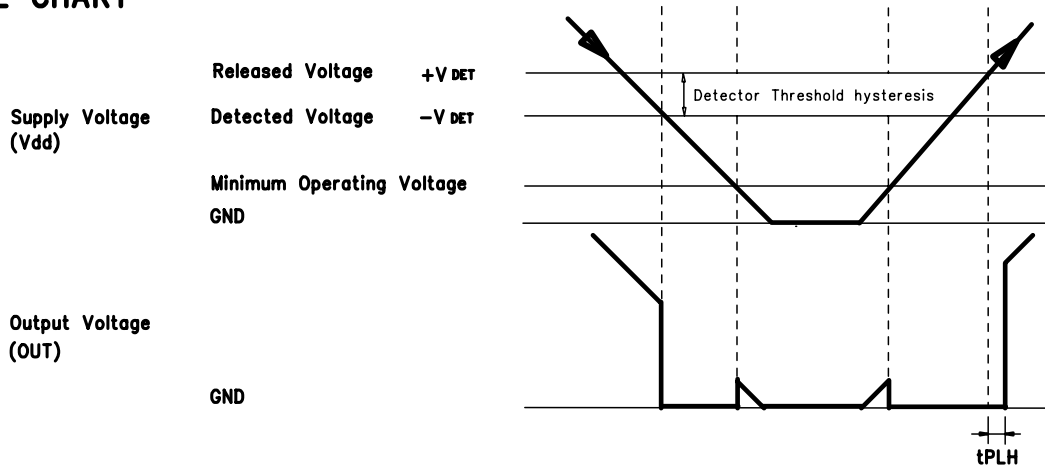
MODEL : HCA-16ML08
 PATTERN DETAILS
 Rev. ① 26-Jun-2003

RE5VL28CATZ (VOLTAGE DETECTOR : IC85)

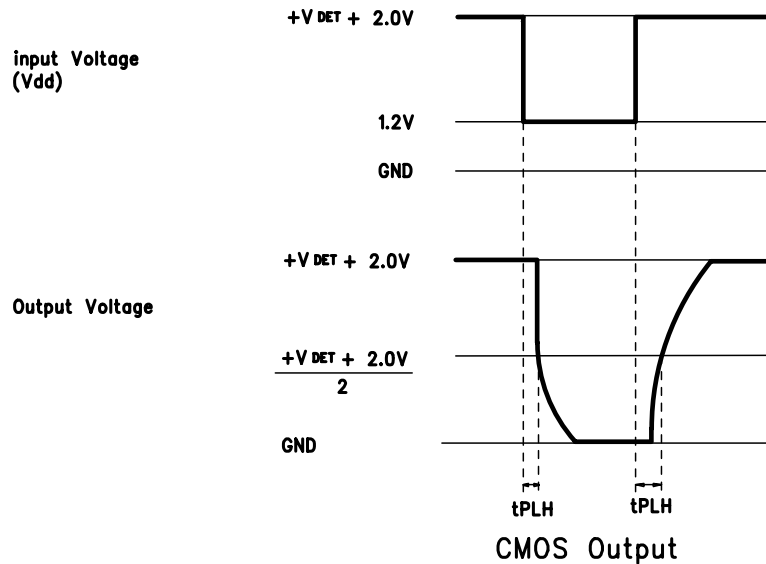
■ BLOCK DIAGRAM



■ TIME CHART



■ DEFINITION OF OUTPUT DELAY TIME tPLH



Ref. Designator	Part Number	Description	
JK13	CJJ4R019W	TERMINAL , IN/OUT	
JK14	CJJ4R021W	JACK , IN/OUT	
JK15	CJJ5Q006Z	TERMINAL , SPEAKER	
T602	CLT5J033ZU	TRANS , SUB	SR-68
RY61	HSL1A008ZE	RELAY	SDT-S-112DMR
RY31,32	HSL4A004ZU	RELAY	OSA-SS-212DM3
F601,603~604	KBA2C8000TLEY	LITTEL FUSE	T 8A L 250V
F602	KBA2D2500TLET	FUSE	T 2.5A L 250V
OL61	KJJ7A015Z	OUTLET , AC(UL/2P/SEP)	A204D0041P
TH31	KRTP42T7D330B	THERM SENSOR, POSISTOR	P42T7D330BW20
T601	CLT5V036ZU	TRANS , POWER	

TUNER

HK3480 Tuner is only available as a complete PCB Module - part# CNVKSTM9014MS07

CLICK HERE TO **DOWNLOAD** THE COMPLETE MANUAL

- Thank you very much for reading the preview of the manual.
- You can download the complete manual from: www.heydownloads.com by clicking the link below



- Please note: If there is no response to CLICKING the link, please download this PDF first and then click on it.

CLICK HERE TO **DOWNLOAD** THE COMPLETE MANUAL