

harman/kardon

Model FL8300

5 Disc Compact Disc Changer

SERVICE MANUAL



CONTENTS

LASER BEAM SAFETY PRECAUTIONS	2	TECH TIP TIP# HKTT2003-02.....	26
OTHER PRECAUTIONS	3	TROUBLESHOOTING	27
LEAKAGE TEST	4	PRINTED CIRCUIT BOARDS	34
SPECIFICATIONS	5	GENERAL UNIT EXPLODED VIEW I, II	37
CONTROL AND FUNCTIONS	7	GENERAL UNIT PARTS LIST.....	40
BLOCK DIAGRAM	9	ELECTRICAL PARTS LIST	41
PICKUP REPLACEMENT.....	11	SEMICONDUCTOR IDENTIFICATION.....	44
CIRCUIT DESCRIPTION	13	PACKAGE	52
BULLETIN #9604.....	22	SCHEMATIC DIAGRAM	53
BULLETIN #9607.....	23	WIRING DIAGRAM	61
BULLETIN #9703.....	24		

harman/kardon, Inc.
250 Crossways Park Dr.
Woodbury, New York 11797

Rev1 3/2003

CLICK HERE TO **DOWNLOAD** THE COMPLETE MANUAL

- Thank you very much for reading the preview of the manual.
- You can download the complete manual from: www.heydownloads.com by clicking the link below



- Please note: If there is no response to CLICKING the link, please download this PDF first and then click on it.

CLICK HERE TO **DOWNLOAD** THE COMPLETE MANUAL

5. Remove the pickup (See Fig. 6).

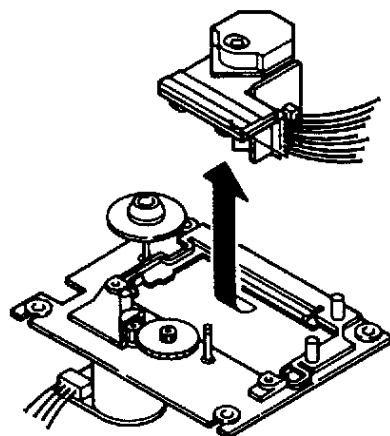


Fig. 6

6. After you connect the wire connector, desolder and remove the shorting tab (See Fig.7).

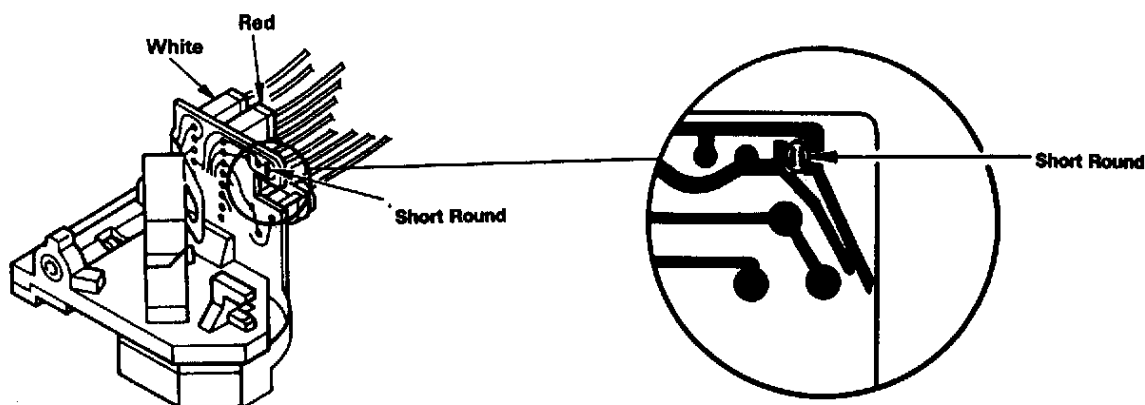


Fig. 7

7. Refer to the "EXPLODED VIEW II" of the compact disc mechanism on page 31 for detailed illustrations.

OPERATION CHECK

When the power switch is turned on after the chucking arm is removed, observe the objective lens and check the following. (The optical system block should be at the lead-in position when it is checked.)

1. The disc table should be at the innermost position after the chucking arm is removed.
2. The diffused light of the laser beam can be seen when the power switch is turned on.
3. Vertical (up and down) movement of the objective lens take place (2 or 3 times).

Service bulletin # 9607-January 97

This is considered a Major Repair

To: All harman/kardon Service Centers

Models: FL8300 Compact disc changer

Subject: Failure to play Multi-media CDs or skip data tracks

Early FL8300 CD Players used a micro-computer which could not read the table of contents (TOC) of certain multimedia CD's or skip data tracks on multimedia CD's. During two running production changes, new Microprocessor were installed which performs as shown in the table below:

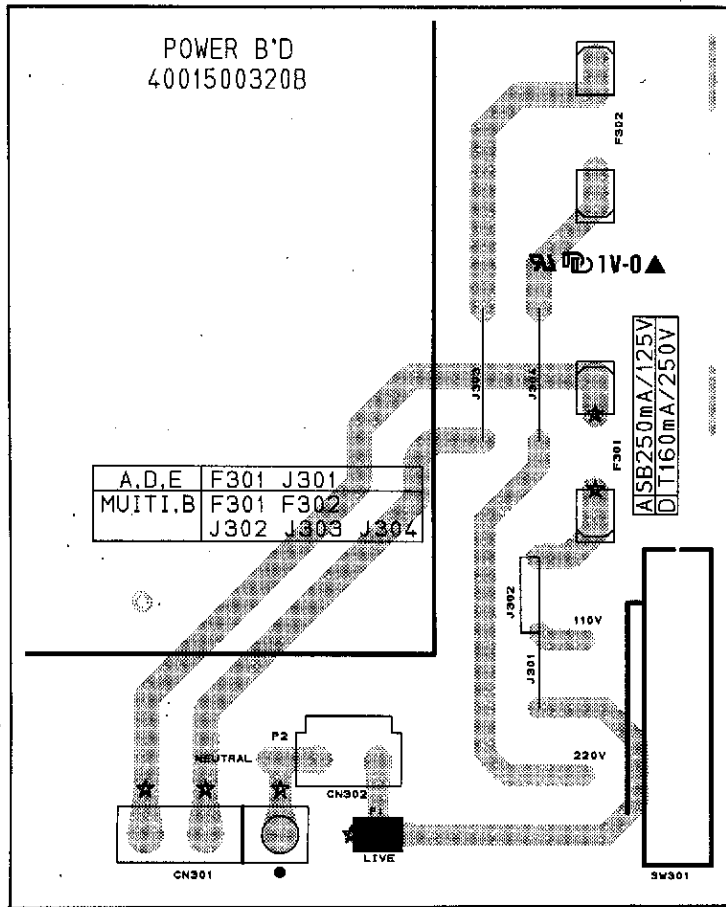
Description IC112	Part Number	Serial number Range120V	Serial number Range230V	Processor action	Year/Month first used
CXP21320-322 DWP325	2138322197	IN0019-01001 to IN0019-29000	IN0020-01001 to IN0020-05500	Does not play Multimedia CD	95 October
CXP82320-352Q DWP325A	2139322710	IN0019-29001 to IN0019-53790	IN0020-05501 to IN0020-08510	Plays Multimedia CD, Mutes at data track	96 July
CXP82320-367Q DWP325B	2139322722	IN0019-53791 to present production	IN0020-08511 to present production	Plays Multimedia CD, Skips data tracks	96 November

In the event you receive a FL8300 from a consumer with a complaint "Player will not read or, loudspeakers make strange noise while playing multimedia CDs", replace IC112 with H/K Part number 2139322722.

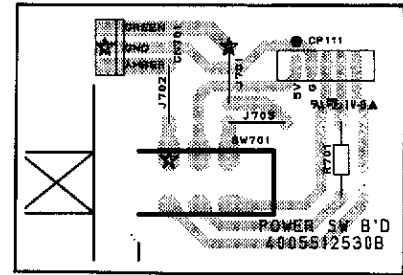
The IC can be identified by CXP82320-367Q DPW 325B printed on its case.

PRINTED CIRCUIT BOARDS

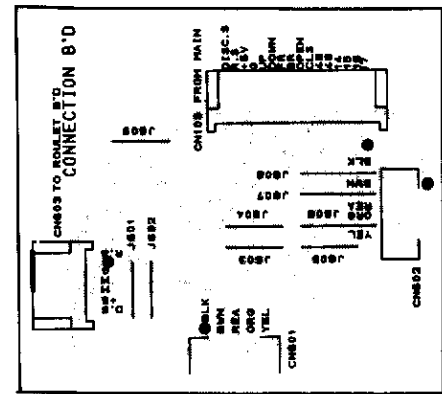
PCB2(POWER)



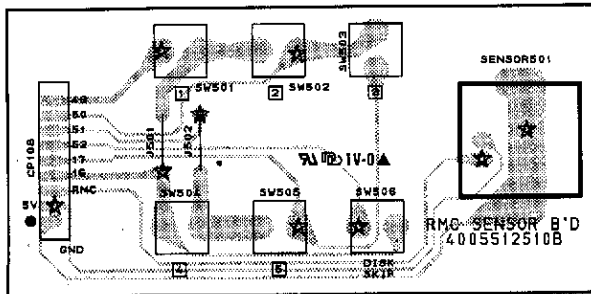
PCB7(POWER S/W)



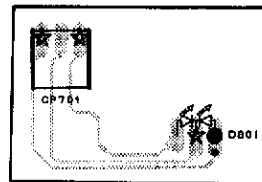
PCB9(CONNECTION)



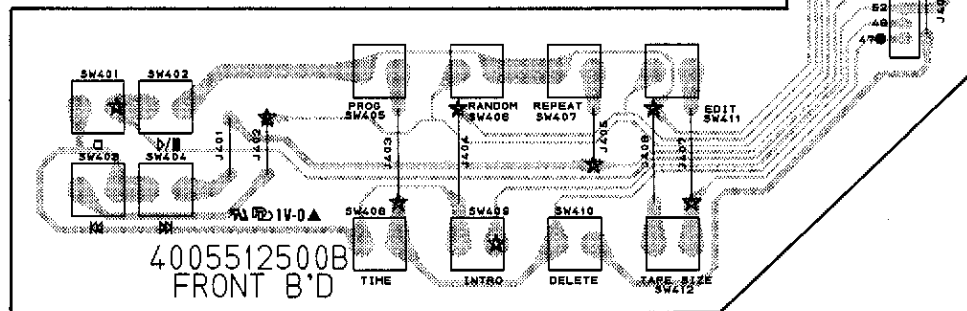
PCB5(RMC SENSOR)



PCB8(LED)

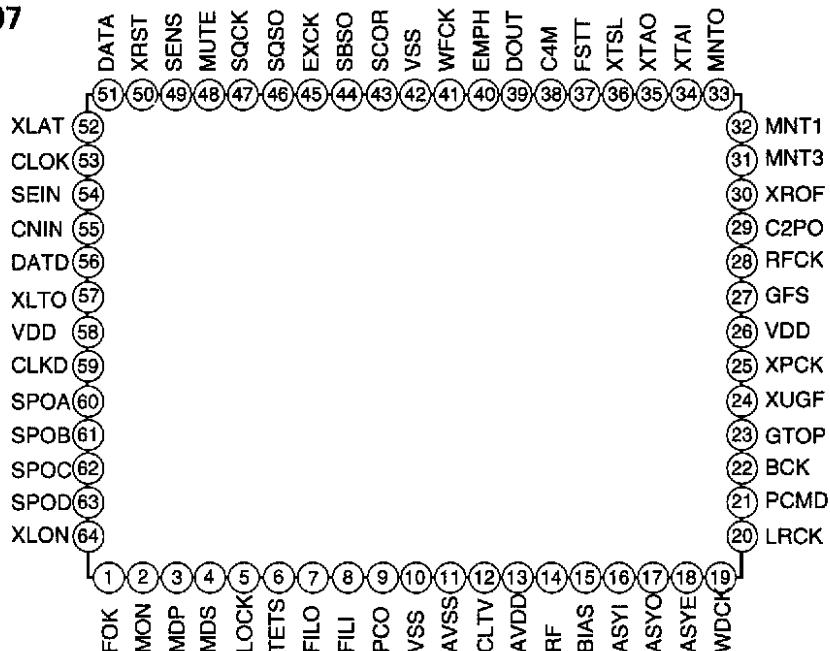


PCB4(FRONT)

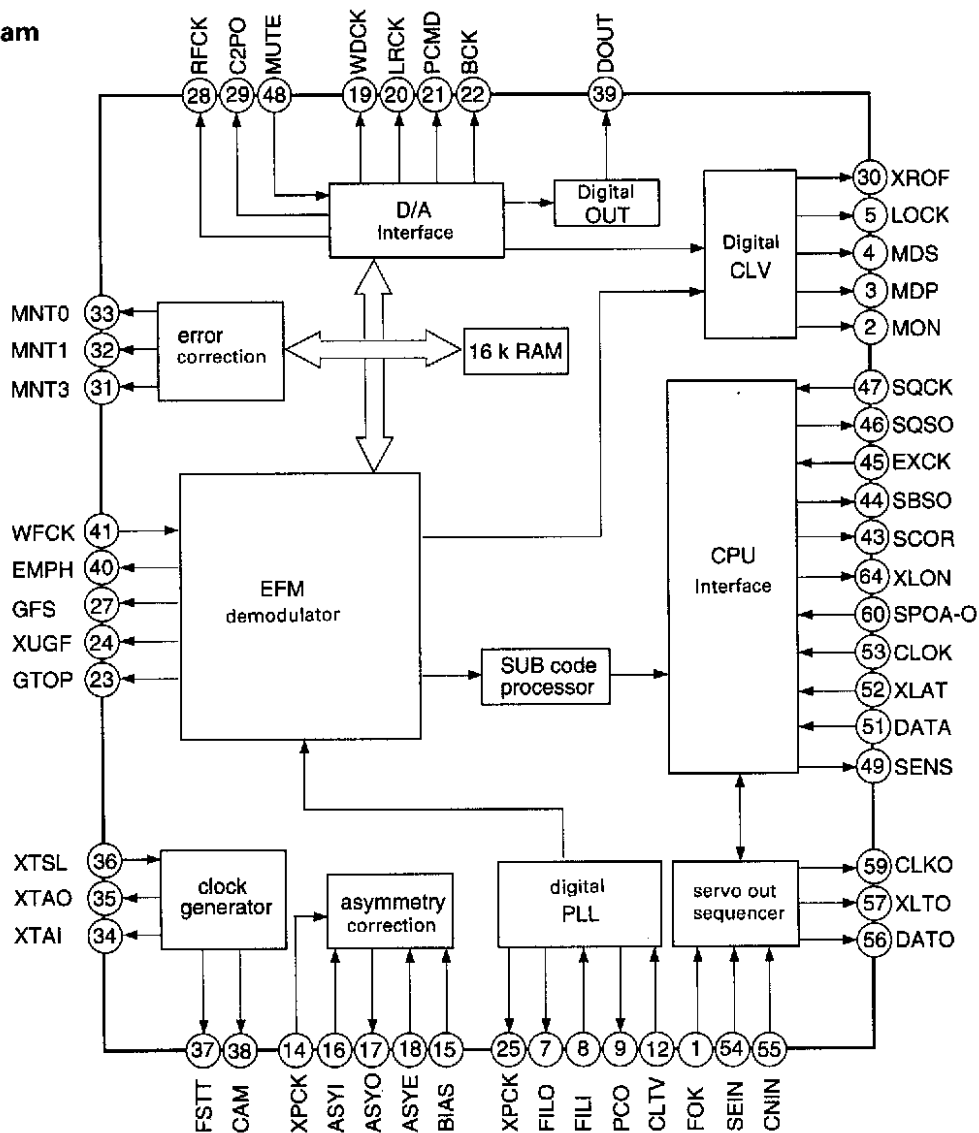


CXD 2607Q : IC107

1. Pin Diagram



2. Block Diagram



CLICK HERE TO **DOWNLOAD** THE COMPLETE MANUAL

- Thank you very much for reading the preview of the manual.
- You can download the complete manual from: www.heydownloads.com by clicking the link below



- Please note: If there is no response to CLICKING the link, please download this PDF first and then click on it.

CLICK HERE TO **DOWNLOAD** THE COMPLETE MANUAL