

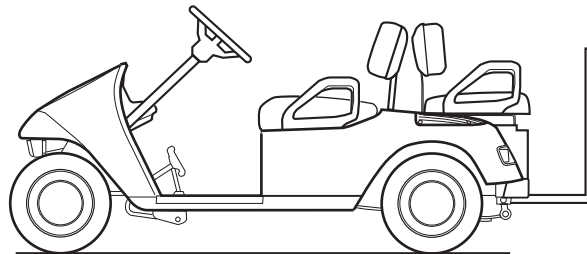
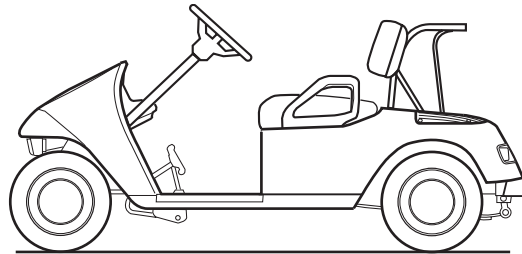
602907



A Textron Company



SERVICE PARTS MANUAL



Ref Fcv 1

ELECTRIC POWERED FLEET GOLF CARS & PERSONAL VEHICLES

REVISED DATE: DEC. 2006

CLICK HERE TO **DOWNLOAD** THE COMPLETE MANUAL

- Thank you very much for reading the preview of the manual.
- You can download the complete manual from: www.heydownloads.com by clicking the link below



- Please note: If there is no response to CLICKING the link, please download this PDF first and then click on it.

CLICK HERE TO **DOWNLOAD** THE COMPLETE MANUAL

ACCELERATOR

Where applicable, THE USE OF NON UL PARTS WILL VOID ANY UL LISTING.

When ordering parts, please specify the model and serial number of the product.

* Indicates a component that is not available as an individual part.

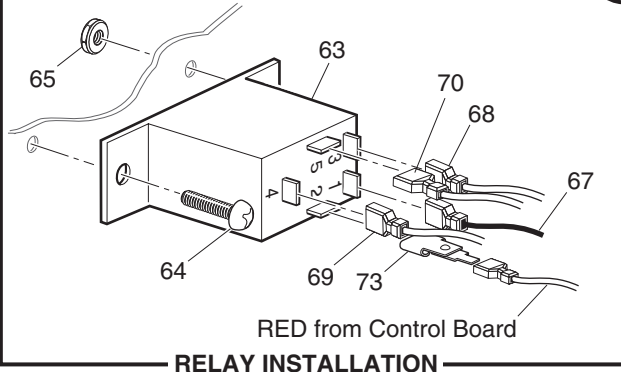
G** Indicates consult Customer Service Department for additional information.

ITEM	PART NO.	1 2 3 4 5	DESCRIPTION	QTY.
1	73333-G09		PEDAL BOX ASSEMBLY (INCLUDES ITEMS 3 - 19, 21, 23, 26 - 43).....	1
2	73333-G10		PEDAL BOX ASSEMBLY, PDS MODEL ONLY (INCLUDES ITEMS 3 - 17, 20, 21, 24 - 43)	1
3	25853-G01		PEDAL BOX AND COVER (SEAL AND BEARING).....	1
4	25854-G01		INDUCTIVE THROTTLE SENSOR	1
5	00983-G01		SELF THREADING NUT, 3/16"	2
6				
7	25857-G01		PLUNGER SLEEVE.....	1
8	28443-G01		PLUNGER.....	1
9	28444-G01		PLUNGER CAM.....	1
10				
11	73332-G01		ACCELERATOR ROD	1
12	00532-G4		NUT, 5/16 - 24	1
13	10385-G4		CLEVIS YOKE (ADJUSTABLE).....	1
14	17677-G2		SPRING RETAINER, 3/8".....	1
15	73046-G01		COMPRESSION SPRING	1
16	17979-G1		ACCELERATOR ROD BUSHING.....	1
17	17677-G1		SPRING RETAINER, 1/2".....	1
18				
19	25861-G01		MICRO SWITCH.....	1
20	25861-G02		MICRO SWITCH (PDS MODEL ONLY)	1
21	01050-G01		SCREW-PLASTITE, #4 - 20 X 5/8" LG.....	2
22				
23	25879-G03		WIRING HARNESS (PEDAL BOX ASSEMBLY).....	1
24	25879-G05		WIRING HARNESS (PEDAL BOX ASSEMBLY) (PDS MODEL ONLY).....	1
25				
26	00684-G6		SCREW, #8 - 32 X 3/4" LG (STAINLESS STEEL)	4
27				
28	70116-G02		ACCELERATOR PEDAL BRACKET	1
29	01051-G01		SCREW, #8 - 16 X 1/2" LG.....	4

BATTERY CHARGER - ON BOARD 36 VOLT

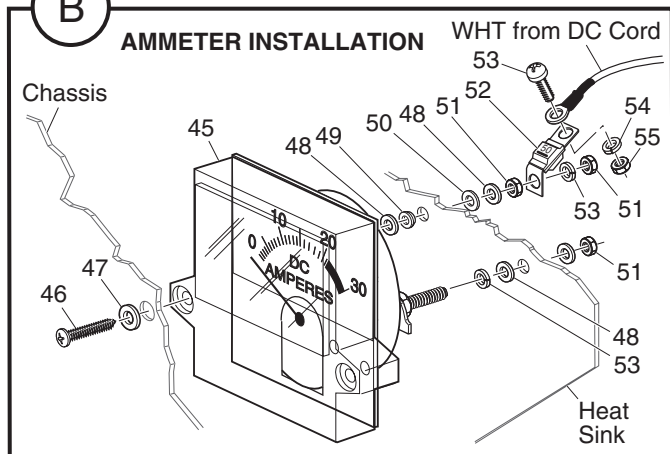
- Pin 1 - Wire 67 to Input Board "COM"
- Pin 2 - Tab Adapter 73, RED wire from Control Board
- Pin 3 - Wire 68 to Input Board "WHT"
- Pin 4 - Wire 69 to Heat Sink Clip
- Pin 5 - Wire 70 to DC Cord RED Wire

A

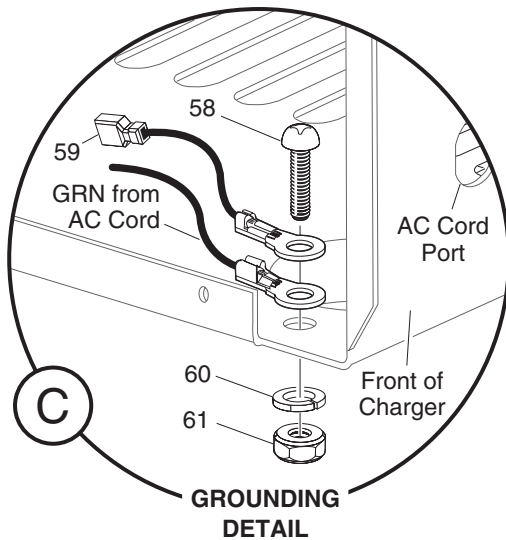


B

AMMETER INSTALLATION



C



Ref Bco 1-3

BODY - FRONT

Where applicable, THE USE OF NON UL PARTS WILL VOID ANY UL LISTING.

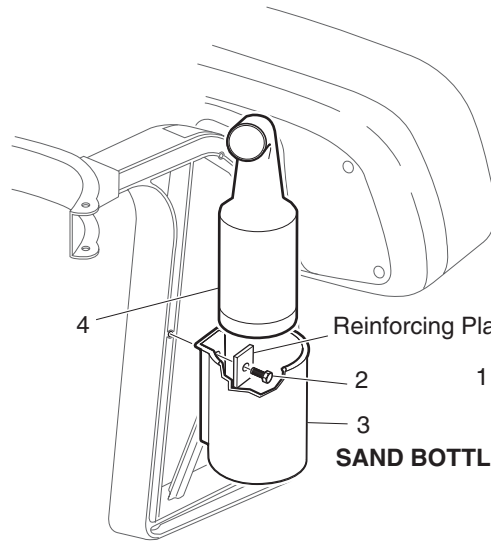
When ordering parts, please specify the model and serial number of the product.

* Indicates a component that is not available as an individual part.

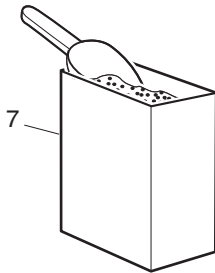
G** Indicates consult Customer Service Department for additional information.

ITEM	PART NO.	1 2 3 4 5	DESCRIPTION	QTY.
31	10570-G11		RIVET, 3/16" X 3/4" LG (STAINLESS STEEL)	2
32	71056-G01		BOLT, 5/16 - 18 X 5/8" LG	4
33	00570-G2		WASHER, 5/16.....	4
34	00438-G6		BOLT, 5/16 - 18 X 3/4" LG (WITH TOP)	2
35	00571-G2		WASHER, FLAT-TYPE-A	2
36				
37	71037-G02		E-Z-GO NAMEPLATE (GOLD).....	1
38	71597-G01		NUT, SELF-THREADING	2
39				
40	*		SERIAL NUMBER PLATE (EARLY PRODUCTION).....	1
41	*		EC PLATE (EARLY PRODUCTION)	1
42	01041-G01		RIVET, 1/8" X 13/16" LG	4
43				
44				
45	74239-G01		INSTRUMENT PANEL WOODGRAIN APPLIQUE KIT	1

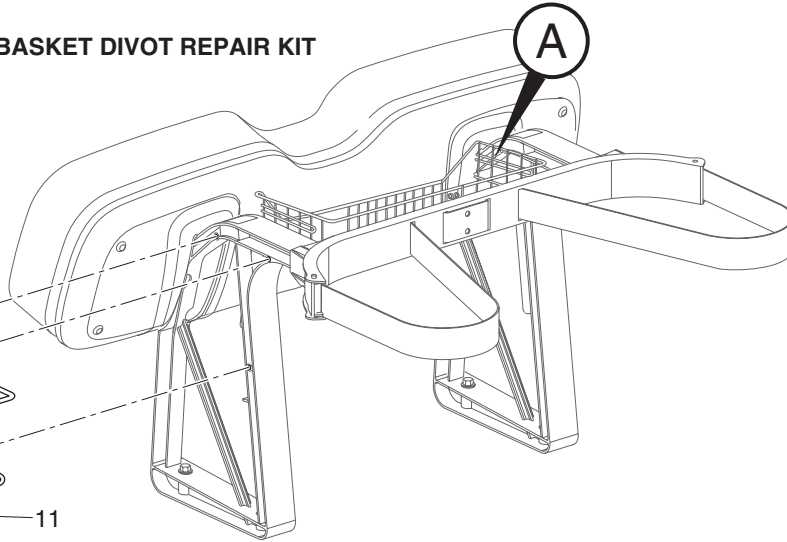
BODY - ACCESSORIES



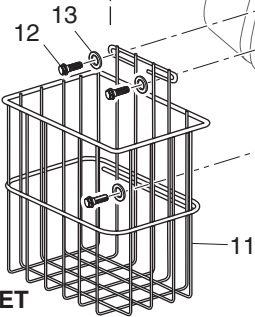
4 Reinforcing Plate (Part of holder)
 2 1 - Includes Items 2 - 4
 3
SAND BOTTLE DIVOT REPAIR KIT



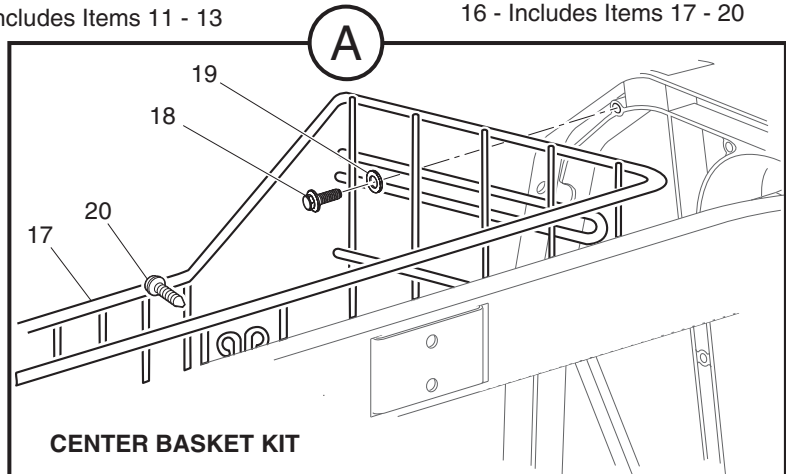
BASKET DIVOT REPAIR KIT



SIDE BASKET KIT



10 - Includes Items 11 - 13



CENTER BASKET KIT

16 - Includes Items 17 - 20

Ref Bod 2-5

BRAKES

Where applicable, THE USE OF NON UL PARTS WILL VOID ANY UL LISTING.

When ordering parts, please specify the model and serial number of the product.

* Indicates a component that is not available as an individual part.

G** Indicates consult Customer Service Department for additional information.

ITEM	PART NO.	1 2 3 4 5	DESCRIPTION	QTY.
30	10386-G3		CLEVIS PIN, 5/16" X 13/16" LG.....	1
31	10387-G3		COTTER PIN, 3/32" X 3/4" LG.....	3
32	14443-G2		CLEVIS PIN, 5/16" X 5/8" LG.....	2
33				
34	70601-G01		KICK-OFF LINK.....	1
35	17838-G1		NYLON BUSHING.....	2
36	20835-G1		TEFLON WASHER, 3/8".....	2
37	00559-G8		WASHER, 5/16".....	2
38	10387-G3		COTTER PIN, 3/32" X 3/4" LG.....	2
39	70098-G01		KICK-OFF CAM PIVOT.....	1
40	10097-G6		FLANGED BEARING.....	2
41	70587-G01		KICK-OFF CAM.....	1
42	71215-G01		SETSCREW, 1/4 - 20 X 1/2" LG.....	2
43	14134-G4		SPACER.....	1
44				
45	70113-G01		ADJUSTABLE BUMPER.....	1
46	11027-G1		LOCK NUT, 5/16 - 18.....	1
47				
48	70080-G02		CATCH BRACKET.....	1
49	00414-G6		BOLT, 1/4 - 20 X 3/4" LG.....	2
50	00891-G2		NUT, 1/4 - 20 NYLOCK.....	2
51				
52				
53	70690-G02		BRAKE PEDAL ASSEMBLY (WITH BRAKE LIGHTS) (INCLUDES ITEMS 54 - 79).....	1
54	*		BRAKE PEDAL.....	1
55	70611-G02		PARK BRAKE PEDAL.....	1
56	70274-G01		BRAKE/PARK BRAKE PEDAL PAD KIT (INCLUDES ITEMS 57 - 59).....	1
57	*		SERVICE BRAKE PAD.....	1
58	*		PARK BRAKE PAD.....	1

CLICK HERE TO **DOWNLOAD** THE COMPLETE MANUAL

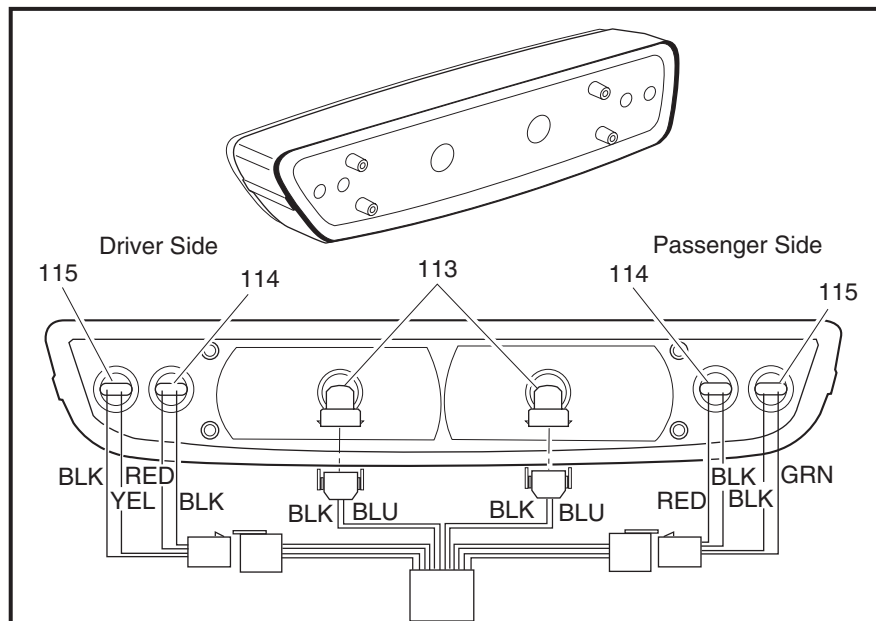
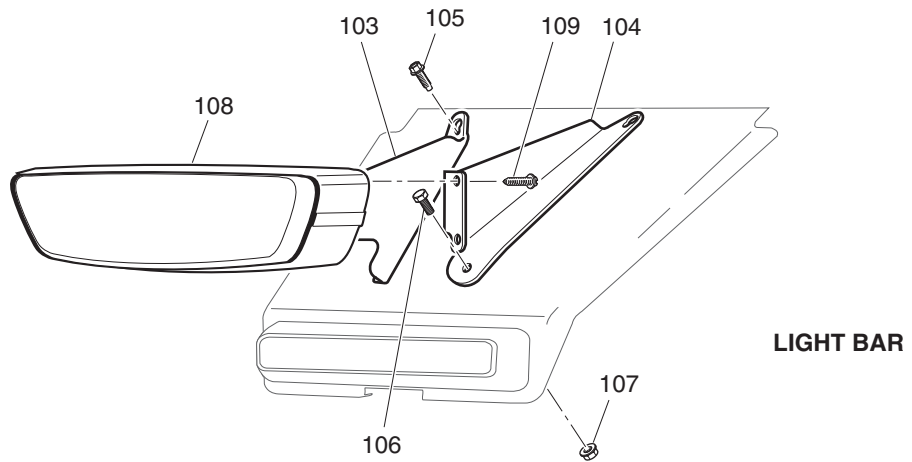
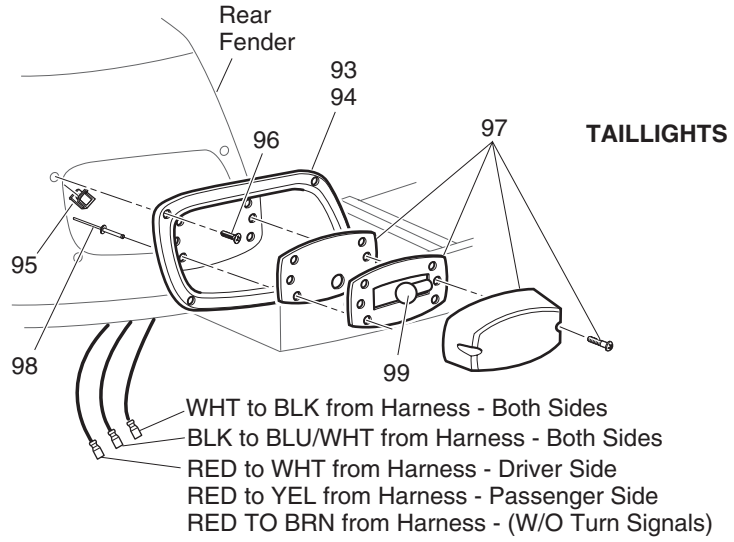
- Thank you very much for reading the preview of the manual.
- You can download the complete manual from: www.heydownloads.com by clicking the link below



- Please note: If there is no response to CLICKING the link, please download this PDF first and then click on it.

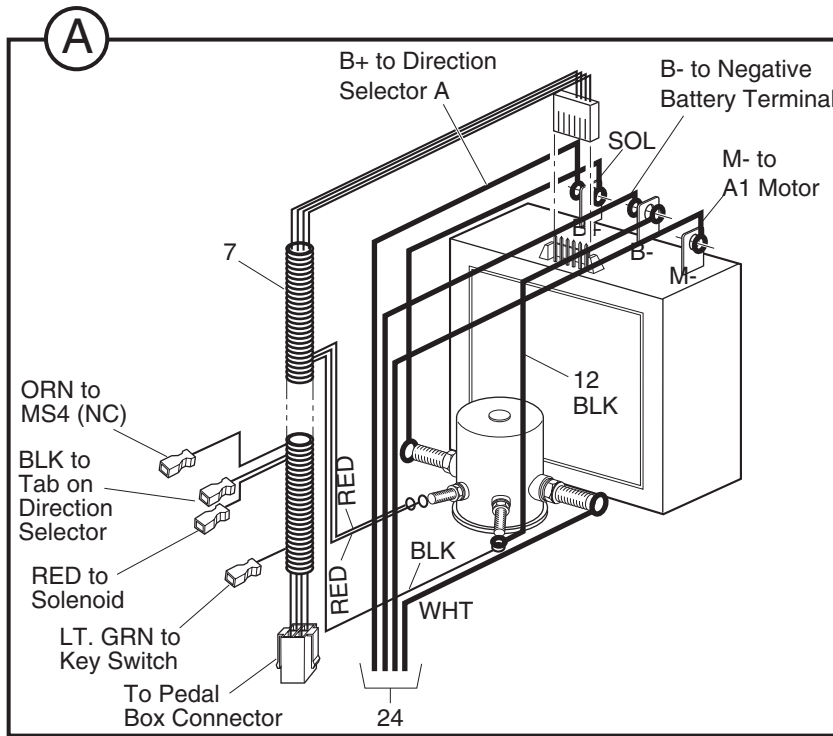
CLICK HERE TO **DOWNLOAD** THE COMPLETE MANUAL

ELECTRICAL SYSTEM - COMMON

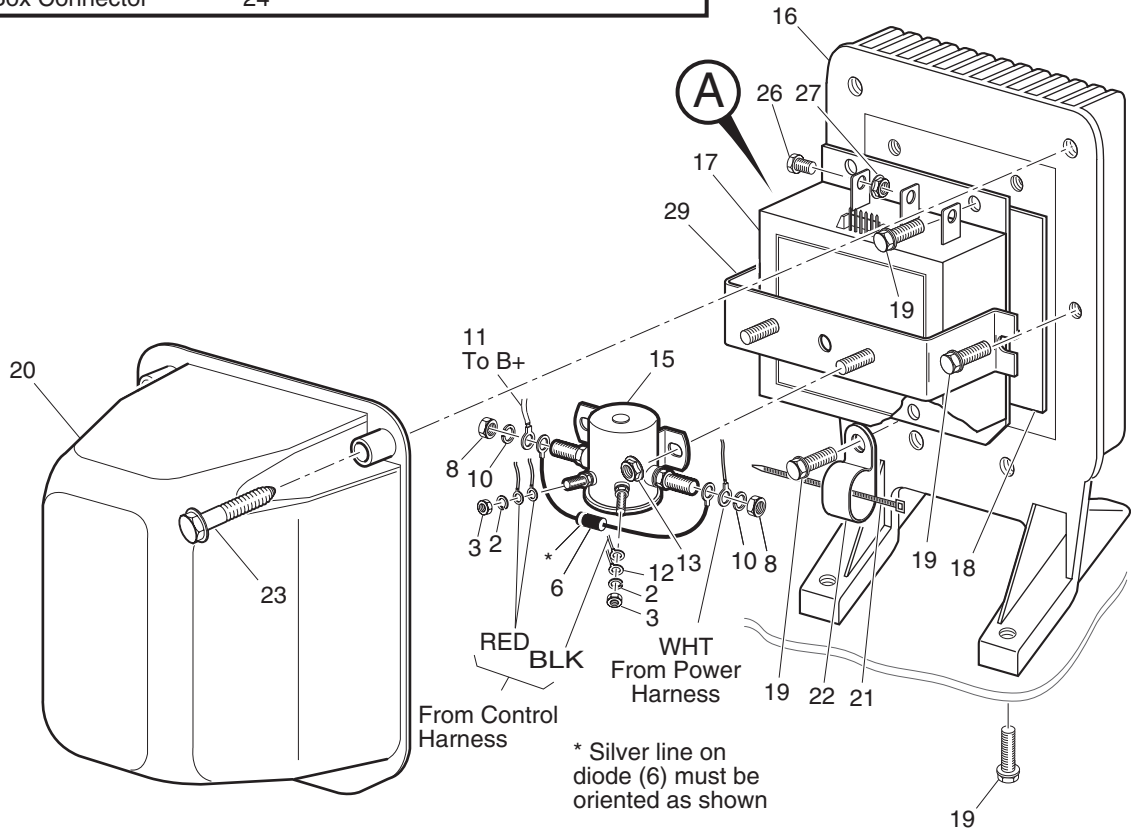


Ref Ele 1-3

ELECTRONIC SPEED CONTROL - SERIES



1 - Includes Items 2 - 29



Ref Esc 1-1

FRONT SUSPENSION/STEERING

Where applicable, THE USE OF NON UL PARTS WILL VOID ANY UL LISTING.

When ordering parts, please specify the model and serial number of the product.

* Indicates a component that is not available as an individual part.

G** Indicates consult Customer Service Department for additional information.

ITEM	PART NO.	1 2 3 4 5	DESCRIPTION	QTY.
1	602513		FRONT AXLE.....	1
2				
3	70942-G01		SPINDLE AND HUB ASSEMBLY, 4 LUG (PASSENGER SIDE) (INCLUDES ITEMS 4 - 10)	1
4	70942-G02		SPINDLE ASSEMBLY (PASSENGER SIDE)	1
5	25146-G1		GREASE SEAL.....	1
6	50892-G1		ROLLER BEARING AND RACE ASSEMBLY	2
7	70895-G01		WHEEL HUB ASSEMBLY WITH RACES, 4 LUG (INCLUDES ITEM 8)	1
8	19862-G1		LUG BOLT, 1/2 - 20 X 1 3/16" LG	4
9	12093-G1		CASTELLATED NUT, 1 - 14	1
10	00798-G8		COTTER PIN, 5/32" X 1 3/4" LG	1
11	12091-G2		SPINDLE CAP	2
12				
13				
14	70673-G01		SPINDLE AND HUB ASSEMBLY, 4 LUG (DRIVER SIDE) (INCLUDES ITEMS 5 - 10, 15)	1
15	70673-G02		SPINDLE ASSEMBLY (DRIVER SIDE).....	1
16				
17				
18	70943-G01		SPINDLE AND HUB ASSEMBLY, 5 LUG (PASSENGER SIDE) (INCLUDES ITEMS 19 - 25)	1
19	70942-G02		SPINDLE ASSEMBLY (PASSENGER SIDE)	1
20	12092-G1		GREASE SEAL.....	1
21	50892-G1		ROLLER BEARING AND RACE ASSEMBLY	2
22	70772-G01		WHEEL HUB ASSEMBLY WITH RACES, 5 LUG (INCLUDES ITEM 23)...	1
23	30143-G1		LUG BOLT, 1/2 - 20 X 1 7/32" LG	5
24	12093-G1		CASTELLATED NUT, 1 - 14	1
25	00798-G8		COTTER PIN, 5/32" X 1 3/4" LG	1
26				
27				
28				

SEATING - CONVERTIBLE CARRIER

Where applicable, THE USE OF NON UL PARTS WILL VOID ANY UL LISTING.

When ordering parts, please specify the model and serial number of the product.

* Indicates a component that is not available as an individual part.

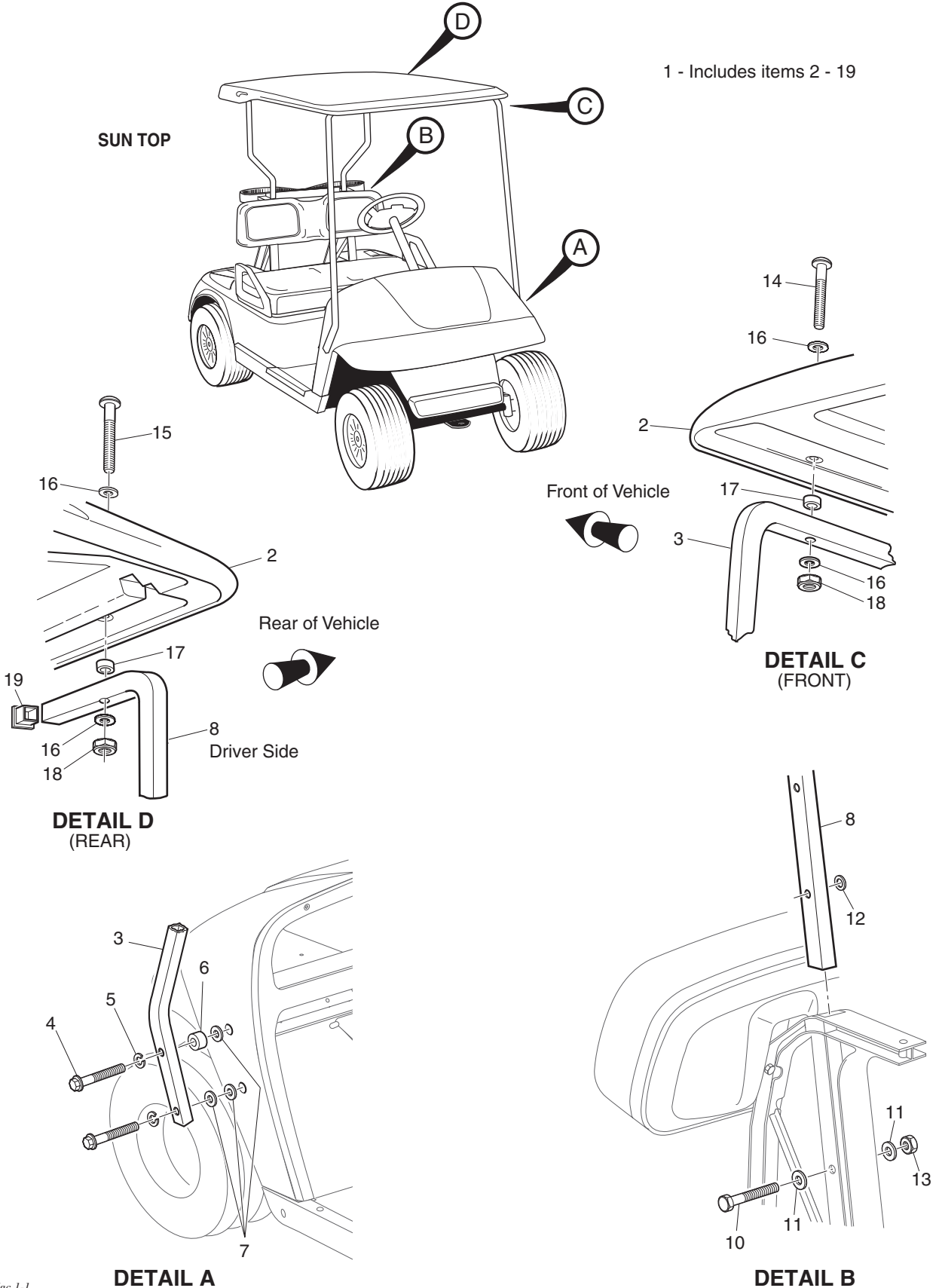
G** Indicates consult Customer Service Department for additional information.

ITEM	PART NO.	1	2	3	4	5	DESCRIPTION	QTY.	
1	71611-G**	SEAT BOTTOM ASSEMBLY (INCLUDES ITEMS 2 - 4)							1
2	71602-G**	VINYL SEAT BOTTOM COVER							1
3	71012-G01	VINYL TRIM (SEAT BOTTOM)							1
4	17074-G1	RUBBER PAD							2
5									
6									
7	71701-G01	HIP RESTRAINT (PASSENGER SIDE)							1
8	71702-G01	HIP RESTRAINT (DRIVER SIDE)							1
9	71204-G01	BOLT, 1/4 - 20 X 7/8" LG							8
10									
11									
12	71610-G01	SEAT HINGE							2
13	00720-G08	SCREW, #12 - 14 X 1" LG (STAINLESS STEEL)							4
14									
15									
16	71751-G**	SEAT BACK ASSEMBLY (INCLUDES ITEMS 17 - 19)							1
17	71753-G**	VINYL SEAT BACK COVER							1
18	71752-G01	PLASTIC SEAT BACK COVER							1
19	01107-G01	SCREW, #8 X 5/8" LG (STAINLESS STEEL)							4
20									
21									
22	70364-G01	SPACER							2
23	74111-G01	SEAT BACK SUPPORT							2
24	01006-G02	BOLT, 3/8 - 16 X 1 1/2" LG							4
25	00560-G1	WASHER, 3/8"							4
26	70113-G01	ADJUSTABLE BUMPER							2
27	11027-G1	LOCK NUT, 5/16 - 18							2
28									
29	00661-G8	BOLT, 1/4 - 20 X 1" LG (STAINLESS STEEL)							4
30	00664-G7	LOCK WASHER, 1/4" (STAINLESS STEEL)							4

WEATHER PROTECTION - GOLF CAR

SUN TOP

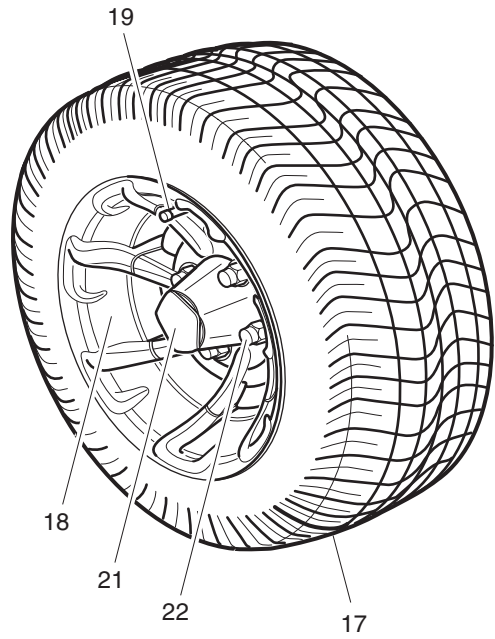
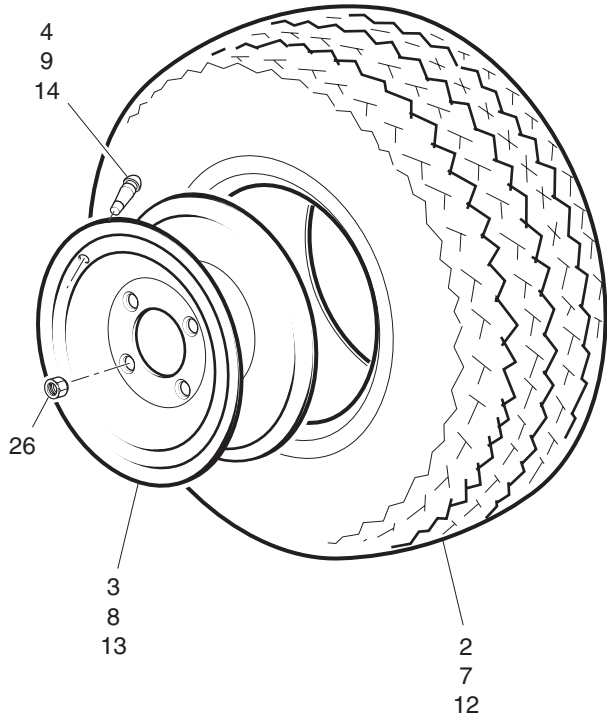
1 - Includes items 2 - 19



Ref Wgc 1-1

WHEELS AND TIRES

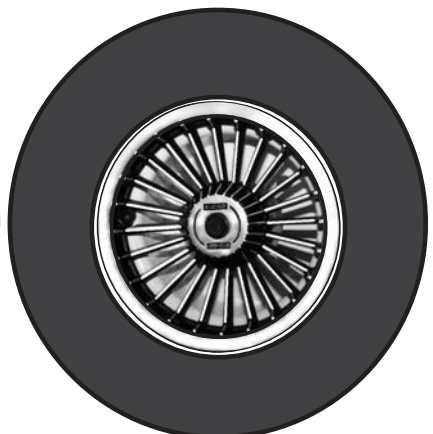
- 1 - Includes Items 2 - 4
- 6 - Includes Items 7 - 9
- 11 - Includes Items 12 - 14
- 16 - Includes Items 17 - 19



6" CHROME HUBCAP
28



8" CHROME HUBCAP
30



SILVER / GOLD SPOKE HUBCAP
32, 34

CLICK HERE TO **DOWNLOAD** THE COMPLETE MANUAL

- Thank you very much for reading the preview of the manual.
- You can download the complete manual from: www.heydownloads.com by clicking the link below



- Please note: If there is no response to CLICKING the link, please download this PDF first and then click on it.

CLICK HERE TO **DOWNLOAD** THE COMPLETE MANUAL