

Dell® Latitude® XPi CD

SERVICE MANUAL



CLICK HERE TO **DOWNLOAD** THE COMPLETE MANUAL

- Thank you very much for reading the preview of the manual.
- You can download the complete manual from: www.heydownloads.com by clicking the link below



- Please note: If there is no response to CLICKING the link, please download this PDF first and then click on it.

CLICK HERE TO **DOWNLOAD** THE COMPLETE MANUAL

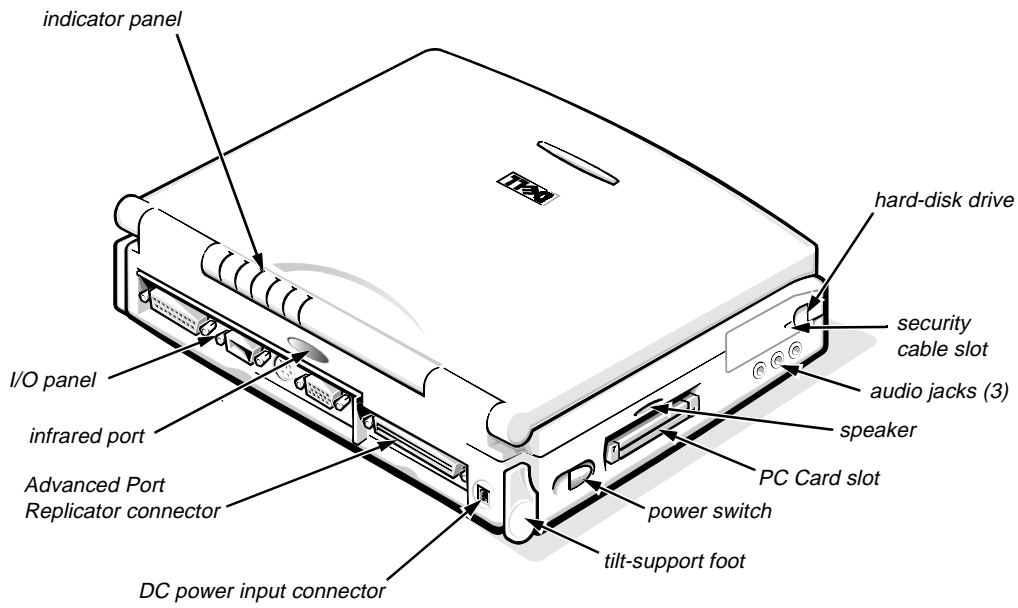


Figure 1-2. Back View of the Notebook Computer

Indicator Panel

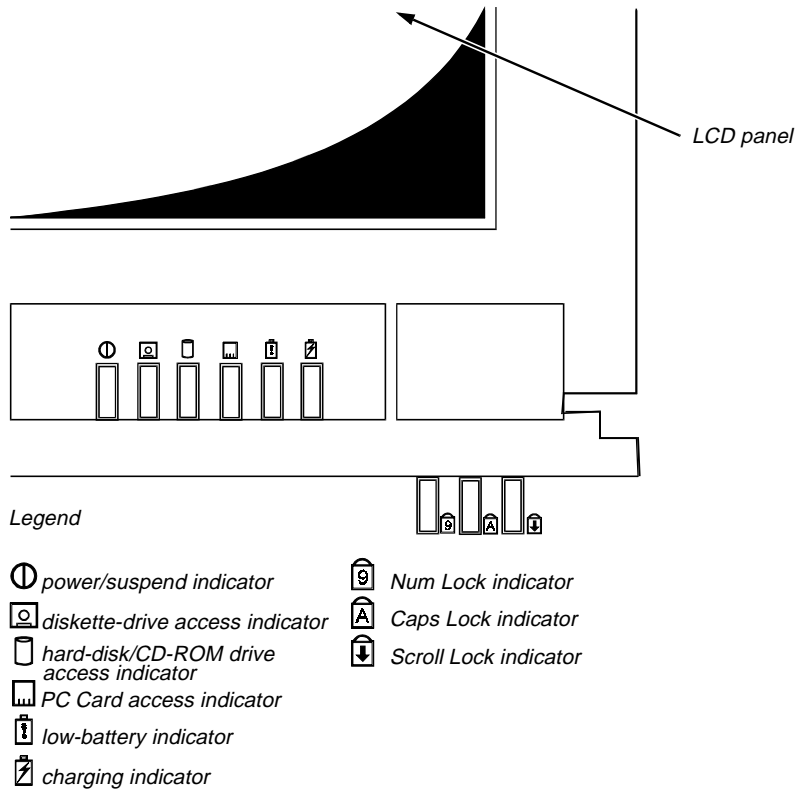


Figure 1-3. Indicator Panel

Table 1-2. Technical Specifications (Continued)

Environmental (Continued)

Maximum shock:⁴

Operating	152.4 cm/sec (60 inches/sec) (less than or equal to a pulse width of 2 ms)
Storage	203.2 cm/sec (80 inches/sec) (less than or equal to a pulse width of 2 ms)

Altitude (maximum):

Operating	3048 m (10,000 ft)
Storage	10,600 m (35,000 ft)

⁴ Measured with the hard-disk drive in head-parked position.

Table 3-1. POST Beep Codes (Continued)

Beep Code	Error	Probable Causes
5-1-1	System power-management interrupt initialization failure	System board faulty
5-1-2	BIOS shadowing failure	
5-1-3	Video BIOS shadowing failure	
5-2-1	Keyboard controller download failure	
5-2-2	CPU stepping failure	
5-2-3	System board failure	
5-2-4	Setup decompression and shadowing failure	

System Error Messages

The following table lists (in alphabetical order) system error messages that may appear on the display during the boot routine or during normal computer operation.

Table 3-2. System Error Messages

Message	Definition	Probable Causes
Auxiliary device failure	Integrated trackball or external PS/2 mouse failed.	Integrated trackball or external PS/2 mouse faulty.
Bad command or File Name	Command entered does not exist or is not in pathname specified.	Bad command or filename entered.
Cache disabled due to failure	Microprocessor's internal cache memory failed.	System board faulty.
Data error	Diskette or hard-disk drive cannot read the data.	Faulty diskette/tape drive subsystem or hard-disk drive subsystem.

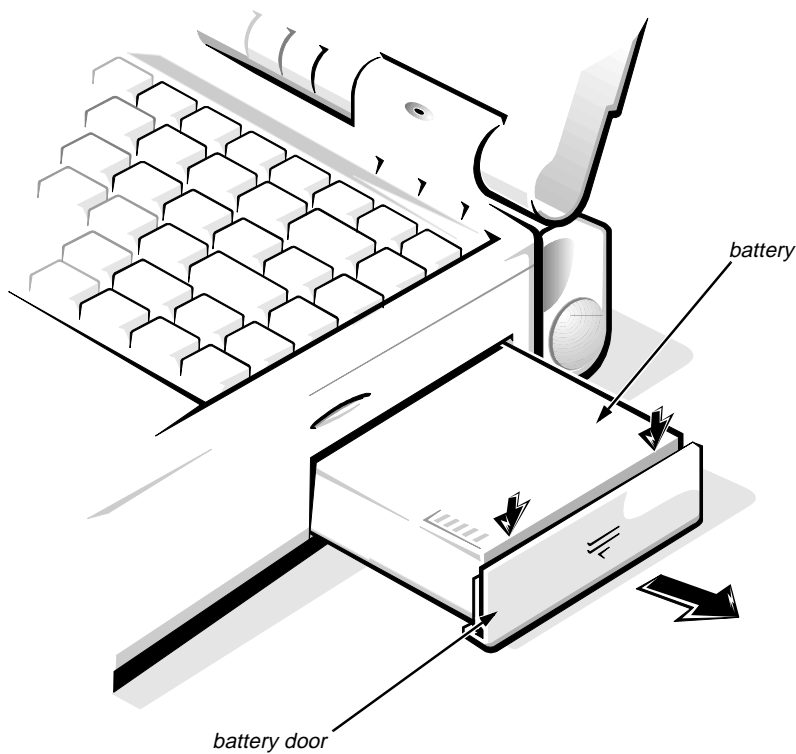


Figure 4-2. Main Battery Assembly Removal

Part or Assembly Name	Order Name
Main battery assembly	CUS,BTRY,SAR,36WHR,LXP

- To avoid possible damage to the computer from ESD, ground yourself by attaching a wrist grounding strap to yourself and an unpainted metal surface on the I/O panel.**

If a wrist grounding strap is not available, you can discharge static electricity from your body by periodically touching the unpainted metal surface of the I/O panel.

Trackball Assembly

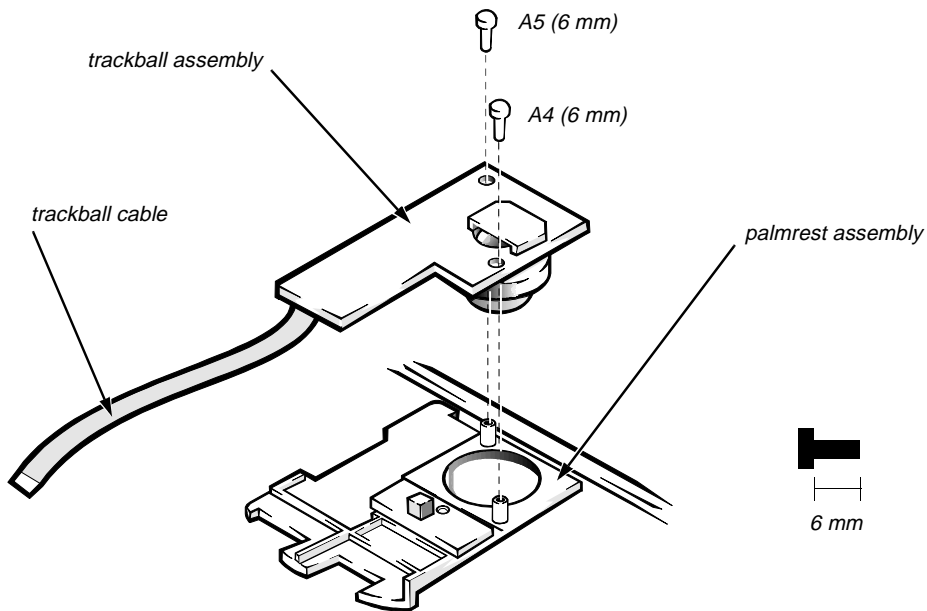


Figure 4-11. Trackball Assembly Removal

Part or Assembly Name	Order Name
Optical trackball assembly	SVC,ASSY,TBALL/SWT,LXPI+

To remove the trackball assembly, follow these steps:

- 1. Remove the palmrest assembly.**
- 2. Turn the palmrest assembly upside down on a flat work surface.**
- 3. Remove screws A4 and A5.**
- 4. Lift the trackball assembly out of the palmrest assembly.**

NOTE: It is not necessary to remove the trackball button board when removing the trackball assembly.

CLICK HERE TO **DOWNLOAD** THE COMPLETE MANUAL

- Thank you very much for reading the preview of the manual.
- You can download the complete manual from: www.heydownloads.com by clicking the link below



- Please note: If there is no response to CLICKING the link, please download this PDF first and then click on it.

CLICK HERE TO **DOWNLOAD** THE COMPLETE MANUAL

To remove the LCD panel, follow these steps:

- 1. Remove the display assembly bezel.**
- 2. Lift the lower edge of the LCD panel about 1 inch.**
- 3. Disconnect the LCD-assembly power cable from connector CN2 on the LCD inverter board.**
- 4. Lift the lower edge of the LCD panel approximately 3 inches.**
- 5. Disconnect the display-assembly interface cable from the LCD interface connector on the underside of the LCD panel.**
- 6. Lift the LCD panel out of the display assembly case.**

Deck Buoy

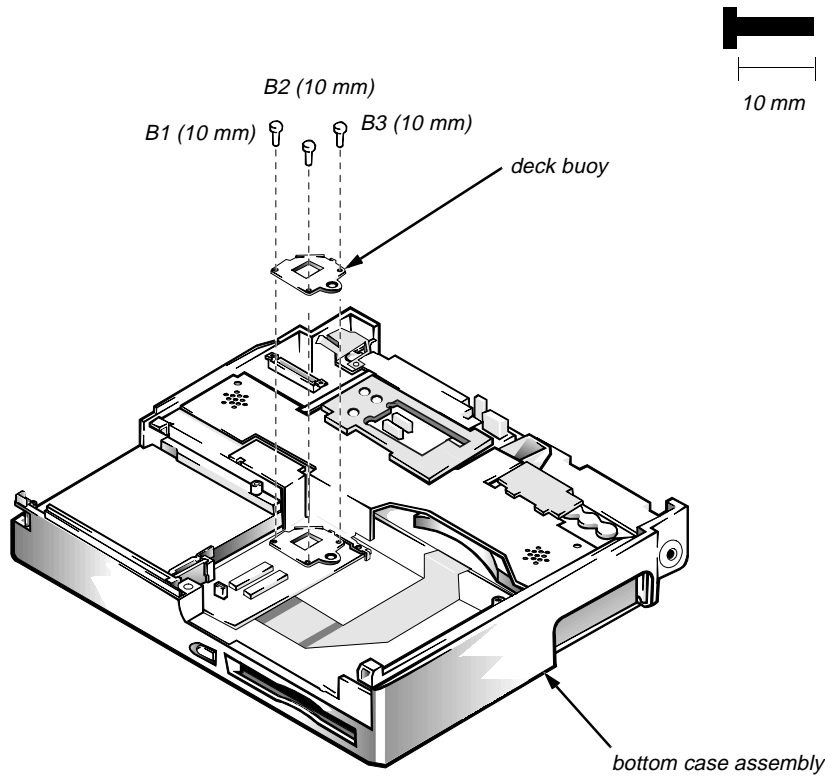


Figure 4-24. Deck Buoy Removal

Part or Assembly Name	Order Name
Deck buoy	ASSY,CLMP,THRM,LXPiCD

To remove the deck buoy, follow these steps:

- 1. Remove the palmrest assembly.**
- 2. Remove the display assembly.**
- 3. Remove the diskette/CD-ROM assembly.**
- 4. Remove screws B1, B2, and B3.**

Lift the deck buoy out of the bottom case assembly.

Advanced Port Replicator Connector Dust Cover

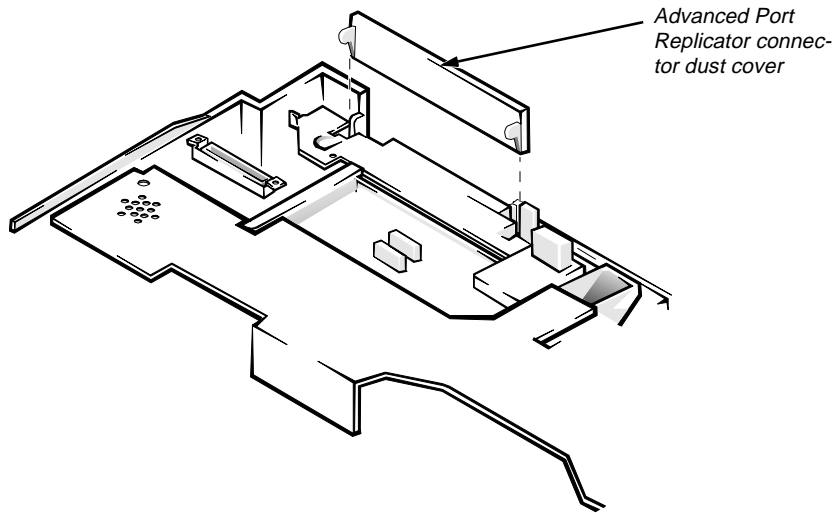


Figure 4-31. Advanced Port Replicator Connector Dust Cover

Part or Assembly Name	Order Name
Advanced Port Replicator connector dust cover	CVR,DOOR,DOCKING,LXP

To remove the dust cover for the Advanced Port Replicator connector, follow these steps:

- 1. Remove the palmrest assembly.**
- 2. Remove the display assembly.**
- 3. Remove the dust cover.**

Table A-1. Factory Repair Parts and Assemblies (Continued)

Part or Assembly Name	Order Name	Figure
Miscellaneous Parts (Continued)		
Keel plate	ASSY,PLT,KEEL,LXPiCD	A-12
Deck buoy	ASSY,CLMP,THRM,LXPiCD	4-24
Microphone insulator bracket	INSUL,PLSTC,MIPHN/ SWT,LXPiCD	
Bottom case assembly	CVR,BTM,BLK,LXPi	4-22
Power button	BTN,PWR SWT,LXP	A-11
Power-button mounting bracket	GDE,PWR SWT,PLSTC,LXPi	A-11
Memory compartment cover	CVR,MEM,LXPi+CD	4-5
Palmrest Assembly		
Palmrest service kit	SVC,ASSY,PLMRST, LXPi+CD	
Palmrest assembly	SUBASSY,PLMRST,LXPi+CD	4-9
Technical booklet	DOC,SERV,GUIDE,LXPiCD	
Screws		
Screws service kit	SVC,SCR,LXP	
3 mm, black	SCR,2mmX3mm,PHH,MS, BLO,LXP B2	
3 mm, gold	SCR,2mmX3mm,PHH,MS, NON,LXP B8	
4 mm, black	SCR,2.6mmX4mm,PHH,MS, BLO,LXPB7	
5 mm, black	SCR,2.6mmX5mm,PHH,MS, BLO,LXPB3	
5 mm, gold	SCR,2.6mmX5mm,PHH,MS, NON,LXP B8	

Display Assembly Hinges

To remove a hinge (see Figure 4-14), follow these steps:

- 1. Remove the display assembly from the computer.**
See “Display Assembly” in Chapter 4.
- 2. Remove the display assembly bezel.**
See “Display Assembly Bezel” in Chapter 4.
- 3. Remove the LCD assembly.**
See “LCD Panel” in Chapter 4.
- 4. Remove the display-assembly interface cable.**
See “Display-Assembly Interface Cable” in Chapter 4.
- 5. Remove the hinge covers.**
See “Hinge Covers” in Chapter 4.
- 6. Remove the display assembly base.**
See the previous subsection, “Display Assembly Base.”
- 7. Rotate the display assembly hinges so that they point away from the display assembly case at approximately 180 degrees.**
- 8. To remove the hinge, remove the screw securing the hinge to the display assembly case and disengage the hinge from the display assembly case.**

Appendix B

System Setup Options

You may want to customize the configuration of your computer. This appendix describes how to change the system setup options stored in NVRAM on the system board.

You can access these options in two ways:

- Using the Dell Control Center
- Using the MS-DOS–based version of the system setup options, called the System Setup program

Accessing the Dell Control Center

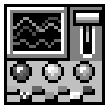


Figure B-1. Dell Control Center Icon

To access system setup options, double-click the Dell Control Center icon in the Dell Accessories program group in Windows.

Each button in the Dell Control Center window corresponds to a particular group of system setup options. The Dell Control Center has a detailed help file that explains each setup option.

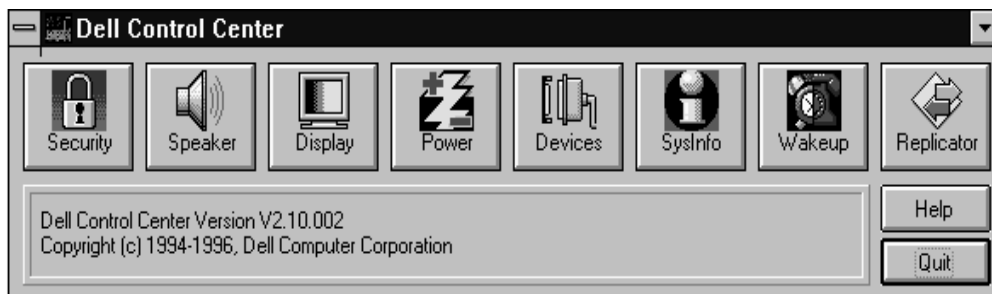


Figure B-2. Dell Control Center Window

CLICK HERE TO **DOWNLOAD** THE COMPLETE MANUAL

- Thank you very much for reading the preview of the manual.
- You can download the complete manual from: www.heydownloads.com by clicking the link below



- Please note: If there is no response to CLICKING the link, please download this PDF first and then click on it.

CLICK HERE TO **DOWNLOAD** THE COMPLETE MANUAL