

Parts Book

SKID STEER LOADER 440Plus

EM0AK-00001~UP

(THIS PARTS BOOK IS FOR REFERENCE ONLY.
PART NUMBERS AND SERIAL NUMBERS MAY BE
OUT DATED. ALWAYS USE THE ONLINE PARTS SYSTEM)

CLICK HERE TO **DOWNLOAD** THE COMPLETE MANUAL

- Thank you very much for reading the preview of the manual.
- You can download the complete manual from: www.heydownloads.com by clicking the link below



- Please note: If there is no response to CLICKING the link, please download this PDF first and then click on it.

CLICK HERE TO **DOWNLOAD** THE COMPLETE MANUAL

FORORD

DANISH

1. APPLIKATION

Denne reservedelsbog viser alle de reservedele, der kan leveres til *DOOSAN* glidestyrelader (letterlijk vertaling, de Denen zullen dit woord hoogstwaarschijnlijk niet begrijpen) model 440Plus. Den indeholder chassis, mast, tilbehør og ekstra udstyr.

2. MASKIN IDENTIFIKATION

glidestyrelader (letterlijk vertaling, de Denen zullen dit woord hoogstwaarschijnlijk niet begrijpen) er identificeret med et model og serienummer. Disse numre er vist på maskinens identifikationsplade, der er anbragt på en fremtræden plads på trucken, typisk på instrument panelet eller motorkappen. Hvis identifikationspladen er fjernet, eller hvis numrene der er stemplet i pladen ikke kan læses, så fremgår modelnummeret af maskinens mærkning på motorkappen og maskinen serienummer er stemplet i chassiset. *DOOSAN* forhandleren behøver disse numre for at kunne afgøre hvilken komponenter maskinen bestod af fra fabrikken.

3. BESTILLING AF RESERVEDELE

Følgende information er nødvendige ved bestilling af reservedele :

1. Reservedelens nummer og betegnelse
2. Det ønskede antal
3. maskinens model og serie nummer

Er der tvivl om nummeret på den ønskede reservedele, så giv en udførlig beskrivelse af delen til Deres forhandler.

4. HVORDAN BENYTTES KATALOGET

Reservedelskataloget består af illustrationer af de grupper (og undergrupper) som maskinen er sammensat af. Illustrationerne viser standard komponenter og ekstraudstyr for hver maskine.

Under hver illustration identificeres gruppen ved reservedelsnummer og navn. Gruppens reservedelsnummer er reference for den komplette gruppe. I forbindelse med de enkelte illustrationer er en liste der identificere alle de reservedele der kan leveres til den enkelte gruppe. Hvis reservedelsbetegnelsen i denne liste står indrykket betyder det at delene også indgår i den reservedel der som seneste komponent stod længst til venstre.

5. FORBEHOLD FOR ÆNDRING AF MASKINEN

Løbende forbedringer, andre fremstillingsmetoder og ændret design kan betyder at denne bog ikke svarer nøjagtig til den oprindelige maskine.

6. FORKORTELSER

O.D.	Udvendig diameter	G	Leveres i eng tommer
I.D.	Indvendig diameter	I	Se guide for slangefabrikation
A	Ikke indeholdt i denne gruppe	K	Se mastarrangement
B	Antal efter behov	M	Metrisk del
C	Identificerer en ændring	R	Ombytningsdel er muligvis tilgængelig
D	Leveres i meter	X	Væsentlig forandring af komponent
E	Leveres i centimeter	Y	Separat illustration
F	Ikke illustreret	Z	Leveres ikke som separat reservedele, men kun som del af en gruppe.

(THIS PARTS BOOK IS FOR REFERENCE ONLY.
PART NUMBERS AND SERIAL NUMBERS MAY BE
OUT DATED. ALWAYS USE THE ONLINE PARTS SYSTEM)

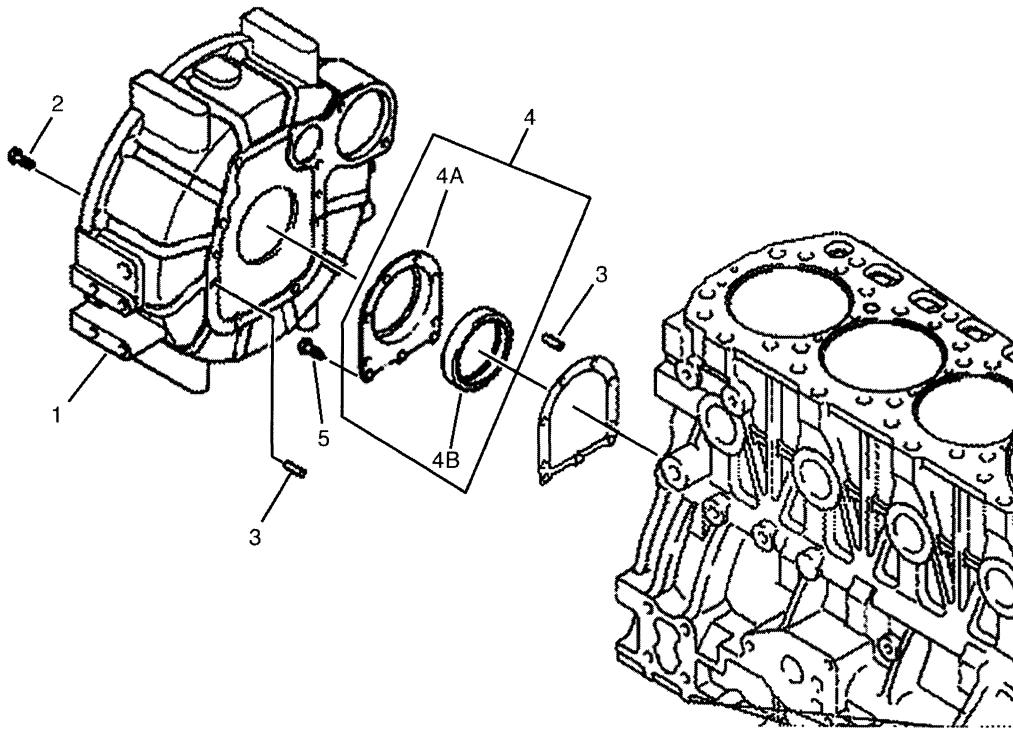
QUICK REFERENCE GUIDE TO MAJOR SECTIONS

BASIC ENGINE	1
LUBRICATION SYSTEM	2
COOLING SYSTEM	3
AIR INLET & EXHAUST SYSTEM	4
FUEL SYSTEM	5
ELECTRICAL SYSTEM	6
POWER TRAIN	7
BRAKE SYSTEM	8
FRAME AND BODY	9
OPERATOR STATION	10
CONTROL SYSTEM	11
HYDRAULIC SYSTEM	12
IMPLEMENTS	13
SERVICE EQUIPMENT AND SUPPLIES	14
OPTION SYSTEM	15
OPTION SYSTEM - FOR CE & ITALY	16
OPTION SYSTEM - FOR JOY STICK	17

(THIS PARTS BOOK IS FOR REFERENCE ONLY.
PART NUMBERS AND SERIAL NUMBERS MAY BE
OUT DATED. ALWAYS USE THE ONLINE PARTS SYSTEM

1.09

BASIC ENGINE



NOTE	REF NO	PART NUMBER	QTY	PART NAME	NOTE	REF NO	PART NUMBER	QTY	PART NAME
Z	1	A293327	1	HOUSING ; FLYWHEEL					
	2	A293328	10	SCREW					
	3	A293329	4	PIN ; GUIDE					
	4	A293330	1	SEAL ; OIL					
	4A	A293331	1	CARRIER ; SEAL					
	4B	A293332	1	SEAL ; OIL					
	5	A293292	9	SCREW					

Z - NOT SERVICED SEPARATELY

A293326 FLYWHEEL HOUSING

(THIS PARTS BOOK IS FOR REFERENCE ONLY.
 PART NUMBERS AND SERIAL NUMBERS MAY BE
 OUT DATED. ALWAYS USE THE ONLINE PARTS SYSTEM)

1.17

BASIC ENGINE

NOTE	REF NO	PART NUMBER	QTY	PART NAME	NOTE	REF NO	PART NUMBER	QTY	PART NAME
	1	A293459	1	PAN ; OIL					
	2	A293460	1	MAGNET					
	3	A293461	1	PLUG ; THREADED					
	4	A293380	1	SEAL ; O RING					
	5	A293379	4	SCREW					
	6	A293464	2	SCREW					
	7	A293465	1	GASKET					
	8	A293466	1	TUBE ; LUB OIL SUCTION					
	9	A293467	2	SCREW					
	10	A293468	1	SCREW					
	11	A293469	1	ADAPTER ; OIL PAN					
	12	A293470	2	SCREW					
	13	A293471	22	SCREW					

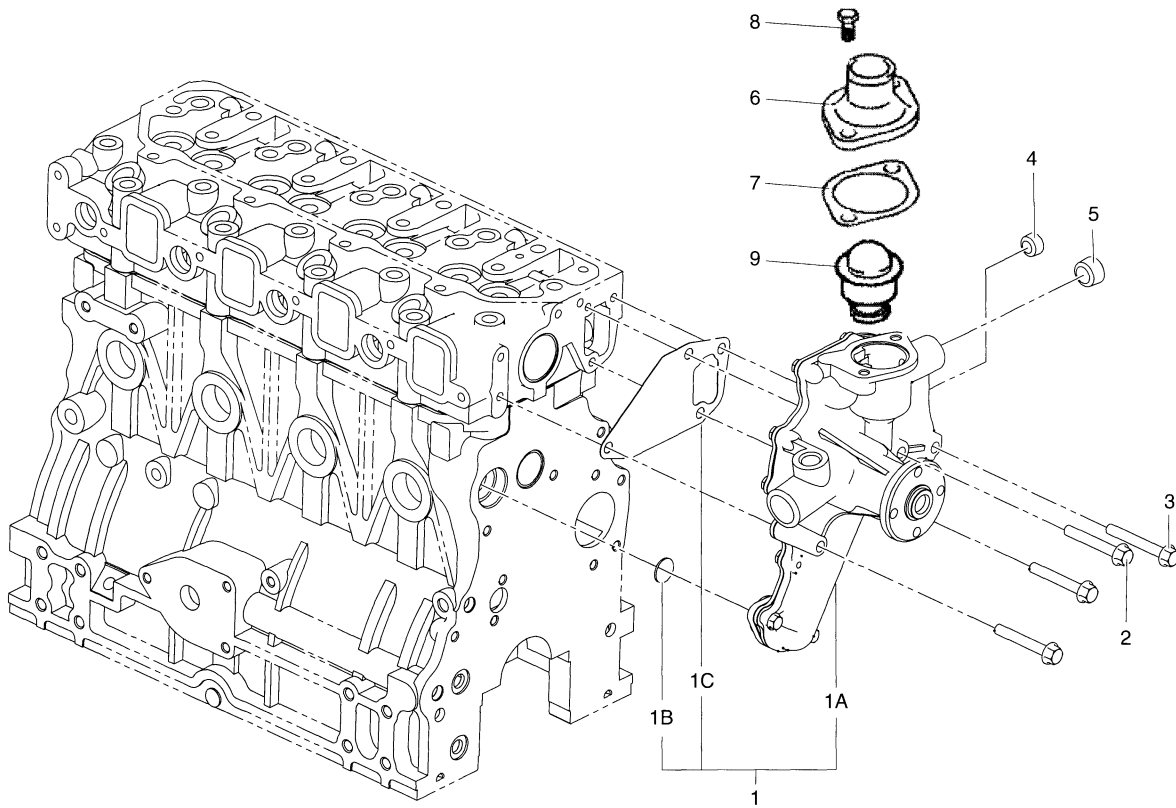
A293458 OIL PAN

(THIS PARTS BOOK IS FOR REFERENCE ONLY.
 PART NUMBERS AND SERIAL NUMBERS MAY BE
 OUT DATED. ALWAYS USE THE ONLINE PARTS SYSTEM)

3.02

COOLING SYSTEM

3

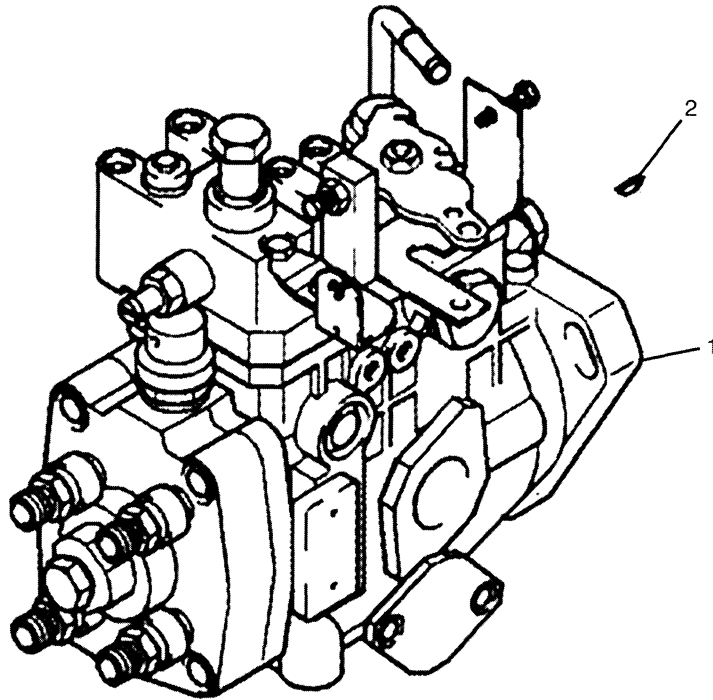


NOTE	REF NO	PART NUMBER	QTY	PART NAME	NOTE	REF NO	PART NUMBER	QTY	PART NAME
	1	A298022	1	KIT ; WATER PUMP					
Z	1A	A298023	1	PUMP ; WATER					
	1B	A298024	1	SEAL ; O-RING					
	1C	A298025	1	GASKET ; WATER PUMP					
	2	A298026	3	SCREW					
	3	A293383	1	SCREW					
	4	A298028	3	PLUG ; PIPE					
	5	A298029	1	PLUG ; PIPE					
	6	A298018	1	CONNECTION ; WATER OUTLET					
	7	A298169	1	GASKET ; WATER PUMP					
	8	A298020	2	SCREW					
	9	A293296	1	THERMOSTAT					

Z - NOT SERVICED SEPARATELY

A298017 WATER OUTLET CONNECTION
A298021 WATER PUMP
A293295 THERMOSTAT

(THIS PARTS BOOK IS FOR REFERENCE ONLY.
 PART NUMBERS AND SERIAL NUMBERS MAY BE
 OUT DATED. ALWAYS USE THE ONLINE PARTS SYSTEM)



5

NOTE	REF NO	PART NUMBER	QTY	PART NAME	NOTE	REF NO	PART NUMBER	QTY	PART NAME
	1	A293335	1	PUMP ; FUEL INJECTION					
	2	A293336	1	KEY ; PLAIN WOODRUFF					

A293334 FUEL INJECTION PUMP

(THIS PARTS BOOK IS FOR REFERENCE ONLY.
 PART NUMBERS AND SERIAL NUMBERS MAY BE
 OUT DATED. ALWAYS USE THE ONLINE PARTS SYSTEM)

6.04

ELECTRICAL SYSTEM

NOTE	REF NO	PART NUMBER	QTY	PART NAME	NOTE	REF NO	PART NUMBER	QTY	PART NAME
C1	1	D424638	1	HARNESS AS-E/G					
	2	D424015	1	HARNESS AS-CANOPY					
	-	D425581	1	HARNESS AS-CANOPY (AK-1165~UP)					
		D544049	1	DIODE					
		A214108	1	FUSE(5A)					
		A124008	1	FUSE(10A)					
		D544005	4	FUSE(15A)					
		D544082	1	FUSE(30A)					
	3	D560031	3	LAMP AS					
		A214240	1	BULB-HALOGEN					
	4	D187477	8	RELAY AS-SEALED					
	5	S0504463	13	BOLT					
	6	D540350	1	CONTROL UNIT AS					
	7	S0511463	2	BOLT					
	8	D419747	2	CLIP					
	9	A324003	1	RELAY AS-PREHEAT					
	10	D424539	1	COVER					
	11	D424072	1	PLATE-HOUSING					
	12	D419751	1	CLIP					
	13	D423240	1	FILM					
	14	D560094	3	CLIP					
	15	D917216	3	WASHER-					
	16	D424536	1	BRACKET AS.					
	17	S4016241	4	NUT					
	18	D917170	8	WASHER					
	19	A211480	1	BOLT-KNOB					
	20	D560089	2	CLIP					
	21	S0504663	2	BOLT					
22	S3450853	6	SCREW						
23	S5000213	10	WASHER						
24	D424039	1	BRACKET-FUSE BOX MTG.						
25	S0508863	2	BOLT						
26	D917092	2	WASHER						
27	D424924	1	SWITCH AS-TEMPERATURE						
28	A114004	1	HARNESS AS-PUMP						

C1 - NOT INTERCHANGEABLE-CHANGED
 THE DATA IN "()" MEANS SERIAL NUMBER INFORMATION

D424637 WIRING GP

(THIS PARTS BOOK IS FOR REFERENCE ONLY.
 PART NUMBERS AND SERIAL NUMBERS MAY BE
 OUT DATED. ALWAYS USE THE ONLINE PARTS SYSTEM)

8.02

BRAKE SYSTEM

NOTE	REF NO	PART NUMBER	QTY	PART NAME	NOTE	REF NO	PART NUMBER	QTY	PART NAME
Y	1	D421868	1	BRAKE ASS'Y(L.H.)		47	S5000213	4	WASHER : HARD
Y	2	D421874	1	BRAKE ASS'Y(R.H.)		48	D131098	1	YOKE
	3	S0521463	6	BOLT		49	D150128	1	ROD
	4	D917097	2	WASHER		50	S8180251	6	SEAL RING
	5	D419745	2	SPACER		51	D917216	2	WASHER
	6	S180333H	2	PIN : COTTER		52	S3450823	4	SCREW
	7	S4014933	6	NUT		53	D424004	1	SPACER
	9	D410355	1	FITTING : GREASE		54	D917096	1	WASHER
	10	D411555	1	CAP : RUBBER					
	11	D416506	1	ROD					
	12	D424500	1	BELLCRANK ASS'Y					
C1	-	D425914	1	BELLCRANK ASS'Y (AK-1181~UP)					
	14	D424003	1	BRACKET : SWITCH					
C1	-	D416779	1	LINK					
			1	LINK (AK-1181~UP)					
	16	S0504563	2	BOLT					
	17	D416088	1	BLOCK					
	18	D416510	1	SPRING					
	19	D430607	2	BUSHING					
	20	D421146	1	CABLE ASS'Y					
	21	D416795	1	CABLE ASS'Y(L.H.)					
	22	D421876	1	CABLE ASS'Y(R.H.)					
	23	D154023	1	BALL JOINT					
C1	-	D416095	2	BEARING : SPHERICAL					
			2	BEARING : SPHERICAL (AK-1181~UP)					
	25	D416789	2	SPRING					
	26	S4032633	2	NUT					
	27	D666207	1	KNOB					
	28	D416437	2	CLAMP					
	29	D416798	2	BOLCK					
	30	D913021	9	NUT					
	31	D917092	7	WASHER : HARD					
	32	S0504863	3	BOLT					
	33	S5760212	4	PIN : CLEVIS					
	34	S4032733	2	NUT					
	35	D423941	1	SWITCH					
	36	D913045	1	NUT					
	37	D410950	1	JOINT : BALL					
	38	D421438	1	ROD ASS'Y					
	39	S6540500	1	RING : RETAINING					
C1	-	S6540800	1	RING : RETAINING (AK-1181~UP)					
	40	D150419	1	YOKE					
	41	S6541500	1	RING : RETAINING					
	42	D416421	1	GUIDE					
	43	S4016333	6	NUT					
	44	S2204461	4	BOLT					
	45	D917022	7	WASHER : HARD					
	46	D416435	1	SPRING					

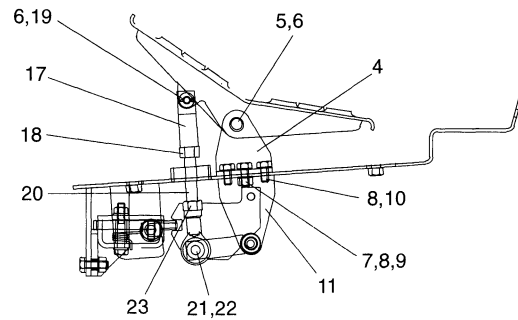
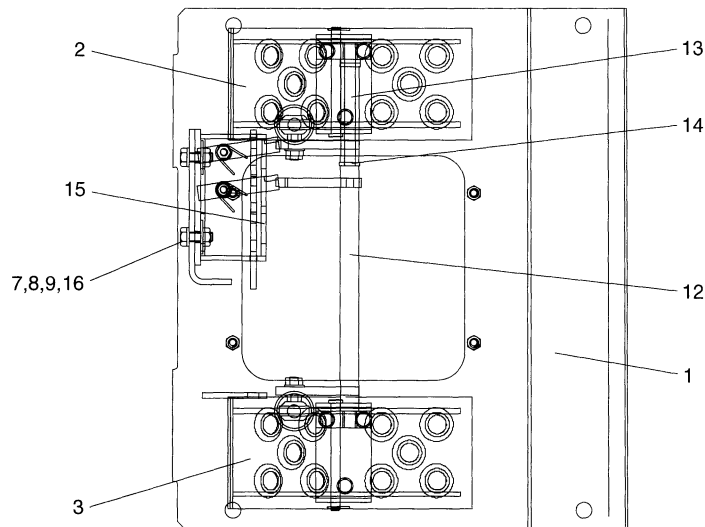
Y - SEPARATE ILLUSTRATION
C1 - NOT INTERCHANGEABLE-CHANGED
THE DATA IN "()" MEANS SERIAL NUMBER INFORMATION

D422986-01 BRAKE GP - PARKING PART 2 OF 2
D421874, D421868 - Fig. 8.03

(THIS PARTS BOOK IS FOR REFERENCE ONLY.
PART NUMBERS AND SERIAL NUMBERS MAY BE
OUT DATED. ALWAYS USE THE ONLINE PARTS SYSTEM)

9.023

FRAME AND BODY

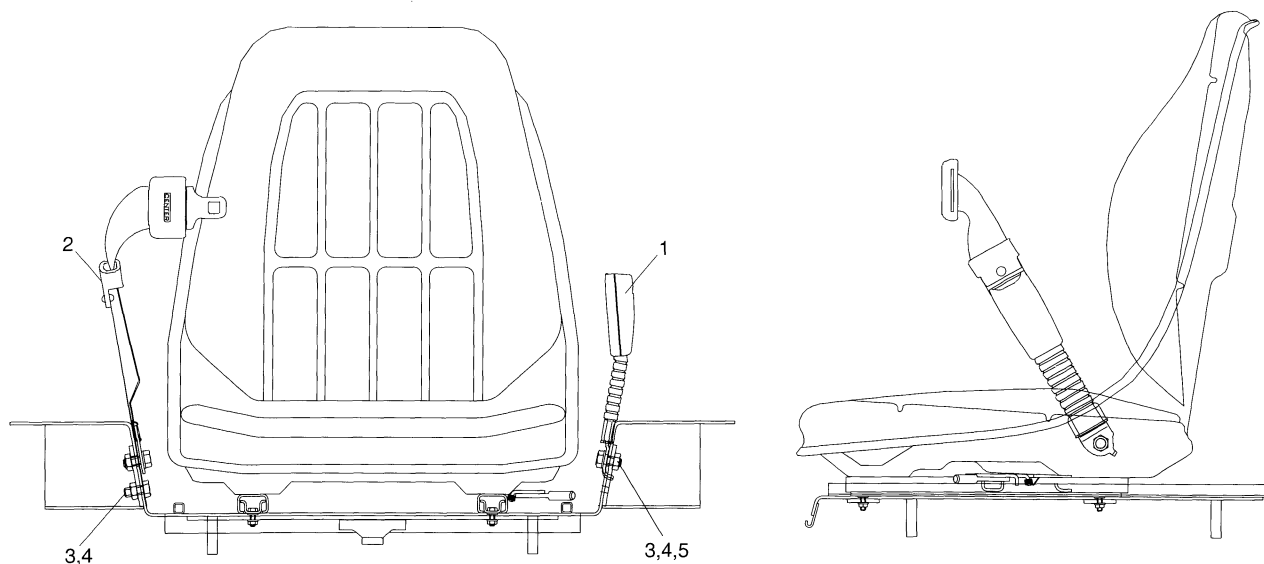


NOTE	REF NO	PART NUMBER	QTY	PART NAME	NOTE	REF NO	PART NUMBER	QTY	PART NAME
	1	D424832	1	PLATE AS.-FLOOR		22	D411294	2	NUT-LOCK
	2	D421971	1	PEDAL AS.-RH		23	D913030	2	NUT
	3	D421967	1	PEDAL AS.-LH					
	4	D421969	2	BRACKET					
	5	D421968	2	PIN					
	6	S180333H	4	PIN					
	7	S0509063	4	BOLT					
	8	D917092	12	WASHER-HARD					
	9	S4016543	4	NUT					
	10	S0508663	4	BOLT					
	11	D421973	2	BLOCK					
	12	D421972	1	BELLCRANK AS.					
	13	D421965	1	BELLCRANK AS.					
	14	D154130	2	BUSHING					
	15	D416498	1	LOCK ASS'Y					
	16	D917090	2	WASHER					
	17	D411930	2	YOKE					
	18	S4016733	2	NUT-M12					
	19	S5760301	2	PIN					
	20	D421970	2	ROD					
	21	D410949	2	BALL JOINT					

D424831 PEDAL ASS'Y - FOR VOLVO

Refer to Fig.9.0211

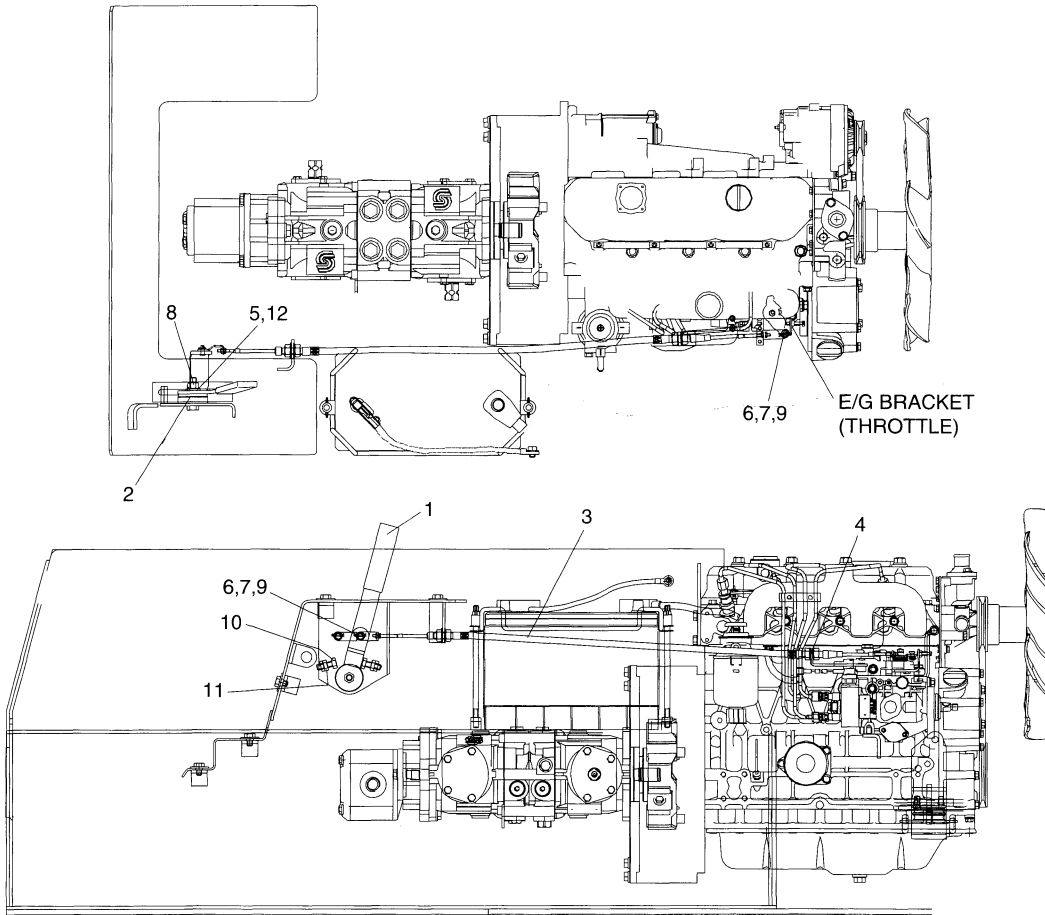
(THIS PARTS BOOK IS FOR REFERENCE ONLY.
PART NUMBERS AND SERIAL NUMBERS MAY BE
OUT DATED. ALWAYS USE THE ONLINE PARTS SYSTEM)



NOTE	REF NO	PART NUMBER	QTY	PART NAME	NOTE	REF NO	PART NUMBER	QTY	PART NAME
	1	D421261	1	SEAT BLT ASSEMBLY					
	2	D410243	1	GUIDE AS					
	3	D910089	3	BOLT					
	4	D913014	3	NUT-FULL					
	5	D917030	2	WASHER					

D421307 MTG. GP - SEAT BELT

(THIS PARTS BOOK IS FOR REFERENCE ONLY.
 PART NUMBERS AND SERIAL NUMBERS MAY BE
 OUT DATED. ALWAYS USE THE ONLINE PARTS SYSTEM)



NOTE	REF NO	PART NUMBER	QTY	PART NAME	NOTE	REF NO	PART NUMBER	QTY	PART NAME
	1	D425172	1	LEVER-THROTTLE					
	2	D430983	1	SPACER					
	3	D424601	1	CABLE AS-THROTTLE					
	4	D424602	1	BRACKET-CABLE					
	5	D917043	1	WASHER					
	6	S5760111	2	PIN-COTTER					
	7	S180333H	2	PIN					
	8	D913010	1	NUT-LOCK					
	9	D917092	4	WASHER					
	10	S0512263	2	BOLT					
	11	S4016633	2	NUT					
	12	D917013	1	WASHER					

D424600 CONTROL GP - THROTTLE

12.05

HYDRAULIC SYSTEM

NOTE	REF NO	PART NUMBER	QTY	PART NAME	NOTE	REF NO	PART NUMBER	QTY	PART NAME
	1	D422198	1	TUBE AS.					
	2	D422201	1	TUBE AS.					
	3	D422204	2	TUBE AS.					
	4	D422199	1	TUBE AS.					
	5	D421202	1	TUBE AS.					
	6	D424507	1	TUBE AS.					
	7	D424508	1	TUBE AS.					
	8	D422205	1	TUBE AS.					
	9	D422206	1	TUBE AS.					
	10	D422210	1	TUBE AS.					
	11	D422211	1	TUBE AS.					
	12	D422219	4	HOSE AS.					
	13	D422218	2	HOSE AS.					
	14	D422212	1	TUBE AS.					
	15	D422213	1	TUBE AS.					
	16	D423014	1	HOSE AS.					
	17	D423015	1	HOSE AS.					
	18	D421553	2	HOSE AS.					
	19	D419508	4	ELBOW-90°					
	20	D908005	2	TEE					
	21	A225038	2	TEE : SWIVEL RUN					
	23	S8030061	8	SEAL : O-RING					
	24	S8040081	30	SEAL : O-RING					
	25	S8030081	4	SEAL : O-RING					
	26	D432163	16	CLAMP					
	27	D432164	16	RUBBER					
	28	S0555963	6	BOLT					
	29	S0556063	3	BOLT					
	30	D913003	3	NUT : LOCK					
	31	D917092	19	WASHER					
	32	D421930	2	COVER					
	33	S0509063	6	BOLT					
	34	D416323	2	GUIDE					
	35	S0509463	1	BOLT					
	36	S0504863	1	BOLT					
	37	D913009	1	NUT : LOCK					
	38	S5010303	2	WASHER					
	39	D700208	16	SPACER					
	40	D424509	1	TUBE AS					
	41	D424510	1	TUBE AS					

D422980 LINES GP - BOOM & BUCKET PART 2 OF 3

(THIS PARTS BOOK IS FOR REFERENCE ONLY.
PART NUMBERS AND SERIAL NUMBERS MAY BE
OUT DATED. ALWAYS USE THE ONLINE PARTS SYSTEM)

12.10

HYDRAULIC SYSTEM

NOTE	REF NO	PART NUMBER	QTY	PART NAME	NOTE	REF NO	PART NUMBER	QTY	PART NAME
	1	D504619	1	DRAIN RELIEF VALVE-D					
	2	D415890	1	BRACKET					
	3	DS2029038	1	HOSE ASS'Y					
	4	DS2029037	1	HOSE ASS'Y					
	5	D421741	1	HOSE ASS'Y					
	6	D917022	2	WASHER					
	7	D424810	1	TUBE ASS'Y					
	8	D422366	1	TUBE ASS'Y					
	9	D423429	4	ELBOW 90° - LONG					
	10	D902177	4	ELBOW					
	11	D500379	1	ELBOW - BULK					
	12	D908013	1	TEE					
	13	S8030081	1	O-RING					
	14	D419558	1	ELBOW 90°					
E	15	D502518	203	HOSE-BULK-CM					
	16	S8450023	4	CLAMP					
	17	S8030121	8	O-RING					
	18	S8040121	9	O-RING					
	19	S8040081	2	O-RING					
	20	S8040061	2	O-RING					
	21	S8030061	4	O-RING					
	22	S0504463	2	BOLT					
E	23	D503051	147	PROTECTOR-HOSE					
	24	D504067	1	CONNECTOR W/ SCREEN FILTE					
	25	D423885	1	TEE-BULK					
	26	DS2021037	1	HOSE AS					
	27	D419604	1	ADAPTOR					
	28	D419527	1	ADAPTOR					
	29	DS2029039	1	HOSE AS					

E - ORDER BY CENTIMETER

AK-0001~1062

D424605 LINES GP - HST

(THIS PARTS BOOK IS FOR REFERENCE ONLY.
 PART NUMBERS AND SERIAL NUMBERS MAY BE
 OUT DATED. ALWAYS USE THE ONLINE PARTS SYSTEM)

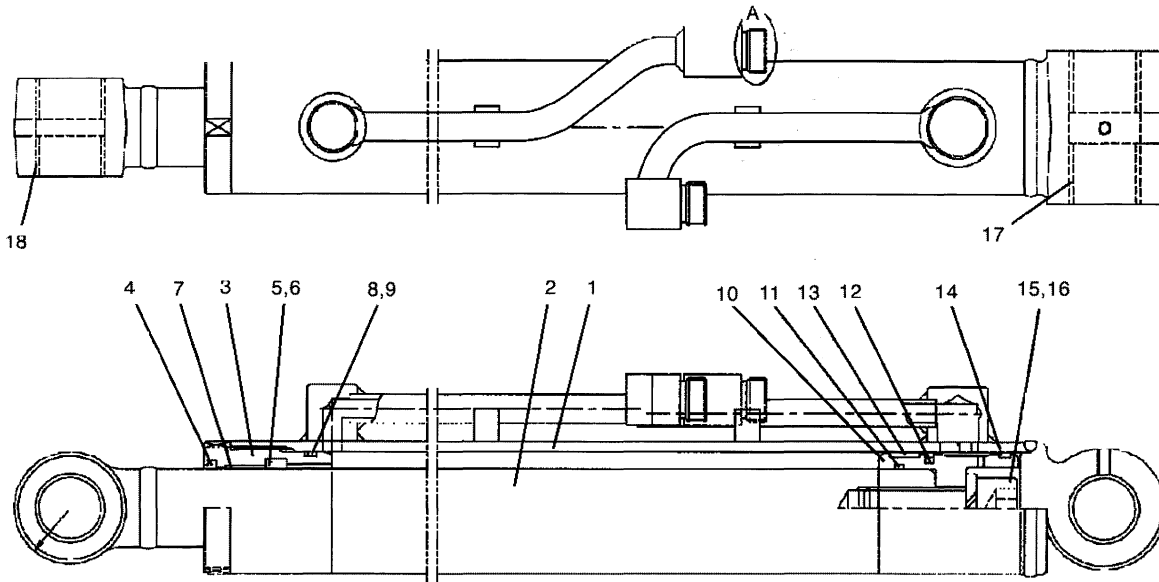
CLICK HERE TO **DOWNLOAD** THE COMPLETE MANUAL

- Thank you very much for reading the preview of the manual.
- You can download the complete manual from: www.heydownloads.com by clicking the link below



- Please note: If there is no response to CLICKING the link, please download this PDF first and then click on it.

CLICK HERE TO **DOWNLOAD** THE COMPLETE MANUAL

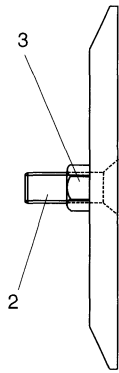
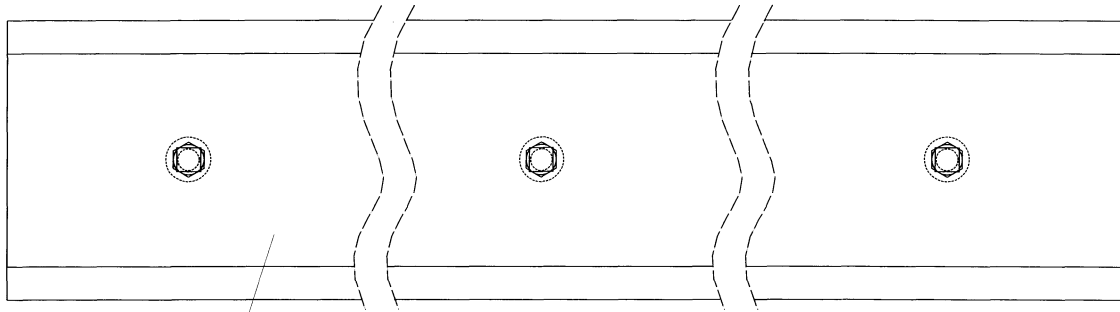


NOTE	REF NO	PART NUMBER	QTY	PART NAME	NOTE	REF NO	PART NUMBER	QTY	PART NAME
		1 D511775	1	TUBE ASS'Y					
		2 D511908	1	ROD ASS'Y					
		3 D511773	1	ROD COVER					
		4 D511453	1	WIPER-DUST					
		5 D511427	1	U-PACKING					
		6 D511426	1	RING-BACKUP					
		7 D511425	1	DU-BUSH					
J		8 D510541	1	O-RING					
J		9 D511670	1	RING-BACK UP					
		10 D511772	1	PISTON					
J		11 D511771	1	SEAL-O-RING					
J		12 D511672	11	SEAL-SLIPPER					
J		13 D511673	1	RING-WEAR					
J		14 D511770	1	RING-WEAR					
		15 D917087	1	WASHER					
		16 D511657	1	BOLT-SOCKET					
		17 D511438	2	DU-BUSH					
		18 D511048	2	DU-BUSH					
		D511769	1	KIT-SEAL (INCLUDES PARTS MARKED J)					

D512166 BOOM CYLINDER(FOR VOLVO)

Refer To Fig.9.0211

(THIS PARTS BOOK IS FOR REFERENCE ONLY.
PART NUMBERS AND SERIAL NUMBERS MAY BE
OUT DATED. ALWAYS USE THE ONLINE PARTS SYSTEM)



NOTE	REF NO	PART NUMBER	QTY	PART NAME	NOTE	REF NO	PART NUMBER	QTY	PART NAME
	1	D424145	1	BLADE-FRONT					
	2	D415639	7	PLOW BOLT					
	3	D415640	7	NUT					

D423728 WEAR BLADE AS

(THIS PARTS BOOK IS FOR REFERENCE ONLY.
 PART NUMBERS AND SERIAL NUMBERS MAY BE
 OUT DATED. ALWAYS USE THE ONLINE PARTS SYSTEM)

14.05

SERVICE EQUIPMENT AND SUPPLIES

NOTE	REF NO	PART NUMBER	QTY	PART NAME	NOTE	REF NO	PART NUMBER	QTY	PART NAME
	1	D416315	1	ANTI SKID ; FLOOR					
	2	D422440	1	ANTI SKID					
	3	D422441	1	ANTI SKID					
	4	D410659	2	RIVET					
	5	D425944	1	PLATE ; NAME					
	6	D416571	1	FILM ; PEDAL OPERATING					
	7	D416855	6	FILM ; ATTENTION!					
	8	D416856	1	FILM ; BOOM LOCK					
	9	D425995	1	FILM ; ROPS/FOPS					
	10	D416861	8	FILM ; SYMBOL					
	11	D416858	1	FILM ; LH LEVER					
	12	D416859	1	FILM ; RH LEVER					
	13	D416851	1	FILM ; THROTTLE LEVER					
	14	D416845	2	FILM ; HOT SURFACES					
	15	D416836	2	FILM ; CRUSHING HAZARDS					
	16	D416852	2	FILM ; CANOPY LOCK					
	17	D425309	2	FILM ; DAEWOO LOGO					
	18	D422465	1	FILM ; PARK BRAKE					
	19	D425980	2	FILM ; DAEWOO					
	20	D416860	1	FILM ; DIESEL					
	21	D416862	1	FILM ; HYD. OIL					
	22	D425313	2	FILM ; 440 PLUS					
	23	D416850	1	FILM ; LATCHES ENGAGED					
	24	D425981	1	FILM ; DAEWOO					
	25	D423414	2	FILM ; WARNING					
	26	D416846	1	FILM ; READ OPERATION MANUAL					
	27	D423409	1	FILM ; FUSE DIAGRAM					
	28	D422540	1	FILM ; WARNING LH					
	29	D422541	1	FILM ; WARNING RH					
	30	D423142	1	ANTI ; SKID					
	31	D139324	1	FILM ; EXTINGUISHER					
	32	A211653	1	FILM ; MASTER DISK S/W					
	33	D411743	1	FILM ; ET					
	34	D424982	1	FILM ; LWA					
	35	D425308	1	FILM ; NAME, PLUS					
	36	D425942	2	FILM-DOOSAN					
	37	D425982	1	FILM-DOOASN-DAEWOO					

D424862 DECAL GP - FOR CE PART 2 OF 2

(THIS PARTS BOOK IS FOR REFERENCE ONLY.
 PART NUMBERS AND SERIAL NUMBERS MAY BE
 OUT DATED. ALWAYS USE THE ONLINE PARTS SYSTEM)

15.04

OPTION SYSTEM

NOTE	REF NO	PART NUMBER	QTY	PART NAME	NOTE	REF NO	PART NUMBER	QTY	PART NAME
	1	DS2021040	1	HOSE AS.					
	2	D423949	1	TUBE AS.					
	3	DS2021038	1	HOSE AS.					
	4	D423950	1	TUBE AS.					
	5	D423951	1	TUBE AS.					
	6	DS2012148	1	HOSE AS.					
	7	D423469	1	TUBE AS.					
	8	D423470	1	TUBE AS.					
	9	D423471	1	BRACKET					
	10	D503500	1	SELF LEVEL V/V					
	11	D902037	4	ELBOW					
	12	D908005	2	TEE					
	13	S8040081	10	SEAL-O-RING					
	14	S8040101	4	SEAL-O-RING					
	15	D917092	4	WASHER					
	16	D913003	4	NUT-LOCK					
	17	S0509963	2	BOLT					
	18	S0555963	2	BOLT					
	19	D423952	2	TUBE AS					
	20	D424528	1	TUBE AS					
	21	D423954	1	TUBE AS					

D423454 CHANGEOVER AR - FOR SELF LEVEL VALVE

(THIS PARTS BOOK IS FOR REFERENCE ONLY.
 PART NUMBERS AND SERIAL NUMBERS MAY BE
 OUT DATED. ALWAYS USE THE ONLINE PARTS SYSTEM)

15.061

OPTION SYSTEM

NOTE	REF NO	PART NUMBER	QTY	PART NAME	NOTE	REF NO	PART NUMBER	QTY	PART NAME
	1	D423839	2	LIGHT ASSY;FRONT COMBI.					
		S863105H	1	BULB					
		S864121H	1	BULB					
	2	D546107	2	LIGHT ASSY;REAR COMBI.-RH					
		S863110H	1	BULB					
		S864123H	1	BULB					
		S866123H	1	BULB					
	3	D167628	2	BRACKET AS-GUARD					
	4	D546113	1	FLASHER UNIT					
	5	D560083	1	STRAP					
	6	D915032	4	SCREW					
	7	S0504663	6	BOLT					
	8	D917022	6	WASHER					
	9	S4016333	8	NUT					
	10	D421423	2	PLATE					
	11	D187477	1	RELAY AS-SEALED					
	12	D423727	1	BRACKET-RELAY					
	13	S3450853	1	NUT					
	14	S5000213	1	WASHER					
	15	S4016241	1	NUT					
	16	D425615	1	FILM-FUSE DIAGRAM					
	17	D425927	1	HARNESS AS-CANOPY					
	18	D425929	1	HARNESS AS-E/G					
Z	19		1	FRAME ASS'Y CHGOV AR.					
	20	D423816	1	BRACKET AS.-LH					
	21	D423817	1	BRACKET AS.-RH					
	22	D517260	1	VALVE G P - JOYSTICK HST					

Z - NOT SERVICED SEPARATELY

D426042 CHANGE OVER AR. - LIGHTING GP - FOR JOYSTICK

(THIS PARTS BOOK IS FOR REFERENCE ONLY.
 PART NUMBERS AND SERIAL NUMBERS MAY BE
 OUT DATED. ALWAYS USE THE ONLINE PARTS SYSTEM)

15.13

OPTION SYSTEM

NOTE	REF NO	PART NUMBER	QTY	PART NAME	NOTE	REF NO	PART NUMBER	QTY	PART NAME
Y	1	D424216	1	FRONT DOOR FRAME AS.					
Y	2	D424217	1	DOOR AS.-FRONT					
	3	D423607	1	SIDE PANEL AS. - LH					
	4	D423608	1	SIDE PANEL AS. - RH					
	5	D423657	1	LOWER PLATE-FRONT					
	6	D424449	2	POWER ANGLE AS.-SIDE					
	7	S0508663	36	BOLT ; HEX					
	8	D917092	70	WASHER - HARD					
	9	S4012533	34	NUT ; HEX					
	10	D424451	1	HARNES AS - WIPER					
	11	S5760212	2	PIN-CLEVIS					
	12	D410234	4	SPACER					
	13	S180333H	2	PIN-COTTER					
	14	S5100503	2	WASHER-SPRING					
	15	DS1003005	1	GAS SPRING					
	16	D424378	2	GAS SPRING					
	17	D425664	1	LOCK ASS'Y					

Y - SEPARATE ILLUSTRATION

D425667 HARD CABIN

D424216 - Fig.15.14

D424217 - Fig.15.15

(THIS PARTS BOOK IS FOR REFERENCE ONLY.
 PART NUMBERS AND SERIAL NUMBERS MAY BE
 OUT DATED. ALWAYS USE THE ONLINE PARTS SYSTEM)

16.02

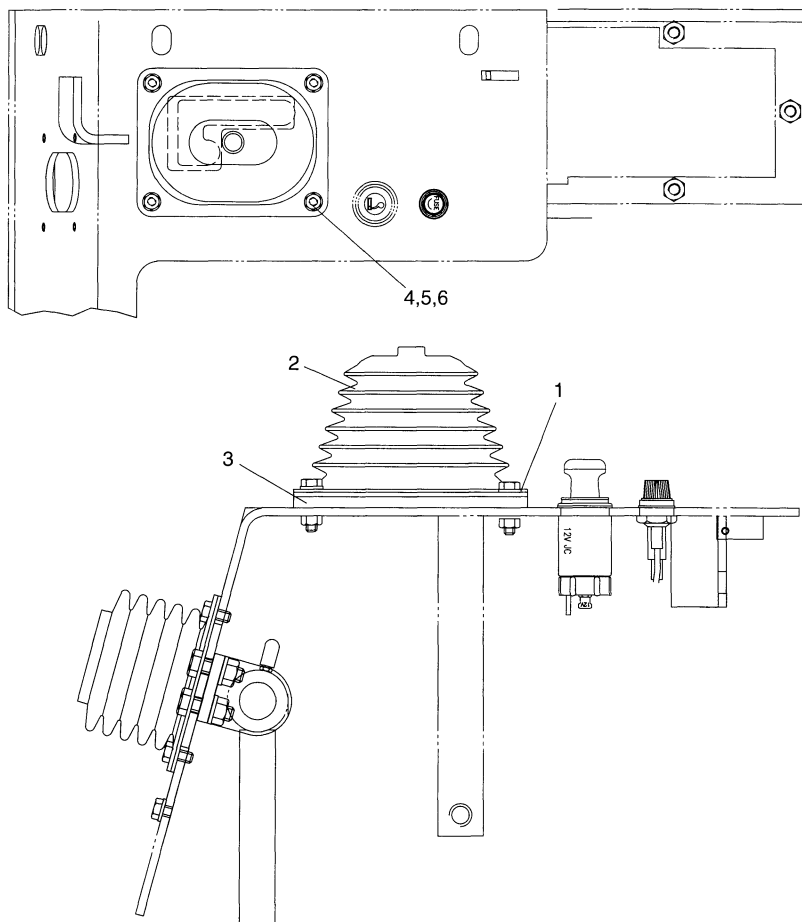
OPTION SYSTEM - FOR CE & ITALY

NOTE	REF NO	PART NUMBER	QTY	PART NAME	NOTE	REF NO	PART NUMBER	QTY	PART NAME
	1	D421318	1	HANDLE-RH (FOR HORN & THUMB CONTROL)					
	2	D558255	1	HOUSING					
	3	D560080	1	HORN					
	4	S0508663	1	BOLT					
	5	S4016533	1	NUT					
	6	S5000513	2	WASHER					
	7	D423679	1	BRACKET					

D423373 CHANGEOVER AR - FOR HORN(FOR CE)

(THIS PARTS BOOK IS FOR REFERENCE ONLY.
PART NUMBERS AND SERIAL NUMBERS MAY BE
OUT DATED. ALWAYS USE THE ONLINE PARTS SYSTEM)

OPTION SYSTEM - FOR CE & ITALY



NOTE	REF NO	PART NUMBER	QTY	PART NAME	NOTE	REF NO	PART NUMBER	QTY	PART NAME
	1	D421883	1	PLATE					
	2	D421540	1	BOOT					
	3	D421884	1	GUIDE					
	4	S0505063	4	BOLT					
	5	S4016333	4	NUT					
	6	D917022	4	WASHER					

D423181 CHANGEOVER AR - BOOT GP(FOR CE & ITALY)

(THIS PARTS BOOK IS FOR REFERENCE ONLY.
 PART NUMBERS AND SERIAL NUMBERS MAY BE
 OUT DATED. ALWAYS USE THE ONLINE PARTS SYSTEM)

16.16

OPTION SYSTEM - FOR CE & ITALY

NOTE	REF NO	PART NUMBER	QTY	PART NAME	NOTE	REF NO	PART NUMBER	QTY	PART NAME
	1	D424474	1	COVER AS.-LH		43	S994010H	2	GROMMET
	2	D424517	1	COVER AS.-MIDDLE		44	D658787	8	WASHER-CLIP
	3	D424476	1	COVER AS.-RH					
	4	D540235	1	BUZZER AS-PILOT					
	5	D560314	1	LAMP AS-ROOM					
		D560315	1	BULB					
	6	D422539	1	PANEL AS.					
	7	D147478	1	HOUR METER					
	8	A214494	1	WARNING LAMP AS - DIESEL					
		A214495	1	LAMP					
	9	D560290	1	LAMP AS-WARNING					
	10	D700329	1	GAGE AS-FUEL					
	11	D423315	1	LAMP AS-PILOT					
		D540021	1	LAMP					
	12	D560291	1	LAMP AS-PILOT(STOP)					
	13	D560292	1	LAMP AS-PILOT(!)					
	14	S3450403	6	SCREW					
	15	D424457	1	PANEL					
	16	D147482	1	SWITCH AS-IGNITION					
		A214062	1	KEY SET					
	17	A154431	1	SWITCH AS					
	18	D419594	1	SWITCH-ROCKER					
	19	D419596	1	SWITCH-P.B.-N.C.					
	20	D419598	1	INDICATOR LAMP					
	21	D419595	1	SWITCH					
	22	S0508863	9	BOLT					
	23	D917095	4	WASHER					
	24	S3450633	10	SCREW					
	25	D423838	2	LIGHT AS-FRONT HEAD LIGH					
		D423334	1	FRONT HEAD LIGHT					
E	26	A211631	66	STRIP-BULK					
	27	D423538	1	FILM-DOOSAN LOGO					
	28	D423310	1	LAMP AS-PILOT					
		D540027	1	LAMP					
	29	D423311	1	LAMP AS-PILO					
		D540028	1	LAMP					
	30	D423312	1	LAMP AS-PILO					
		D540027	1	LAMP					
	31	D423313	1	LAMP AS-PILO					
		D540025	1	LAMP					
	32	D423314	1	LAMP AS-PILOT					
		D540027	1	LAMP					
	33	A124047	1	SWITCH AS -HARZARD					
	34	A144131	1	SWITCH AS-TOGGLE					
	35	D423308	1	PLATE					
	36	D410659	2	RIVET					
	37	D422965	1	COVER-LH					
	38	D422966	1	COVER-RH					
	39	S3452853	8	SCREW					
	40	D917092	5	WASHE					
	41	S4016543	1	NUT					
	42	S5102503	8	WASHER					

E - ORDER BY CENTIMETER

D424465 CHANGE OVER AR. - INSTRUMENT GP(FOR ITALY)

(THIS PARTS BOOK IS FOR REFERENCE ONLY.
PART NUMBERS AND SERIAL NUMBERS MAY BE
OUT DATED. ALWAYS USE THE ONLINE PARTS SYSTEM)

16.19

OPTION SYSTEM - FOR CE & ITALY

NOTE	REF NO	PART NUMBER	QTY	PART NAME	NOTE	REF NO	PART NUMBER	QTY	PART NAME
	1	D421300	1	HANDLE-RH					
	2	S0504663	4	BOLT					
	3	D425577	1	PLATE AS-UPPER(OPTION)					
	4	D423839	2	LIGHT ASSY;FRONT COMBI.					
		S863105H	1	BULB					
		S864121H	1	BULB					
	5	D423841	1	LIGHT ASSY;REAR COMBI.-LH					
		S863110H	1	BULB					
		S864121H	1	BULB					
	6	D423840	1	LIGHT ASSY;REAR COMBI.-RH					
		S863110H	1	BULB					
		S864121H	1	BULB					
	7	D424477	1	BRACKET AS-LH					
	8	D424478	1	BRACKET AS-RH					
	9	S4012233	8	NUT					
	10	S5000213	12	WASHER					
	11	S0502963	4	BOLT					
	12	D425721	1	BRACKET LH-LAMP MTG					
	13	D544185	1	HOUSING AS-RECEP.					
	14	D419569	1	WEDGE LOCK-3PIN					
	15	D558255	1	HOUSING-PIN					
	16	D553202	2	SWITCH AS.					
	17	D424117	1	BRACKET-LH					
	18	D424118	1	BRACKET-RH					
	19	S3450633	4	SCREW					
	20	S5000113	4	WASHER					
	21	D423745	2	PLATE					
	22	S4012333	8	NUT					
	23	S5000313	8	WASHER					
	24	D425722	1	BRACKET RH-LAMP MTG					

D424467 CHANGER AR. - LIGHTING SYSTEM(FOR ITALY)

(THIS PARTS BOOK IS FOR REFERENCE ONLY.
 PART NUMBERS AND SERIAL NUMBERS MAY BE
 OUT DATED. ALWAYS USE THE ONLINE PARTS SYSTEM)

17.04

OPTION SYSTEM - FOR JOY STICK

NOTE	REF NO	PART NUMBER	QTY	PART NAME	NOTE	REF NO	PART NUMBER	QTY	PART NAME
	1	D425791	1	BRACKET-STAND ASS'Y-RH					
	2	D430330	1	PILLOW BALL					
	3	D425785	1	LEVER-PARKING ASS'Y					
	4	D425887	1	BRACKET-ARM REST					
	5	D425891	1	CASE-STAND LOWER					
	6	D425892	1	CASE-STAND UPPER					
	7	D425893	1	BOOT					
	8	A151813	2	STRIP					
	9	D425895	1	PLATE-ARM REST ASS'Y-RH					
	10	D425896	1	REST-ARM ASS'Y					
	11	D658234	1	KNOB AS					
	12	D666207	1	KNOB					
	13	S0504563	1	BOLT					
	14	S5010313	1	WASHER					
	15	S0508863	3	BOLT					
	16	S3450843	10	SCREW					
	17	S5000213	10	WASHER					
	18	S5010513	2	WASHER					
	19	D425956	5	PLUG					

D425916 STAND - JOY STICK ASS'Y - RH
 Part of D425840 Control Joy Stick GP - Fig.17.02

(THIS PARTS BOOK IS FOR REFERENCE ONLY.
 PART NUMBERS AND SERIAL NUMBERS MAY BE
 OUT DATED. ALWAYS USE THE ONLINE PARTS SYSTEM)

17.08

OPTION SYSTEM - FOR JOY STICK

NOTE	REF NO	PART NUMBER	QTY	PART NAME	NOTE	REF NO	PART NUMBER	QTY	PART NAME
	1	D425757	1	TUBE ASS'Y					
	2	D425758	1	TUBE ASS'Y					
	3	D425759	1	TUBE ASS'Y					
	4	D425760	1	TUBE ASS'Y					
	5	D425761	1	TUBE ASS'Y					
	6	D425762	1	TUBE ASS'Y					
	7	D425763	1	TUBE ASS'Y					
	8	D425764	1	TUBE ASS'Y					
	9	D425765	1	TUBE ASS'Y					
	10	D425766	1	TUBE ASS'Y					
	11	D701034	3	ELBOW					
	12	D425898	1	ROD					
	13	D418211	1	ISO-LINK					
	14	S0558363	1	BOLT					
Y	15	D517110	1	CONTROL VALVE					

Y - SEPARATE ILLUSTRATION

D425967 CHANGE OVER AR. - BOOM & BUCKET & ATTACH.
D517110-Fig.17.081

(THIS PARTS BOOK IS FOR REFERENCE ONLY.
 PART NUMBERS AND SERIAL NUMBERS MAY BE
 OUT DATED. ALWAYS USE THE ONLINE PARTS SYSTEM)

PART NUMBER INDEX

Number	Ref. No.	Page	Number	Ref. No.	Page	Number	Ref. No.	Page
917888	6.05 -21	48	A214240	6.04 - 3	47	A293264	1.03 - 5	5
929040	6.05 -20	48	A214240	6.05 - 4	48	A293265	1.03 - 6	5
929441	15.02 - 8	131	A214302	15.15 - 7	149	A293267	1.04 - 1	6
A114004	6.04 -28	47	A214494	6.05 - 9	48	A293268	1.04 - 2	6
A114004	16.18 -36	173	A214494	16.16 - 8	169	A293269	1.04 - 3	6
A114004	16.18 -36	175	A214495	6.05 - 9	48	A293270	1.04 - 4	6
A122016	17.06 - 3	189	A214495	6.05 -11	48	A293271	1.04 - 5	6
A124008	6.04 - 2	47	A214495	16.16 - 8	169	A293272	1.04 - 6	6
A124008	15.06 - 6	139	A221780	12.011-27	87	A293273	1.04 - 7	6
A124008	17.09 - 1	198	A225038	12.04 -21	91	A293274	1.04 - 8	6
A124047	16.16 -33	169	A225038	12.05 -21	93	A293275	1.04 - 9	6
A131593	15.15 - 3	149	A225038	12.06 -21	95	A293276	1.04 -10	6
A132547	9.03 -22	67	A251437	17.07 -42	191	A293277	1.04 -11	6
A134017	12.01 - 5	86	A251437	17.07 -42	193	A293279	1.05 - 1	7
A134017	12.011- 5	87	A266321	16.15 - 2	167	A293280	1.05 - 2	7
A141566	15.15 -10	149	A271860	14.01	117	A293281	1.05 - 3	7
A144131	15.14 - 4	148	A273814	5.06 - 8	42.1	A293281	1.11 -10	13
A144131	15.18 - 1	150.1	A285268	12.011-28	87	A293281	1.14 - 2	17
A144131	16.16 -34	169	A293208	5.05 - 8	42	A293281	5.01 - 6	38
A144301	6.06 - 5	49	A293209	1.10 -2B	12	A293281	5.03 -11	40
A151813	17.03 - 8	183	A293224	5.01 -1A	38	A293283	1.05 -4A	7
A151813	17.04 - 8	185	A293225	2.01 - 3	26	A293284	1.05 -4B	7
A152121	9.05 - 6	69	A293234	1.01 - 1	2	A293285	1.05 -4C	7
A154431	16.16 -17	169	A293235	1.01 - 2	2	A293286	1.05 -4D	7
A175113	15.05 -27	137	A293237	1.01 - 4	2	A293290	1.11 - 4	13
A211212	9.05 - 4	69	A293237	1.22 -1C	25.1	A293290	1.23	25.2
A211407	12.011- 3	87	A293239	6.03 - 1	45	A293291	1.11 - 3	13
A211480	6.04 -19	47	A293240	6.03 - 2	45	A293292	1.09 - 5	11
A211480	9.01 -27	61	A293243	1.02 - 2	3	A293294	1.11 -15	13
A211480	16.18 -33	173	A293245	1.03 - 1	5	A293294	4.02 - 3	35
A211480	16.18 -33	175	A293246	1.03 -1A	5	A293294	5.03 - 2	40
A211631	15.14 - 3	148	A293247	1.03 -1AA	5	A293296	3.02 - 9	29
A211631	16.16 -26	169	A293248	1.03 -1AB	5	A293298	6.01 - 1	43
A211631	17.05 - 2	187	A293249	1.03 -1AC	5	A293301	6.01 - 4	43
A211653	14.04 -32	123	A293250	1.03 -1AD	5	A293302	6.01 - 5	43
A211653	14.05 -32	125	A293251	1.03 -1AE	5	A293303	6.01 - 6	43
A211697	14.02 -15	119	A293252	1.03 -1AF	5	A293309	5.04 - 6	41
A211697	14.03 -15	121	A293253	1.03 -1B	5	A293313	1.08 - 2	10
A211697	14.06 -15	127	A293254	1.03 -1C	5	A293317	5.01 - 1	38
A211697	14.06 -15	129	A293255	1.03 -1D	5	A293319	5.01 -1B	38
A212025	15.15 - 5	149	A293256	1.03 -1E	5	A293320	5.01 -1A	38
A212106	14.01	117	A293256	1.12 -1IA	15	A293321	5.01 - 2	38
A212353	3.03 - 3	31	A293257	1.03 -1F	5	A293322	5.01 - 3	38
A212360	3.03 - 1	31	A293258	1.03 -1G	5	A293323	5.01 - 4	38
A213526	4.03 - 2	36	A293258	1.12 -1IH	15	A293324	5.01 - 5	38
A213941	4.03 -1E	36	A293259	1.03 -1H	5	A293327	1.09 - 1	11
A214040	15.111- 9	144.1	A293260	1.03 - 1I	5	A293328	1.06 - 3	8
A214062	6.05 -19	48	A293261	1.03 - 2	5	A293328	1.09 - 2	11
A214062	16.16 -16	169	A293262	1.03 - 3	5	A293329	1.09 - 3	11
A214108	6.04 - 2	47	A293262	1.11 - 6	13	A293329	1.22 - 2	25.1
A214108	15.06 - 6	139	A293262	1.23	25.2	A293330	1.09 - 4	11
A214108	17.09 - 1	198	A293263	1.03 - 4	5	A293331	1.09 -4A	11

(THIS PARTS BOOK IS FOR REFERENCE ONLY.
PART NUMBERS AND SERIAL NUMBERS MAY BE
OUT DATED. ALWAYS USE THE ONLINE PARTS SYSTEM)

PART NUMBER INDEX

Number	Ref. No.	Page	Number	Ref. No.	Page	Number	Ref. No.	Page
D460181	3.03 -16	31	D501013	12.12 -46	107	D503051	15.16 -14	149.2
D460182	3.03 -17	31	D501013	12.121-46	107.2	D503500	15.04 -10	135
D460214	4.03 -14	36	D501017	12.12 -52	107	D503500	15.041-10	135.2
D460243	7.04 - 3	53	D501017	12.121-52	107.2	D504067	12.10 -24	103
D460854	7.02 - 6	51	D501023	12.12 -49	107	D504619	12.10 - 1	103
D460985	3.03 - 7	31	D501023	12.121-49	107.2	D504619	12.101- 1	103.2
D461000	7.02 - 4	51	D501220	12.141- 9	109.1	D510022	12.141- 6	109.1
D461390	7.01 -24	50	D501220	12.142- 9	109.2	D510022	12.142- 6	109.2
D461392	3.03 -10	31	D501241	12.141- 5	109.1	D510116	12.14 - 5	109
D461394	1.10 -2A	12	D501241	12.142- 5	109.2	D510170	12.14 -15	109
D461395	1.10 - 2	12	D501243	12.141- 7	109.1	D510336	12.14 -19	109
D461395	7.01 -37	50	D501243	12.142- 7	109.2	D510336	12.141-19	109.1
D461398	3.03 -10A	31	D501244	12.141- 4	109.1	D510336	12.142-19	109.2
D461399	3.03 -10B	31	D501244	12.142- 4	109.2	D510541	12.13 - 8	108
D461404	7.01 -20	50	D501261	12.14 - 8	109	D510541	12.131- 8	108.1
D461406	7.01 -34	50	D501397	12.02 - 6	88	D510592	12.03 -23	89
D461442	1.08 - 1	10	D501425	12.14 -12	109	D510592	12.031-23	89.2
D461451	1.22 - 1	25.1	D501675	12.141-10	109.1	D511048	12.13 -18	108
D461486	3.03 - 7	31	D501675	12.142-10	109.2	D511048	12.131-18	108.1
D461487	7.01 -24	50	D501712	12.14 - 9	109	D511151	12.14 -14	109
D470058	7.03 -16	52	D501810	12.11 -24	105	D511425	12.13 - 7	108
D470235	7.02 - 5	51	D501811	12.11 - 9	105	D511425	12.131- 7	108.1
D470238	7.02 - 1	51	D501812	12.11 -25	105	D511426	12.13 - 6	108
D470242	4.03 - 1	36	D501813	12.11 -29	105	D511426	12.131- 6	108.1
D470243	4.03 -1A	36	D501814	12.11 -30	105	D511427	12.13 - 5	108
D470244	4.03 -1B	36	D501819	12.11 -28	105	D511427	12.131- 5	108.1
D470245	4.03 -1C	36	D501821	12.11 - 1	105	D511437	12.14 -20	109
D470246	4.03 -1D	36	D501822	12.11 -14	105	D511437	12.141-21	109.1
D470356	16.12 - 1	164	D501823	12.11 -13	105	D511437	12.142-21	109.2
D470358	5.06 - 8	42.1	D501824	12.11 -12	105	D511438	12.13 -17	108
D500206	12.07 -10	97	D501827	12.11 -27	105	D511438	12.131-17	108.1
D500207	12.07 -11	97	D501828	12.11 -26	105	D511453	12.13 - 4	108
D500208	12.07 -12	97	D501829	12.11 -15	105	D511453	12.131- 4	108.1
D500209	12.07 -13	97	D501845	12.14 -10	109	D511657	12.13 -16	108
D500219	12.03 -15	89	D501899	12.141-12	109.1	D511657	12.131-16	108.1
D500219	12.031-15	89.2	D501899	12.142-12	109.2	D511659	9.02 - 2	63
D500219	15.05 -31	137	D502501	12.03 - 2	89	D511670	12.13 - 9	108
D500219	15.051-31	137.2	D502501	12.031- 2	89.2	D511670	12.131- 9	108.1
D500379	12.10 -11	103	D502518	12.10 -15	103	D511672	12.13 -12	108
D500379	12.101-11	103.2	D502518	12.101-15	103.2	D511672	12.131-12	108.1
D500820	12.14 - 4	109	D502518	15.05 -74	137	D511673	12.13 -13	108
D500821	12.14 - 6	109	D502518	15.051-56	137.2	D511673	12.131-13	108.1
D500822	12.14 - 7	109	D502518	15.16 -18	149.2	D511769	12.13 - -	108
D500824	12.141- 8	109.1	D502518	17.07 -20	191	D511769	12.131	108.1
D500824	12.142- 8	109.2	D502518	17.07 -20	193	D511770	12.13 -14	108
D500982	12.12 -19	107	D502528	9.02 -10	63	D511770	12.131-14	108.1
D500982	12.121-19	107.2	D503051	12.03 -10	89	D511771	12.13 -11	108
D500984	12.12 -12	107	D503051	12.031-10	89.2	D511771	12.131-11	108.1
D500984	12.121-12	107.2	D503051	12.10 -23	103	D511772	12.13 -10	108
D500994	12.12 -44	107	D503051	12.101-23	103.2	D511772	12.131-10	108.1
D500995	12.12 -26	107	D503051	15.05 -64	137	D511773	12.13 - 3	108
D500995	12.121-26	107.2	D503051	15.051-64	137.2	D511773	12.131- 3	108.1

(THIS PARTS BOOK IS FOR REFERENCE ONLY.
PART NUMBERS AND SERIAL NUMBERS MAY BE
OUT DATED. ALWAYS USE THE ONLINE PARTS SYSTEM)

CLICK HERE TO **DOWNLOAD** THE COMPLETE MANUAL

- Thank you very much for reading the preview of the manual.
- You can download the complete manual from: www.heydownloads.com by clicking the link below



- Please note: If there is no response to CLICKING the link, please download this PDF first and then click on it.

CLICK HERE TO **DOWNLOAD** THE COMPLETE MANUAL