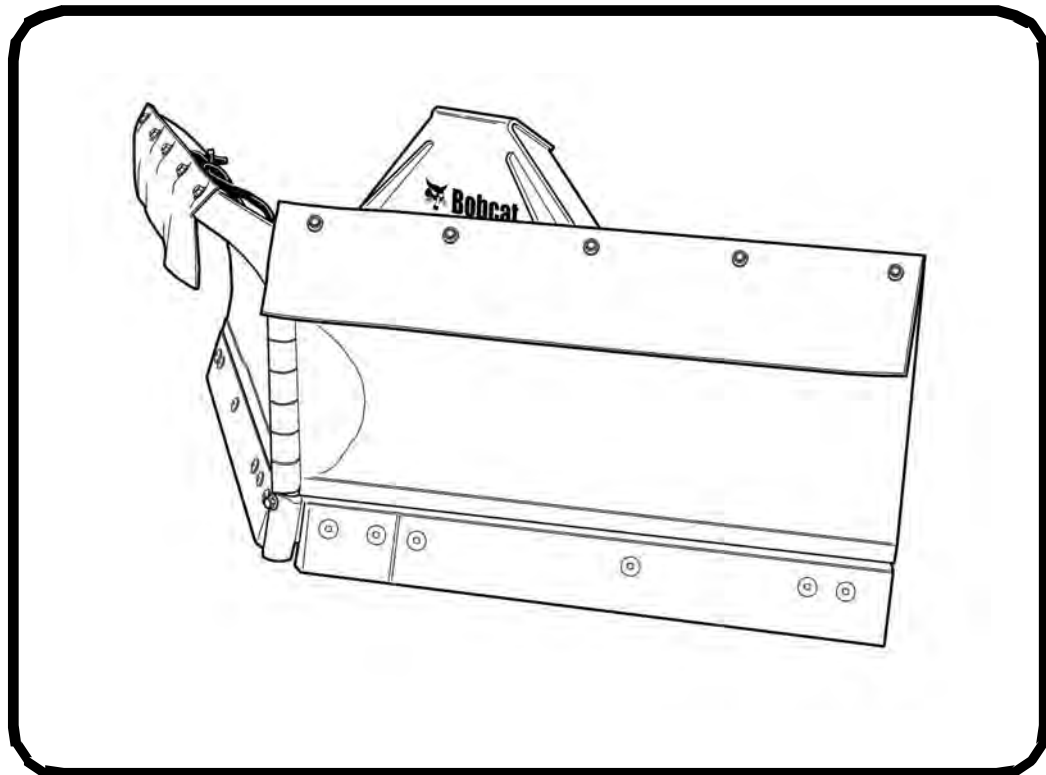




Bobcat®

Service Manual V-Blade

(SVBLD-60-UV) S/N B48C11001 & Above



CLICK HERE TO **DOWNLOAD** THE COMPLETE MANUAL

- Thank you very much for reading the preview of the manual.
- You can download the complete manual from: www.heydownloads.com by clicking the link below



- Please note: If there is no response to CLICKING the link, please download this PDF first and then click on it.

CLICK HERE TO **DOWNLOAD** THE COMPLETE MANUAL



Bobcat®

SKID SHOE

Removal And Installation



AVOID INJURY OR DEATH

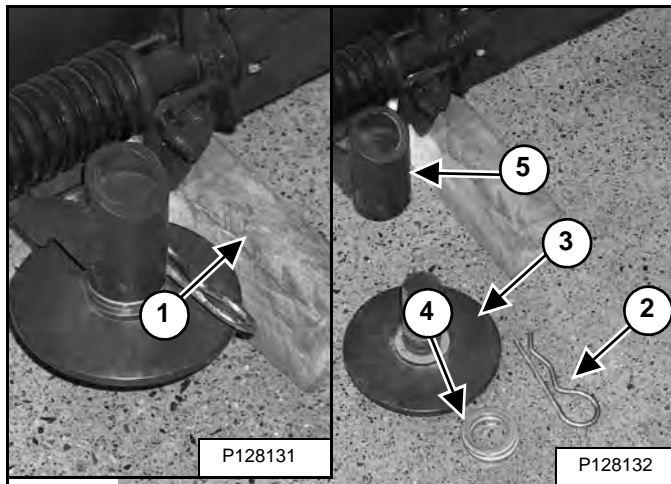
Wear safety glasses to prevent eye injury when any of the following conditions exist:

- When fluids are under pressure.
- Flying debris or loose material is present.
- Engine is running.
- Tools are being used.

W-2019-0907

Skid Shoe Removal

Figure 10-50-1



Fully raise the snow blade off the ground. Place blocks (Item 1) [Figure 10-50-1] under the cutting edge (both sides) to hold the skid shoe(s) off the ground.

Lower the snow blade until it rests on the blocks. Stop the engine and exit the machine.

Remove the retaining pin (Item 2) and the skid shoe (Item 3) [Figure 10-50-1].



AVOID INJURY OR DEATH

Securely block up the attachment before working underneath.

W-2795-0409

Skid Shoe Installation

Install spacers (Item 4) onto the skid shoe (Item 3) [Figure 10-50-1] to the desired height.

Insert the skid shoe all the way into the skid shoe sleeve (Item 5) [Figure 10-50-1].

NOTE: If the skid shoes are not installed properly, the weight of the snow blade will be put upon the retaining pin instead of the washers and may cause breakage.

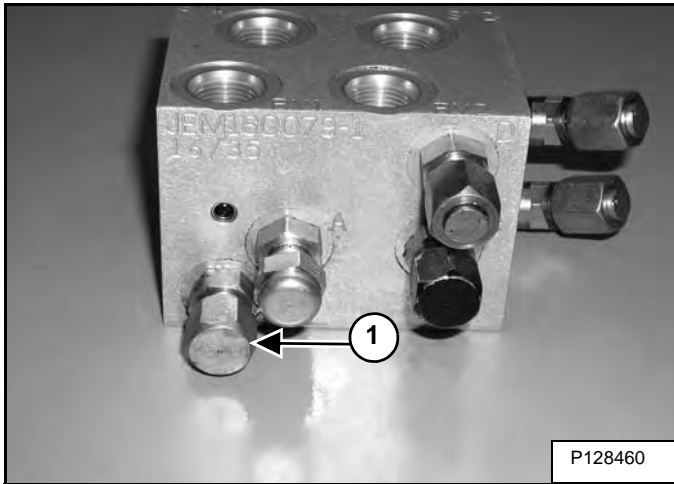
Install retaining pin (Item 2) through a retaining pin hole in the skid shoe sleeve (Item 5) [Figure 10-50-1].

Repeat on the other side, making sure both skid shoes are adjusted to the same height.

HYDRAULIC CONTROL VALVE (CONT'D)

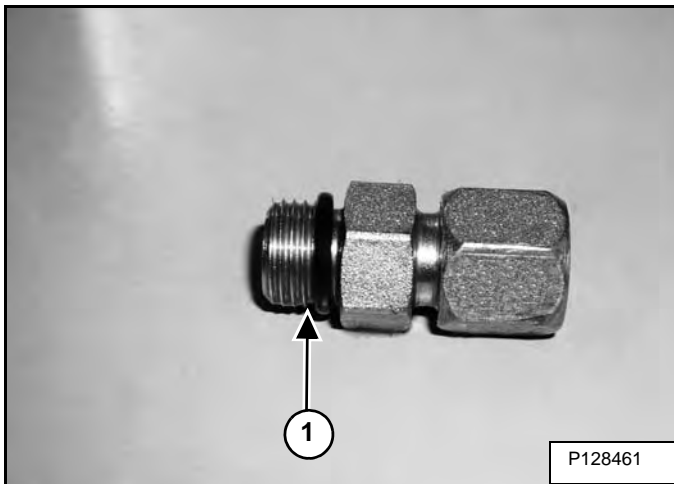
Disassembly (Cont'd)

Figure 20-10-16



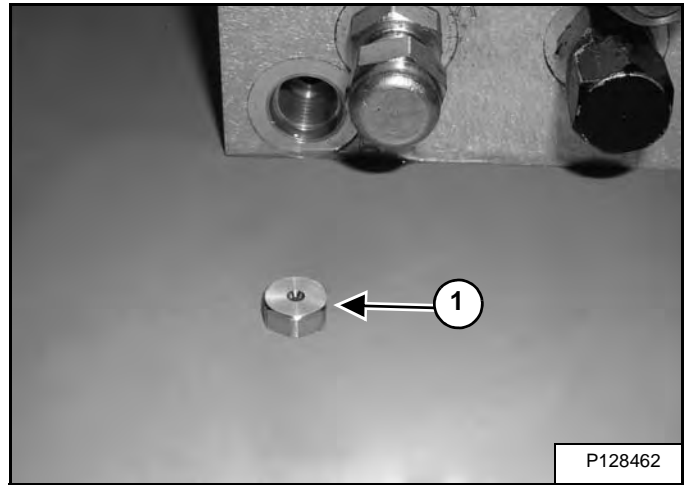
Remove the fitting (Item 1) [Figure 20-10-16].

Figure 20-10-17



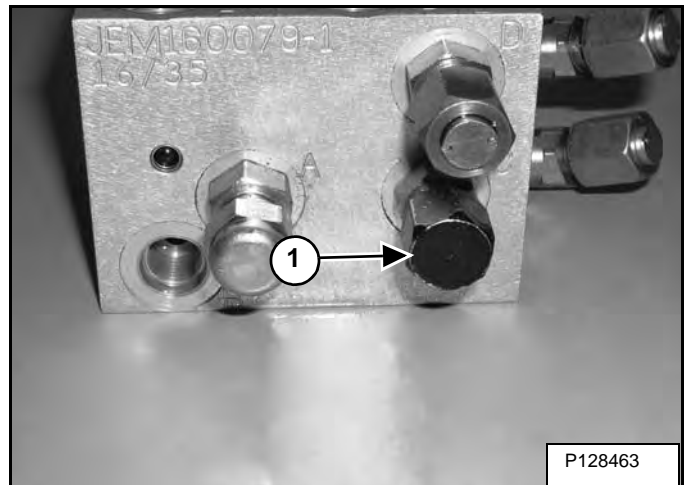
Remove the O-ring (Item 1) [Figure 20-10-17].

Figure 20-10-18



Remove the orifice (Item 1) [Figure 20-10-18].

Figure 20-10-19

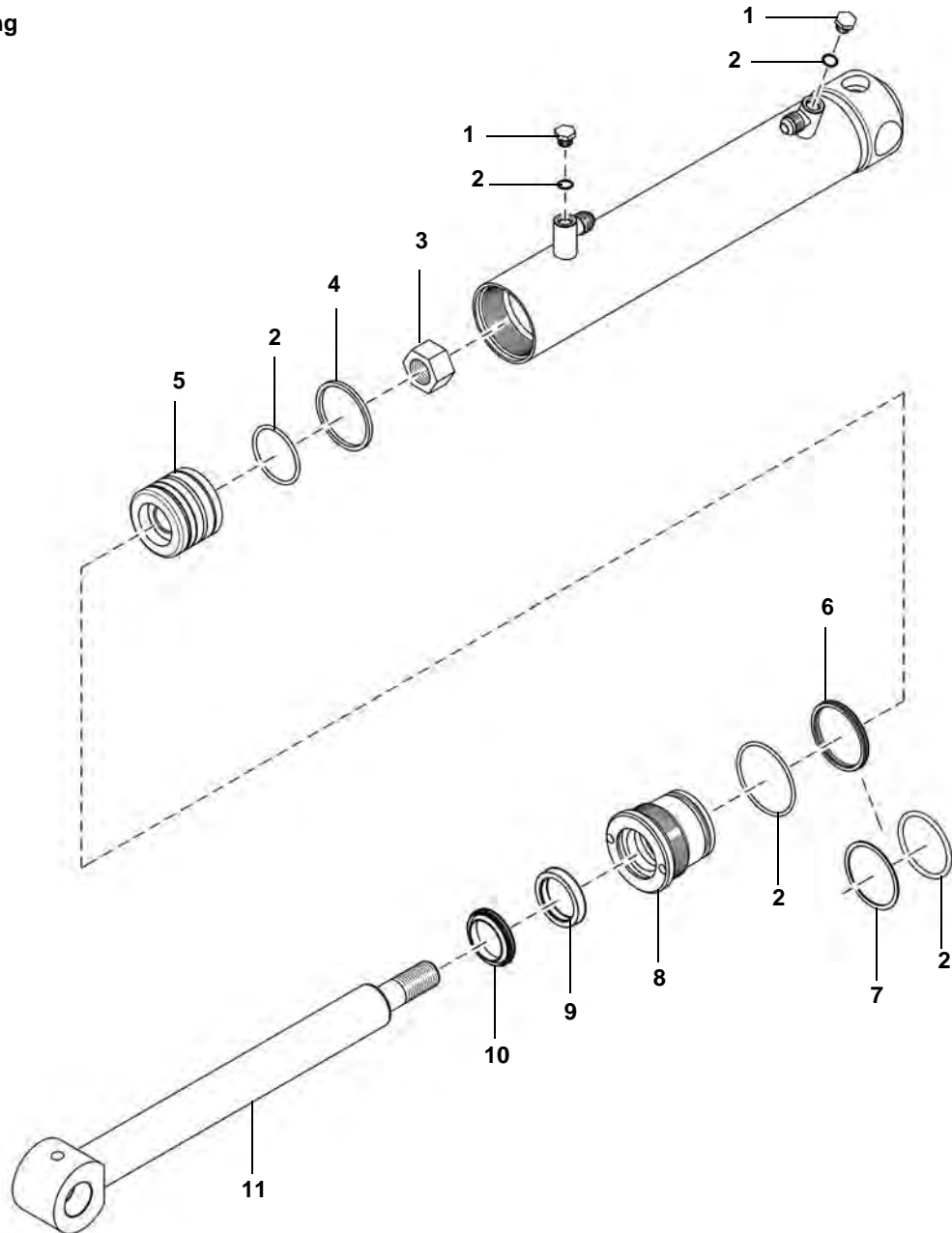


Remove the fitting (Item 1) [Figure 20-10-19].

HYDRAULIC CYLINDER (CONT'D)

Parts Identification

- 1. Plug
- 2. O-Ring
- 3. Nut
- 4. Seal
- 5. Piston
- 6. Back-up Ring
- 7. Seal
- 8. Head
- 9. Rod Seal
- 10. Wiper Seal
- 11. Rod



NA13203S

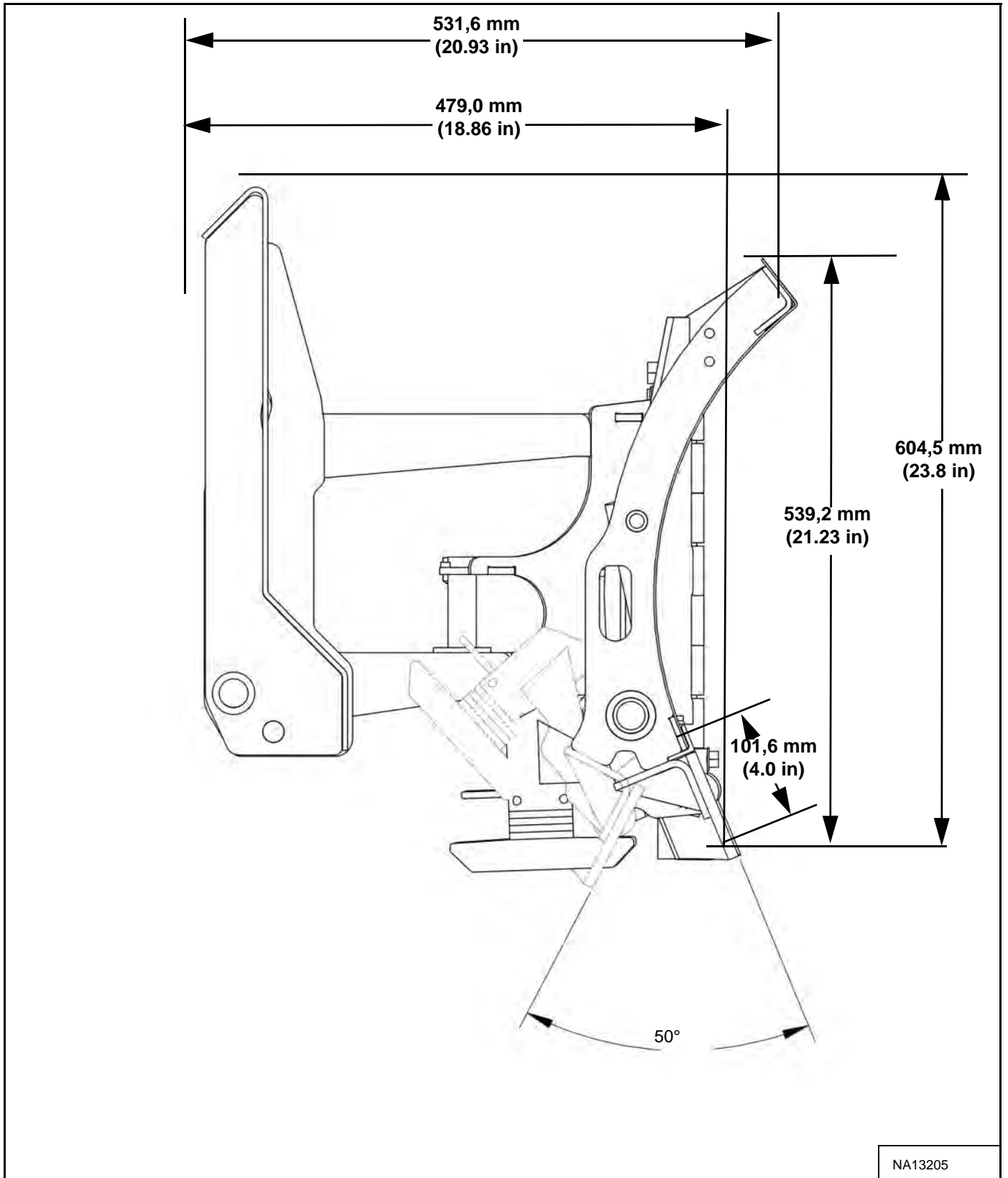


Bobcat®

V-BLADE SPECIFICATIONS

Dimensions

- Where applicable, specifications conform to **SAE and ISO** standards and are subject to change without notice.



CLICK HERE TO **DOWNLOAD** THE COMPLETE MANUAL

- Thank you very much for reading the preview of the manual.
- You can download the complete manual from: www.heydownloads.com by clicking the link below



- Please note: If there is no response to CLICKING the link, please download this PDF first and then click on it.

CLICK HERE TO **DOWNLOAD** THE COMPLETE MANUAL