

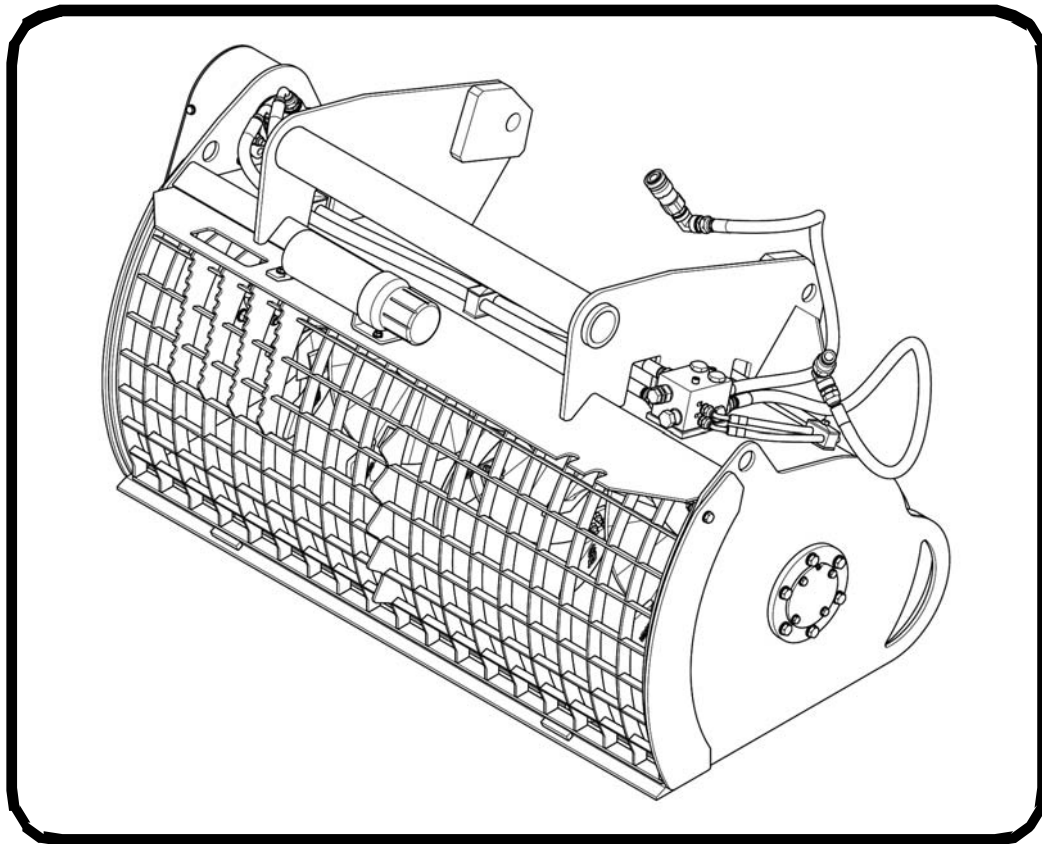


Bobcat®

Service Manual

Mixing Bucket

MB200SD BT: S/N AK1E00101 & Above
MB250SD: S/N AC4800101 & Above
MB250SD BT: S/N AK1C00101 & Above
MB250SD QT: S/N AK1D00101 & Above
MB600L



CLICK HERE TO **DOWNLOAD** THE COMPLETE MANUAL

- Thank you very much for reading the preview of the manual.
- You can download the complete manual from: www.heydownloads.com by clicking the link below

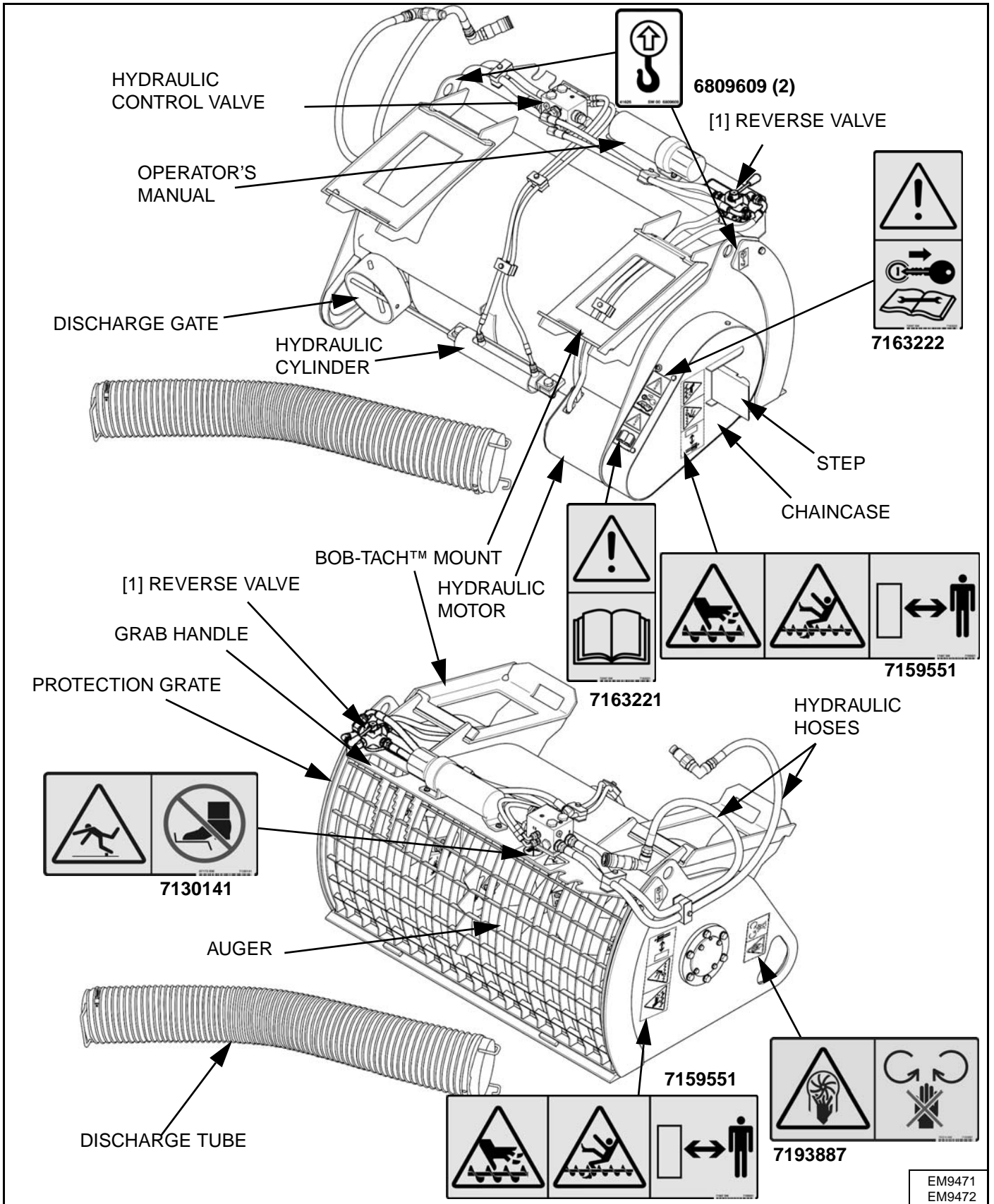


- Please note: If there is no response to CLICKING the link, please download this PDF first and then click on it.

CLICK HERE TO **DOWNLOAD** THE COMPLETE MANUAL

ATTACHMENT IDENTIFICATION AND MACHINE SIGNS (DECALS) (CONT'D)

MB200SD BT



[1] Only for S/N AK1E00122 & Above

DAILY INSPECTION (CONT'D)

Bob-Tach Mounting System (Cont'd)

Power Bob-Tach Option



Bob-Tach wedges must extend through the holes in attachment. Lever(s) must be fully down and locked. Failure to secure wedges can allow attachment to come off and cause injury or death.

W-2102-0497

Figure 10-20-6

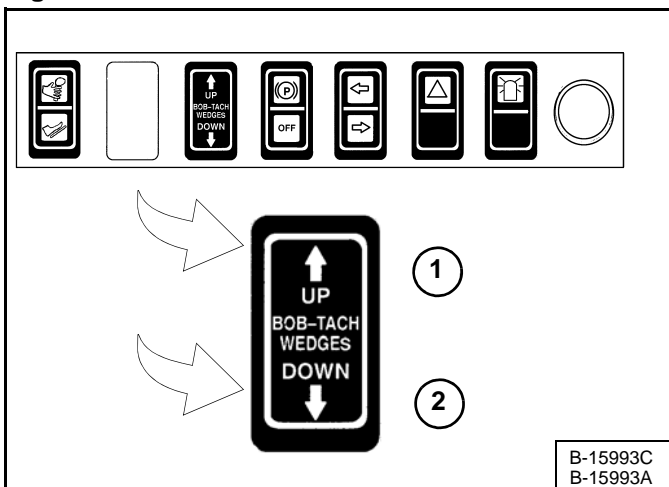
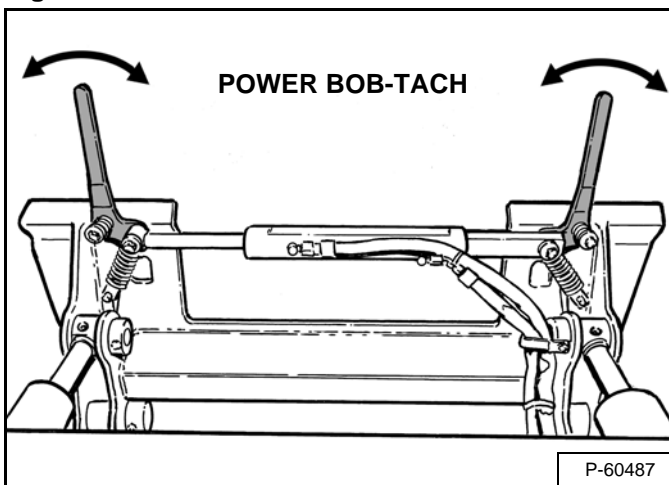


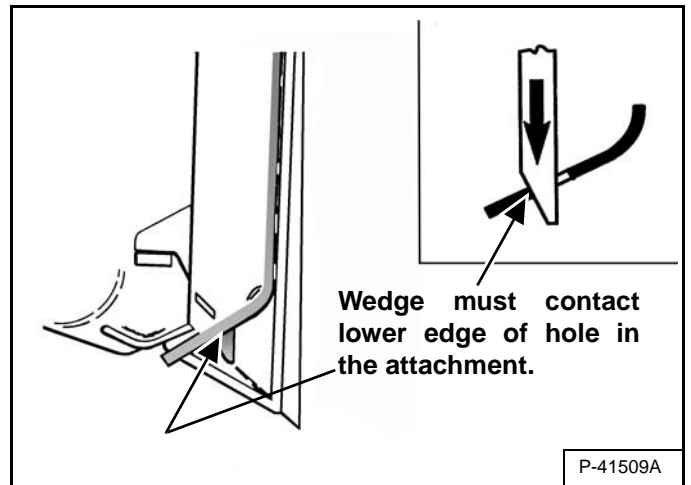
Figure 10-20-7



Push and hold the BOB-TACH WEDGES UP switch (Item 1) until the wedges are fully raised. Push and hold the BOB-TACH WEDGES DOWN switch (Item 2) [Figure 10-20-6] until the wedges are fully lowered.

The levers and wedges must move freely [Figure 10-20-7].

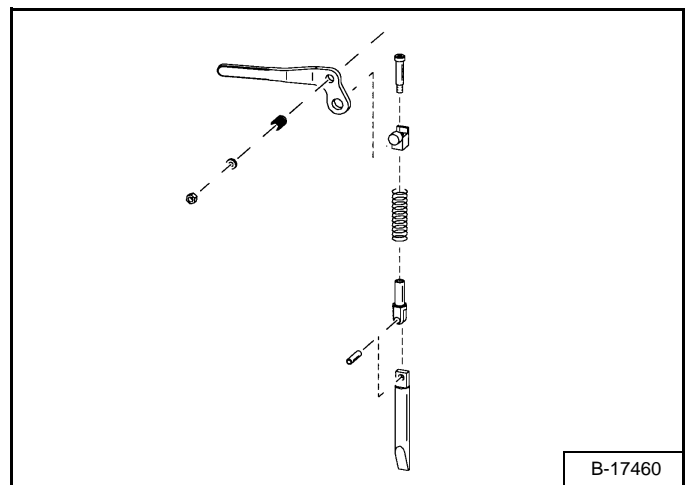
Figure 10-20-8



The wedges must extend through the holes in the attachment mounting frame securely fastening the attachment to the Bob-Tach [Figure 10-20-8].

NOTE: If the wedge does not contact the lower edge of the hole [Figure 10-20-8], the attachment will be loose and can come off the Bob-Tach mounting system.

Figure 10-20-9



Inspect the mounting frame on the attachment and the Bob-Tach mounting system, linkages and wedges for excessive wear or damage [Figure 10-20-9]. Replace any parts that are damaged, bent or missing. Keep all fasteners tight.

Look for cracked welds. Contact your Bobcat dealer for repair or replacement parts.

Lubricate the wedges. (See the machine's Operation & Maintenance Manual for correct lubrication procedures.)

HYDRAULIC CONTROL VALVE (CONT'D)

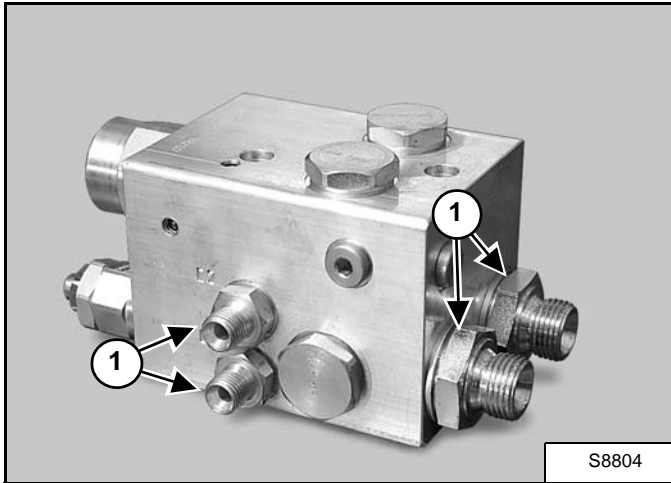
Disassembly

IMPORTANT

When repairing hydrostatic and hydraulic systems, clean the work area before disassembly and keep all parts clean. Always use caps and plugs on hoses, tubelines and ports to keep dirt out. Dirt can quickly damage the system.

I-2003-0888

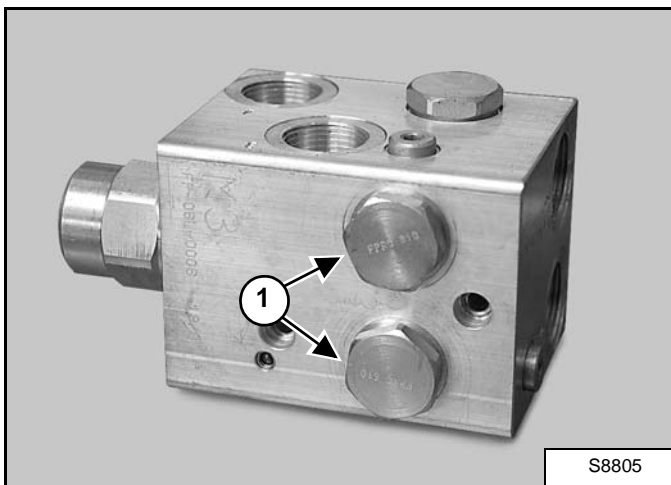
Figure 20-10-4



Mark the locations of the six fittings.

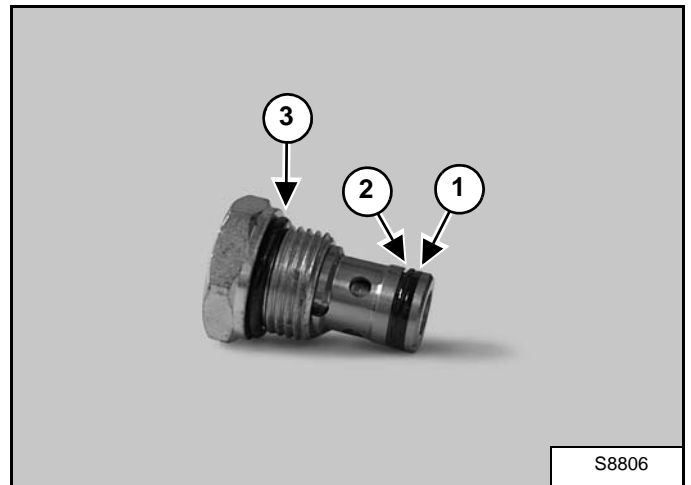
Remove the six fittings (Item 1) [Figure 20-10-4] from the hydraulic control valve.

Figure 20-10-5



Remove the two valves (Item 1) [Figure 20-10-5] from the hydraulic control valve.

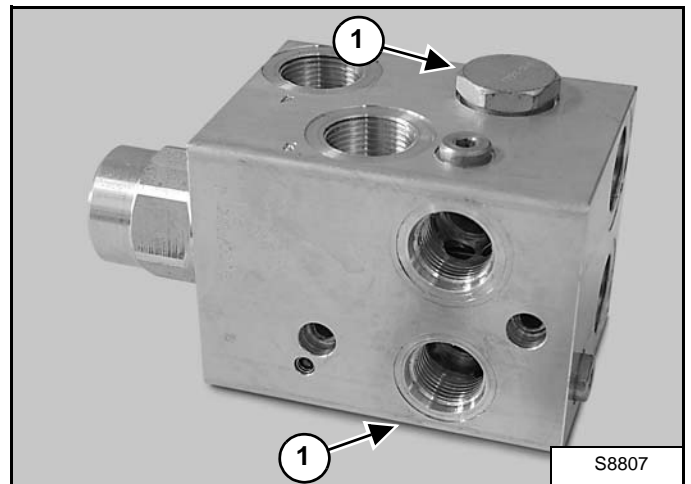
Figure 20-10-6



Remove the O-ring (Item 1) and the back-up ring (Item 2) [Figure 20-10-6] from the valves.

Remove the O-ring (Item 3) [Figure 20-10-6] from the valves.

Figure 20-10-7



Remove the two valves (top and bottom) (Item 1) [Figure 20-10-7] from the hydraulic control valve.

HYDRAULIC CYLINDER

Removal and Installation

IMPORTANT

When repairing hydrostatic and hydraulic systems, clean the work area before disassembly and keep all parts clean. Always use caps and plugs on hoses, tubelines and ports to keep dirt out. Dirt can quickly damage the system.

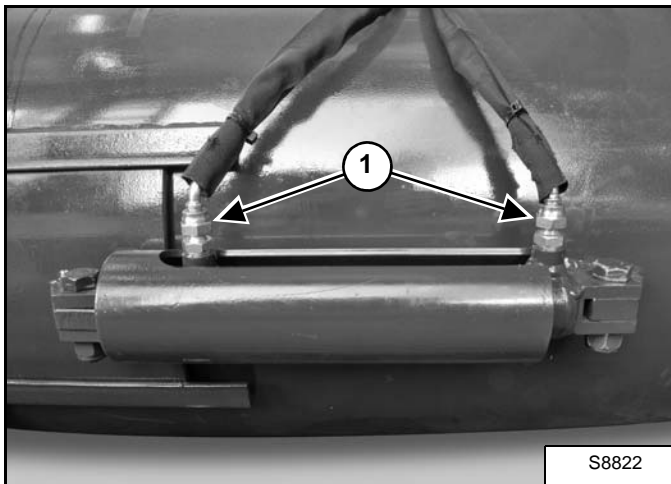
I-2003-0888

IMPORTANT

Contain and dispose of any oil leakage in an environmentally safe manner.

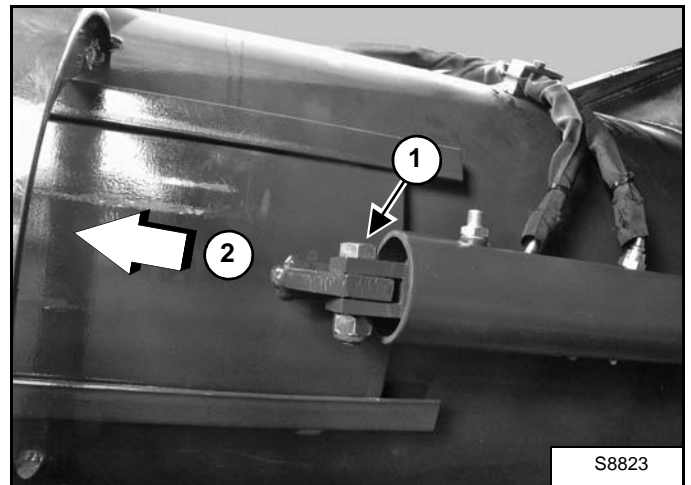
I-2066-0395

Figure 20-20-1



Remove the hoses (Item 1) [Figure 20-20-1] from the hydraulic cylinder.

Figure 20-20-2

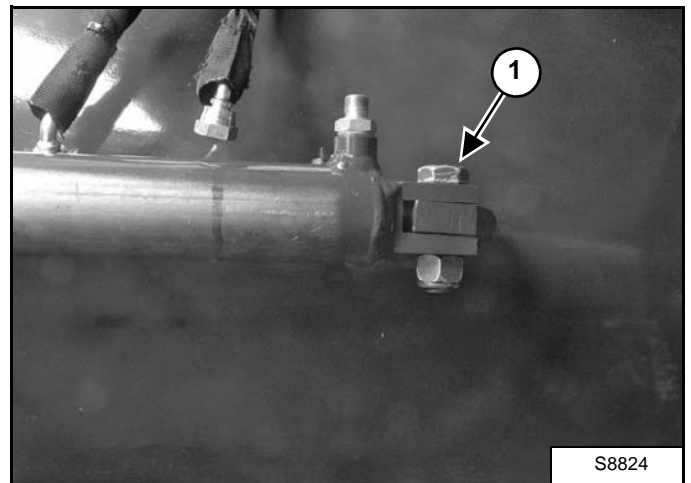


Remove the bolt and nut (Item 1) [Figure 20-20-2] from rod end of the hydraulic cylinder.

Installation: Tighten the bolt and nut to 132 N•m (97.4 ft-lb) torque.

Slide the discharge gate (Item 2) [Figure 20-20-2] completely to the left.

Figure 20-20-3



Remove the bolt and nut (Item 1) [Figure 20-20-3] from the base end of the hydraulic cylinder.

Installation: Tighten the bolt and nut to 132 N•m (97.4 ft-lb) torque.

Remove the hydraulic cylinder from the mixing bucket.

HYDRAULIC MOTOR (CONT'D)

Disassembly And Assembly

Mixing Bucket MB200SD BT

Clean the outside of the hydraulic motor before disassembly.

Use the following tools to disassemble the cylinder:

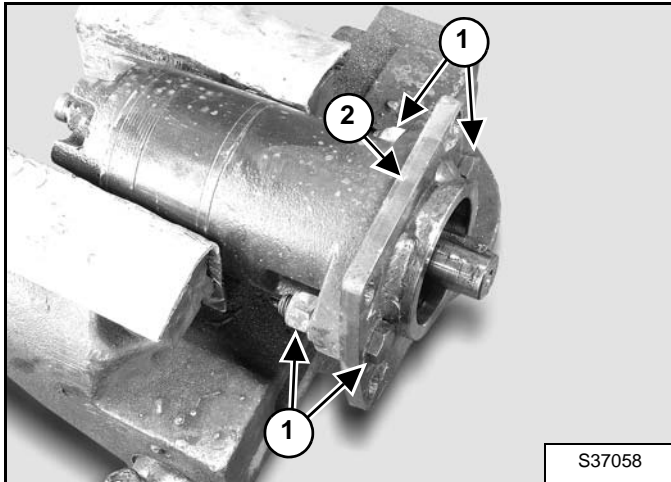
MEL1074 - O-ring Seal Hook

IMPORTANT

When repairing hydrostatic and hydraulic systems, clean the work area before disassembly and keep all parts clean. Always use caps and plugs on hoses, tubelines and ports to keep dirt out. Dirt can quickly damage the system.

I-2003-0888

Figure 20-30-6



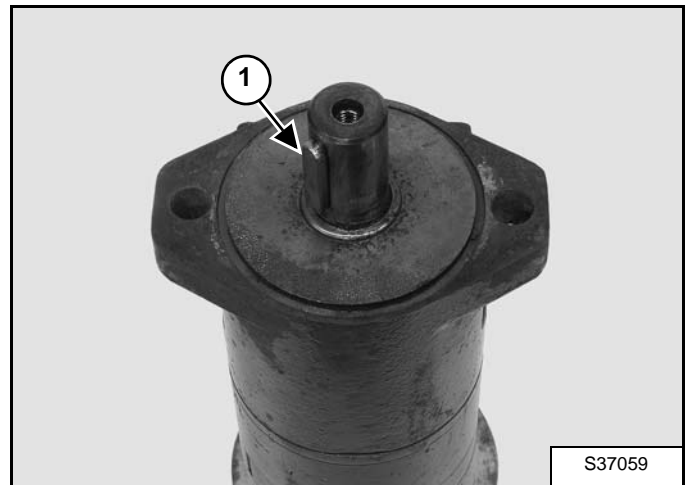
Put the hydraulic motor in a protected jaw vise [Figure 20-30-6].

Remove the nuts, washers and bolts (Item 1) [Figure 20-30-6].

Installation: Tighten the bolts and nuts to 54 - 73 N•m (40 - 54 ft-lb) torque.

Remove the bracket (Item 2) [Figure 20-30-6] from the hydraulic motor.

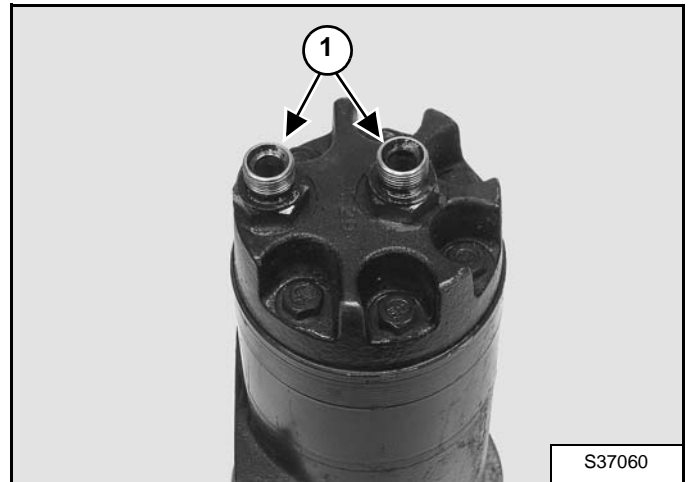
Figure 20-30-7



Remove the key (Item 1) [Figure 20-30-7] from the output shaft.

Put the hydraulic motor, mounting flange down, in a protected jaw vise.

Figure 20-30-8



Remove the two fittings (Item 1) [Figure 20-30-8] from the hydraulic motor.

HYDRAULIC MOTOR (CONT'D)

Disassembly And Assembly (Cont'd)

Mixing Bucket MB250SD

Clean the outside of the hydraulic motor before disassembly.

Use the following tools to disassemble the cylinder:

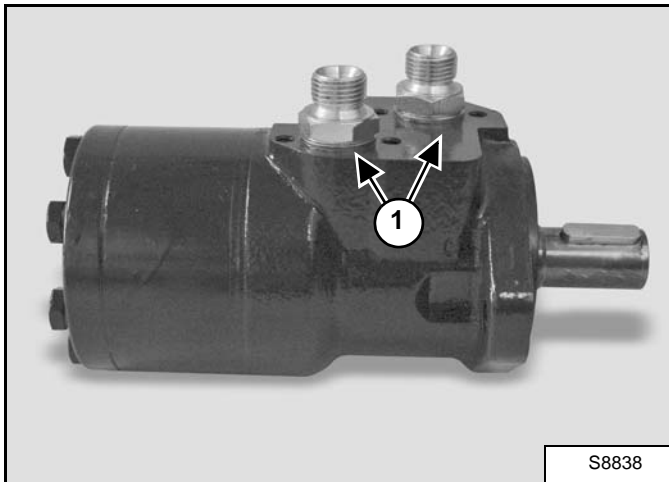
MEL1074 - O-ring Seal Hook

IMPORTANT

When repairing hydrostatic and hydraulic systems, clean the work area before disassembly and keep all parts clean. Always use caps and plugs on hoses, tubelines and ports to keep dirt out. Dirt can quickly damage the system.

I-2003-0888

Figure 20-30-43

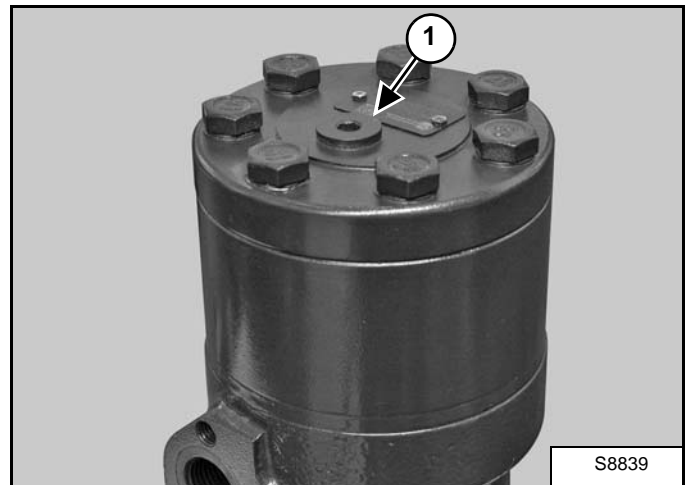


Remove the two fittings (Item 1) [Figure 20-30-43] from the hydraulic motor.

Mark the outside of the hydraulic motor for ease of assembly.

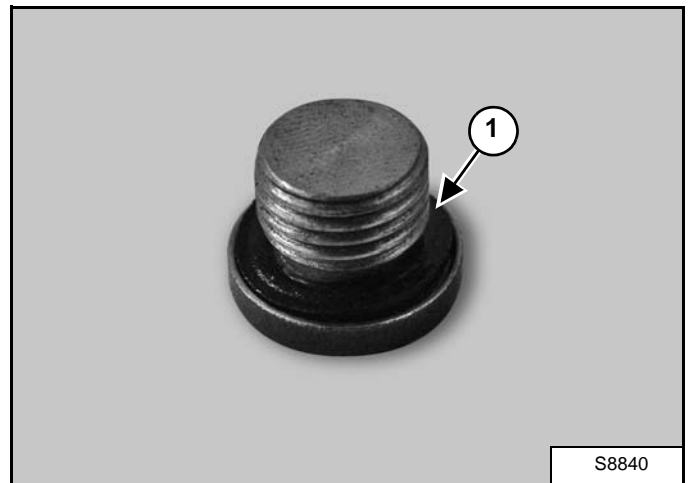
Put the hydraulic motor, mounting flange down, in a protected jaw vise.

Figure 20-30-44



Remove the drain plug (Item 1) [Figure 20-30-44] from the hydraulic motor.

Figure 20-30-45

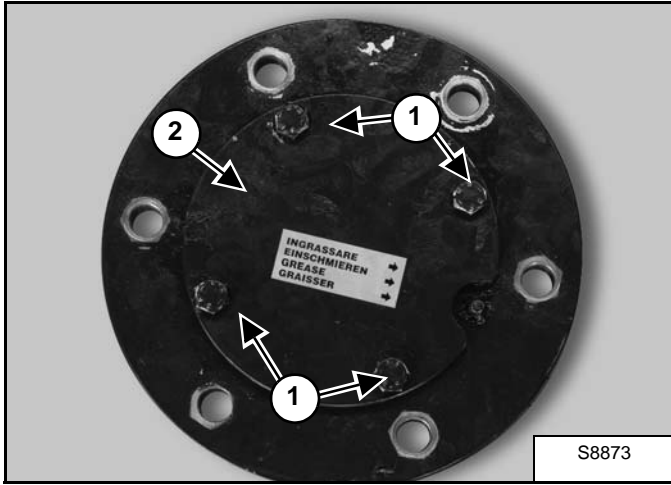


Remove the O-ring (Item 1) [Figure 20-30-45] from the drain plug.

AUGER (CONT'D)

Disassembly And Assembly

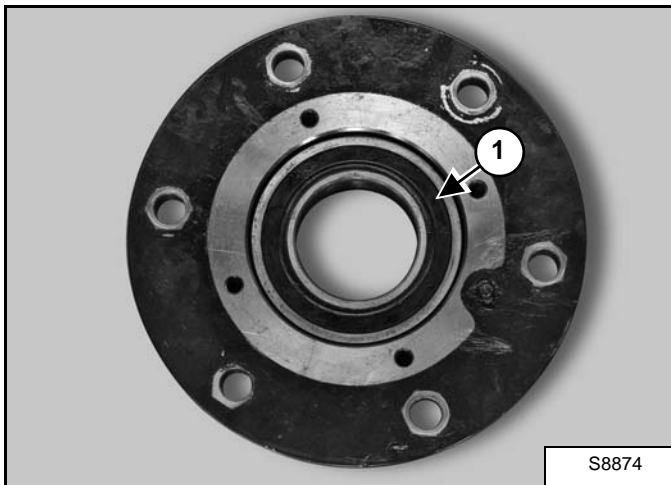
Figure 30-10-8



Remove the bolts (Item 1) and remove the cover (Item 2) [Figure 30-10-8].

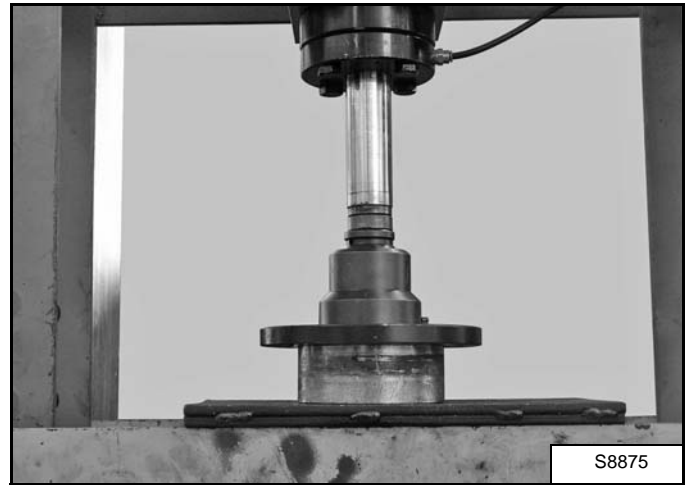
Installation: Tighten the bolts to 15 N•m (11.1 ft-lb) torque.

Figure 30-10-9



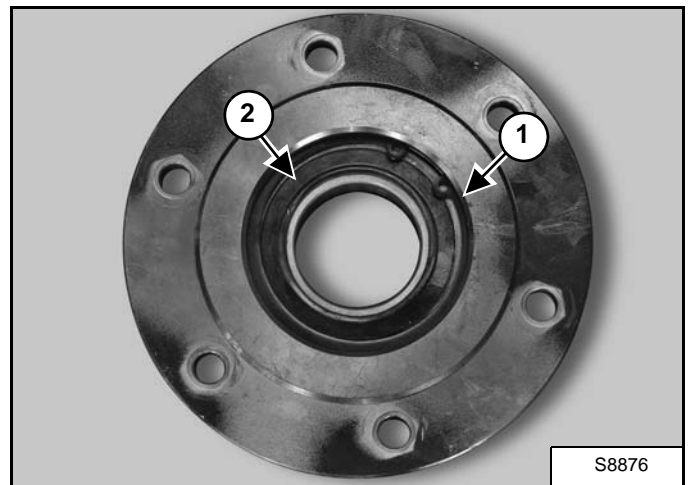
Remove the bearing (Item 1) [Figure 30-10-9] from the flange using a puller.

Figure 30-10-10



Installation: Install the bearing in the flange using a press [Figure 30-10-10].

Figure 30-10-11



Remove the snap ring (Item 1) [Figure 30-10-11].

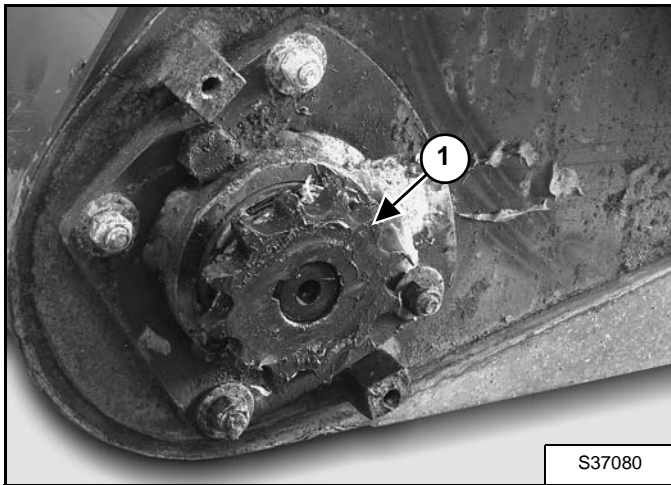
Remove the bearing (Item 2) [Figure 30-10-11] from the flange using a puller.

CHAINCASE (CONT'D)

Sprocket Removal And Installation (Cont'd)

Mixing Bucket MB200SD BT (Cont'd)

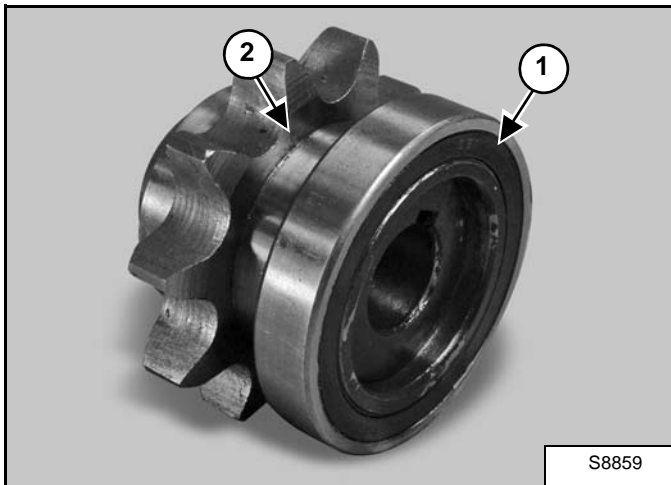
Figure 30-20-17



Remove the sprocket-bearing assembly (Item 1) [Figure 30-20-17] from the motor shaft using a puller.

Installation: Using a straight edge, align the sprocket on the motor with the crown wheel on the auger. Failure to align the sprocket and crown wheel could cause chain failure.

Figure 30-20-18



Separate the bearing (Item 1) from the sprocket (Item 2) [Figure 30-20-18] using a puller.

Mixing Bucket MB250SD, MB250SD BT, MB250SD QT

WARNING

AVOID INJURY OR DEATH

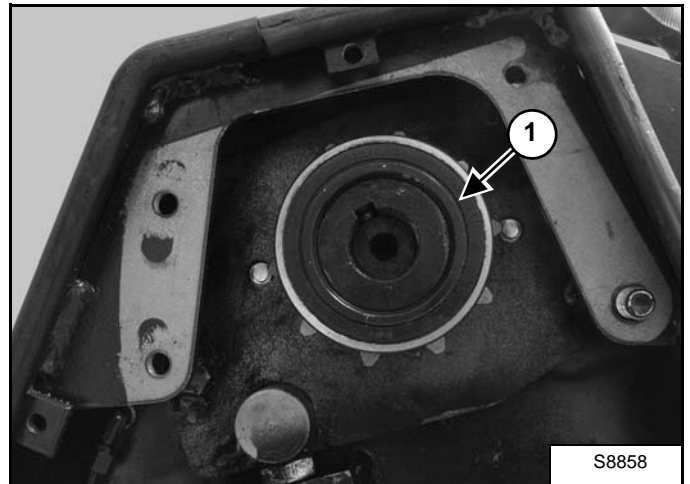
Wear safety glasses to prevent eye injury when any of the following conditions exist:

- When fluids are under pressure.
- Flying debris or loose material is present.
- Engine is running.
- Tools are being used.

W-2019-0907

Remove the chain. (See Chain Removal And Installation on Page 30-20-3.)

Figure 30-20-19



Remove the sprocket-bearing assembly (Item 1) [Figure 30-20-19] from the motor shaft using a puller.

CLICK HERE TO **DOWNLOAD** THE COMPLETE MANUAL

- Thank you very much for reading the preview of the manual.
- You can download the complete manual from: www.heydownloads.com by clicking the link below



- Please note: If there is no response to CLICKING the link, please download this PDF first and then click on it.

CLICK HERE TO **DOWNLOAD** THE COMPLETE MANUAL