



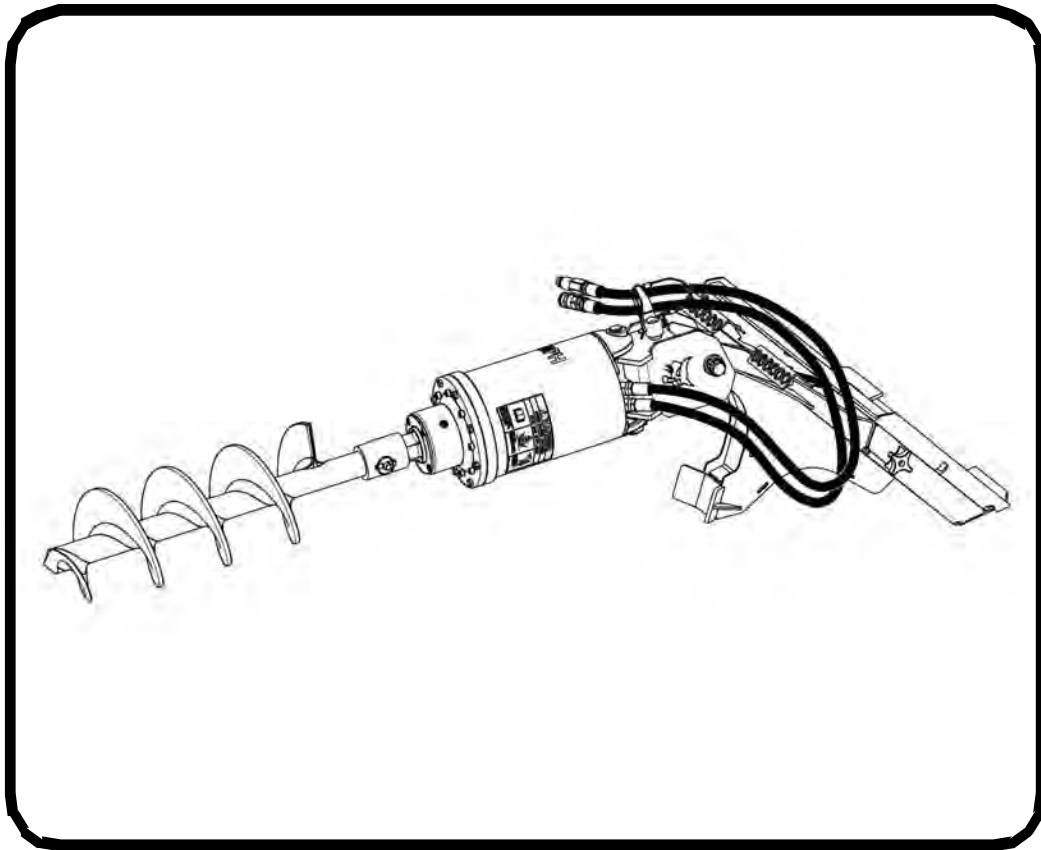
Bobcat®

Service Manual

Planetary Drive Auger

(35PH Auger) S/N AZLA00101 & Above

(50PH Auger) S/N B2KY00101 & Above



CLICK HERE TO **DOWNLOAD** THE COMPLETE MANUAL

- Thank you very much for reading the preview of the manual.
- You can download the complete manual from: www.heydownloads.com by clicking the link below



- Please note: If there is no response to CLICKING the link, please download this PDF first and then click on it.

CLICK HERE TO **DOWNLOAD** THE COMPLETE MANUAL



Bobcat[®]

REGULAR MAINTENANCE ITEMS

Planetary Drive

IMPORTANT

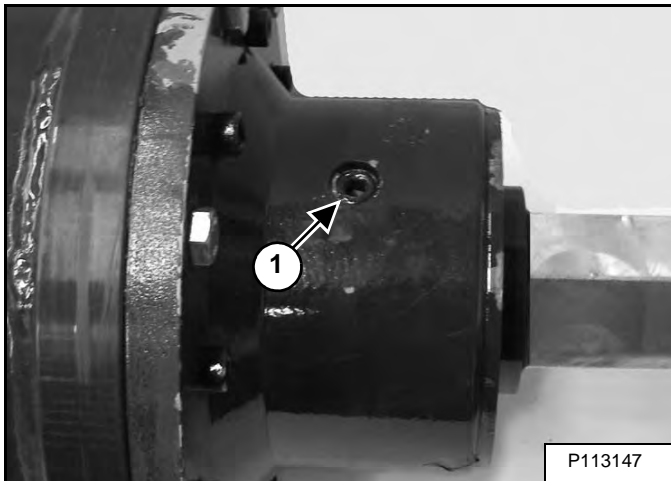
Fluid such as engine oil, hydraulic fluid, coolants, grease, etc. must be disposed of in an environmentally safe manner. Some regulations require that certain spills and leaks on the ground must be cleaned in a specific manner. See local, state and federal regulations for the correct disposal.

I-2067-0499

Checking And Adding Oil

The oil should be checked every 25 hours of operation (or sooner if any oil leakage is visible).

Figure 10-40-1



Remove the auger bit from the planetary drive.

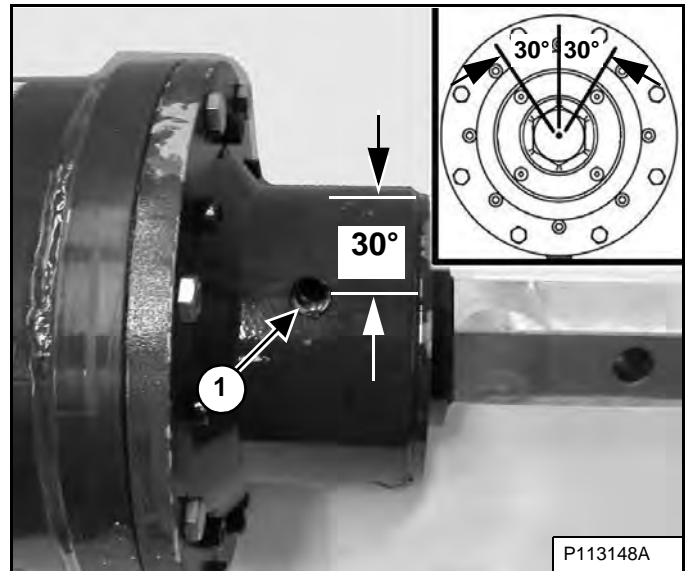
Remove the auger assembly from the machine.

For augers with Bob-Tach mounting frame: Remove the planetary drive assembly from the Bob-Tach mounting frame.

NOTE: If the planetary drive auger is installed on the Bob-Tach mounting frame, the mounting frame must be removed from the planetary drive auger to position it for correctly checking, filling and / or draining the oil. If equipped with the excavator mount, the planetary drive can be repositioned with the mount installed.

Position the planetary auger assembly so the fill / drain plug (Item 1) is facing up. Clean the area around the fill / drain plug thoroughly. Remove the fill / drain plug (Item 1) [Figure 10-40-1].

Figure 10-40-2



Rotate the planetary drive so the fill / drain plug hole (Item 1) [Figure 10-40-2] is at approximately 30° from the top.

The oil should be at the bottom edge of the plug hole.

Add oil as needed.

Reinstall the plug and tighten.

Replacing Oil

Replace the oil initially at 1000 hours of operation or one year, whichever comes first. Then replace the oil every two years thereafter.

Remove the fill / drain plug (Item 1) [Figure 10-40-1].

Rotate the planetary drive so the fill / drain hole is at facing down. Drain the oil into an approved container.

Rotate the planetary drive so the fill / drain hole (Item 1) [Figure 10-40-2] is at approximately 30° from the top.

Add the correct oil until the oil is at the bottom edge of the fill plug.

Reinstall the plug and tighten.

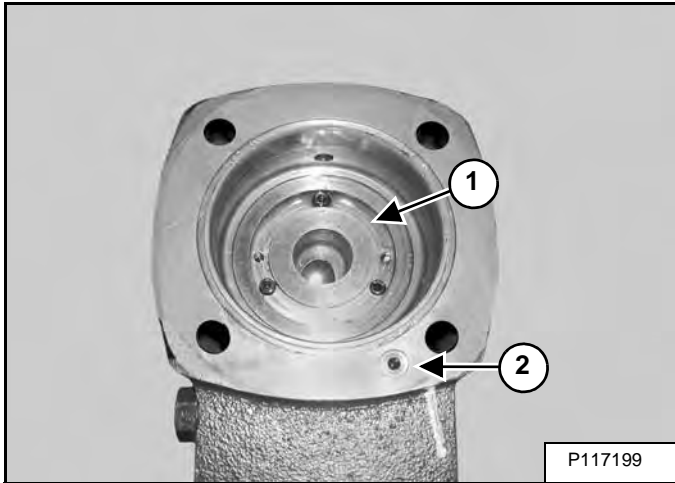
HYDRAULIC MOTOR (CONT'D)

Inspection

Clean all the parts in solvent and dry with compressed air. DO NOT use cloth or paper to dry the parts. Small pieces of material can get into the system and cause damage.

Check the following parts before assembly.

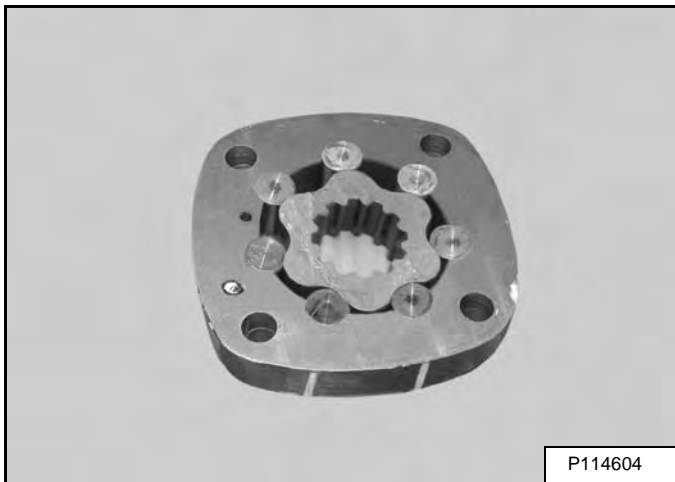
Figure 20-10-17



Check the motor end cap (Item 1) [Figure 20-10-17] for scratches.

NOTE: Inspect and clean the motor case drain during motor repair or replacement (Item 2) [Figure 20-10-17].

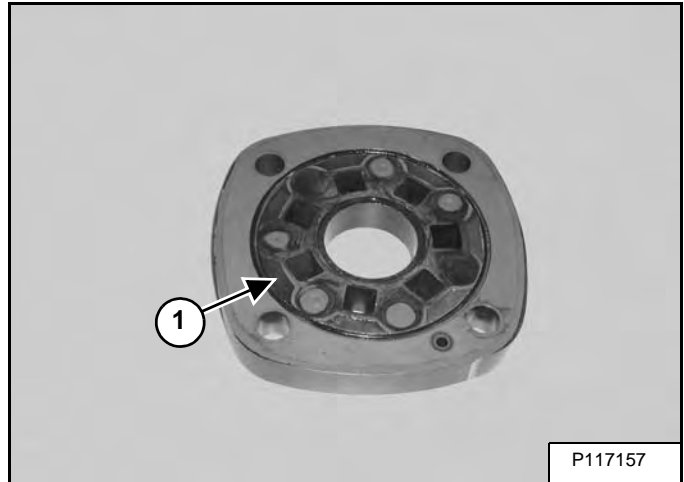
Figure 20-10-18



Check the Geroler® rollers and rotor for wear and scratches [Figure 20-10-18].

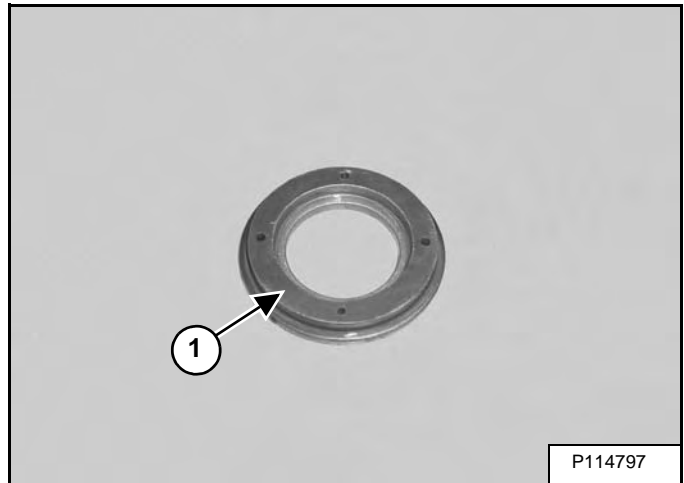
NOTE: Do not disassemble the Geroler®. If rollers come out, put them back in their original bore.

Figure 20-10-19



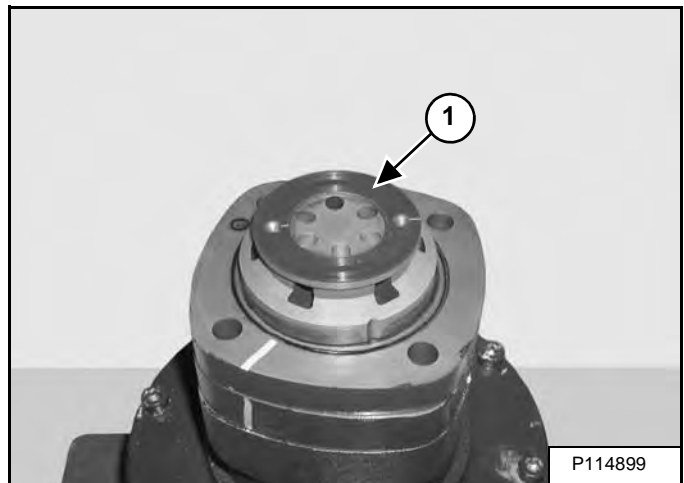
Check the valve plate surface (Item 1) [Figure 20-10-19] (both sides) for scratches.

Figure 20-10-20



Check the balancing ring surface (Item 1) [Figure 20-10-20] (both sides) for scratches.

Figure 20-10-21

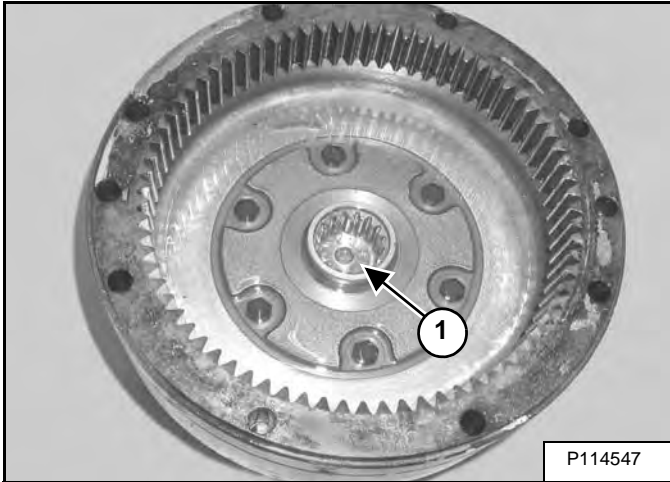


Check the valve surface (Item 1) [Figure 20-10-21] (both sides) for scratches.

PLANETARY GEAR HOUSING (CONT'D)

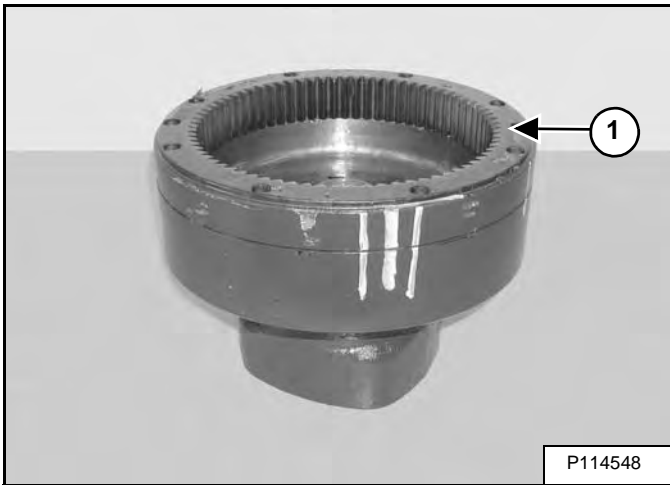
Disassembly (Cont'd)

Figure 20-20-17



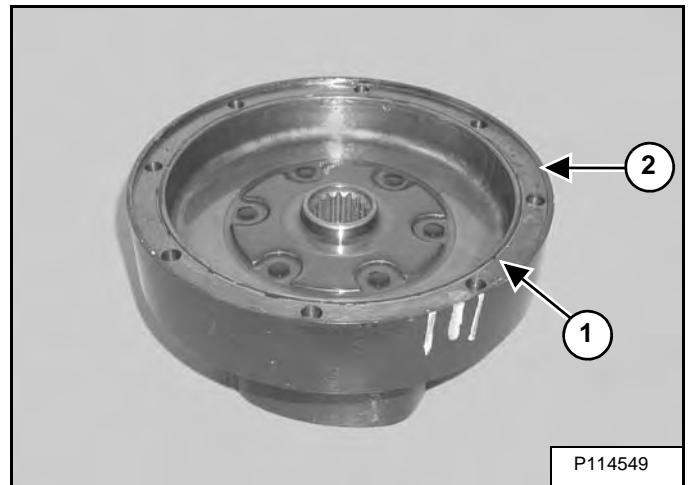
Remove the sun gear spacer (Item 1) [Figure 20-20-17].

Figure 20-20-18



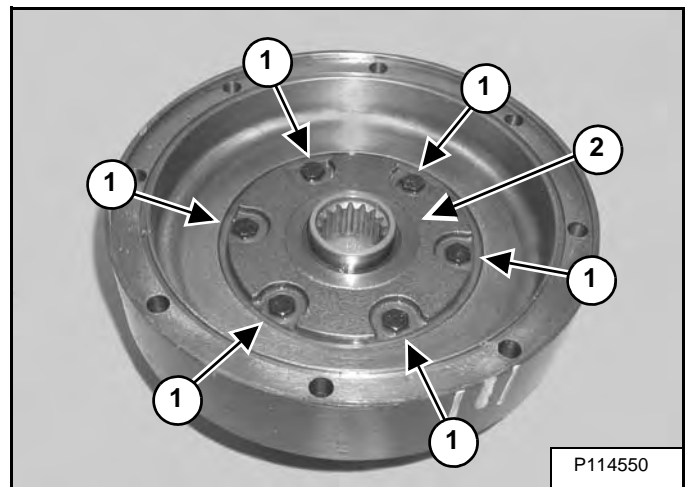
Remove the ring gear (Item 1) [Figure 20-20-18].

Figure 20-20-19



Remove the O-ring (Item 1) and gasket sealant (Item 2) [Figure 20-20-19].

Figure 20-20-20



Remove the six bolts (Item 1) and retainer (Item 2) [Figure 20-20-20].



Bobcat®

CLICK HERE TO **DOWNLOAD** THE COMPLETE MANUAL

- Thank you very much for reading the preview of the manual.
- You can download the complete manual from: www.heydownloads.com by clicking the link below



- Please note: If there is no response to CLICKING the link, please download this PDF first and then click on it.

CLICK HERE TO **DOWNLOAD** THE COMPLETE MANUAL