



MASSEY FERGUSON

→ MF 8400



AGCO - SA - Beauvais - France - RCB562104539
Massey Ferguson is a wholly owned subsidiary of AGCO Corporation

November 2007
3378567 M2
Issue 2
English

CLICK HERE TO **DOWNLOAD** THE COMPLETE MANUAL

- Thank you very much for reading the preview of the manual.
- You can download the complete manual from: www.heydownloads.com by clicking the link below



- Please note: If there is no response to CLICKING the link, please download this PDF first and then click on it.

CLICK HERE TO **DOWNLOAD** THE COMPLETE MANUAL

Introduction and warranty

Time amendment request

Name of distributor Date.....

Address

.....

RTS publication no. Failure code no.....

Machine model Serial no.....

We wish to dispute the time allocated for the failure code no. above and confirm that we have closely monitored and timed the operation, which has been carried out by a qualified technician, using the special tools and procedures recommended; our comments are detailed below:

Analysis of repair time		
Work carried out	Time	Comments
Removal of component		
Disassembly		
Cleaning and inspection		
Obtaining parts and tools		
Reassembly		
Refitting		
Adjusting and testing		
TOTAL TIME		
Number of mechanics used for this work		

Signature Name.....

Send to:

AGCO S.A.
Service Documentation Technique
Avenue Blaise Pascal
BP60307
60026 BEAUVAIS CEDEX
FRANCE



8400

50
60

70
80

Code



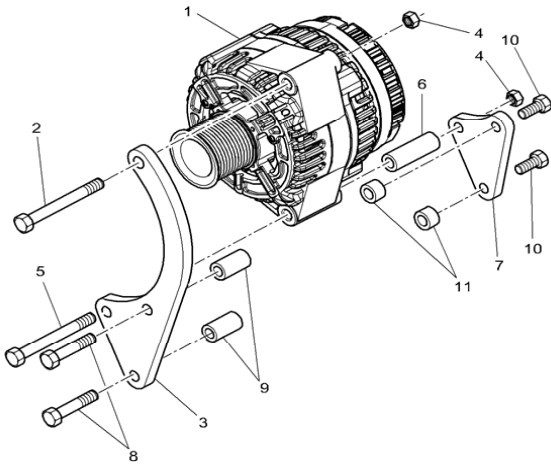
Description

ALTERNATOR & BRACKET

1-WA10-013-A

- • 1 14 01 02
- • 3 14 01 03

0,50 Alternator
0,50 Alternator support

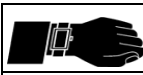

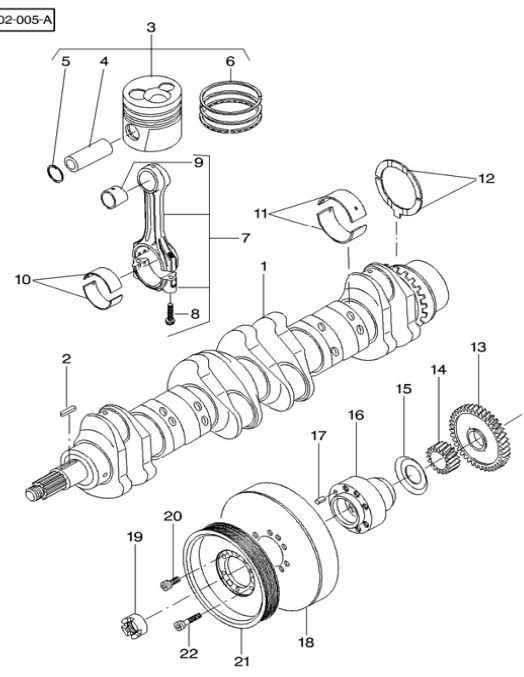


1-WA10-013-A / 1-WA10-010-A / 1-WA10-014-A / 1-WC35-005-B / 1-WC35-005-C

MF 8400 - Issue 2

ENGINE AND EQUIPMENT

10-6

 8400	50	70	Code		Description
CRANKSHAFT, PISTONS AND CONNECTING RODS					
 <p>1-WH02-005-A</p>	•	•	1 74 01 00	38,00	Crankshaft
	•		3 73 08 00	19,50	Piston
	•		73 08 01	1,50	Additional piston
	•		4 73 07 00	19,50	Gudgeon pin
	•		73 07 01	1,50	Additional gudgeon pin
	•		5 73 12 00	19,50	Gudgeon pin circlip
	•		73 12 01	1,50	Additional gudgeon pin circlip
	•		6 73 09 00	19,50	Piston ring kit
	•		73 09 01	1,50	Additional set of rings
	•		7 73 01 00	19,00	Connecting rod
	•		73 01 01	1,25	Additional connecting rod
	•		9 73 04 00	19,50	Connecting rod small end bush
	•		73 04 01	1,50	Additional connecting rod small end bush
	•		10 73 05 00	11,00	Connecting rod big end shells
	•		11 74 07 00	11,50	Main bearing shells
	•		12 74 09 00	38,00	Thrust washer
	•		13 74 17 00	31,00	Oil pump gear
	•		14 75 11 00	20,00	Crankshaft gear
	•		15 74 01 04	20,00	Oil deflector
	•		16 74 01 02	16,00	Splined hub
	•		18 74 06 00	15,50	Damper
	•		19 74 01 01	1,50	Crankshaft nut
	•		20 74 11 00	0,50	Crankshaft pulley screw
	•		21 74 08 00	15,50	Crankshaft pulley
	•		22 74 11 00	0,50	Crankshaft pulley screw
				3,00	Addition for 3,5 T front linkage
				4,00	Addition for 5 T front linkage
				1,50	Addition for centre weight
1-WH02-005-A	MF 8400 - Issue 2 ENGINE AND EQUIPMENT 10-16				



8400

50
60

70
80

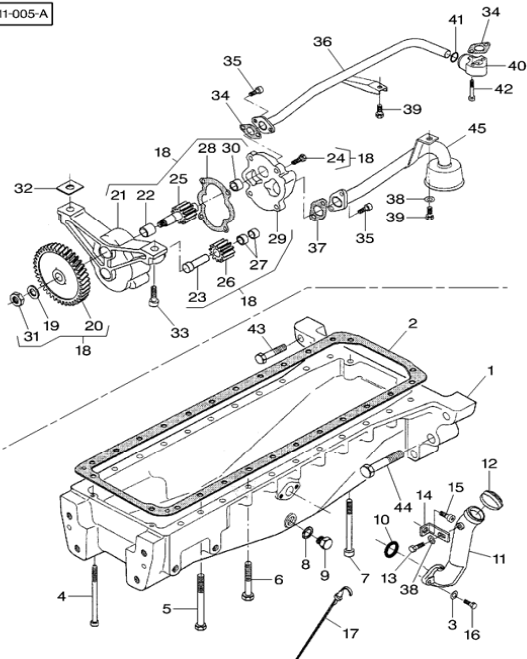
Code



Description

LUBRICATING OIL SUMP

1-WH11-005-A



- 1 76 01 00 9,50 Oil sump
- 2 76 08 00 9,50 Housing / engine block gasket
- 9 56 12 00 0,75 Drain plug
- 11 58 49 00 0,75 Filler pipe / seal
- 17 56 02 00 0,25 Dipstick
- 18 76 06 00 10,00 Oil pump
- 20 76 13 00 10,00 Oil pump gear
- 34 76 60 00 10,00 Seal
- 36 76 04 00 10,00 Feed pipe
- 37 76 60 02 10,00 Suction pipe seal
- 45 76 05 00 10,00 Suction strainer

- 3,00 Addition for 3,5 T front linkage
- 4,00 Addition for 5 T front linkage
- 1,50 Addition for centre weight

1-WH11-005-A / 1-WH11-006-A

MF 8400 - Issue 2

ENGINE AND EQUIPMENT

10-26



8400

50
60

70
80

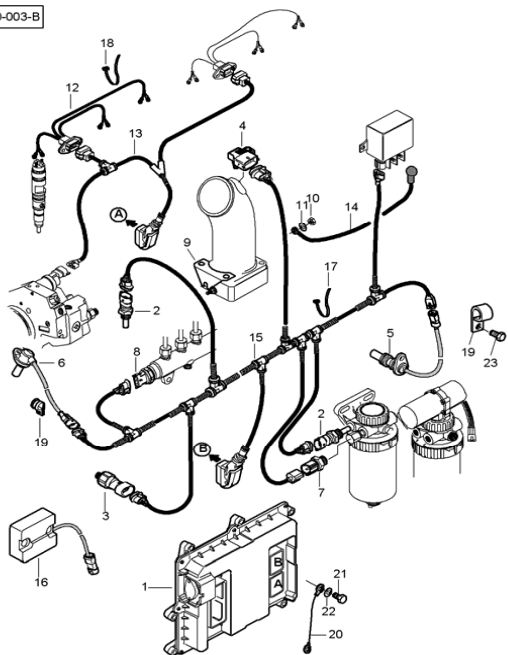
Code



Description

ELECTRONIC ENGINE MANAGEMENT

1-WH40-003-B



- • 1 59 23 01
- • • 2 59 23 06
- • • 59 23 37
- • • 3 59 23 02
- • • 4 59 23 27
- • • 5 59 23 03
- • • 6 59 23 28
- • • 7 59 23 05
- • • 8 59 23 29
- • • 9 59 23 30
- • • 12 59 23 31
- • • 13 59 23 32
- • • 14 59 23 20
- • • 15 59 23 33
- • • 16 79 23 01

- 0,75 Engine electronic calculator
- 0,50 Water temperature sensor
- 0,50 Fuel temperature sensor
- 0,50 Oil pressure sensor
- 0,50 Boost pressure sensor
- 0,50 Engine speed sensor
- 1,00 Camshaft speed sensor
- 0,50 Fuel pressure sensor
- 0,50 Rail pressure sensor
- 0,50 Earth connection
- 6,25 Injector harness
- 0,75 Engine harness A
- 0,50 Grid heater wire
- 1,50 Engine harness B
- 1,50 ID module

1-WH40-003-B



8400

50
60

70
80

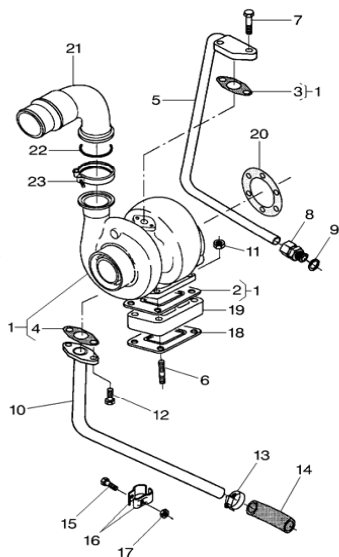
Code



Description

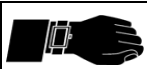
TURBOCHARGER PIPES

1-WH24-002-A



- 1 78 26 00 2,00 Turbocharger
- 2 78 64 03 2,00 Seals
- 3 78 64 01 0,25 Seal
- 5 78 27 00 0,50 Lubricating pipe
- 10 78 28 00 0,50 Oil return pipe
- 14 58 26 17 0,25 Turbocharger oil return hose
- 18 78 64 03 2,00 Seals
- 19 58 64 11 2,00 Flange
- 20 78 64 02 1,00 Seal
- 21 72 06 05 0,25 Hose

1-WH24-002-A



8400

50
60

70
80

Code



Description

HEATER ENGINE BLOCK

1-WC38-004-A

•

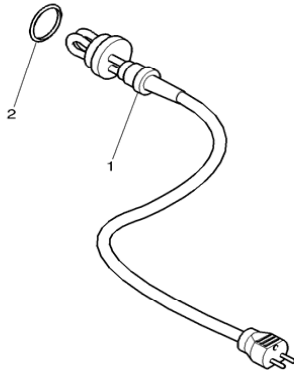
•

1

14 02 84

1,50

Transmitter



1-WC38-004-A

MF 8400 - Issue 2

ENGINE AND EQUIPMENT

10-56



8400

50
60

70
80

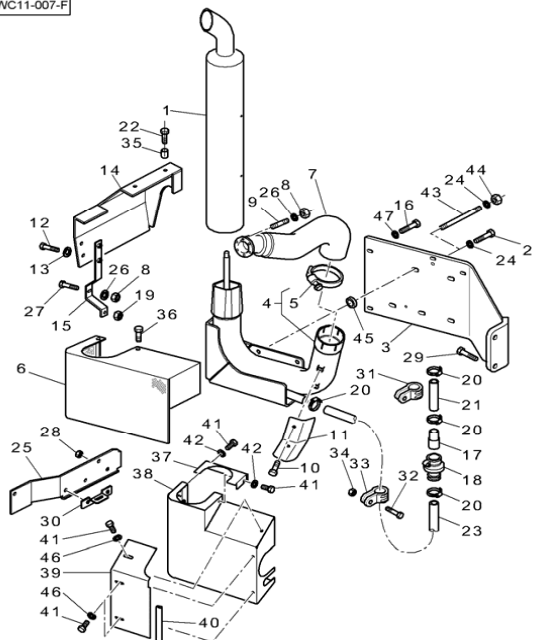
Code



Description

VERTICAL EXHAUST ON THE SIDE

1-WC11-007-F



- • 1 58 56 11 0,50 Exhaust pipe
- • 3 58 56 05 1,25 Support
- • 4 58 56 08 1,25 Exhaust elbow
- • 6 78 56 09 0,25 Shield
- • 7 78 56 01 1,75 Elbow union
- • 11 58 56 40 0,25 Shield
- • 14 58 56 30 0,25 Shield
- • 18 58 56 10 0,25 Non-return valve
- • 21 58 56 32 0,25 Hose
- • 23 58 56 09 0,25 Suction hose
- • 38 78 56 09 0,25 Shield

1-WC11-007-F / 1-WC11-007-D

MF 8400 - Issue 2

ENGINE AND EQUIPMENT

10-66



8400

50
60

70
80

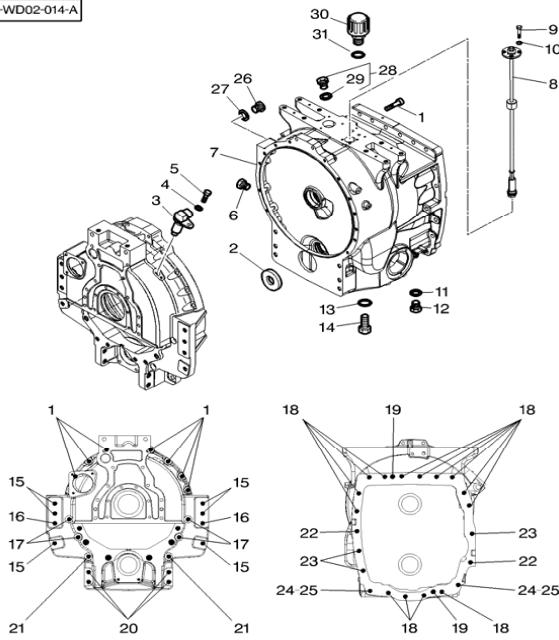
Code



Description

FRONT SPACER

1-WD02-014-A



- • 2 27 06 53
- • • 3 60 30 19
- • • • 7 27 06 54
- • • • 8 60 30 82
- • • 30 27 00 12

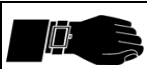
- 31,75 Disc
- 0,25 Engine speed sensor
- 33,50 Spacer
- 8,00 Transmitter
- 1,75 Breather pipe
- 1,50 Addition for 5 T front linkage

1-WD02-014-A

MF 8400 - Issue 2

CLUTCH

20-4



8400

50
60

70
80

Code



Description

TRANSMISSION CONTROL EMERGENCY CONTROL - DRIVE LINE

1-WG77-002-A

•

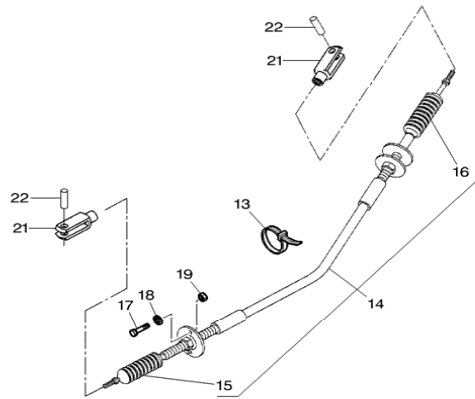
•

14

27 05 03

3,50

Gear control cable



1-WG77-002-A

MF 8400 - Issue 2

TRANSMISSION

25-8



8400

50
60

70
80

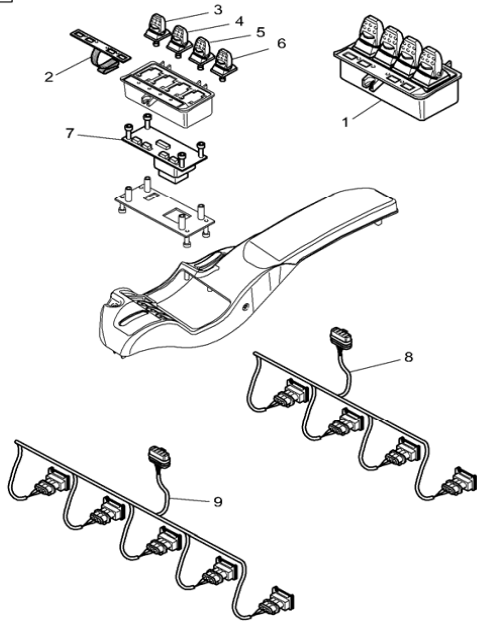
Code



Description

MODULE FINGERTIP FOR DISTRIBUTOR WITH ELECTRODYNAMIQUE CONTROL

1-WP17-003-A



•	•	1	60 43 01	1,00	Fingertip module
•	•	8	60 40 94	1,00	SMS spool valve harness
•	•	9	60 40 94	1,00	SMS spool valve harness

1-WP17-003-A / 1-WP17-001-A

MF 8400 - Issue 2

TRANSMISSION

25-18



8400

50
60

70
80

Code



Description

BEVEL DRIVE

1-WG71-004-A

•

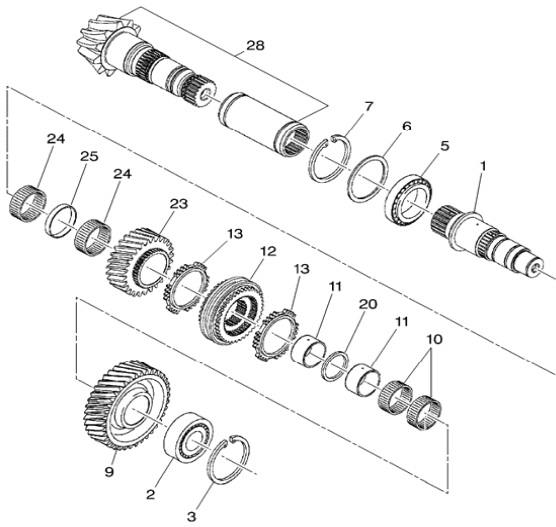
•

28

27 01 01

57,00

Drive pinion / ring gear assembly



1-WG71-004-A

MF 8400 - Issue 2

REAR AXLE

30-9



8400

50
60

70
80

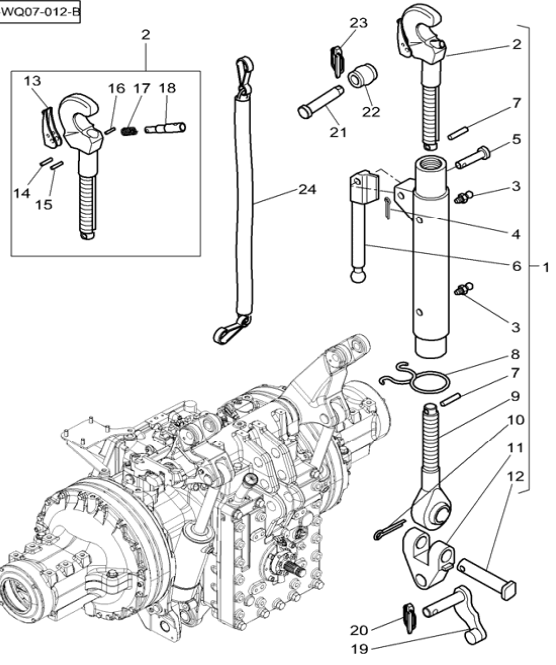
Code



Description

TOP LINK WITH HOOK END

1-WQ07-012-E



- • 1 32 01 00
- • • 2 32 01 29
- • • 6 32 01 26
- • • 9 32 01 61
- • • 11 32 01 62
- • • 12 32 01 62
- • • 19 32 01 64
- • • 20 32 01 64
- • • 21 32 01 47
- • • 22 32 01 24

- 0,25 Top bar assembly
- 0,50 Hooked rod
- 0,50 Handle
- 0,25 Ball joint
- 0,25 Clevis and pin
- 0,25 Clevis and pin
- 0,25 Pin and hitch pin
- 0,25 Pin and hitch pin
- 0,25 Pin and hitch pin
- 0,25 Pin
- 0,25 Ball joint

1-WQ07-012-B



8400

50
60

70
80

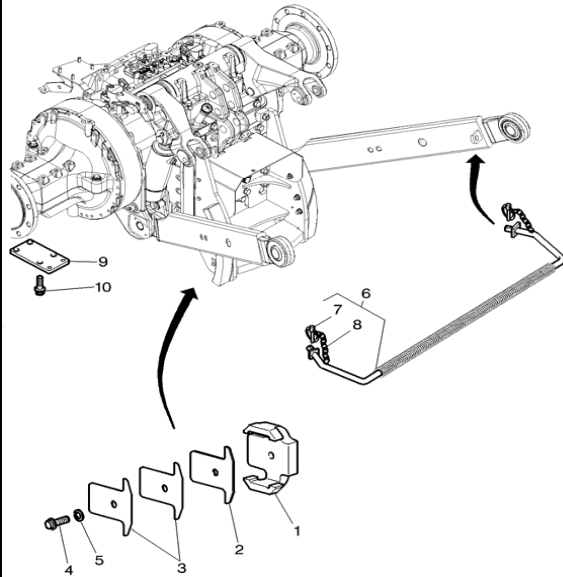
Code



Description

SHOE STABILIZERS

1-WQ15-004-B



- • 1 32 01 49 0,25 Stabiliser block
- • 2 32 01 49 0,25 Stabiliser block
- • 3 32 01 49 0,25 Stabiliser block
- • 6 32 01 58 0,25 Lower link spacer / spring / rod
- • 9 32 01 11 0,50 Kit lock

1-WQ15-004-B

MF 8400 - Issue 2

LINKAGE

40-14



8400

50
60

70
80

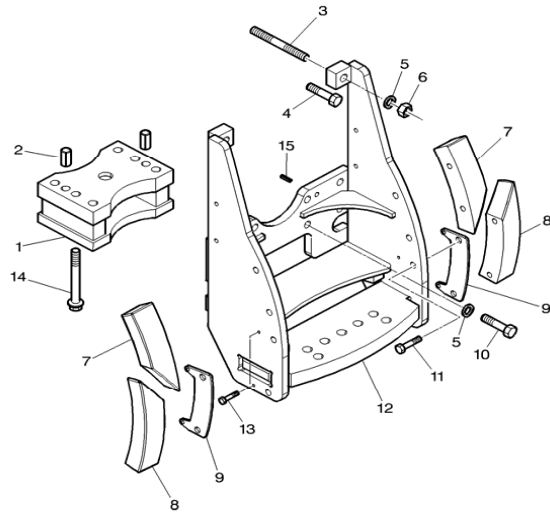
Code



Description

SWINGING DRAWBAR SUPPORT

1-WQ36-024-A



- • 1 32 02 26
- • 7 32 01 50
- • 8 32 01 50
- • 12 32 02 22

- 0,50 Front bearing
- 0,25 Stabiliser blocks
- 0,25 Stabiliser blocks
- 0,75 Drawbar frame

1-WQ36-024-A / 1-WQ36-026-A / 1-WQ36-030-B

MF 8400 - Issue 2

LINKAGE

40-24



8400

50
60

70
80

Code

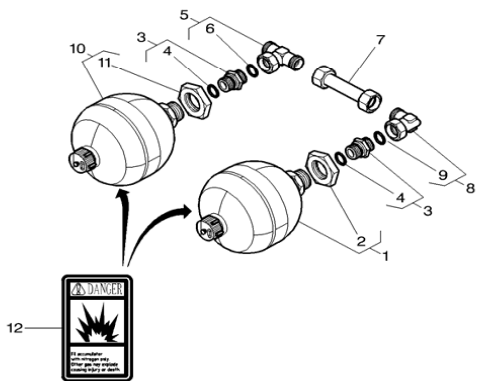


Description

FRONT LINKAGE HYDRAULIC

1-WQ39-019-A

- • 1 34 10 21 2,75 Accumulator
- • 7 34 10 73 1,50 Union
- • 10 34 10 21 2,75 Accumulator



1-WQ39-019-A



8400

50
60 70
80

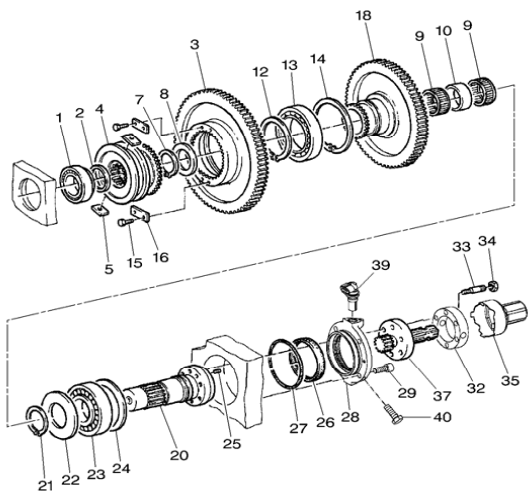
Code



Description

ENGINE P . T . O FLANGE - BRIDLE

1-WG78-002-A



- • 1 29 03 82 11,50 Bearing
- • 2 29 03 83 11,50 Washer
- • 3 29 03 77 11,00 PTO clutch pinion
- • 4 29 01 24 11,50 Sliding coupler
- • 5 29 01 25 8,75 Pads
- • 7 29 01 53 11,50 Splined ring
- • 8 29 01 53 11,50 Splined ring
- • 9 29 03 84 12,00 Needle bearing cage
- • 12 29 03 85 11,00 Circlip
- • 13 29 03 86 11,00 Bearing
- • 14 29 03 87 11,00 Circlip
- • 18 29 01 34 11,50 Pinion (1000 rpm)
- • 20 29 01 76 12,00 Output flanged PTO shaft
- • 21 29 03 88 11,75 Circlip
- • 22 29 03 92 11,75 Thrust washer
- • 23 29 01 21 12,00 Ball bearing
- • 24 29 03 89 12,00 Adjustment shim
- • 26 29 01 17 1,50 Oil seal / deflector
- • 27 29 01 44 1,50 O'ring
- • 28 29 01 18 1,50 PTO unit
- • 32 29 03 90 0,50 Spacer
- • 33 29 03 91 0,50 Stud
- • 35 29 01 58 0,25 Protector
- • 37 19 01 42 0,50 PTO output shaft
- • 39 60 30 52 0,50 PTO output shaft speed sensor

1-WG78-002-A



8400

50
60

70
80

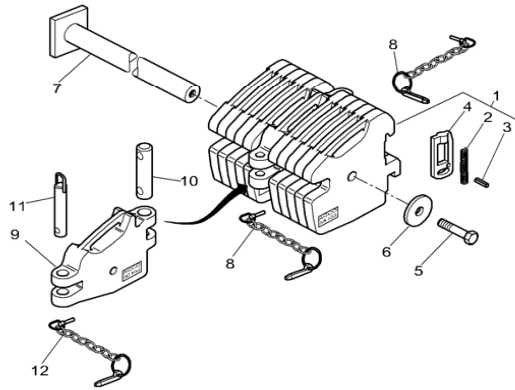
Code



Description

WEIGHT FRAME AND TOW PIN

1-WX15-009-B



•	•	1	34 12 08	0,50	Front weights
•	•	4	34 12 05	0,25	Lock
•	•	7	34 12 13	0,25	Flange
•	•	8	34 12 06	0,25	Pin
•	•	9	34 12 11	0,50	Front weights
•	•	12	34 12 06	0,25	Pin

1-WX15-009-B / 1-WX15-009-A

MF 8400 - Issue 2

FRONT AXLE

60-5



8400

50
60

70
80

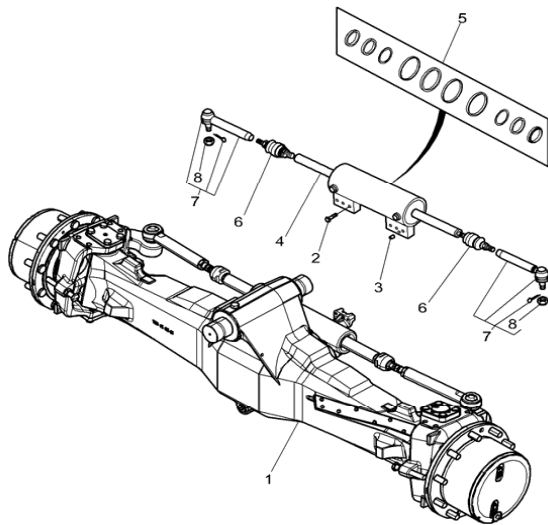
Code



Description

FRONT AXLE 4 WHEEL DRIVE

1-WK01-006-B



- 1 25 18 00
- 4 25 18 29
- 5 25 18 46
- 6 25 18 31
- 7 25 18 30

- 5,50 Front axle assembly
- 1,50 Steering ram
- 3,50 Seals and rings
- 1,75 Sleeve
- 1,50 Steering ball joint
- 3,00 Addition for 3,5 T front linkage
- 4,00 Addition for 5 T front linkage

1-WK01-006-B



8400

50
60

70
80

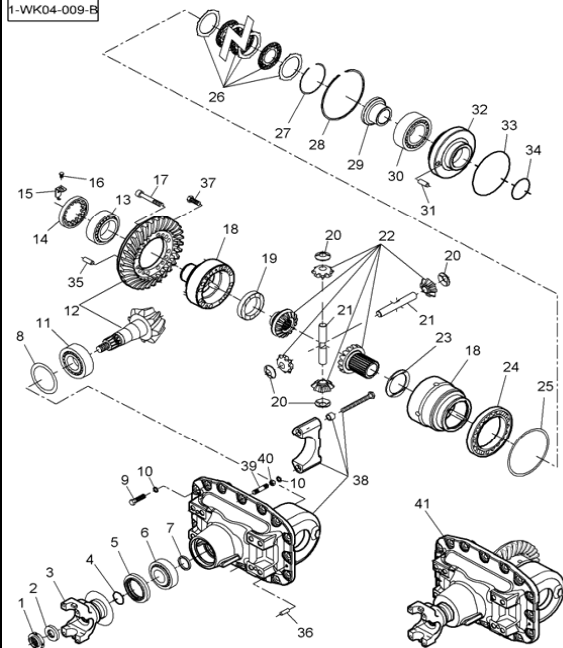
Code



Description

FRONT AXLE 4 WHEEL DRIVE DIFFERENTIAL

1-WK04-009-B



•	1	25 21 79	2,00	Nut
•	2	25 21 77	2,00	Washer
•	3	25 21 78	2,00	Coupling
•	4	25 21 85	2,00	O'ring
•	5	25 21 80	2,00	Cassette seal
•	6	25 21 76	13,25	Bearing
•	7	25 21 74	2,00	Spacer
•	8	25 18 73	13,25	Washer / spacer
•	11	25 21 68	13,25	Bearing
•	12	25 21 83	13,25	Crownwheel / pinion assembly
•	13	25 21 62	13,25	Bearing
•	14	25 21 63	10,50	Castellated nut
•	15	25 21 64	10,50	Retainer
•	18	25 21 61	13,25	Differential housing
•	19	25 21 60	11,00	Washer
•	20	25 21 59	11,75	Washer
•	21	25 21 56	11,75	Pin
•	22	25 21 54	11,75	Sun gear
•		25 21 58	11,75	Differential gear
•	23	25 21 60	11,75	Washer
•	24	25 21 87	11,75	Bearing
•	25	25 21 88	11,75	Shim
•	26	25 21 53	11,75	Clutch disc
•	27	25 21 90	11,75	Snap ring
•	28	25 21 92	11,75	Snap ring
•	29	25 21 89	11,75	Flange
•	30	25 21 91	11,75	Bearing
•	32	25 21 50	11,75	Differential lock piston
•	33	25 21 93	11,75	O'ring
•	34	25 21 94	11,75	O'ring
•	38	25 21 73	13,25	Differential support
•	41	25 18 74	10,25	Differential assembly

1,50 Addition for 5 T front linkage

1-WK04-009-B

MF 8400 - Issue 2

FRONT AXLE

60-25



8400

50
60

70
80

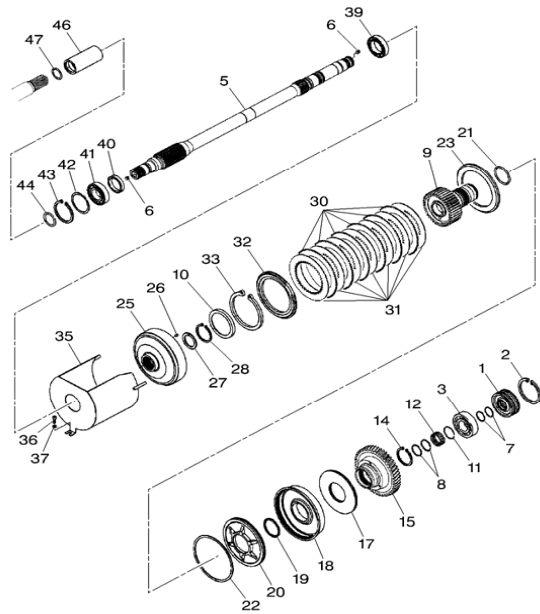
Code



Description

FRONT AXLE 4 WHEEL DRIVE CLUTCH

1-WK15-011-A



•	•	5	29 05 10	43,50	4WD shaft
•	•	9	29 05 06	45,50	Hub
•	•	15	29 05 99	45,50	4WD pinion
•	•	17	29 05 04	45,50	Belleville washer
•	•	18	29 05 21	45,50	Bell housing
•	•	19	29 05 07	45,50	O'rings
•	•	20	29 05 08	45,50	Cover
•	•	22	29 05 07	45,50	O'rings
•	•	23	29 05 47	45,50	Plate
•	•	25	29 05 11	45,50	Bell gear
•	•	30	29 05 02	45,50	Plates
•	•	31	29 05 03	45,50	Discs
•	•	33	29 05 48	45,50	Circlip
•	•	39	29 05 49	45,50	Bearing
•	•	41	29 05 50	35,00	Bearing
•	•	43	29 05 51	35,00	Circlip
•	•	46	29 07 01	31,50	Bush
				1,50	Addition for 5 T front linkage

1-WK15-011-A

MF 8400 - Issue 2

FRONT AXLE

60-35

CLICK HERE TO **DOWNLOAD** THE COMPLETE MANUAL

- Thank you very much for reading the preview of the manual.
- You can download the complete manual from: www.heydownloads.com by clicking the link below



- Please note: If there is no response to CLICKING the link, please download this PDF first and then click on it.

CLICK HERE TO **DOWNLOAD** THE COMPLETE MANUAL



8400

50
60

70
80

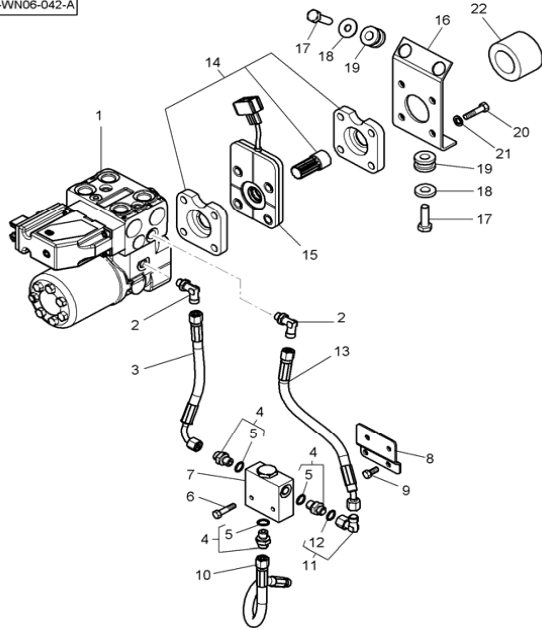
Code



Description

STEERING HYDRAULIC LINES

1-WN06-042-A



- • 1 17 01 18
- • • 2 22 14 56
- • • 3 22 04 55
- • • 7 22 14 89
- • • 10 22 14 90
- • • 13 22 14 91
- • • 14 22 14 92
- • • 15 22 14 93
- • • 16 22 14 94
- • • 22 22 14 95

- 3,75 Hydrostatic steering unit
- 0,75 Union
- 1,00 XLS line - steering
- 1,75 Priority valve
- 2,00 Hose
- 2,00 Hose
- 3,50 Control pin
- 3,50 Sensor
- 3,50 Support
- 3,50 Sleeve

1-WN06-042-A

MF 8400 - Issue 2

HYDRAULICS

70-8



8400

50
60

70
80

Code

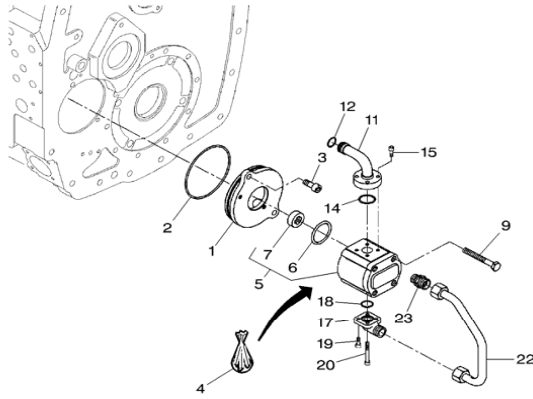


Description

FEED PUMP SYSTEM COMFORT

1-WG92-001-A

- • 1 21 26 61 13,75 Cover
- • 2 21 26 62 13,75 O'ring
- • 4 22 01 04 14,00 Hydraulic pump overhaul
- • 5 22 01 03 13,25 Hydraulic pump
- • 11 21 26 63 13,00 Union
- • 22 21 26 64 9,50 Pipe



1-WG92-001-A

MF 8400 - Issue 2

HYDRAULICS

70-18



8400

50
60

70
80

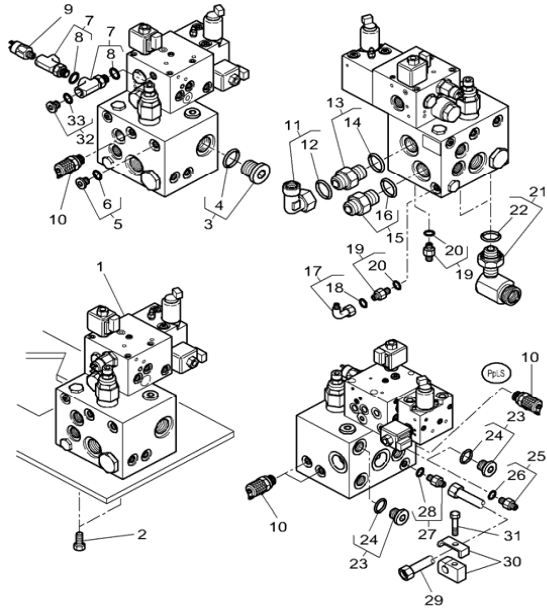
Code



Description

HYDRAULIQUE MANIFOLD

1-WP25-005-C



- • 1 21 26 36
- • 9 60 30 87
- • 29 22 14 96

10,00 Hydraulic distribution valve block
 0,50 Pressure switch
 1,50 Pipe

1-WP25-005-C / 1-WP25-003-B

MF 8400 - Issue 2

HYDRAULICS

70-28



8400

50
60

70
80

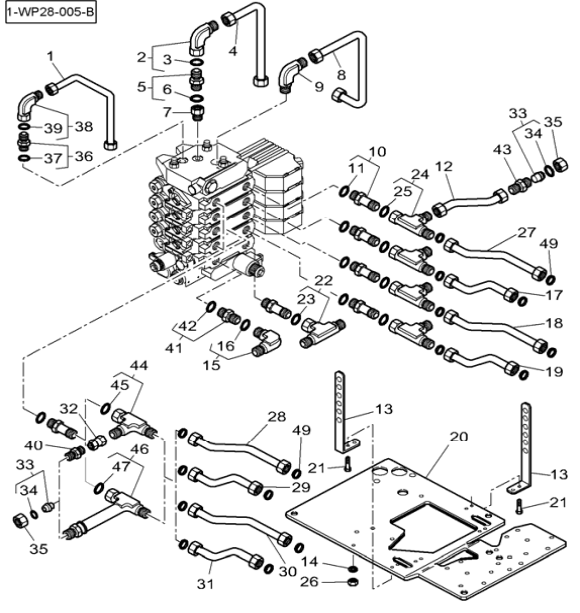
Code



Description

AUXILIARY DISTRIBUTORS INSTALLATION

1-WP28-005-B



- • 1 22 02 79 0,50 Auxiliary spool valve pipe
- • 4 22 02 80 1,00 Auxiliary spool valve pipe
- • 8 22 02 77 1,75 Auxiliary spool valve pipe
- • 12 22 04 99 1,50 Pipe
- • 17 22 04 60 2,50 Pipe
- • 18 22 04 60 2,50 Pipe
- • 19 22 04 60 2,50 Pipe
- • 20 22 02 74 8,50 Spool valve support
- • 27 22 04 60 2,50 Pipe
- • 28 22 04 60 2,50 Pipe
- • 29 22 04 60 2,50 Pipe
- • 30 22 04 60 2,50 Pipe
- • 31 22 04 60 2,50 Pipe

1-WP28-005-B / 1-WP28-007-D

MF 8400 - Issue 2

HYDRAULICS

70-38



8400

50
60

70
80

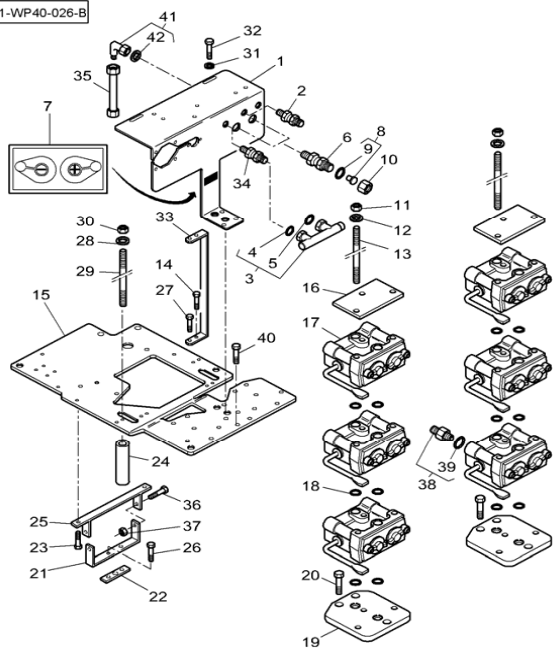
Code



Description

HYDRAULIC COUPLING

1-WP40-026-B



- 1 22 02 73 1,50 Spool valve support
- 3 22 12 68 0,50 Union
- 13 22 12 31 0,25 Stud
- 15 22 02 74 8,50 Spool valve support
- 16 22 12 25 0,25 Plate
- 17 22 12 18 2,00 Quick coupler assembly
- 19 22 12 26 2,25 Support
- 29 22 12 31 0,25 Stud
- 35 22 12 64 1,00 Pipe

1-WP40-026-B



8400

50
60

70
80

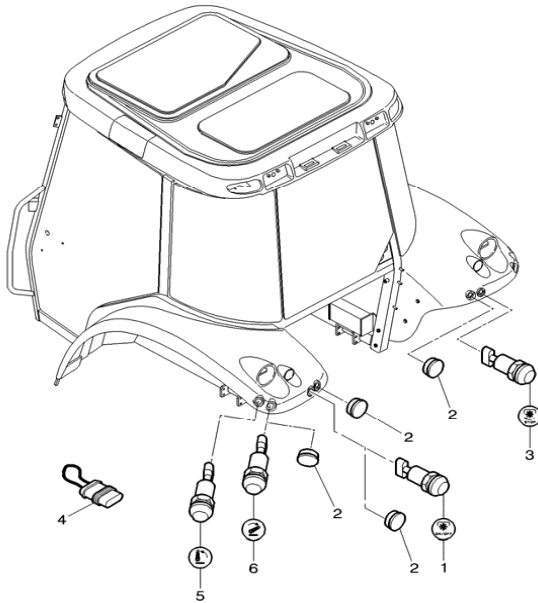
Code



Description

EXTERNAL CONTROLS FITTED ON THE REAR FENDERS

1-WU22-001-C



•	•	1	60 40 02	0,50	Remote control button
•	•	3	60 40 02	0,50	Remote control button
•	•	4	60 40 49	0,50	PTO stop shunt
•	•	5	60 40 02	0,50	Remote control button
•	•	6	60 40 02	0,50	Remote control button
			14 01 00	0,75	Electrical fault diagnostics

1-WU22-001-C / 1-WU22-006-A

MF 8400 - Issue 2

ELECTRIC EQUIPMENT & INSTRUMENT PANEL

80-5



8400

50
60

70
80

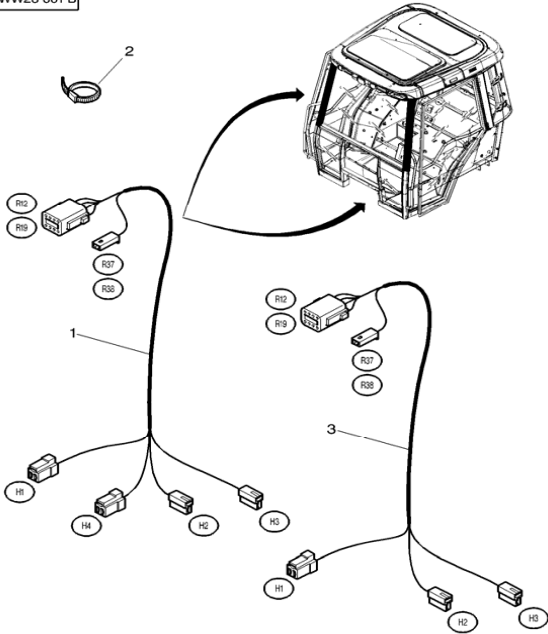
Code



Description

FIELD LIGHTS HARNESS

1-WW28-001-B



1-WW28-001-B

MF 8400 - Issue 2

ELECTRIC EQUIPMENT & INSTRUMENT PANEL

80-15

•	•	1	14 00 09	1,50	Handrail harness
•	•	3	14 00 10	1,50	Handrail harness
			14 01 00	0,75	Electrical fault diagnostics



8400

50
60

70
80

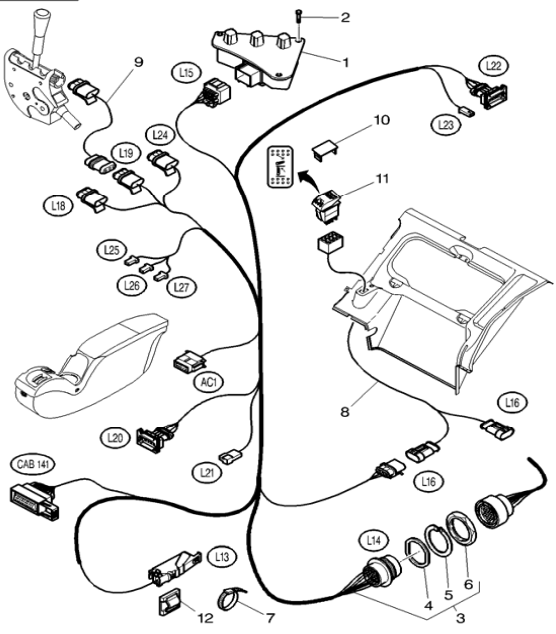
Code



Description

ELECTRONIC LIFT MAIN HARNESS

1-WP33-017-B



- • 1 60 40 24 0,25 Electronic control assembly
- • 3 60 60 13 3,50 Linkage harness
- • 8 60 40 47 0,50 Internal control harness
- • 9 60 60 49 0,50 Harness
- • 11 60 60 14 0,25 Linkage switch

14 01 00

0,75

Electrical fault diagnostics

1-WP33-017-B / 1-WP33-028-B



8400

50
60

70
80

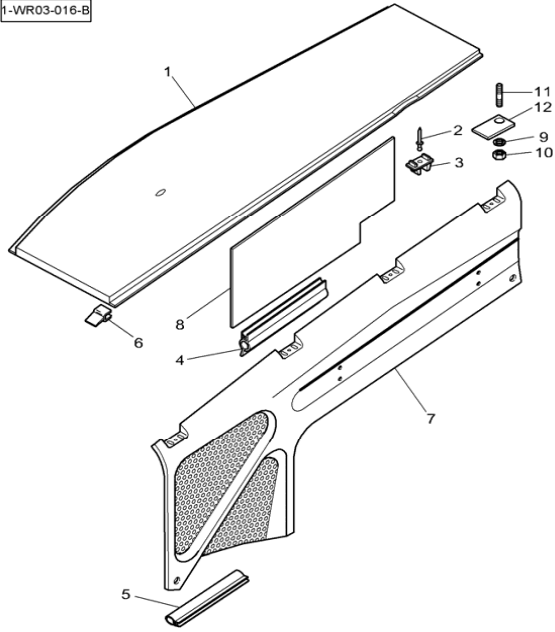
Code



Description

SHEET METAL HOOD

1-WR03-016-B



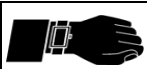
•	•	1	28 02 04	2,00	Bonnet
•	•	5	28 00 71	0,25	Seal
•	•	7	28 02 05	1,00	Left-hand side panel
•	•		28 02 10	1,50	Right-hand side panel
•	•	8	28 02 73	0,75	Protective plate

1-WR03-016-B / 1-WR03-016-A

MF 8400 - Issue 2

SHEET METAL

100-2



8400

50
60

70
80

Code



Description

SUSPENDED CAB CONTROL UNIT

1-WU46-004-A

•

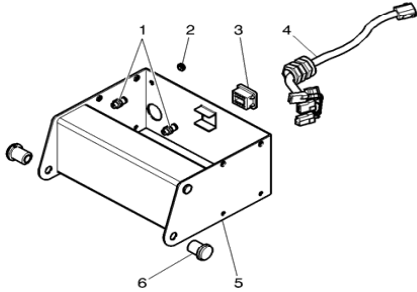
•

4

28 12 74

3,00

Cab suspension harness



1-WU46-004-A

MF 8400 - Issue 2

TRACTOR CAB

110-5



8400

50
60

70
80

Code



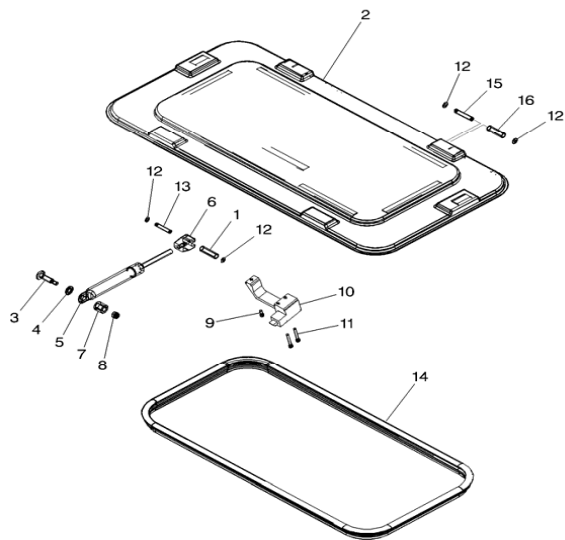
Description

AIR HATCHWAY

1-WU43-001-A

- • 2 28 05 31
- • 5 28 05 05
- • 6 28 05 06
- • 10 28 05 03
- • 14 28 05 04

- 0,75 Roof hatch
- 0,25 Roof hatch ram
- 0,25 Ram support
- 0,25 Roof hatch handle
- 0,25 Roof hatch seal



1-WU43-001-A



8400

50
60

70
80

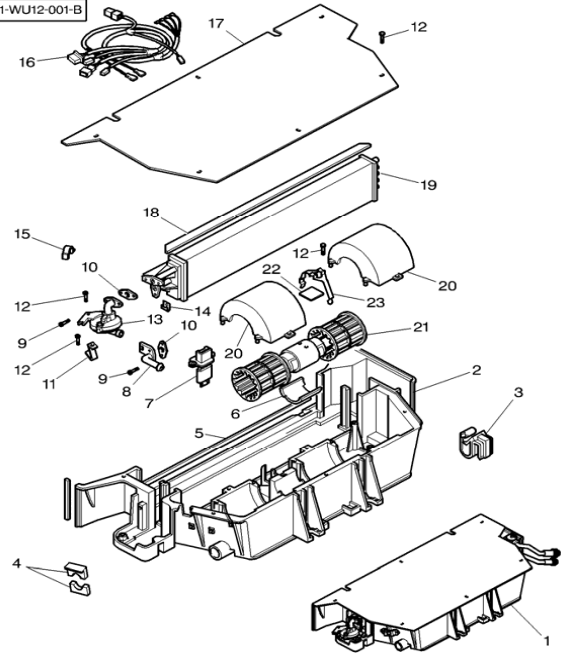
Code



Description

HEATER

1-WU12-001-B



- • 1 15 02 03 4,00
- • 7 15 02 22 0,75
- • 13 15 02 17 0,75
- • 16 15 02 05 1,50
- • 17 15 02 09 0,50
- • 19 15 02 12 2,50
- • 20 15 02 06 0,75
- • 21 15 02 07 1,25
- • 23 28 04 80 1,25

Air conditioning unit
Resistance
Tap
Air conditioning / heating harness
Air conditioning unit plate
Heater radiator
Air conditioning cover
Fan
Spring circlip

1-WU12-001-B / 1-WU13-001-B

MF 8400 - Issue 2

TRACTOR CAB

110-25



8400

50
60

70
80

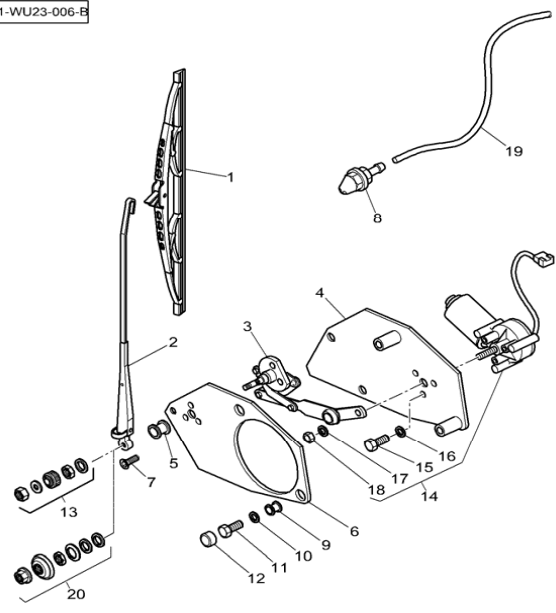
Code



Description

FRONT WINDSCREEN WIPER

1-WU23-006-B



- • 1 28 02 36
- • 2 28 02 35
- • 3 28 02 54
- • 4 28 04 16
- • 6 28 04 17
- • 8 28 02 25
- • 14 14 01 15
- • 19 28 02 27

- 0,25 Front wiper blade
- 0,25 Front wiper arm
- 2,00 Wiper pin
- 2,00 Wiper support
- 2,00 Wiper support
- 0,25 Front nozzle
- 1,75 Front wiper motor
- 0,75 Nozzle pipe

1-WU23-006-B



8400

50
60

70
80

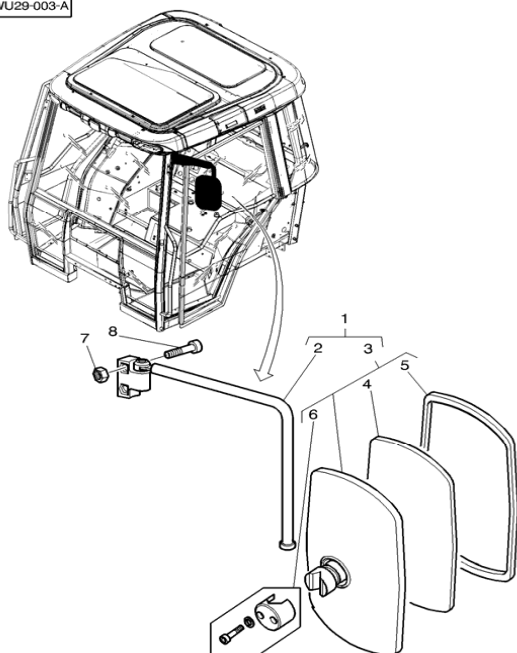
Code



Description

EXTERNAL MIRRORS

1-WU29-003-A



- • 2 28 05 17
- • 3 28 05 18
- • 4 28 05 90

- 0,25 Rear-view mirror support
- 0,25 External rear-view mirror
- 0,25 Rear view mirror reflector

1-WU29-003-A



8400

50
60

70
80

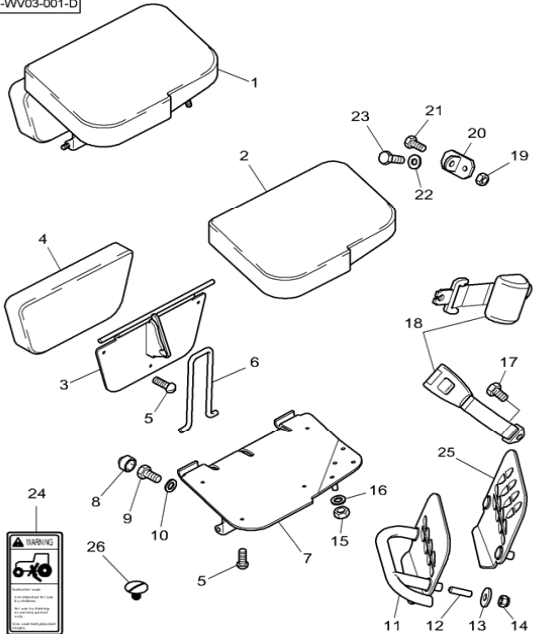
Code



Description

SECONDARY SEAT

1-WV03-001-D



- • 1 28 06 05 0,50 Secondary seat
- • 11 28 06 06 0,25 Footrest
- • 18 28 06 07 0,50 Seat belt

1-WV03-001-D / 1-WV03-001-C



8400

50
60

70
80

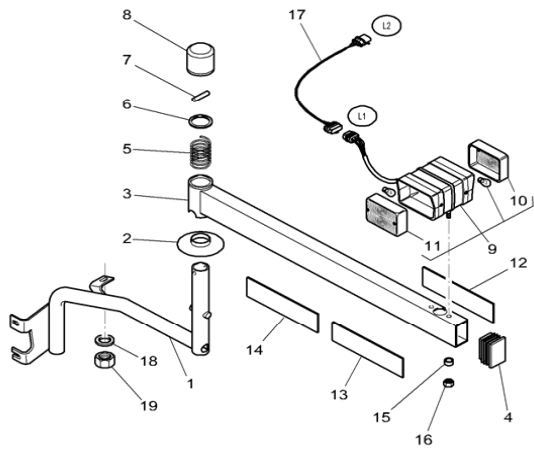
Code



Description

LIGHTING EQUIPMENT REAR

1-VW03-001-C



- • 1 14 00 33 0,50 Rear light support
- • 3 14 00 34 0,50 Rear light support
- • 5 14 00 35 0,25 Rear light support spring
- • 7 14 00 36 0,25 Rear light support pin
- • 9 14 00 37 0,25 Rear light
- • 17 14 00 87 1,00 Lights adapter harness

1-VW03-001-C

MF 8400 - Issue 2

LIGHTING EQUIPMENT

120-9



8400

50
60

70
80

Code



Description

REAR WHEELS

1-WM01-004-C

•

•

1

25 07 35

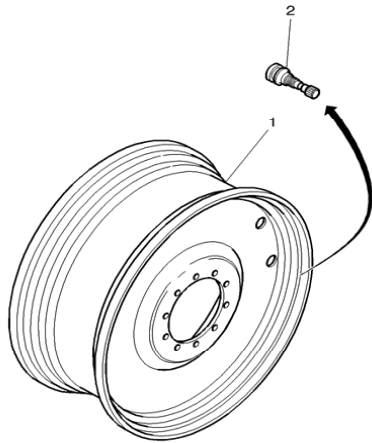
1,50

Welded steel wheel

25 07 99

0,50

Touch-up (paint)



1-WM01-004-C / 1-WM01-008-B / 1-WM01-009-A / 1-WM01-016-A

MF 8400 - Issue 2

RIMS AND WHEELS WEIGHTS

130-8



FAILURE CODE INDEX

Code	Description	Page
15 01 28	Condenser / compressor hose	10-62
15 01 29	Compressor hose	10-62
15 01 30	Drier hose	10-62
15 01 32	Condenser / drier hose	10-62
15 01 33	Condenser	10-62
15 01 43	Pipe assembly	110-27, 110-28, 110-29
15 01 44	Air conditioning hose	110-29, 110-30, 110-31
15 01 45	Air conditioning tee union	110-29, 110-30, 110-31
15 01 46	Air conditioning tee union	110-29, 110-30, 110-31
15 01 47	Air conditioning hose	110-29, 110-30, 110-31
15 01 48	Air conditioning hose	110-29, 110-30, 110-31
15 01 49	Air conditioning hose	110-29, 110-30, 110-31
15 01 51	Air conditioning hose	110-29, 110-30, 110-31
15 01 52	Heating hose	110-30, 110-31
15 01 53	Union	110-30, 110-31
15 01 54	Heating hose	110-30
15 01 55	Heating hose	110-31
15 01 59	Compressor carrier roller	10-62
15 01 60	Compressor carrier ring	10-62
15 01 62	Compressor clutch cover	10-63
15 01 63	Condenser bracket	10-62
15 01 64	Plate	10-62
15 02 01	Air filter support	110-33
15 02 02	Air filter	110-33
15 02 03	Air conditioning unit	110-25, 110-27, 110-28, 110-29
15 02 05	Air conditioning / heating harness	110-25, 110-27, 110-28
15 02 06	Air conditioning cover	110-25, 110-27, 110-28
15 02 07	Fan	110-25, 110-27, 110-28
15 02 09	Air conditioning unit plate	110-25, 110-27, 110-28
15 02 10	Evaporator	110-27, 110-28
15 02 11	Regulator	110-27, 110-28
15 02 12	Heater radiator	110-25, 110-27, 110-28
15 02 14	Cab heating hose	110-26, 110-30, 110-31
15 02 15	Cab heating hose	110-26, 110-30, 110-31
15 02 16	Engine heating hose	10-54
15 02 17	Tap	110-25, 110-27, 110-28
15 02 21	Engine heating hose	10-54
15 02 22	Resistance	110-25, 110-27, 110-28
15 02 28	Heater pump	110-31, 110-32
15 02 30	Heating hose	110-31
15 02 36	Heater pump hose	110-32
15 02 37	Heater pump switch	110-32
15 02 41	Heating hose valve	10-54



FAILURE CODE INDEX

Code	Description	Page
25 21 36	Needle bearing	60-27, 60-28, 60-30, 60-31
25 21 37	Thrust washer	60-28, 60-31
25 21 47	Cover	60-23, 60-26
25 21 50	Differential lock piston	60-22, 60-25
25 21 52	Intermediate plate	60-22
25 21 53	Clutch disc	60-22, 60-23, 60-25, 60-26
25 21 54	Sun gear	60-22, 60-23, 60-25, 60-26
25 21 56	Pin	60-22, 60-23, 60-25, 60-26
25 21 58	Differential gear	60-22, 60-23, 60-25, 60-26
25 21 59	Washer	60-22, 60-23, 60-25, 60-26
25 21 60	Washer	60-22, 60-23, 60-25, 60-26
25 21 61	Differential housing	60-22, 60-23, 60-25, 60-26
25 21 62	Bearing	60-22, 60-23, 60-25, 60-26
25 21 63	Castellated nut	60-22, 60-23, 60-25, 60-26
25 21 64	Retainer	60-22, 60-25
25 21 67	Shim	60-22, 60-23, 60-26
25 21 68	Bearing	60-22, 60-23, 60-25, 60-26
25 21 73	Differential support	60-22, 60-23, 60-25, 60-26
25 21 74	Spacer	60-22, 60-25
25 21 76	Bearing	60-22, 60-23, 60-25, 60-26
25 21 77	Washer	60-22, 60-23, 60-25, 60-26
25 21 78	Coupling	60-22, 60-23, 60-25, 60-26
25 21 79	Nut	60-22, 60-23, 60-25, 60-26
25 21 80	Cassette seal	60-22, 60-23, 60-25, 60-26
25 21 83	Crownwheel / pinion assembly	60-22, 60-23, 60-25, 60-26
25 21 84	Final drive unit	60-27, 60-29, 60-30, 60-32
25 21 85	O'ring	60-22, 60-25
25 21 86	Serrated washer	60-22, 60-23, 60-26
25 21 87	Bearing	60-22, 60-25
25 21 88	Shim	60-22, 60-25
25 21 89	Flange	60-22, 60-23, 60-25, 60-26
25 21 90	Snap ring	60-22, 60-25
25 21 91	Bearing	60-22, 60-23, 60-25, 60-26
25 21 92	Snap ring	60-22, 60-25
25 21 93	O'ring	60-22, 60-25
25 21 94	O'ring	60-22, 60-25
25 21 95	Seal ring	60-23, 60-26
25 21 96	O'ring	60-23, 60-26
25 21 97	Bush	60-23, 60-26
25 21 99	Circlip	60-23, 60-26
25 22 00	Bush	60-23, 60-26
25 22 01	Piston	60-23, 60-26
25 22 02	Ring	60-23, 60-26



FAILURE CODE INDEX

Code	Description	Page
28 06 23	Seat support	110-50, 110-52
28 06 25	Plate	110-49, 110-51, 110-53
28 06 26	Parallelogram	110-49, 110-51, 110-53
28 06 27	Hoses	110-49, 110-51, 110-53
28 06 28	Switch / cable	110-49, 110-51, 110-53
28 06 29	Mounting plate	110-49, 110-51, 110-53
28 06 41	Fuse	110-48
28 06 42	Lever	110-49, 110-53
28 06 43	Damper	110-49, 110-51, 110-53
28 06 44	Seat swivel arm	110-49, 110-51, 110-53
28 06 45	Damper	110-49, 110-51, 110-53
28 06 46	Seat pocket	110-50, 110-52
28 06 47	Lever	110-50, 110-52
28 06 48	Seat adjustment system	110-50, 110-52
28 06 49	Lever	110-50
28 06 50	Handle	110-50, 110-52
28 06 51	Lever	110-52
28 06 52	Harness	110-52
28 06 53	Switch	110-52
28 06 54	Accumulator	110-53
28 06 55	Seat frame	110-52
28 06 56	CVT lever fork	25-12, 25-13, 25-14, 25-15, 25-16
28 06 57	CVT lever support	25-12, 25-13, 25-14, 25-15, 25-16
28 06 58	CVT lever stop plate	25-12, 25-13
28 06 60	Spring	25-12, 25-13, 25-14, 25-15, 25-16
28 06 61	Pin	25-12, 25-13, 25-14, 25-15, 25-16
28 06 62	Stop	25-12, 25-13
28 06 63	Depth setting knob	25-14, 25-15, 25-16
28 07 73	Decal	25-16
28 07 74	Adjustment plate	25-14, 25-15, 25-16
28 07 75	Knob	25-12, 25-13, 25-14, 25-15, 25-16
28 10 21	Lock	100-3
28 10 22	Frame	100-3
28 10 25	Bonnet support	100-3
28 10 26	Ram	100-3
28 10 27	Pipe	100-3
28 10 28	Support	100-3
28 10 29	Support	100-3
28 12 29	Cab mounting foot	110-1
28 12 30	Cab mounting plate	110-1, 110-2
28 12 31	Cab mounting plate	110-1, 110-2



FAILURE CODE INDEX

Code	Description	Page
58 10 00	Engine flywheel	20-2, 20-3
58 25 00	Adapter plate	20-1
58 26 17	Turbocharger oil return hose	10-46
58 31 04	Throttle pedal	10-71
58 31 06	Throttle lever	10-70
58 31 07	Throttle cable	10-70
58 31 08	Pin / washers	10-70
58 31 12	Boot	10-71
58 31 13	Throttle pedal support	10-71
58 31 14	Throttle pedal pin	10-71
58 31 15	Throttle lever pommel	10-70
58 31 16	Throttle handle support - tractor cab	10-70
58 31 19	Throttle sensor link	10-71
58 31 20	Shield	10-71
58 31 28	Throttle pedal swivel arm	10-71
58 31 29	Potentiometer link	10-71
58 31 30	Throttle pedal spring	10-71
58 31 31	Injection pump connection	10-70
58 31 33	Clevis	10-71
58 31 45	Throttle return spring	10-71
58 36 00	Starter ring gear	20-2, 20-3
58 37 00	Flywheel shock absorber	20-2, 20-3
58 37 04	Power shuttle screw	20-2, 20-3
58 37 07	Bearing	20-2, 20-3
58 37 09	Ring	20-2, 20-3
58 49 00	Filler pipe / seal	10-26
58 50 01	Throttle cable rode	10-71
58 50 03	Link	10-71
58 56 05	Support	10-66, 10-67, 10-68, 10-69
58 56 08	Exhaust elbow	10-66, 10-67, 10-68, 10-69
58 56 09	Suction hose	10-66, 10-67, 10-68, 10-69
58 56 10	Non-return valve	10-66, 10-67, 10-68, 10-69
58 56 11	Exhaust pipe	10-66, 10-67, 10-68, 10-69
58 56 30	Shield	10-66, 10-67, 10-68, 10-69
58 56 32	Hose	10-66, 10-67, 10-68, 10-69

CLICK HERE TO **DOWNLOAD** THE COMPLETE MANUAL

- Thank you very much for reading the preview of the manual.
- You can download the complete manual from: www.heydownloads.com by clicking the link below



- Please note: If there is no response to CLICKING the link, please download this PDF first and then click on it.

CLICK HERE TO **DOWNLOAD** THE COMPLETE MANUAL