

GC2300 / GC2310 TRACTOR REPAIR TIME SCHEDULE

Form Number 4283091M1

Contents

Section	Description
1	Engine Components
2	Chassis
3	Wheels
4	Component Breakdowns

*NOTE: This Repair Time Schedule (RTS) can be used with Repair Time
Schedule storage binder supplied separately through the repair parts department.*

CLICK HERE TO **DOWNLOAD** THE COMPLETE MANUAL

- Thank you very much for reading the preview of the manual.
- You can download the complete manual from: www.heydownloads.com by clicking the link below



- Please note: If there is no response to CLICKING the link, please download this PDF first and then click on it.

CLICK HERE TO **DOWNLOAD** THE COMPLETE MANUAL

GC2300 / GC2310 TRACTOR
ENGINE COMPONENTS

Item



Description

10

OIL PAN

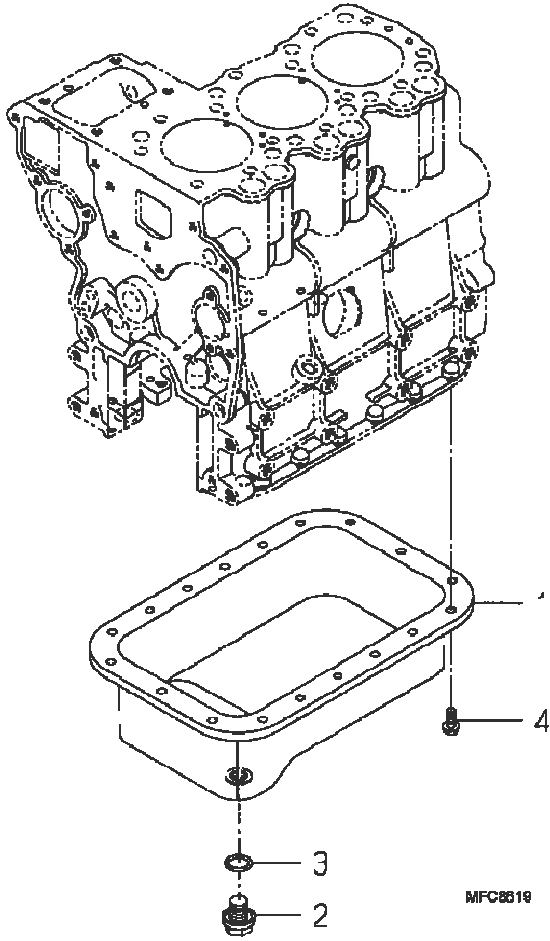
1
2

56 01 00
56 12 00

3.0
0.2

OIL PAN
PLUG

MFC8619



GC2300 / GC2310 TRACTOR
ENGINE COMPONENTS

Item



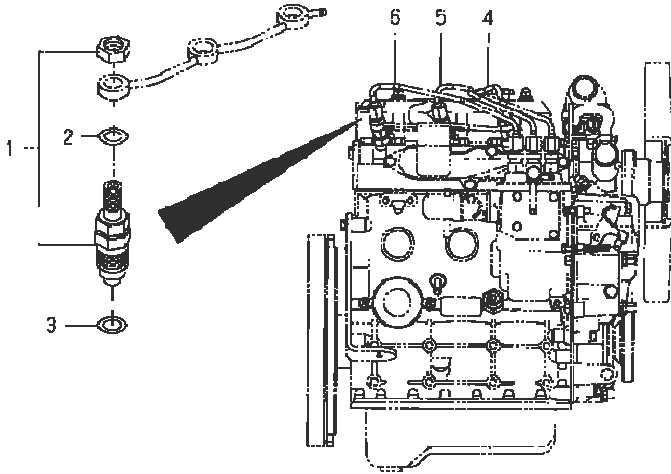
Description

20

INJECTION NOZZLE

1	57 07 00	0.5	INJECTION NOZZLE ASSY-ONE
3	57 01 05	0.5	GASKET, NOZZLE
4	57 03 00	0.5	PIPE ASSY, INJECTION
5	57 03 00	0.5	PIPE ASSY, INJECTION
6	57 03 00	0.5	PIPE ASSY, INJECTION
-	57 21 00	1.0	NOZZLE, INJECTOR (NOT ILLUSTRATED)

MFC8631



MFC8631

GC2300 / GC2310 TRACTOR
CHASSIS

Item



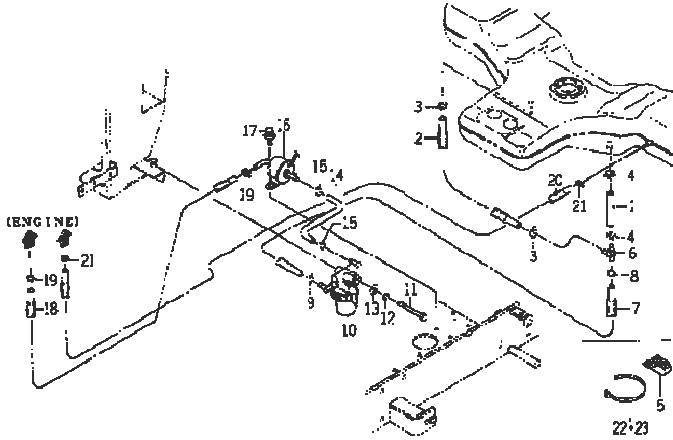
Description

30

FUEL PUMP SYSTEM

1	57 17 13	0.5	HOSE
2	57 17 13	0.5	HOSE
3	57 03 02	0.1	CLIP
4	57 03 02	0.1	CLIP
7	57 04 09	1.0	HOSE
8	57 03 02	0.1	CLIP
9	57 03 02	0.1	CLIP
10	57 17 00	0.5	FILTER BOWL ASSY, FUEL (SEE BREAKDOWN)
14	57 04 08	0.2	HOSE
15	57 03 02	0.1	CLIP, HOSE
16	57 17 61	1.0	PUMP ASSY, ELECTRIC FUEL
18	57 04 02	0.2	HOSE
19	57 03 02	0.1	CLIP, HOSE,
20	57 04 04	1.0	HOSE
21	57 03 02	0.1	CLIP

MFC8647



MFC8647

GC2300 / GC2310 TRACTOR
CHASSIS

Item



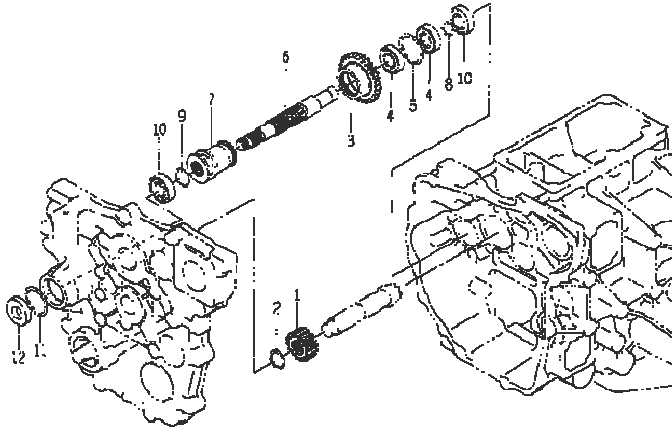
Description

40

GEAR (4WD) SYSTEM

1	29 06 14	8.0	GEAR, 4WD INPUT
3	29 05 11	8.5	GEAR, 4WD
4	29 06 02	8.5	BEARING, BALL
6	29 05 10	9.0	SHAFT, 4WD
7	19 23 04	8.5	SLEEVE, 4WD SHIFT
10	19 00 46	8.0	BEARING, BALL
12	29 05 25	1.0	SEAL, OIL

MFC8657



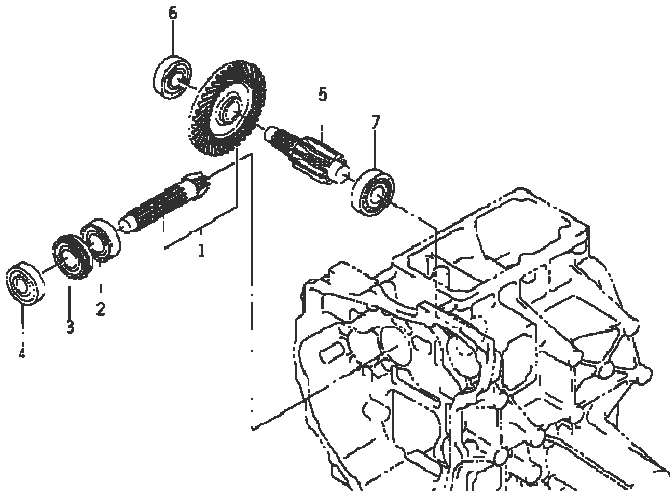
MFC8657



PINION (DRIVE) SYSTEM

1	27 01 01	8.0	GEAR SET
2	27 01 10	7.0	BEARING, BALL
4	27 01 10	7.0	BEARING, BALL
5	27 01 46	8.0	GEAR, BULL PINION
6	27 02 47	8.0	BEARING, BALL
7	27 02 48	8.0	BEARING, ROLLER

MFC8668



MFC8668

GC2300 / GC2310 TRACTOR
CHASSIS

Item



Description

60

POWER STEERING PIPING SYSTEM

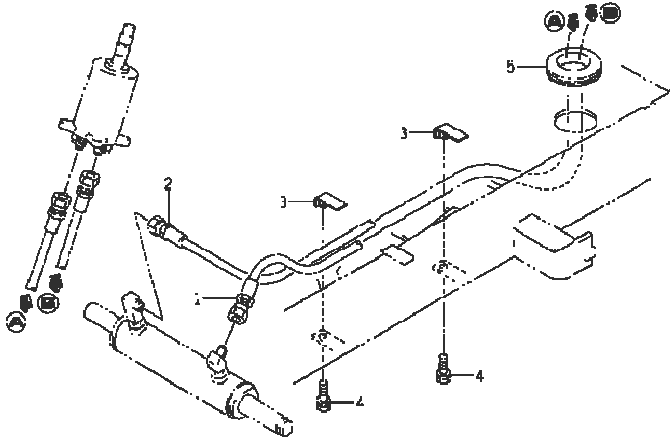
1
2

22 04 03
22 04 02

1.5
1.5

HOSE ASSY, LH
HOSE ASSY, RH

MFC8678



MFC8678

GC2300 / GC2310 TRACTOR
CHASSIS

Item



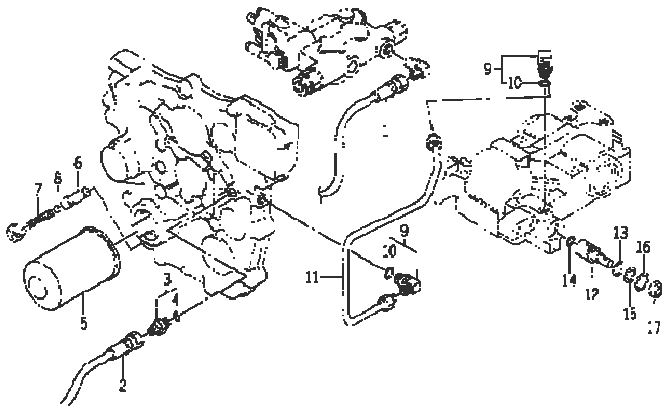
Description

70

SUB PIPING SYSTEM

1	22 14 40	2.5	HOSE, STEERING PRESSURE
2	22 14 41	2.0	HOSE, STEERING RETURN
5	22 07 16	0.5	FILTER, CHARGE
6	33 00 31	1.0	VALVE, PTO RELIEF
11	33 00 32	2.0	PIPE, PTO
12	29 04 49	1.0	VALVE, PTO
17	33 00 33	1.0	SEAL, DUST
-	33 00 34	0.5	GUARD, FILTER (NOT ILLUSTRATED)

MFC8688



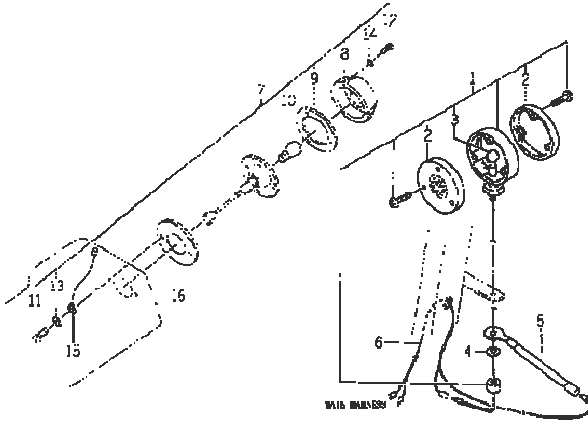
MFC8688



TAIL LAMP SYSTEM

1	14 02 18	0.5	LAMP ASSY, TURN SIGNAL
2	14 18 90	0.2	LENS
3	14 16 78	0.5	BULB
5	14 00 12	0.5	HARNESS, GROUND
6	14 01 24	0.2	HARNESS, ROPS - BOTH SIDES
7	14 02 17	0.2	LAMP ASSY, TAIL
8	14 18 90	0.2	LENS
10	14 16 78	0.5	BULB
15	14 00 12	0.5	HARNESS, GROUND

MFC8703



MFC8703

CLICK HERE TO **DOWNLOAD** THE COMPLETE MANUAL

- Thank you very much for reading the preview of the manual.
- You can download the complete manual from: www.heydownloads.com by clicking the link below



- Please note: If there is no response to CLICKING the link, please download this PDF first and then click on it.

CLICK HERE TO **DOWNLOAD** THE COMPLETE MANUAL