

**GC1705 / GC1710 / GC1715 / GC1720  
COMPACT TRACTOR  
REPAIR TIME SCHEDULE**

**Form Number 4283497M2**

**Contents**

<b>Section</b>	<b>Description</b>
1	Engine, Fuel and Exhaust System
2	Frame and Suspension
3	Steering System
4	Drive Train System
5	Brake System
6	Hydraulic System
7	Electrical System
8	Chassis
9	Decals
10	Wheels
11	Implement Lift System

**GC1705 / GC1710 / GC1715 / GC1720 COMPACT TRACTOR RTS**

CLICK HERE TO **DOWNLOAD** THE COMPLETE MANUAL

- Thank you very much for reading the preview of the manual.
- You can download the complete manual from: [www.heydownloads.com](http://www.heydownloads.com) by clicking the link below



- Please note: If there is no response to CLICKING the link, please download this PDF first and then click on it.

CLICK HERE TO **DOWNLOAD** THE COMPLETE MANUAL

GC1705/GC1710/GC1715/GC1720 TRACTORS  
ENGINE, FUEL AND EXHAUST SYSTEM

Item



Description

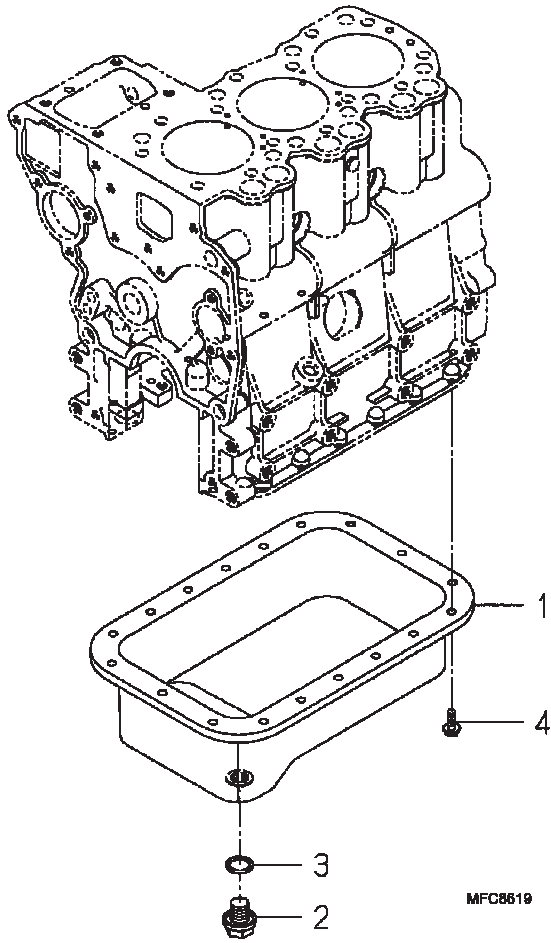
10

OIL PAN

1 56 01 00 3.0  
2 56 12 00 0.2

OIL SUMP  
PLUG

MFC8619



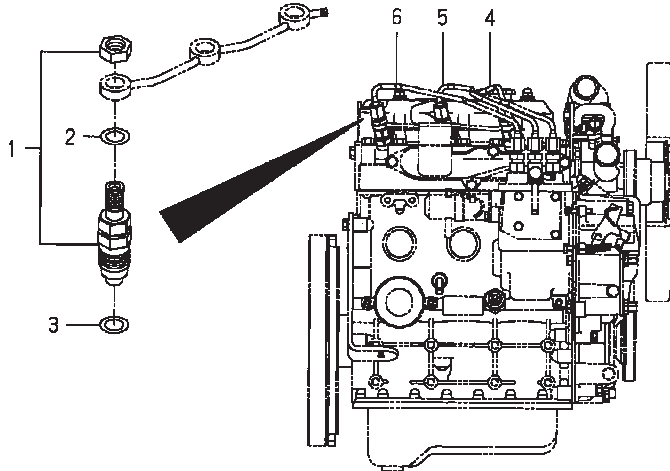
MFC8619



INJECTOR

1	57 07 00	0,5	KIT, ATOMISER
3	57 01 05	0,5	NOZZLE GASKET
4	57 03 00	0,5	PIPE
5	57 03 00	0,5	PIPE
6	57 03 00	0,5	PIPE
-	57 21 00	1,0	NOZZLE, INJECTOR (NOT ILLUSTRATED)

MFC8631



MFC8631

GC1705/GC1710/GC1715/GC1720 TRACTORS  
ENGINE, FUEL AND EXHAUST SYSTEM

Item



Description

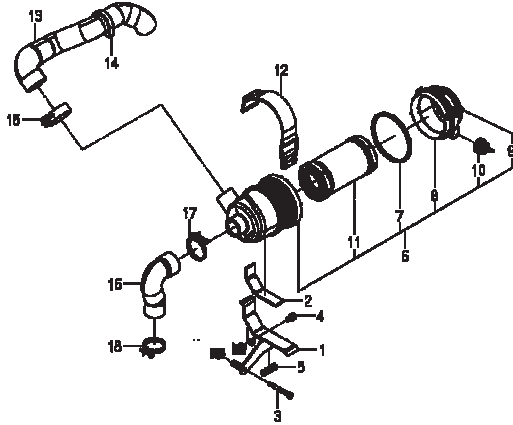
30

AIR CLEANER

6	58 15 00	0.5	CLEANER
11	58 15 15	0.2	FILTER
12	58 15 17	0.1	BAND
13	58 15 24	0.2	CLEANER
16	58 29 01	0.2	CLEANER

MFC12591

MFC12591



GC1705/GC1710/GC1715/GC1720TRACTORS  
STEERING SYSTEM

Item



Description

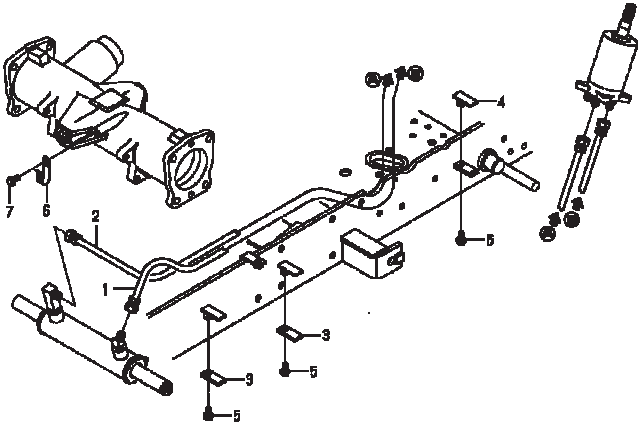
40

POWER STEERING

- |   |          |     |                 |
|---|----------|-----|-----------------|
| 1 | 22 04 03 | 1.5 | LEFT HAND HOSE  |
| 2 | 22 04 02 | 1.5 | RIGHT HAND HOSE |

MFC12622

MFC12622



CLICK HERE TO **DOWNLOAD** THE COMPLETE MANUAL

- Thank you very much for reading the preview of the manual.
- You can download the complete manual from: [www.heydownloads.com](http://www.heydownloads.com) by clicking the link below



- Please note: If there is no response to CLICKING the link, please download this PDF first and then click on it.

CLICK HERE TO **DOWNLOAD** THE COMPLETE MANUAL

GC1705/GC1710/GC1715/GC1720TRACTORS  
DRIVE TRAIN SYSTEM

Item



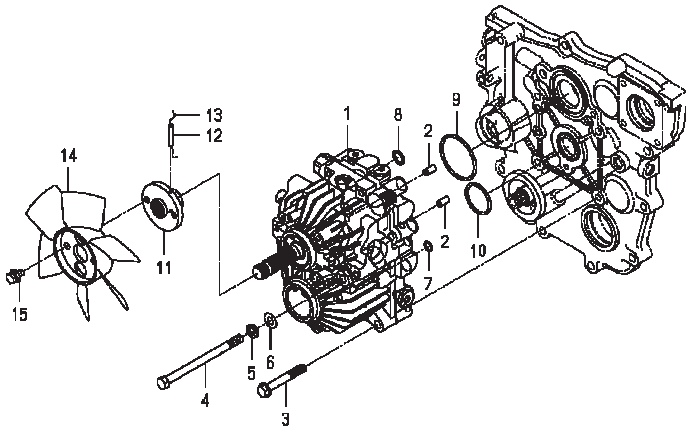
Description

50

HYDROSTATIC

1	19 00 40	7.0	HYDROSTATIC TRANSMISSION
3	19 00 41	0.2	BOLT
4	19 00 41	0.2	BOLT
7	19 00 42	6.0	RING
8	19 00 42	6.0	RING
9	19 00 42	6.0	O-RING
10	19 00 42	6.0	O-RING
11	19 00 43	1.0	FLANGE
14	19 00 44	1.0	FAN
-	22 05 09	1.0	PRESSURE TEST, HYDRO

MFC9260



MFC9260

GC1705/GC1710/GC1715/GC1720TRACTORS  
DRIVE TRAIN SYSTEM

Item



Description

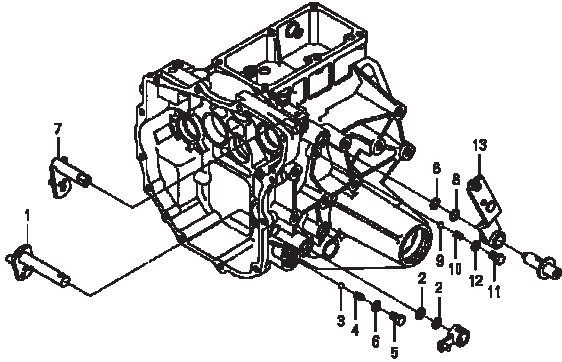
60

CONTROL LINKAGE

1	29 01 14	1.0	SHIFT ARM
3	29 01 15	0.5	BALL
4	29 01 15	0.5	SHIFTER SPRING
7	29 07 12	1.0	SHIFT ARM
9	29 01 15	0.5	BALL
10	29 01 15	0.5	SHIFTER SPRING

MFC12602

MFC12602



GC1705/GC1710/GC1715/GC1720TRACTORS  
DRIVE TRAIN SYSTEM

Item



Description

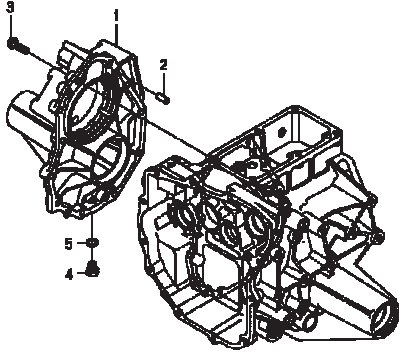
70

AXLE HOUSING

1	25 00 05	12.0	AXLE HOUSING
3	25 00 06	0.5	HEXAGON FLANGE HEAD BOLT
4	25 01 30	0.2	PLUG

MFC12614

MFC12614



GC1705/GC1710/GC1715/GC1720TRACTORS  
HYDRAULIC SYSTEM

Item



Description

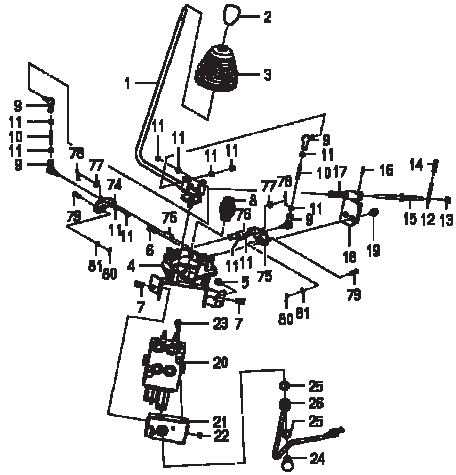
80

REMOTE VALVE

1	22 03 28	0.7	JOYSTICK LEVER
2	19 10 02	0.1	KNOB
3	22 03 33	0.2	JOYSTICK BOOT
8	21 29 83	0.75	JOINT
17	17 10 69	0.5	SPRING
20	21 29 81	1.5	VALVE
26	21 29 88	0.75	PIPE

MFC12638

MFC12638



GC1705/GC1710/GC1715/GC1720TRACTORS  
ELECTRICAL SYSTEM

Item



Description

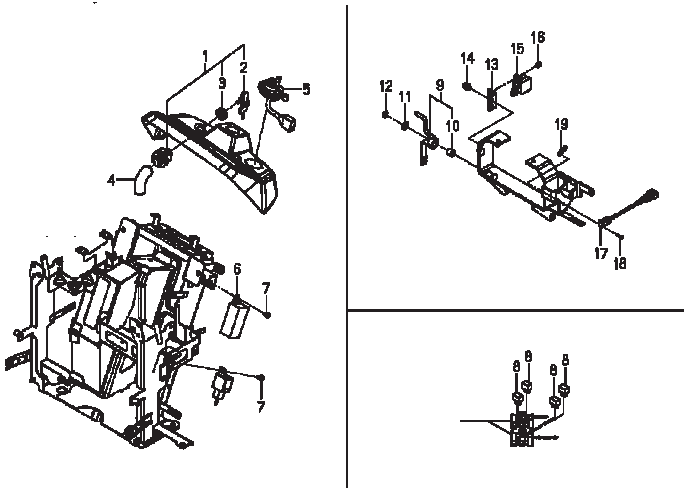
90

SWITCHES

1	14 02 01	0.5	IGNITION SWITCH
5	14 02 13	0.5	SWITCH
6	14 02 41	0.5	RELAY
15	14 02 40	0.5	SWITCH

MFC12666

MFC12666



GC1705/GC1710/GC1715/GC1720TRACTORS  
CHASSIS

Item



Description

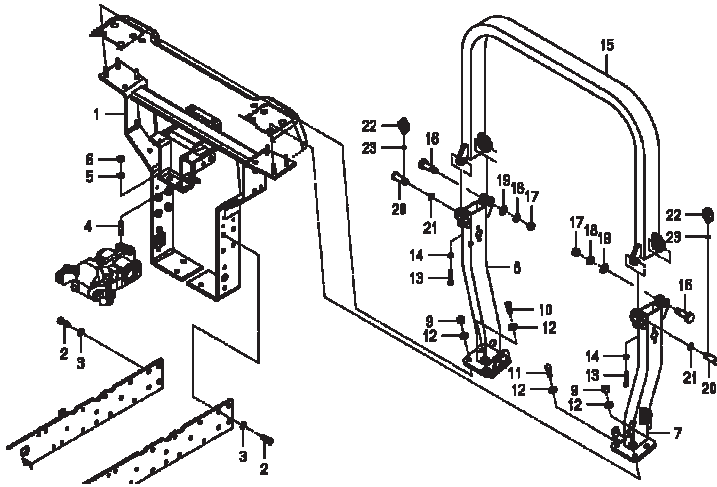
100

R.O.P.S.  
(GC1705/GC1715)  
(GC1710/GC1720)

1	18 02 12	1.5	REAR FRAME
7	34 15 13	0.5	LEFT HAND FRAME
8	34 15 13	0.5	RIGHT HAND FRAME
15	34 15 14	0.5	FRAME/UPPER

MFC12669

MFC12669



CLICK HERE TO **DOWNLOAD** THE COMPLETE MANUAL

- Thank you very much for reading the preview of the manual.
- You can download the complete manual from: [www.heydownloads.com](http://www.heydownloads.com) by clicking the link below



- Please note: If there is no response to CLICKING the link, please download this PDF first and then click on it.

CLICK HERE TO **DOWNLOAD** THE COMPLETE MANUAL