

4607M / 4609M / 4610M / 4610M HC TRACTOR

REPAIR TIME SCHEDULE

Contents

Accessories
Brake System
Cab
Chassis
Decals
Drive Train System
Electrical System
Engine, Fuel, and Exhaust
Hydraulic System
Implement Lift System
Steering System

4607M / 4609M / 4610M / 4610M HC TRACTOR RTS

CLICK HERE TO **DOWNLOAD** THE COMPLETE MANUAL

- Thank you very much for reading the preview of the manual.
- You can download the complete manual from: www.heydownloads.com by clicking the link below



- Please note: If there is no response to CLICKING the link, please download this PDF first and then click on it.

CLICK HERE TO **DOWNLOAD** THE COMPLETE MANUAL

4607M / 4609M / 4610M / 4610M HC TRACTOR
ENGINE, FUEL AND EXHAUST SYSTEM

Item

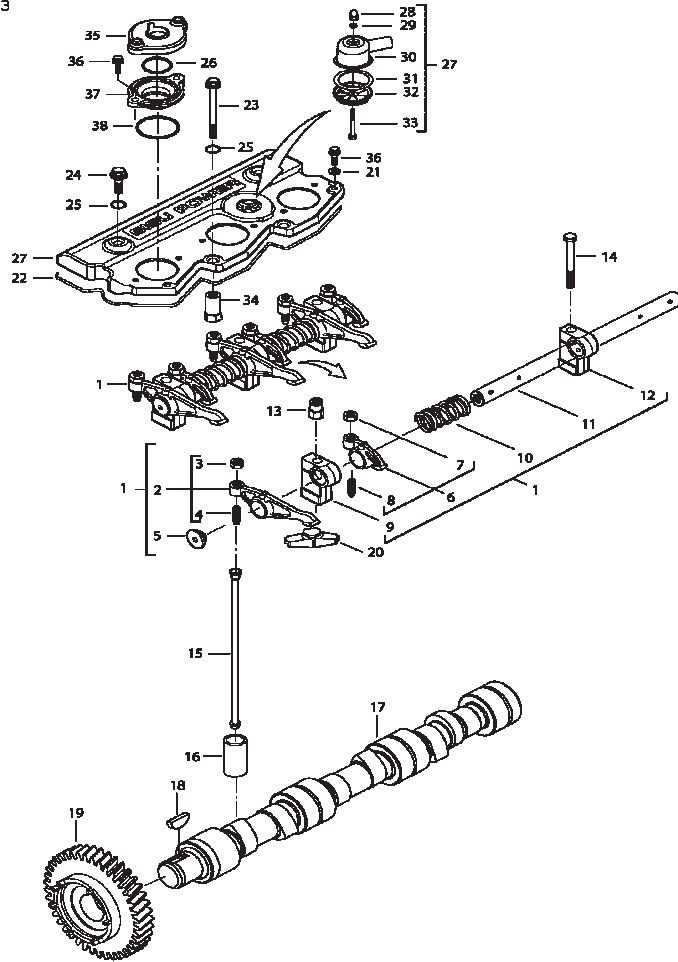


Description

10

VALVES AND ROCKER SHAFT

SIS0223



1	52 07 00	7.5	ROCKER SHAFT ASM
2	72 07 00	7.5	ROCKER ARM
4	52 11 00	6.0	VALVE ROCKER ADJUSTMENT SCREW
6	72 07 00	7.5	ROCKER ARM
8	52 11 00	6.0	VALVE ROCKER ADJUSTMENT SCREW
9	72 24 00	7.5	ROCKER SHAFT BRACKET
10	52 07 02	7.5	SPRING
11	72 10 00	7.5	SHAFT
12	72 24 00	7.5	ROCKER SHAFT BRACKET
14	52 07 03	5.5	HEX CAP SCREW
15	75 09 00	6.5	PUSHROD
16	75 10 00	26.5	TAPPET
17	75 05 00	28.0	CAMSHAFT
19	75 06 00	6.5	GEAR, CAMSHAFT
20	72 07 02	7.5	GUIDE
27	52 19 03	3.5	VALVE ROCKER COVER

SIS0223

4607M / 4609M / 4610M / 4610M HC TRACTOR
ENGINE, FUEL AND EXHAUST SYSTEM

Item



Description

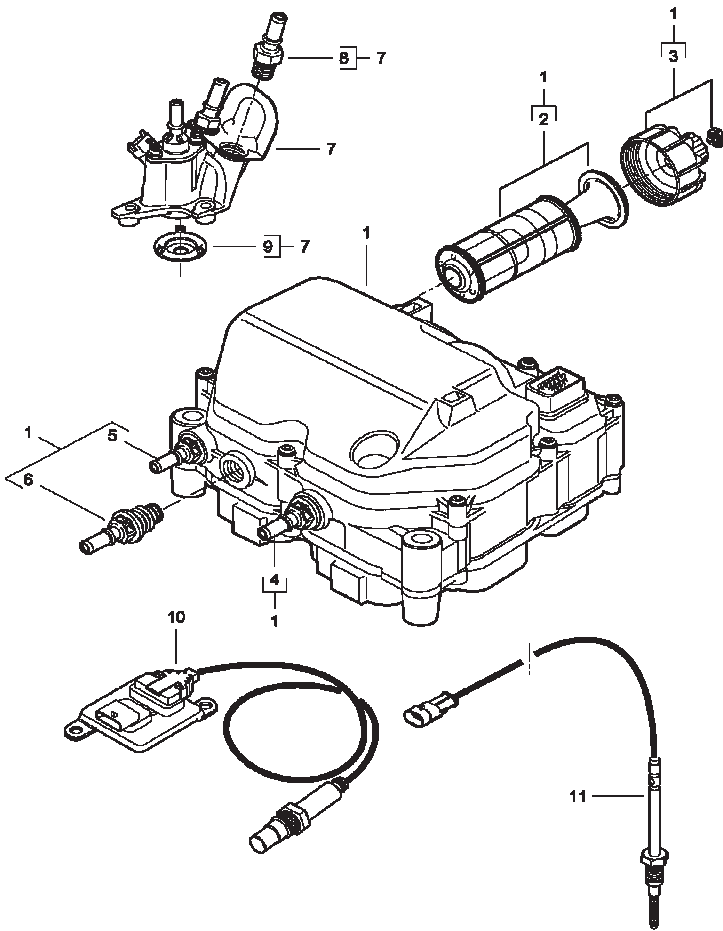
20

EXHAUST AFTERTREATMENT

1	72 05 10	2.0	MODULE
2	72 05 11	1.0	DEF FILTER
10	72 05 12	0.75	SENSOR
11	59 23 06	0.75	TEMPERATURE SENSOR

AP26H1021

AP26H1021



4607M / 4609M / 4610M / 4610M HC TRACTOR
ENGINE, FUEL AND EXHAUST SYSTEM

Item



Description

30

DEF TANK

-

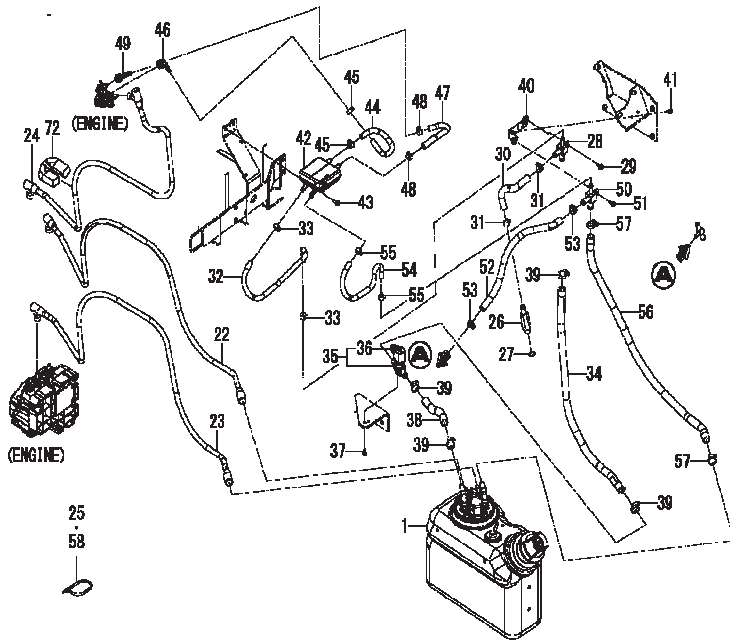
57 80 36

0,4

HOSE (ANY)

MFC14519-1

MFC14519-1



4607M / 4609M / 4610M / 4610M HC TRACTOR
STEERING SYSTEM

Item



Description

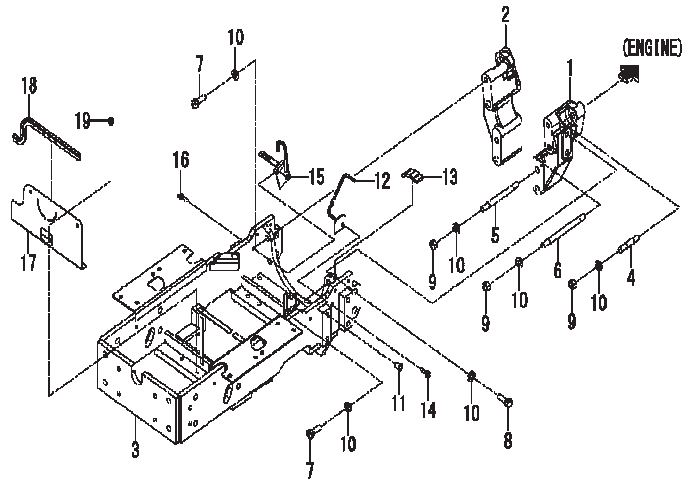
40

FRONT AXLE BRACKET

2	16 04 00	3.0	AXLE SUPPORT, RIGHT HAND
3	34 12 38	3.0	AXLE BRACKET
12	16 04 00	3.0	GUIDE, LEFT HAND
15	16 04 00	3.0	GUIDE
17	59 02 49	3.0	RADIATOR COVER

MFC14577-1

MFC14577-1



4607M / 4609M / 4610M / 4610M HC TRACTOR
DRIVE TRAIN SYSTEM

Item



Description

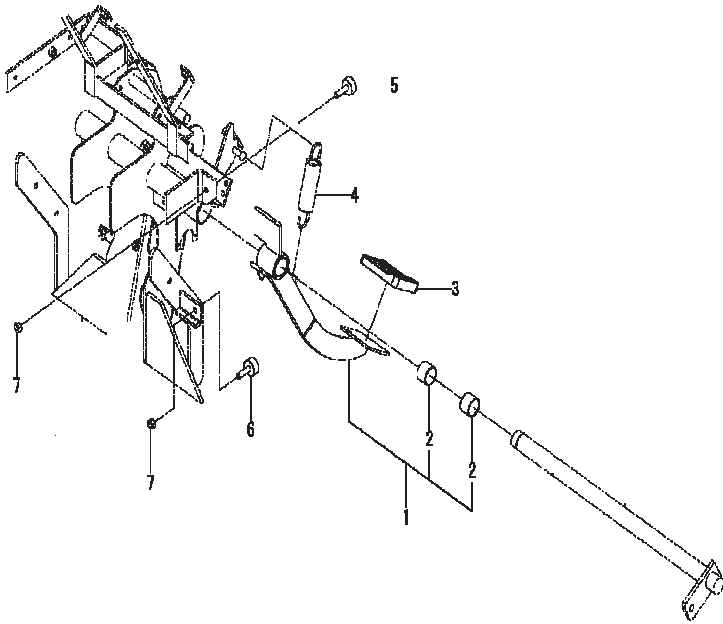
50

CLUTCH PEDAL

MFC14527-1

1	19 13 08	0.75	CLUTCH PEDAL
2	19 13 12	1.25	BUSHING
3	19 13 10	0.1	PEDAL PAD
4	26 01 27	0.25	SPRING

MFC14527-1



4607M / 4609M / 4610M / 4610M HC TRACTOR
DRIVE TRAIN SYSTEM

Item



Description

60

SUB GEAR

-

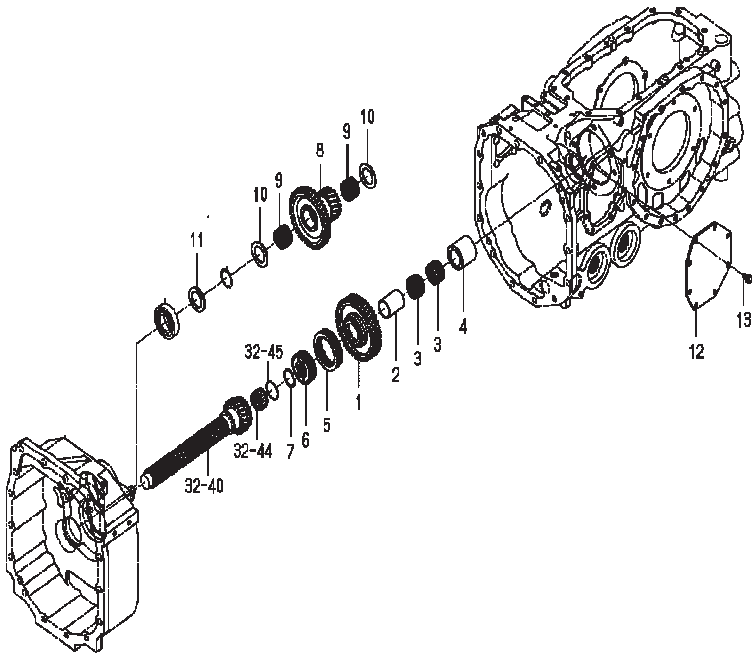
43 13 01

18.0

TRANSMISSION (OVERHAUL)
(INTERNAL PARTS)

MFC14540-1

MFC14540-1



CLICK HERE TO **DOWNLOAD** THE COMPLETE MANUAL

- Thank you very much for reading the preview of the manual.
- You can download the complete manual from: www.heydownloads.com by clicking the link below



- Please note: If there is no response to CLICKING the link, please download this PDF first and then click on it.

CLICK HERE TO **DOWNLOAD** THE COMPLETE MANUAL

4607M / 4609M / 4610M / 4610M HC TRACTOR
DRIVE TRAIN SYSTEM

Item



Description

70

DRIVE PINION

1

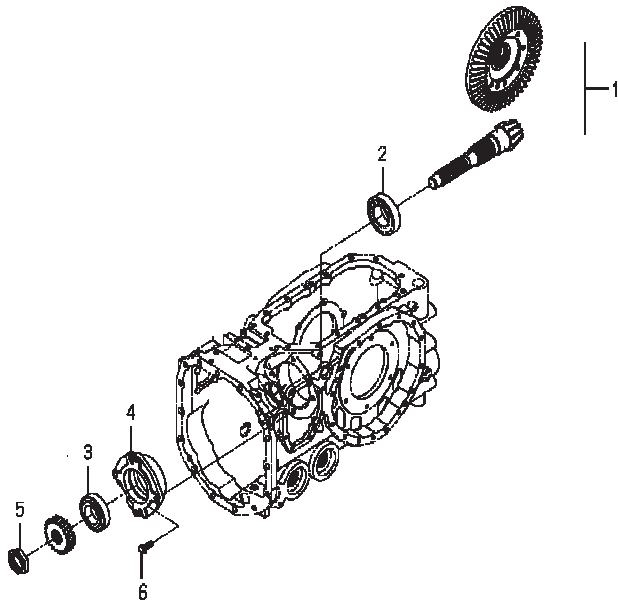
27 01 01

16.0

GEAR SET

MFC14564-1

MFC14564-1



4607M / 4609M / 4610M / 4610M HC TRACTOR
BRAKE SYSTEM

Item



Description

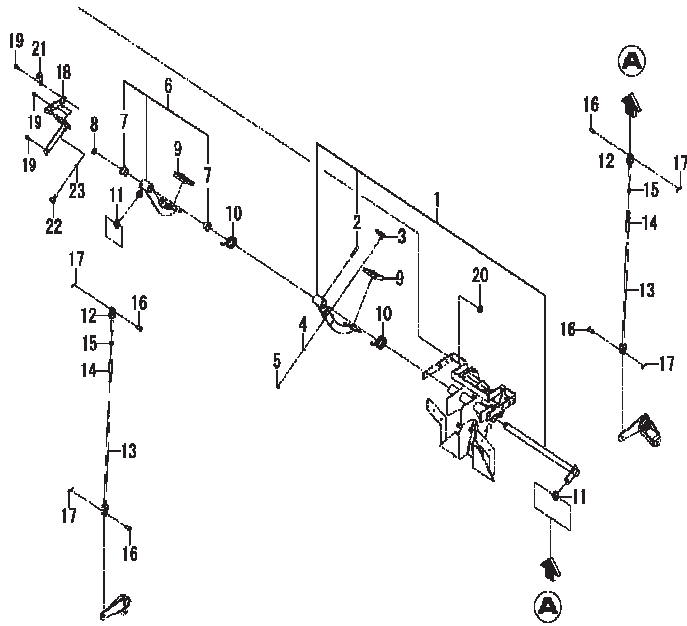
80

BRAKE PEDAL

1	26 01 59	1.5	BRAKE PEDAL, LEFT HAND
6	26 01 59	1.5	BRAKE PEDAL, RIGHT HAND
9	26 00 91	0.1	PEDAL PAD
12	26 01 18	1.0	BRAKE ROD
13	26 01 18	1.0	BRAKE ROD

MFC14571-1

MFC14571-1



4607M / 4609M / 4610M / 4610M HC TRACTOR
ELECTRICAL SYSTEM

Item



Description

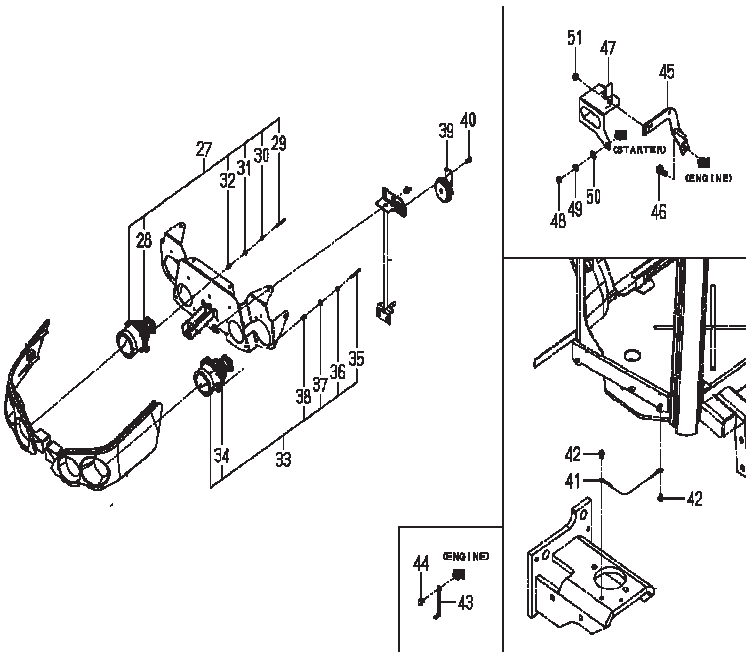
90

FRONT ELECTRICAL

MFC14648-1

27	14 02 20	0,5	HEAD LIGHT
28	14 16 78	0,5	LIGHT BULB
33	14 02 20	0,5	HEAD LIGHT
34	14 16 78	0,5	LIGHT BULB
39	14 02 02	0,5	HORN
41	13 04 11	0,5	GROUND CABLE
43	13 04 11	0,5	GROUND CABLE

MFC14648-1



4607M / 4609M / 4610M / 4610M HC TRACTOR
ELECTRICAL SYSTEM

Item



Description

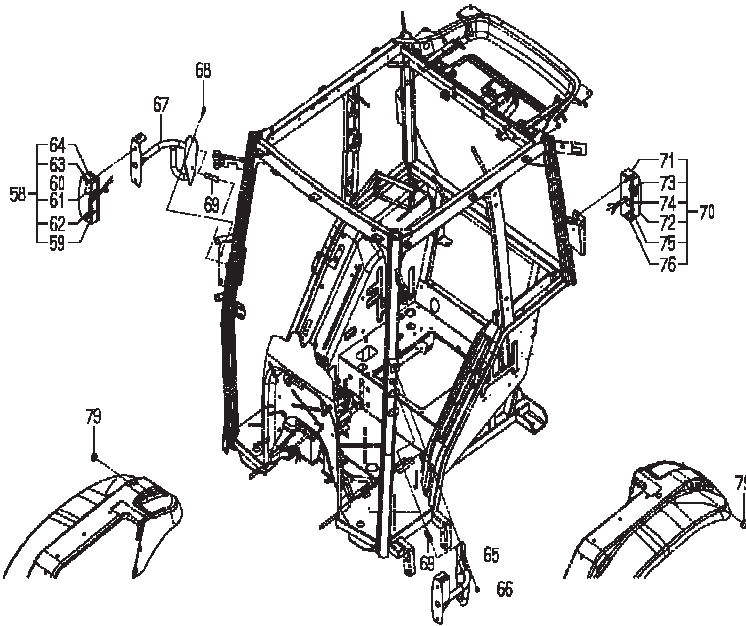
100

CAB ELECTRICAL

MFC14682-1

-	14 01 00	1.0	TEST, ELECTRICAL DIAGNOSIS
58	14 01 22	0.5	COMBINATION LAMP
59	14 18 90	0.5	LENS
60	14 18 90	0.5	LENS
61	14 16 78	0.5	BULB 12V 21W
62	14 16 78	0.5	BULB 12V 5W
70	14 01 22	0.5	COMBINATION LAMP
71	14 18 90	0.5	LENS
72	14 18 90	0.5	LENS
73	14 16 78	0.5	BULB 12V 21W
74	14 16 78	0.5	BULB S/L 21/5W
77	14 19 79	0.5	SWITCH PANEL

MFC14682-1



4607M / 4609M / 4610M / 4610M HC TRACTOR
CAB

Item



Description

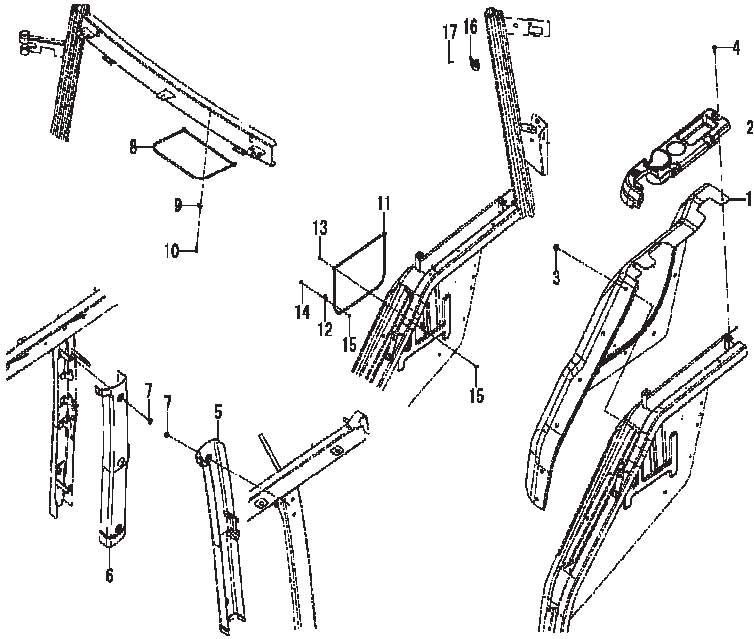
110

CAB INTERIOR

1	28 03 28	1.5	FENDER COVER, LEFT HAND
5	28 03 28	1.5	COVER, LEFT HAND
6	28 03 28	1.5	COVER, RIGHT HAND

MFC14706-1

MFC14706-1



4607M / 4609M / 4610M / 4610M HC TRACTOR
CHASSIS

Item



Description

120

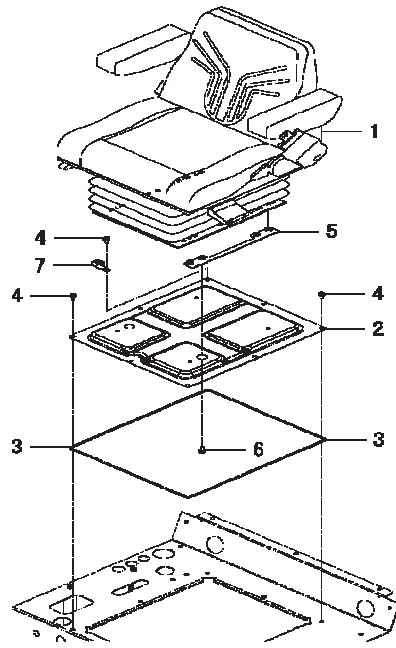
SEAT

1 26 06 00
2 28 06 23

0.2 AIR SUSPENSION SEAT
0.5 SEAT PANEL

MFC14635-1

MFC14635-1



4607M / 4609M / 4610M / 4610M HC TRACTOR
DECALS

Item



Description

130

CONTROL LABEL

-

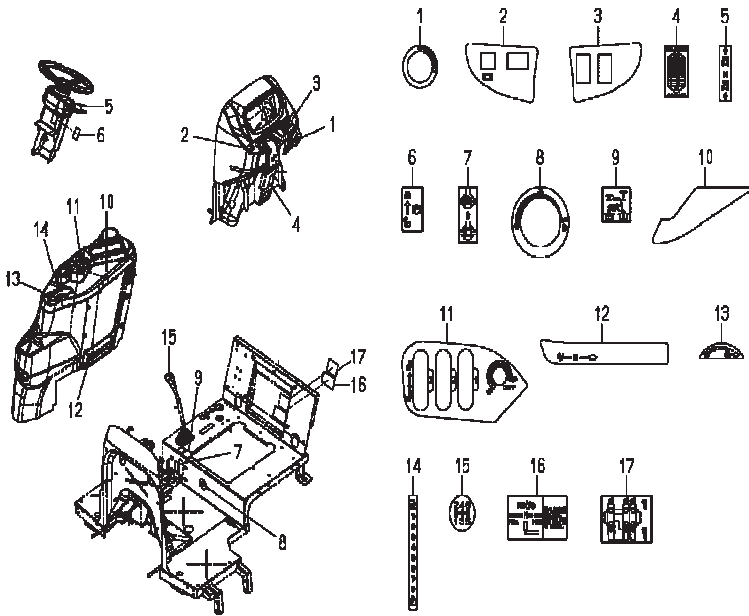
28 02 22

0.25

DECAL (ANY)

MFC14720-1

MFC14720-1



CLICK HERE TO **DOWNLOAD** THE COMPLETE MANUAL

- Thank you very much for reading the preview of the manual.
- You can download the complete manual from: www.heydownloads.com by clicking the link below



- Please note: If there is no response to CLICKING the link, please download this PDF first and then click on it.

CLICK HERE TO **DOWNLOAD** THE COMPLETE MANUAL