

# Repair Time Schedule for FENDT 9490x Combine series

1. **Dealer stocking list**
3. **Front elevator**
4. **Thresher concave, beater & rear beater**
5. **Straw shaker**
6. **Shaker shoe & fan**
7. **Grain elevator**
8. **Engine**
9. **Grain tank**
10. **Engine installation**
11. **Belt & link chain**
12. **Transmission**
13. **Cab**
14. **Hydraulic system**
15. **Body**
16. **Implements & electrical system**
17. **Straw chopper**
18. **Decal**
19. **Variants & attachments**



CLICK HERE TO **DOWNLOAD** THE COMPLETE MANUAL

- Thank you very much for reading the preview of the manual.
- You can download the complete manual from: [www.heydownloads.com](http://www.heydownloads.com) by clicking the link below



- Please note: If there is no response to CLICKING the link, please download this PDF first and then click on it.

CLICK HERE TO **DOWNLOAD** THE COMPLETE MANUAL

## **Introduction and warranty - 0**

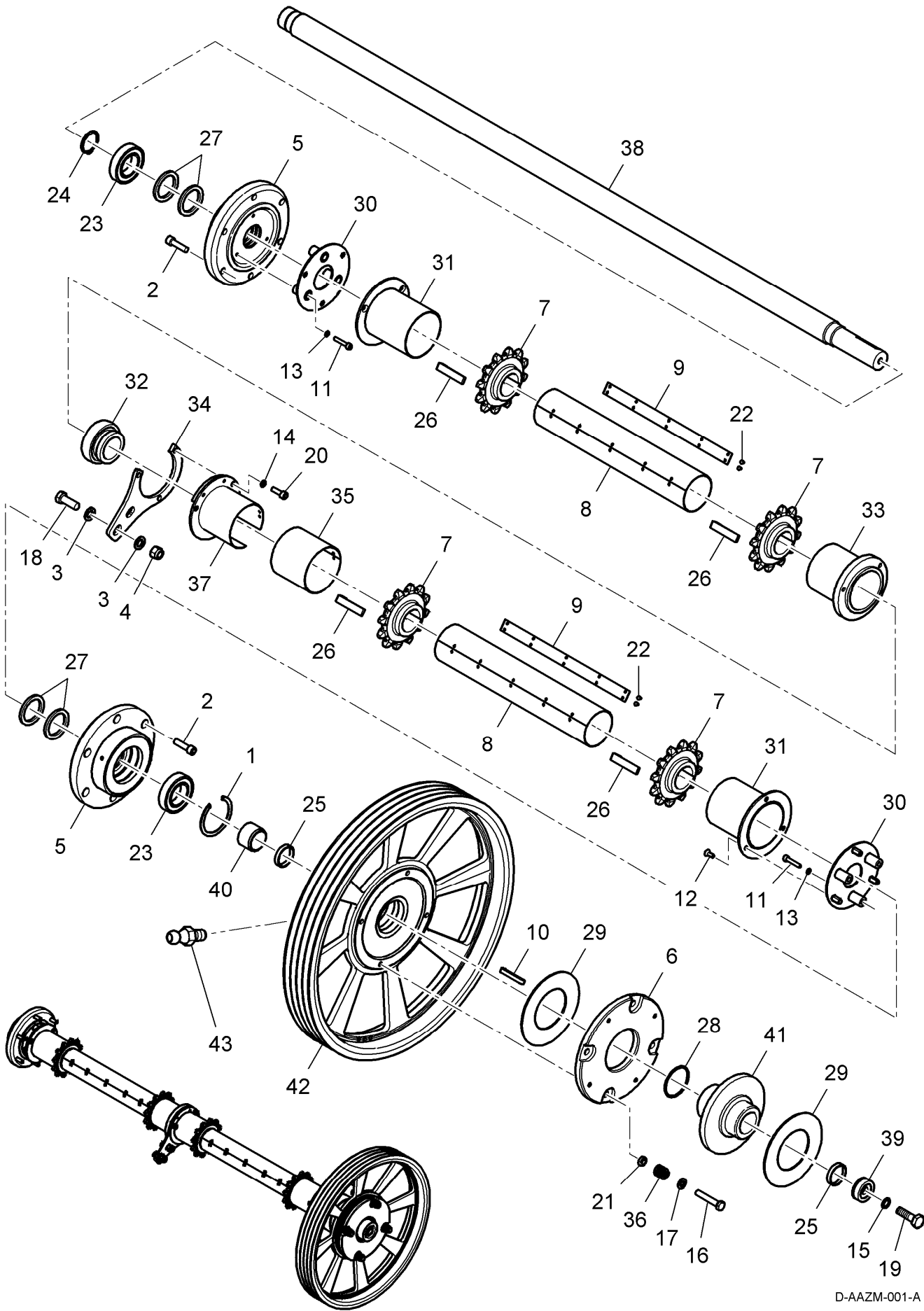
---

NUMERICAL INDEX  
INDEX NUMERIQUE  
NUMMERN-INDEX  
INDICE NUMERICO

391039X1	3-5	391188X1	8-9	391884X1	1-1	394367X1	1-1
	3-8		8-13		7-2		3-2
	4-11	391212X1	4-10		7-6		3-8
	5-6		5-6		14-10		4-1
	6-2		6-14		14-14		4-2
	6-3		7-5		14-15		4-5
	6-12		9-2		14-16		4-8
	6-13		9-6		14-22		4-11
	6-15		9-12		14-29		5-2
	7-3		9-13	391885X1	11-2		5-5
	7-4		9-18		12-26		5-6
	7-5		10-8		17-13		5-7
	7-6		11-6	391888X1	3-4		6-1
	7-7		11-7		11-8		6-2
	7-9		15-1		12-24		6-3
	9-1		15-3		15-1		6-4
	9-2	391244X1	6-14	391889X1	12-6		6-6
	9-3		6-16	391893X1	5-3		6-8
	9-9		14-7	391894X1	16-23		6-11
	9-14		14-16		16-28		6-12
	9-15		14-19	391924X1	6-6		6-15
	9-16		14-21		15-1		7-3
	10-1		14-25	391933X1	11-8		7-4
	10-3	391284X1	3-3	391991X1	3-3		7-5
	10-5		13-1		10-8		7-6
	10-7	391286X1	3-13	392310X1	6-12		7-7
	10-9	391329X1	10-8		7-1		7-9
	10-10		12-19		7-2		9-2
	10-12	391332X1	12-1		7-3		9-4
	11-6		12-20		9-17		9-12
	11-7	391333X1	12-1	392415X1	16-9		9-13
	13-1	391334X1	3-3	392462X1	12-24		9-14
	13-12		12-2	392526X1	16-23		9-15
	13-15		12-26	392528X1	17-8		10-10
	13-16		12-29	392797X1	7-10		10-12
	13-17		14-1				12-2
	13-21	391335X1	5-4				12-4
	13-22	391347X1	1-1				12-6
	13-23		6-6				12-18
	13-29	391360X1	6-5				12-23
	14-1		9-16				13-19
	14-21		17-14				13-38
	14-22	391375X1	3-13				14-1
	15-1		4-11				14-4
	15-2		5-2				14-7
	15-4		5-6				14-9
	15-5		6-6				14-13
	15-6		6-12				14-21
	15-7		6-14				14-25
	16-8		9-16				14-34
	16-10		10-7				15-1
	16-13		10-8				15-3
	16-14		10-12				15-5
	16-24		11-3				15-6
	16-25		11-4				16-6
	16-26		11-7				16-8
	17-2		14-20				16-25
	17-8		15-1				16-26
	17-12		17-1				16-29
	6-7		17-12				17-1
391068X1	6-7	391385X1	9-18				17-2
391074X1	10-10		10-8				17-5
	16-24		11-1				17-7
	16-25	391464X1	12-21				17-9
	16-26	391561X1	1-1				17-10
	16-30		4-6				17-12
	17-13		7-9				17-14
391076X1	17-9		9-10				19-3
391091X1	3-13		11-6				19-5
391093X1	3-9		16-29				1-1
391110X1	17-10	391854X1	6-10			401403X1	14-8
391127X1	14-6		6-12			4291921M2	15-3
391129X1	12-6		12-18			4352466M1	10-2
391131X1	14-26	391876X1	10-8			4353539M1	10-13
391145X1	11-8					4375771M1	13-31
391148X1	10-6					4375777M1	10-10
391176X1	12-23					4375795M1	9-4

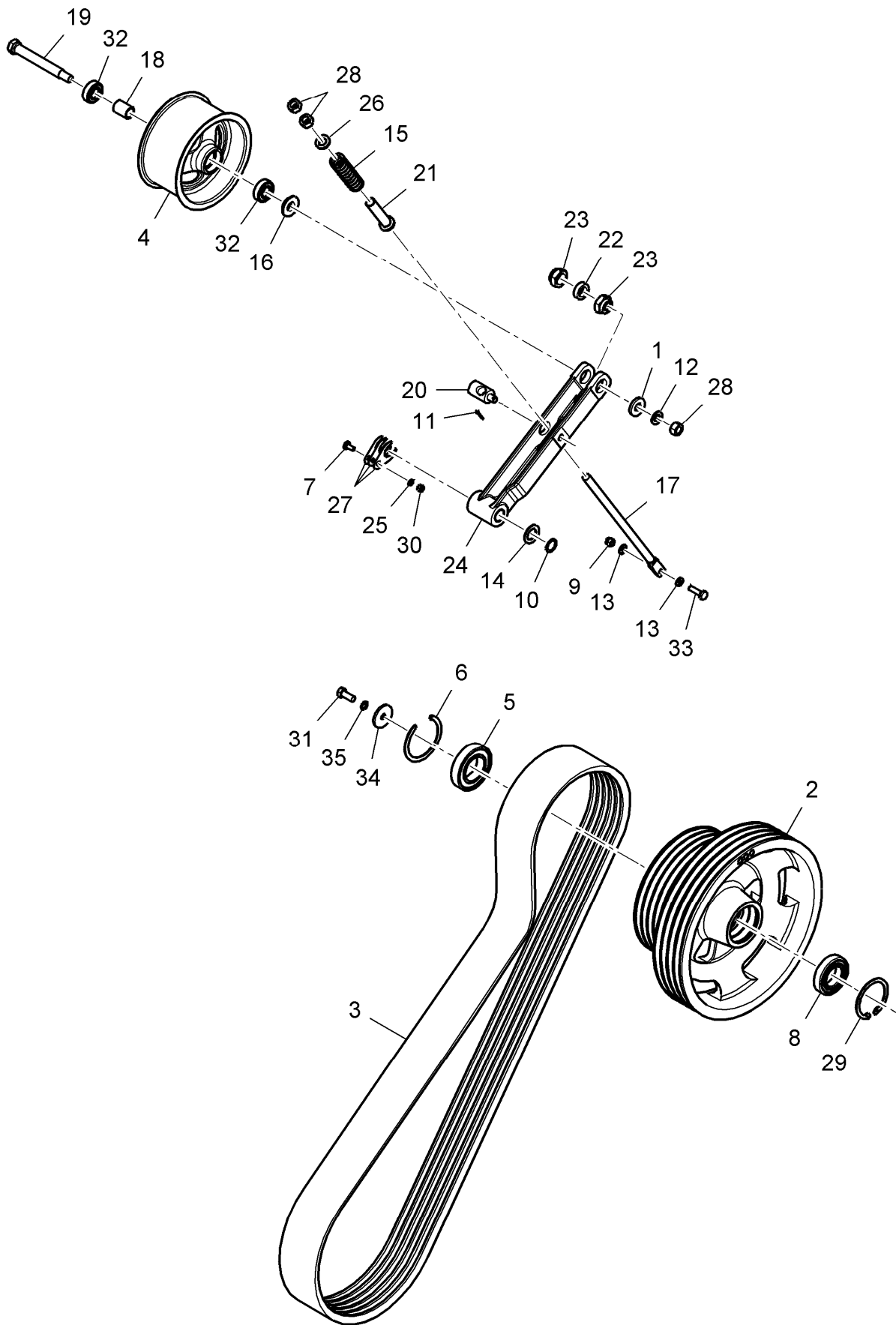


84	7062392M1	1	CAB FILTER	FILTRE CABINE	KABINE FILTER	FILTRO CABINA
85	7062393M1	1	CONDIT. FILTER	FILTRE CLIMATIS.	KLIMAANL. FILTER	FILTRO AIRE
86	7062456M1	1	BELT	COURROIE	RIEMEN	CORREA
87	7062950M1	2	SEAL	JOINT ETANCHEITE	DICHTUNGSSCHEIBE	JUNTA REDONDA
88	7063747M1	1	FILTER ELEMENT	ELEMENT FILTRANT	FILTEREINSATZ	ELEMENTO FILTRAN
89	7063748M1	1	FILTER ELEMENT	ELEMENT FILTRANT	FILTEREINSATZ	ELEMENTO FILTRAN
90	7063784M1	1	BELT	COURROIE	RIEMEN	CORREA
91	7104072M1	1	SPROCKET	BARBOTIN	KETTENRAD	RUEDA DENTADA
92	7104103M1	4	DEFLECTOR	DEFLECTEUR	ABWEISBLECH	DEFLECTOR
93	7104105M1	4	DEFLECTOR	DEFLECTEUR	ABWEISBLECH	DEFLECTOR
94	7104193M1	1	BELT	COURROIE	RIEMEN	CORREA
95	7104225M1	1	BELT	COURROIE	RIEMEN	CORREA
96	7104339M1	2	SOLENOID VALVE	VALVE SOLENOIDE	MAGNETVENTIL	VALVULA SOLENOID
97	7104358M1	2	VALVE	SOUPAPE	VENTIL	VALVULA
98	7104361M1	17	COIL	BOBINE	SPULE	BOBINA
99	7104366M1	18	COIL	BOBINE	SPULE	BOBINA
100	7104404M1	3	VALVE	SOUPAPE	VENTIL	VALVULA
101	7104471M91	4	HYDRAULIC HOSE	DURITE HYDRAULIC	HYDRAUL.SCHLAUCH	TUBO HYDRAULICO
102	7104660M1	1	BELT	COURROIE	RIEMEN	CORREA
103	7104792M1	3	VALVE	SOUPAPE	VENTIL	VALVULA
104	7104798M1	1	VALVE	SOUPAPE	VENTIL	VALVULA
105	7104874M91	1	ELECTRONIC BOX	BOITE ELECTRONIC	ELECTRONIKBOX	CAJA ELECTRONICA
106	7104875M91	1	ELECTRONIC BOX	BOITE ELECTRONIC	ELECTRONIKBOX	CAJA ELECTRONICA
107	7104876M91	1	ONBOARD COMPUTOR	ORDINATEURDEBORD	BORDCOMPUTER	ORDENADOR A BORD
108	7104877M91	1	ONBOARD COMPUTOR	ORDINATEURDEBORD	BORDCOMPUTER	ORDENADOR A BORD
109	7104900M1	2	VALVE	SOUPAPE	VENTIL	VALVULA
110	7104901M1	2	VALVE	SOUPAPE	VENTIL	VALVULA
111	7104993M1	1	BUZZER	BRUITEUR	SUMMER	EMISOR CLAXON
112	7105440M1	3	RELAY	RELAIS	RELAIS	RELÉ
113	7105550M1	3	FUSE 60A	FUSIBLE 60A	SICHERUNG 60A	FUSIBLE 60A
114	7105551M1	9	FUSE 5A	FUSIBLE 5A	SICHERUNG 5A	FUSIBLE 5A
115	7105552M1	11	FUSE 7,5A	FUSIBLE 7,5A	SICHERUNG 7,5A	FUSIBLE 7,5A
116	7105553M1	11	FUSE 10A	FUSIBLE 10A	SICHERUNG 10A	FUSIBLE 10A
117	7105554M1	6	FUSE 15A	FUSIBLE 15A	SICHERUNG 15A	FUSIBLE 15A
118	7106170M91	1	MODULE	MODULE	MODUL	MÓDULO
119	7106171M91	1	MODULE	MODULE	MODUL	MÓDULO
120	7106942M1	6	BEARING ASSY	ROULEMENT	RADIALLAGER	RODAMIENTO RAD
121	7107430M1	4	EXTENSION	RALLONGE	VERLÄNGERUNG	EXTENSIÓN
122	7107443M1	4	EXTENSION	RALLONGE	VERLÄNGERUNG	EXTENSIÓN
123	7107966M91	1	HYDR CYLINDER	VERIN HYDRAULI.	HYDRAUL.ZYLINDER	CILINDRO HIDRÁUL
124	7107974M91	5	SPEED SENSOR	CAPTEUR VITESSE	GESCHW.SENSOR	ENSOR GIR.
125	7108210M91	1	LEFT HAND ARM	BRAS GAUCHE	LINKS SCHWINGE	BRAZO IZQUIERDA
126	7108211M91	1	RIGHT HAND ARM	BRAS DROITE	RECHTS SCHWINGE	BRAZO DERECHA
127	7108222M91	2	PIVOT	PIVOT	DREHZAPFEN.	PIVOTE
128	7108341M91	3	ACTUATOR	ACTUATEUR	BETÄTIGER	ACTUADOR
129	7108342M91	2	ACTUATOR	ACTUATEUR	BETÄTIGER	ACTUADOR
130	7109480M91	1	COUPLING	CRABOT	KUPPLUNG.	ACOPLAMIENTO
131*	71111057M1	2	FUSE 3A	FUSIBLE 3A	SICHERUNG 3A	FUSIBLE 3A
132*	832778M1	4	BEAR. 6205 2RS	RLT 6205 2RS	LAGER 6205 2RS	RODA. 6205 2RS
133	908543M1	1	BULB S/L 21/5W	AMPOULE 21/5W	GLUEHLAMPE 21/5W	BOMB C/I 21/5W
134	ACZ0001550	1	SASA II SENSOR	CAPTEUR SASA II	SASA II SENSOR	SENSOR
135*	C0360005	1	KIT, ATTACHMENT	JEU ACCESSOIRES	SATZ ANBAUTEILE	JUEGO ACCESORIO
136	D28281840	2	PROTECTION.	PROTECTION	SCHUTZ	PROTECCION
137	D28281870	2	PLATE	PLAQUE	PLATTE	PLACA
138	D28285406	21	RIGHT HAND SLAT	LATTE DROITE	RECHTS LATTE.	LISTON DERECHA
139	D28285407	21	LEFT HAND SLAT	LATTE GAUCHE	LINKS LATTE.	LISTON
140	D28350031	4	SPRING	RESSORT	FEDER	RESORTE
141	D28350037	2	PLATE	PLAQUE	PLATTE	PLACA
142	D28380011	6	TIE ROD	TIRANT	SPANNSTANGE	TIRANTE
143	D28380132	7	SCRAPER	RACLETTTE	RAEUIMER	PALETA
144	D28380142	4	SUSPENSION	SUSPENSION	AUFHAENGUNG.	SUSPENSION
145	D28380621	2	HINGE POST	TENON	SCHARNIERSÄULE	POSTE DE BISAGRA
146	D28380622	1	HINGE POST	TENON	SCHARNIERSÄULE	POSTE DE BISAGRA
147	D28385087	1	HINGE POST	TENON	SCHARNIERSÄULE	POSTE DE BISAGRA
148	D28430010	36	HALF FLANGE	DEMI FLASQUE	HALBFLANSCH	MEDIA PLETINA
149	D28480268	2	BUSH	BAGUE	BUCHSE	CASQUILLO
150*	D28480546	2	GASKET	JOINT	DICHTUNG	JUNTA
151	D28480860	2	TIGHTENER	TENSEUR	SPANNROLLE	TENSADOR
152	D28485223	6	BRACKET	SUPPORT	HALTERUNG	SOPORTE
153	D28485224	10	BRACKET	SUPPORT	HALTERUNG	SOPORTE
154	D28485225	2	PLATE	PLAQUE	PLATTE	PLACA
155	D28485226	2	PLATE	PLAQUE	PLATTE	PLACA
156	D28485234	2	PLATE	PLAQUE	PLATTE	PLACA
157	D28780030	8	PIVOT	PIVOT	DREHZAPFEN.	PIVOTE
158	D28780404	1	BEARING ASSY	ROULEMENT	RADIALLAGER	RODAMIENTO RAD
159	D28780516	7	INDUCTIVE SENSOR	CAPTEUR INDUCTIF	INDUKT EMPFANGER	CAPTADOR INDUCTI
160	D28781735	1	WIRE	FIL	DRAHT	HILO
161	D28782585	4	SENSOR	CAPTEUR	SENSOR	SENSOR
162	D28782915	4	POTENTIOMETER	POTENTIOMÈTRE	POTENTIOMETER	POTENCIÓMETRO
163	D28785685	2	SENSOR	CAPTEUR	SENSOR	SENSOR
164	D28880354	7	SPACER	ENTRETOISE	ABSTANDSTUECK	DISTANCIADOR
165*	D28880488	6	ARM	BRAS	SCHWINGE	BRAZO
166	D28880495	6	LEVER	LEVIER	HEBEL	PALANCA



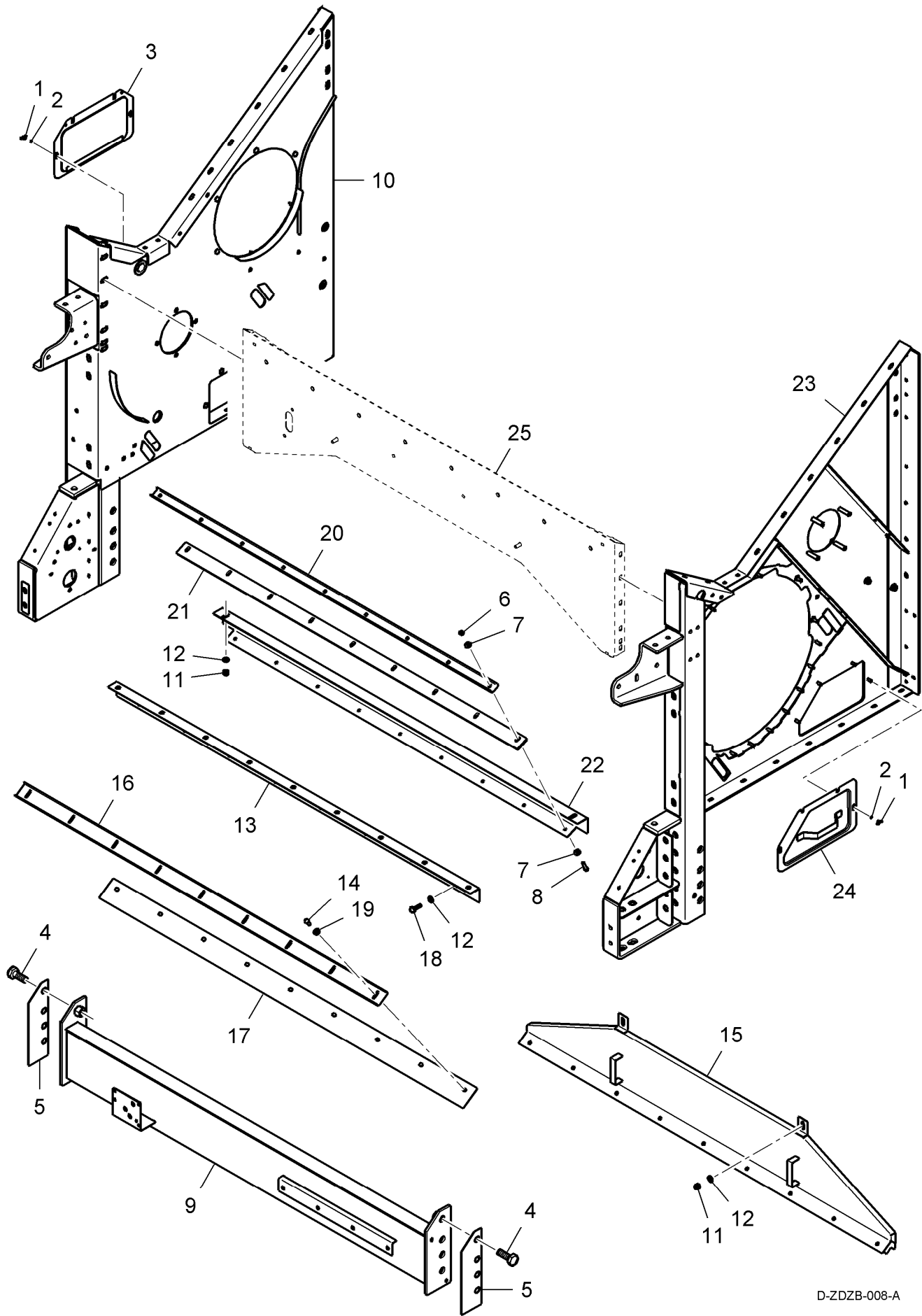
D-AAZM-001-A





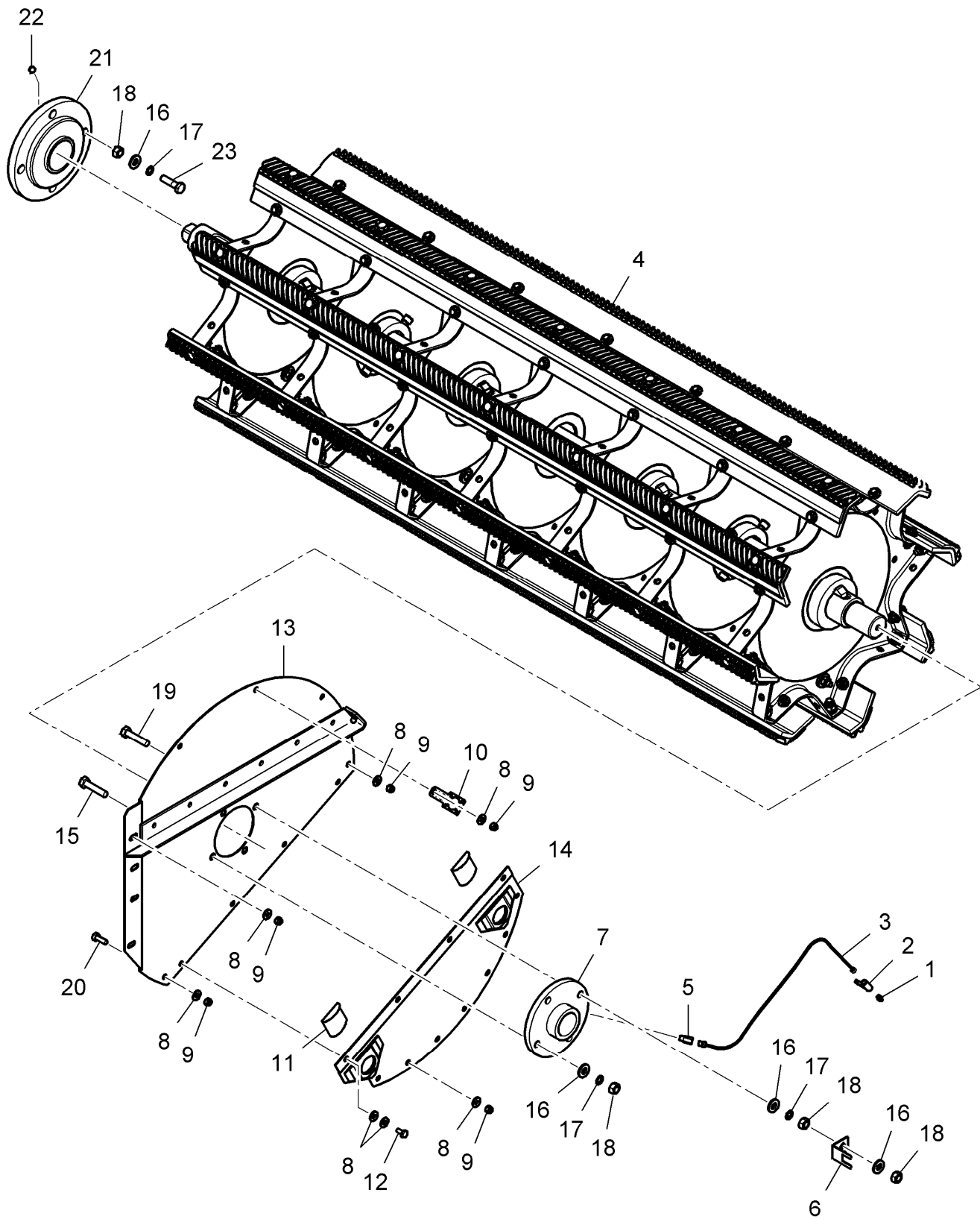
D-AAZI-003-A





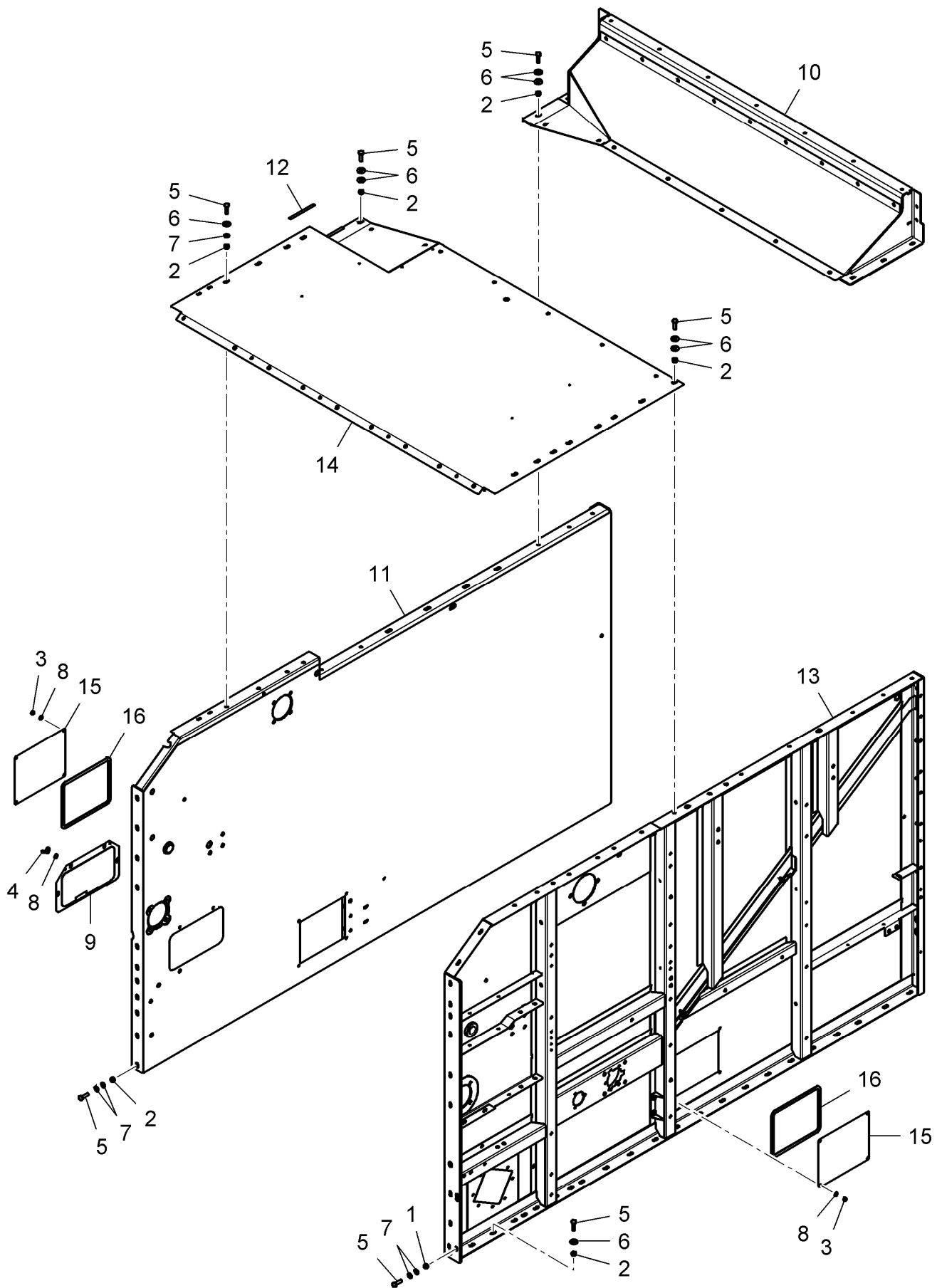
D-ZDZB-008-A





D-ZDZC-013-A

1	D28380103		1	COVER	COUVERCLE	ABDECKUNG.	CUBIERTA
2	D43009600		1	ADAPTER	ADAPTATEUR	ADAPTER	ADAPTADOR
3	D28385023		1	SHIM	CALE	AUSGLEICHSCHEIBE	CALCE
4	D43009200		1	LUBE FITTING	RACCORD LUBRIF.	SCHMIERSTÜCK	CONECTOR LUBRIC.
5	D28380382		1	BEATER	BATTEUR	SCHLAEGER	BATIDOR
6	D41717300		2	BEARING FLANGE	FLASQUE ROULEM.	LAGERFLANSCH	BRIDA COJINETE
7	338686X1	⊘ 13,5-27 x 4 mm	8	FLAT WASHER	RONDELLE PLATE	UNTERLEGSCHLEIBE.	ARANDELA PLANA
8	390735X1	M12	2	FLAT WASHER	RONDELLE PLATE	BEILAGSCHEIBE	ARANDELA PLANA
9	391039X1	⊘ 9,2-24 x 2,2 mm	18	FLAT WASHER	RONDELLE PLATE	UNTERLEGSCHLEIBE.	ARANDELA PLANA
10	390701X1	⊘ 13-24 x 1 mm	2	WASHER METRIC	RONDELLE METR.	SCHLEIBE METRISCH	ARANDELA METRICO
11	D28780831		1	LUBE HOSE	TUYAU LUBRIFIC.	SCHM. SCHLAUCH	MANGUERA LUBRIC.
12	364461X1		1	GREASE FITTING	GRAISSEUR	DRUCKSCHMIERKOPF	ENGRASADOR
13	1440330X1	M12	2	LOCKNUT	ÉCROU FREIN	SICHERUNGSMUTTER	CONTRATUERCA
14	1441500X1	M6	1	NYLON LOCKNUT	ÉCROU AUTOFREINÉ	SICHERUNGSMUTTER	TUERCA RETENCION
15	<b>394367X1</b>	M8	24	NYLON LOCKNUT	ÉCROU AUTOFREINÉ	SICHERUNGSMUTTER	TUERCA RETENCION
16	339054X1	M12	8	NUT	ÉCROU	MUTTER	TUERCA
17	391375X1	M12 x 35	2	HEX CAP SCREW	VIS TETE HEX	SECHKOPFSCHRAUBE	TORNILLO CAB HEX
18	339208X1	M12 x 45	4	HEX CAP SCREW	VIS TETE HEX	SECHKOPFSCHRAUBE	TORNILLO CAB HEX
19	339560X1	M6 x 16	1	HEX CAP SCREW	VIS TETE HEX	SECHKOPFSCHRAUBE	TORNILLO CAB HEX
20	339123X1	M8 x 20	18	HEX CAP SCREW	VIS TETE HEX	SECHKOPFSCHRAUBE	TORNILLO CAB HEX
21	339003X1		1	GREASE FITTING	GRAISSEUR	DRUCKSCHMIERKOPF	ENGRASADOR
22	D43159000		1	KEY	CLAVETTE	PASSFEDERN	CHAVETA
23	D43110600		1	KEY	CLAVETTE	PASSFEDERN	CHAVETA
24	D28380356		2	BUSH	BAGUE	BUCHSE	CASQUILLO
25	3014494X1	M12	8	LOCK WASHER	RONDELLE FREIN	SICHERUNGSRING	ARANDELA SEGURID
26	D28380203		1	GUARD	GARDE	SCHUTZVORR	DEFENSA
27	7107903M91		1	BEATER	BATTEUR	SCHLAEGER	BATIDOR
28	D28380423	27	6	PLATE	PLAQUE	PLATTE	PLACA
29	D40477200	27 M10 x 30	36	HEX CAP SCREW	VIS TETE HEX	SECHKOPFSCHRAUBE	TORNILLO CAB HEX
30	3011484X1	27 M10	36	FLAT WASHER	RONDELLE PLATE	UNTERLEGSCHLEIBE.	ARANDELA PLANA
31	339376X1	27 M10	36	LOCK WASHER	RONDELLE FREIN	SICHERUNGSRING	ARANDELA SEGURID

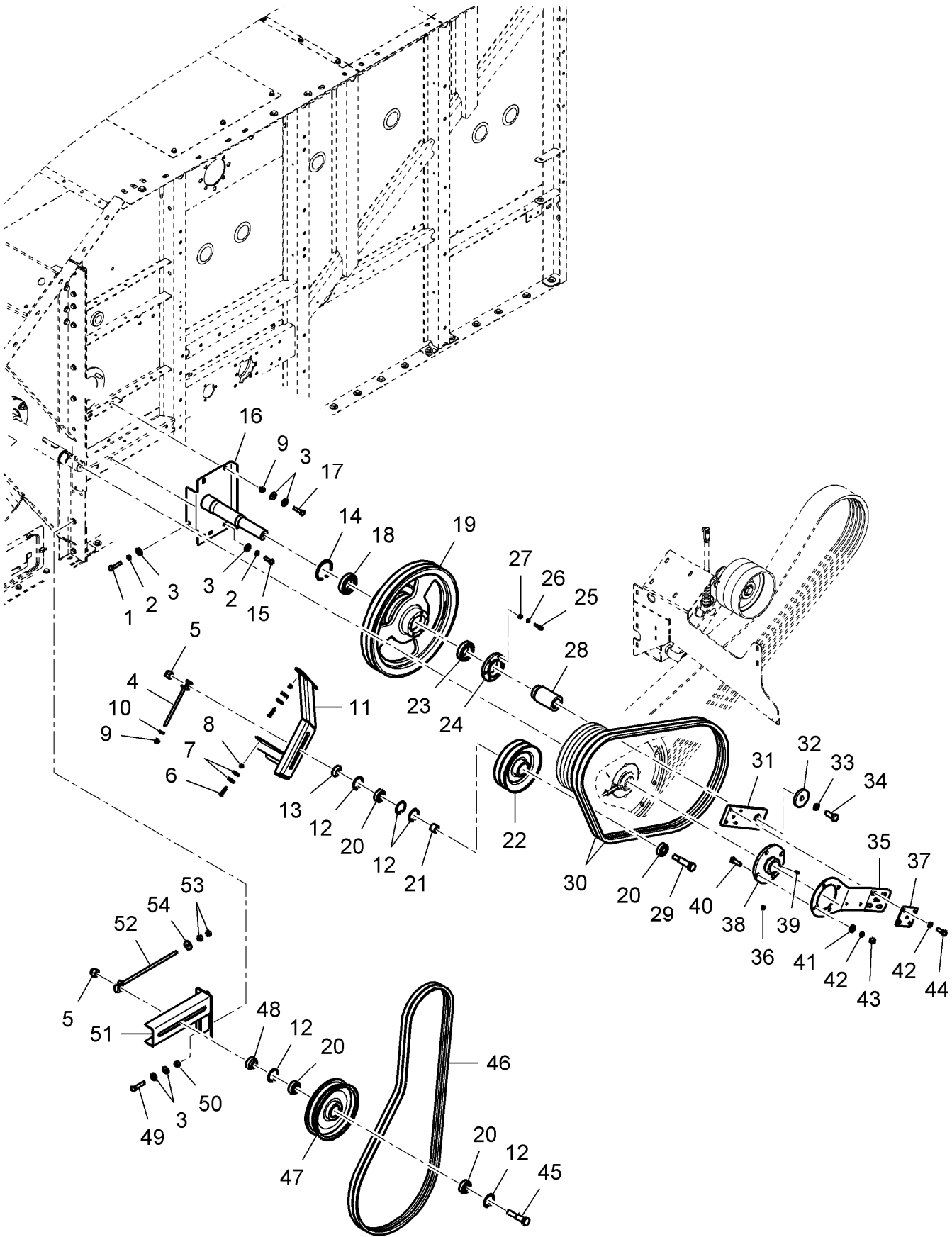


D-ZFZR-001-A



9490 X		9490 X AL		Rotor - 5			
		RTS code	Time	Tool	05 06: ROTOR DISCHARGE	Part no.	Fig no.
X	X	019.1902	8.00		ROTOR DISCHARGE HOUSING	6262920M91	05 06 023
X	X	019.1902	0.75		DEFLECTOR PLATE AT DISCHARGE	6273390M91	05 06 025
X	X	019.1902	0.50		BRACKET	6262490M91	05 06 028
X	X	019.1902	1.00		CURVED PLATE	6263035M91	05 06 029
X	X	019.1902	0.50		DISCHARGE, GUIDE PLATE	6272174M1	05 06 031
X	X	019.1902	1.00		DISCHARGE, COVER PLATE - BOTTOM	6273385M91	05 06 033
X	X	019.1902	0.25		DISCHARGE, COVER PLATE - TOP	6272176M1	05 06 035
X	X	019.1902	0.50		DEFLECTOR PLATE TOWARDS STRAW CHOPPER	6263037M91	05 06 040

1	391039X1	⊙ 9,2-24 x 2,2 mm	71	FLAT WASHER	RONDELLE PLATE	UNTERLEGSCHLEIBE.	ARANDELA PLANA
2	339761X1	M8 x 25	32	HEX CAP SCREW	VIS TETE HEX	SECHKOPFSCHRAUBE	TORNILLO CAB HEX
3	7105668M91		1	BRACKET	SUPPORT	HALTERUNG	SOPORTE
4	7104596M91	◀	1	SHIELD	TOLE	SCHILD	BLINDAJE
5	7105666M91		1	BRACKET	SUPPORT	HALTERUNG	SOPORTE
6	7109004M91		1	BRACKET	SUPPORT	HALTERUNG	SOPORTE
7	7105660M91		1	SHIELD	TOLE	SCHILD	BLINDAJE
8	7104605M91	▶	1	SHIELD	TOLE	SCHILD	BLINDAJE
9	339123X1	M8 x 20	3	HEX CAP SCREW	VIS TETE HEX	SECHKOPFSCHRAUBE	TORNILLO CAB HEX
10	7104603M1	▶	1	SHIELD	TOLE	SCHILD	BLINDAJE
11	7105680M91	▶	1	SHIELD	TOLE	SCHILD	BLINDAJE
12	LA320797250		1	PUSH ROD	TIGE POUSSOIR	STÖSSEL	VARILLA
13	<b>394367X1</b>	M8	20	NYLON LOCKNUT	ÉCROU AUTOFREINÉ	SICHERUNGSMUTTER	TUERCA RETENCION
14	7106696M91		1	SHIELD	TOLE	SCHILD	BLINDAJE
15	7105639M1	◀▶ 421 mm	2	RUBBER SEAL	JOINT CAOUTCHOUC	GUMMIDICHTUNG	SELLO DE GOMA
16	7105686M1		1	RUBBER SEAL	JOINT CAOUTCHOUC	GUMMIDICHTUNG	SELLO DE GOMA
17	3014492X1	M8	42	LOCK WASHER	RONDELLE FREIN	SICHERUNGSRING	ARANDELA SEGURID
18	339337X1	M8 x 30	5	HEX CAP SCREW	VIS TETE HEX	SECHKOPFSCHRAUBE	TORNILLO CAB HEX
19	LA320899350		24	LOCK WASHER	RONDELLE FREIN	SICHERUNGSRING	ARANDELA SEGURID
20	7105683M91		1	SHIELD	TOLE	SCHILD	BLINDAJE
21	7105677M1		1	BLANKING PLATE	PLAQUE OBTURA.	VERSCHL.PLATTE	PLACA DRENAJE
22	LA321551650		24	PUSH ROD	TIGE POUSSOIR	STÖSSEL	VARILLA
23	339451X1	M10 x 30	2	HEX CAP SCREW	VIS TETE HEX	SECHKOPFSCHRAUBE	TORNILLO CAB HEX
24	390597X1	⊙ 11,3-30 x 2 mm	4	FLAT WASHER	RONDELLE PLATE	UNTERLEGSCHLEIBE.	ARANDELA PLANA
25	1440329X1	M10	2	NYLON LOCKNUT	ÉCROU AUTOFREINÉ	SICHERUNGSMUTTER	TUERCA RETENCION
26	7108322M91	▶	1	SHIELD	TOLE	SCHILD	BLINDAJE
27	7104560M91	▶	1	FENDER	AILE	SCHUTZBLECH	GUARDABARROS
28	7105642M91	▶	1	SHIELD	TOLE	SCHILD	BLINDAJE
29	D43385200	M8 x 16	4	KNOB	POMMEAU	KNOPF	POMO
30	7108432M91	▶	1	SLIDE PANEL	PANNEAU LATÉRAL	SEITENPLATTE	PANEL LATERAL
31	3014494X1	M12	1	LOCK WASHER	RONDELLE FREIN	SICHERUNGSRING	ARANDELA SEGURID
32	7107592M1		1	PIVOT	PIVOT	DREHZAPFEN.	PIVOTE
33	7104600M91	▶	1	SUPPORT	SUPPORT	TRAGER	SOPORTE
34	7104566M91	▶	1	FENDER	AILE	SCHUTZBLECH	GUARDABARROS
35	7104576M91		1	SUPPORT	SUPPORT	TRAGER	SOPORTE
36	7104580M91		1	SUPPORT	SUPPORT	TRAGER	SOPORTE
37	339010X1	M8 x 40	8	HEX CAP SCREW	VIS TETE HEX	SECHKOPFSCHRAUBE	TORNILLO CAB HEX
38	7104587M91	▶	1	SHIELD	TOLE	SCHILD	BLINDAJE
39	1441330X1	M8 x 40	2	WING SCREW	VIS À AILETTES	FLÜGELSCHRAUBE	TORNILLO MARIP.
40	7107413M91		1	SUPPORT	SUPPORT	TRAGER	SOPORTE
41	7105657M91	▶	1	SUPPORT	SUPPORT	TRAGER	SOPORTE
42	7107417M1		1	SUPPORT	SUPPORT	TRAGER	SOPORTE
43	339402X1	M10	1	NUT METRIC	ECROU METRIQUE	MUTTER METRISCH	TUERCA METRICO
44	390734X1	M10	1	FLAT WASHER	RONDELLE PLATE	UNTERLEGSCHLEIBE.	ARANDELA PLANA
45	LA340415514	10,5X14X9	1	BUSH	BAGUE	BUCHSE	CASQUILLO
46	3015402X1	⊙ 3,5 x 80 mm	1	PIN	GOUPILLE	STIFT	PASADOR
47	339401X1	M10 x 25	1	HEX CAP SCREW	VIS TETE HEX	SECHKOPFSCHRAUBE	TORNILLO CAB HEX
48	<b>LA322358</b>	M8	4	SPRING WASHER	RONDELLE ELASTIQ	FEDERSCHLEIBE	ARANDELA ELASTI.
49	LA321551650		6	PUSH ROD	TIGE POUSSOIR	STÖSSEL	VARILLA
50	339169X1	M8	2	HEX NUT	ÉCROU HEXAGONAL	SECHSKANTMUTTER	TUERCA HEXAGONAL
51	385370X1	M8 x 25	2	CARRIAGE BOLT	VIS COLLET CARRE	SCHLOSSSCHRAUBE	TORNILLO C. CUAD
52	391039X1	M8	2	FLAT WASHER	RONDELLE PLATE	UNTERLEGSCHLEIBE.	ARANDELA PLANA
53	7107158M91		1	SUPPORT	SUPPORT	TRAGER	SOPORTE
54	7106699M1	▶	1	COVER	COUVERCLE	ABDECKUNG.	CUBIERTA
55	7106697M91		1	SUPPORT	SUPPORT	TRAGER	SOPORTE
56	7106723M1		1	EDGE PROTECTION	PROTECTION DES	KANTENSCHUTZ	PROTECCIÓN BORDE
57	339123X1	M8 x 20	2	HEX CAP SCREW	VIS TETE HEX	SECHKOPFSCHRAUBE	TORNILLO CAB HEX
58	7106724M1		1	EDGE PROTECTION	PROTECTION DES	KANTENSCHUTZ	PROTECCIÓN BORDE



D-ZFZF-007-A



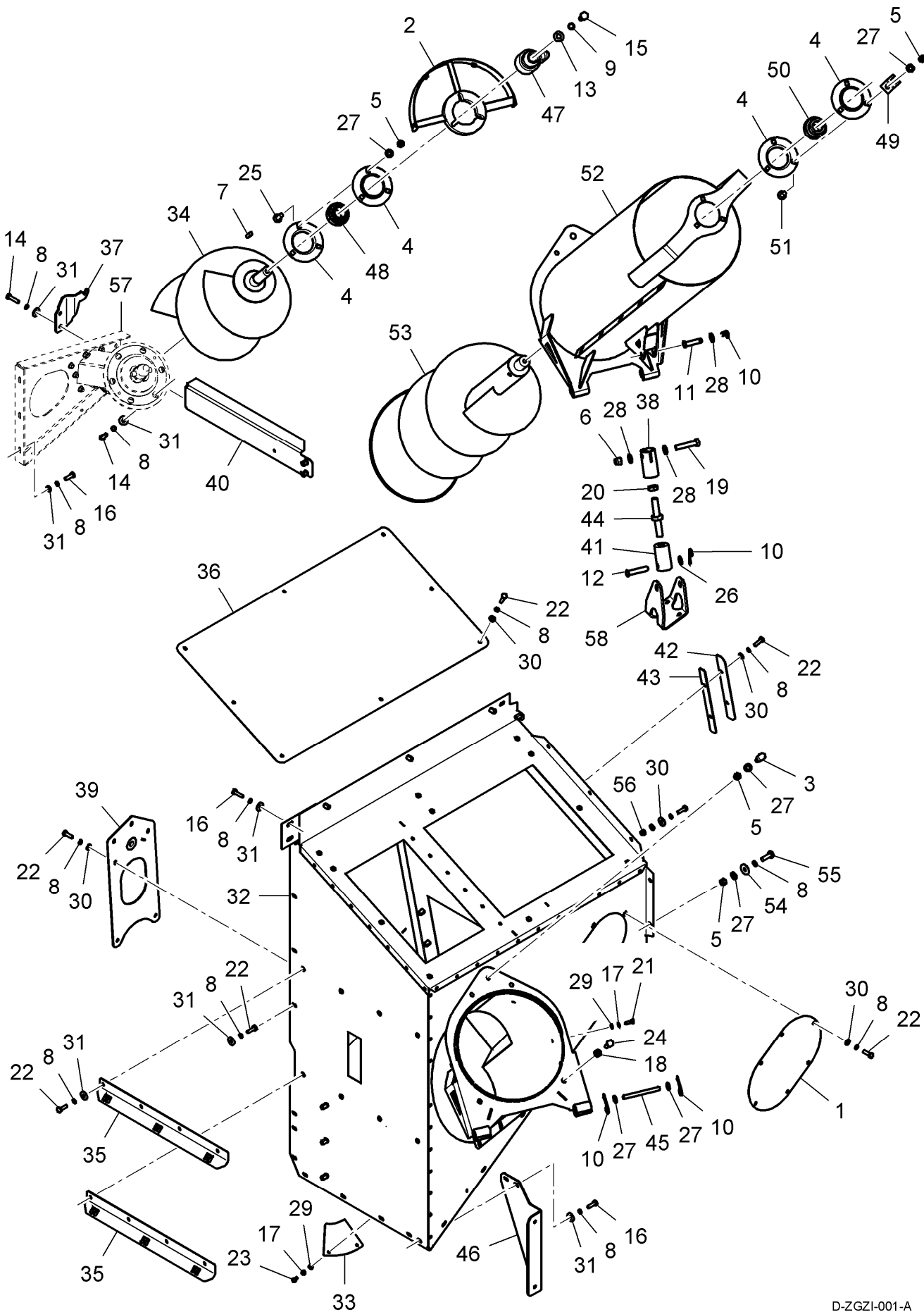
9490 X	9490 X AL	<b>Shaker Shoe and Fanning Mill - 6</b>					
		RTS code	Time	Tool	06 11: TOP SHAKER SHOE AND SEALS	Part no.	Fig no.
X	X	004.0404	1.50		SIDE SEAL, TOP SHAKER SHOE	D28480546	06 11 015
X	X	004.0404	8.50		TOP SHAKER SHOE ASSEMBLY	D28480542	06 11 017

1	D28482375		2	CHAFFER	TAMIS	SPREUSIEB	TAMIZ
1	7108072M91	[A]	2	CHAFFER	TAMIS	SPREUSIEB	TAMIZ
2	D28482314		2	BRACKET	SUPPORT	HALTERUNG	SOPORTE
3	391212X1	M12	2	FLAT WASHER	RONDELLE PLATE	UNTERLEGSSCHEIBE.	ARANDELA PLANA
4	3003157X1	∅ 10 x 28 mm	4	CLEVIS PIN	AXE	ABSTECKBOLZEN	BULON CILINDRICO
5	D44358000		4	HAIR PIN	EPINGLE	SICHERUNGSFEDER	RETENEDOR ELAST
6	390912X1	M12 x 40	2	HEX CAP SCREW	VIS TETE HEX	SECHKOPFSCHRAUBE	TORNILLO CAB HEX
7	390735X1	M12	8	FLAT WASHER	RONDELLE PLATE	BEILAGSCHEIBE	ARANDELA PLANA
8	1440330X1	M12	4	LOCKNUT	ÉCROU FREIN	SICHERUNGSMUTTER	CONTRATUERCA
9	391244X1	M6 x 45	4	HEX CAP SCREW	VIS TETE HEX	SECHKOPFSCHRAUBE	TORNILLO CAB HEX
10	390971X1	M6	8	FLAT WASHER	RONDELLE PLATE	UNTERLEGSSCHEIBE.	ARANDELA PLANA
11	1441500X1	M6	4	NYLON LOCKNUT	ÉCROU AUTOFREINÉ	SICHERUNGSMUTTER	TUERCA RETENCION
12	339139X1	M12 x 25	2	HEX CAP SCREW	VIS TETE HEX	SECHKOPFSCHRAUBE	TORNILLO CAB HEX
13	3014494X1	M12	2	LOCK WASHER	RONDELLE FREIN	SICHERUNGSRING	ARANDELA SEGURID
14	391375X1	M12 x 35	2	HEX CAP SCREW	VIS TETE HEX	SECHKOPFSCHRAUBE	TORNILLO CAB HEX

[A] HIGH CAPACITY  
HAUTE CAPACITÉ  
HOHER KAPAZITÄT  
ALTA CAPACIDAD

9490 X		9490 X AL		Elevators - 7			
		RTS code	Time	Tool	07 01: COUNTER DRIVE	Part no.	Fig no.
X	X	006.0608	1.50		BEARING	D41707900	07 01 003
X	X	006.0608	2.50		INTERMEDIATE SHAFT, ELEVATOR DRIVE	6248661M1	07 01 008
X	X	006.0608	2.50		INNER PULLEY, INTERMEDIATE SHAFT	6248662M1	07 01 010
X	X	006.0608	2.50		BEARING	D41707800	07 01 015
X	X	006.0608	2.50		PULLEY, COUNTERSHAFT	6248659M1	07 01 016
X	X	006.0608	2.00		DRIVEBELT	6248658M1	07 01 018
X	X	006.0608	0.75		TIE ROD, TENSIONER PULLEY	D28380011	07 01 023
X	X	006.0608	0.75		TENSIONER PULLEY	D28250441	07 01 030
X	X	006.0608	0.75		TENSIONER PULLEY ARM	D28880495	07 01 036

1	7058795M91		1	CHAIN	CHAÎNE	KETTE	CADENA
2	391039X1	1 M8	72	FLAT WASHER	RONDELLE PLATE	UNTERLEGSCHIEBE.	ARANDELA PLANA
3	<b>394367X1</b>	1 M8	72	NYLON LOCKNUT	ÉCROU AUTOFREINÉ	SICHERUNGSMUTTER	TUERCA RETENCION
4	<b>71461496</b>	1	36	SCRAPER	RACLETTE	RAEUMER	PALETA
5	339337X1	1 M8 x 30	72	HEX CAP SCREW	VIS TETE HEX	SECHKOPFSCHRAUBE	TORNILLO CAB HEX
6	<b>7058796M91</b>	1	1	CHAIN	CHAÎNE	KETTE	CADENA
7	339451X1	M10 x 30	1	HEX CAP SCREW	VIS TETE HEX	SECHKOPFSCHRAUBE	TORNILLO CAB HEX
8	3014493X1	M10	3	LOCK WASHER	RONDELLE FREIN	SICHERUNGSRING	ARANDELA SEGURID
9	339768X1	⊙ 11-45 x 3,5 mm	1	FLAT WASHER	RONDELLE PLATE	BEILAGSCHIEBE	ARANDELA PLANA
10	<b>394367X1</b>	M8	2	NYLON LOCKNUT	ÉCROU AUTOFREINÉ	SICHERUNGSMUTTER	TUERCA RETENCION
11	339337X1	M8 x 30	2	HEX CAP SCREW	VIS TETE HEX	SECHKOPFSCHRAUBE	TORNILLO CAB HEX
12	7059977M1		1	SPACER TUBE	TUBE	DISTANZROHR	TUBO.
13	D28580719		1	SPROCKET	BARBOTIN	KETTENRAD	RUEDA DENTADA
14	<b>339474X1</b>		1	PARALLEL KEY	CLÉ PARALLÈLE	PASSFEDER	LLAVE PARALELA
15	7059440M91		1	AUGER	VIS SANS FIN	FÖRDERSCHECKE	SINFÍN
16	385385X1	M10 x 50	1	CARRIAGE BOLT	VIS COLLET CARRE	SCHLOSSSCHRAUBE	TORNILLO C. CUAD
17	390734X1	M10	4	FLAT WASHER	RONDELLE PLATE	UNTERLEGSCHIEBE.	ARANDELA PLANA
18	390972X1	M8	1	FLAT WASHER	RONDELLE PLATE	UNTERLEGSCHIEBE.	ARANDELA PLANA
19	1440329X1	M10	4	NYLON LOCKNUT	ÉCROU AUTOFREINÉ	SICHERUNGSMUTTER	TUERCA RETENCION
20	7059448M1		1	BEARING PLATE	PLAQUE ROULEMENT	LAGERPLATTE	PLACA DE APOYO
21	385374X1	M10 x 30	2	CARRIAGE BOLT	VIS COLLET CARRE	SCHLOSSSCHRAUBE	TORNILLO C. CUAD
22	D41707800		1	BEARING FLANGE	FLASQUE ROULEM.	LAGERFLANSCH	BRIDA COJINETE
23	D28780522		1	SUPPORT	SUPPORT	TRAGER	SOPORTE
24	7061964M91		1	SUPPORT	SUPPORT	TRAGER	SOPORTE
25	339123X1	M8 x 20	4	HEX CAP SCREW	VIS TETE HEX	SECHKOPFSCHRAUBE	TORNILLO CAB HEX
26	3014492X1	M8	68	LOCK WASHER	RONDELLE FREIN	SICHERUNGSRING	ARANDELA SEGURID
27	391039X1	M10	8	FLAT WASHER	RONDELLE PLATE	UNTERLEGSCHIEBE.	ARANDELA PLANA
28		👁 7-5 No		RISER	ELEVATEUR	HUBVORRICHTUNG	CJTO.ELEVADOR
29	7107796M1		1	FOAM	MOUSSE	SCHAUMSTOFF	ESPUMA



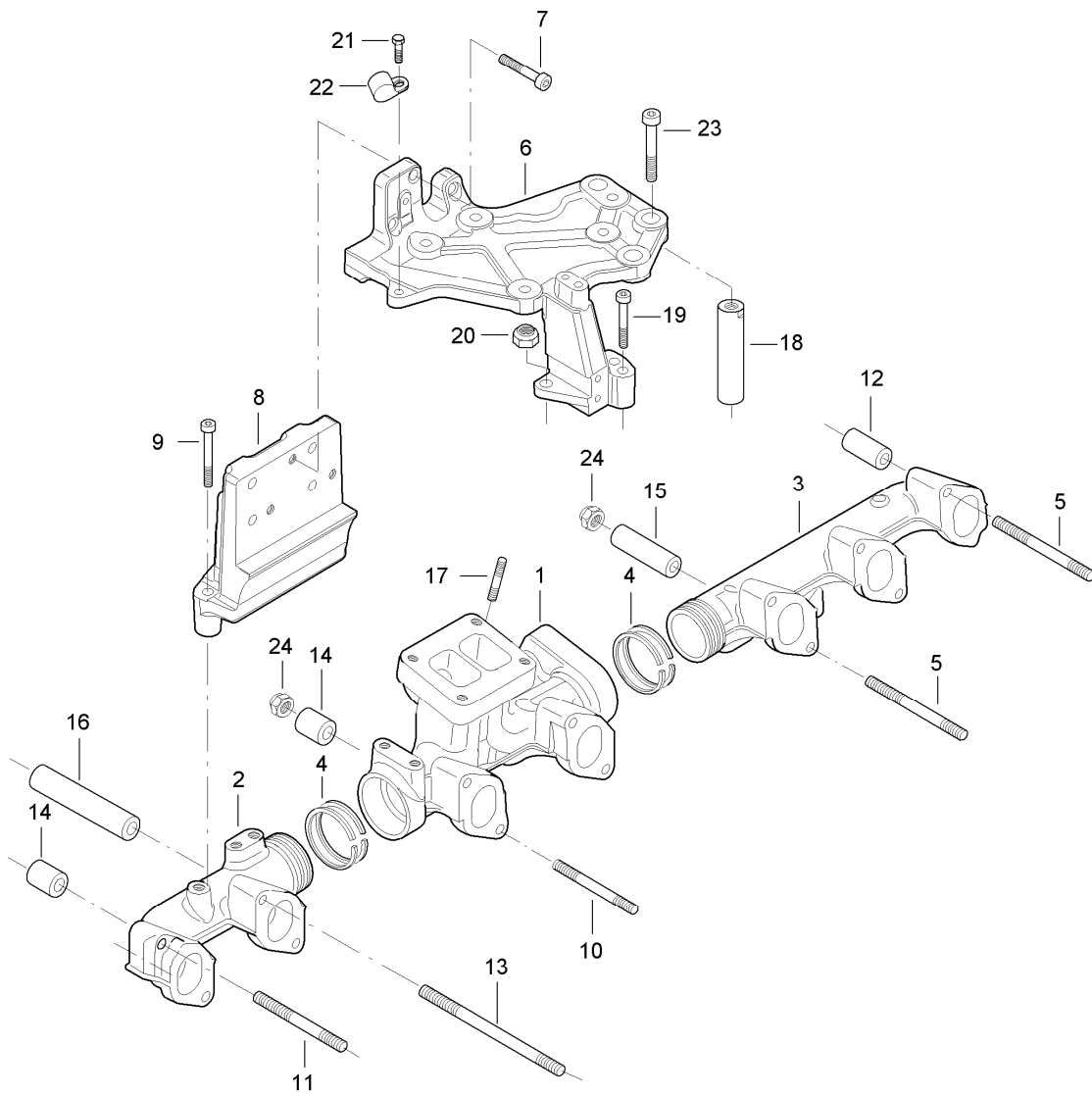
D-ZGZI-001-A



9490 X	9490 X AL	Engine - 8					
		RTS code	Time	Tool	08 03: TIMING GEAR HOUSING	Part no.	Fig no.
X	X	010.1021	31.00		TIMING GEAR HOUSING	V837074712	08 03 001
X	X	010.1021	21.00		INTERMEDIATE GEAR	V837073583	08 03 007
X	X	010.1021	20.00		TIMING GEAR COVER	V837074715	08 03 014
X	X	010.1008	18.00		SEALING RING, TIMING GEAR HOUSING	V837073504	08 03 017

1	V837069016		1	ROCKER SHAFT ASM	RAMPE CULBUTEURS	KIPPHEBELACHSE	CONJ.EJE BALANC
2	V837069011	1 INLET	3	ROCKER ARM	CULBUTEUR	KIPPHEBEL	BRAZO BALANCÍN
3	V512861000	2	3	NUT	ÉCROU	MUTTER	TUERCA
4	V837069023	2	3	ADJUSTMENT SCREW	VIS RÉGLAGE	EINSTELLSCHRAUBE	TORNILLO AJUSTE
5	V837069020	1	2	PLUG	BOUCHON	STECKER	TAPÓN
6	V837069013	1 EXHAUST	3	ROCKER ARM	CULBUTEUR	KIPPHEBEL	BRAZO BALANCÍN
7	V512861000	6	3	NUT	ÉCROU	MUTTER	TUERCA
8	V837069023	6	3	ADJUSTMENT SCREW	VIS RÉGLAGE	EINSTELLSCHRAUBE	TORNILLO AJUSTE
9	V837069017	1	2	BRACKET	SUPPORT FIXATION	HALTER.	ESTRIBO
10	V837069019	1	2	SPRING	RESSORT	FEDER	RESORTE
11	V837069015	1	1	SHAFT	ARBRE	WELLE	ARBOL
12	V837069018	1	1	BRACKET	SUPPORT FIXATION	HALTER.	ESTRIBO
13	V837070105		1	ROCKER SHAFT ASM	RAMPE CULBUTEURS	KIPPHEBELACHSE	CONJ.EJE BALANC
14	V837069011	13 INLET	4	ROCKER ARM	CULBUTEUR	KIPPHEBEL	BRAZO BALANCÍN
15	V512861000	14	4	NUT	ÉCROU	MUTTER	TUERCA
16	V837069023	14	4	ADJUSTMENT SCREW	VIS RÉGLAGE	EINSTELLSCHRAUBE	TORNILLO AJUSTE
17	V837069020	13	2	PLUG	BOUCHON	STECKER	TAPÓN
18	V837069013	13 EXHAUST	4	ROCKER ARM	CULBUTEUR	KIPPHEBEL	BRAZO BALANCÍN
19	V512861000	18	4	NUT	ÉCROU	MUTTER	TUERCA
20	V837069023	18	4	ADJUSTMENT SCREW	VIS RÉGLAGE	EINSTELLSCHRAUBE	TORNILLO AJUSTE
21	V837069017	13	3	BRACKET	SUPPORT FIXATION	HALTER.	ESTRIBO
22	V837069019	13	3	SPRING	RESSORT	FEDER	RESORTE
23	V837070104	13	1	SHAFT	ARBRE	WELLE	ARBOL
24	V837069018	13	1	BRACKET	SUPPORT FIXATION	HALTER.	ESTRIBO
25	V836655406		5	HEX NUT	ÉCROU HEXAGONAL	SECHSKANTMUTTER	TUERCA HEXAGONAL
26	V529801910	M10 X 80	2	HEX CAP SCREW	VIS TETE HEX	SECHKOPFSCHRAUBE	TORNILLO CAB HEX
27	V837073089		14	GUIDE	GUIDE	FÜHRUNG	GUÍA
28	V837069014		14	PUSH ROD	TIGE POUSSOIR	STÖSSEL	VARILLA
29	V836014264		14	TAPPET	POUSSOIR SOUPEPE	VENTILSTOESSEL	EMPUJADOR VALVU.
30	V837073488		1	CAMSHAFT	ARBRE À CAMES	NOCKENWELLE	ÁRBOL DE LEVAS
31	V603305760		1	WOODRUFF KEY	CLÉ	PASSFEDERNUT	LLAVE WOODRUFF
32	V837073675		1	GEAR,CAMSHAFT	PIGN.ARBRE/CAMES	ZAHNRAD,NOCKENW.	ANG. ARBOL LEVAS
33	V837069085		1	NUT	ÉCROU	MUTTER	TUERCA
34	V837069022		1	ROCKER COVER	CACHE SOUPEPE	ABDECKUNG	CUBIERTA BALANC.
35	V837067881	[A]	1	COVER GASKET	JOINT CACHE	ABDECK DICHTUNG	EMPAQUETADURA
36	V614704850	[A]	1	O-RING	JOINT TORIQUE	O-RING	JUNTA TÓRICA
37	V836659968	M50 X 4	1	OIL FILLER CAP	BOUCHON	ÖLFÜLLDECKEL	TAPON
38	V540801780	M10 X 20	5	HEX CAP SCREW	VIS TETE HEX	SECHKOPFSCHRAUBE	TORNILLO CAB HEX
39	V614901030	[A]	10	O-RING	JOINT TORIQUE	O-RING	JUNTA TÓRICA
40	V540801910	M10 X 80	5	SCREW	VIS	SCHRAUBE	TORNILLO
41	V837073090		1	ROCKER COVER	CACHE SOUPEPE	ABDECKUNG	CUBIERTA BALANC.
42	V519600602	41 M6	1	HEX NUT	ÉCROU HEXAGONAL	SECHSKANTMUTTER	TUERCA HEXAGONAL
43	V836667508	41	1	SEALING WASHER	RONDELLE ETANCH.	DICHRING	ARANDELA SELLADO
44	V837070442	41	1	BREATHER	RENIFLARD	ENTLÜFTER	RESPIRADOR
45	V836667459	41	1	GASKET	JOINT	DICHTUNG	JUNTA
46	V837070443	41	1	BREATHER	RENIFLARD	ENTLÜFTER	RESPIRADOR
47	V528801172	41 M6 X 60	1	HEX CAP SCREW	VIS TETE HEX	SECHKOPFSCHRAUBE	TORNILLO CAB HEX
48	V837070128	[A]	1	COVER GASKET	JOINT CACHE	ABDECK DICHTUNG	EMPAQUETADURA

[A] INCLUDED IN GASKET SET FOR CYLINDER HEAD  
 INCLUS DANS POCHETTE DE JOINTS POUR CULASSE  
 IM DICHTUNGSSATZ FÜR ZYLINDERKOPF  
 INCLUIDO EN EL JUEGO DE JUNTAS DE CULATA



D-0330-002-A



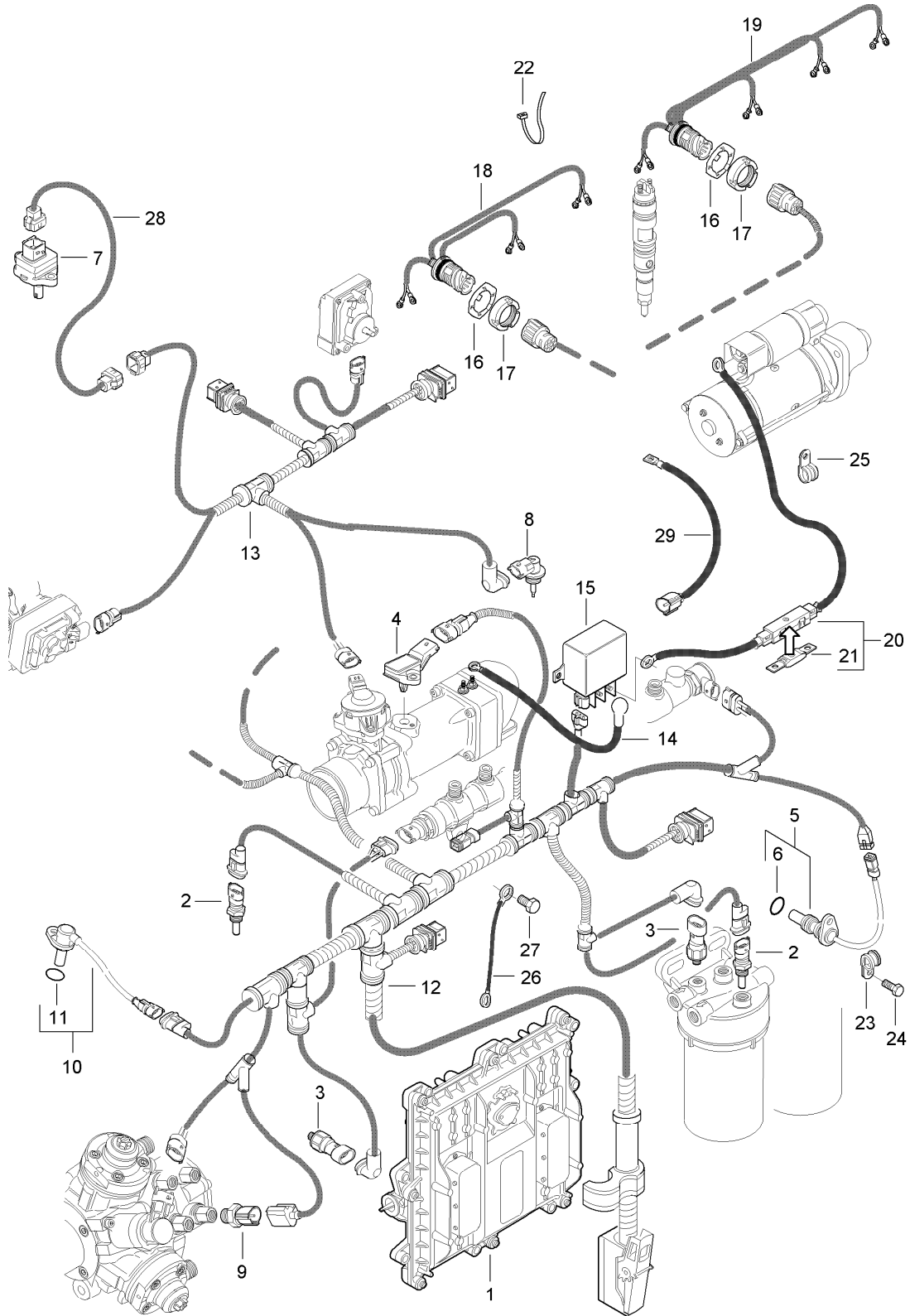
9490 X	9490 X AL	Engine - 8					
		RTS code	Time	Tool	08 14: OIL COOLER	Part no.	Fig no.
X	X	010.1012	2.50		OIL COOLER HOUSING	V837074938	08 14 001
X	X	010.1012	3.50		OIL COOLER ELEMENT	V837084028	08 14 002
X	X	010.1012	0.25		O-RING	V614602030	08 14 004
X	X	010.1012	0.25		PIPE	V836884042	08 14 008
X	X	010.1012	0.25		O-RING	V614602430	08 14 009
X	X	010.1012	0.25		PIPE	V836884041	08 14 010
X	X	010.1012	0.25		OIL FILTER	V836379588	08 14 019
X	X	010.1012	0.50		PRESSURE CONTROL VALVE	V836662130	08 14 020

1	V837079850		1	KIT, WATER PUMP	JEU POMPE A EAU	WASSERPUMPENSATZ	JGO.BOMBA AGUA
2	V617330052	1 [C]	1	LOCK RING	BAGUE DE RETENUE	SPERR-RING	ANILLO DE CIERRE
3	V610063044	1 [C]	2	BALL BEARING	ROULEMENT BILLES	KUGELLAGER	COJINETE BOLAS
4	V836747716	1	1	SLEEVE	MANCHON	HÜLSE	MANGUITO
5		1	1	SHAFT	ARBRE	WELLE	ARBOL
6		1	1	FRAME	BATI	RAHMEN	BASTIDOR
7	V837073981	1 [C]	1	CARTRIDGE GASKET	JOINT CARTOUCHE	PATRON. DICHTUNG	EMPAQUETADURA
8		1	1	BLADE WHEEL	ROUE A AILETTES	SCHNEIDRAD	RUEDA
9	V614612530	1 [C]	1	O-RING	JOINT TORIQUE	O-RING	JUNTA TÓRICA
10		1	1	BACK PLATE	PLAQUE ARRIERE	RÜCKWAND	PLACA TRASERA
11	V836867659	1	3	WASHER	RONDELLE	SCHRAUBENBEILAGE	ARANDELA
12	V528801052	1 M6 X 12	3	HEX CAP SCREW	VIS TETE HEX	SECHKOPFSCHRAUBE	TORNILLO CAB HEX
13	V614602430	1 [AC]	2	O-RING	JOINT TORIQUE	O-RING	JUNTA TÓRICA
14	V615881822	1 [BC]	1	SEALING WASHER	RONDELLE ETANCH.	DICHTRING	ARANDELA SELLADO
15	V640325018	1	1	PLUG	BOUCHON	STÖPSEL	TAPON
16	V528801780	1 M10 X 20	1	HEX CAP SCREW	VIS TETE HEX	SECHKOPFSCHRAUBE	TORNILLO CAB HEX
17	V837084546	1	1	WASHER	RONDELLE	SCHRAUBENBEILAGE	ARANDELA
18	V836322190	1 [AC]	1	GASKET	JOINT	DICHTUNG	JUNTA
19	V837073622	1 [BC]	1	GASKET	JOINT	DICHTUNG	JUNTA
20	V615882227	1 [BC]	2	SEALING WASHER	RONDELLE ETANCH.	DICHTRING	ARANDELA SELLADO
21	VKH3635	1 [BC]	1	SEALING WASHER	RONDELLE ETANCH.	DICHTRING	ARANDELA SELLADO
22	V581804602	M8 X 20	5	HEX SOCKET SCREW	VIS 6 PANS CREUX	INNBUSCHRAUBE	TORNILLO HEX CAB
23	V581804702	M8 X 65	2	HEX SOCKET SCREW	VIS 6 PANS CREUX	INNBUSCHRAUBE	TORNILLO HEX CAB
24	VGR0277		1	PLUG	BOUCHON	STECKER	TAPÓN
25	V640325018		3	PLUG	BOUCHON	STÖPSEL	TAPON
26	V640045022		2	PLUG	BOUCHON	STÖPSEL	TAPON
27	V837073606		1	RIBBED PULLEY	POULIE COURROIE	RIEMENSCHLEIBE	POLEA CORREA
28	V836855602		1	WATER PIPE	TUYAUTERIE D'EAU	WASSERLEITUNG	TUBO DE AGUA
29	V529801420	M8 X 35	6	HEX CAP SCREW	VIS TETE HEX	SECHKOPFSCHRAUBE	TORNILLO CAB HEX
30	V836336425		1	PLATE	PLAQUE	ZWISCHENPLATTE	PLACA INTERMEDIA
31	V836855603	[A]	1	GASKET	JOINT	DICHTUNG	JUNTA
32	V836331590	83° C	1	THERMOSTAT	THERMOSTAT	THERMOSTAT	TERMOSTATO
33	V836015156	79° C	1	THERMOSTAT	THERMOSTAT	THERMOSTAT	TERMOSTATO
34	V837084285		1	THERM. HOUSING	CARTER THERMOST.	THERM.GEHAUSE	CUERPO TERMOSTA.
35	V836646393	[A]	1	GASKET	JOINT	DICHTUNG	JUNTA
36	V837073640		1	WATER PIPE	TUYAUTERIE D'EAU	WASSERLEITUNG	TUBO DE AGUA
37	VKH3618	[A]	1	SEAL RING	ANNEAU	DICHTUNGSRING	ANILLO DE SELLO
38	V640325110		1	PLUG	BOUCHON	STÖPSEL	TAPON
39	V615871014	[A]	1	SEALING WASHER	RONDELLE ETANCH.	DICHTRING	ARANDELA SELLADO
40	V529801550	M8 X 100	2	HEX CAP SCREW	VIS TETE HEX	SECHKOPFSCHRAUBE	TORNILLO CAB HEX
41	V615881822	[B]	3	SEALING WASHER	RONDELLE ETANCH.	DICHTRING	ARANDELA SELLADO
42	V640325014		1	PLUG	BOUCHON	STÖPSEL	TAPON
43	V685040894		1	MULTIRIBBED BELT	COURROIE NERVUR.	MULTIRIPP.RIEMEN	CORREA ACANALADA
44	V837079851		1	REPAIR KIT	KITS RÉPARATION	REPARATURSATZ	JUEGO REPARACIÓN

[A] INCLUDED IN GASKET SET FOR CYLINDER HEAD  
INCLUS DANS POCHETTE DE JOINTS POUR CULASSE  
IM DICHTUNGSSATZ FÜR ZYLINDERKOPF  
INCLUIDO EN EL JUEGO DE JUNTAS DE CULATA

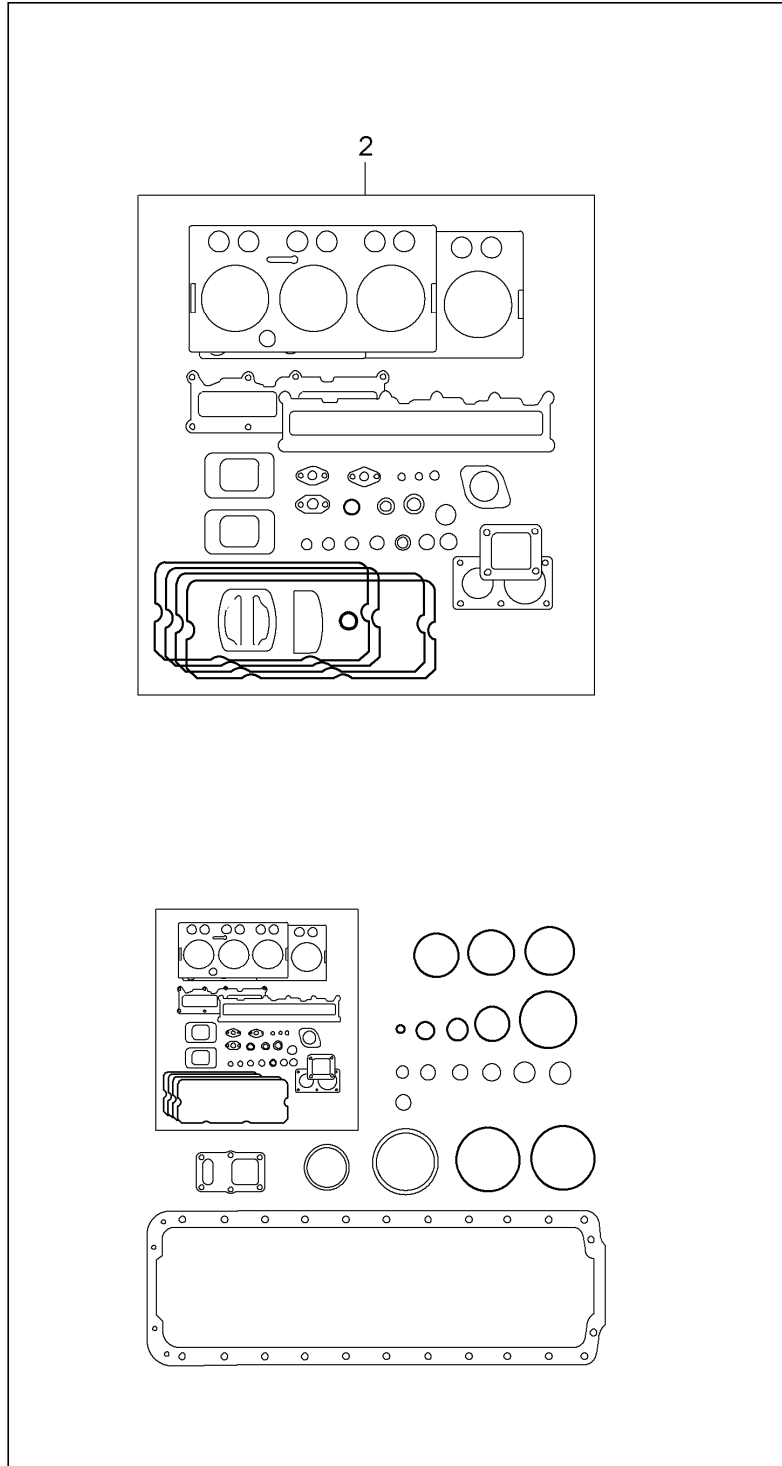
[B] INCLUDED IN GASKET SET FOR ENGINE  
INCLUS DANS POCHETTE DE JOINTS POUR MOTEUR  
IM DICHTUNGSSATZ FÜR MOTOR  
INCLUIDO EN EL JUEGO DE JUNTAS DE MOTOR

[C] INCLUDED IN KIT ITEM 44  
INCLUS DANS KIT ITEM 44  
ENTHALTEN IN SATZ ITEM 44  
INCLUIDO EN JUEGO ITEM 44

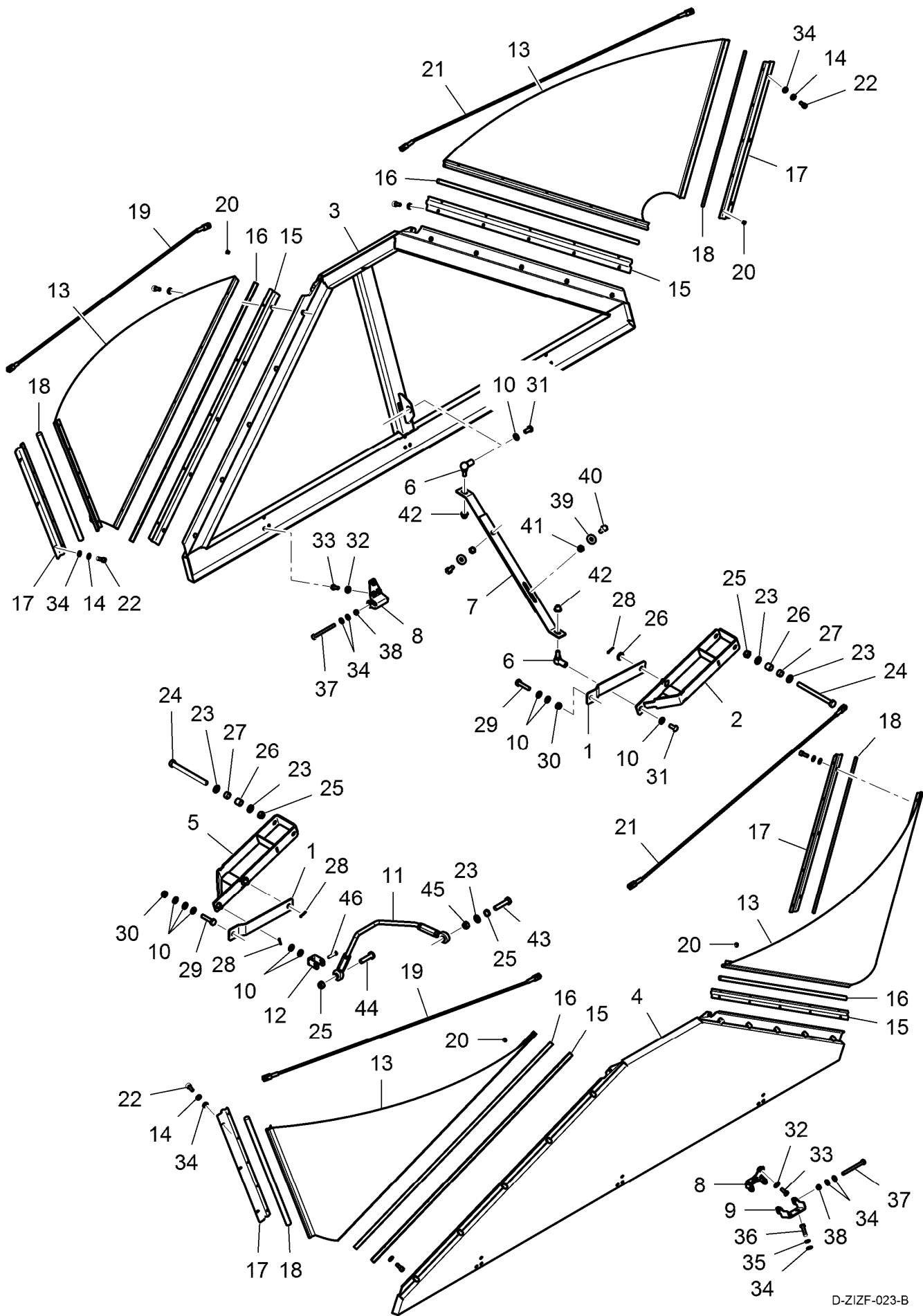


D-HB58-004-A





1	7106640M91		1	EXTENSION	RALLONGE	VERLÄNGERUNG	EXTENSIÓN
2	D45904700		4	CLEVIS PIN	AXE	ABSTECKBOLZEN	BULON CILINDRICO
3	1442965X1	∅ 4 x 25 mm	4	SPLIT PIN	GOUPILLE FENDUE	SPALTBOLZEN	PASADOR HENDIDO
4	7108182M91		1	HATCH	DEMI PORTE	SCHAULOCH	COMPUERTA
5	4375795M1		1	DECAL	DÉCALCOMANIE	AUFKLEBER	CALCOMANÍA
6	LA341000124		2	DECAL	DÉCALCOMANIE	AUFKLEBER	CALCOMANÍA
7	390735X1	M12	4	FLAT WASHER	RONDELLE PLATE	BEILAGSCHEIBE	ARANDELA PLANA
8	7058308M1		1	CANVAS	TOILE	PLANE	LA LONA
9	7106638M91		1	EXTENSION	RALLONGE	VERLÄNGERUNG	EXTENSIÓN
10	338668X1		22	RIVET	RIVET	NIET	REMACHE
11	385369X1	M8 x 20	4	CARRIAGE BOLT	VIS COLLET CARRE	SCHLOSSSCHRAUBE	TORNILLO C. CUAD
12	3014492X1	M8	22	LOCK WASHER	RONDELLE FREIN	SICHERUNGSRING	ARANDELA SEGURID
13	390972X1	M8	22	FLAT WASHER	RONDELLE PLATE	UNTERLEGSCH. EIBE.	ARANDELA PLANA
14	7058369M1		2	PLATE	PLAQUE	PLATTE	PLACA
15	7058308M1		1	CANVAS	TOILE	PLANE	LA LONA
16	7058409M1		1	PLATE	PLAQUE	PLATTE	PLACA
17	339761X1	M8 x 25	34	HEX CAP SCREW	VIS TETE HEX	SECHKOPFSCHRAUBE	TORNILLO CAB HEX
18	339056X1	M8	46	WASHER METRIC	RONDELLE METR.	SCHEIBE METRISCH	ARANDELA METRICO
19	<b>394367X1</b>	M8	16	NYLON LOCKNUT	ÉCROU AUTOFREINÉ	SICHERUNGSMUTTER	TUERCA RETENCION
20	D28885852		6	STRAP	SANGLE	LASCHE	FAJA
21	339124X1	M8 x 16	18	HEX CAP SCREW	VIS TETE HEX	SECHKOPFSCHRAUBE	TORNILLO CAB HEX
22	7058362M1		6	HINGE BRACKET	SUPPORT FIXATION	HALTER.	ESTRIBO
23	7058764M1		1	PLATE	PLAQUE	PLATTE	PLACA
24	7058544M1		1	PLATE	PLAQUE	PLATTE	PLACA
25	7058543M1		1	PLATE	PLAQUE	PLATTE	PLACA
26	D44732600		2	GROMMET	PASSE FIL	GUMMITUELLE	PASACABLE
27	6248888M1	◀▶ 622 mm	2	GASKET	JOINT	DICHTUNG	JUNTA
28	6248887M1	◀▶ 733 mm	1	GASKET	JOINT	DICHTUNG	JUNTA
29	1440922X1	M6 x 60	3	HEX CAP SCREW	VIS TETE HEX	SECHKOPFSCHRAUBE	TORNILLO CAB HEX
30	1441500X1	M6	3	NYLON LOCKNUT	ÉCROU AUTOFREINÉ	SICHERUNGSMUTTER	TUERCA RETENCION
31	D43419900		2	LOCK	SERRURE	SCHLOSS	CERRADURA
32	7108178M1		1	HOOK	CROCHET	HAKEN	GANCHO
33	339666X1	M6 x 20	1	HEX CAP SCREW	VIS TETE HEX	SECHKOPFSCHRAUBE	TORNILLO CAB HEX
34	339742X1	M6	3	FLAT WASHER	RONDELLE PLATE	UNTERLEGSCH. EIBE.	ARANDELA PLANA
35	3000192X1	M6	1	LOCKNUT	ÉCROU FREIN	SICHERUNGSMUTTER	CONTRATUERCA
36		👁 9-5 No		CLOSING MECH.	MECANISME FERM.	SCHLIESSER	MECANISMO CIERRE



D-ZIZF-023-B

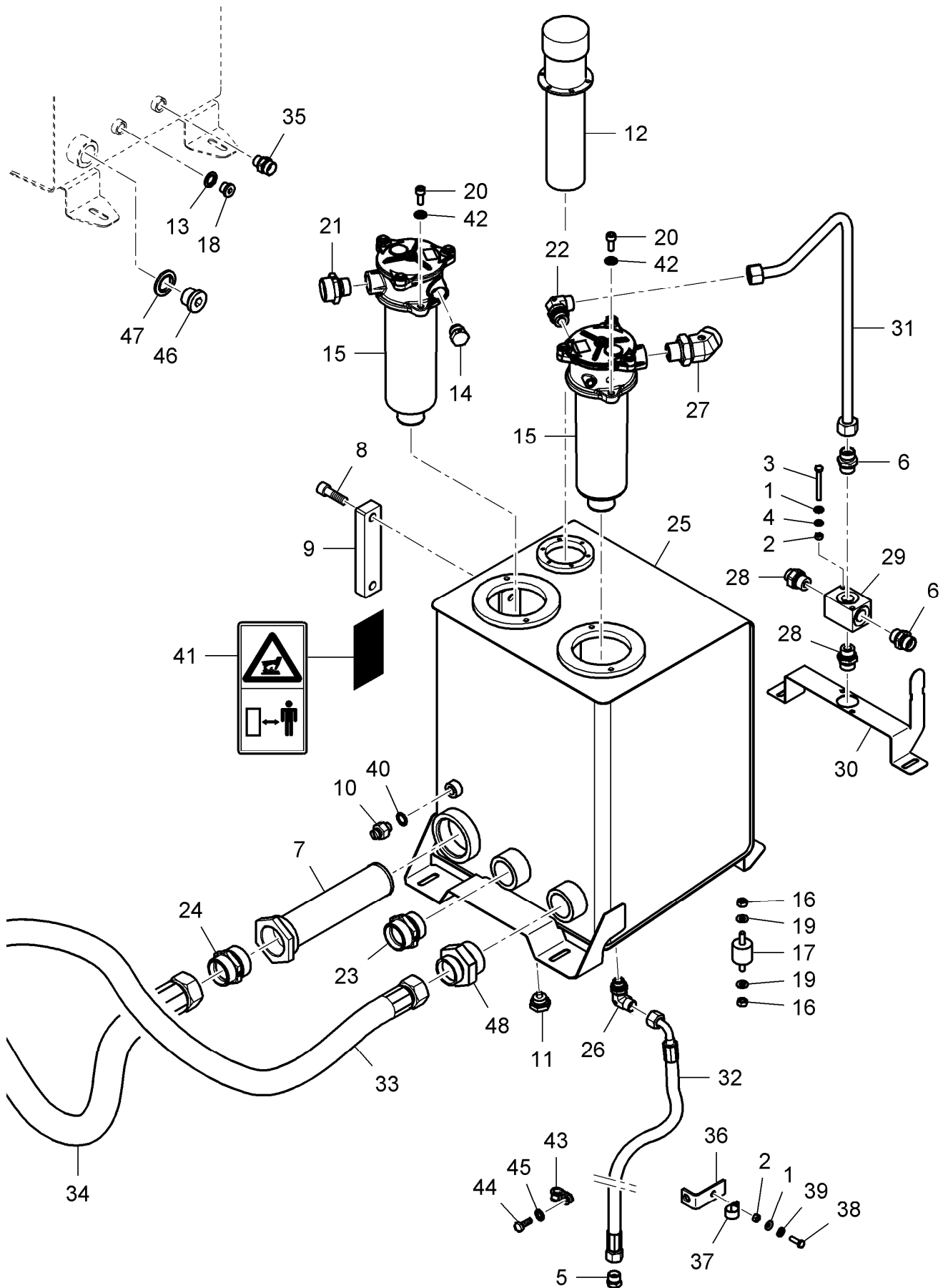


9490 X		9490 X AL		Grain Tank and Guards - 9			
		RTS code	Time	Tool	09 13: UNLOADING AUGER HORIZONTAL	Part no.	Fig no.
X	X	006.0622	3.00		UNLOADING AUGER ASSEMBLY		09 13 000
X	X	006.0622	3.00		UNLOADING AUGER	7108690M91	09 13 001
X	X	006.0622	5.00		UNLOADING TUBE	7108693M91	09 13 002
X	X	006.0622	1.50		BEARING OUTLET	7061095M1	09 13 014
X	X	006.0622	3.50		BEARING CENTER	7061095M1	09 13 014
X	X	006.0622	1.50		BEARING SUPPORT OUTLET	7061094M91	09 13 015
X	X	006.0622	3.50		BEARING SUPPORT CENTER	7061094M91	09 13 015
X	X	006.0622	1.50		SPHERICAL BEARING	LA340413418	09 13 023
X	X	006.0622	1.50		SADLE	7107485M91	09 13 039
X	X	006.0622	1.50		ARM FOR MAGNET	7107488M1	09 13 041
X	X	006.0622	5.50		EXTENSION TUBE	7061110M91	09 13 049
X	X	006.0622	4.00		EXTENSION AUGER	7061086M91	09 13 050



9490 X		9490 X AL		Grain Tank and Guards - 9			
		RTS code	Time	Tool	09 19: THRESHING ENGAGEMENT MECHANISM	Part no.	Fig no.
X	X	019.1905	1.25		TENSIONER PULLEY	D28780486	09 19 004
X	X	019.1905	3.00		BRACKET FOR ENGAGEMENT MECHANISM	7107235M91	09 19 009
X	X	019.1905	1.25		DRIVE BELT	6237300M1	09 19 041
X	X	019.1905	3.00		ARM FOR TENSIONER PULLEY	6248998M91	09 19 042
X	X	019.1905	1.25		TENSION BOLT, TENSIONER PULLEY	7058683M91	09 19 046
X	X	019.1905	0.50		BELT GUIDE, REAR	7062869M91	09 19 047
X	X	019.1905	1.50		ROCKER	7062988M91	09 19 050
X	X	019.1905	0.50		BELT GUIDE, MIDDLE	7107609M1	09 19 054
X	X	019.1905	0.50		BELT GUIDE, FRONT	7107608M91	09 19 055

1	7107500M91		1	ROTARY SCREEN	TAMIS ROTATIF	SIEBZYLINDER	GRIBA GIRATORIA
2	338641X1		20	RIVET	RIVET	NIET	REMACHE
3	7062527M1		1	BRUSH	BALAI	BÜRSTE	ESCOBILLA
4	339124X1	M8 x 16	3	HEX CAP SCREW	VIS TETE HEX	SECHKOPFSCHRAUBE	TORNILLO CAB HEX
5	3014492X1	M8	8	LOCK WASHER	RONDELLE FREIN	SICHERUNGSRING	ARANDELA SEGURID
6	339337X1	M8 x 30	2	HEX CAP SCREW	VIS TETE HEX	SECHKOPFSCHRAUBE	TORNILLO CAB HEX
7	390972X1	M8	11	FLAT WASHER	RONDELLE PLATE	UNTERLEGSCHIEBE	ARANDELA PLANA
8	339169X1	M8	8	HEX NUT	ÉCROU HEXAGONAL	SECHSKANTMUTTER	TUERCA HEXAGONAL
9	339402X1	M10	3	NUT METRIC	ECROU METRIQUE	MUTTER METRISCH	TUERCA METRICO
10	3014493X1	M10	3	LOCK WASHER	RONDELLE FREIN	SICHERUNGSRING	ARANDELA SEGURID
11	390734X1	M10	6	FLAT WASHER	RONDELLE PLATE	UNTERLEGSCHIEBE	ARANDELA PLANA
12	339401X1	M10 x 25	3	HEX CAP SCREW	VIS TETE HEX	SECHKOPFSCHRAUBE	TORNILLO CAB HEX
13	339761X1	M8 x 25	5	HEX CAP SCREW	VIS TETE HEX	SECHKOPFSCHRAUBE	TORNILLO CAB HEX
14	3009357X1	M8 x 16	1	GRUB SCREW	VIS SANS TETE	SHAFTSCHRAUBE	TORNILLO SIN CAB
15	LA322885350		1	SUPPORT	SUPPORT	TRAGER	SOPORTE
16	LA323020350		1	RING	ANNEAU	RING.	ANILLO
17	7107374M91		1	SUPPORT	SUPPORT	TRAGER	SOPORTE
18	<b>LA340411405</b>		2	PAIR OF FLANGES	PAIRE DE BRIDES	FLANSCHPAAR	PAR DE BRIDAS
19	<b>LA340411205</b>		1	BEARING ASSY	ROULEMENT	RADIALLAGER	RODAMIENTO RAD
20	LA322824250		1	HITCH	CROCHET ATTELAGE	HITCH	ENGANCHE
21	7107839M91		1	SLIDER	CURSEUR	SCHIEBER	CURSOR
22	339123X1	M8 x 20	1	HEX CAP SCREW	VIS TETE HEX	SECHKOPFSCHRAUBE	TORNILLO CAB HEX
23	391039X1	M8	1	FLAT WASHER	RONDELLE PLATE	UNTERLEGSCHIEBE.	ARANDELA PLANA
24	7062516M1		1	SHAFT	ARBRE	WELLE	ARBOL



D-AZZY-002-A



9490 X	9490 X AL	Drive Unit - 10					
		RTS code	Time	Tool	10 11: AIR FILTER	Part no.	Fig no.
X	X	010.1002	0.50		EJECTOR HOSE	7061539M1	10 11 013
X	X	010.1002	1.00		SEAL	7104198M1	10 11 016
X	X	010.1002	1.50		AIR FILTER ASSEMBLY	7059667M91	10 11 017

Exhaust  
Echappement  
Auspuff  
Escape

Pollution Control (Ad-Blue)  
Contrôle De Pollution (Ad-Blue)  
Verschmutzungskontrolle (Ad-Blue)  
Control De Contaminación (Ad-Blue)

10 -14

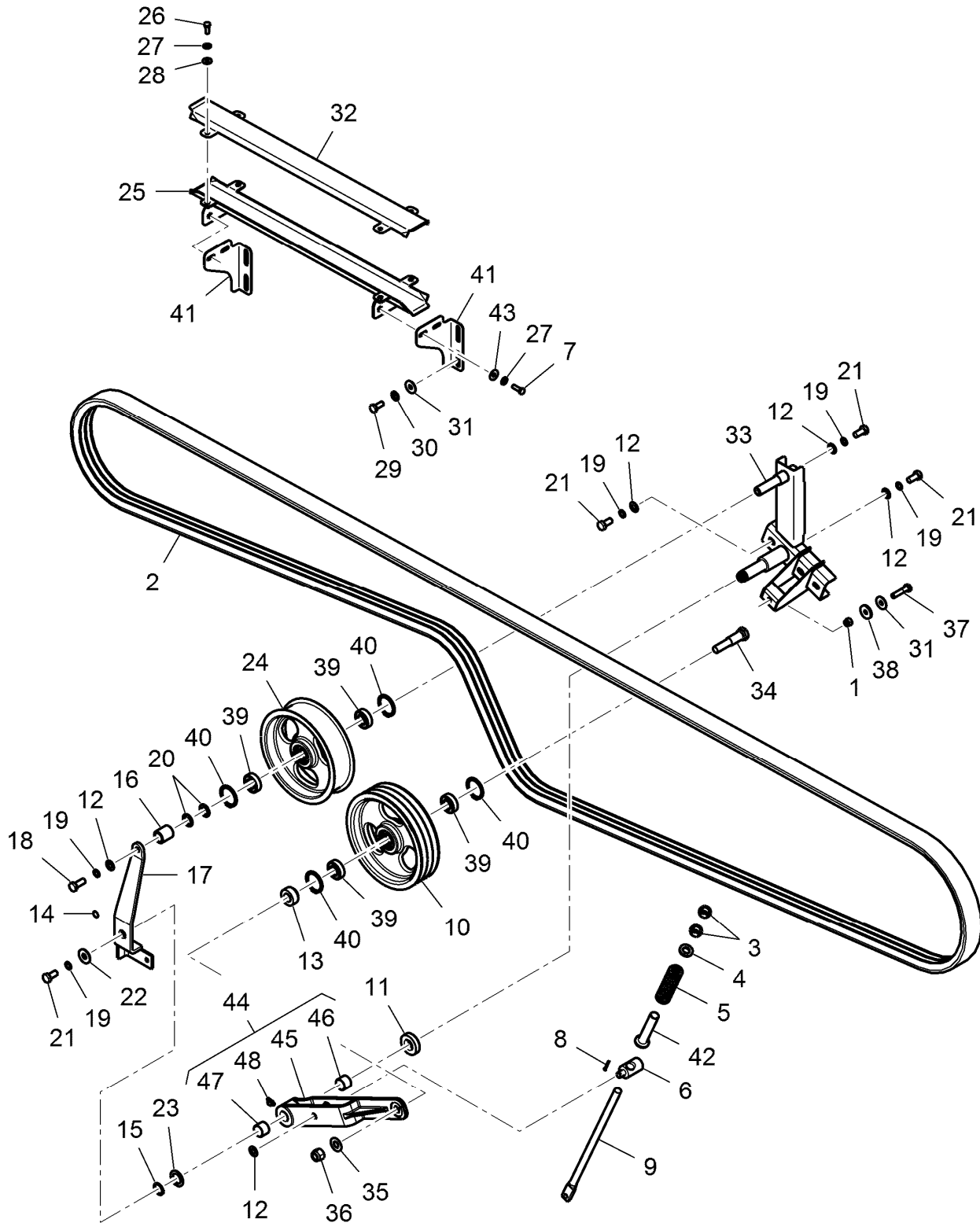
---

1	[A]	1	ADBLUE TANK	RESERVOIR ADBLUE	ADBLUE TANK	DEPOSITO ADBLUE
2	71448118	1	1	SENSOR	CAPTEUR	SENSOR
3	6265255M1	1	1	ELBOW UNION	RACCORD COUDE	CODO DE UNION
4	6265256M1	1	1	GROMMET	PASSE FIL	PASACABLE
5	7063565M91	1	1	TANK	RÉSERVOIR	TANQUE
6	7063772M91	1	1	FILLER	REMP LISSEUR	RELLENADOR
7	<b>71443160</b>	1	1	TANK CAP	BOUCHON RESERV	TAPON DEPOSITO

[A] NOT SERVICED ORDER DETAIL  
PAS FOURNIES COMMANDER DETAIL  
NICHT LIEFERTEILE BESTELLE EINZELNEN  
NO SUMINISTRADA PEDIR DETALLES

9490 X	9490 X AL	Drive Unit - 10					
		RTS code	Time	Tool	10 17: FUEL LINES	Part no.	Fig no.
X	X	010.1015	0.50		FUEL SEDIMENT BOWL ASSEMBLY	7105285M91	10 17 005
X	X	010.1016	2.00		FUEL HOSE	7107874M1	10 17 013
X	X	010.1016	2.00		FUEL HOSE	7107875M1	10 17 014
X	X	010.1016	1.50		FUEL HOSE	7107876M1	10 17 015

1	D41711000		1	BEARING FLANGE	FLASQUE ROULEM.	LAGERFLANSCH	BRIDA COJINETE
2	1441858X1		1	GREASE NIPPLE	GRAISSEUR DROIT	FETT-NIPPEL	ENGRASADOR
3	339299X1	M12 x 30	10	HEX CAP SCREW	VIS TETE HEX	SECHKOPFSCHRAUBE	TORNILLO CAB HEX
4	3014494X1	M12	11	LOCK WASHER	RONDELLE FREIN	SICHERUNGSRING	ARANDELA SEGURID
5	D28380178		2	PLATE	PLAQUE	PLATTE	PLACA
6	7061069M1		1	BRACKET	SUPPORT	HALTERUNG	SOPORTE
7	391375X1	M12 x 35	5	HEX CAP SCREW	VIS TETE HEX	SECHKOPFSCHRAUBE	TORNILLO CAB HEX
8	390735X1	M12	5	FLAT WASHER	RONDELLE PLATE	BEILAGSCHEIBE	ARANDELA PLANA
9	1440330X1	M12	4	LOCKNUT	ÉCROU FREIN	SICHERUNGSMUTTER	CONTRATUERCA
10	390419X1	M16 x 40	1	HEX CAP SCREW	VIS TETE HEX	SECHKOPFSCHRAUBE	TORNILLO CAB HEX
11	D28787513		1	WASHER	RONDELLE	UNTERLEGSCHIEBE	ARANDELA
12	6275369M1		2	PLATE	PLAQUE	PLATTE	PLACA
13	6275387M1		1	IDLER	POULIE TENSION	LEITRAD	POLEA LOCA
14	7061072M91		1	BRACKET	SUPPORT	HALTERUNG	SOPORTE
15	1441885X1	∅ 68,26 x 3,53 mm	4	O RING	JOINT TORIQUE	O-RING	JUNTA TOROIDAL
16	6272561M1		1	SPACER	ENTRETOISE	ABSTANDSTUECK	DISTANCIADOR
17	390613X1	∅ 100 mm	2	RETAINING RING	ANNEAU D'ARRET	HALTERING	ANILLO RETENCIÓN
18	390169X1		1	BALL BEARING	ROULEMENT BILLES	KUGELLAGER	COJINETE BOLAS
19	<b>7059994M1</b>	◀▶ 2514 mm	1	BELT	COURROIE	RIEMEN	CORREA
20	7059993M91		1	VARIATOR	VARIATEUR	VARIATOR	VARIADOR
21	D28380221		1	COVER	COUVERCLE	ABDECKUNG.	CUBIERTA
22	D42596800		1	LOCK ELEMENT	SERRURE	SCHLIESSELEMENT	GERRADURA
23	D42696800		4	PIN	GOUPILLE	STIFT	PASADOR
24	D45403600	∅ 100-115 x 12 mm	1	GASKET	JOINT	DICHTUNG	JUNTA
25	D45403700	∅ 100-125 x 12 mm	1	GASKET	JOINT	DICHTUNG	JUNTA
26	D45471500	∅ 139,70 x 5,34 mm	1	O RING	JOINT TORIQUE	O-RING	JUNTA TOROIDAL
27	1441858X1		1	GREASE NIPPLE	GRAISSEUR DROIT	FETT-NIPPEL	ENGRASADOR
28	3000258X1	M10 x 40	18	SOCKET HEAD BOLT	BOULON	SCHRAUBE	PERNO
29	6272557M91		1	PLATE	PLAQUE	PLATTE	PLACA
30	7062253M1		1	HUB	MOYEU	NABE	CUBO
31	D41654800	∅ 45-55 x 1 mm	1	SHIM	CALE	AUSGLEICHSCHEIBE	CALCE
31	D41654900	∅ 45-55 x 2 mm	1	SHIM	CALE	AUSGLEICHSCHEIBE	CALCE
32	7061064M1		1	SHAFT	ARBRE	WELLE	ARBOL



D-ZEJK-002-B



9490 X	9490 X AL	Chassis - 12					
		RTS code	Time	Tool	12 14: TRACKS, GEARS	Part no.	Fig no.
X	X	021.2107	14.00		GEARWHEEL, CROWN WHEEL		12 14 002
X	X	021.2107	10.00		INPUT SHAFT		12 14 003

CLICK HERE TO **DOWNLOAD** THE COMPLETE MANUAL

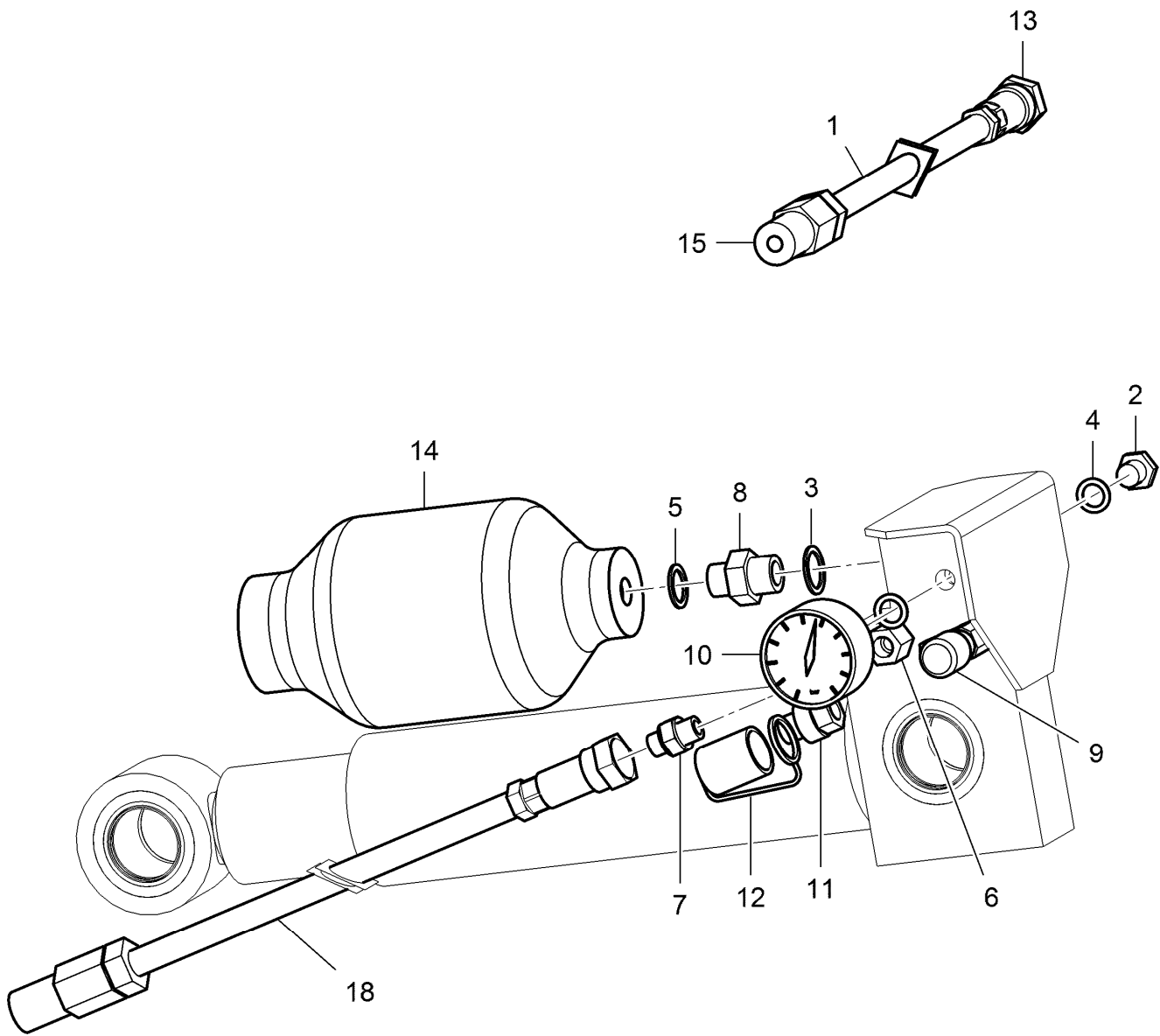
- Thank you very much for reading the preview of the manual.
- You can download the complete manual from: [www.heydownloads.com](http://www.heydownloads.com) by clicking the link below



- Please note: If there is no response to CLICKING the link, please download this PDF first and then click on it.

CLICK HERE TO **DOWNLOAD** THE COMPLETE MANUAL





D-LC72-004-A



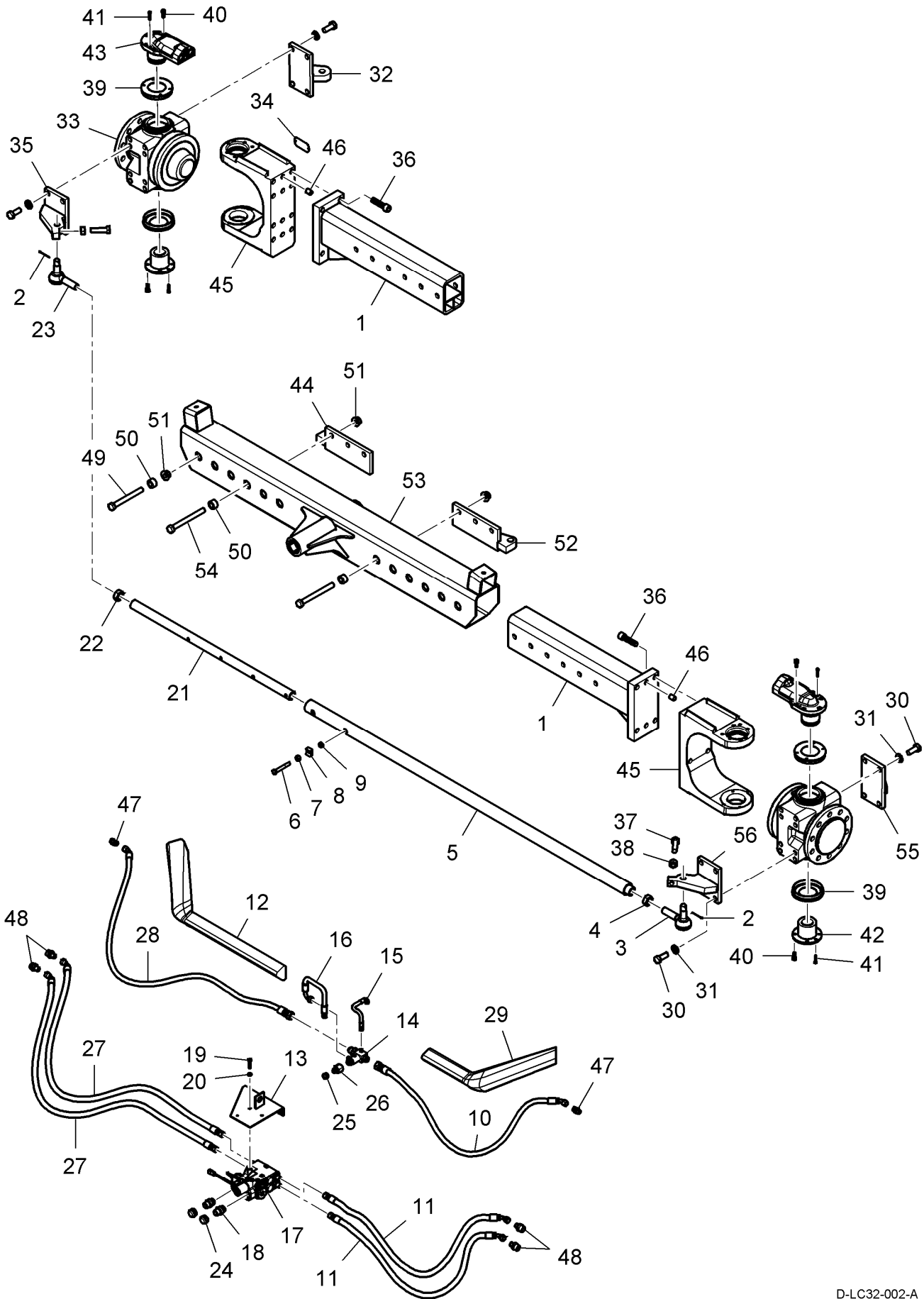
9490 X		9490 X AL		Chassis - 12			
		RTS code	Time	Tool	12 16: GEARBOX, INPUT SHAFT	Part no.	Fig no.
X	X	020.2011	4,00		BEARING, DRIVE SHAFT	70042847	12 16 003
X	X	020.2011	4,00		DRIVE SHAFT	71390887	12 16 004
X	X	020.2010	3,50		SEAL RING, DRIVE SHAFT	71377724	12 16 006
X	X	020.2010	4,00		SEAL RING, DRIVE SHAFT	71390888	12 16 007
X	X	020.2011	7,50		GEAR, INPUT SHAFT	71377409	12 16 009
X	X	020.2011	7,50		BEARING, GEAR, INPUT SHAFT	713545	12 16 011
X	X	020.2010	3,50		SEAL RING, GEAR, INPUT SHAFT	71162565	12 16 016
X	X	020.2011	7,50		GEAR, MAIN SHAFT	71377414	12 16 017
X	X	020.2011	7,50		BEARING, GEAR, MAIN SHAFT	712208	12 16 019
X	X	020.2002	3,50		FLANGE, OIL MOTOR	D46140062	12 16 021

1	1440922X1	M6 x 60	1	HEX CAP SCREW	VIS TETE HEX	SECHKOPFSCHRAUBE	TORNILLO CAB HEX
2	390971X1	M6	7	FLAT WASHER	RONDELLE PLATE	UNTERLEGSCHIEBE.	ARANDELA PLANA
3	339451X1	M10 x 30	1	HEX CAP SCREW	VIS TETE HEX	SECHKOPFSCHRAUBE	TORNILLO CAB HEX
4	390597X1	M10	1	FLAT WASHER	RONDELLE PLATE	UNTERLEGSCHIEBE.	ARANDELA PLANA
5	LA140045	M10	1	LOCK WASHER	RONDELLE FREIN	SICHERUNGSRING	ARANDELA SEGURID
6	339402X1	M10	1	NUT METRIC	ECROU METRIQUE	MUTTER METRISCH	TUERCA METRICO
7	D45739100		4	SUPPORT	SUPPORT	TRAGER	SOPORTE
8	7105348M1		1	SUPPORT	SUPPORT	TRAGER	SOPORTE
9	D46140016		2	KIT, BRAKE	JEU FREIN	BREMSENSATZ	FRENOS JUEGO
10	7104678M1		1	BRACKET	SUPPORT	HALTERUNG	SOPORTE
11	1441268X1	M6 x 30	3	HEX CAP SCREW	VIS TETE HEX	SECHKOPFSCHRAUBE	TORNILLO CAB HEX
12	3000192X1	M6	3	LOCKNUT	ÉCROU FREIN	SICHERUNGSMUTTER	CONTRATUERCA
13	7104683M91		1	BRAKE PIPE	TUYAU DE FREIN	BREMSLEITUNG	TUBERIA DE FRENO
14	7104681M91		1	BRAKE PIPE	TUYAU DE FREIN	BREMSLEITUNG	TUBERIA DE FRENO
15	391329X1	M20 x 70	4	HEX CAP SCREW	VIS TETE HEX	SECHKOPFSCHRAUBE	TORNILLO CAB HEX
16	3014498X1	M20	4	LOCK WASHER	RONDELLE FREIN	SICHERUNGSRING	ARANDELA SEGURID
17	385365X1	M20	4	FLAT WASHER	RONDELLE PLATE	UNTERLEGSCHIEBE.	ARANDELA PLANA
18	339035X1	M20	4	NUT	ÉCROU	MUTTER	TUERCA
19	LA322017050		2	UNION	RACCORD	VERSCHRAUBUNG	RACOR

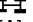
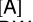
9490 X		9490 X AL		Chassis - 12			
		RTS code	Time	Tool	12 22: BRAKES, PEDALS	Part no.	Fig no.
X	X	001.0106	2.25		BRAKE MAIN CYLINDER	D45908000	12 22 001
X	X	003.0306	1.75		BRAKE PEDAL ARM RH	7059639M91	12 22 016
X	X	003.0306	1.75		BRAKE PEDAL ARM LH	7059646M91	12 22 017
X	X	003.0306	1.00		BRAKE PEDAL SHAFT	7059649M1	12 22 018
X	X	003.0306	3.75		PEDAL BRACKET	7061001M91	12 22 020

---

1	D20400540	⊘ 37-66 x 5 mm	1	WASHER	RONDELLE	UNTERLEGSCHIEBE	ARANDELA
2	D41054900	M36	1	CASTLE NUT	ÉCROU CRÉNELÉ	KRONENMÜTTER	TUERCA ALMENADA
3	D43359700	⊘ 50-78 x 2 mm	2	WASHER	RONDELLE	UNTERLEGSCHIEBE	ARANDELA
4	1442976X1	⊘ 5 x 63 mm	1	SPLIT PIN	GOUPILLE FENDUE	SPALTBOLZEN	PASADOR HENDIDO
5	7105346M91	👁 12-26 No	1	REAR AXLE	ESSIEU ARRIÈRE	HINTERACHSE	EJE TRASERO



D-LC32-002-A

1	LA342000034		2	DECAL	DÉCALCOMANIE	AUFKLEBER	CALCOMANÍA
2	7107538M91	[A] DW15L x 24	2	WHEEL RIM	JANTE DE ROUE	RADFELGE	LLANTA DE RUEDA
2	7107546M91	[A] DW15L x 24	2	WHEEL RIM	JANTE DE ROUE	RADFELGE	LLANTA DE RUEDA
2	D28182631	[A]  DW15L x 24	2	WHEEL RIM	JANTE DE ROUE	RADFELGE	LLANTA DE RUEDA
2	D28182671	[A]  DW15L x 24 RWA	2	WHEEL RIM	JANTE DE ROUE	RADFELGE	LLANTA DE RUEDA
2	D28182638	[C]  20,00 x 26,5	2	WHEEL RIM	JANTE DE ROUE	RADFELGE	LLANTA DE RUEDA
2	D28182673	[C]  600/55-26,5 RWA	2	WHEEL RIM	JANTE DE ROUE	RADFELGE	LLANTA DE RUEDA
3	D46738700		2	VALVE	SOUPAPE	VENTIL	VALVULA
4	LA340478343	[A]	2	DECAL	DÉCALCOMANIE	AUFKLEBER	CALCOMANÍA
5				PART NOT USED	NON UTILISE	NICHT VERWENDET	PARTE NO UTILIZ.
6				PART NOT USED	NON UTILISE	NICHT VERWENDET	PARTE NO UTILIZ.

[A] USED WITH TYRES : 500/70R24  
 UTILISE AVEC PNEUS : 500/70R24  
 BENUTZT MIT REIFEN : 500/70R24  
 UTILIZADO CON NEUMATICOS : 500/70R24

[C] USED WITH TYRES : 600/55-26,5  
 UTILISE AVEC PNEUS : 600/55-26,5  
 BENUTZT MIT REIFEN : 600/55-26,5  
 UTILIZADO CON NEUMATICOS : 600/55-26,5

9490 X	9490 X AL	<b>Operator Platform - 13</b>					
		RTS code	Time	Tool	13 03: SEAT	Part no.	Fig no.
X	X	003.0311	1.50		SEAT ASSEMBLY	7059402M91	13 03 001

1	7058676M91		1	CONTROL CONSOLE	CONSOLE COMMANDE	BEDIEN.KONSOLE	CONSOLA CONTROL
2		1	1	CONSOLE	CONSOLE	KONSOLE	CONSOLA
3	7059288M1	1	1	RUBBER MAT	MORCEAU GAOUTCH.	GUMMIMATTE	ESTERA DE CAUCHO
4	7059285M1	1	1	TRAY	PLATEAU	MULDE	BANDEJA
5	7061232M1	1	9	SCREW	VIS	SCHRAUBE	TORNILLO
6	7059287M91	1	1	ARMREST	ACCOUDOIR	ARMLEHNE	APOYABRAZOS
7	D44900761	1	1	SWITCH	INTERRUPTEUR	SCHALTER	INTERRUPTOR
8	7059294M1	1	1	PLUG	BOUCHON	STÖPSEL	TAPON
9	7059297M91	1	1	JOYSTICK	JOYSTICK	FAHRHEBEL	JOYSTICK
10	7109498M1	9	1	MODULE	MODULE	MODUL	MÓDULO
11	7104841M1	[A]	1	DECAL	DÉCALCOMANIE	AUFKLEBER	CALCOMANÍA
12	3010373X1	1	4	HEX CAP SCREW	VIS TETE HEX	SECHKOPFSCHRAUBE	TORNILLO CAB HEX
13	<b>7059257M91</b>	1	1	THROTTLE	ACCELERATEUR	BESCHLEUNIGER	ACELERADOR
14	3000121X1	1	1	LOCKNUT	ÉCROU FREIN	SICHERUNGSMUTTER	CONTRATUERCA
15		1	1	CONSOLE	CONSOLE	KONSOLE	CONSOLA
16	<b>7106170M91</b>	1	1	MODULE	MODULE	MODUL	MÓDULO
16	<b>7106171M91</b>	1	1	MODULE	MODULE	MODUL	MÓDULO
17	7059286M1	16	1	SUPPORT	SUPPORT	TRAGER	SOPORTE
18	<b>7059290M91</b>	16	1	SWITCH	INTERRUPTEUR	SCHALTER	INTERRUPTOR
19	<b>7059291M91</b>	16	1	SWITCH	INTERRUPTEUR	SCHALTER	INTERRUPTOR
20	7059319M1	16	1	PLUG	BOUCHON	STÖPSEL	TAPON
21	7059292M91	16	1	SWITCH	INTERRUPTEUR	SCHALTER	INTERRUPTOR
22	<b>7059293M91</b>	16	1	SWITCH	INTERRUPTEUR	SCHALTER	INTERRUPTOR
23	7061231M1	16	16	SCREW	VIS	SCHRAUBE	TORNILLO

[A] NOT INCLUDED IN ASSEMBLY  
N'EST PAS COMPRIS DANS L'ENSEMBLE  
NICHT IN MONTAGEGRUPPE ENTHALTEN IST  
NO SE INCLUYE EN GRUPO MONAJE

[C] THRESHING ENGAGEMENT  
ENGAGEMENT DE BATTAGE  
DRESCHEN  
EMBRAGUE TRILLA

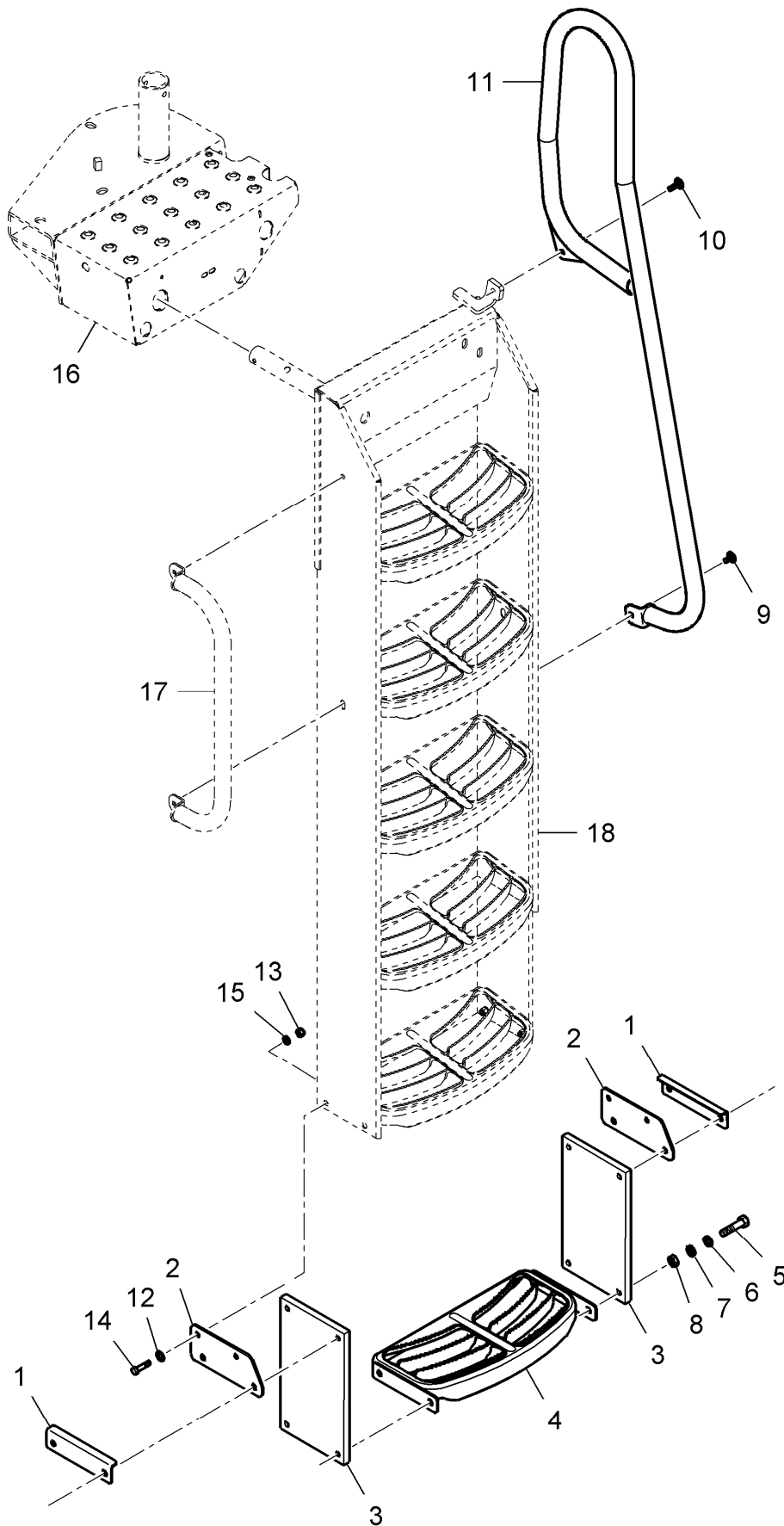
[D] CUTTING TABLE ENGAGEMENT  
EMBRAYAGE BARRE DE COUPE  
SCHNEIDWERKEINSCHALTEN  
EMBRAGUE BARRA DE CORTE

[E] PARKING BRAKE  
FREIN DE PARKING  
FESTSTELLBREMSE  
CONTROLES DE FRENOS

[F] ELECTRIC 4 WHEEL DRIVE CONTROLS  
COMMANDE ELECTRIQUE 4 ROUES MOTRICES  
AUSFUEHRUNG ELEKTRISCHE ALLRAD ANTRIEB  
MANDO ELECTRICO 4 RM

9490 X	9490 X AL	Operator Platform - 13					
		RTS code	Time	Tool	13 10: MONITOR	Part no.	Fig no.
X	X	008.0809	0.50		MONITOR	7058669M1	13 10 001





D-LD39-002-A

1	339030X1	M6	2	NUT METRIC	ECROU METRIQUE	MUTTER METRISCH	TUERCA METRICO
2	390971X1	M6	1	FLAT WASHER	RONDELLE PLATE	UNTERLEGSCHIEBE.	ARANDELA PLANA
3	390036X1	M6	1	FLAT WASHER	RONDELLE PLATE	UNTERLEGSCHIEBE.	ARANDELA PLANA
4	339229X1	M6 x 40	1	HEX CAP SCREW	VIS TETE HEX	SECHKOPFSCHRAUBE	TORNILLO CAB HEX
5	LA201139752		1	STOP	BUTÉE	ANSCHLAG	TOPE
6	LA322357	M6	1	SPRING WASHER	RONDELLE ELASTIQ	FEDERSCHIEBE	ARANDELA ELASTI.
7	LA140046	M12	2	SPRING WASHER	RONDELLE ELASTIQ	FEDERSCHIEBE	ARANDELA ELASTI.
8	339299X1	M12 x 30	2	HEX CAP SCREW	VIS TETE HEX	SECHKOPFSCHRAUBE	TORNILLO CAB HEX
9	7062271M91		1	RIGHT HAND STAIR	MARCHE DROITE	RECHTS TREPPE	PELDANO DERECHA
10	7059831M91		1	PROTECTION.	PROTECTION	SCHUTZ	PROTECCION
11	7104555M1		1	SUPPORT	SUPPORT	TRAGER	SOPORTE
12	339761X1	M8 x 25	10	HEX CAP SCREW	VIS TETE HEX	SECHKOPFSCHRAUBE	TORNILLO CAB HEX
13	<b>LA322358</b>	M8	9	SPRING WASHER	RONDELLE ELASTIQ	FEDERSCHIEBE	ARANDELA ELASTI.
14	LA323652150	M6 x 16	9	SCREW	VIS	SCHRAUBE	TORNILLO
15	339123X1	M8 x 20	2	HEX CAP SCREW	VIS TETE HEX	SECHKOPFSCHRAUBE	TORNILLO CAB HEX
16	339169X1	M8	1	HEX NUT	ÉCROU HEXAGONAL	SECHSKANTMUTTER	TUERCA HEXAGONAL
17	339337X1	M8 x 30	1	HEX CAP SCREW	VIS TETE HEX	SECHKOPFSCHRAUBE	TORNILLO CAB HEX
18	339169X1	M8	4	HEX NUT	ÉCROU HEXAGONAL	SECHSKANTMUTTER	TUERCA HEXAGONAL
19	390972X1	M8	4	FLAT WASHER	RONDELLE PLATE	UNTERLEGSCHIEBE.	ARANDELA PLANA
20	7105865M1		1	COVER	COUVERCLE	ABDECKUNG.	CUBIERTA
21	7105869M91		1	SUPPORT	SUPPORT	TRAGER	SOPORTE
22	7106289M1		1	HEADLAMP HOLDER	FIXATION PHARE	SCHEINW.HALTER	HEADL. HOLDER
23	7106285M91		1	MASK	MASQUE	MASKE	MASCARILLA
24	LA323171650		1	ARM	BRAS	SCHWINGE	BRAZO
25	391039X1	M8	3	FLAT WASHER	RONDELLE PLATE	UNTERLEGSCHIEBE.	ARANDELA PLANA
26	LA300114165		2	PLATE	PLAQUE	PLATTE	PLACA

9490 X	9490 X AL	Operator Platform - 13					
		RTS code	Time	Tool	13 25: ROOF	Part no.	Fig no.
X	X	008.0811	3.50		FAN MOTOR	7059700M1	13 25 002

1	7062326M1		1	SUPPORT	SUPPORT	TRAGER	SOPORTE
2	7062411M1		2	SPRING NUT	ÉCROU DE RESSORT	FEDERMUTTER	TUERCA RESORTE
3	LA14441331	M6 x 16	5	SCREW	VIS	SCHRAUBE	TORNILLO
4		[A]	6	WASHER	RONDELLE	UNTERLEGSCHIEBE	ARANDELA
5	1441500X1	M6	3	NYLON LOCKNUT	ÉCROU AUTOFREINÉ	SICHERUNGSMUTTER	TUERCA RETENCION
6	7062324M1		1	SUPPORT	SUPPORT	TRAGER	SOPORTE
7	7062325M1		1	SUPPORT	SUPPORT	TRAGER	SOPORTE
8	7062335M1		1	SUPPORT	SUPPORT	TRAGER	SOPORTE
9	LA16043421	M8 x 20	2	HEX CAP SCREW	VIS TETE HEX	SECHKOPFSCHRAUBE	TORNILLO CAB HEX
10	7062327M1		1	ANCHOR ROD	TIGE D'ANCRAGE	ANKERSTAB	VARILLA
11	7062351M1		1	LEVER	LEVIER	HEBEL	PALANCA
12	LA322931450		1	HINGE	CHARNIÈRE	SCHARNIER	BISAGRA
13	391038X1	M6	1	FLAT WASHER	RONDELLE PLATE	UNTERLEGSCHIEBE.	ARANDELA PLANA
14	LA16100811	M8	1	NUT	ÉCROU	MUTTER	TUERCA
15	LA322931550		1	HINGE	CHARNIÈRE	SCHARNIER	BISAGRA
16	LA322931650		1	PIN	GOUPILLE	STIFT	PASADOR
17	3009431X1	M6 x 20	1	SCREW	VIS	SCHRAUBE	TORNILLO
18	7062321M91		1	UNDERNEATH ROOF	DESSOUS TOIT	UNTEN DACH	DEBAJO TECHO
19		[A]	2	SCREW	VIS	SCHRAUBE	TORNILLO
20	7062404M1		2	WASHER	RONDELLE	UNTERLEGSCHIEBE	ARANDELA
21	LA323228250		4	VENT	EVENT	VENTILATION	TOMA DE AIRE
22	7062408M1		1	SPRING NUT	ÉCROU DE RESSORT	FEDERMUTTER	TUERCA RESORTE

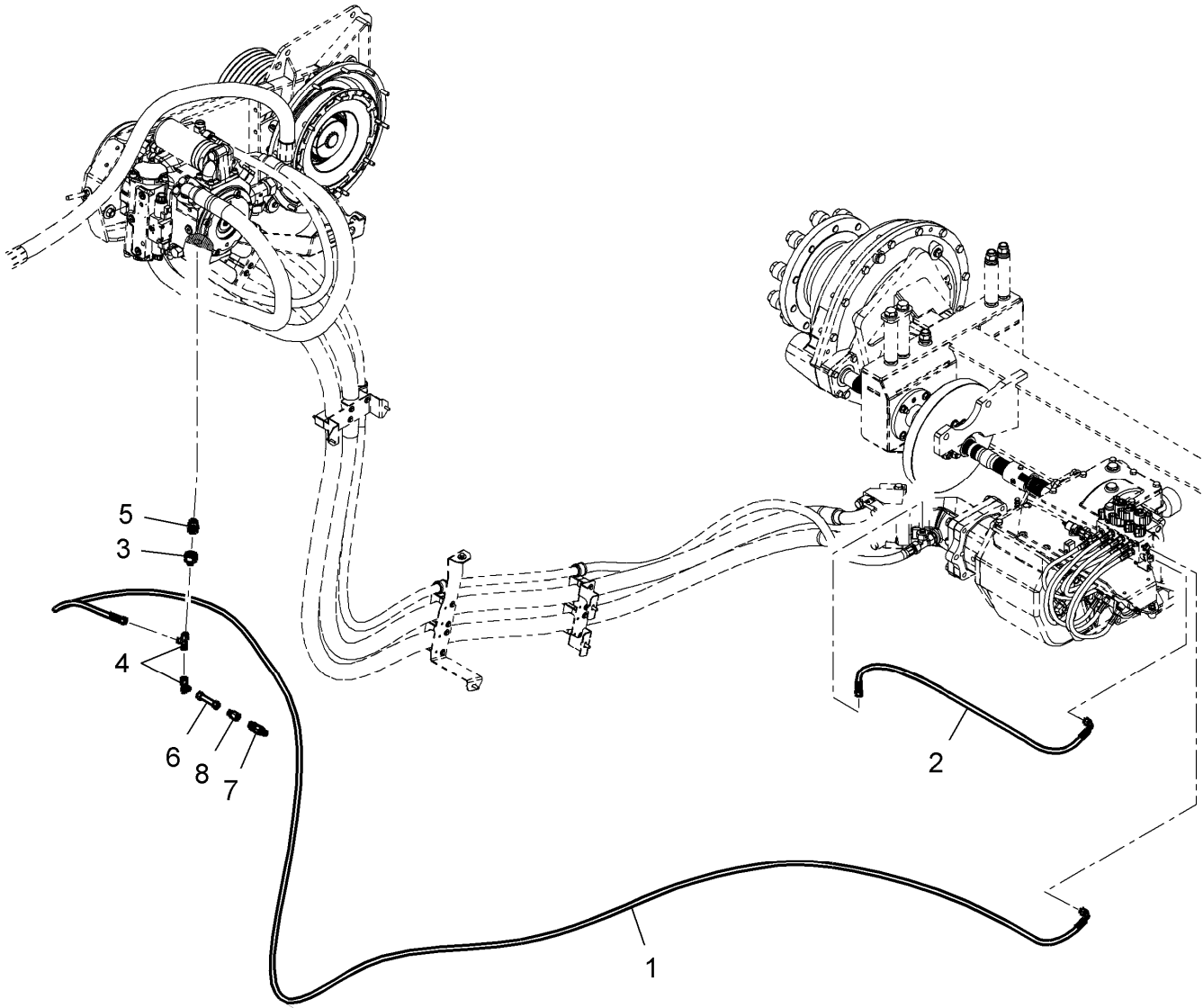
[A] NUMBER TO BE ADVISED  
 NUMERO COMMUNIQUE ULTERIEUREMENT  
 NUMMER WIRD BEKANNTGEGEBEN  
 NUMERO AVISAR

9490 X	9490 X AL	<b>Operator Platform - 13</b>					
		RTS code	Time	Tool	13 31: CAB DOOR RH	Part no.	Fig no.
X	X	003.0306	0.80		HINGE	LA323261850	13 31 001
X	X	003.0307	0.90		GLASS DOOR,	7062368M1	13 31 002
X	X	003.0306	0.50		DOOR HANDLE,	7062381M1	13 31 003



9490 X	9490 X AL	<b>Operator Platform - 13</b>					
		RTS code	Time	Tool	13 37: MIRRORS	Part no.	Fig no.
X	X	003.0301	0.80		MIRROR ARM	7061818M91	13 37 003
X	X	003.0301	0.50		REAR-VIEW MIRROR ASSEMBLY	7061817M91	13 37 004

1	7104427M91	◀▶ 2500 mm	4	HYDRAULIC HOSE	DURITE HYDRAULIC	HYDRAUL.SCHLAUCH	TUBO HYDRAULICO
2	LA10397780		10	GROMMET	PASSE FIL	GUMMITUELLE	PASACABLE
3	7104447M1		3	UNION	RACCORD	VERSCHRAUBUNG	RACOR
4	72570303		1	ADAPTER KIT	KIT D'ADAPTATEUR	ADAPTERSET	ADAPTACION
5	7059543M1		1	SUPPORT	SUPPORT	TRAGER	SOPORTE
6	LA322257150		4	SPACER	ENTRETOISE	ABSTANDSTUECK	DISTANCIADOR
7	<b>ACZ0001550</b>		1	SASA II SENSOR	CAPTEUR SASA II	SASA II SENSOR	SENSOR
8	LA5124937		1	SPACER	ENTRETOISE	ABSTANDSTUECK	DISTANCIADOR
9	LA5119125		4	BLOCK	BLOC	BLOCK	BLOQUE
10	339123X1	M8 x 20	4	HEX CAP SCREW	VIS TETE HEX	SECHKOPFSCHRAUBE	TORNILLO CAB HEX
11	<b>LA322358</b>	M8	4	SPRING WASHER	RONDELLE ELASTIQ	FEDERSCHEIBE	ARANDELA ELASTI.
12	390972X1	M8	4	FLAT WASHER	RONDELLE PLATE	UNTERLEGSCHIEBE.	ARANDELA PLANA
13	D40408300	M10 x 55	4	HEX CAP SCREW	VIS TETE HEX	SECHKOPFSCHRAUBE	TORNILLO CAB HEX
14	390734X1	M10	4	FLAT WASHER	RONDELLE PLATE	UNTERLEGSCHIEBE.	ARANDELA PLANA
15	D45266300		1	T-PIECE	TE	T-STUECK	PIEZA EN T
16	7104405M1	◀▶ 600 mm	1	HYDRAULIC HOSE	DURITE HYDRAULIC	HYDRAUL.SCHLAUCH	TUBO HYDRAULICO
17	7106333M1		2	UNION	RACCORD	VERSCHRAUBUNG	RACOR
18	7108233M1		1	UNION	RACCORD	VERSCHRAUBUNG	RACOR
19	7108234M1		1	CONNECTION	CONNEXION	VERBINDUNG	CONEXION
20	7108235M1		1	WALKWAY	PASSAGE	LAUFGANG	PASADERA
21	7108236M91	◀▶ 2250 mm	1	HYDRAULIC HOSE	DURITE HYDRAULIC	HYDRAUL.SCHLAUCH	TUBO HYDRAULICO
22	7107950M91		1	STEER. ORBITROL	ORBITROL DIRECT	LENKORBITROL	ORBITROL DIRECC
23	7104812M1	22	1	VALVE	SOUPAPE	VENTIL	VALVULA
24	7104813M1	22	1	COIL	BOBINE	SPULE	BOBINA

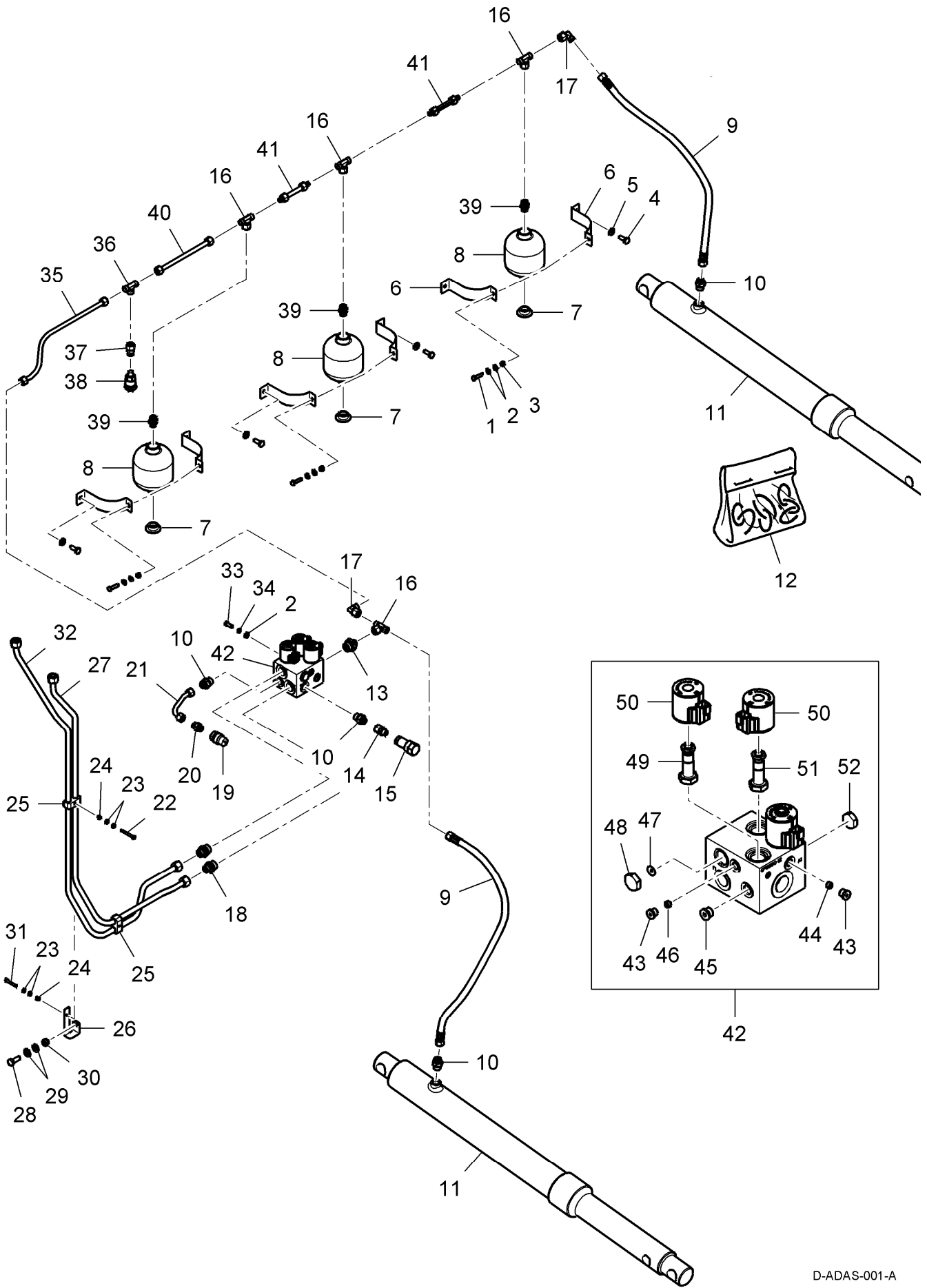


D-ADAH-003-A



9490 X	9490 X AL	Hydraulics - 14					
		RTS code	Time	Tool	14 08: MULTI-COUPLER	Part no.	Fig no.
X	X	013.1315	1.75		MULTI-COUPLER, FEMALE	71409797	14 08 001
X	X	013.1311	1.25		CARTRIDGE	71418944	14 08 010

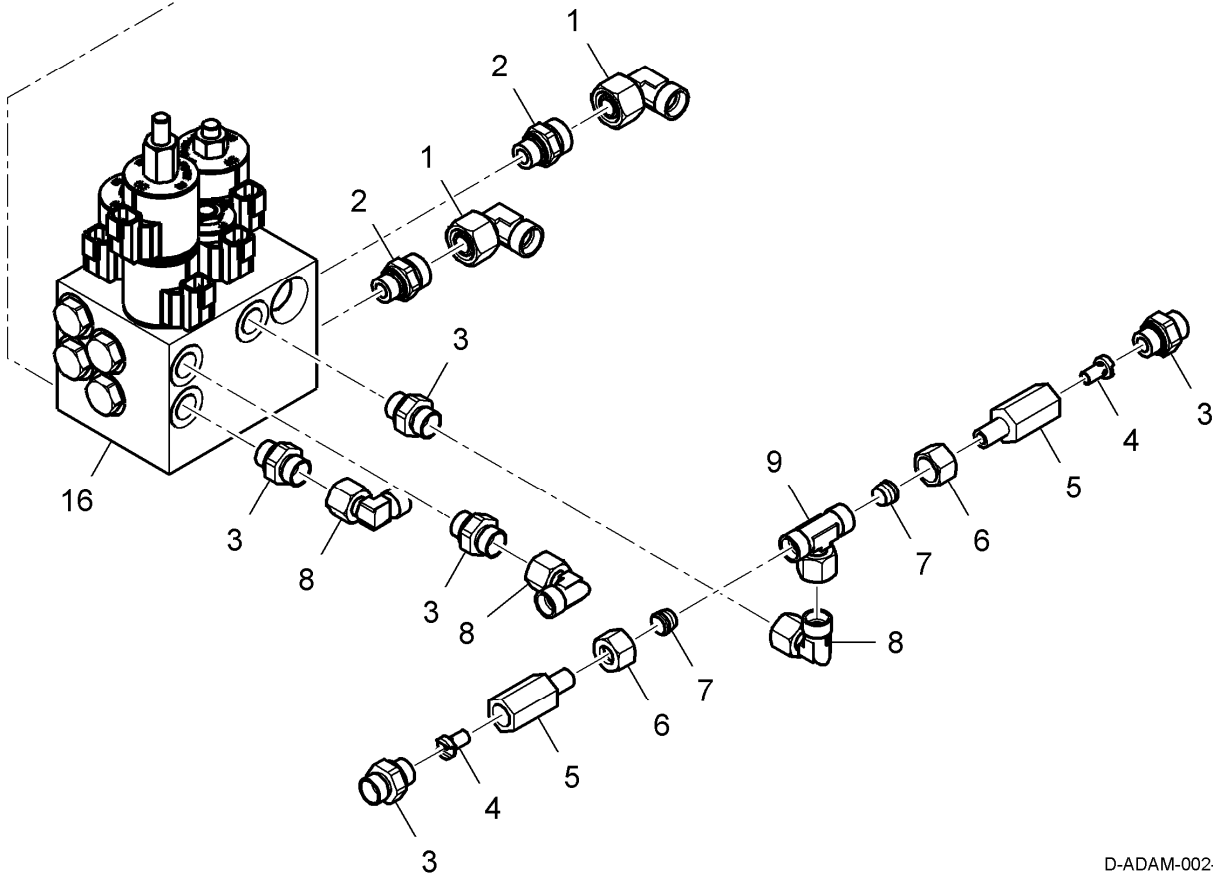
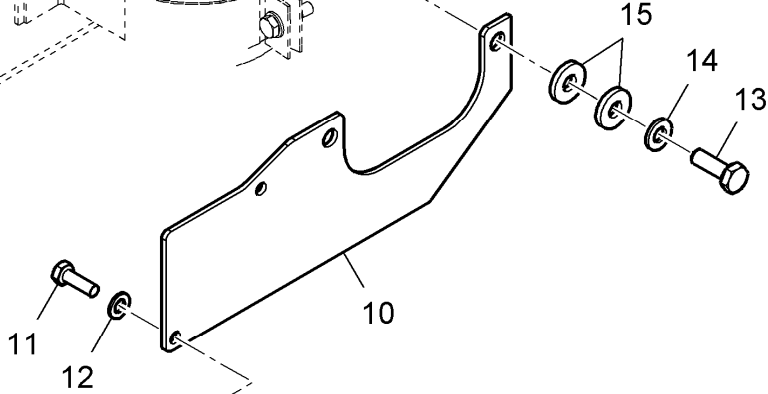
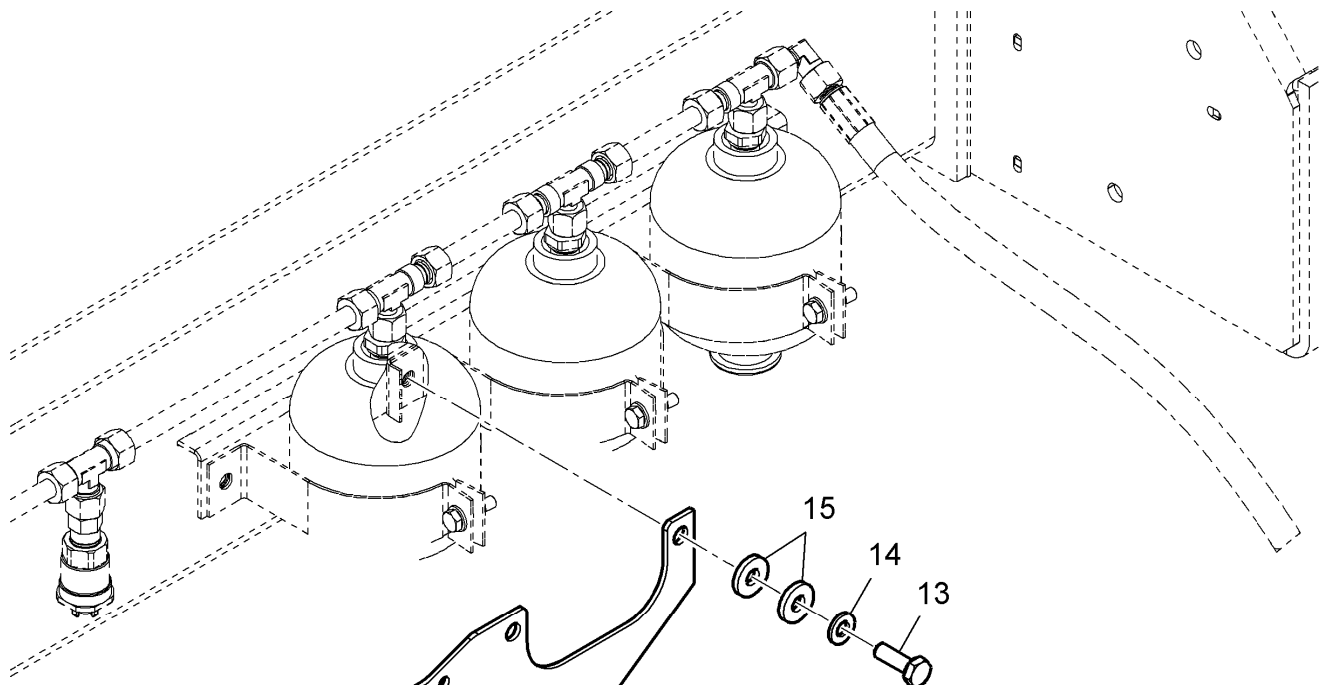
1	<b>339814X1</b>	M10 x 35	3	HEX CAP SCREW	VIS TETE HEX	SECHKOPFSCHRAUBE	TORNILLO CAB HEX
2	3014493X1	M10	3	LOCK WASHER	RONDELLE FREIN	SICHERUNGSRING	ARANDELA SEGURID
3	390734X1	M10	3	FLAT WASHER	RONDELLE PLATE	UNTERLEGSCHIEBE.	ARANDELA PLANA
4	7104559M1		2	ADAPTER	ADAPTATEUR	ADAPTER	ADAPTADOR
5	<b>LA322043150</b>		1	FEMALE COUPLER	COUPLEUR FEMELLE	KUPPLST.AUSSEN	ACOPLADOR HEMBRA
6	D45272300		2	REDUCER	RÉDUCTEUR	REDUZIERSTÜCK	REDUCTOR
7	7058815M1		2	UNION	RACCORD	VERSCHRAUBUNG	RACOR
8	7063022M91		1	OIL PIPE	TUYAU HYDRAULI.	OELLEITUNG	TUBO DE ACEITE
9	D45266100		2	T-PIECE	TE	T-STUECK	PIEZA EN T
10	LA322043050		1	QUICK COUPLER	COUPLEUR RAPIDE	SCHNELLKUPPLUNG	ACOPLADOR RAPIDO
11	7104553M1		2	BRACKET	SUPPORT	HALTERUNG	SOPORTE
12	D45148500		2	ACCUMULATOR	ACCUMULATEUR	AKKU	ACUMULADOR
13	7104611M91		1	OIL PIPE	TUYAU HYDRAULI.	OELLEITUNG	TUBO DE ACEITE



1	D45739800		4	CLIP	PATTE D'ATTACHE	SHELLE	CLIP
2	339096X1	M6 x 35	4	HEX CAP SCREW	VIS TETE HEX	SECHKOPFSCHRAUBE	TORNILLO CAB HEX
3	390971X1	M6	7	FLAT WASHER	RONDELLE PLATE	UNTERLEGSCHIEBE.	ARANDELA PLANA
4	7107117M91		1	OIL PIPE	TUYAU HYDRAULI.	OELLEITUNG	TUBO DE ACEITE
5	7058822M1		1	FITTING	RACCORD MONTAGE	ANSCHL.VERSCHRBG	ACCESORIO.
6	339229X1	M6 x 40	3	HEX CAP SCREW	VIS TETE HEX	SECHKOPFSCHRAUBE	TORNILLO CAB HEX
7	D45739500		3	SUPPORT	SUPPORT	TRAGER	SOPORTE
8	7063003M91		1	OIL PIPE	TUYAU HYDRAULI.	OELLEITUNG	TUBO DE ACEITE

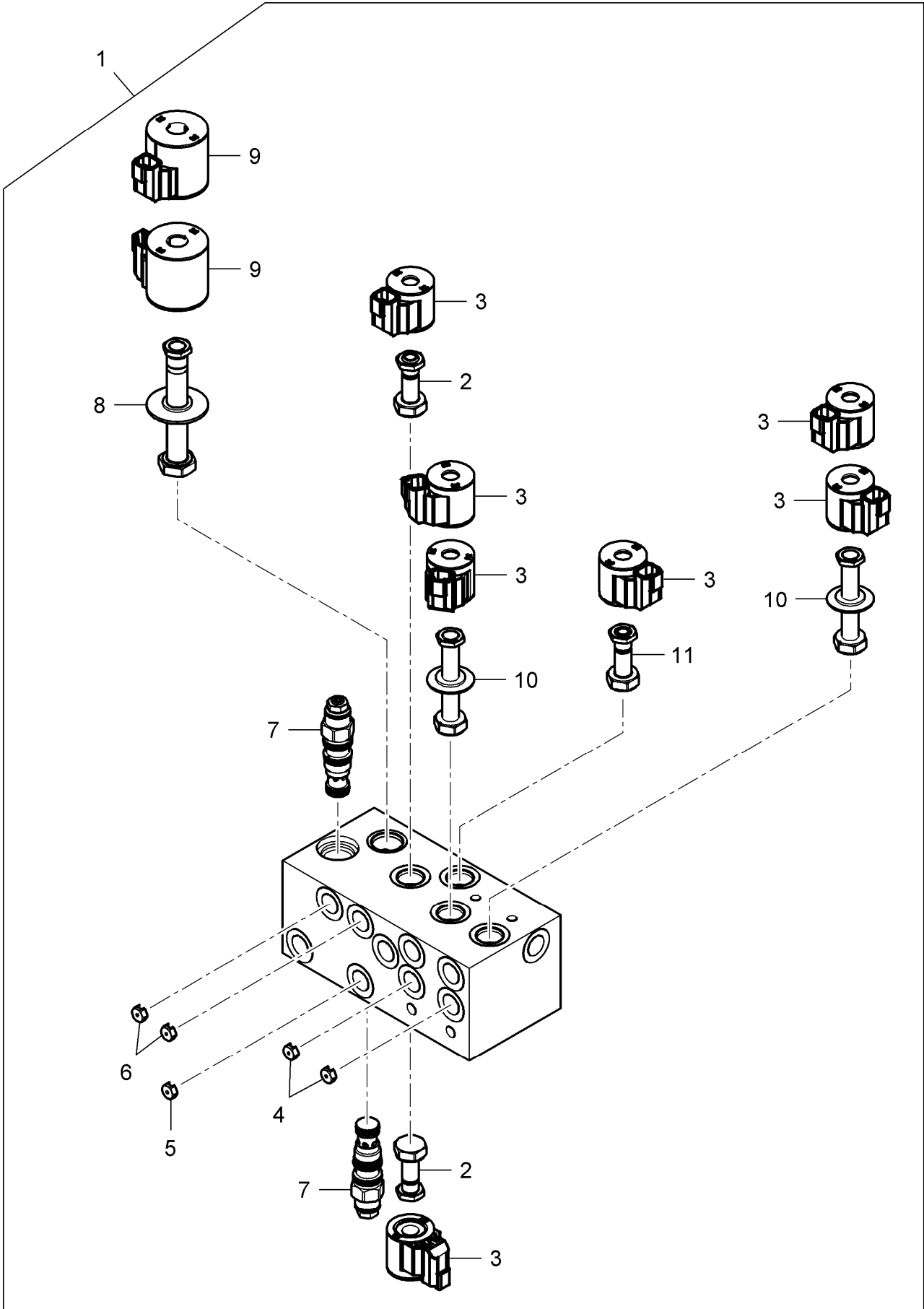
9490 X	9490 X AL	Hydraulics - 14					
		RTS code	Time	Tool	14 20: HYDRAULIC PUMP	Part no.	Fig no.
X	X	013.1307	2.25		HYDRAULIC HOSE	7063019M91	14 20 005
X	X	013.1309	2.50		HYDRAULIC PUMP	7062813M1	14 20 008
X	X	013.1307	2.25		HYDRAULIC HOSE	7063001M91	14 20 011

1	<b>LA4858606</b>	∅ 10-14,5 x 1 mm	2	SEALING WASHER	RONDELLE ETANCH.	DICHTRING	ARANDELA SELLADO
2	7062830M1		1	BEARING HOUSING	CARTER ROULEMENT	LAGERGEHAEUSE	CAJA COJINETE
3	D45420100		1	SEAL	JOINT ETANCHEITE	DICHTUNGSSCHEIBE	JUNTA REDONDA
4	LA5103908		1	BANJO BOLT	VIS BANJO	HOHLSCHRAUBE	TORNILLO HUECO
5	339096X1	M6 x 35	4	HEX CAP SCREW	VIS TETE HEX	SECHKOPFSCHRAUBE	TORNILLO CAB HEX
6	390971X1	M6	8	FLAT WASHER	RONDELLE PLATE	UNTERLEGSCHIBE.	ARANDELA PLANA
7	3000192X1	M6	4	LOCKNUT	ÉCROU FREIN	SICHERUNGSMUTTER	CONTRATUERCA
8	D45739800		4	CLIP	PATTE D'ATTACHE	SHELLE	CLIP
9	7104461M91	◀▶ 3950 mm	1	HYDRAULIC HOSE	DURITE HYDRAULIC	HYDRAUL.SCHLAUCH	TUBO HYDRAULICO
10	LA11059476	∅ 35 mm	1	CIRCLIP	CIRCLIP	SEEGERING	GRAPA CIRCULAR
11	<b>LA14452881</b>	∅ 1,78 x 7,66 mm	1	O-RING	JOINT TORIQUE	O-RING	JUNTA TÓRICA
12	LA300136161		1	BUSH	BAGUE	BUCHSE	CASQUILLO
13	LA322126750		1	UNION	RACCORD	VERSCHRAUBUNG	RACOR
14	LA353587148		1	GASKET	JOINT	DICHTUNG	JUNTA
15	339069X1	∅ 15 mm	1	STOP RING	ANNEAU D'ARRÊT	ANSCHLAGRING	ANILLO DE TOPE
16	<b>339932X1</b>		2	BEAR. 6202 2RS	RLT 6202 2RS	LAGER 6202 2RS	RODA. 6202 2RS



D-ADAM-002-A

1	<b>7104471M91</b>	◀▶ 1560 mm	4	HYDRAULIC HOSE	DURITE HYDRAULIC	HYDRAUL.SCHLAUCH	TUBO HYDRAULICO
2	7104483M1		2	BRACKET	SUPPORT	HALTERUNG	SOPORTE
3	339666X1	M6 x 20	4	HEX CAP SCREW	VIS TETE HEX	SECHKOPFSCHRAUBE	TORNILLO CAB HEX
4	390971X1	M6	12	FLAT WASHER	RONDELLE PLATE	UNTERLEGSSCHEIBE.	ARANDELA PLANA
5	3000192X1	M6	6	LOCKNUT	ÉCROU FREIN	SICHERUNGSMUTTER	CONTRATUERCA
6	D45739400		4	SUPPORT	SUPPORT	TRAGER	SOPORTE
7	<b>391884X1</b>	M6 x 50	2	HEX CAP SCREW	VIS TETE HEX	SECHKOPFSCHRAUBE	TORNILLO CAB HEX
8	D28750784		2	BRACKET	SUPPORT	HALTERUNG	SOPORTE
9	7106716M91		2	HYDR CYLINDER	VERIN HYDRAULI.	HYDRAUL ZYLINDER	CILINDRO HIDRÁUL

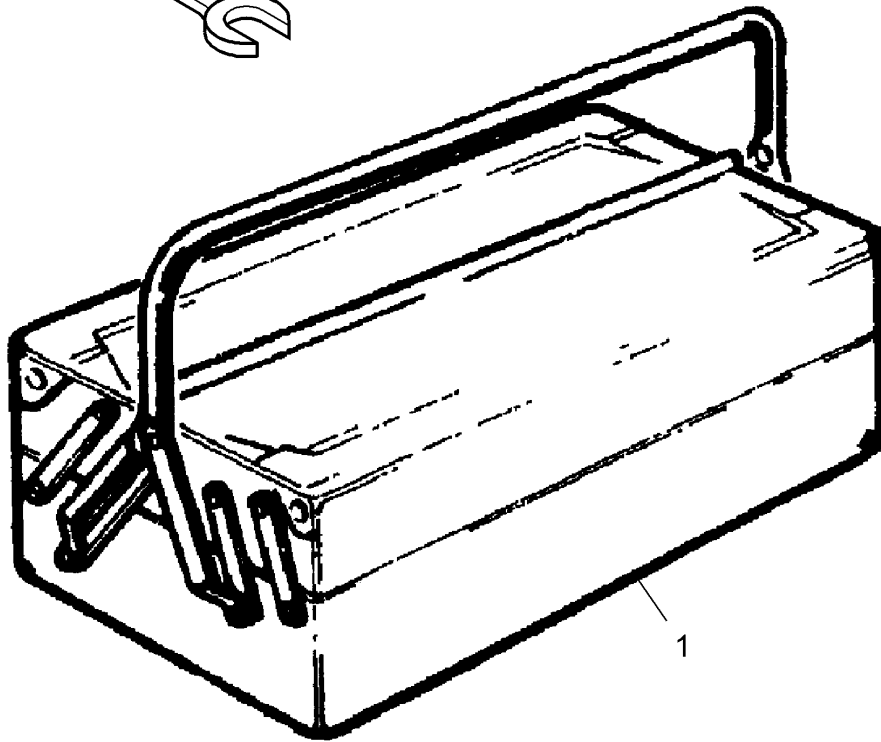
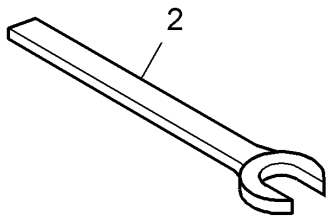


D-ADAR-004-A

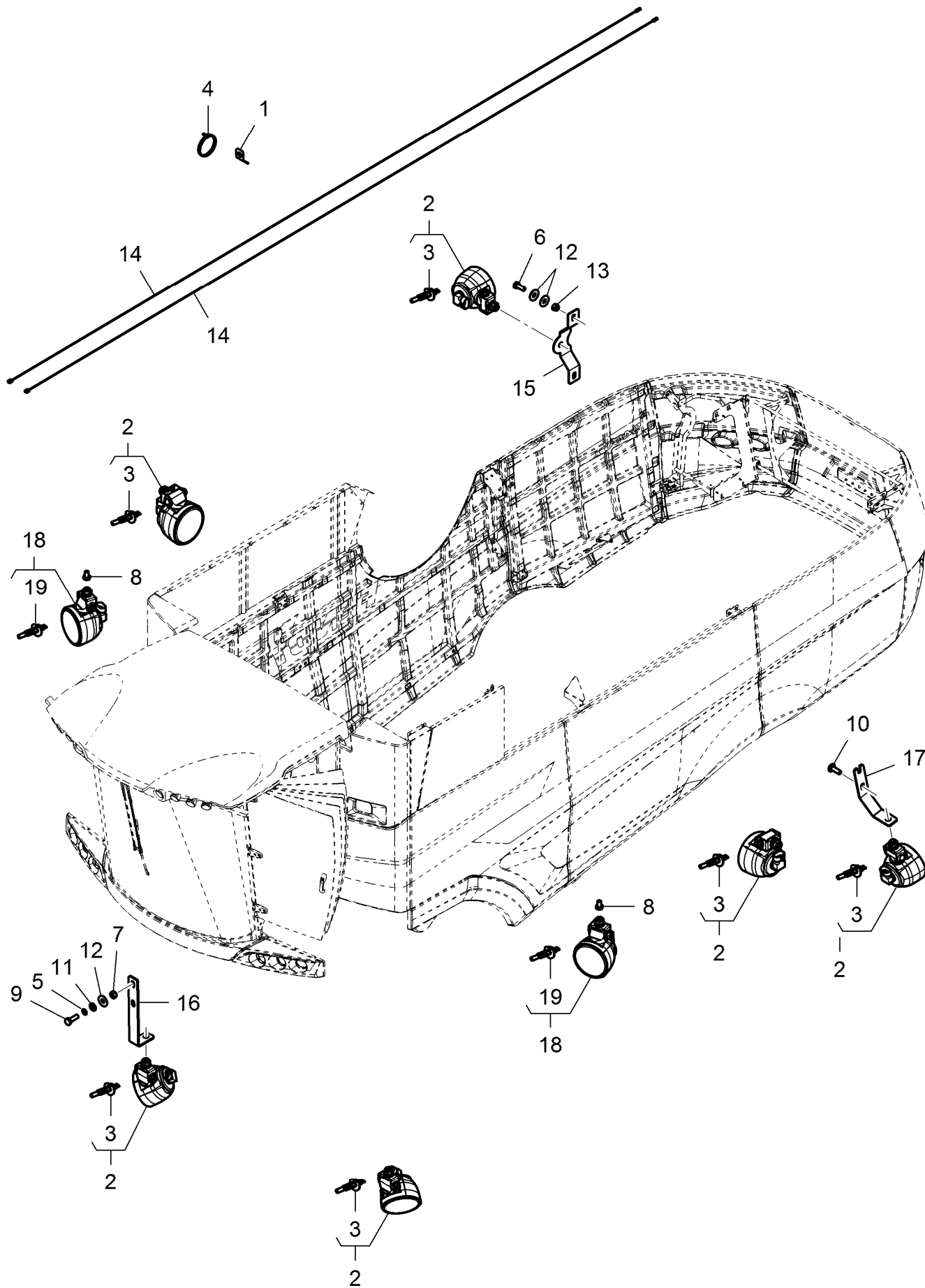


9490 X	9490 X AL	<b>Machine Housing and Guards - 15</b>					
		RTS code	Time	Tool	15 02: HAND RAIL	Part no.	Fig no.
X	X	002.0206	0.30		HAND RAIL	6248903M91	15 02 008

1	LA140045	M10	10	LOCK WASHER	RONDELLE FREIN	SICHERUNGSRING	ARANDELA SEGURID
2	LA322357	M6	5	SPRING WASHER	RONDELLE ELASTIQ	FEDERSCHEIBE	ARANDELA ELASTI.
3	<b>LA322358</b>	M8	40	SPRING WASHER	RONDELLE ELASTIQ	FEDERSCHEIBE	ARANDELA ELASTI.
4	LA298045971		1	KEEPER	CLAVETTE	SCHLIESSBLECH	CERROJO
5	LA301592031	10.2X22X1.8	1	RING	ANNEAU	RING.	ANILLO
6	LA355510820	⌀ 8,5-24 x 2 mm	10	FLAT WASHER	RONDELLE PLATE	UNTERLEGSSCHEIBE.	ARANDELA PLANA
7	3000121X1	M10	2	LOCKNUT	ÉCROU FREIN	SICHERUNGSMUTTER	CONTRATUERCA
8	3009430X1	M6 x 16	2	HEX HEAD BOLT	VIS	KOPFSCHRAUBE	TORNILLO
9	339009X1	M8 x 35	1	HEX CAP SCREW	VIS TETE HEX	SECHKOPFSCHRAUBE	TORNILLO CAB HEX
10	339030X1	M6	2	NUT METRIC	ECROU METRIQUE	MUTTER METRISCH	TUERCA METRICO
11	339169X1	M8	8	HEX NUT	ÉCROU HEXAGONAL	SECHSKANTMUTTER	TUERCA HEXAGONAL
12	339337X1	M8 x 30	38	HEX CAP SCREW	VIS TETE HEX	SECHKOPFSCHRAUBE	TORNILLO CAB HEX
13	339159X1	M8 x 65	4	HEX CAP SCREW	VIS TETE HEX	SECHKOPFSCHRAUBE	TORNILLO CAB HEX
14	339451X1	M10 x 30	10	HEX CAP SCREW	VIS TETE HEX	SECHKOPFSCHRAUBE	TORNILLO CAB HEX
15	7105736M91		1	LOWER HINGE	CHARNIÈRE INFÉR.	UNTERES GELENK	BISAGRA INFERIOR
16	339488X1	M10 x 85	2	HEX CAP SCREW	VIS TETE HEX	SECHKOPFSCHRAUBE	TORNILLO CAB HEX
17	385369X1	M8 x 20	3	CARRIAGE BOLT	VIS COLLET CARRE	SCHLOSSSCHRAUBE	TORNILLO C. CUAD
18	391038X1	M6	5	FLAT WASHER	RONDELLE PLATE	UNTERLEGSSCHEIBE.	ARANDELA PLANA
19	391039X1	M8	36	FLAT WASHER	RONDELLE PLATE	UNTERLEGSSCHEIBE.	ARANDELA PLANA
20	<b>394367X1</b>	M8	1	NYLON LOCKNUT	ÉCROU AUTOFREINÉ	SICHERUNGSMUTTER	TUERCA RETENCION
21	7058907M1		1	CYLINDER	CYLINDRE	ZYLINDER	CILINDRO
22	7062672M1		1	CABLE	CÂBLE	KABEL	CABLE
23	7104722M91	▶	1	BRACKET	SUPPORT	HALTERUNG	SOPORTE
24	7104724M91	▶▶	1	FRAME	BATI	RAHMEN	BASTIDOR
25	7104725M91	▶▶▶	1	FRAME	BATI	RAHMEN	BASTIDOR
26	7104733M91	▶▶▶	1	BRACKET	SUPPORT	HALTERUNG	SOPORTE
27	7104739M91	▶▶▶	1	FRAME	BATI	RAHMEN	BASTIDOR
28	7105502M1		1	PLATE	PLAQUE	PLATTE	PLACA
29	7105548M91		1	SUPPORT	SUPPORT	TRAGER	SOPORTE
30	7105740M91		1	SUPPORT	SUPPORT	TRAGER	SOPORTE
31	7105875M1		2	PLATE	PLAQUE	PLATTE	PLACA
32	7105881M91-FE		1	ELEMENT	ELEMENT	ELEMENT	ELEMENTO
33	7105884M91-FE	▶▶	1	CORNER	COIN	ECKE	ESCUADRA.
34	7105892M91-FE	▶▶▶	1	CORNER	COIN	ECKE	ESCUADRA.
35	7105910M91-FE	▶▶▶	1	DOOR	PORTE	TÜR	PUERTA
36	7105899M91-FE	▶▶▶	1	DOOR	PORTE	TÜR	PUERTA
37	7105768M1		1	SUPPORT	SUPPORT	TRAGER	SOPORTE
38	7106381M1	M8 x 25	6	SCREW	VIS	SCHRAUBE	TORNILLO
39	339123X1	M8 x 20	2	HEX CAP SCREW	VIS TETE HEX	SECHKOPFSCHRAUBE	TORNILLO CAB HEX
40	7104983M91		1	UPPER HINGE	CHARNIÈRE SUPÉR.	OBERES SCHARNIER	BISAGRA SUPERIOR
41	7105505M91		1	STRIKER	PERCUTEUR	SCHLIESSPLATTE	PESTILLO







D-AW05-002-A

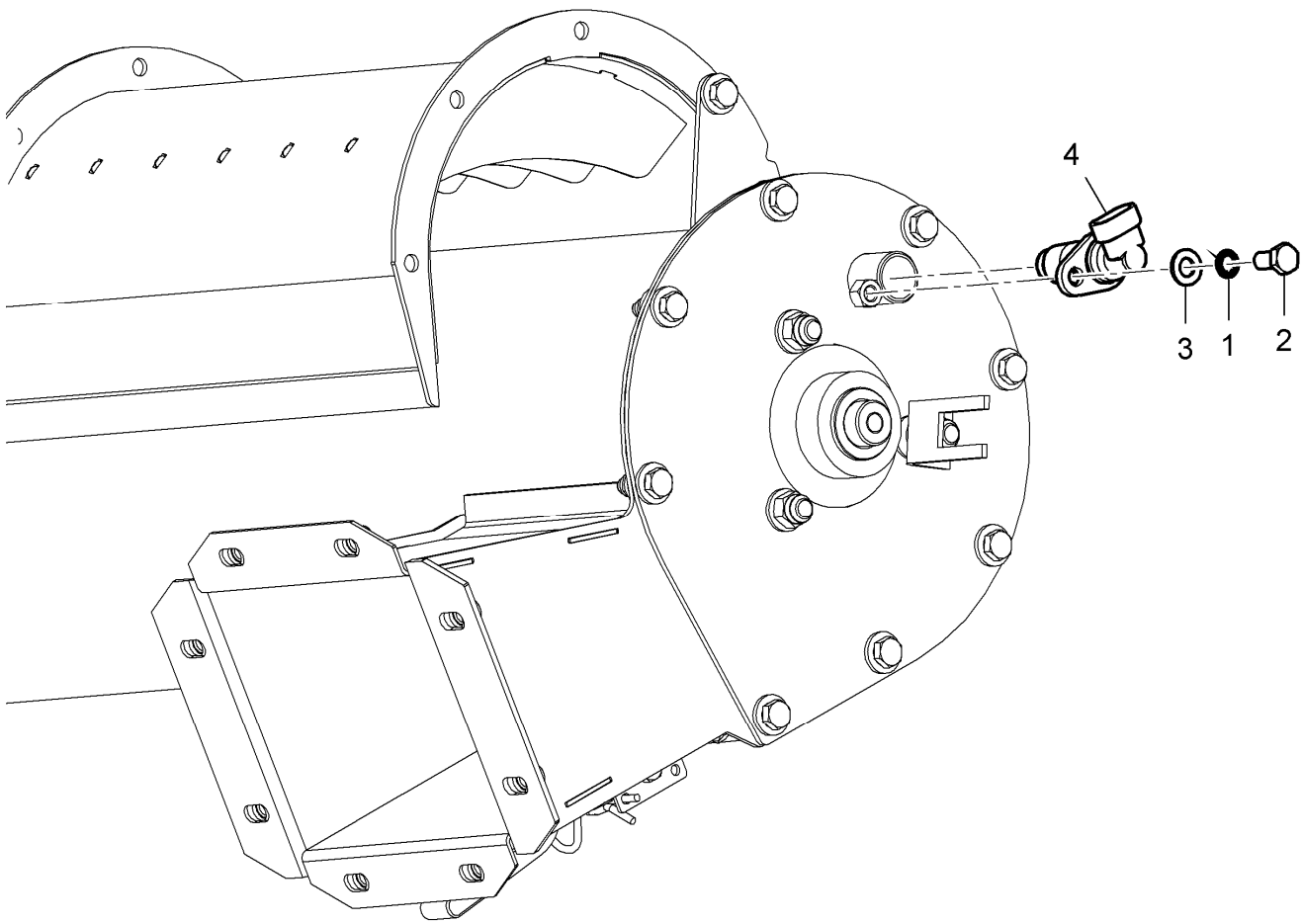
1	7063939M1		1	BRACKET	SUPPORT	HALTERUNG	SOPORTE
2	339123X1	M8 x 20	1	HEX CAP SCREW	VIS TETE HEX	SECHKOPFSCHRAUBE	TORNILLO CAB HEX
3	390972X1	M8	2	FLAT WASHER	RONDELLE PLATE	UNTERLEGSCHIEBE.	ARANDELA PLANA
4	3000193X1	M8	1	HEX LOCKNUT	CONTRE-ÉCROU	MUTTER	TUERCA
5	<b>6220545M1</b>		1	SPEED SENSOR	CAPTEUR VITESSE	GESCHW.SENSOR	ENSOR GIR.
6	<b>7059862M1</b>	12 / 24 bar	1	PRESSURE SWITCH	MANOCONTACT	DRUCKSCHALTER	INTERRUPTOR
7	1442394X1	M5 x 25	2	HEX CAP SCREW	VIS TETE HEX	SECHKOPFSCHRAUBE	TORNILLO CAB HEX
8		[A]	1	SPEED SENSOR	CAPTEUR VITESSE	GESCHW.SENSOR	ENSOR GIR.
9	<b>D28780516</b>	8	1	INDUCTIVE SENSOR	CAPTEUR INDUCTIF	INDUKT EMPFANGER	CAPTADOR INDUCTI
10	D40692400	8 M10 x 30	1	HEX SOCKET SCREW	VIS 6 PANS CREUX	INNBUSCHRAUBE	TORNILLO HEX CAB
11	<b>1440487X1</b>	8	1	BEAR. 6203 2RS	RLT 6203 2RS	LAGER 6203 2RS	RODA. 6203 2RS
12	390734X1	8 M10	1	FLAT WASHER	RONDELLE PLATE	UNTERLEGSCHIEBE.	ARANDELA PLANA
13	7063758M91	8	1	SPEED SENSOR	CAPTEUR VITESSE	GESCHW.SENSOR	ENSOR GIR.
14	<b>D28785685</b>		1	SENSOR	CAPTEUR	SENSOR	SENSOR
15	391038X1	M6	3	FLAT WASHER	RONDELLE PLATE	UNTERLEGSCHIEBE.	ARANDELA PLANA
16	339375X1	M6	3	LOCK WASHER	RONDELLE FREIN	SICHERUNGSRING	ARANDELA SEGURID
17	339666X1	M6 x 20	3	HEX CAP SCREW	VIS TETE HEX	SECHKOPFSCHRAUBE	TORNILLO CAB HEX
18	D28185674		2	BRACKET	SUPPORT	HALTERUNG	SOPORTE
19	D28785689		2	MAGNET	AIMANT	MAGNET	IMÁN
20	390469X1	M5	4	FLAT WASHER	RONDELLE PLATE	UNTERLEGSCHIEBE.	ARANDELA PLANA
21	339381X1	M5	2	LOCK WASHER	RONDELLE FREIN	SICHERUNGSRING	ARANDELA SEGURID
22	D40400700	M5 x 16	2	HEX CAP SCREW	VIS TETE HEX	SECHKOPFSCHRAUBE	TORNILLO CAB HEX
23	1441494X1	M5	2	NYLON LOCKNUT	ÉCROU AUTOFREINÉ	SICHERUNGSMUTTER	TUERCA RETENCION
24	7063765M91		1	HARNES	FAISCEAU	KABELBAUM	MAZO CABLES
25	7063753M1	24	1	CONNECTOR	CONNECTEUR	STECKER	CONECTOR
26	D44900628	24	1	CONNECTOR	CONNECTEUR	STECKER	CONECTOR
27	D45010034	24	1	CONNECTOR	CONNECTEUR	STECKER	CONECTOR
28	D45007800	◀▶ 142 mm	1	CABLE TIE	ATTACHE CABLE	KABELBINDER	APRIETACABLES
29	7105320M1	M6	4	CLAMP	COLLIER	KLEMME	ABRAZADERA
30	D45050037	◀▶ 203 mm	3	CABLE TIE	ATTACHE CABLE	KABELBINDER	APRIETACABLES
31	D45068400	◀▶ 99 mm	2	CABLE TIE	ATTACHE CABLE	KABELBINDER	APRIETACABLES

[A] NOT SERVICED ORDER DETAIL  
PAS FOURNIES COMMANDER DETAIL  
NICHT LIEFERTEILE BESTELLE EINZELNEN  
NO SUMINISTRADA PEDIR DETALLES

9490 X		9490 X AL		Tools and Electrical System - 16			
		RTS code	Time	Tool	16 14: REAR AXLE	Part no.	Fig no.
X	X	008.0816	0.50		TRAILER CONNECTOR	LA5102156	16 14 001
X	X	008.0824	1.50		HARNESS	7063924M91	16 14 006
X	X	008.0824	1.50		HARNESS	7106229M91	16 14 015
X	X	008.0819	0.25		SENSOR ARM	7059282M91	16 14 016
X	X	008.0819	0.25		CONNECTION ROD	7059344M1	16 14 020
X	X	008.0815	0.50		POTENTIOMETER FOR STEERING WHEEL ANGLE	6248230M1	16 14 030

---

1	LA322357	M6	2	SPRING WASHER	RONDELLE ELASTIQ	FEDERSCHEIBE	ARANDELA ELASTI.
2	LA323215650		1	ELECTRIC SOCKET.	PRISE ELECTRIQUE	STECKDOSE.	TOMA ELÉCTRICA
3	339666X1	M6 x 20	2	HEX CAP SCREW	VIS TETE HEX	SECHKOPFSCHRAUBE	TORNILLO CAB HEX
4	7063921M91		1	HARNESS	FAISCEAU	KABELBAUM	MAZO CABLES
5	7105478M1		1	BRACKET	SUPPORT	HALTERUNG	SOPORTE

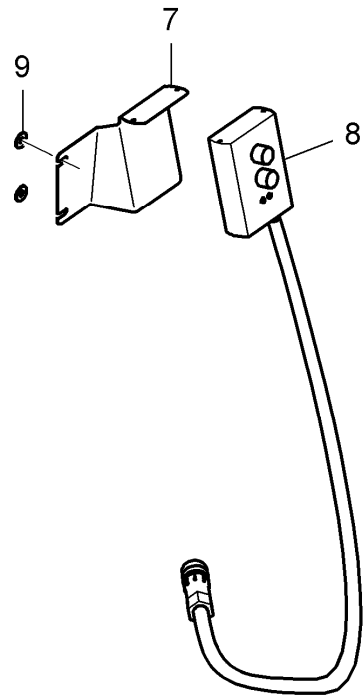
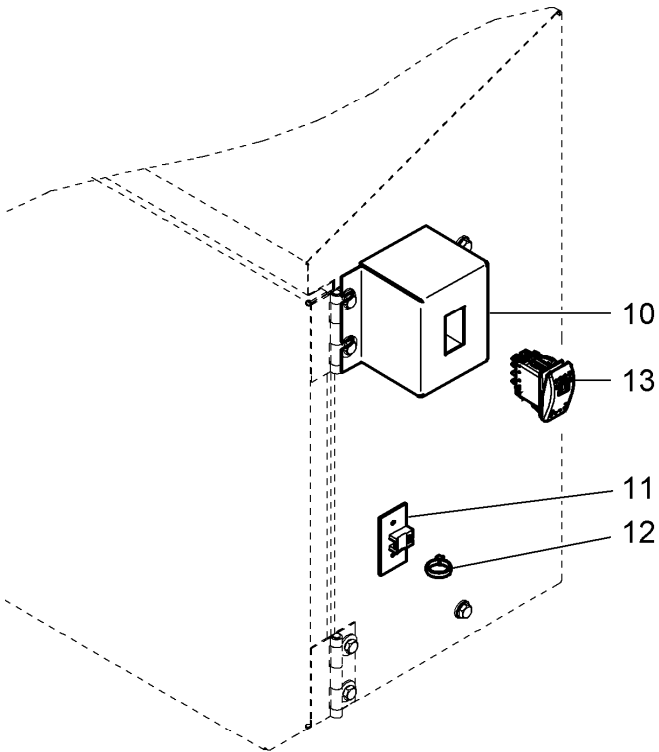
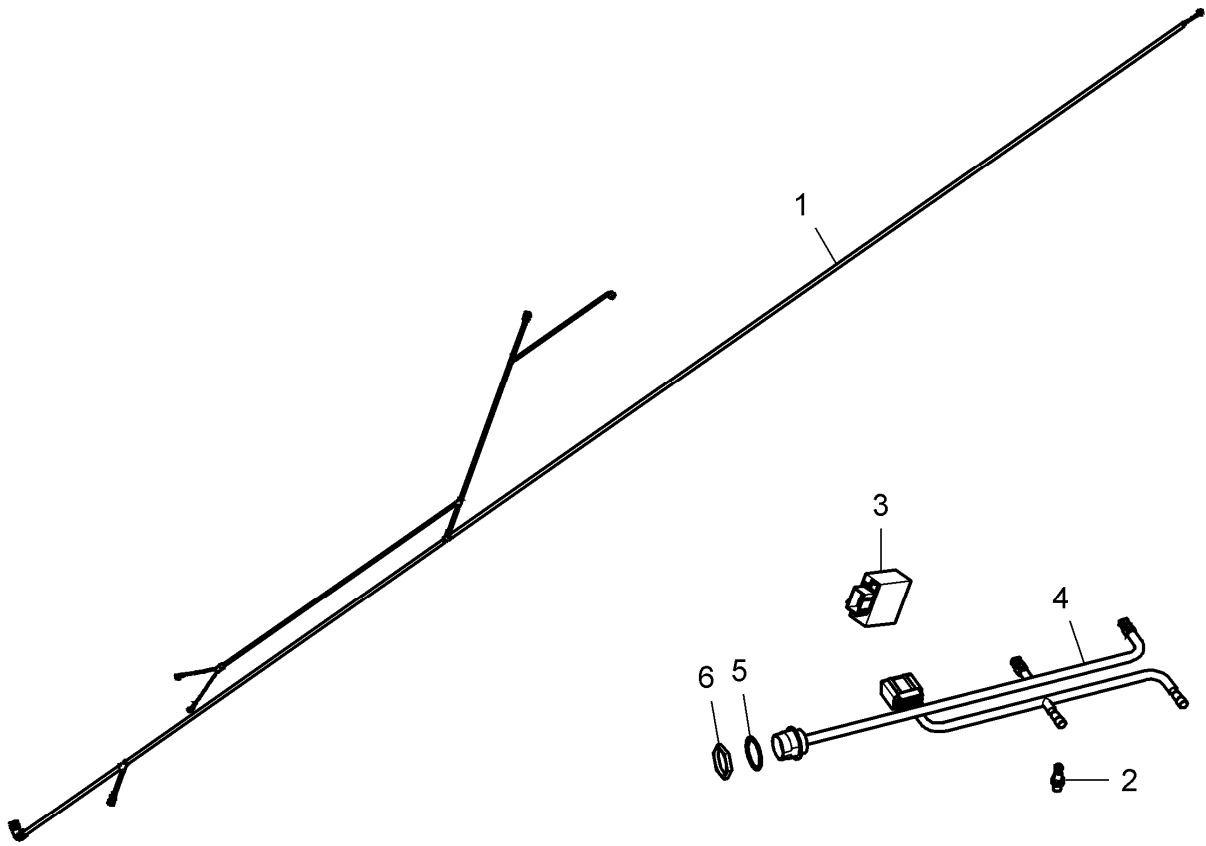


D-AFXZ-001-A



9490 X		9490 X AL		Tools and Electrical System - 16			
		RTS code	Time	Tool	16 25: ELECTRICAL BOX, REAR, STANDARD	Part no.	Fig no.
X		008.0807	2.00		COMPUTER INCL. PROGRAMMING AND CALIBRATION	7104877M91	16 25 017
X		008.0824	4.00		ELECTRIC BOX ASSEMBLY	7107155M91	16 25 018
X		008.0824	0.50		LOCK, ELECTRIC BOX DOOR	7105374M1	16 25 024
X		008.0824	0.25		RUBBER SEAL	7105375M1	16 25 027
X		008.0824	1.75		HARNES	7063919M91	16 25 029
X		008.0813	1.00		FUSE RACK	7061551M1	16 25 033

1	7063927M91			1	HARNES	FAISCEAU	KABELBAUM	MAZO CABLES
2	LA10397980	1		2	GROMMET	PASSE FIL	GUMMITUELLE	PASACABLE
3	LA10396480	1		2	GROMMET	PASSE FIL	GUMMITUELLE	PASACABLE
4	7109247M1			2	PLATE	PLAQUE	PLATTE	PLACA
5	391894X1	M6 x 14		6	HEX CAP SCREW	VIS TETE HEX	SECHKOPFSCHRAUBE	TORNILLO CAB HEX
6	339375X1	M6		6	LOCK WASHER	RONDELLE FREIN	SICHERUNGSRING	ARANDELA SEGURID
7	390971X1	M6		4	FLAT WASHER	RONDELLE PLATE	UNTERLEGSCHIEBE.	ARANDELA PLANA
8	391038X1	M6		4	FLAT WASHER	RONDELLE PLATE	UNTERLEGSCHIEBE.	ARANDELA PLANA
9	7107721M1			4	SUPPORT	SUPPORT	TRAGER	SOPORTE
10	7108337M91			4	ACTUATOR	ACTUATEUR	BETÄTIGER	ACTUADOR
11	D45007800	◀ 142 mm		13	CABLE TIE	ATTACHE CABLE	KABELBINDER	APRIETACABLES
12	7108958M91			1	SENSOR	CAPTEUR	SENSOR	SENSOR
13		12 ▶ Ref. 12		1	CABLE	CÂBLE	KABEL	CABLE
14		12 ▶ Ref. 12		1	SENSOR	CAPTEUR	SENSOR	SENSOR

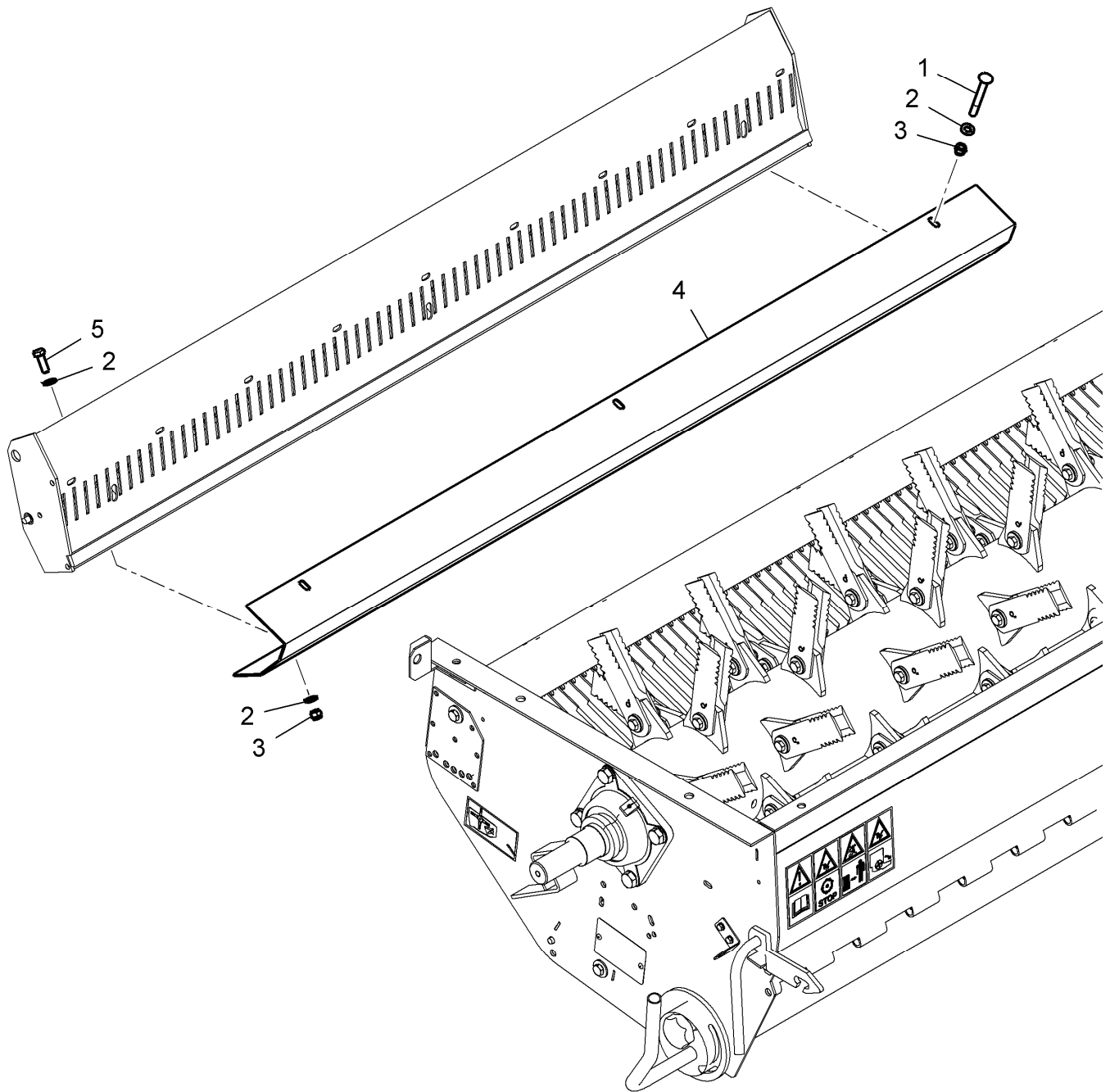


D-AFYW-002-A



9490 X	9490 X AL	<b>Tools and Electrical System - 16</b>					
		RTS code	Time	Tool	16 37: AGCOMMAND	Part no.	Fig no.
X	X	008.0807	0.75		AGCOMMAND	ACZ0001630	16 37 004

1	391375X1	M12 x 35	10	HEX CAP SCREW	VIS TETE HEX	SECHKOPFSCHRAUBE	TORNILLO CAB HEX
2	3014494X1	M12	7	LOCK WASHER	RONDELLE FREIN	SICHERUNGSRING	ARANDELA SEGURID
3	338686X1	⊘ 13,5-27 x 4 mm	13	FLAT WASHER	RONDELLE PLATE	UNTERLEGSCHIEBE.	ARANDELA PLANA
4	1440330X1	M12	3	LOCKNUT	ÉCROU FREIN	SICHERUNGSMUTTER	CONTRATUERCA
5	D49070125	👁 17-2 No	1	STRAW CHOPPER	BROYEUR PAILLE	STROHHAECKSLER	PICAPAJA
		👁 17-3 No					
6	339337X1	M8 x 30	2	HEX CAP SCREW	VIS TETE HEX	SECHKOPFSCHRAUBE	TORNILLO CAB HEX
7	390972X1	M8	4	FLAT WASHER	RONDELLE PLATE	UNTERLEGSCHIEBE.	ARANDELA PLANA
8	<b>394367X1</b>	M8	2	NYLON LOCKNUT	ÉCROU AUTOFREINÉ	SICHERUNGSMUTTER	TUERCA RETENCION
9	6248951M91		1	HANDLE	MANCHE	GRIF	EMPUNADURA
10	6248956M91		1	DEFLECTOR	DEFLECTEUR	ABWEISBLECH	DEFLECTOR
11	6248957M91		1	DEFLECTOR	DEFLECTEUR	ABWEISBLECH	DEFLECTOR
12	<b>D45070067</b>		1	GAS STRUT	VERIN AMORTISSEU	GASZYLINDER	CILINDRO GAS
13	LA322324250		2	LOCK PIN	GOUPILLE	STIFT	PASADOR
14	LA322331250		2	BUSH	BAGUE	BUCHSE	CASQUILLO
15	LA350356208		2	SPRING	RESSORT	FEDER	RESORTE
16	1442992X1	⊘ 3,2 x 16 mm	2	SPLIT PIN	GOUPILLE FENDUE	SPALTBOLZEN	PASADOR HENDIDO



D-AGZL-004-A

CLICK HERE TO **DOWNLOAD** THE COMPLETE MANUAL

- Thank you very much for reading the preview of the manual.
- You can download the complete manual from: [www.heydownloads.com](http://www.heydownloads.com) by clicking the link below



- Please note: If there is no response to CLICKING the link, please download this PDF first and then click on it.

CLICK HERE TO **DOWNLOAD** THE COMPLETE MANUAL