

DKHD / DKHDT Rotary Disc Header REPAIR TIME SCHEDULE

Form Number 79033102 A Rev.

Contents

Section	Description
1	Drives
2	Cutterbar
3	Electrical
4	Hay Conditioner
5	Frame and Shields
6	Hydraulics
7	Decal and Kits

*NOTE: This Repair Time Schedule (RTS) can be used with Repair Time
Schedule storage binder supplied separately through the repair parts department.*

CLICK HERE TO **DOWNLOAD** THE COMPLETE MANUAL

- Thank you very much for reading the preview of the manual.
- You can download the complete manual from: www.heydownloads.com by clicking the link below



- Please note: If there is no response to CLICKING the link, please download this PDF first and then click on it.

CLICK HERE TO **DOWNLOAD** THE COMPLETE MANUAL

9190 / 9192 / DKHD / DKHDT ROTARY HEADER
DRIVES

Item



Description

10

SPINDLE ASSEMBLY

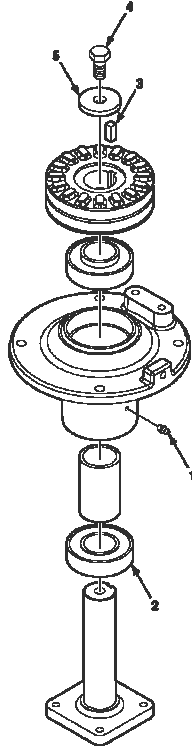
-

PD 20 02

0,6

SPINDLE ASSEMBLY-OVERHAUL

700165966-0



700 165 966-0



U-JOINT ASSEMBLY

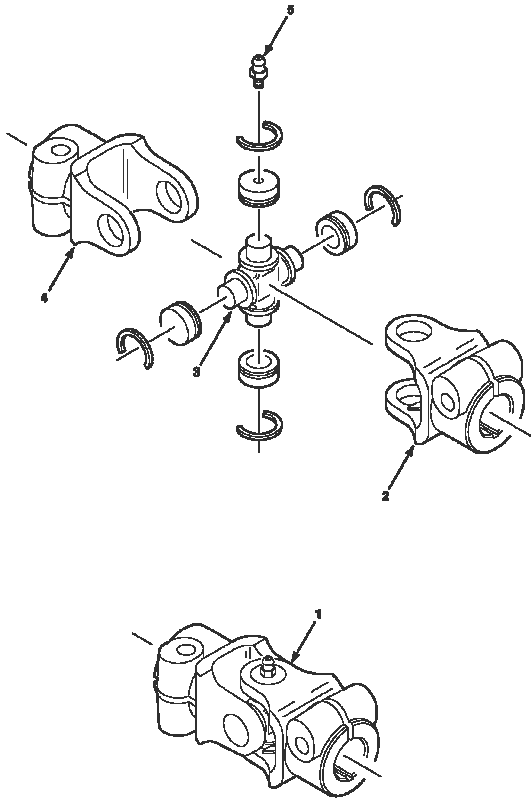
1

PD 20 18

0.7

U-JOINT ASSEMBLY-OVERHAUL

700715721-0



700 710 721-0

9190 / 9192 / DKHD / DKHDT ROTARY HEADER
HAY CONDITIONER

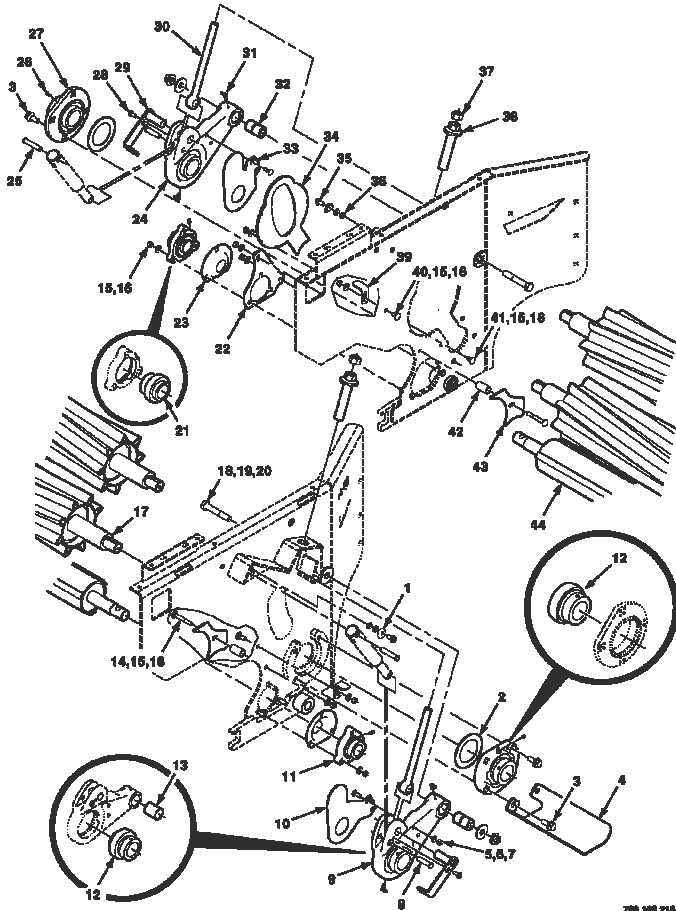
Item



Description

30

HAY CONDITIONER-SINGLE



700 100 210-4

2	PD 20 26	1.0	BEARING SHIELD
4	SH 10 06	0.1	U-JOINT SHIELD
9	PD 20 27	1.0	BEARING HOUSING ASSEMBLY
10	PD 20 29	1.1	LEFT CONDITIONER SHIELD
11	PD 20 30	1.0	BEARING ASSEMBLY
12	PD 20 31	1.2	SPHERICAL BEARING
13	PD 20 32	0.7	BRONZE BUSHING
17	PD 20 33	3.0	UPPER H/C ROLL
17	PD 20 34	6.0	LOWER H/C ROLL
21	PD 20 35	1.2	SPHERICAL BEARING
22	PD 20 36	1.1	BEARING PLATE
23	PD 20 37	1.1	BEARING SHIELD
24	PD 20 28	1.0	BEARING HOUSING ASSEMBLY
27	PD 20 38	1.0	BEARING ASSEMBLY
29	PD 20 39	0.1	PIN
30	PD 20 40	0.1	DRAWBOLT
32	PD 20 41	0.7	BUSHING
33	PD 20 42	1.1	RIGHT CONDITIONER SHIELD
34	PD 20 43	1.2	FILLER PLATE
38	PD 20 44	0.1	STOP
39	PD 20 45	0.1	STOP INDICATOR
42	PD 20 46	0.1	SPACER
43	PD 20 47	0.1	SHIELD PLATE
44	PD 20 48	3.0	HELPER ROLL

700168216-0

9190 / 9192 / DKHD / DKHDT ROTARY HEADER
 FRAME AND SHIELDS

Item



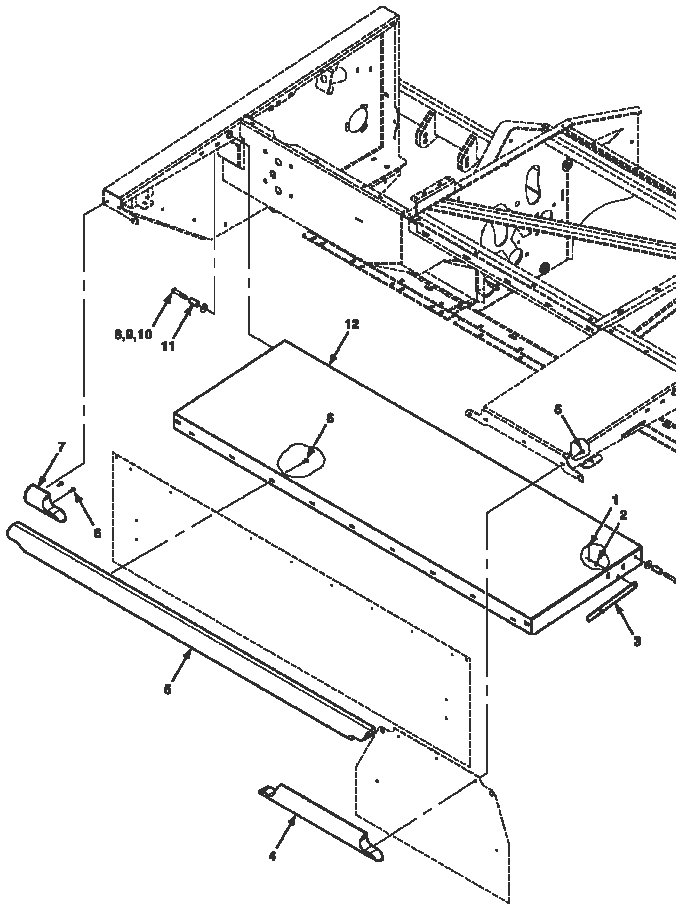
Description

40

SHIELDS-CUTTERBAR, RIGHT

3	SH 10 44	0.1	LATCH
4	SH 10 45	0.1	CENTER BUMPER
5	SH 10 43	0.2	DOOR BUMPER
7	SH 10 46	0.1	RIGHT BUMPER
12	SH 10 41	0.4	SHIELD PANEL

700165885-2



700165885-2

CLICK HERE TO **DOWNLOAD** THE COMPLETE MANUAL

- Thank you very much for reading the preview of the manual.
- You can download the complete manual from: www.heydownloads.com by clicking the link below



- Please note: If there is no response to CLICKING the link, please download this PDF first and then click on it.

CLICK HERE TO **DOWNLOAD** THE COMPLETE MANUAL