

TG9300B

Terragator Chassis

REPAIR TIME SCHEDULE

Content

Air Conditioning and Heating System
Air System
Attachments
Axles
Brake System
Cab
Chassis
Controller System
Decals
Drive Train System
Electrical System
Engine, Fuel and Exhaust System
Frame and Suspension
Guidance System
Hydraulic System
Steering System
Wheels

CLICK HERE TO **DOWNLOAD** THE COMPLETE MANUAL

- Thank you very much for reading the preview of the manual.
- You can download the complete manual from: www.heydownloads.com by clicking the link below



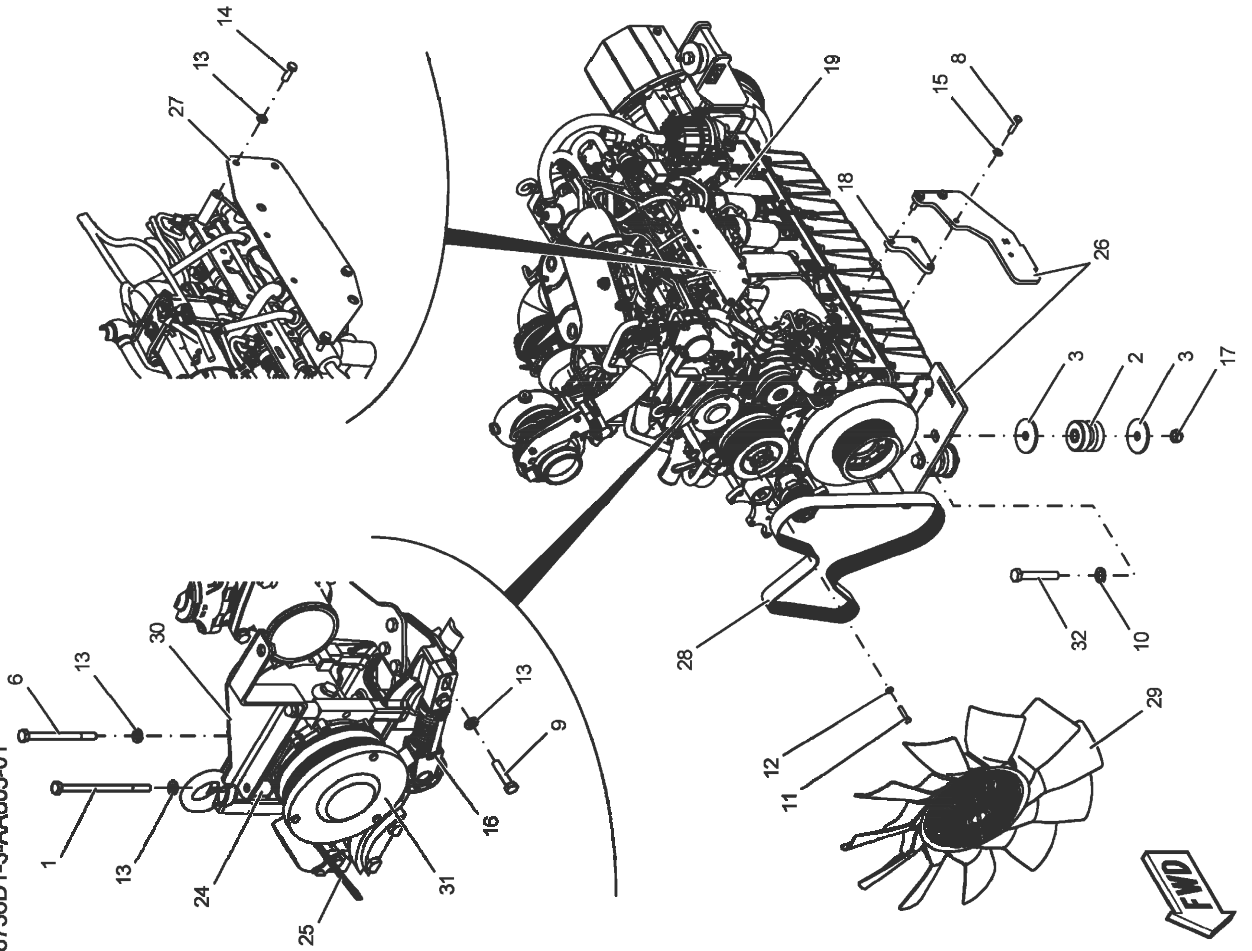
- Please note: If there is no response to CLICKING the link, please download this PDF first and then click on it.

CLICK HERE TO **DOWNLOAD** THE COMPLETE MANUAL

**TG9300B TERRAGATOR CHASSIS
ENGINE, FUEL AND EXHAUST SYSTEM**

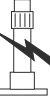
ENGINE INSTALLATION, 425HP,
EPA COMPLIANT

558736D1-3-AA605-01



Item

- 2
- 16
- 25
- 26
- 28



- 58 39 05
- 15 03 28
- 15 01 18
- 58 39 03
- 59 07 00
- 51 06 00



- 3.00
- 0.50
- 1.00
- 2.00
- 1.00
- 46.00

Description

- MOUNTING
- TENSIONER PULLEY
- BELT
- ENGINE MOUNT
- BELT

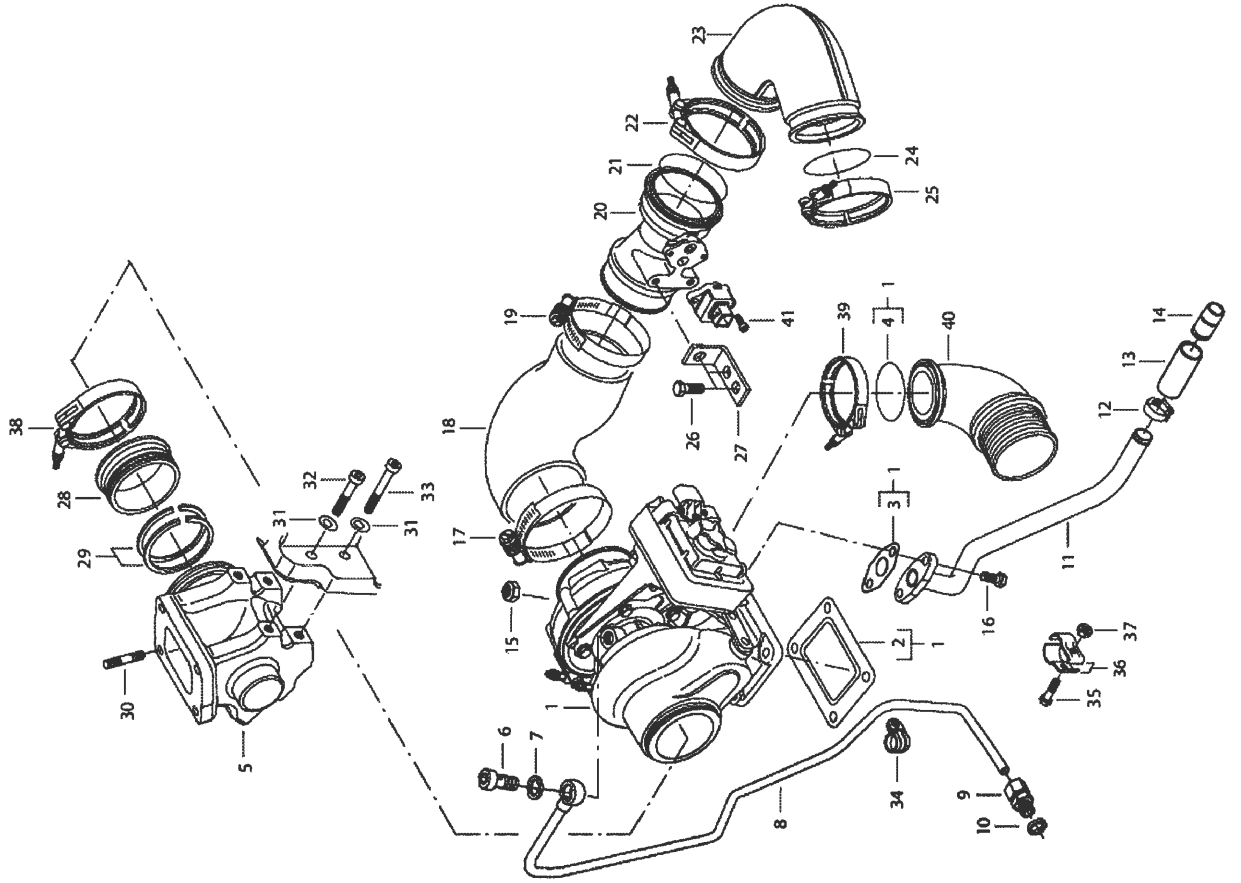
LONG BLOCK REPLACEMENT
TIME INCLUDES ENGINE REMOVAL, SWAPPING OF ENGINE
COMPONENTS, AND ENGINE INSTALLATION

558736D1-3-AA605-01

TG9300B TERRAGATOR CHASSIS
ENGINE, FUEL AND EXHAUST SYSTEM

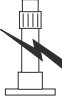
TURBOCHARGER ASSEMBLY

VW010010143



Item

- 1
- 2
- 3
- 4
- 5
- 8
- 11
- 14
- 18
- 20
- 23
- 40



- 78 26 00
- 78 64 03
- 78 64 01
- 58 64 15
- 58 64 11
- 78 27 00
- 78 28 00
- 78 28 00
- 72 06 05
- 72 06 05
- 72 06 05
- 72 06 05



- 3.50
- 3.50
- 1.25
- 0.25
- 2.00
- 0.75
- 0.75
- 0.75
- 0.50
- 0.50
- 0.50
- 0.50

Description

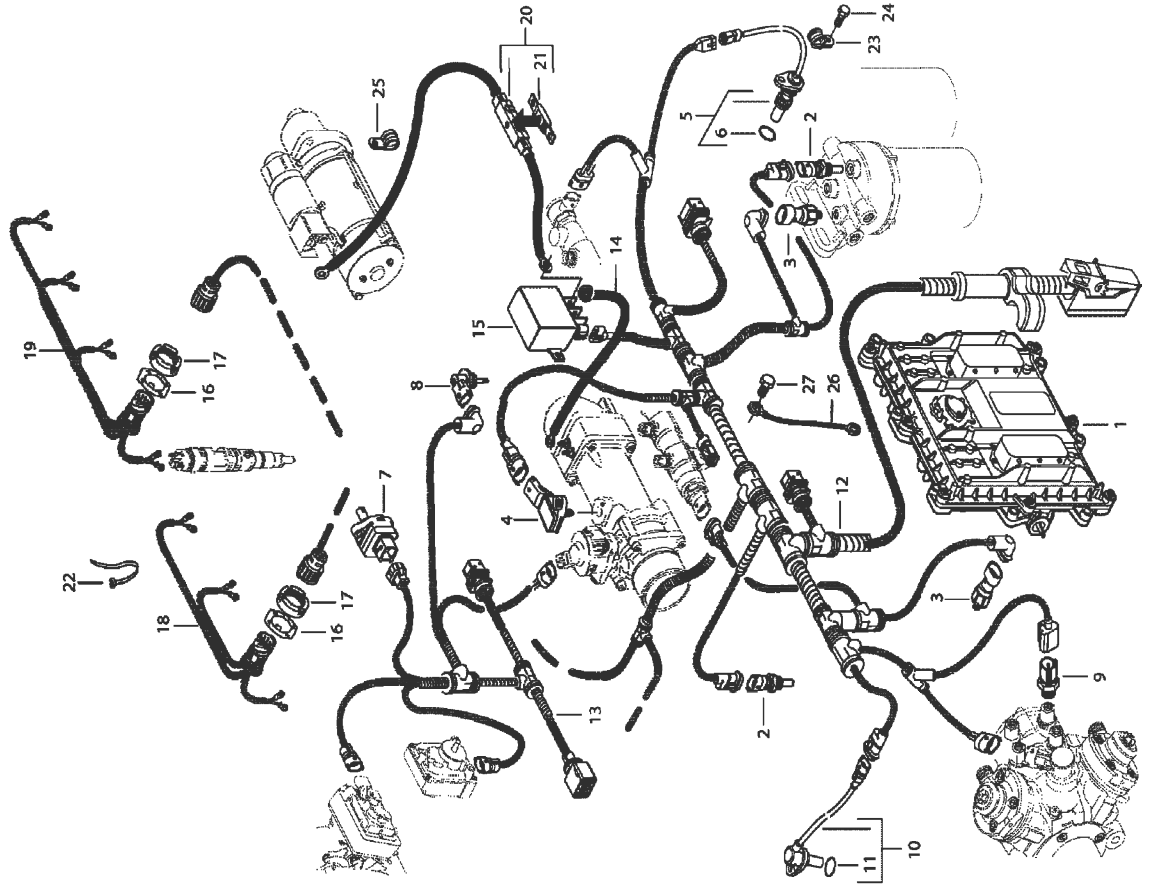
- KIT, TURBOCHARGER
- GASKET
- GASKET
- O-RING
- FLANGE
- TURBOCHARGER LUBRICATION OIL PIPE
- TURBOCHARGER LUBRICATION OIL PIPE
- OIL PIPE
- AIR PIPE
- AIR PIPE
- AIR PIPE
- AIR PIPE

VW010010143

TG9300B TERRAGATOR CHASSIS
ENGINE, FUEL AND EXHAUST SYSTEM

EEM PARTS

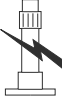
VW010010110-01



VW010010110-01

Item

- 1
- 2
- 3
- 4
- 5



- 59 23 01
- 59 23 43
- 59 23 02
- 59 23 27
- 59 23 03

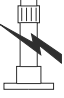

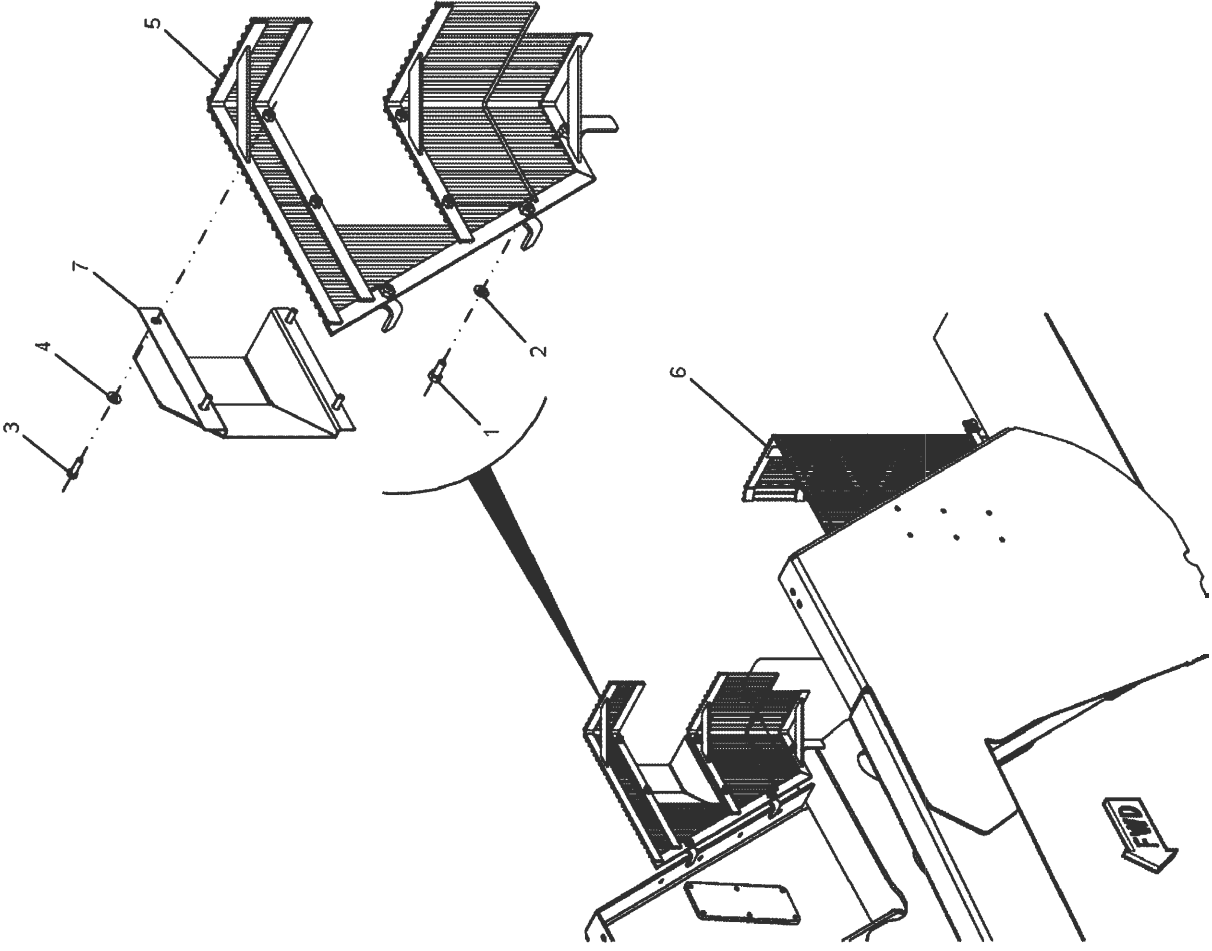


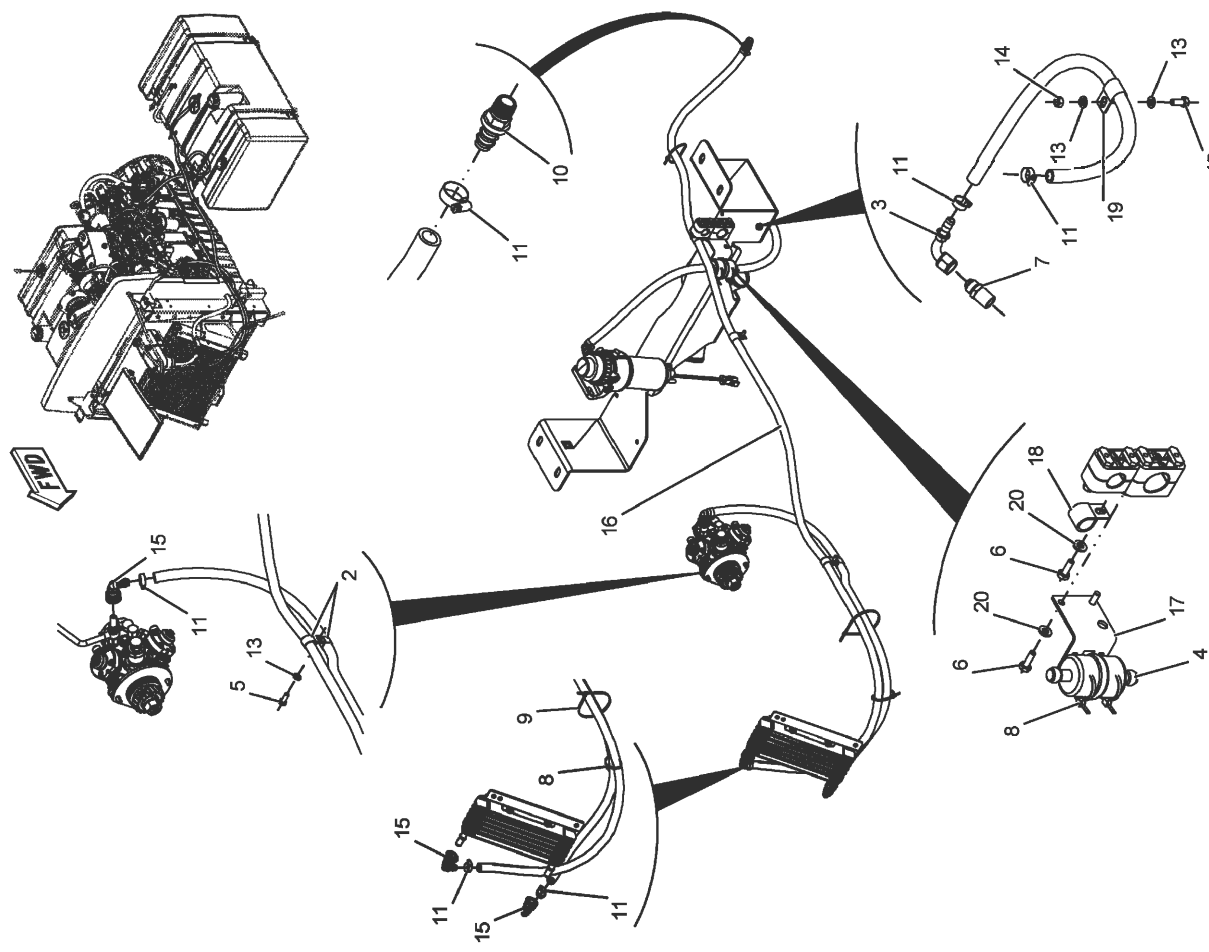
- 1.00
- 0.75
- 0.75
- 0.75
- 0.75

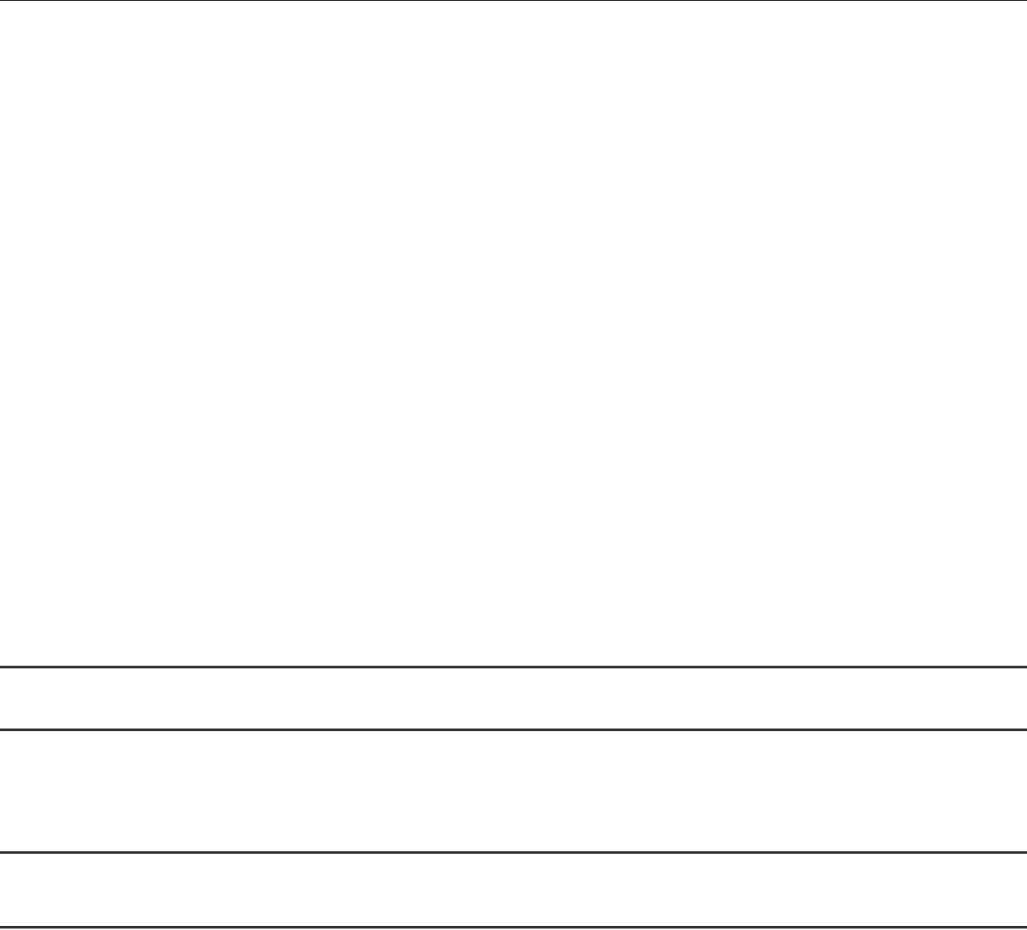
Description

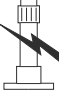

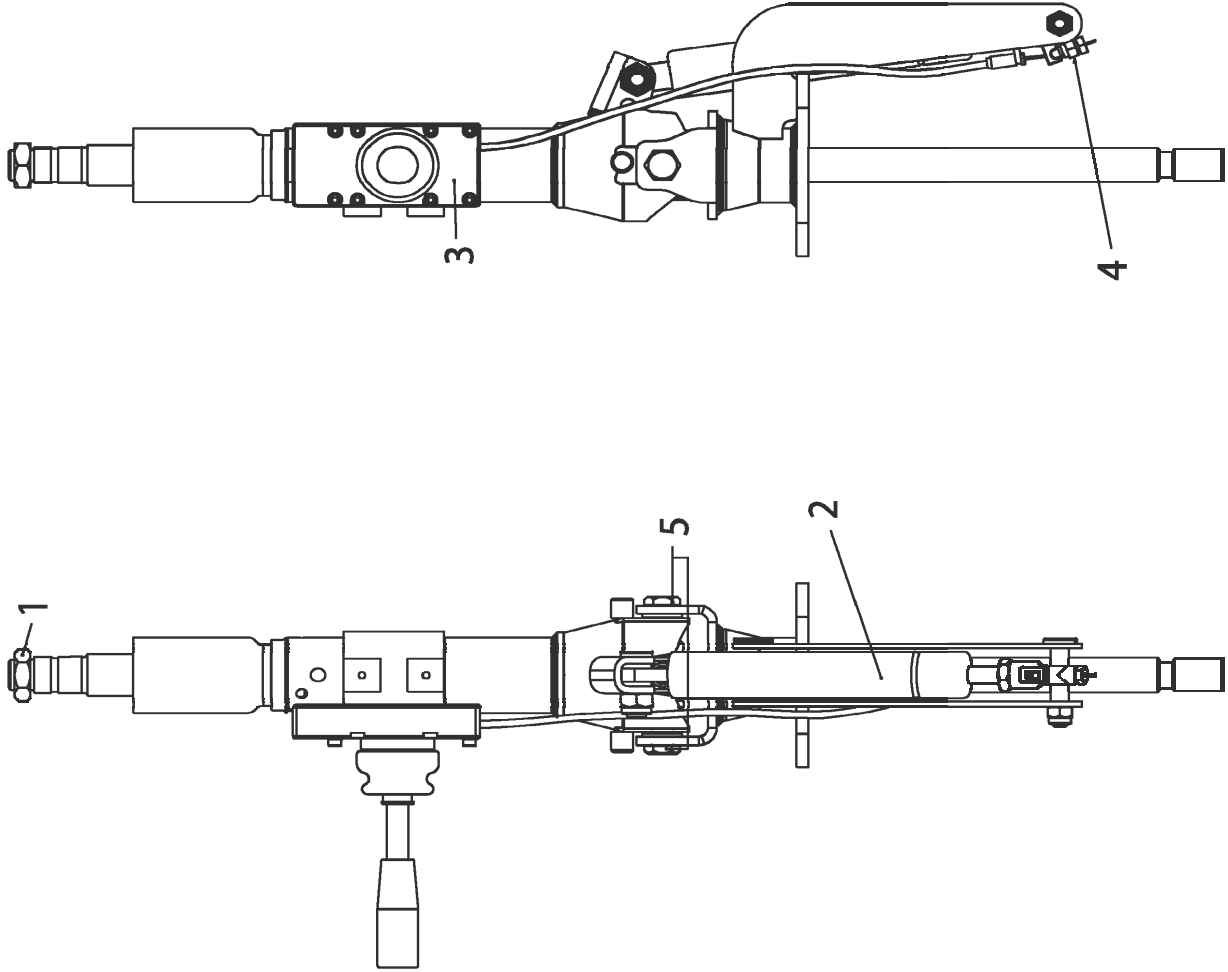
- CONTROL UNIT
- TEMPERATURE SENSOR
- PRESSURE SENSOR
- BOOST PRESSURE SENSOR
- SPEED SENSOR

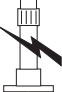

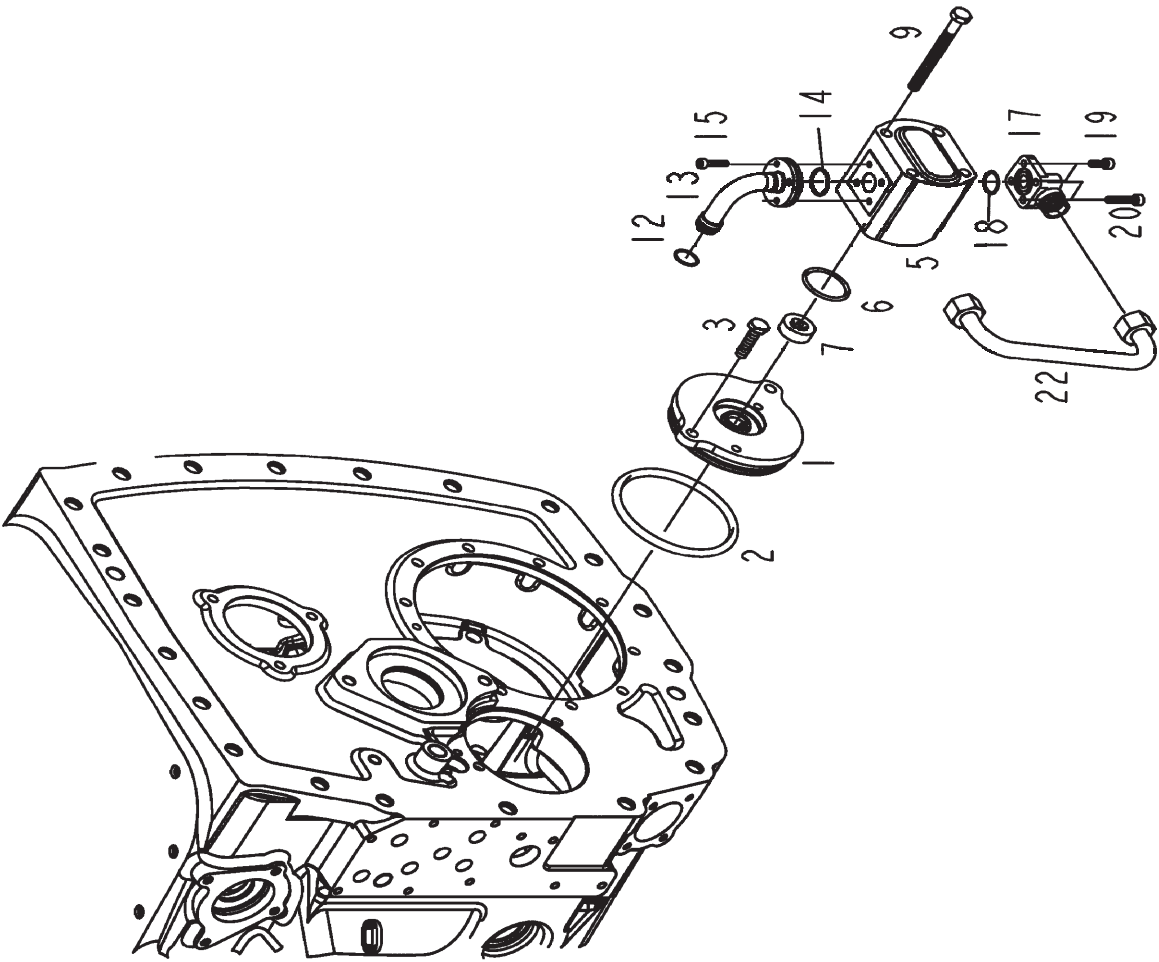
29

<p>TG9300B TERRAGATOR CHASSIS ENGINE, FUEL AND EXHAUST SYSTEM</p> <p>FAN GUARD GROUP</p> <p>562647D1-2-</p>	<p>Item</p> <p>6</p>	<p></p> <p>28 13 35</p>	<p></p> <p>1.00</p>	<p>Description</p> <p>FAN GUARD, LEFT HAND</p> <p>562647D1-2-</p>	<p>39</p>
					

Item	Description	49
<p>TG9300B TERRAGATOR CHASSIS ENGINE, FUEL AND EXHAUST SYSTEM</p> <p>FUEL LINES GROUP, STANDARD</p> <p>564610D1-2-AA345</p> 	<p>0.50 0.50</p> <p>22 07 42 22 20 54</p> <p>4 16</p> <p>INLINE STRAINER BULK FUEL HOSE</p> <p>564610D1-2-AA345-</p>	

Item	Description	59
<p>TG9300B TERRAGATOR CHASSIS FRAME AND SUSPENSION</p> <p>BOOM REST INSTALLATION, WIDE MOUNT</p> <p>128549-A</p> 	<p>BOOM BUMPER BOOM</p> <p>128549-A</p>	<p>1.50 0.25 0.50</p> <p>28 01 15 28 01 17 28 01 16</p>

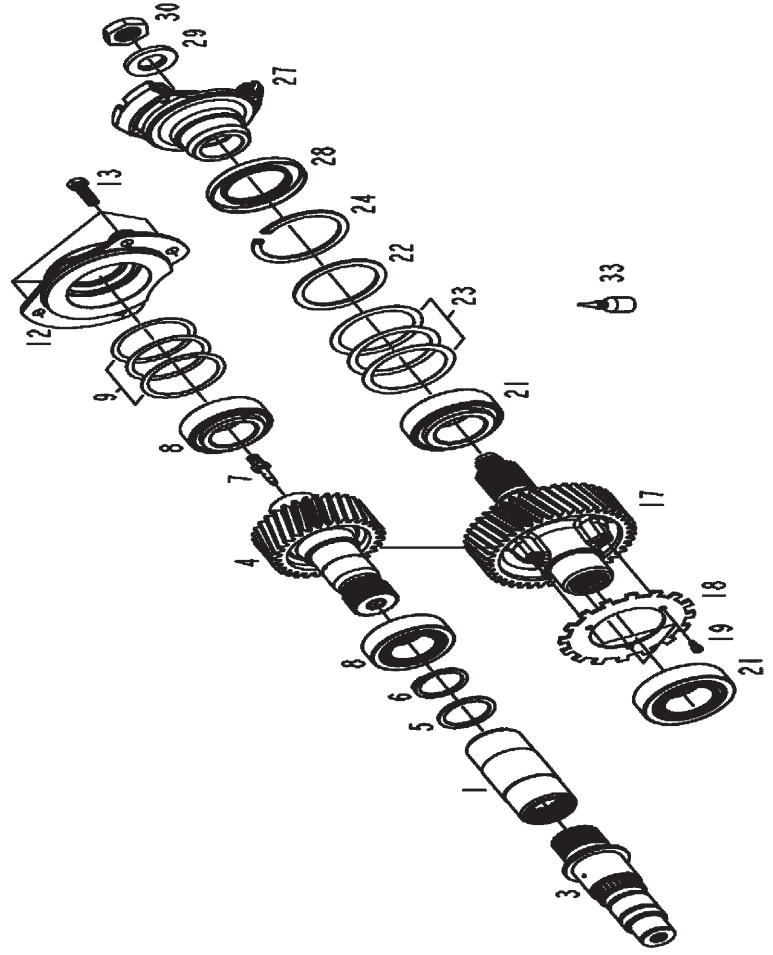
TG9300B TERRAGATOR CHASSIS STEERING SYSTEM	Item			Description	69
STEERING COLUMN ASSEMBLY 527599D1 	2 3 5	17 01 32 17 01 00 17 01 00	5.50 2.00 2.00	GAS STRUT KIT KIT, STEERING KIT, STEERING 527599D1	



TG9300B TERRAGATOR CHASSIS DRIVE TRAIN SYSTEM	Item			Description	79
GEAR PUMP 535746D1-01-V856 	1 2 5 13 22	21 26 61 21 26 62 22 01 03 21 26 63 21 26 65	5.00 5.00 4.50 0.50 1.00	CENTERING COVER O-RING GEAR PUMP NOZZLE PRESSURE LINE 535746D1-01-V856-	



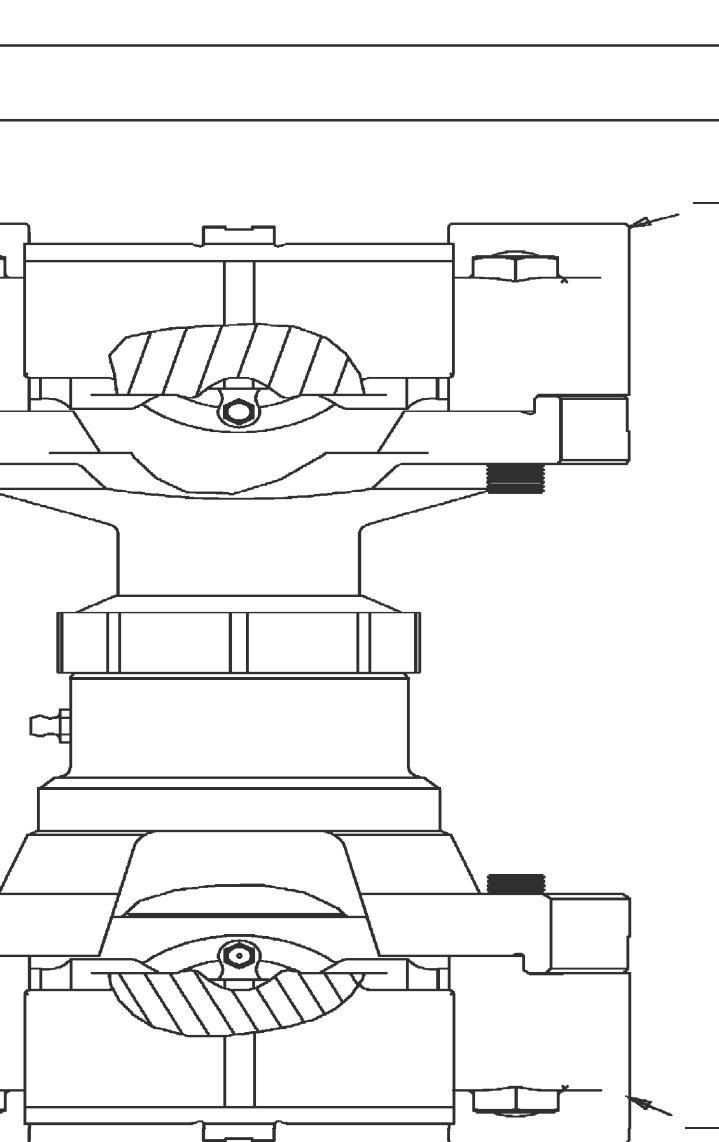
TG9300B TERRAGATOR CHASSIS
DRIVE TRAIN SYSTEM

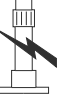

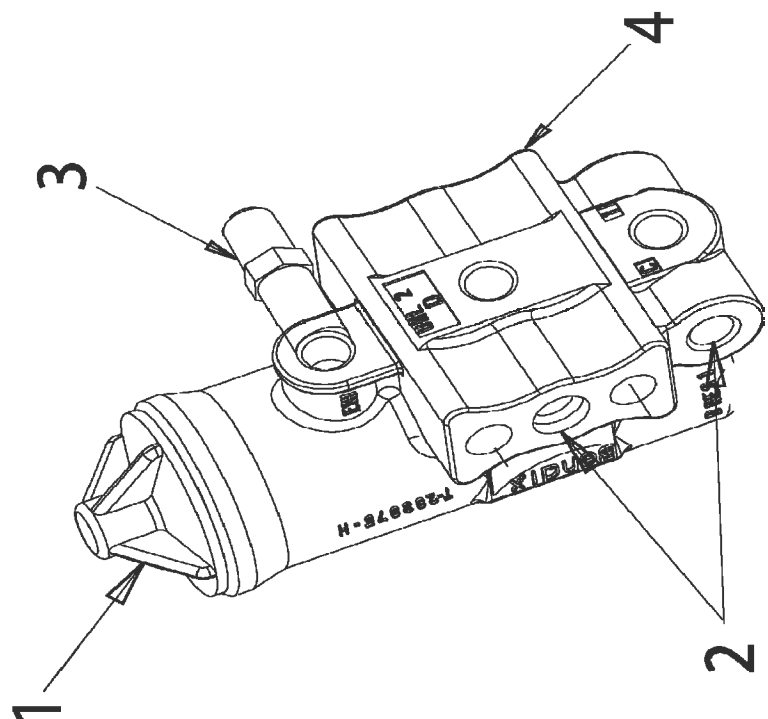
FRONT WHEEL DRIVE CONSTELLATION

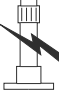

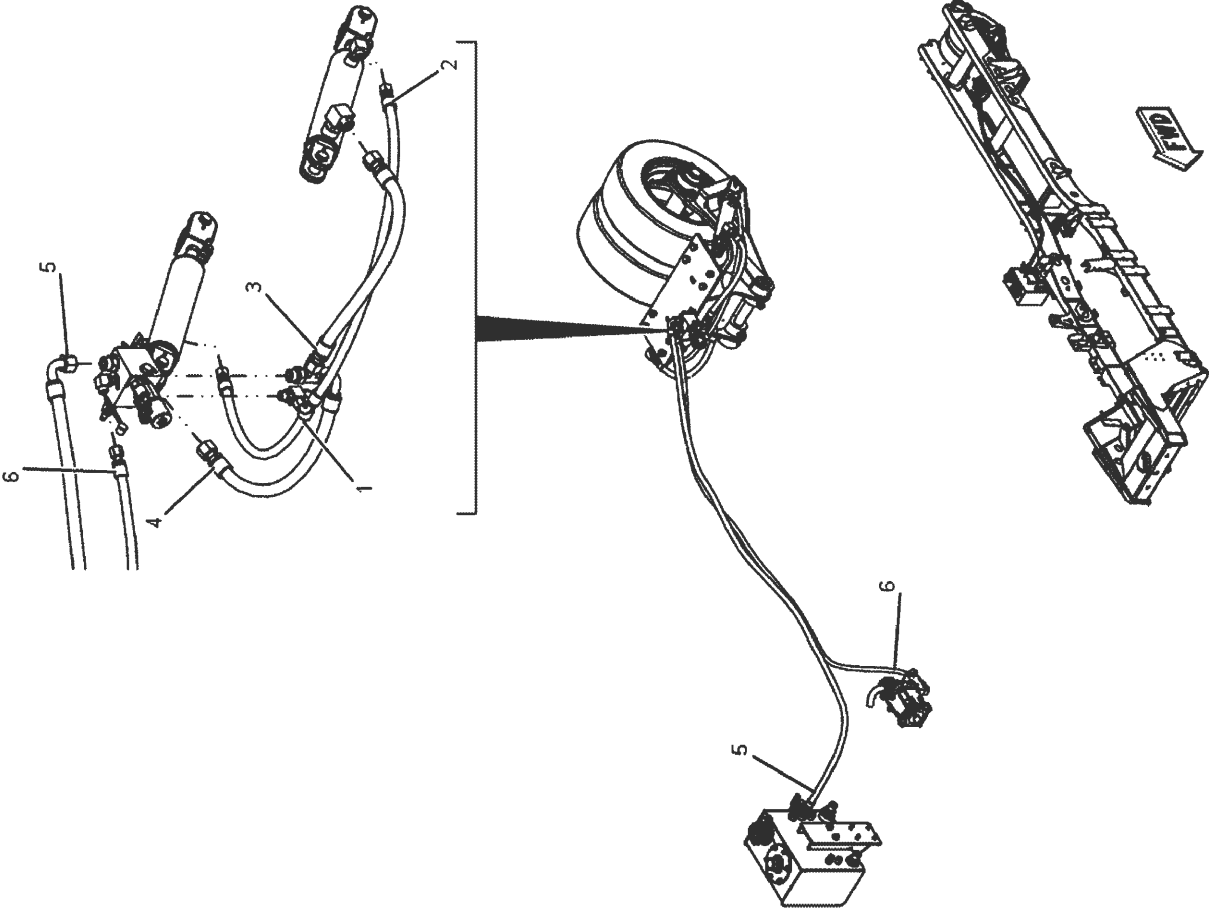
535760D1-2-Z133

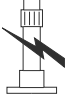

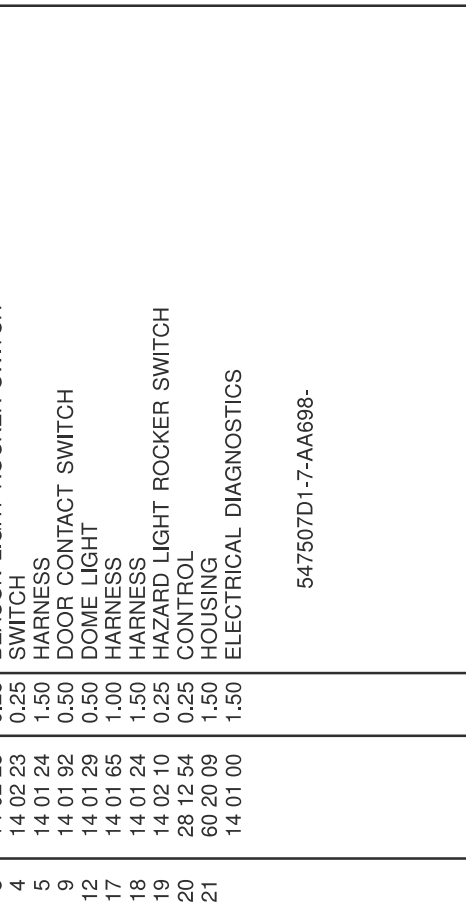

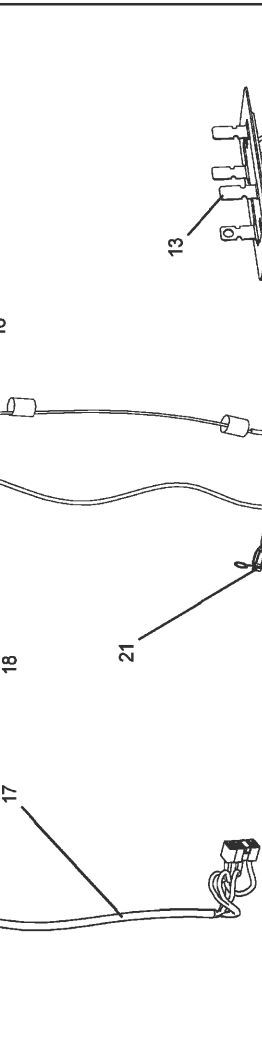


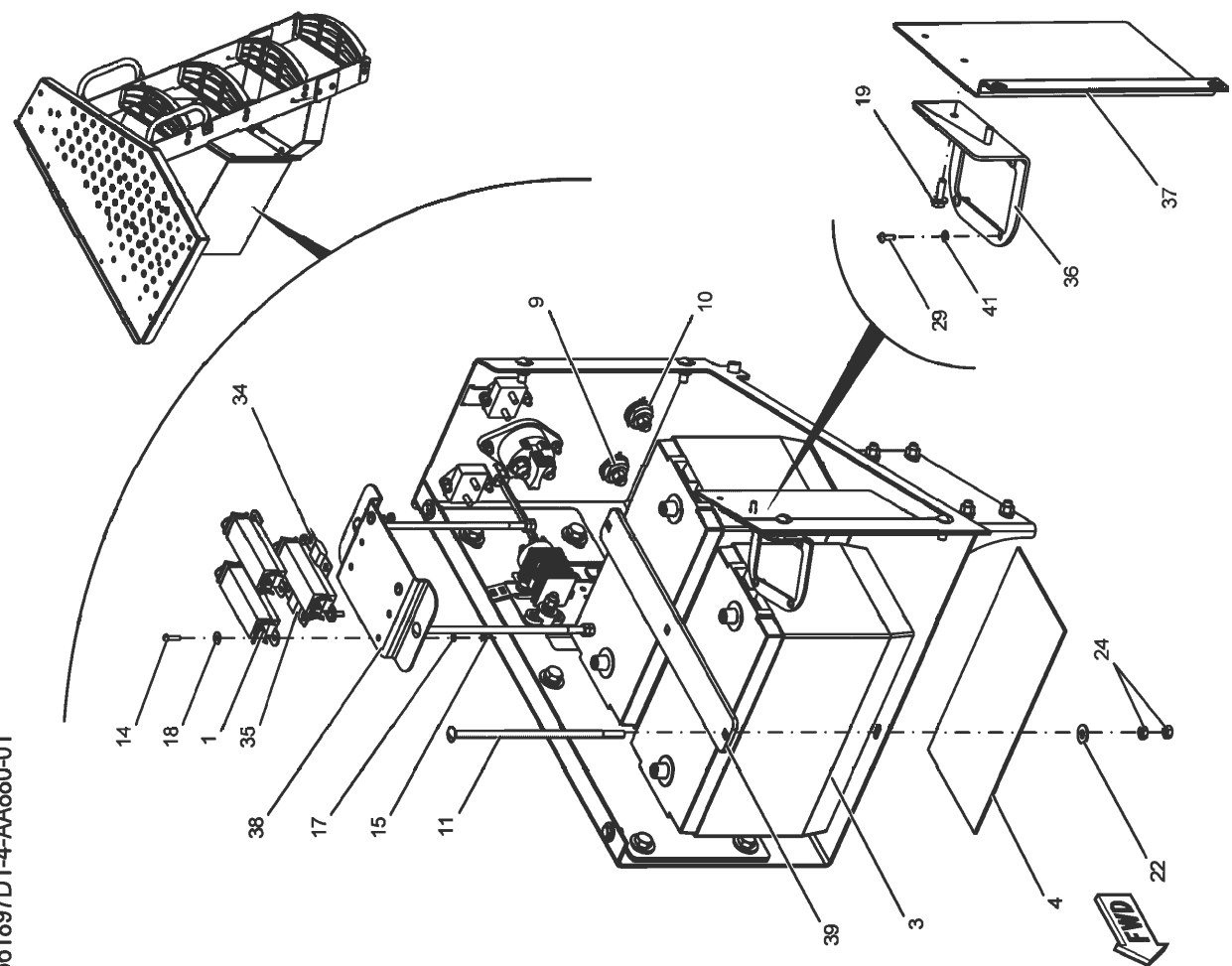
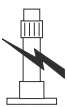

Item			Description	89
1	21 26 56	60.00	SOCKET	
3	22 01 05	60.00	SHAFT	
4	22 01 05	60.00	SPUR GEAR	
5	22 01 05	60.00	DISC	
6	21 26 58	60.00	LOCK WASHER	
7	21 26 57	60.00	NOZZLE	
8	21 26 57	60.00	TAPER ROLLER BEARING	
9	21 26 57	60.00	SHIMSET	
12	27 06 04	60.00	COVER	
17	27 06 04	60.00	SPUR GEAR	
18	27 06 04	60.00	RATCHED WHEEL	
21	21 26 51	60.00	TAPER ROLLER BEARING	
22	21 26 51	60.00	DISC	
23	21 26 51	60.00	SHIMSET	
24	27 06 57	31.70	CIRCLIP	
28	21 26 55	2.75	SHAFT SEAL	
29	27 06 56	2.00	DISC	
	19 26 78	0.00	POWERTRAIN HYDRAULIC FLUSH (A/R)	
			535760D1-2-Z133-	

<p>TG9300B TERRAGATOR CHASSIS DRIVE TRAIN SYSTEM</p> <p>DRIVELINE, 8.5C ENGINE TO TRANSMISSION, GREASEABLE</p> <p>555145D1-1-Y649</p>	<p>Item</p> <p>1</p>	<p></p> <p>25 18 15</p>	<p></p> <p>1.50</p>	<p>Description</p> <p>GREASABLE U-JOINT</p> <p>555145D1-1-Y649-</p>	<p>99</p>
					

<p>TG9300B TERRAGATOR CHASSIS AIR SYSTEM</p> <p>AIR GOVERNOR</p> <p>511005</p>	<p>Item</p> <p>1 4</p>	<p></p> <p>26 05 26 58 65 69</p>	<p></p> <p>0.50 0.50</p>	<p>Description</p> <p>AIR GOVERNOR GASKET</p> <p>511005</p>	<p>109</p>
					

TG9300B TERRAGATOR CHASSIS HYDRAULIC SYSTEM	Item			Description	119
<p data-bbox="233 1797 256 2043">HYDRAULIC HOSE KIT</p> <p data-bbox="328 1835 354 2049">565565D1-3-AA463-</p> 	<p data-bbox="256 947 399 963">1 2 3 4 5 6</p>	<p data-bbox="256 823 399 911">22 04 62 22 04 62 22 04 62 22 04 62 22 04 62 22 04 62</p>	<p data-bbox="256 751 399 798">1.00 1.00 1.00 1.00 1.00 1.00</p>	<p data-bbox="256 541 399 735">HYDRAULIC HOSE HYDRAULIC HOSE HYDRAULIC HOSE HYDRAULIC HOSE HYDRAULIC HOSE HYDRAULIC HOSE</p> <p data-bbox="448 462 470 663">565565D1-3-AA463-</p>	

Item	Description	129
		
<p>TG9300B TERRAGATOR CHASSIS ELECTRICAL SYSTEM</p> <p>ELECTRIC INNER ROOF ARRANGEMENT</p> <p>547507D1-7-AA698</p> 	<p>SWITCH BEACON LIGHT ROCKER SWITCH SWITCH HARNES DOOR CONTACT SWITCH DOOR CONTACT SWITCH DOME LIGHT HARNES HARNES HAZARD LIGHT ROCKER SWITCH HAZARD LIGHT ROCKER SWITCH CONTROL HOUSING ELECTRICAL DIAGNOSTICS</p> <p>547507D1-7-AA698-</p>	<p>0.25 0.25 0.25 1.50 0.50 0.50 1.00 1.50 0.25 0.25 1.50 1.50</p>
 <p>VIEW A-A</p>	 <p>DETAIL B</p>	<p>14 02 38 14 02 23 14 02 23 14 01 24 14 01 92 14 01 29 14 01 65 14 01 24 14 02 10 28 12 54 60 20 09 14 01 00</p>

Item	Description	139
<p>TG9300B TERRAGATOR CHASSIS ELECTRICAL SYSTEM</p> <p>BATTERY INSTALLATION, 7300/8300</p> <p>561897D1-4-AA880-01</p> 	<p>BATTERY DECAL BATTERY TERMINAL JUMPER BATTERY FUSE 150A FUSE ELECTRICAL DIAGNOSTICS</p> <p>561897D1-4-AA880-01</p>	<p>1.00 0.25 0.25 1.00 0.50 0.50 1.50</p>
	<p>14 01 13 28 02 21 14 16 05 14 01 13 14 02 06 14 02 06 14 01 00</p>	



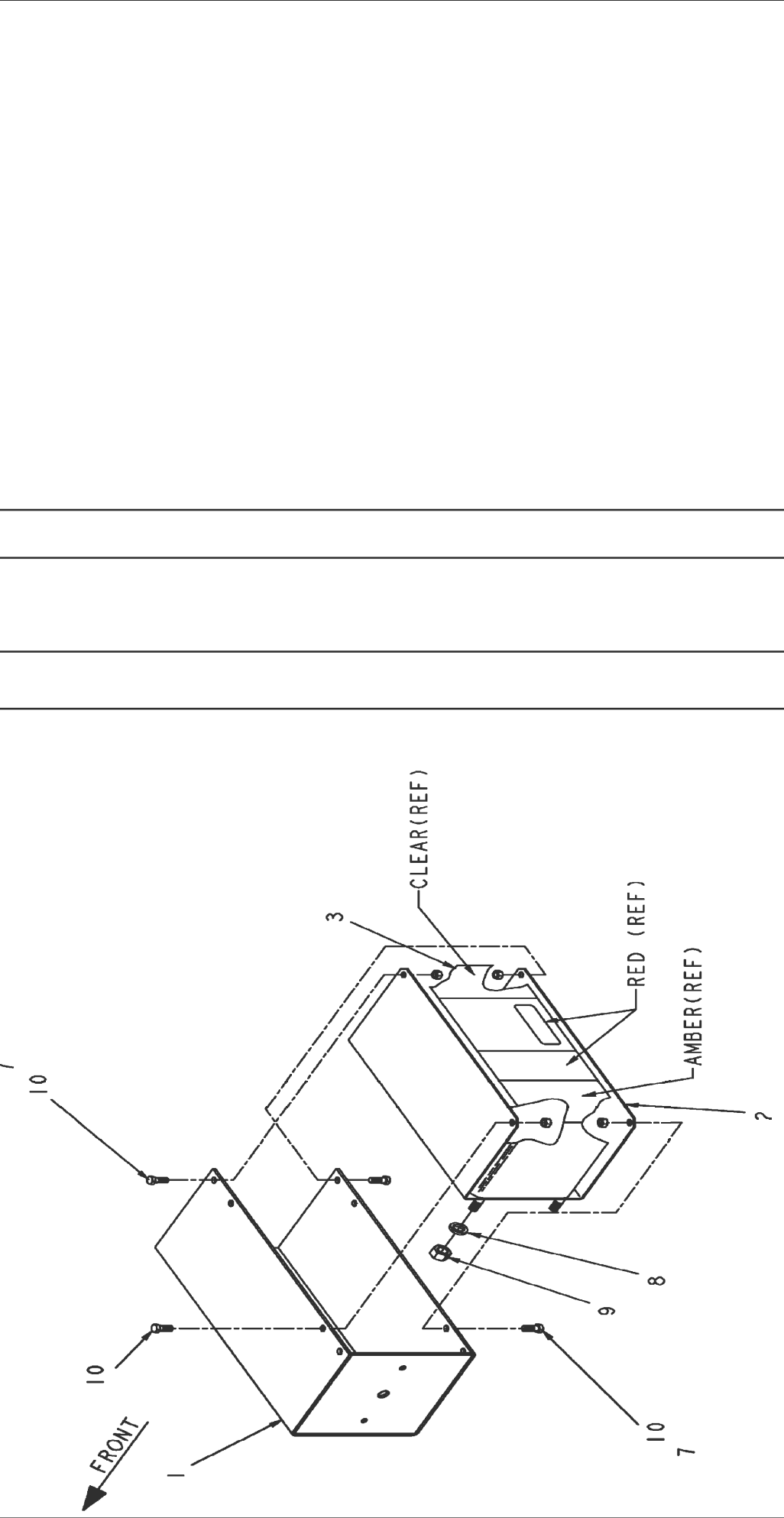
CLICK HERE TO **DOWNLOAD** THE COMPLETE MANUAL

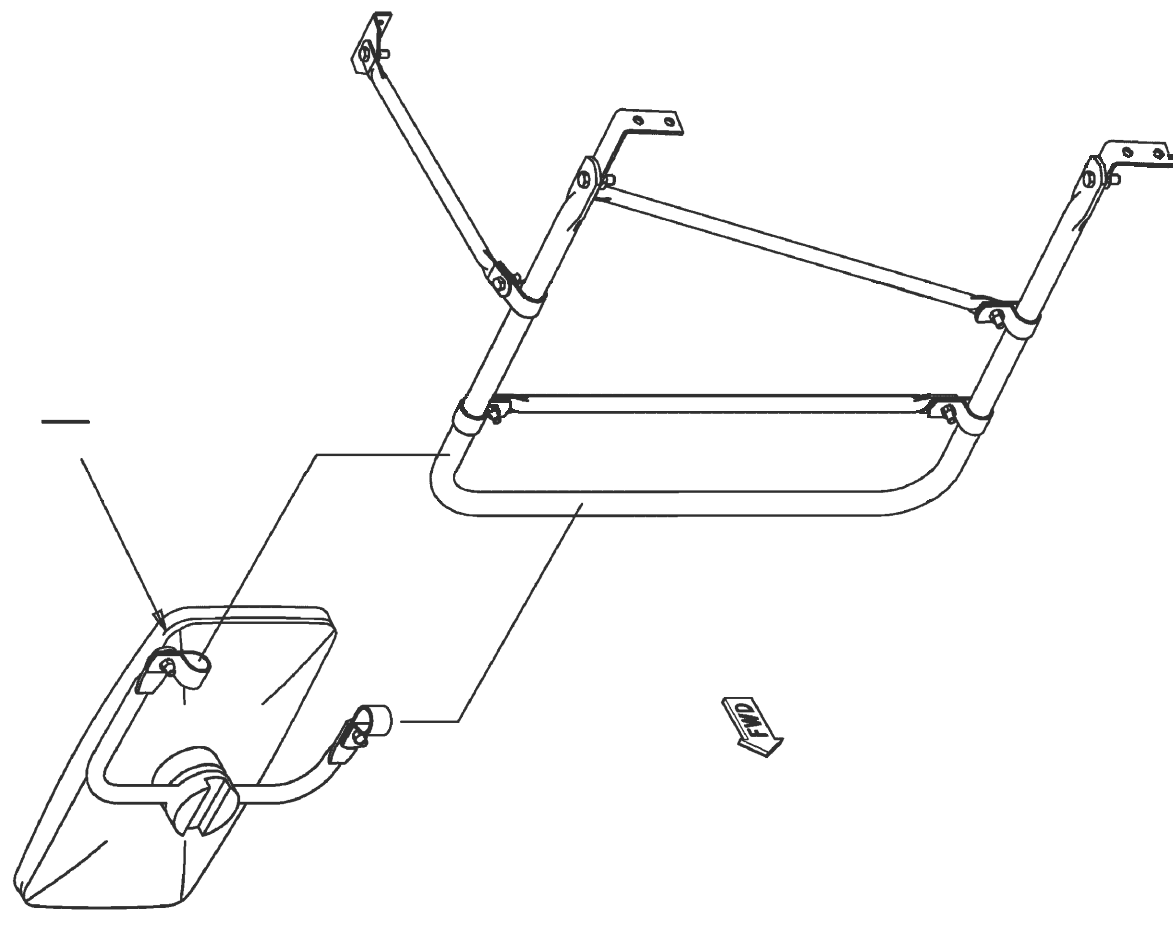
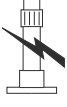

- Thank you very much for reading the preview of the manual.
- You can download the complete manual from: www.heydownloads.com by clicking the link below

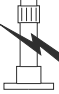

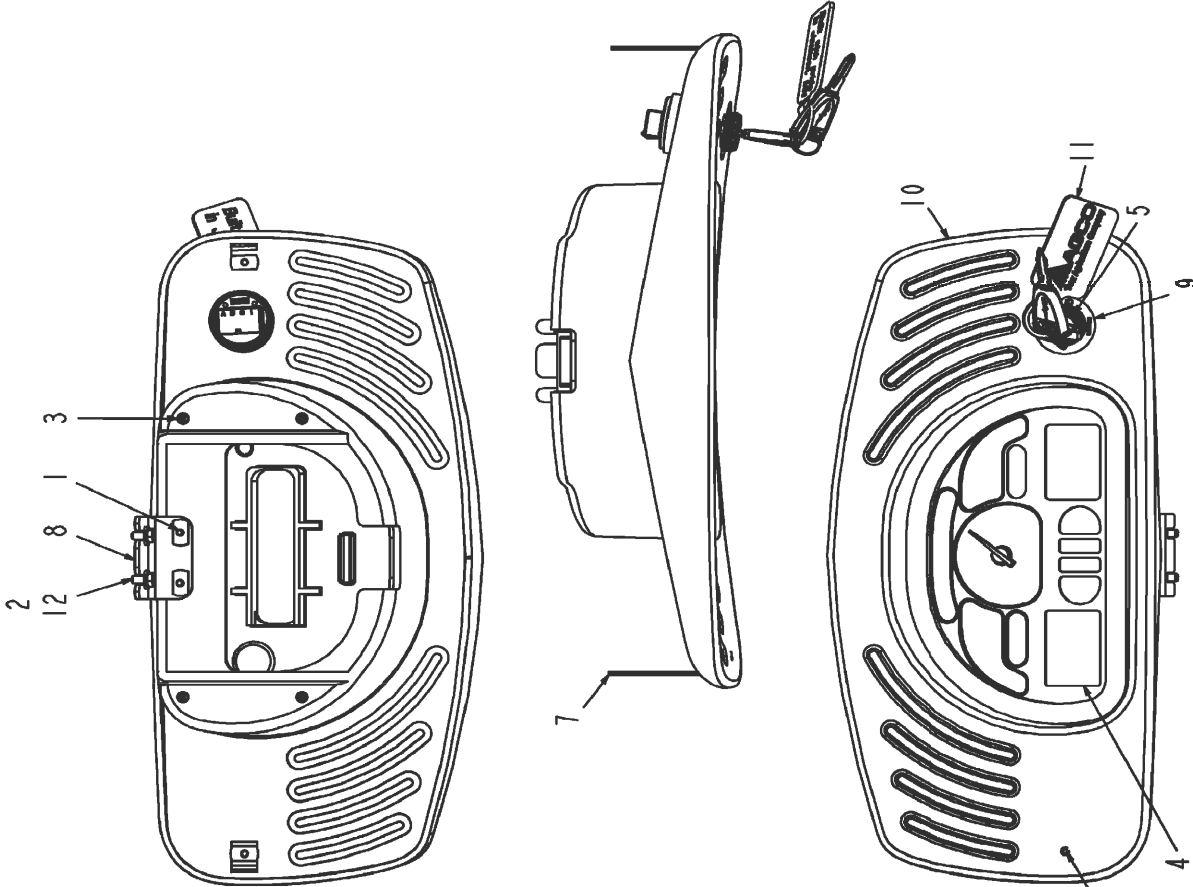




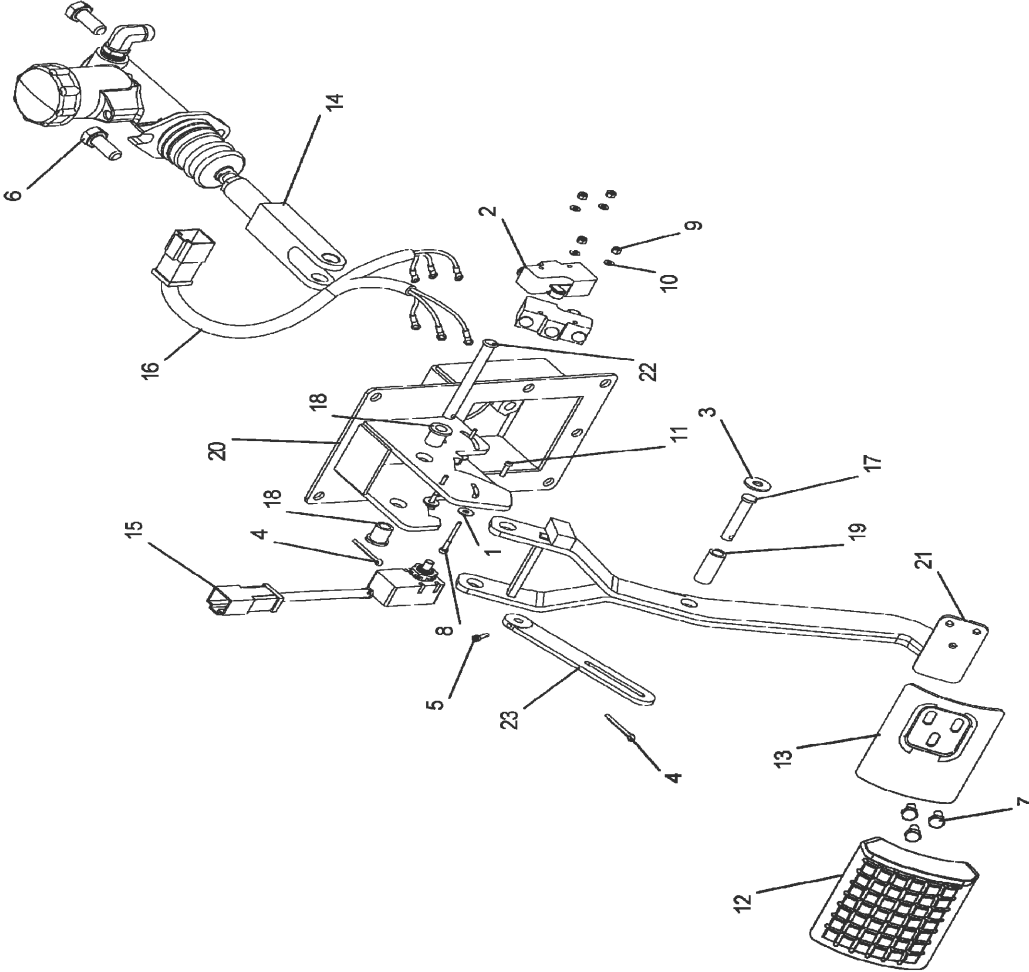
- Please note: If there is no response to CLICKING the link, please download this PDF first and then click on it.

CLICK HERE TO **DOWNLOAD** THE COMPLETE MANUAL

Item	Description	149
<p>1 2 3</p>	<p>TG9300B TERRAGATOR CHASSIS ELECTRICAL SYSTEM</p> <p>LAMP CLUSTER ASSEMBLY, LEFT HAND, REAR</p> <p>225424-06-M751</p>	<p>SUPPORT BRACKET LAMP CLUSTER, LEFT HAND</p> <p>225424-06-M751-</p>
	<p>0.50 1.00 0.50</p>	
	<p>28 05 94 14 02 44 14 00 37</p>	
		

<p>TG9300B TERRAGATOR CHASSIS CAB</p> <p>MIRROR EXTENSION INSTALLATION</p> <p>532102D1-01-V240-</p> 	<p>Item</p> <p>1</p>	<p> 28 05 18</p>	<p> 0.25</p>	<p>Description</p> <p>EXTENSION</p> <p>532102D1-01-V240-</p>	<p>159</p>
--	-----------------------------	---	---	---	------------

TG9300B TERRAGATOR CHASSIS CAB	Item			Description	169
<p>DASH INSTALLATION, CENTER CONSOLE</p> <p>538538D1-3-Z131</p> 	<p>4 5 7 8 9 10</p>	<p>14 16 71 14 02 01 14 16 72 14 16 72 28 02 21 14 02 00</p>	<p>0.50 0.50 0.50 0.50 0.25 0.75</p>	<p>INSTRUMENT PANEL IGNITION SWITCH BRACKET BRACKET DECAL, IGNITION SWITCH PANEL</p> <p>538538D1-3-Z131-</p>	

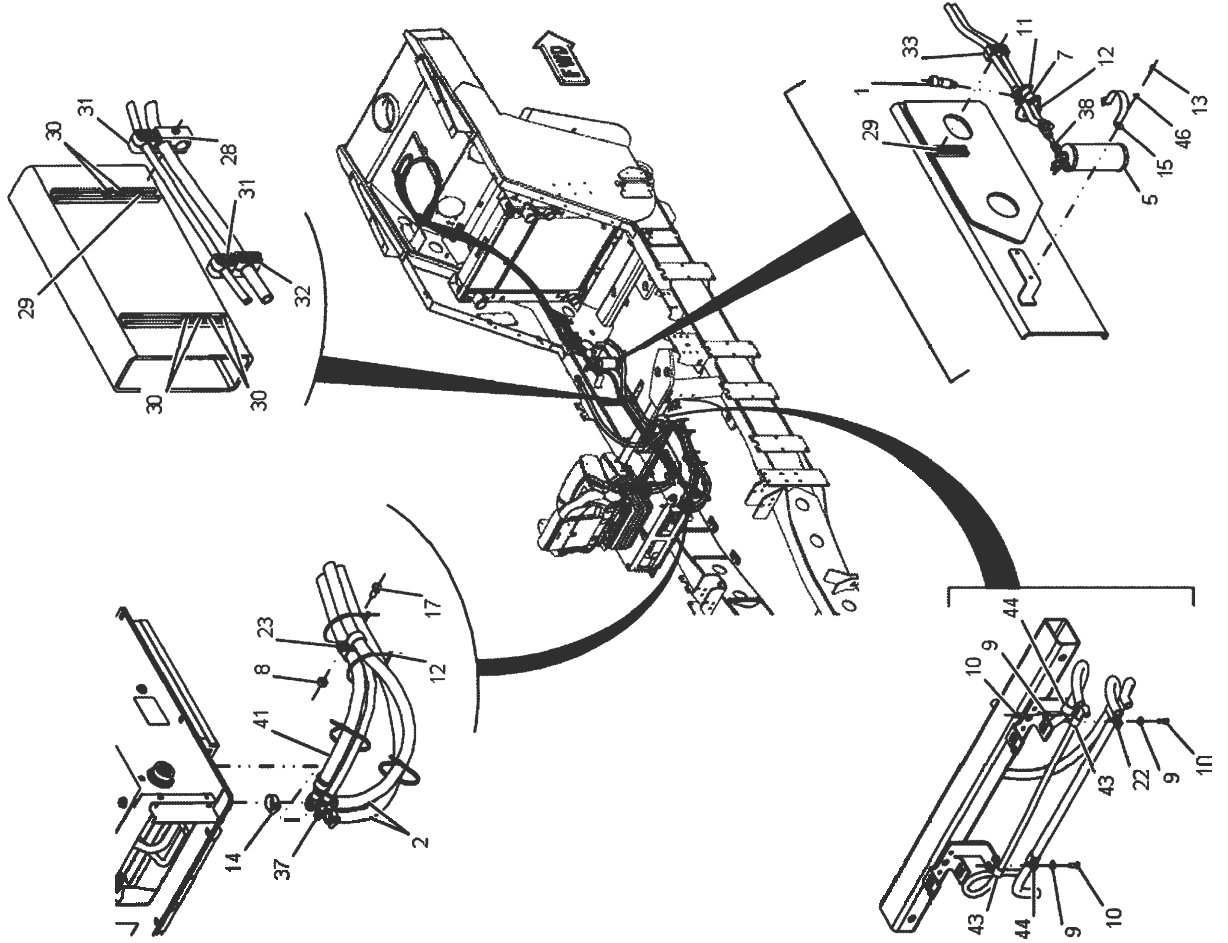
Item	Description	179
<p>TG9300B TERRAGATOR CHASSIS CAB</p> <p>CLUTCH PEDAL ASSEMBLY</p> <p>532414D3-4-Y305</p>	<p>SWITCH</p> <p>SENSOR</p> <p>HARNES</p> <p>CLEVIS PIN</p> <p>BUSH</p> <p>BUSH</p> <p>CLEVIS PIN</p> <p>532414D3-4-Y305-</p>	<p>0.50</p> <p>0.50</p> <p>2.00</p> <p>3.00</p> <p>3.00</p> <p>3.00</p> <p>3.00</p>
	<p>14 03 06</p> <p>14 03 06</p> <p>28 15 04</p> <p>26 06 01</p> <p>21 01 24</p> <p>21 01 24</p> <p>26 06 01</p>	
		

TG9300B TERRAGATOR CHASSIS CAB	Item	Description	189
	<p>CAB SUSPENSION, NON ADJUSTABLE</p> <p>531305D1-02-V730</p>	<p>AIR SPRING SHOCK ABSORBER CONTROL VALVE BUMPER HEIGHT CONTROL VALVE BRACKET ROD</p> <p>531305D1-02-V730-</p>	<p>1.00 0.50 0.50 1.00 0.50 2.50 3.00 1.00</p> <p>28 12 43 28 12 42 28 15 01 28 12 46 28 12 35 28 12 40 28 12 48 28 12 47</p>

**TG9300B TERRAGATOR CHASSIS
AIR CONDITIONING AND HEATING SYSTEM**

AIR CONDITIONER INSTALLATION

558703D1-3-AA907-02



14 01 31
15 02 25
15 01 11
14 01 31
14 01 31
14 01 31




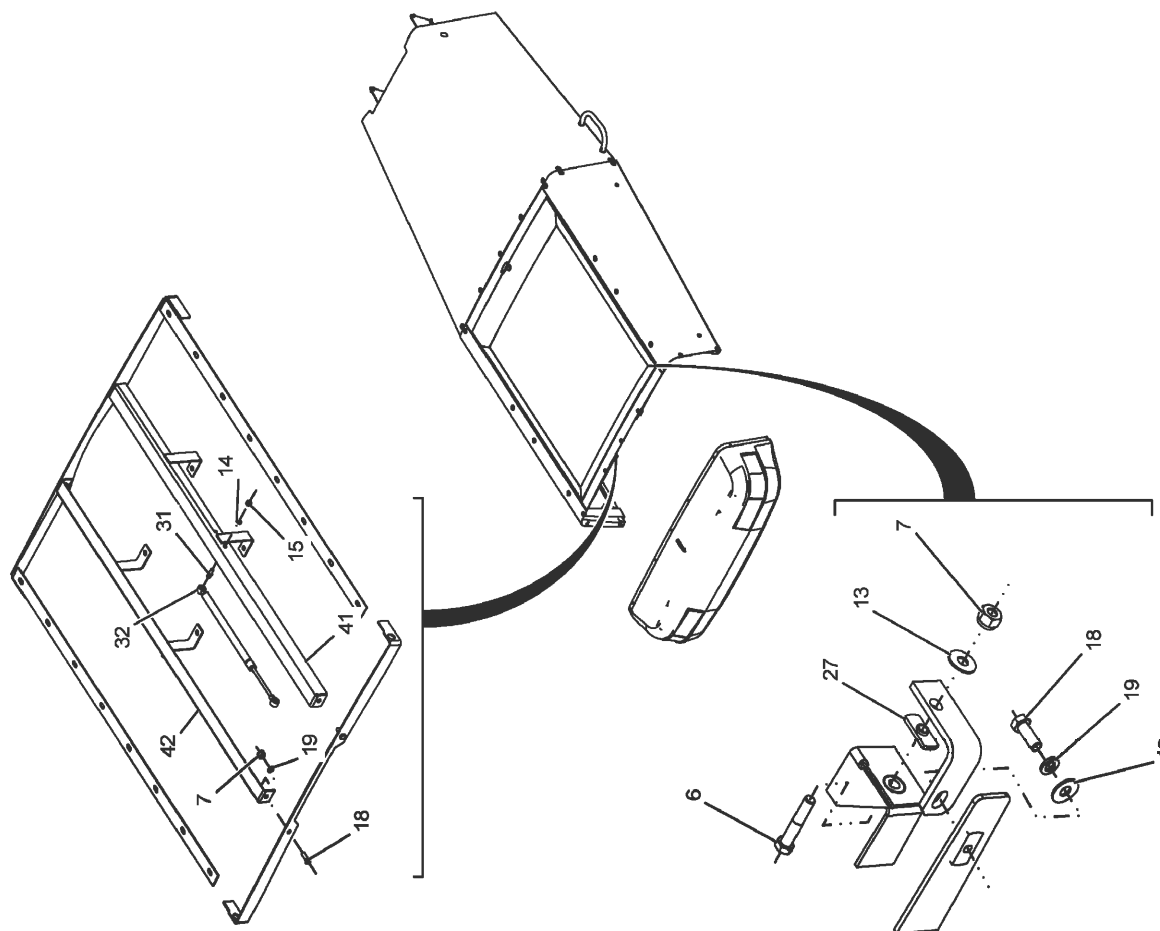


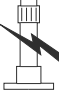

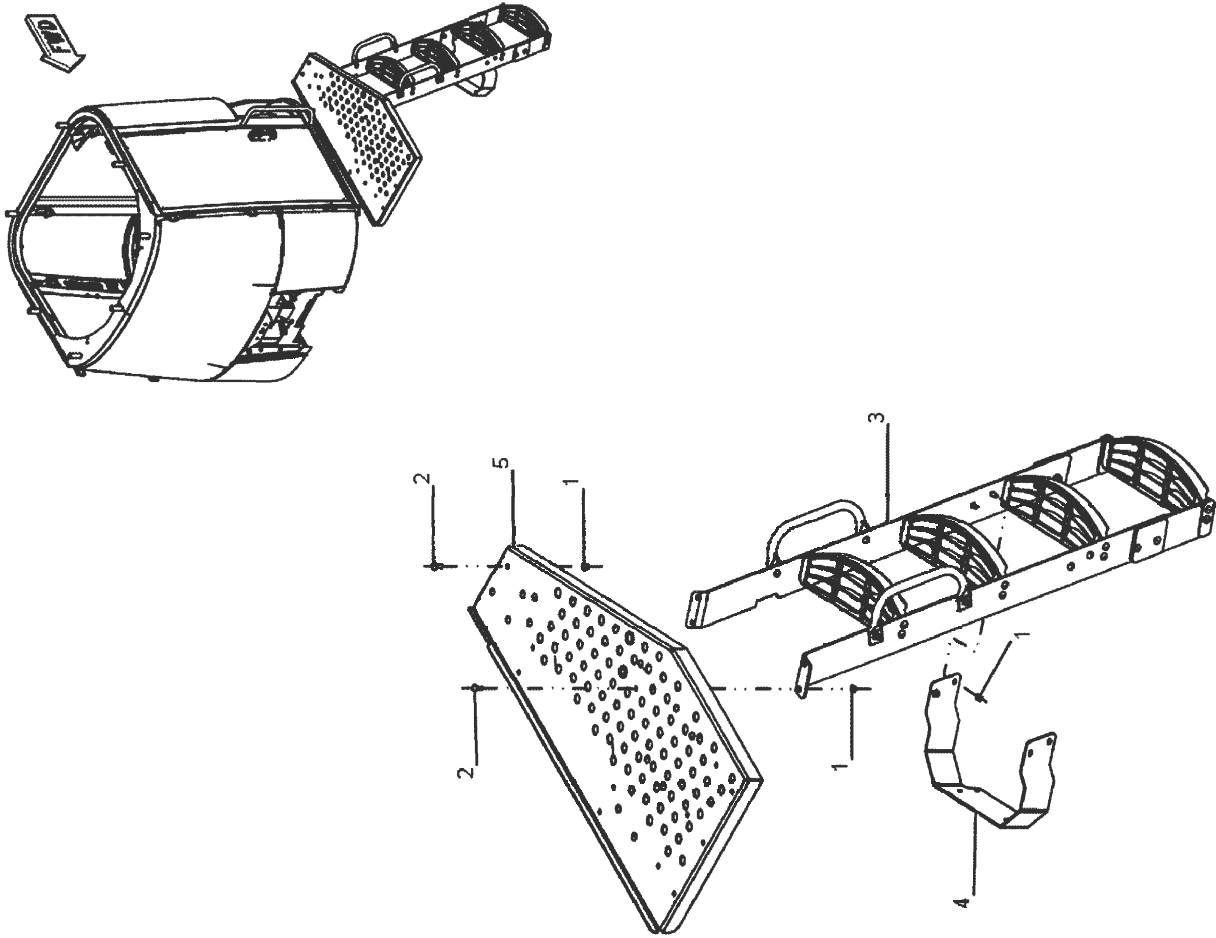
0.25
0.50
0.50
0.25
0.25
0.25

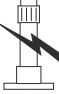

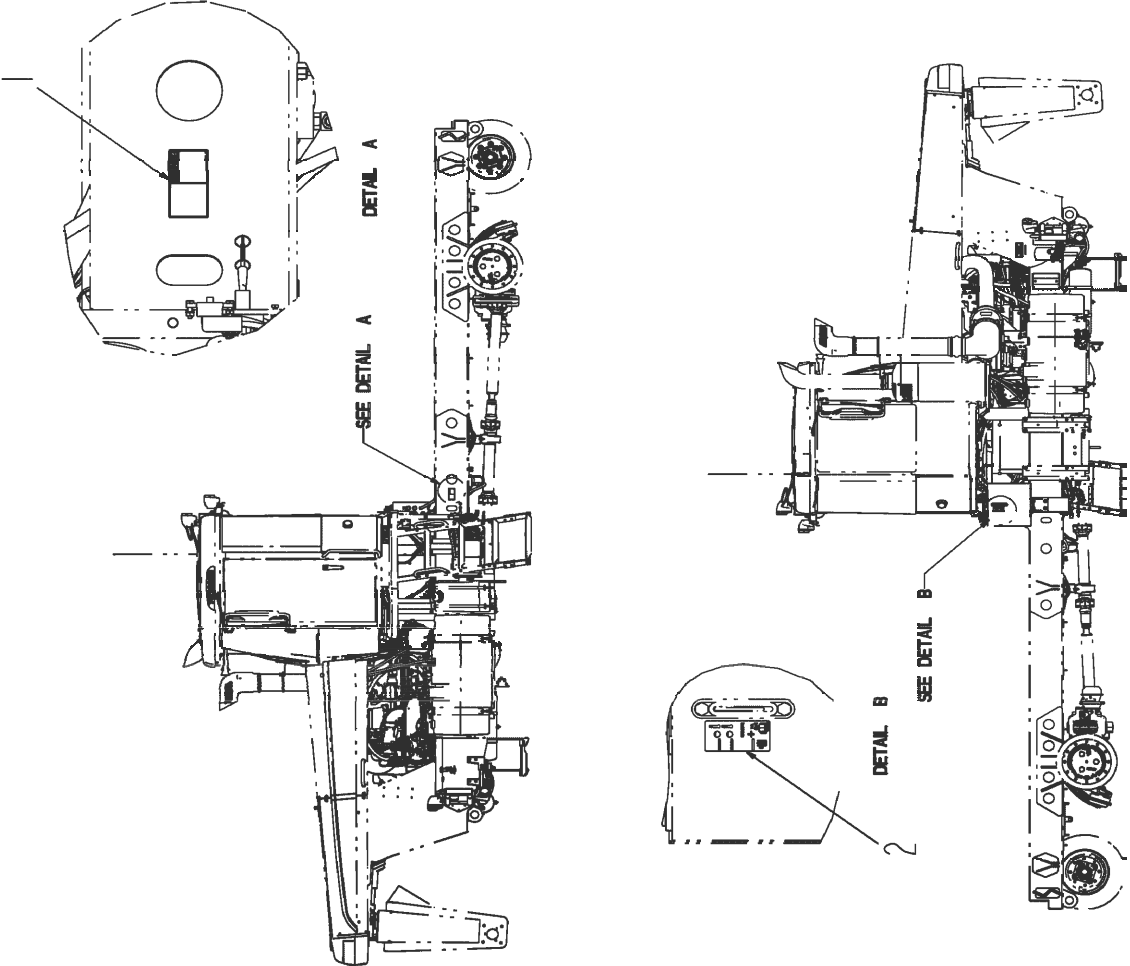
Description



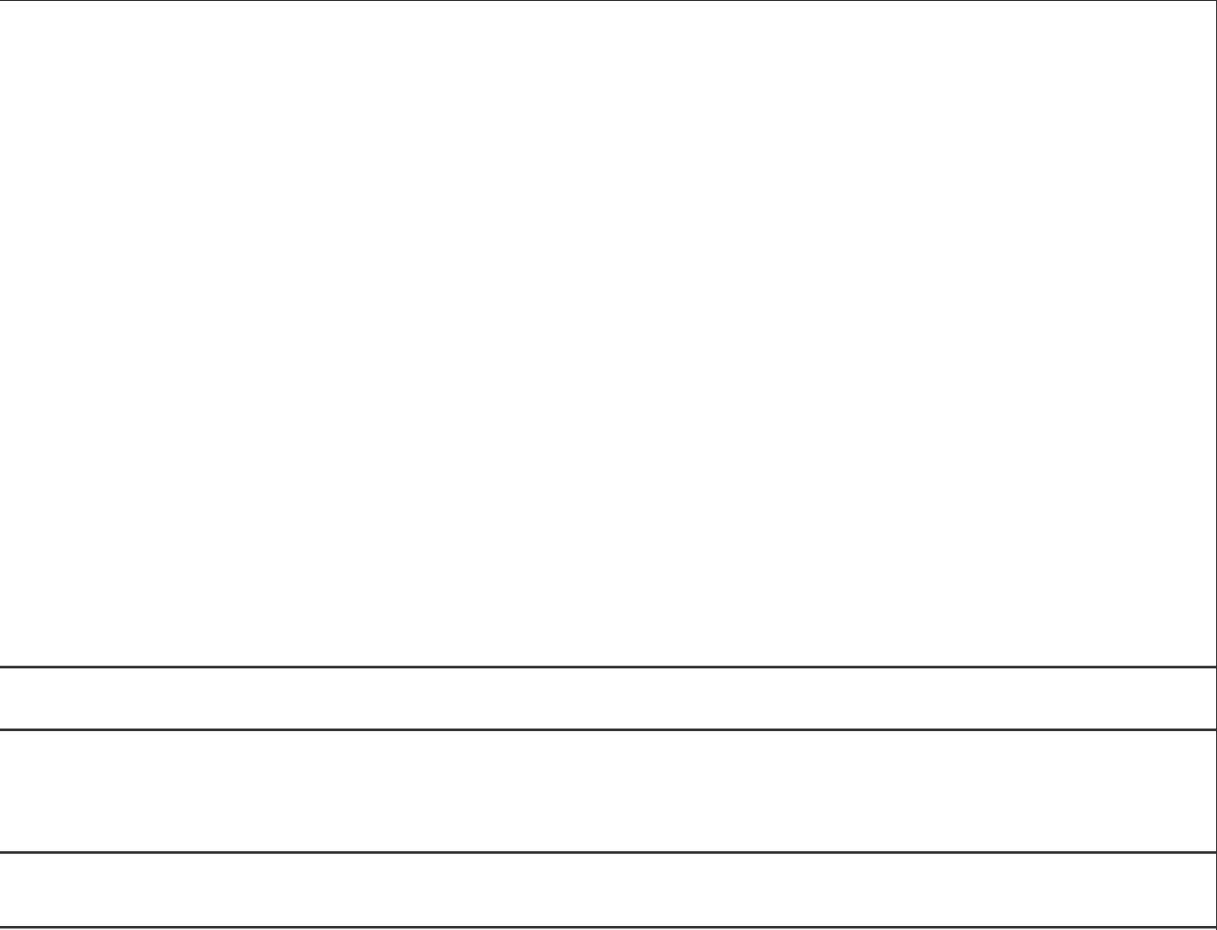
AIR CONDITIONING HIGH PRESSURE SWITCH
REINFORCED HOSE
RECEIVER
AIR CONDITIONING HOSE
AIR CONDITIONING HOSE
AIR CONDITIONING HOSE



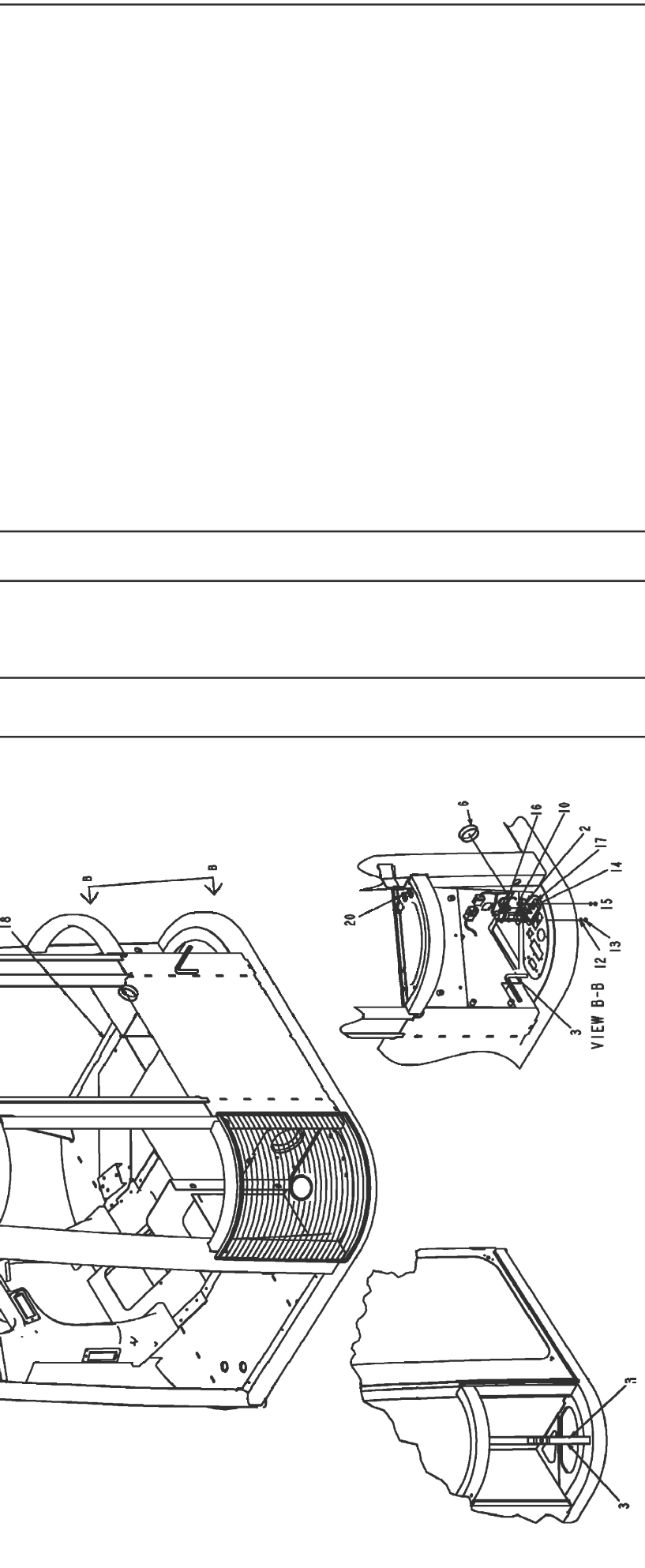
558703D1-3-AA907-02

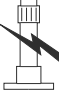

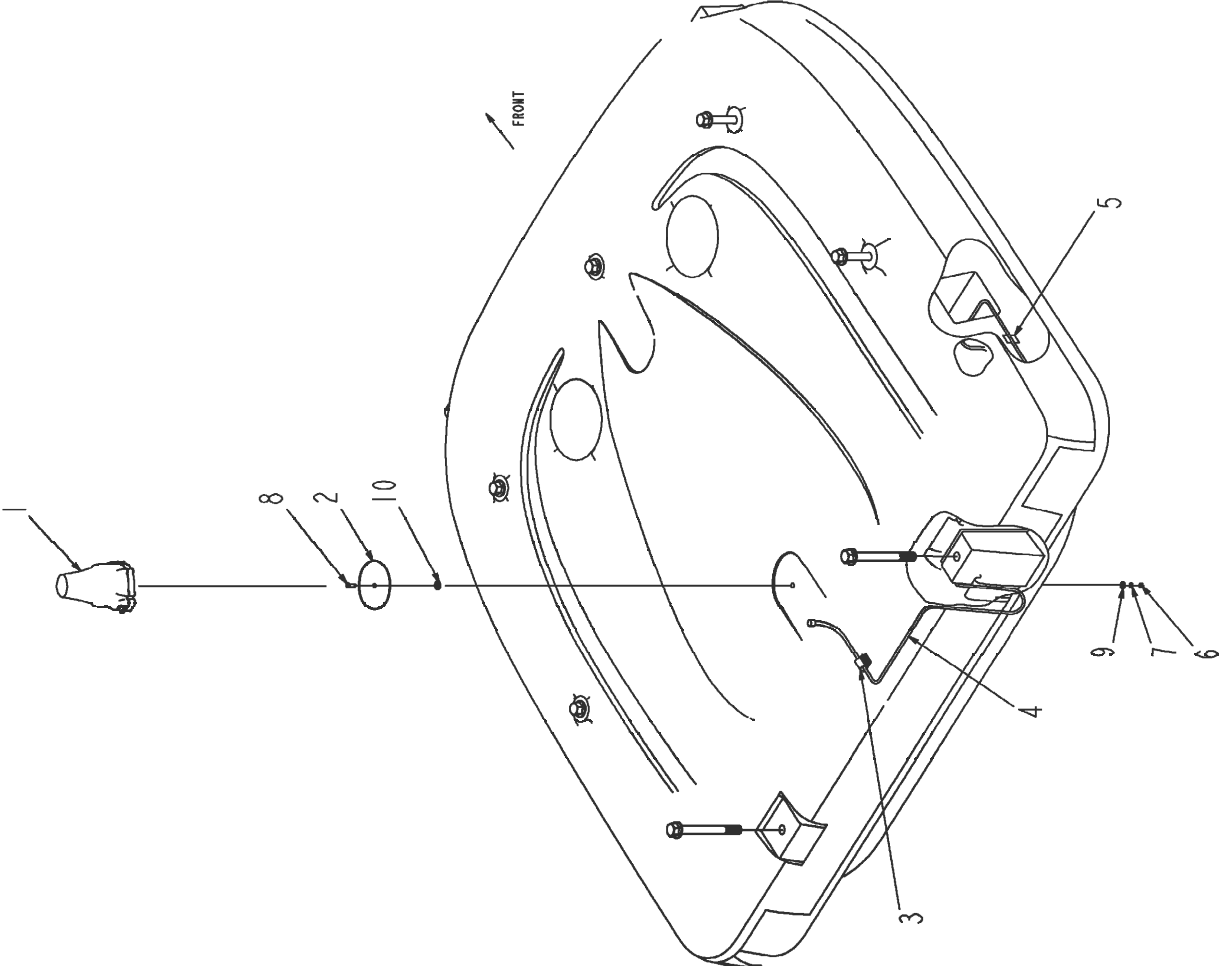
Item	Description	209
		
31 32	BALL STUD GAS SPRING 562469D1-3-AA462-03	0.50 0.50
<p>TG9300B TERRAGATOR CHASSIS</p> <p>ENGINE HOOD INSTALLATION</p> <p>562469D1-3-AA462-03</p> 		

TG9300B TERRAGATOR CHASSIS CHASSIS	Item			Description	219
<p data-bbox="233 1633 256 2041">CAB ENTRANCE STEP INSTALLATION</p> <p data-bbox="328 1831 354 2041">567700D1-3-AA495-</p> 	<p data-bbox="256 940 279 970">4</p> <p data-bbox="285 940 308 970">5</p>	<p data-bbox="256 823 279 852">28 04 18</p> <p data-bbox="285 823 308 852">28 04 07</p>	<p data-bbox="256 751 279 781">0.50</p> <p data-bbox="285 751 308 781">0.50</p>	<p data-bbox="256 529 305 739">LADDER SUPPORT STEP</p> <p data-bbox="354 466 376 667">567700D1-3-AA495-</p>	

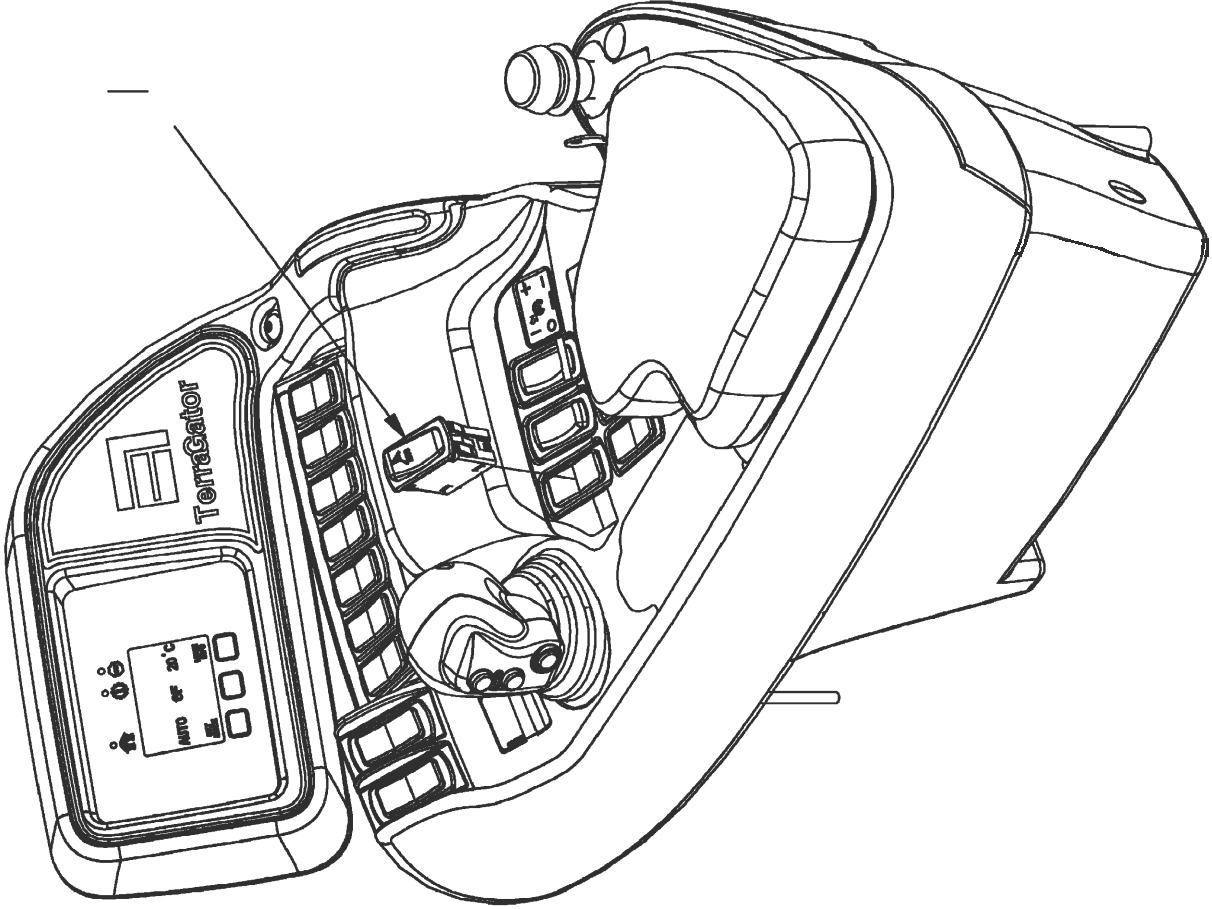
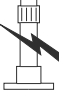

TG9300B TERRAGATOR CHASSIS DECALS	Item	 28 02 21 28 02 21	 0.25 0.25	Description WARNING DECAL, FLUID UNDER PRESSURE DECAL, HYDRAULIC OIL 566362D1-4-01	229
<p data-bbox="233 1654 256 2041">DECAL INSTALLATION, HYDRAULIC</p> <p data-bbox="328 1890 354 2049">566362D1-4-01</p> 	1 2				

Item	Description	239				
1 2	TG9300B TERRAGATOR CHASSIS DECALS DECAL INSTALLATION 564022D1-4-AB070-01	EMBLEM, CHALLENGER FILM 564022D1-4-AB070-01	0.50 1.00	28 00 47 28 02 20		

<p>TG9300B TERRAGATOR CHASSIS CONTROLLER SYSTEM</p> <p>CONTROLLER INSTALLATION, RAVEN 4000</p> <p>136295-8-W933</p>	<p>Item</p> <p>4 19</p>	<p></p> <p>60 35 02 60 35 28 60 30 00</p>	<p></p> <p>1.00 0.50 1.00</p>	<p>Description</p> <p>HARNES CONSOLE Reprogramming</p> <p>136295-8-W933-</p>	<p>249</p>
					

TG9300B TERRAGATOR CHASSIS GUIDANCE SYSTEM	Item			Description	259
<p data-bbox="233 1654 282 2041">ANTENNA INSTALLATION, GROUPS, PHOENIX 300</p> <p data-bbox="328 1860 350 2049">515146D1-03-W759</p> 	<p data-bbox="256 947 302 968">1 4</p>	<p data-bbox="256 823 328 911">60 31 44 60 31 92 60 30 00</p>	<p data-bbox="256 751 328 798">0.50 0.75 1.00</p>	<p data-bbox="256 554 328 735">GPS ANTENNA ANTENNA CABLE Reprogramming</p> <p data-bbox="376 457 399 663">515146D1-03-W759-</p>	

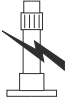
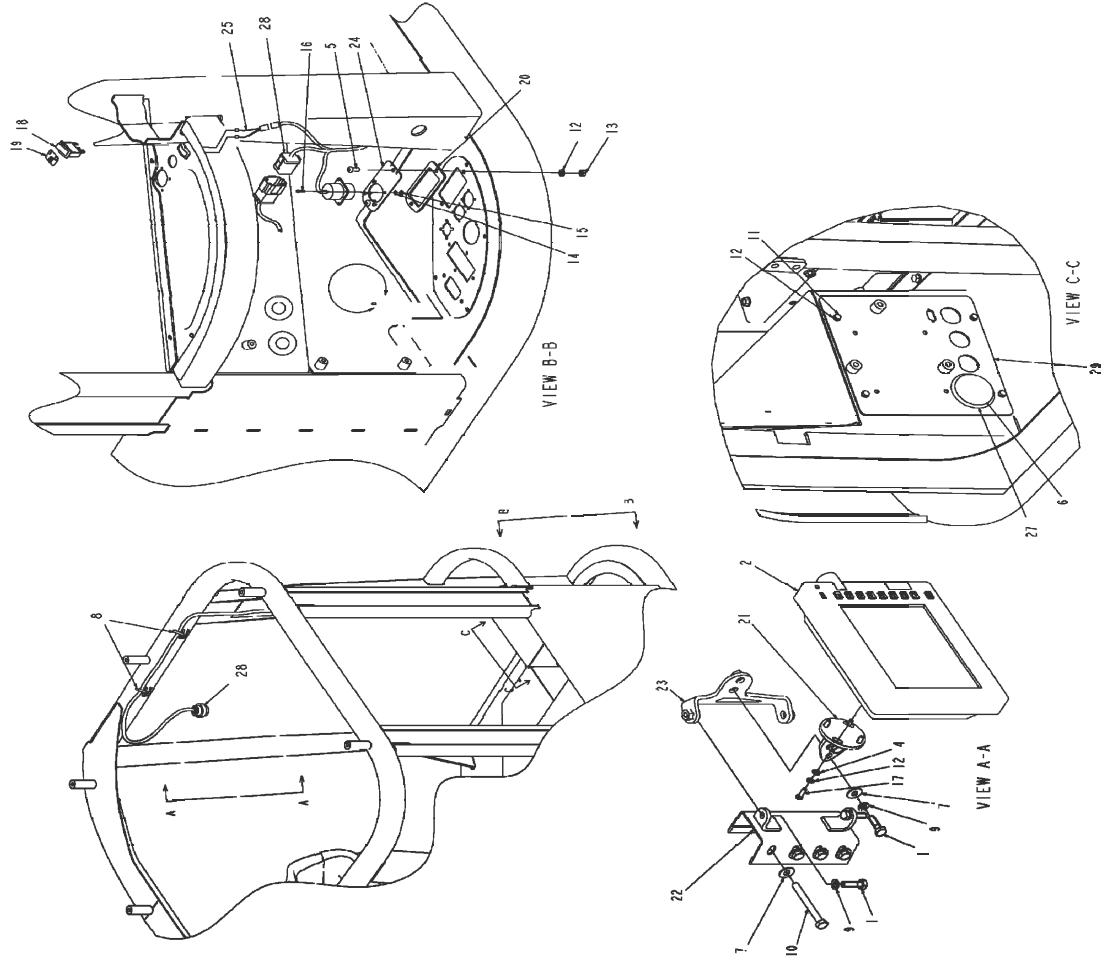
<p>TG9300B TERRAGATOR CHASSIS GUIDANCE SYSTEM</p> <p>WHEEL ANGLE SENSOR INSTALLATION</p> <p>532812D1-3-AA447</p>	<p>Item</p> <p>5 7</p>			<p>60 35 24 60 35 25 60 30 00</p>		<p>Description</p> <p>CONNECTING ROD ROTARY POSITION SENSOR Reprogramming</p> <p>532812D1-3-AA447-</p>	<p>269</p>
--	-----------------------------------	--	--	---	--	---	------------

<p>TG9300B TERRAGATOR CHASSIS GUIDANCE SYSTEM</p> <p>SWITCH INSTALLATION, ENABLE, SMARTRAX</p> <p>524908D1-02-W176</p> 	<p>Item</p> <p>1</p>	<p></p> <p>60 60 52</p>	<p></p> <p>0.25</p>	<p>Description</p> <p>AUTOGUIDE CONTROL SWITCH</p> <p>524908D1-02-W176-</p>	<p>279</p>
--	-----------------------------	--	--	--	------------

**TG9300B TERRAGATOR CHASSIS
GUIDANCE SYSTEM**

CONSOLE INSTALLATION,
GLOBAL TECHNOLOGIES BY AGCO, (GTA)

568417D1-3-AA447-01



60 35 15
60 60 52
28 02 20
60 31 92
60 31 50
60 30 00



0.50
0.25
1.00
0.75
1.00
1.00

Description

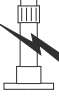

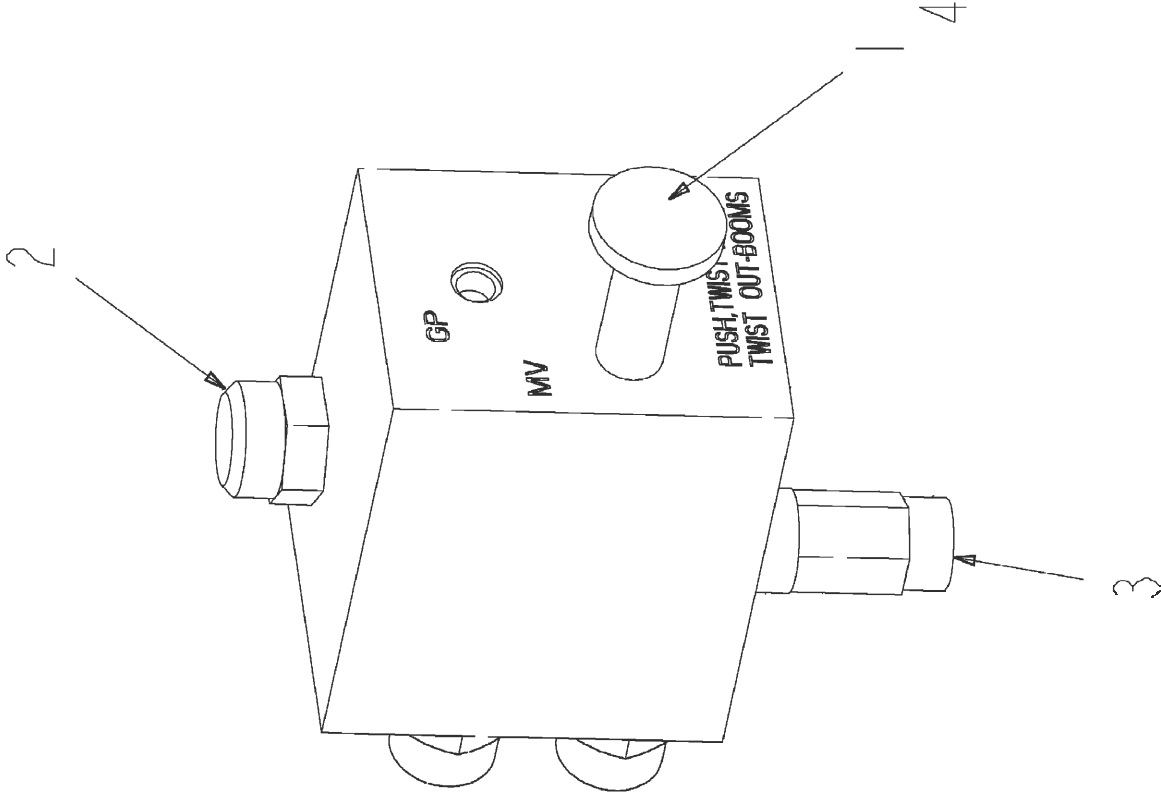
TERMINAL
ROCKER SWITCH
DECAL
ADAPTER WIRE HARNESS
CONSOLE HARNESS
Reprogramming

568417D1-3-AA447-01

289

Item

2
18
19
25
28

<p>TG9300B TERRAGATOR CHASSIS ATTACHMENTS</p>	<p>Item</p>			<p>Description</p>	<p>299</p>
<p>HYDRAULIC BLOCK, PRESSURE WASHER</p> <p>421074-B</p> 	<p>1 3</p>	<p>34 04 16 21 26 48</p>	<p>1.50 0.50</p>	<p>PRESSURE VALVE RELIEF VALVE</p> <p>421074-B</p>	

CLICK HERE TO **DOWNLOAD** THE COMPLETE MANUAL

- Thank you very much for reading the preview of the manual.
- You can download the complete manual from: www.heydownloads.com by clicking the link below



- Please note: If there is no response to CLICKING the link, please download this PDF first and then click on it.

CLICK HERE TO **DOWNLOAD** THE COMPLETE MANUAL