

**AGCO®**  
**RG700 Rogator Liquid System**  
**REPAIR TIME SCHEDULE**  
**Form Number 567545D1A**

**Contents**

<b>Section</b>	<b>Description</b>
01	Attachments
02	Booms
03	Controller System
04	Decals
05	Electrical System
06	Foam Maker
07	Hydraulic System
08	Primary Product Distribution
09	Product Containment
10	Secondary Product Distribution



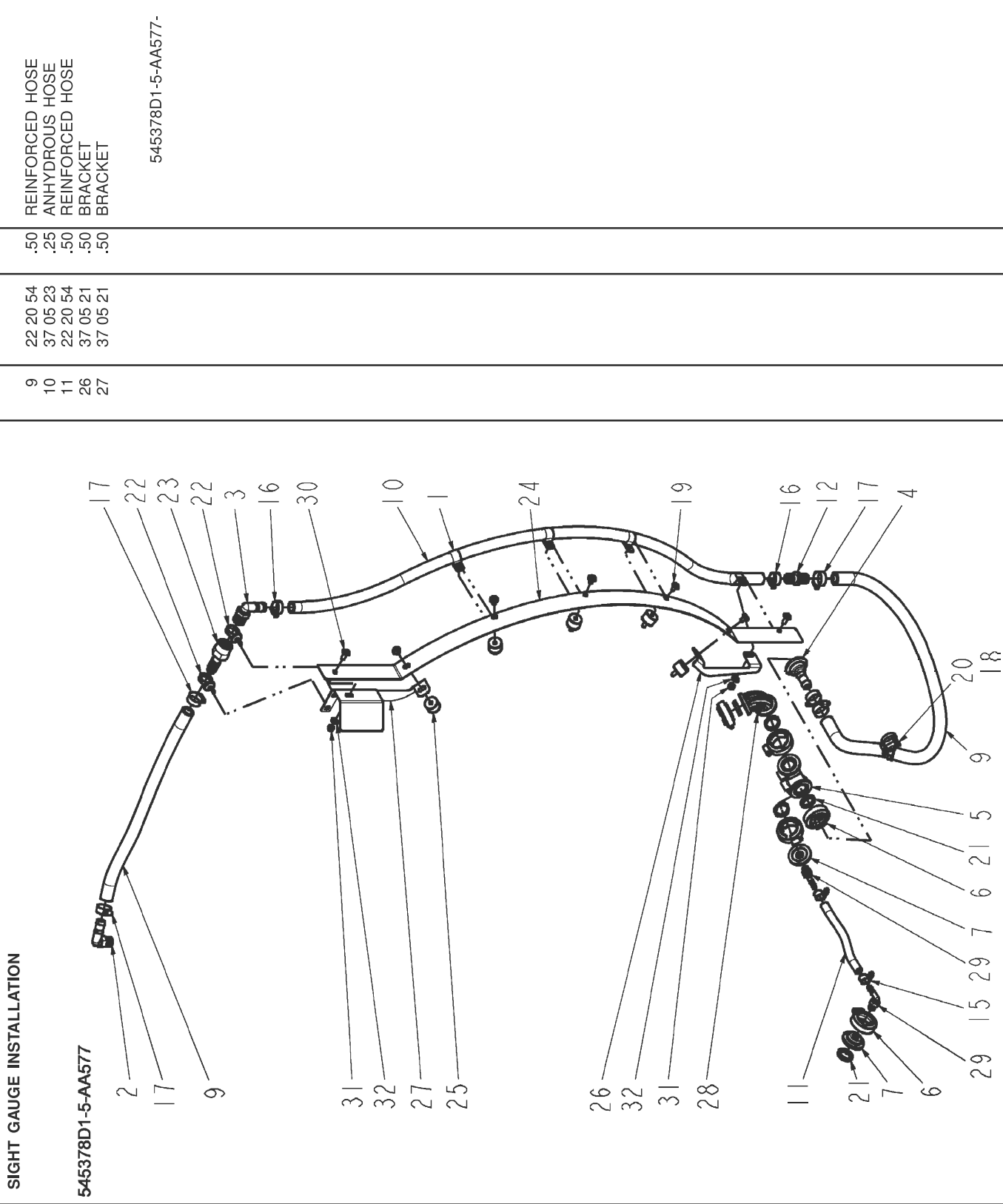
CLICK HERE TO **DOWNLOAD** THE COMPLETE MANUAL









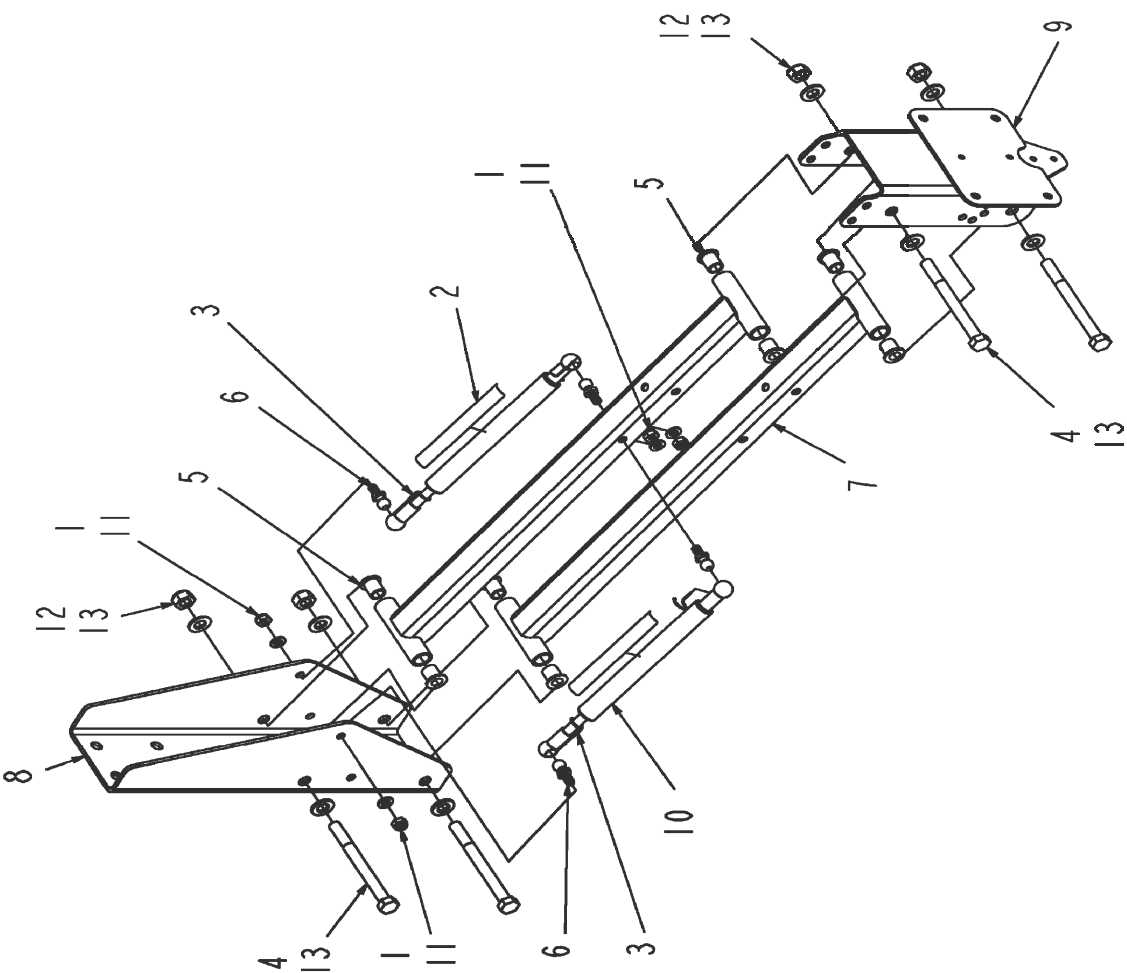
- Thank you very much for reading the preview of the manual.
- You can download the complete manual from: [www.heydownloads.com](http://www.heydownloads.com) by clicking the link below



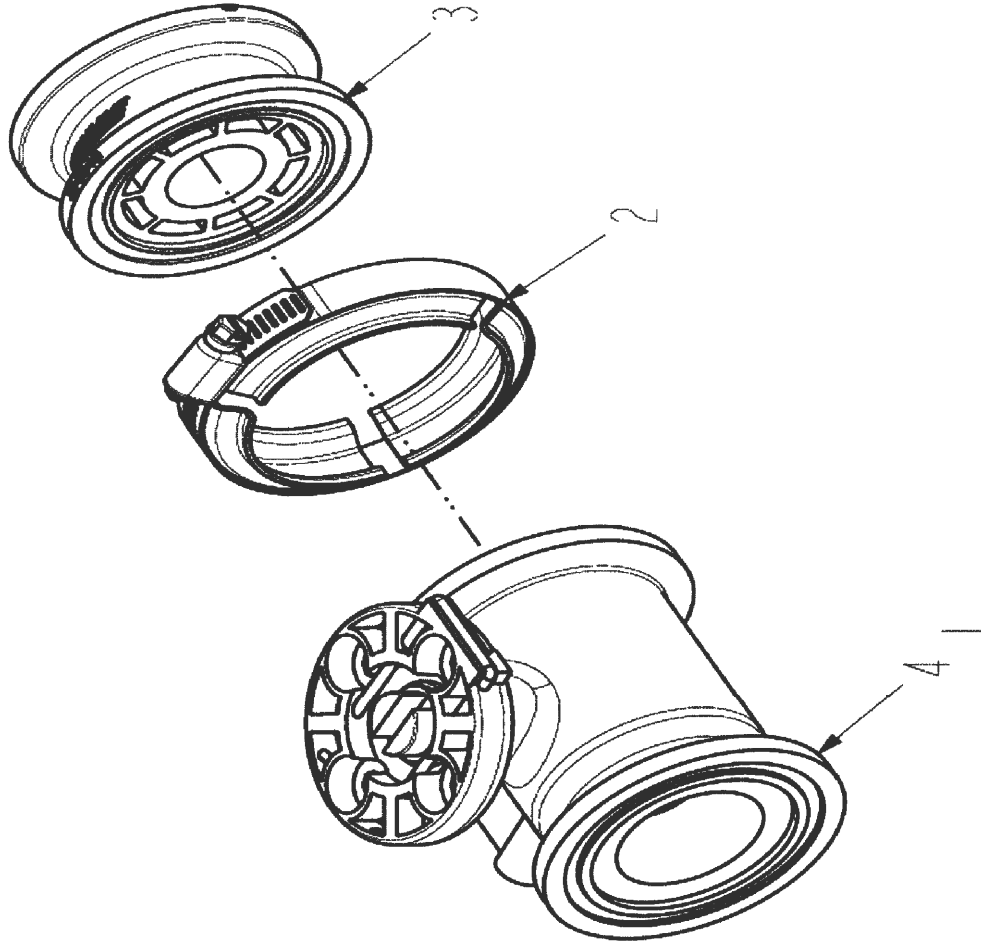


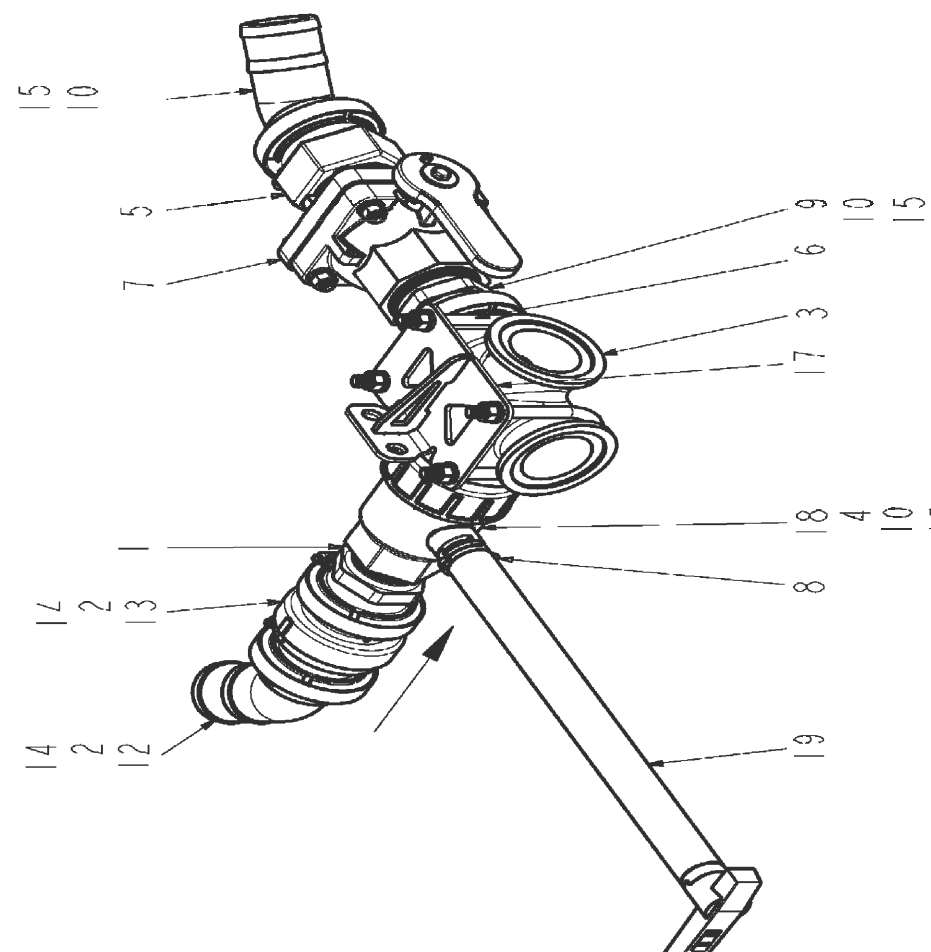

- Please note: If there is no response to CLICKING the link, please download this PDF first and then click on it.



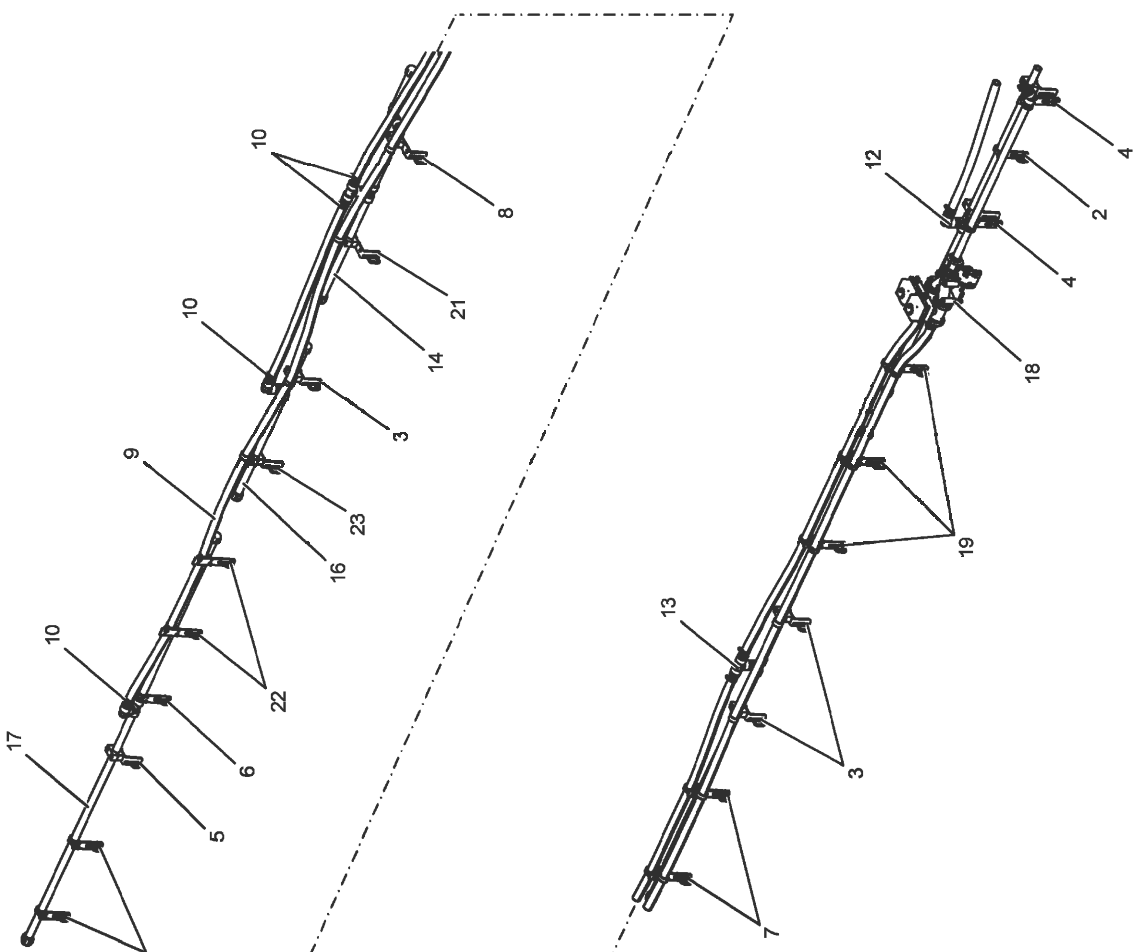
CLICK HERE TO **DOWNLOAD** THE COMPLETE MANUAL

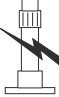

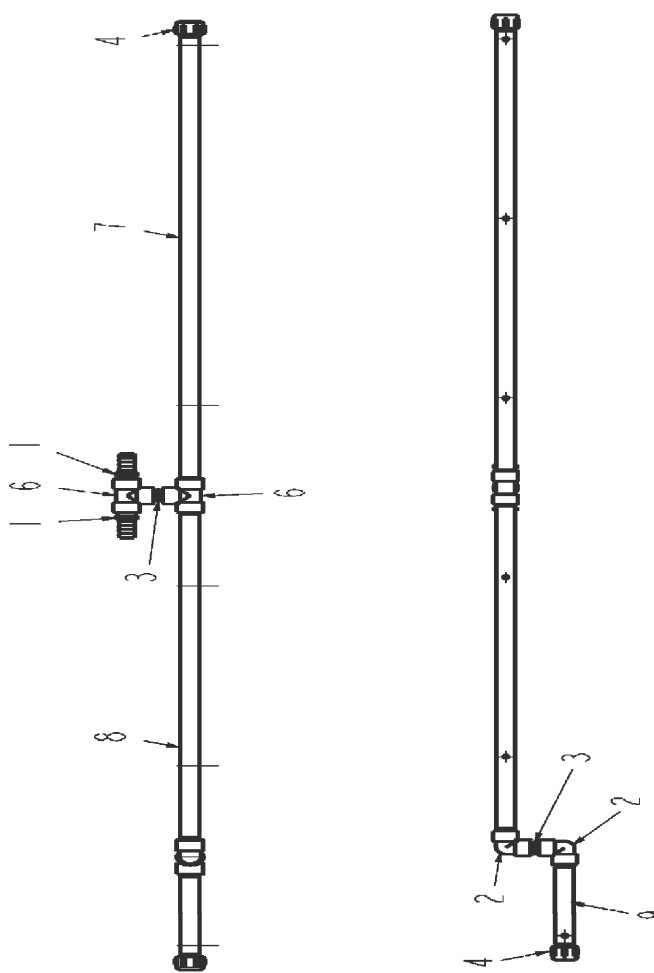
RG700 ROGATOR LIQUID SYSTEM PRODUCT CONTAINMENT SIGHT GAUGE INSTALLATION	Item			Description	10
<p>545378D1-5-AA577</p> 	<p>9 10 11 26 27</p>	<p>22 20 54 37 05 23 22 20 54 37 05 21 37 05 21</p>	<p>.50 .25 .50 .50 .50</p>	<p>REINFORCED HOSE ANHYDROUS HOSE REINFORCED HOSE BRACKET BRACKET</p> <p>545378D1-5-AA577-</p>	

<p><b>RG700 ROGATOR LIQUID SYSTEM PRIMARY PRODUCT DISTRIBUTION</b></p> <p>CHEMICAL EDUCTOR PARALLELOGRAM ASSEMBLY</p> <p>545360D1-3-AA137</p>	<p><b>Item</b></p>	<p> 28 00 47  37 06 34  37 06 33  37 06 35</p>	<p> .50  .25  .50  .50</p>	<p><b>Description</b></p> <p>WARNING DECAL BRACKET BRACKET BRACKET</p> <p>545360D1-3-AA137-</p>	<p><b>20</b></p>
	<p>2 7 8 9</p>				

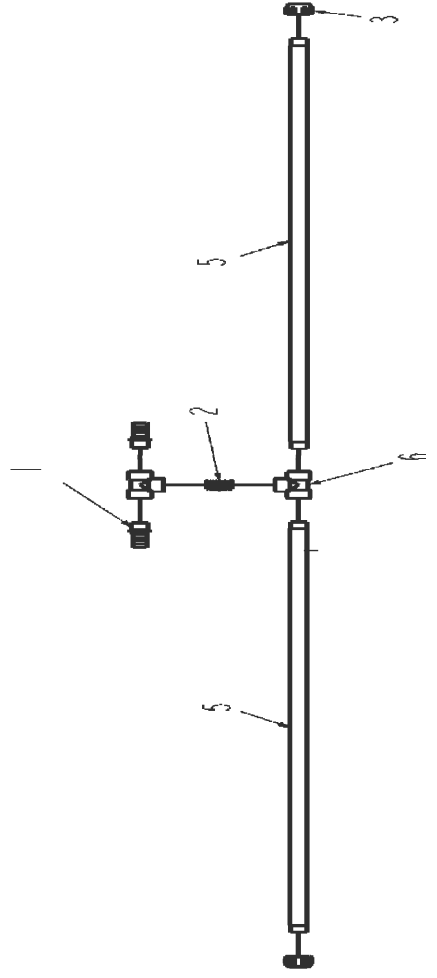
Item	Description	30
<p>RG700 ROGATOR LIQUID SYSTEM PRIMARY PRODUCT DISTRIBUTION</p> <p>VALVE BODY ASSEMBLY, FLANGED, 1.00, 2W</p> <p>565323D1-2-AA765-</p>	<p>4</p>	<p>37 06 19</p>
	<p>.50</p>	<p>VALVE BODY</p> <p>565323D1-2-AA765-</p>
		

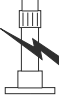

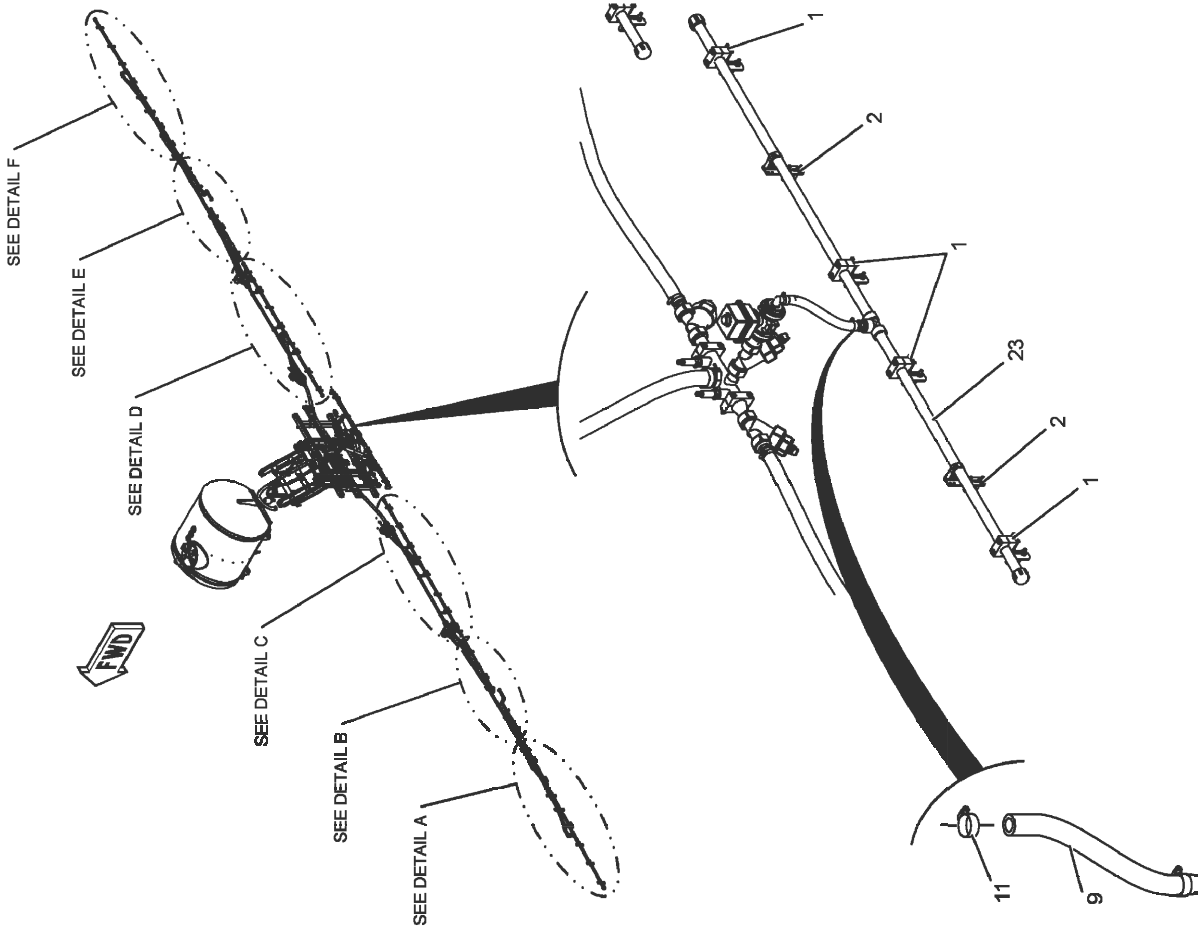
Item	Description	Item	Description	Item	Description	Item	Description	Item	Description	Item	Description
<p><b>RG700 ROGATOR LIQUID SYSTEM SECONDARY PRODUCT DISTRIBUTION</b></p> <p>PLUMBING ASSEMBLY, INLET MANIFOLD, STANDARD</p> <p>545531D1-2-AA671-</p>		<p>3 7 11 12 13 18</p>	<p>37 06 23 37 06 55 37 06 11 37 06 11 37 06 11 37 06 86 37 06 55</p>	<p>.50 .50 .25 .25 .25 .50</p>	<p>SPIDER VALVE/STUBBY;2.00FP;MNP HOSE BARB MANIFOLD CHECK VALVE BALL VALVE</p>		<p>545531D1-2-AA671-</p>	<p>40</p>			

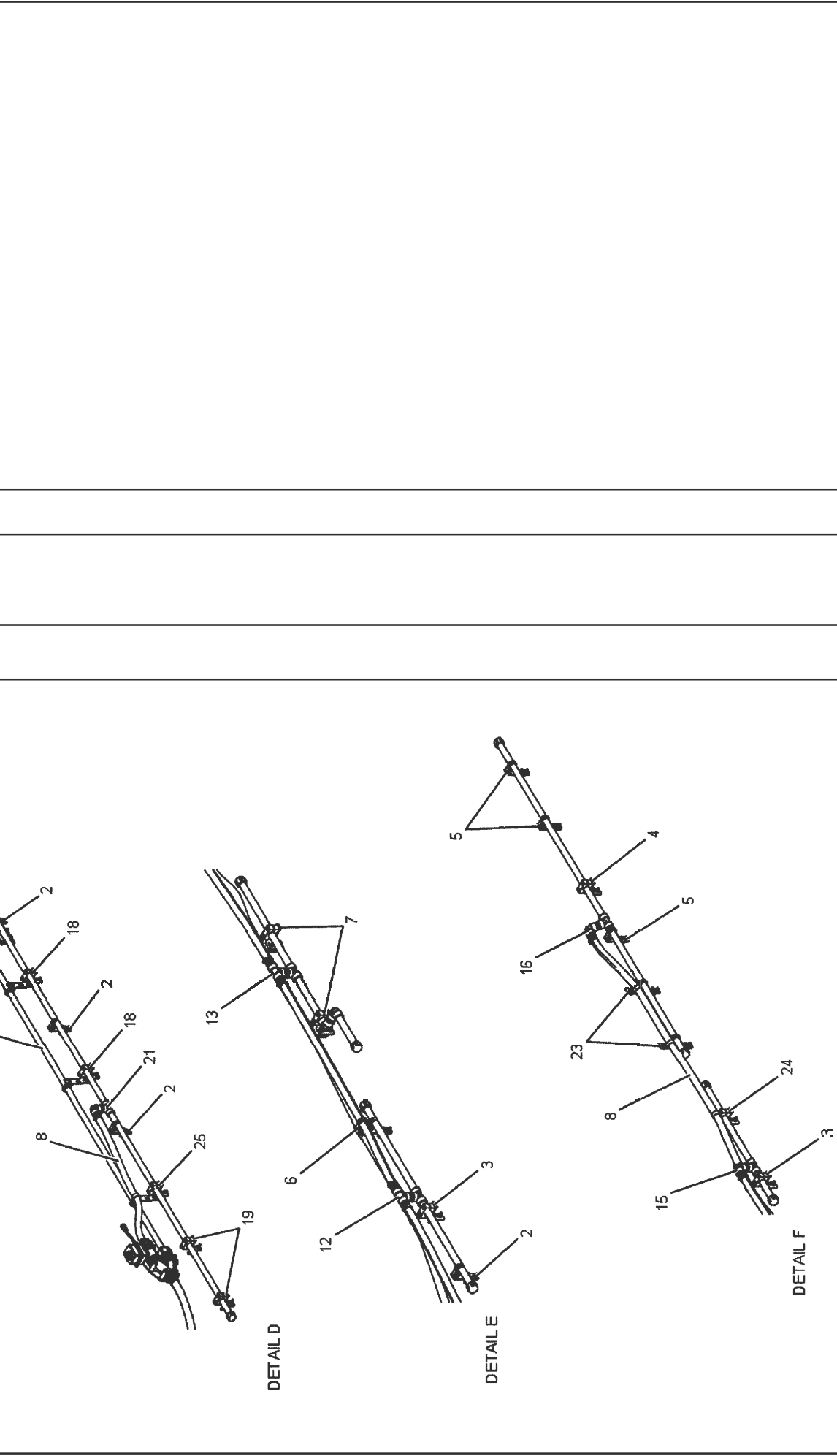
Item	Description	 22 20 54	 .50	50
9	<b>RG700 ROGATOR LIQUID SYSTEM SECONDARY PRODUCT DISTRIBUTION</b>  POLY PLUMBING INSTALLATION, 60/80 X 5 X 15, ON  548683D1-4-AA301-02		REINFORCED HOSE  548683D1-4-AA301-02	

<p style="text-align: center;"><b>RG700 ROGATOR LIQUID SYSTEM SECONDARY PRODUCT DISTRIBUTION</b></p>	<p style="text-align: center;"><b>Item</b></p>			<p style="text-align: center;"><b>Description</b></p>	<p style="text-align: center;"><b>60</b></p>
<p>TEE PIPE ASSEMBLY, WITH 1.00 HOSE BARB, 6X50CM, RIGHT HAND</p> <p style="text-align: center;">555270D1-2-AA013</p> <div style="text-align: center;">  </div>	<p>3 6 7 8 9</p>	<p>37 08 52 37 06 53 37 08 52 37 08 52 37 08 52</p>	<p>.25 .75 .25 .25 .25</p>	<p>PIPE NIPPLE TEE FITTING  PIPE</p> <p style="text-align: center;">555270D1-2-AA013-</p>	

Item	Description	Item	Description	Item	Description	Item	Description
5	TEE PIPE ASSEMBLY, WITH TWO 1.00 HOSE BARB, 12X10, POLY	37 08 52	TUBE	.25		70	
6	559835D1-2-AA013	37 06 53	TEE FITTING	.75	559835D1-2-AA013-		



<p><b>RG700 ROGATOR LIQUID SYSTEM SECONDARY PRODUCT DISTRIBUTION</b></p>	<p><b>Item</b></p>			<p><b>Description</b></p>	<p><b>80</b></p>
<p>POLY PLUMBING INSTALLATION, 60/80 X 7 X 10, ON</p> <p>558684D1-4-AA383-01</p> 	<p>9</p>	<p>22 20 54</p>	<p>.50</p>	<p>REINFORCED HOSE</p> <p>558684D1-4-AA383-01</p>	

Item	Description	Quantity	Unit	Part Number	Material
8	<p><b>RG700 ROGATOR LIQUID SYSTEM SECONDARY PRODUCT DISTRIBUTION</b></p> <p>POLY PLUMBING INSTALLATION, 60/80 X 7 X 15, ON</p> <p>558685D1-4-AA576-03</p> 	22 20 54	.50	REINFORCED HOSE	558685D1-4-AA576-03
90					



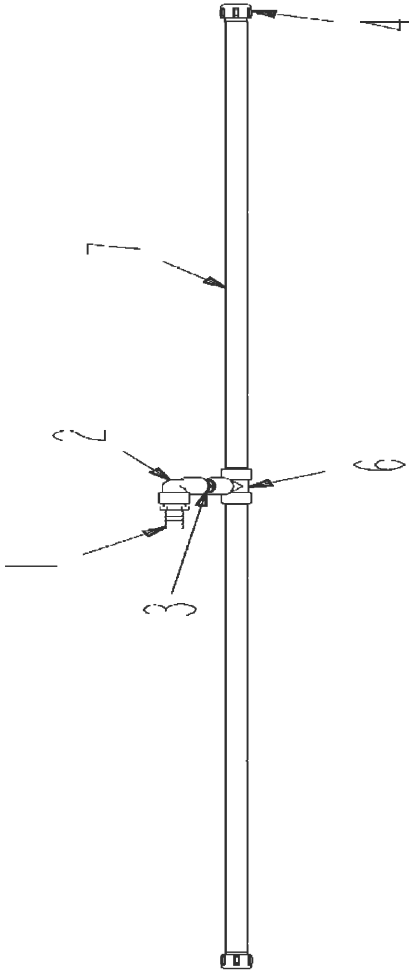
CLICK HERE TO **DOWNLOAD** THE COMPLETE MANUAL

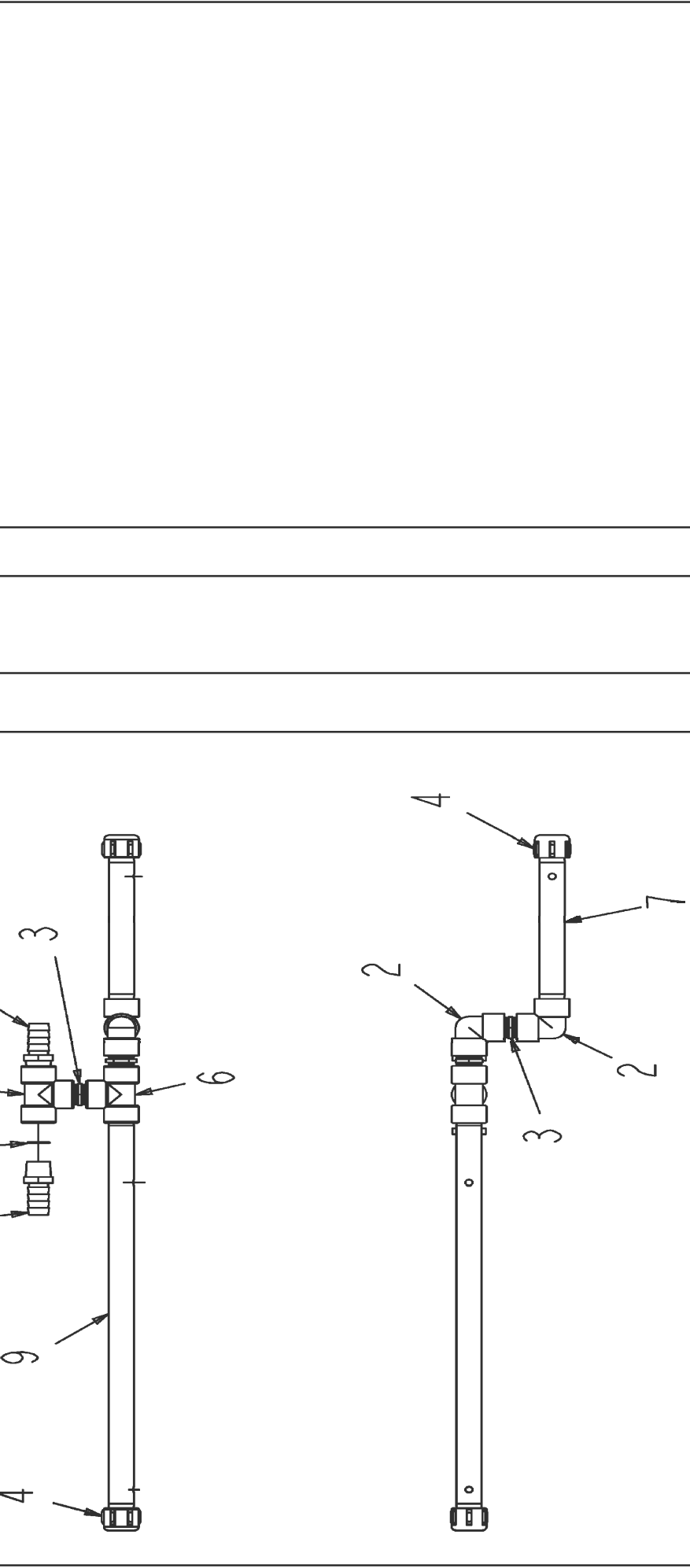
- Thank you very much for reading the preview of the manual.
- You can download the complete manual from: [www.heydownloads.com](http://www.heydownloads.com) by clicking the link below

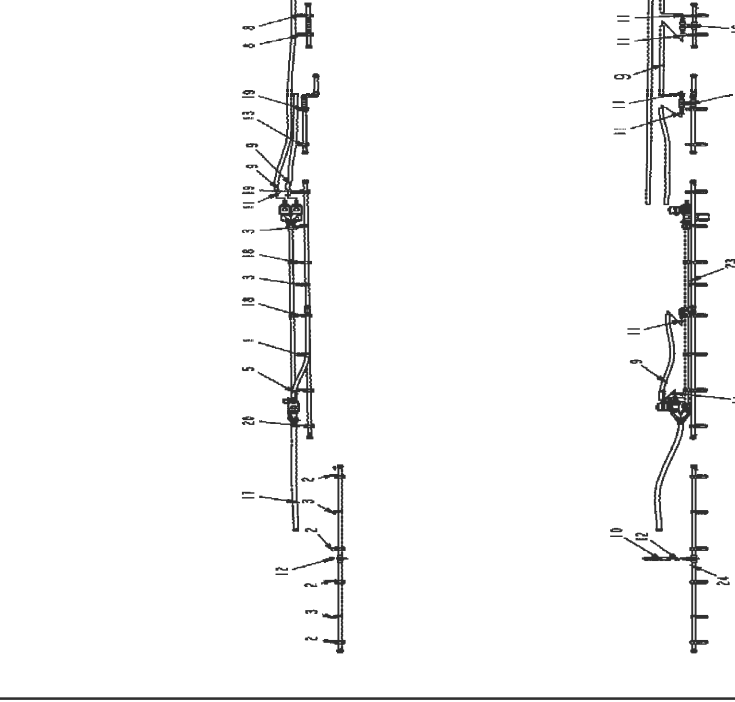




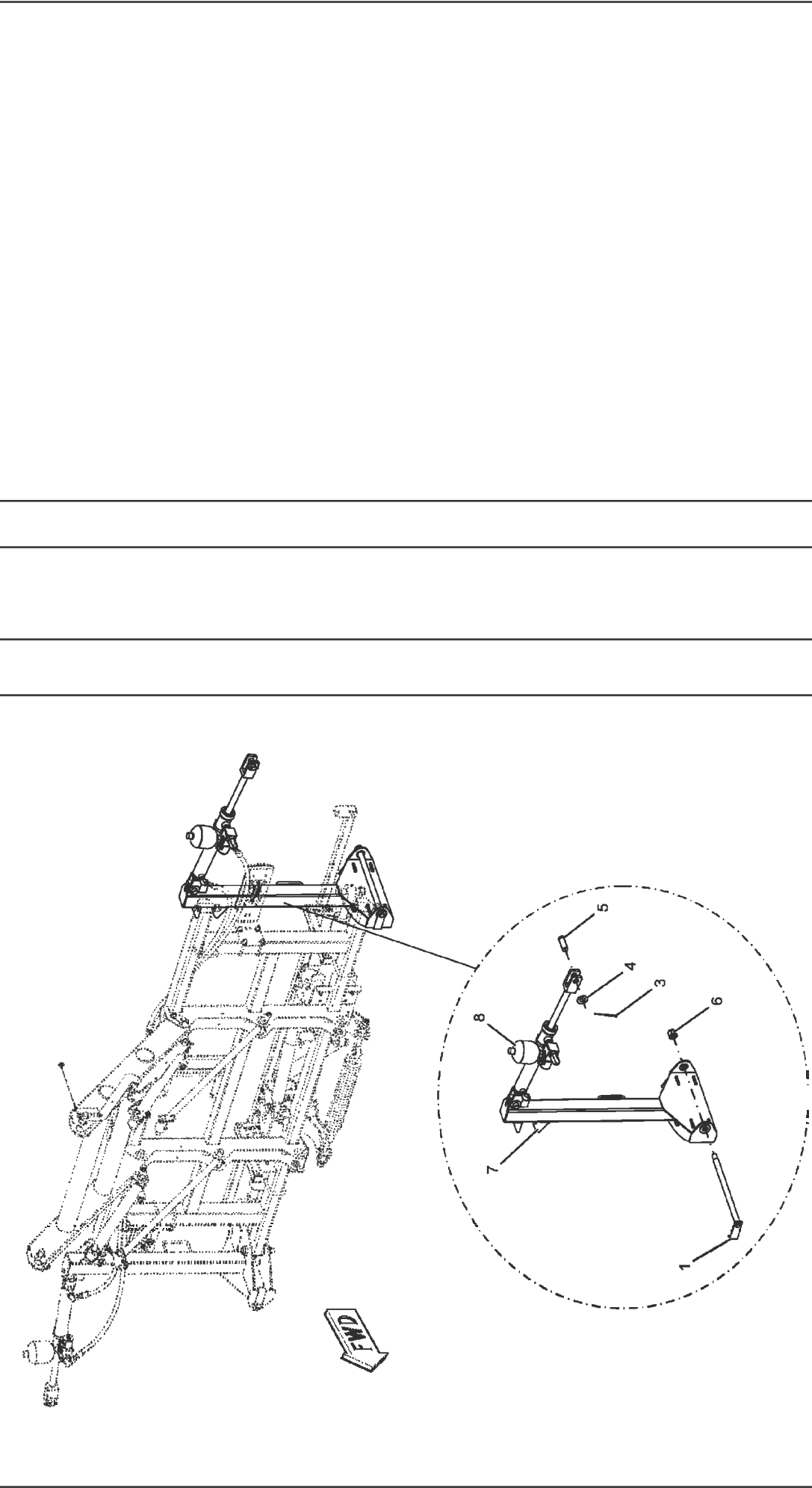
- Please note: If there is no response to CLICKING the link, please download this PDF first and then click on it.



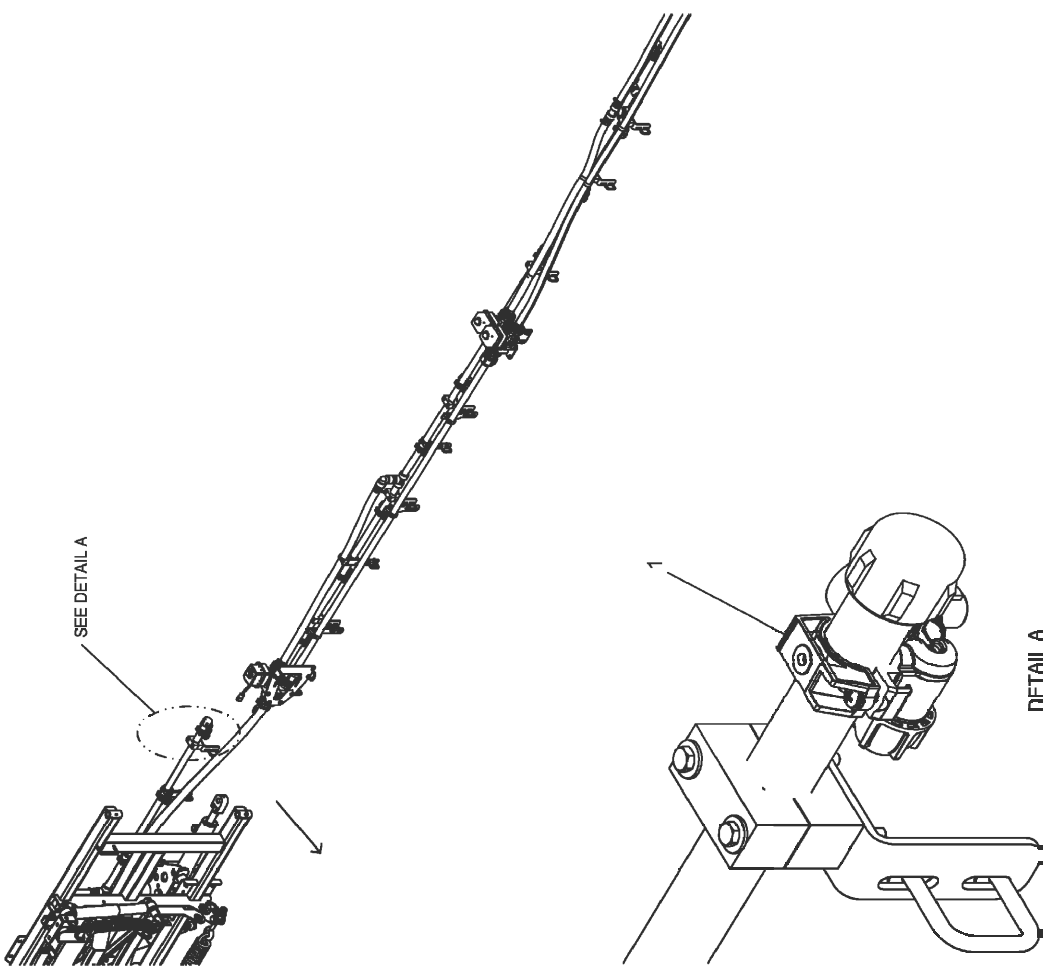
CLICK HERE TO **DOWNLOAD** THE COMPLETE MANUAL

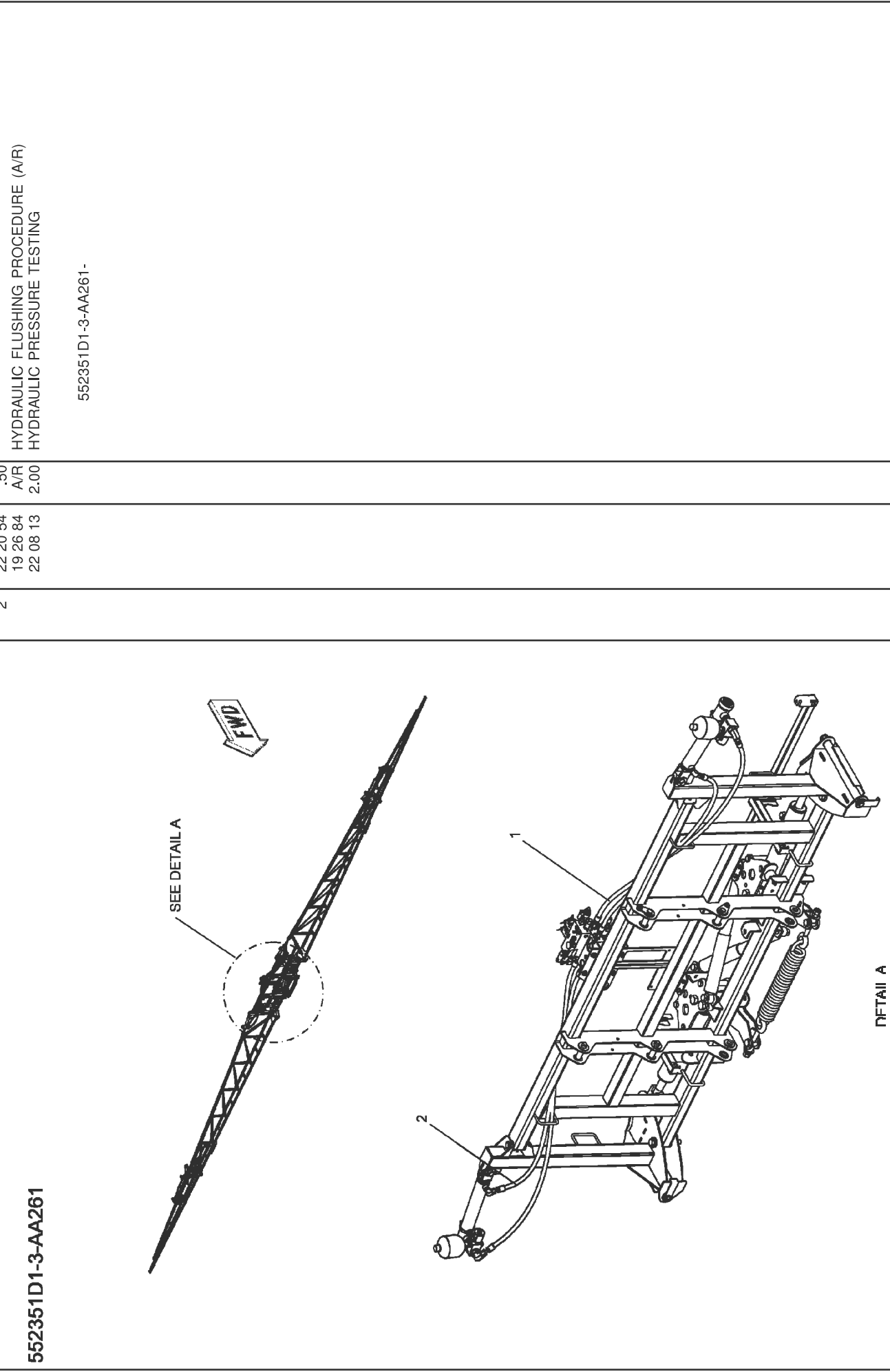
<p><b>RG700 ROGATOR LIQUID SYSTEM SECONDARY PRODUCT DISTRIBUTION</b></p>	<p><b>Item</b></p>			<p><b>Description</b></p>	<p><b>100</b></p>
<p>PIPE ASSEMBLY, 90D WITH 1.00 HOSE BARB, 6X50CM, LEFT HAND</p> <p>559833D1-2-AA039</p> 	<p>6 7</p>	<p>37 06 53 37 08 52</p>	<p>.75 .25</p>	<p>TEE FITTING PIPE</p> <p>559833D1-2-AA039-</p>	

Item	Description	Item	Description	Item	Description	Item	Description
3	TEE PIPE ASSEMBLY, WITH 1.00 HOSE BARB, 3X50CM, LEFT HAND	6	PIPE NIPPLE	7	TEE FITTING	9	571133D1-1-AA301-
<p><b>RG700 ROGATOR LIQUID SYSTEM SECONDARY PRODUCT DISTRIBUTION</b></p> <p>571133D1-1-AA301</p> 							

Item	Description	Item	Description	Item	Description	Item	Description
<p><b>RG700 ROGATOR LIQUID SYSTEM SECONDARY PRODUCT DISTRIBUTION</b></p> <p>PLUMBING INSTALLATION, POLY, 6080X7X50CM, OFF</p> <p>573253D1-2-AA963-</p>		9	REINFORCED HOSE	22 20 54		.50	
10	REINFORCED HOSE	22 20 54					573253D1-2-AA963--

Item	Description	130	
7	HINGE ASSEMBLY, 60/80/90, LEFT HAND  <b>552737D1-3-AA261</b>	ARM	552737D1-3-AA261-
	28 01 15	1.00	
			

<p><b>RG700 ROGATOR LIQUID SYSTEM BOOMS</b></p>	<p><b>Item</b></p>			<p><b>Description</b></p>	<p><b>140</b></p>
<p>3 WAY ROTARY NOZZLE INSTALLATION, 20X80</p> <p>551467D1-4-AA056</p> 	<p>1</p>	<p>37 08 96</p>	<p>.25</p>	<p>NOZZLE</p> <p>551467D1-4-AA056-</p>	

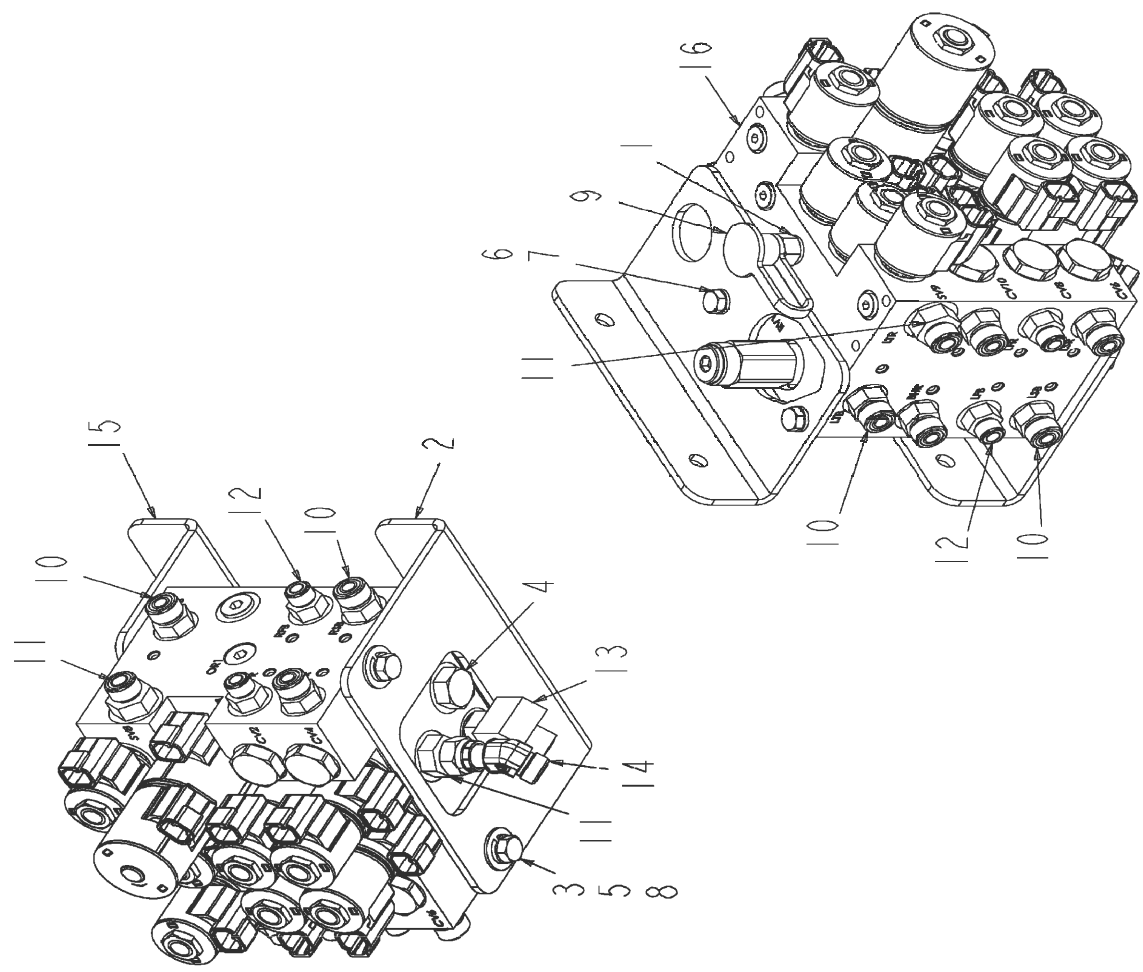
Item	Description	150
<p>RG700 ROGATOR LIQUID SYSTEM HYDRAULIC SYSTEM</p> <p>HOSE INSTALLATION, BOOM TILT, 6080/90</p> <p>552351D1-3-AA261</p>		<p>HYDRAULIC FLUSHING PROCEDURE (A/R) HYDRAULIC PRESSURE TESTING</p> <p>552351D1-3-AA261-</p>
<p>22 20 54 22 20 54 19 26 84 22 08 13</p>	<p>⌚</p> <p>.50 .50 A/R 2.00</p>	<p>⚡</p>

Item	Description	Quantity	Part Number
1	HYDRAULIC BLOCK ASSEMBLY, 7 BANK BOOM VALVE, WITHOUT AUTOBOOM	.25	572707D1-1-AA479-
10	HYDRAULIC COUPLER	.25	22 20 77
11	HYDRAULIC FITTING	.25	22 20 77
12	ADAPTER FITTING	.25	22 20 77
13	ADAPTER FITTING	.25	22 20 77
14	ELBOW	.25	22 20 77
16	ECCENTRIC HYDRAULIC VALVE	1.50	22 20 41
	HYDRAULIC FLUSHING PROCEDURE (A/R)	A/R	19 26 84
	HYDRAULIC PRESSURE TESTING	2.00	22 08 13

**RG700 ROGATOR LIQUID SYSTEM  
HYDRAULIC SYSTEM**

HYDRAULIC BLOCK ASSEMBLY,  
7 BANK BOOM VALVE, WITHOUT AUTOBOOM

572707D1-1-AA479



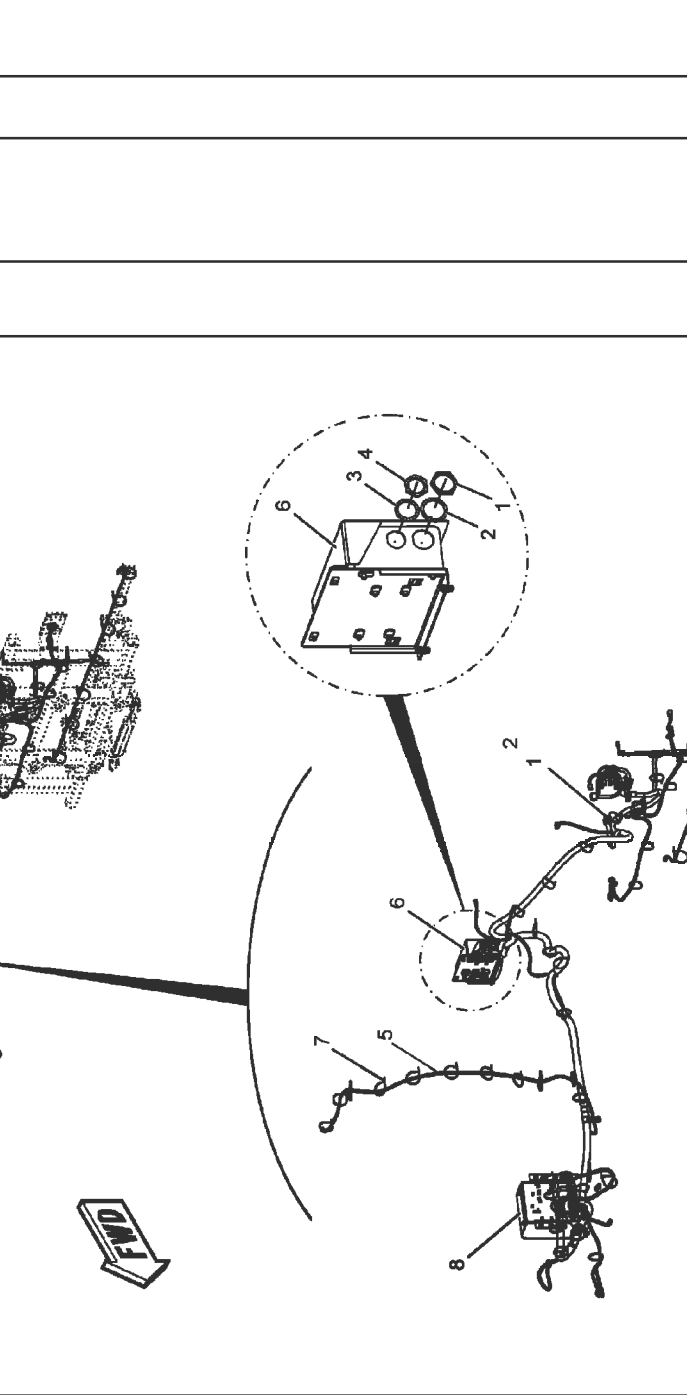


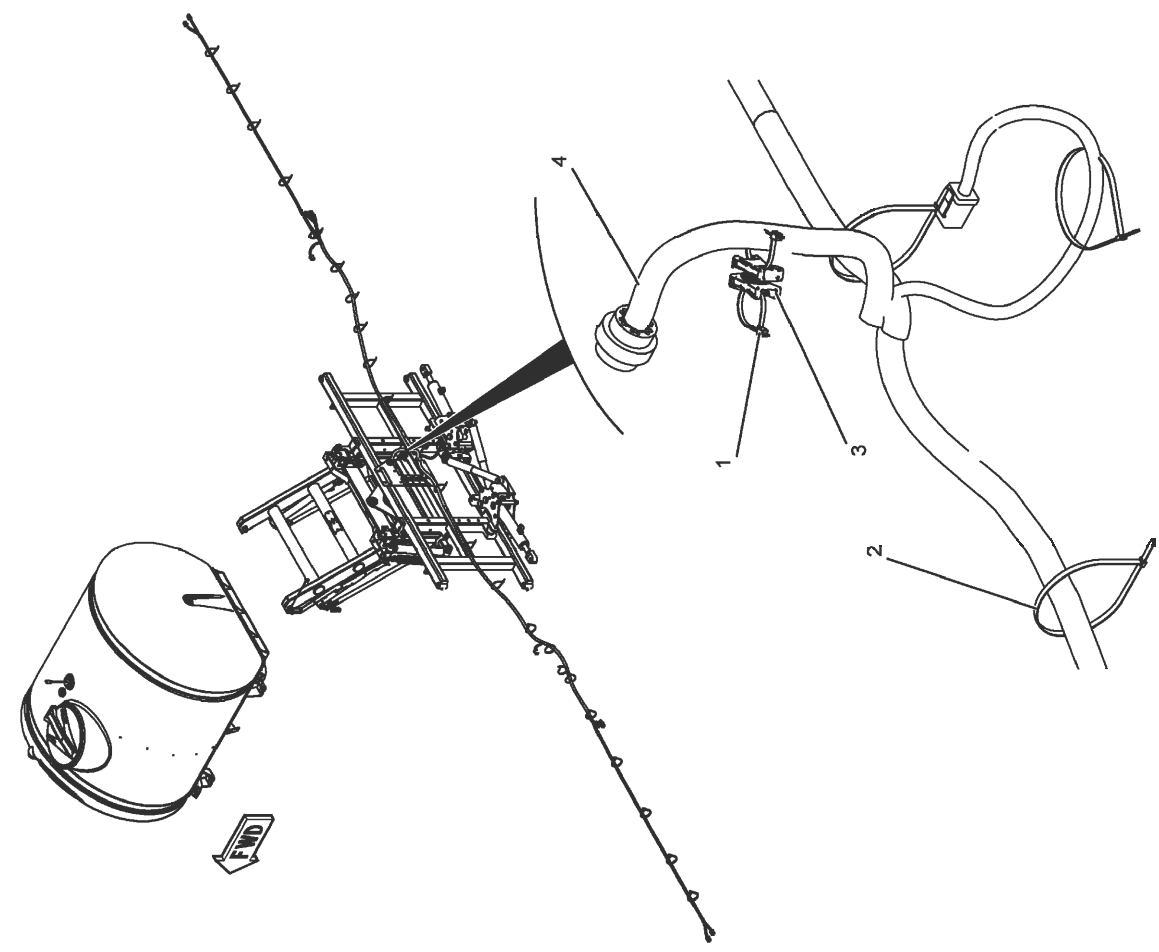
**Description**

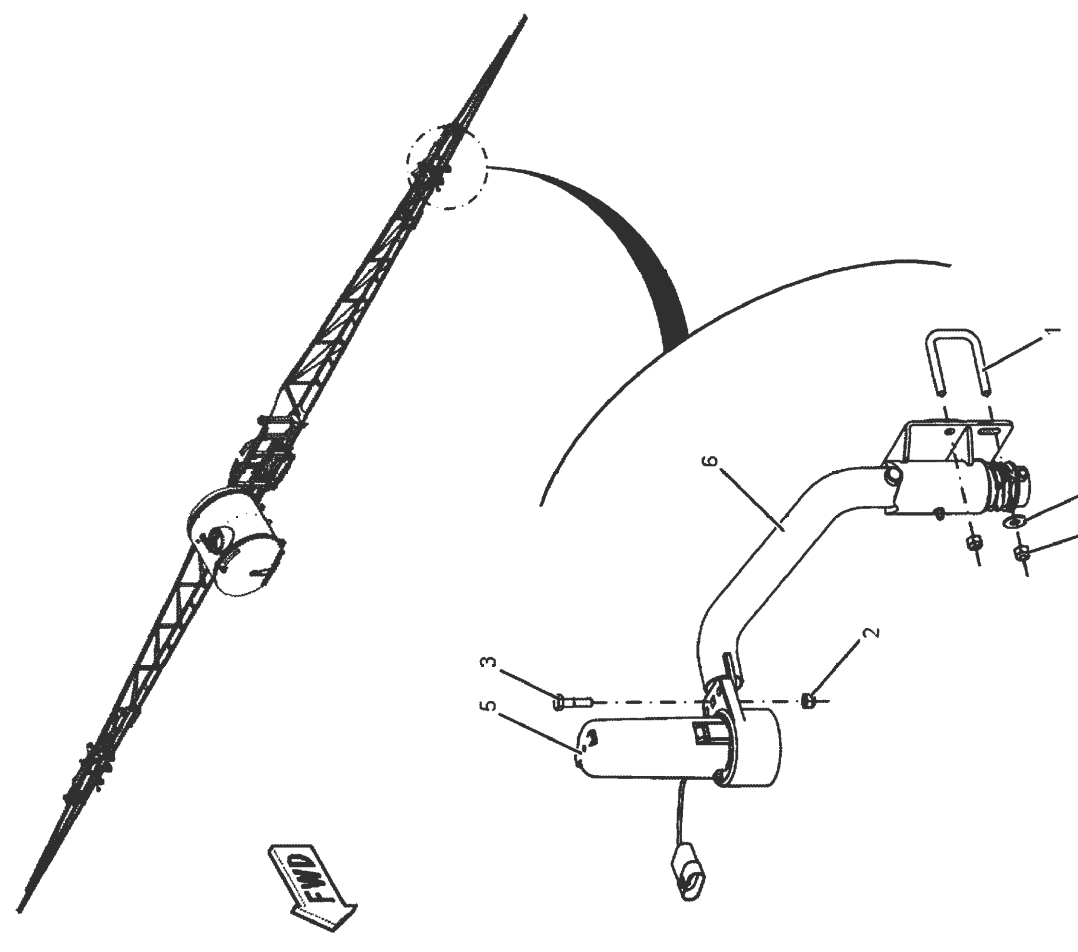


160

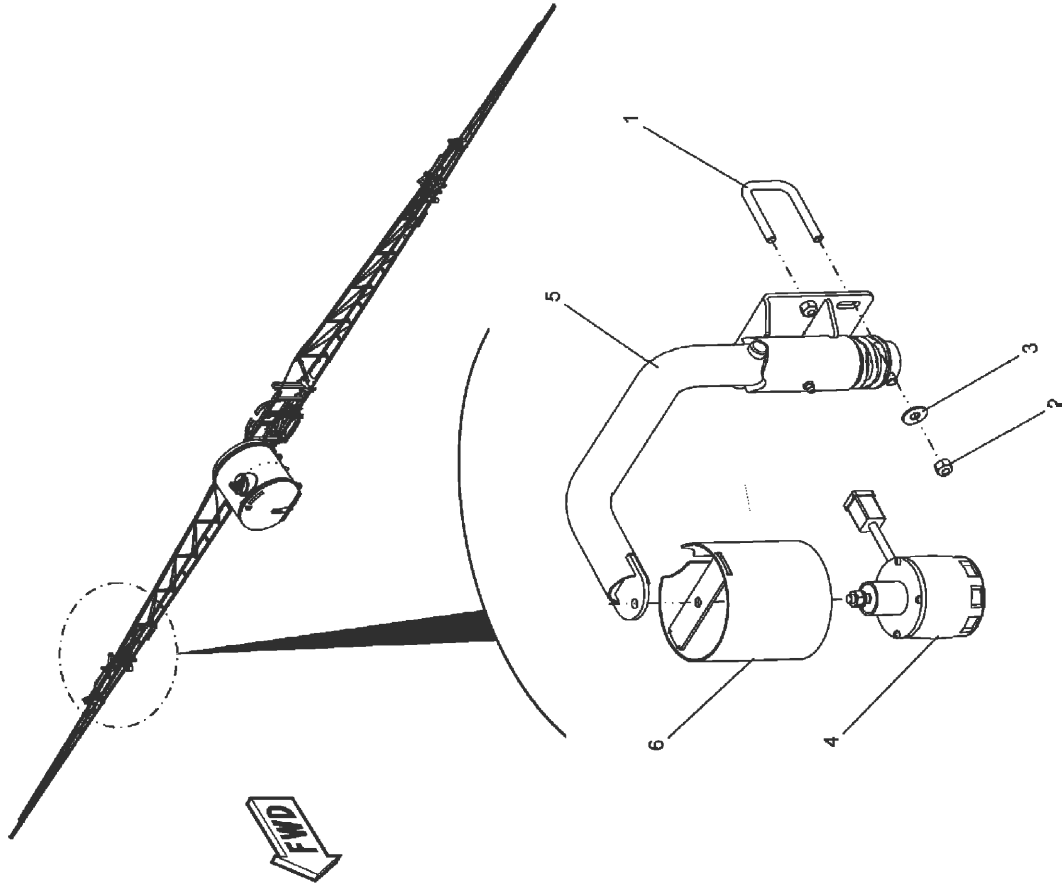
HYDRAULIC COUPLER  
HYDRAULIC FITTING  
ADAPTER FITTING  
ADAPTER FITTING  
ELBOW  
ECCENTRIC  
HYDRAULIC VALVE  
HYDRAULIC FLUSHING PROCEDURE (A/R)  
HYDRAULIC PRESSURE TESTING

572707D1-1-AA479-

<p><b>RG700 ROGATOR LIQUID SYSTEM ELECTRICAL SYSTEM</b></p> <p><b>ELECTRICAL INSTALLATION, SYSTEM</b></p> <p><b>550342D1-5-AA430</b></p>	<p><b>Item</b></p> <p>5</p>	<p></p> <p>14 04 40 14 01 00</p>	<p></p> <p>2.5 1.5</p>	<p><b>Description</b></p> <p>HARNES ELECTRICAL DIAGNOSTICS</p> <p>550342D1-5-AA430-</p> <p>170</p>
				

Item	Description	14 04 34 14 01 00	.25 1.5	180
<p><b>RG700 ROGATOR LIQUID SYSTEM ELECTRICAL SYSTEM</b></p> <p>ELECTRICAL INSTALLATION, SYSTEM, 7 SECTION</p> <p>558885D1-3-AA252</p> 	<p>WIRE HARNESS ELECTRICAL DIAGNOSTICS</p> <p>558885D1-3-AA252-</p>			

Item	Description	190
5	<p>RG700 ROGATOR LIQUID SYSTEM CONTROLLER SYSTEM</p> <p>SENSOR INSTALLATION, AUTOBOOM, INNER BOOM</p> <p>555129D1-6-AM391-</p> 	<p>SENSOR REPROGRAMMING ELECTRICAL DIAGNOSTICS</p> <p>555129D1-6-AM391-</p>
	<p>.25 1.0 1.5</p>	
	<p>34 04 36 60 30 00 14 01 00</p>	

Item	Description	200
<p>RG700 ROGATOR LIQUID SYSTEM CONTROLLER SYSTEM</p> <p>SENSOR INSTALLATION, NORAC, INNER BOOM</p> <p>555130D1-5-AA576</p>		<p>34 04 36 60 30 00 14 01 00</p> <p>.25 1.0 1.5</p> <p>SENSOR REPROGRAMMING ELECTRICAL DIAGNOSTICS</p> <p>555130D1-5-AA576--</p>

CLICK HERE TO **DOWNLOAD** THE COMPLETE MANUAL

- Thank you very much for reading the preview of the manual.
- You can download the complete manual from: [www.heydownloads.com](http://www.heydownloads.com) by clicking the link below



- Please note: If there is no response to CLICKING the link, please download this PDF first and then click on it.

CLICK HERE TO **DOWNLOAD** THE COMPLETE MANUAL