

AGCO®
RG700
Rogator Chassis
REPAIR TIME SCHEDULE
Form Number 568665D1A

Contents

Section	Description
01	Engine, Fuel and Exhaust System
02	Steering System
03	Air System
04	Hydraulic System
05	Electrical System
06	Cab System
07	Air Conditioning and Heating System
08	Chassis
09	Decals
10	Wheels
11	Controller System
12	Guidance System

CLICK HERE TO **DOWNLOAD** THE COMPLETE MANUAL

- Thank you very much for reading the preview of the manual.
- You can download the complete manual from: www.heydownloads.com by clicking the link below

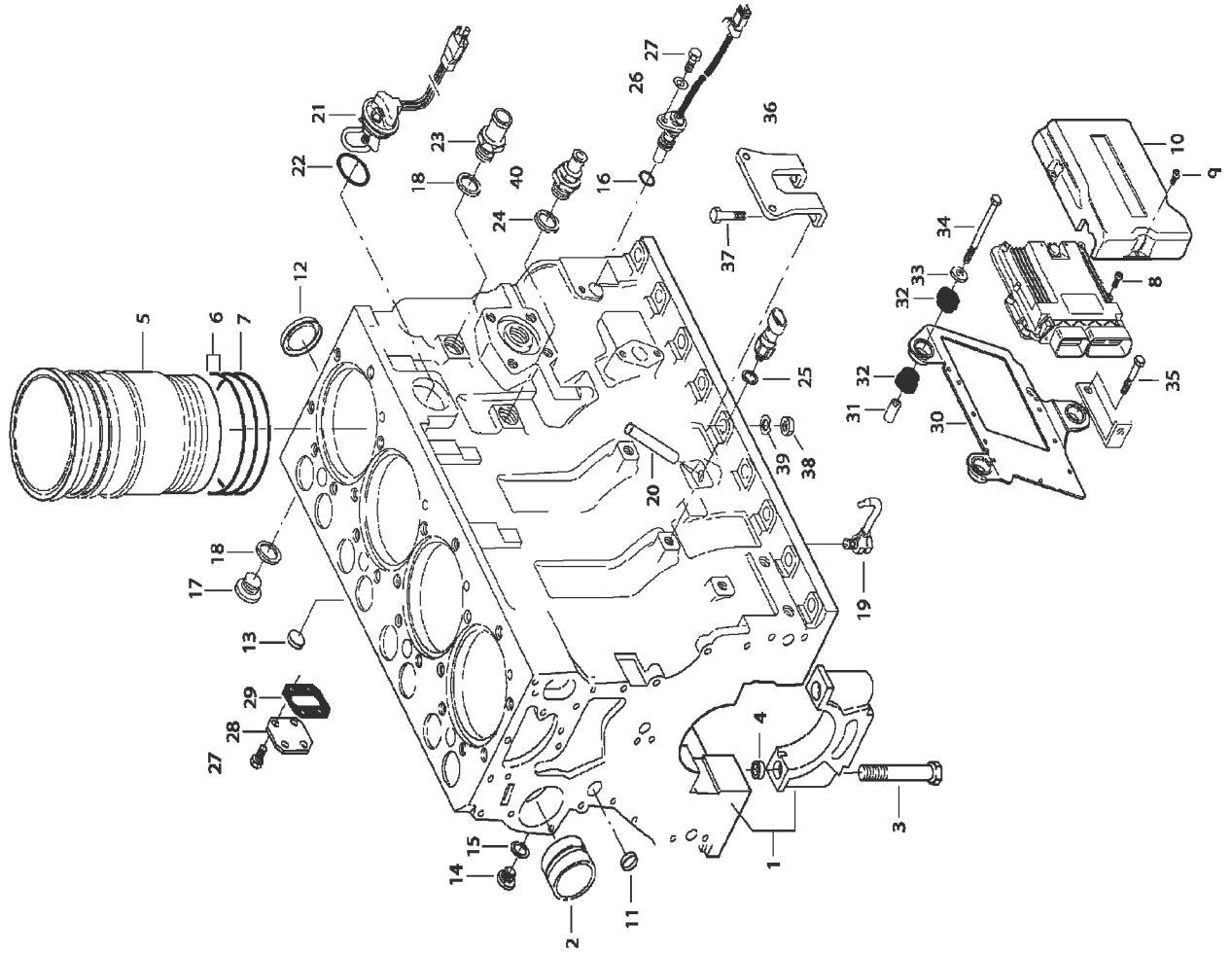


- Please note: If there is no response to CLICKING the link, please download this PDF first and then click on it.

CLICK HERE TO **DOWNLOAD** THE COMPLETE MANUAL

**RG700 ROGATOR CHASSIS (2014)
ENGINE, FUEL AND EXHAUST SYSTEM**

CYLINDER BLOCK ASSEMBLY



1	71 06 02	32.00	⌚
2	75 21 01	11.25	
6	71 08 02	18.25	
7	71 08 03	18.25	
10	59 23 34	0.75	
21	14 02 71	0.50	
23	51 09 09	0.75	
28	71 61 00	3.50	
29	71 61 00	3.50	
30	51 09 16	0.75	
40	51 09 09	0.75	

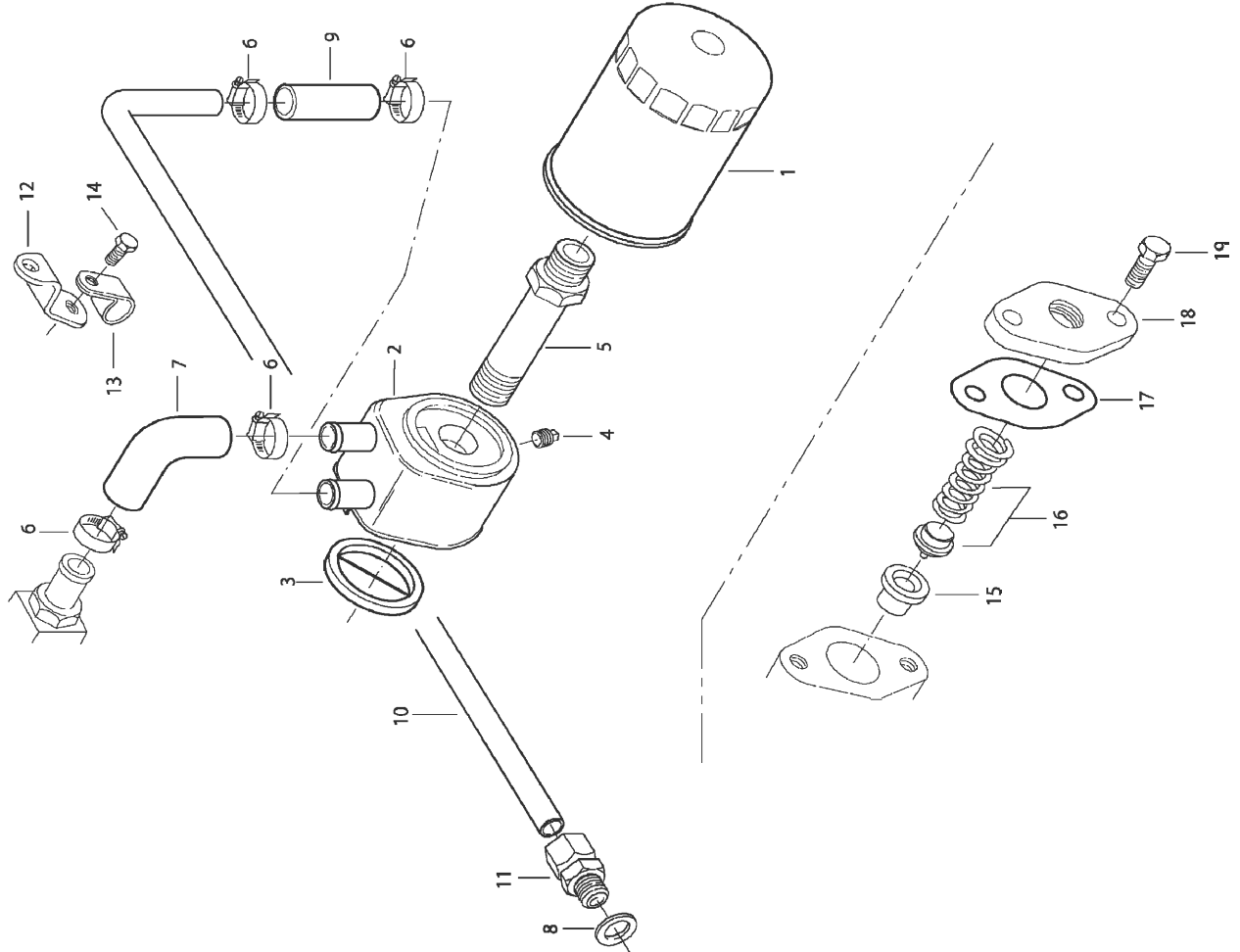
VW010010071

Description

CYLINDER BLOCK
CAMSHAFT BEARING BUSHING
CYLINDER LINER O-RING
CYLINDER LINER O-RING
COVER
ENGINE BLOCK HEATER
HOSE COUPLER
COVER
GASKET
ECU BRACKET
COCK

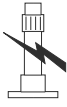
**RG700 ROGATOR CHASSIS (2014)
ENGINE, FUEL AND EXHAUST SYSTEM**

OIL FILTER ASSEMBLY



Item

1



78 06 00





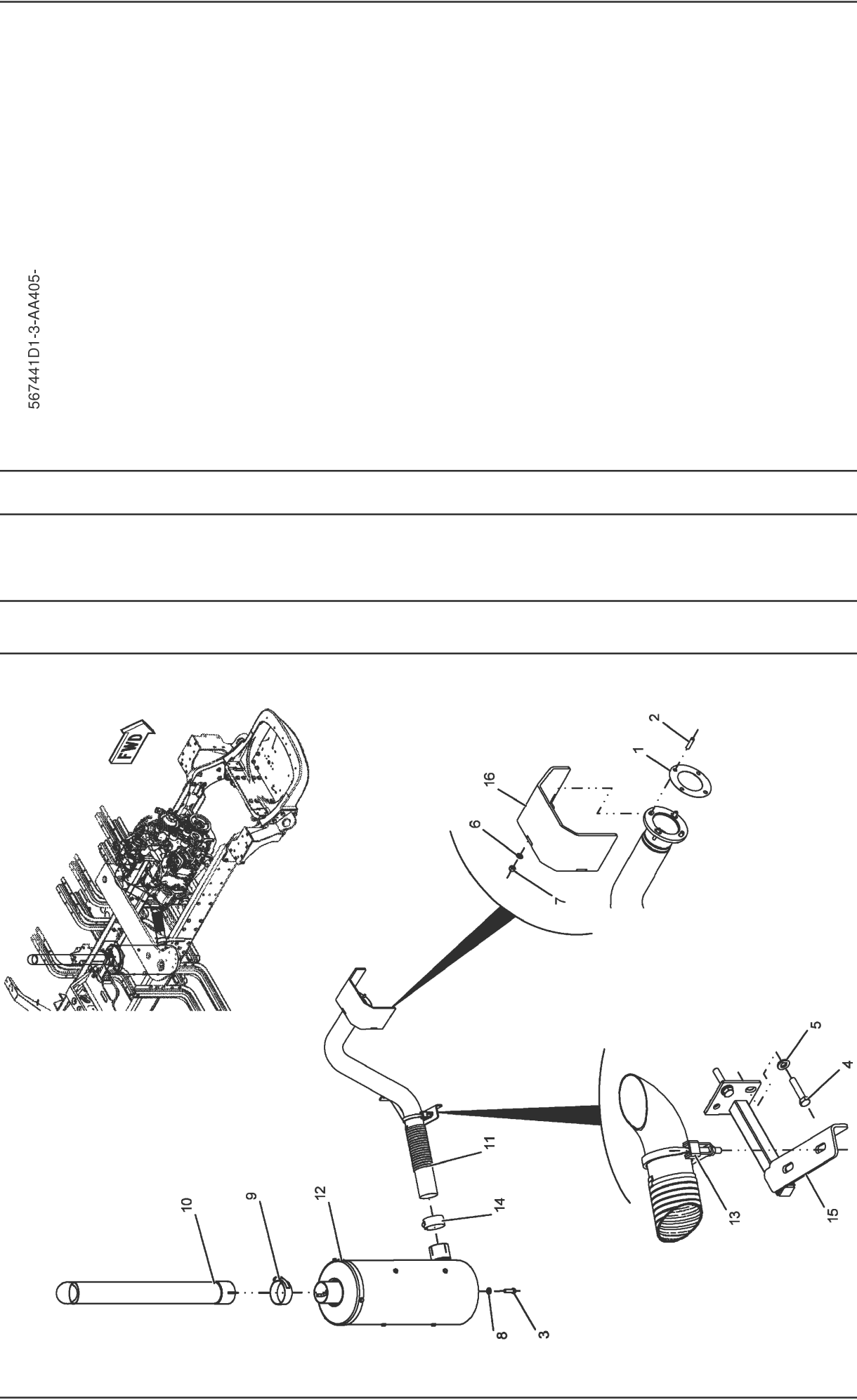
0.25



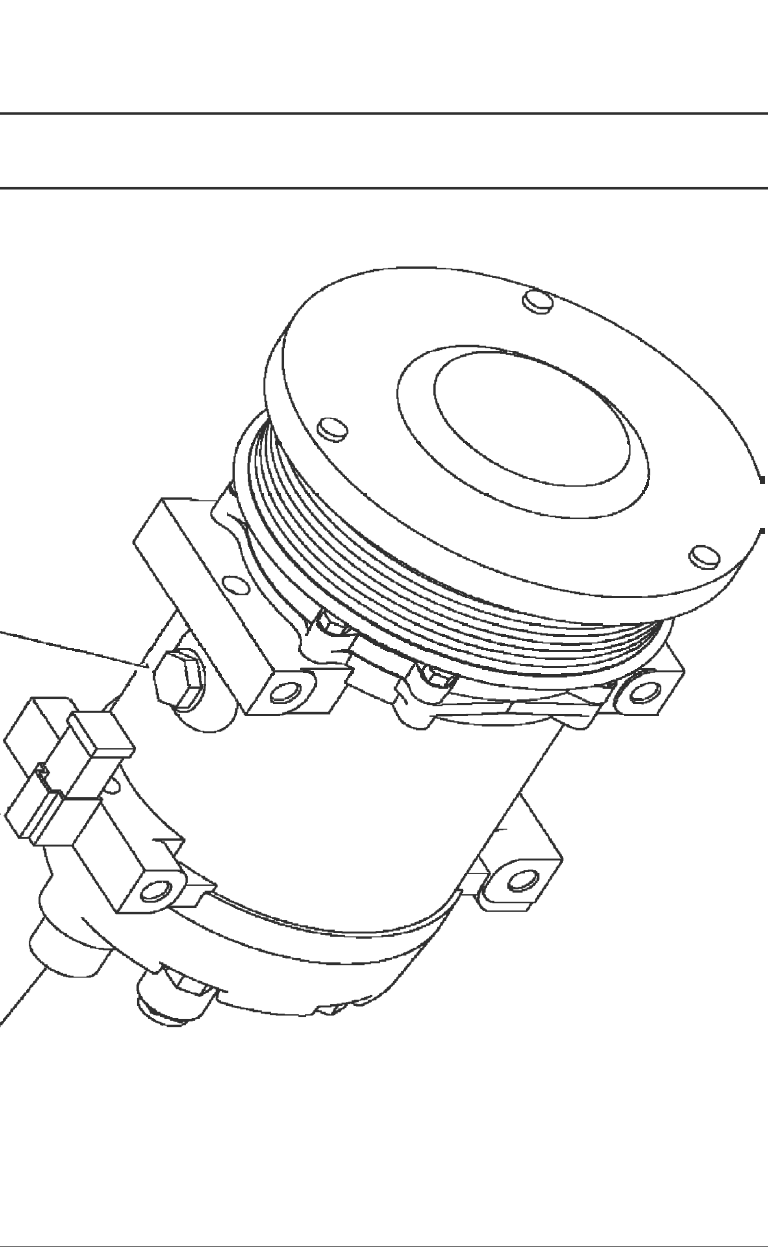
Description

OIL FILTER

VW010010081

20

Item	Description			30
10 11 12 16	RG700 ROGATOR CHASSIS (2014) ENGINE, FUEL AND EXHAUST SYSTEM EXHAUST INSTALLATION, LESS REGULATED COUNTRIES 567441D1-3-AA405	58 56 08 58 56 08 58 56 08 58 56 08	0.50 0.50 0.50 0.50	EXHAUST PIPE EXHAUST PIPE EXHAUST MUFFLER HEAT SHIELD 567441D1-3-AA405-
				

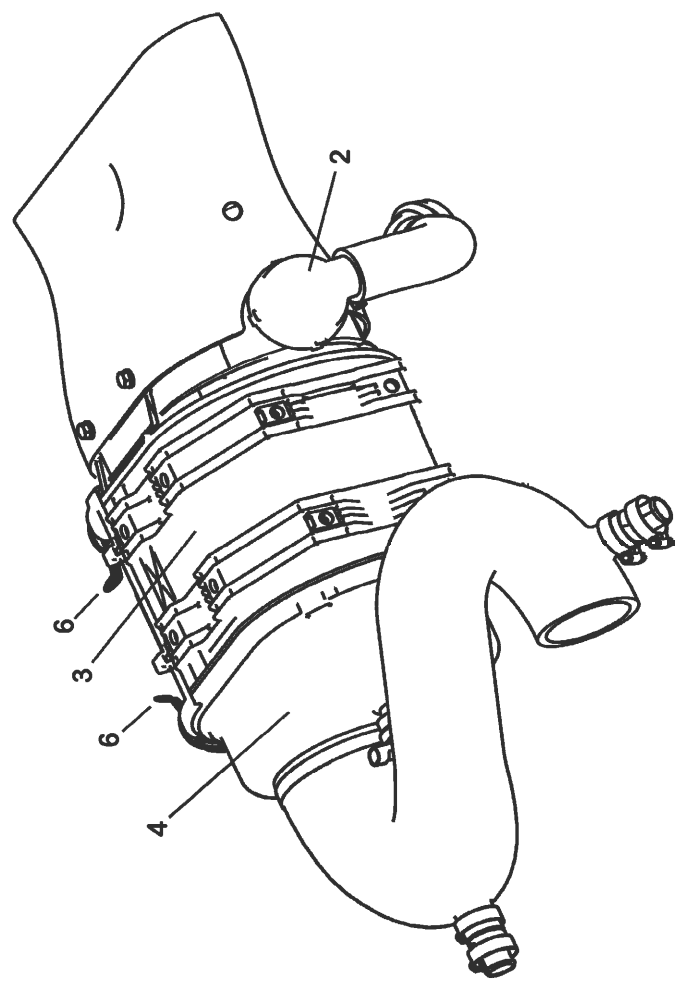
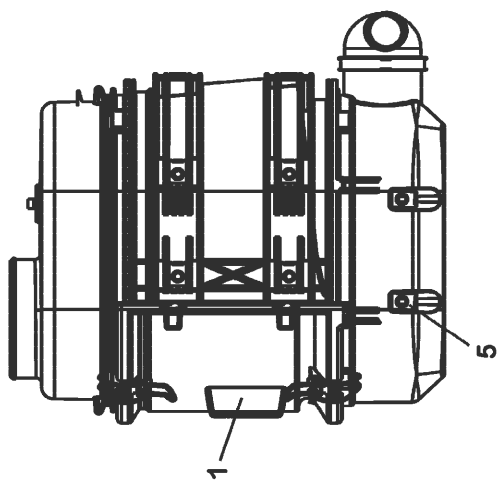
<p>RG700 ROGATOR CHASSIS (2014) ENGINE, FUEL AND EXHAUST SYSTEM</p> <p>AIR CONDITIONER COMPRESSOR GROUP</p> <p>CH178-9570-02-K921</p>	<p>Item</p> <p>3</p>	<p></p> <p>58 65 68</p>	<p></p> <p>0.50</p>	<p>Description</p> <p>PRESSURE VALVE</p> <p>CH178-9570-02-K921-</p>	<p>40</p>
					



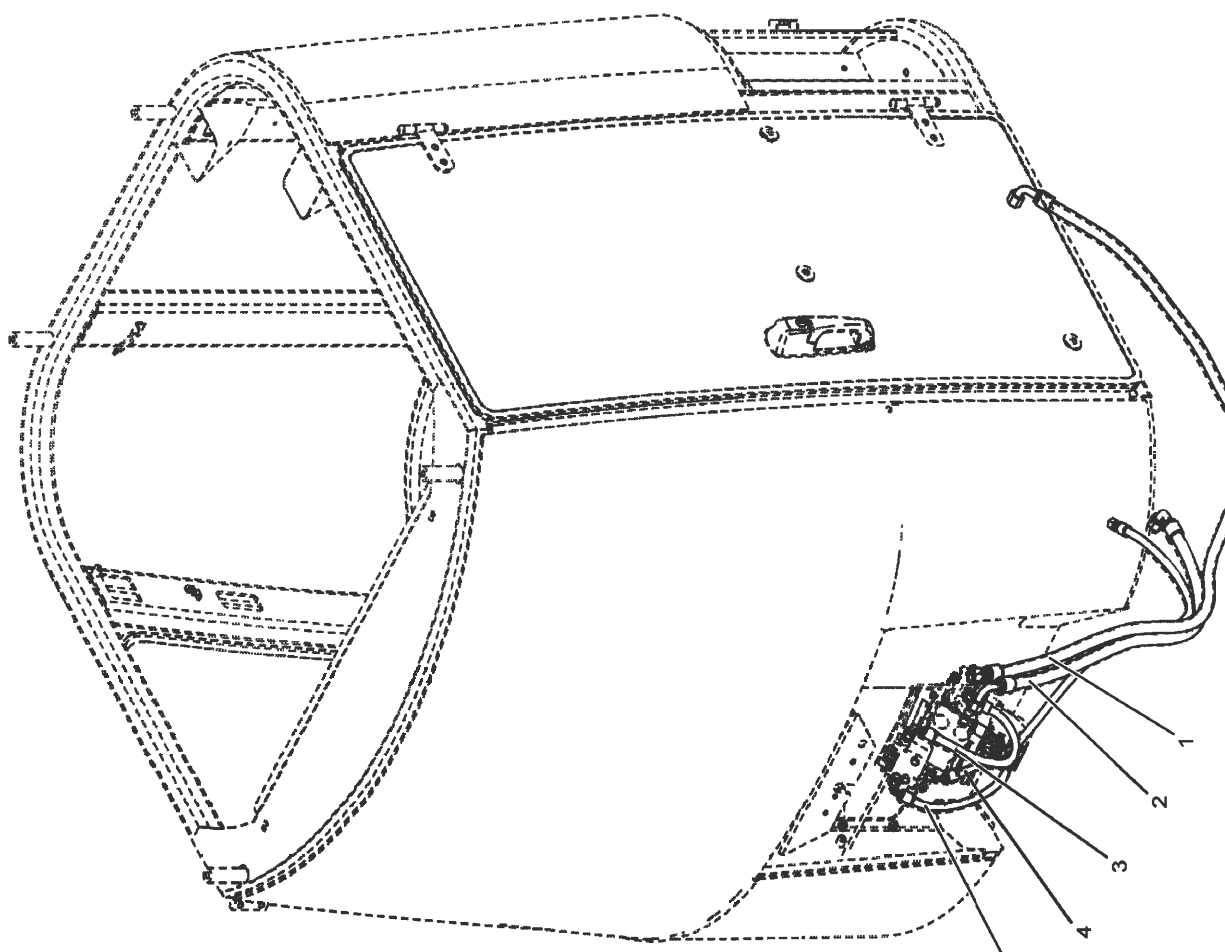
Item	Description	Quantity	Part Number	Quantity	Part Number	Description	Quantity
1	AIR CLEANER COVER	1.00	567586D1-3-AA269-	1.00	567586D1-3-AA269-	AIR CLEANER COVER	1.00
3	AIR FILTER	0.25		0.25		AIR FILTER	0.25
4	ELEMENT,AIR FITR	0.25		0.25		ELEMENT,AIR FITR	0.25
	DECAL	0.25		0.25		DECAL	0.25



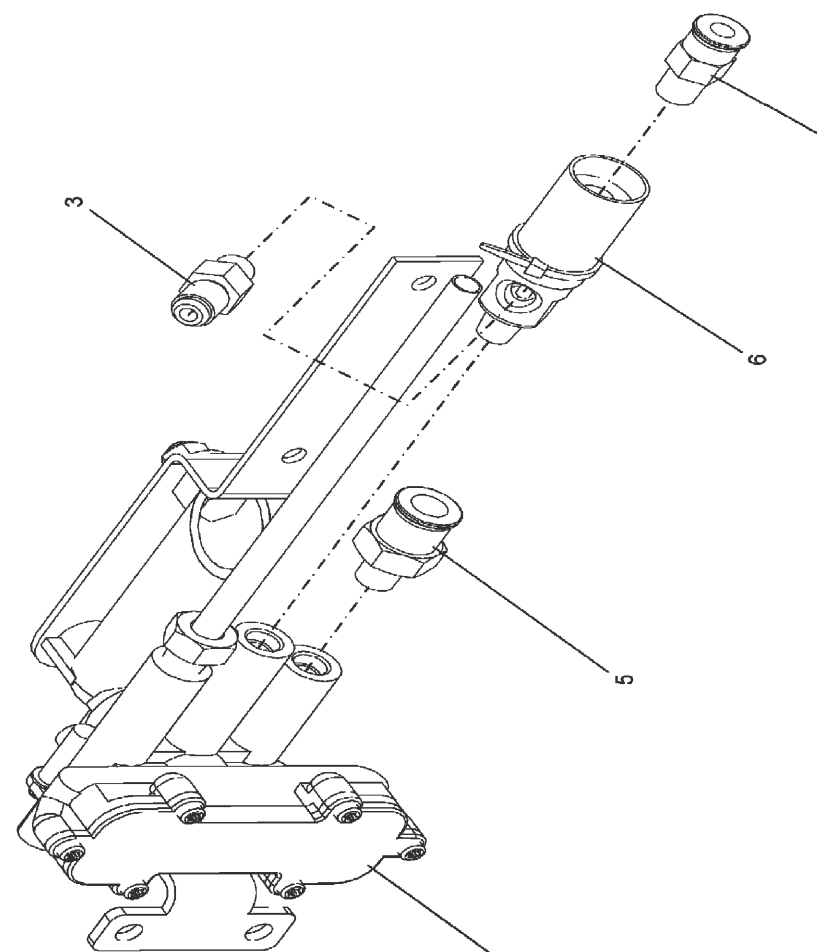
**RG700 ROGATOR CHASSIS (2014)
ENGINE, FUEL AND EXHAUST SYSTEM**



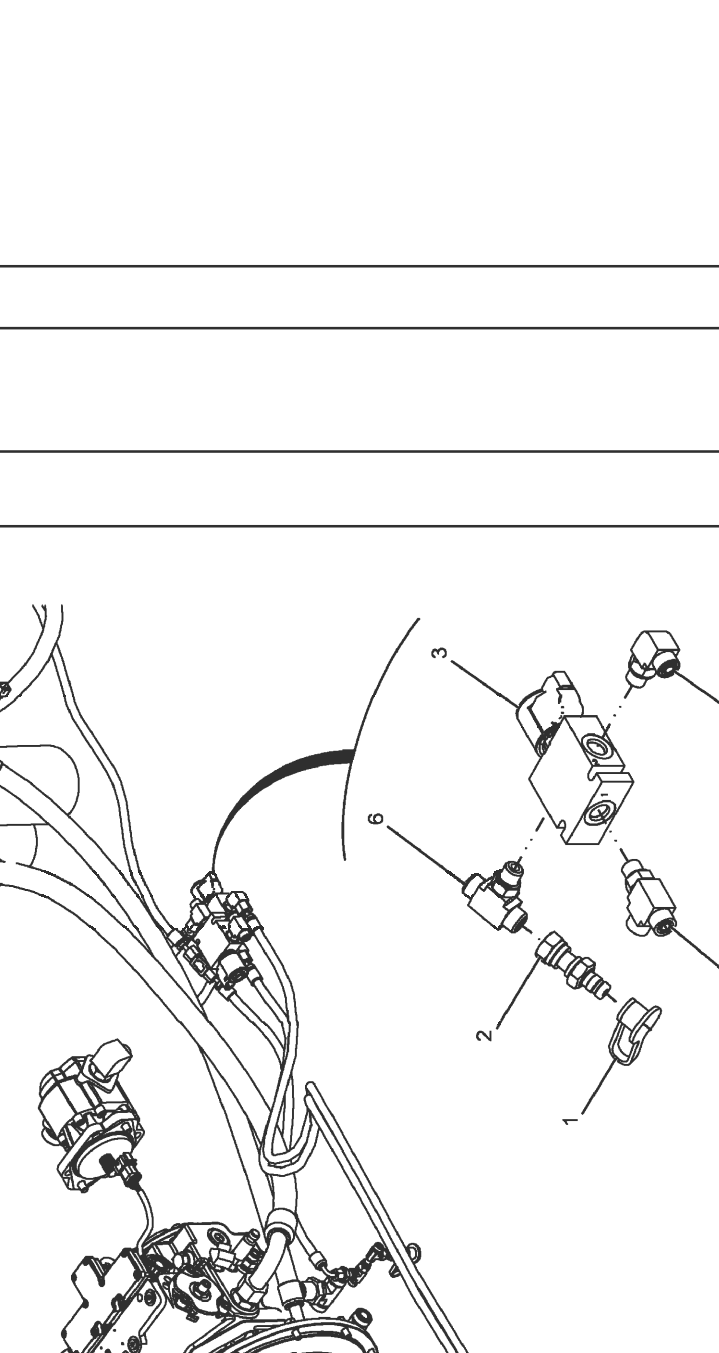
AIR CLEANER, PSD10, SHORT

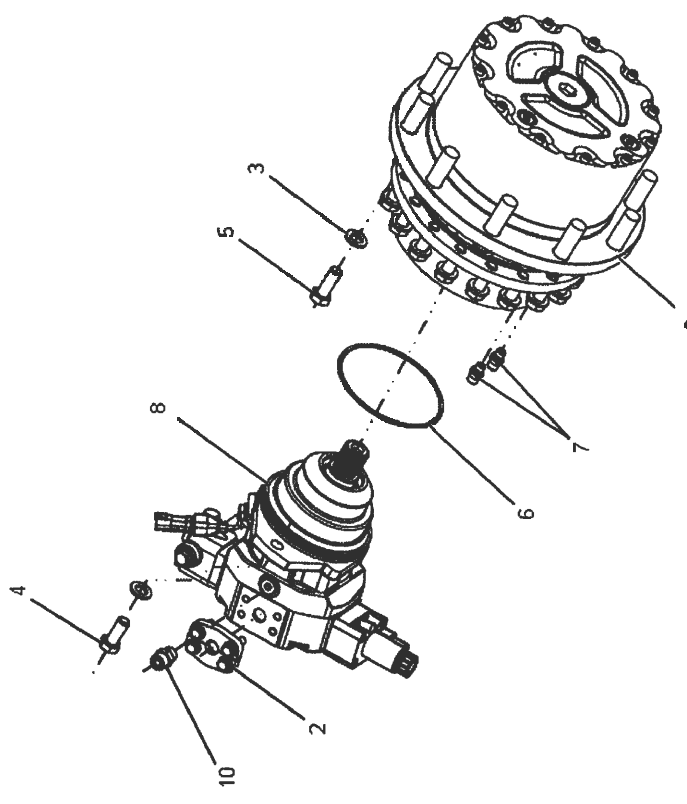
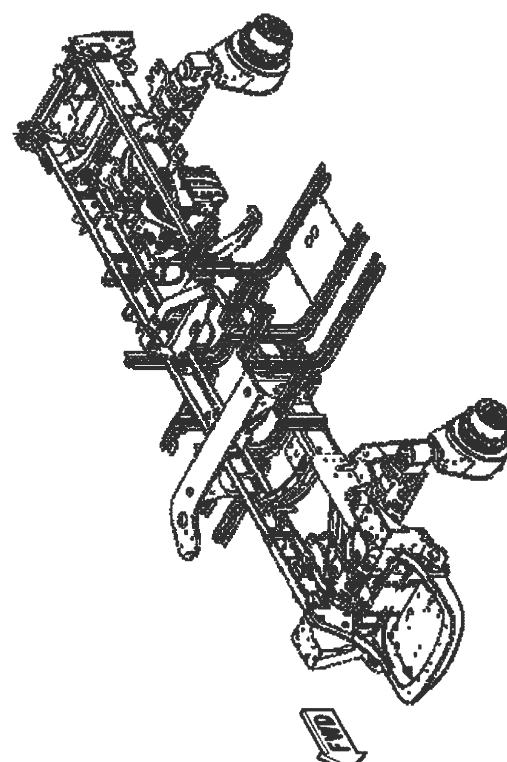


567586D1-3-AA269



Item	Description			60
RG700 ROGATOR CHASSIS (2014) STEERING SYSTEM ASSISTED STEERING HOSE KIT		1 2 3 4	0.50 0.50 0.50 0.50	HYDRAULIC HOSE HYDRAULIC HOSE HYDRAULIC HOSE HYDRAULIC HOSE 567068D1-2-AA669-

<p>RG700 ROGATOR CHASSIS (2014) AIR SYSTEM</p>	<p>Item</p>	<p>2 6</p>	<p></p>	<p>28 12 70 28 12 70</p>	<p></p>	<p>.50 .50</p>	<p>Description</p>	<p>70</p>
<p>CONTROL VALVE ASSEMBLY, FRONT, LEFT HAND</p>		<p>549119D1-1-Y175</p>						

<p>RG700 ROGATOR CHASSIS (2014) HYDRAULIC SYSTEM</p> <p>LADDER VALVE ASSEMBLY</p> <p>551858D1-2-AA144</p>	<p>Item</p> <p>2</p>	<p></p> <p>60 30 85</p>	<p></p> <p>0.25</p>	<p>Description</p> <p>PRESSURE TEST PORT FITTING</p> <p>551858D1-2-AA144-</p>	<p>80</p>
					

<p>RG700 ROGATOR CHASSIS (2014) HYDRAULIC SYSTEM</p>	<p>Item</p>	<p>8</p>			<p>Description</p>	<p>HYDRAULIC MOTOR 550093D1-5-AA681-</p>	<p>90</p>
	<p>22 20 92</p>	<p>2.00</p>					
<p>DRIVE WHEEL INSTALLATION, 71 INCH</p> <p>550093D1-5-AA681-</p>							

CLICK HERE TO **DOWNLOAD** THE COMPLETE MANUAL

- Thank you very much for reading the preview of the manual.
- You can download the complete manual from: www.heydownloads.com by clicking the link below



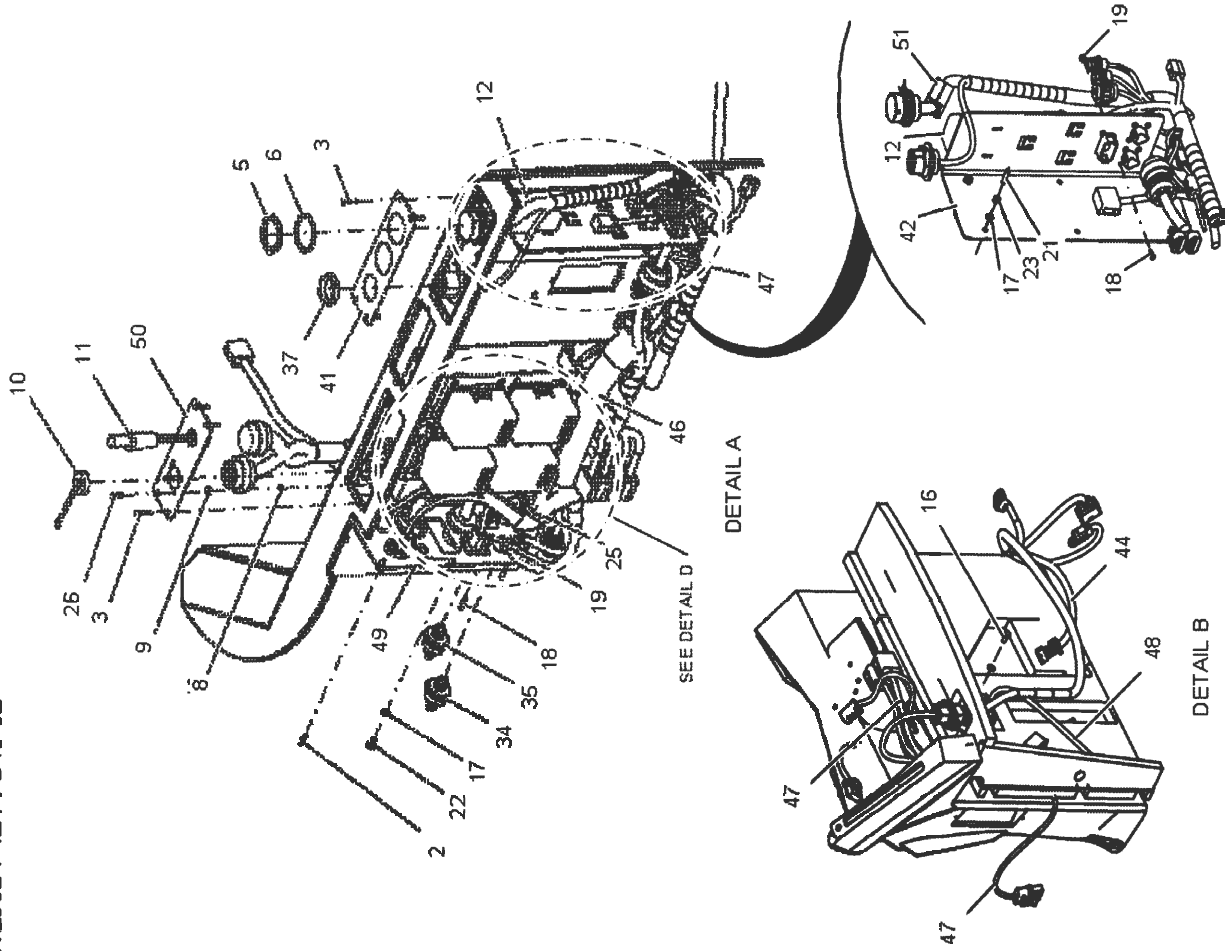
- Please note: If there is no response to CLICKING the link, please download this PDF first and then click on it.

CLICK HERE TO **DOWNLOAD** THE COMPLETE MANUAL

**RG700 ROGATOR CHASSIS (2014)
ELECTRICAL SYSTEM**

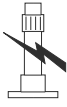
CAB ELECTRICAL INSTALLATION

551250D1-12-AA940-02



Item

- 11
- 12
- 47
- 48



- 14 01 27
- 60 20 02
- 14 01 12
- 14 17 01



- 0.50
- 1.0
- 2.00
- 0.50

Description

- LIGHTER
- RADAR
- CONSOLE HARNESS
- WIPER WIRE HARNESS

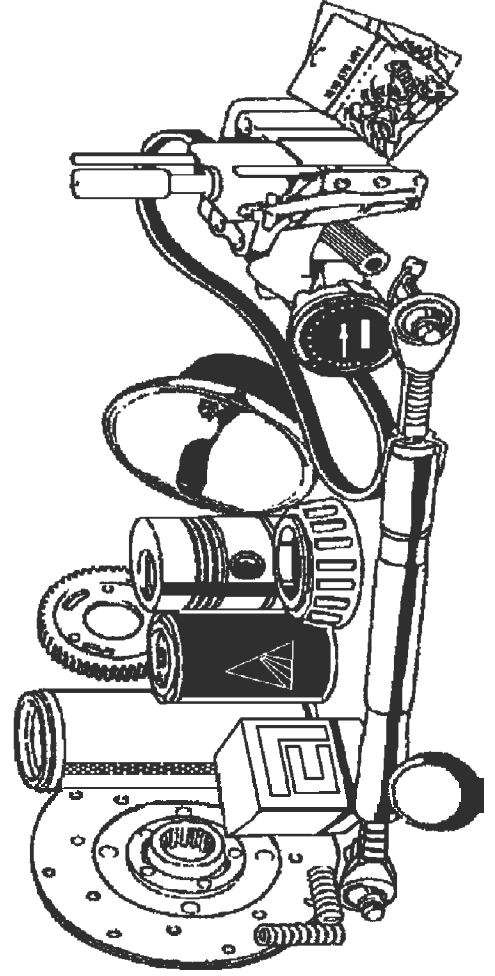
551250D1-12-AA940-02


100

**RG700 ROGATOR CHASSIS (2014)
ELECTRICAL SYSTEM**

ELECTRICAL INSTALLATION, BATTERY

**No Illustration
Available**

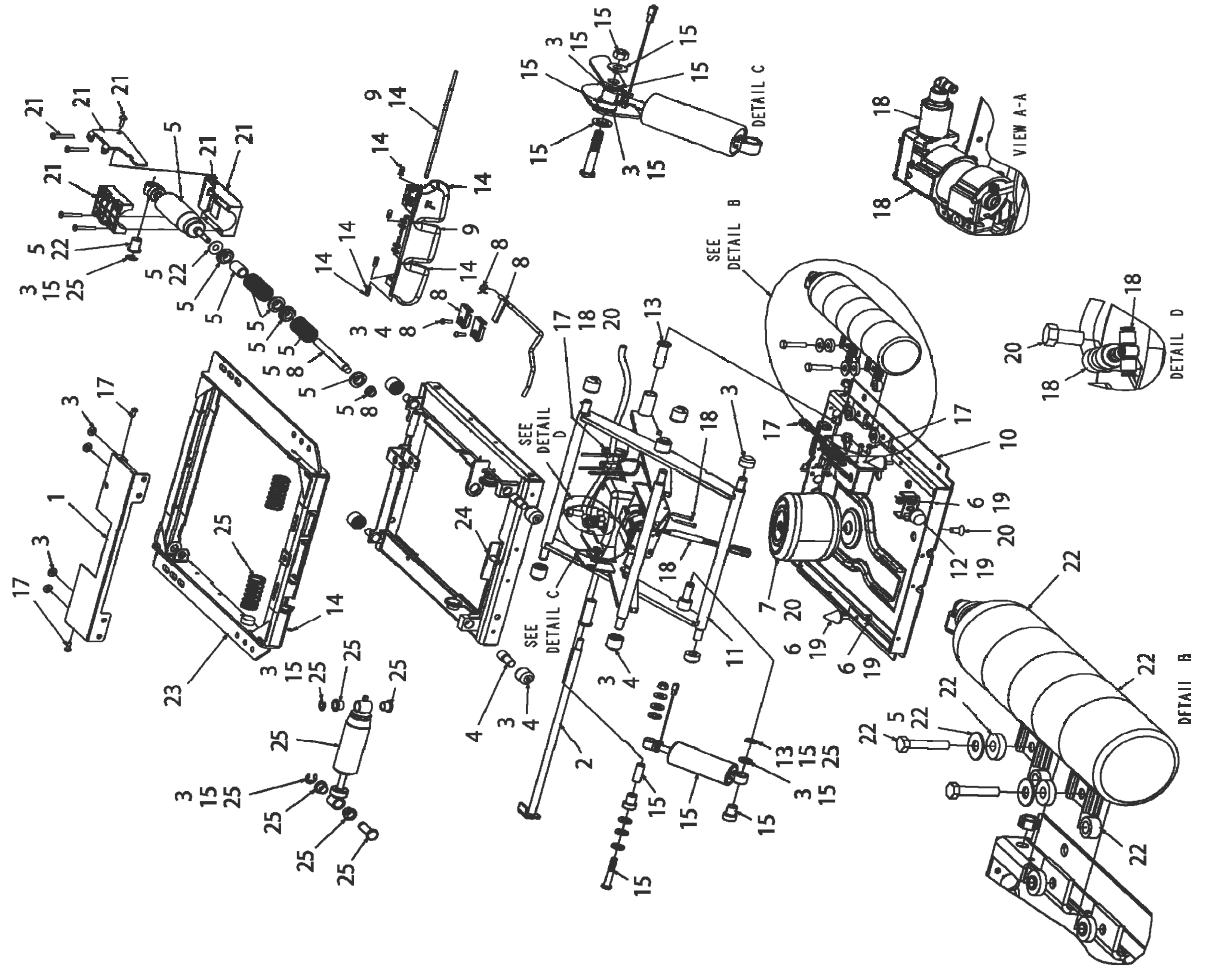


Item	Description	Description	110
 14 01 13 14 02 06 14 02 06 14 02 06 14 02 06	3 26 27 28	1.00 0.50 0.50 0.50 0.50 NO ILLUSTRATION AVAILABLE	BATTERY RELAY FUSE FUSE

RG700 ROGATOR CHASSIS (2014)
CAB

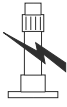
SUSPENSION KIT

568089D1-1-Z851



Item

- 1
- 2
- 3
- 4
- 5
- 6
- 7
- 8
- 9
- 12
- 14
- 15
- 17
- 18
- 19
- 20
- 22
- 25



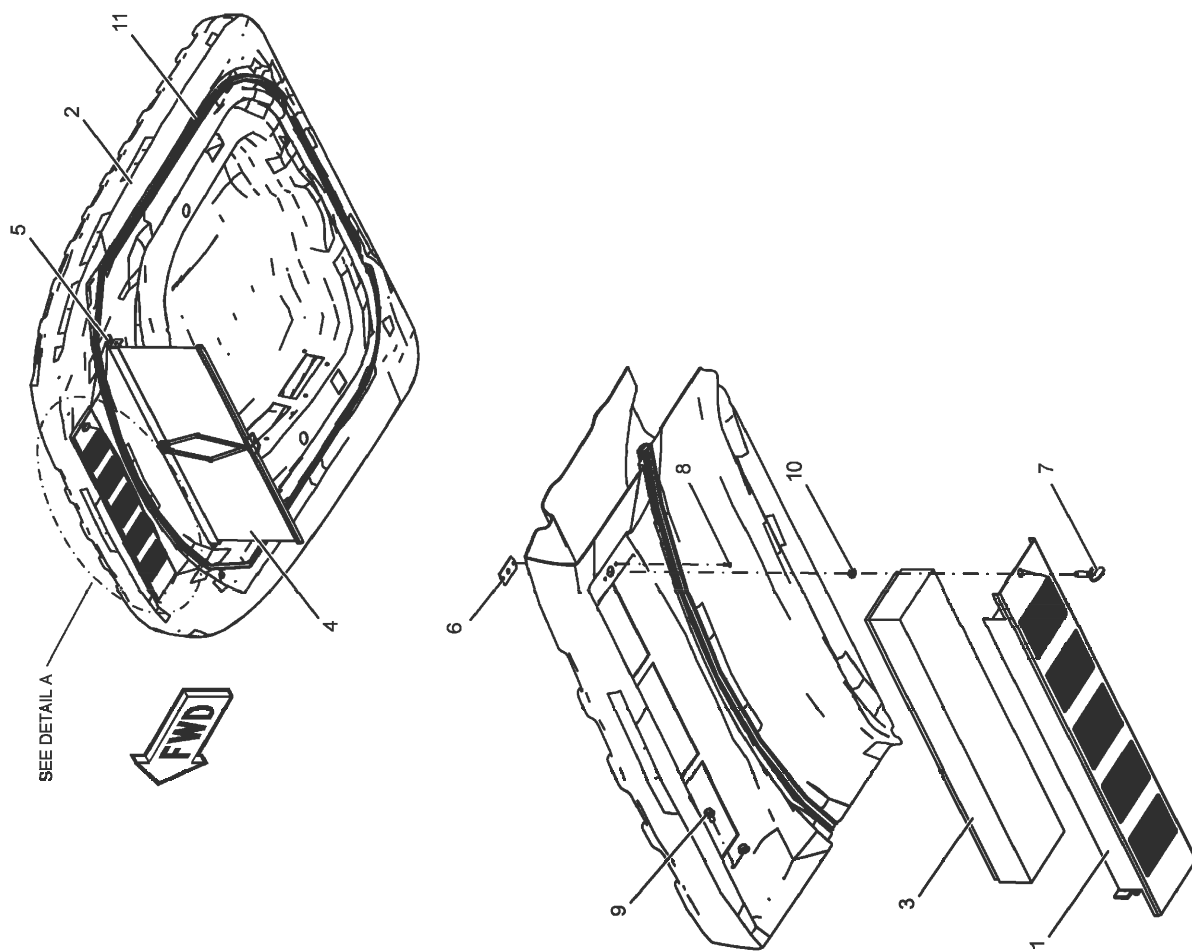


- 28 06 25
- 28 06 25
- 28 06 25
- 28 06 26
- 28 06 18
- 28 06 18
- 28 06 14
- 28 06 43
- 28 06 25
- 28 06 26
- 28 06 50
- 28 06 18
- 28 06 18
- 28 06 15
- 28 06 26
- 28 06 14
- 28 06 54
- 28 06 18



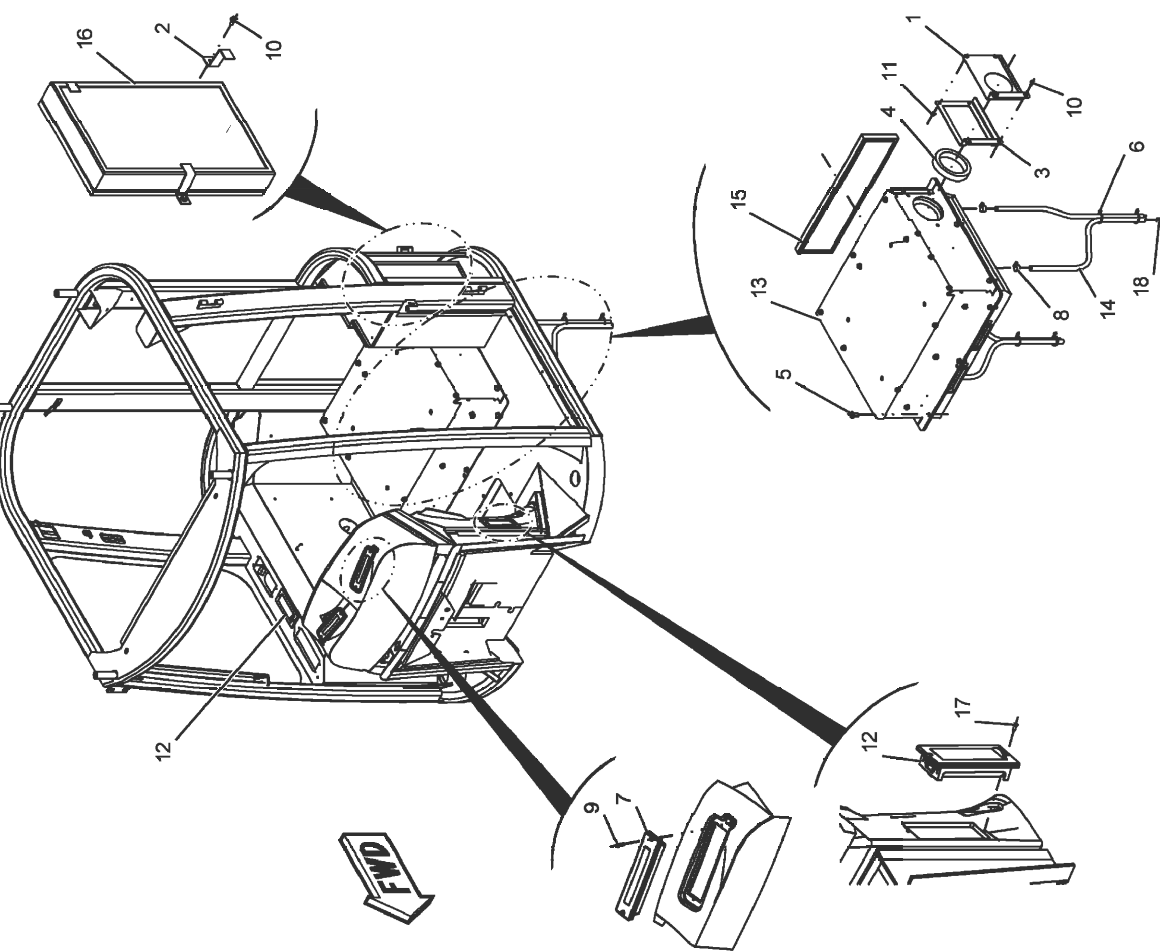
- 3.50
- 3.50
- 3.50
- 3.50
- 3.50
- 3.50
- 2.00
- 3.50
- 3.50
- 3.50
- 3.50
- 3.50
- 3.50
- 3.50
- 2.00
- 3.50
- 2.00
- 3.50
- 3.50



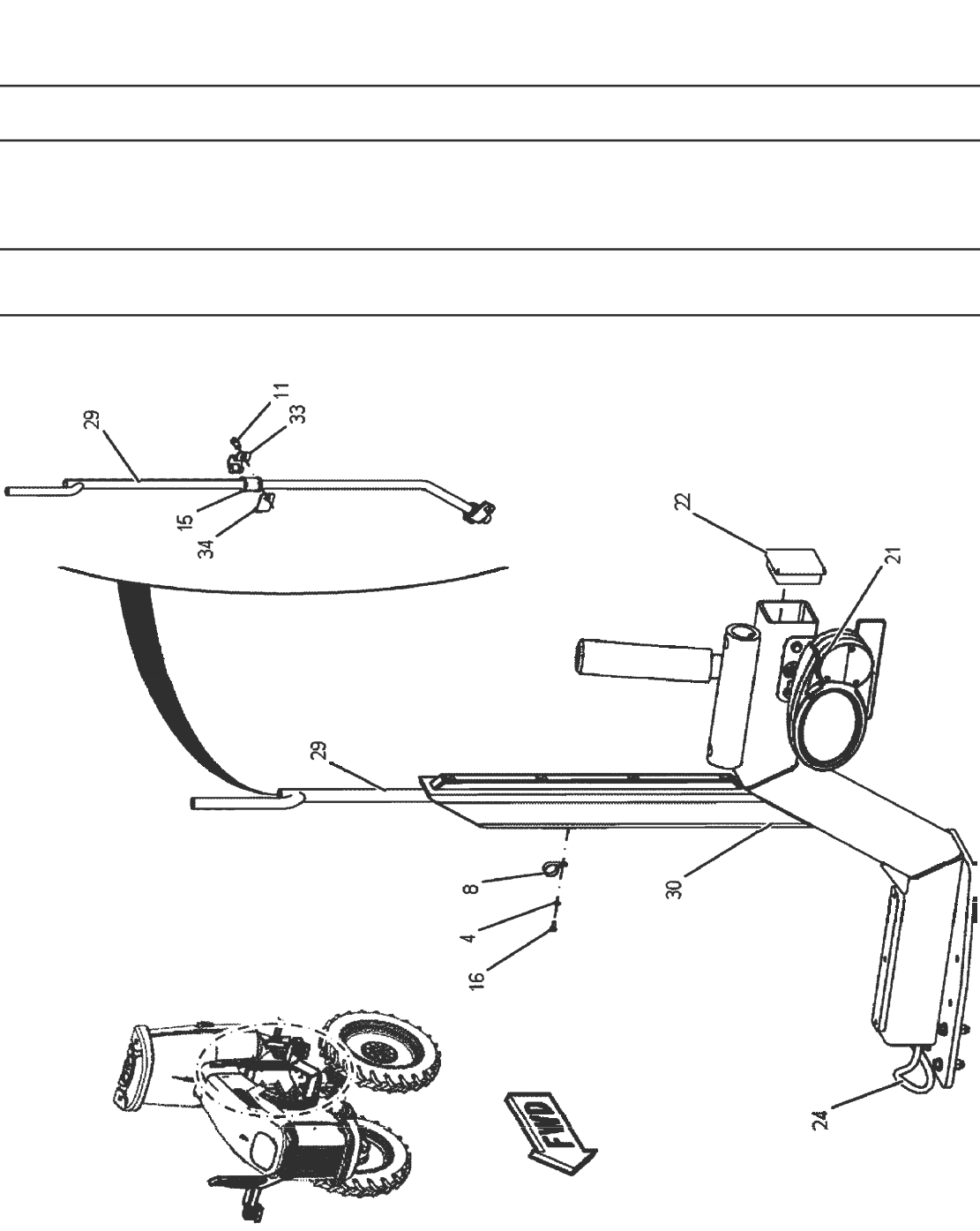
Description



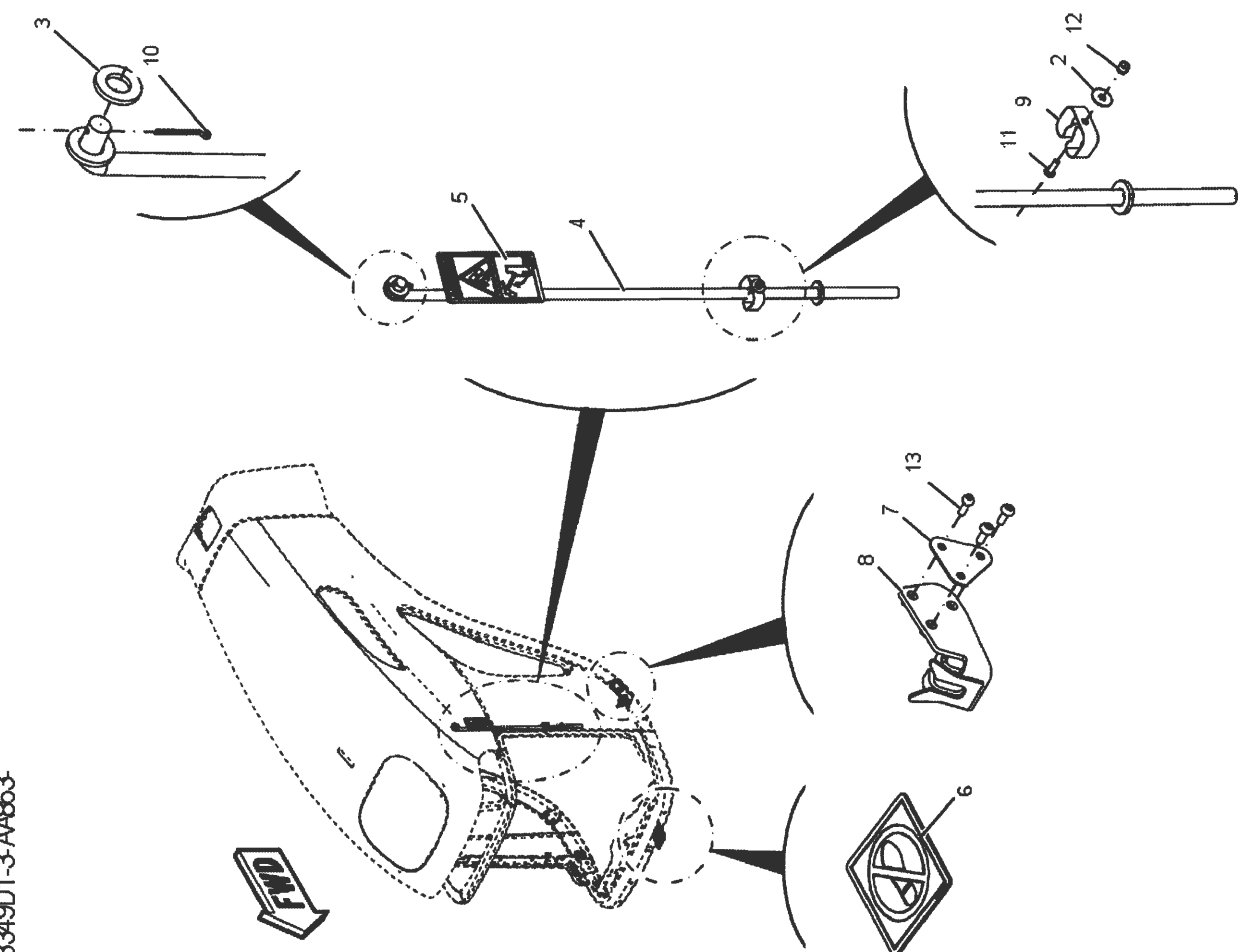
- COVER KIT
- KIT, SHAFT
- KIT, BEARING
- ROLLER KIT
- SPRING KIT
- BUMPERS KIT
- AIR SPRING KIT
- FORE AND AFT ISOLATOR SHOCK KIT
- CONTROL KIT
- BUMPER
- KIT, KNOBS
- SHOCK ABSORBER KIT
- DAMPER KIT
- KIT, COMPRESSOR
- SUSPENSION KIT
- SPRING KIT
- AIR TANK
- VIBRATION ISOLATOR

568089D1-1-Z851-

<p>RG700 ROGATOR CHASSIS (2014) CAB</p> <p>INNER ROOF GROUP</p> <p>552306D1-4-AA331</p> 	<p>Item</p> <p>2 4</p>	 <p>28 05 08 28 02 50</p>	 <p>1.50 0.75</p>	<p>Description</p> <p>INNER ROOF BLIND</p> <p>552306D1-4-AA331-</p>	<p>130</p>
---	-----------------------------------	--	--	--	-------------------

Item	Description	 	140
RG700 ROGATOR CHASSIS (2014) AIR CONDITIONING AND HEATING SYSTEM HVAC GROUP 564772D1-3-AA538	CONTROL UNIT CAB FILTER FILTER 564772D1-3-AA538-	4.00 0.50 0.50 15 02 03 28 12 82 28 12 82	

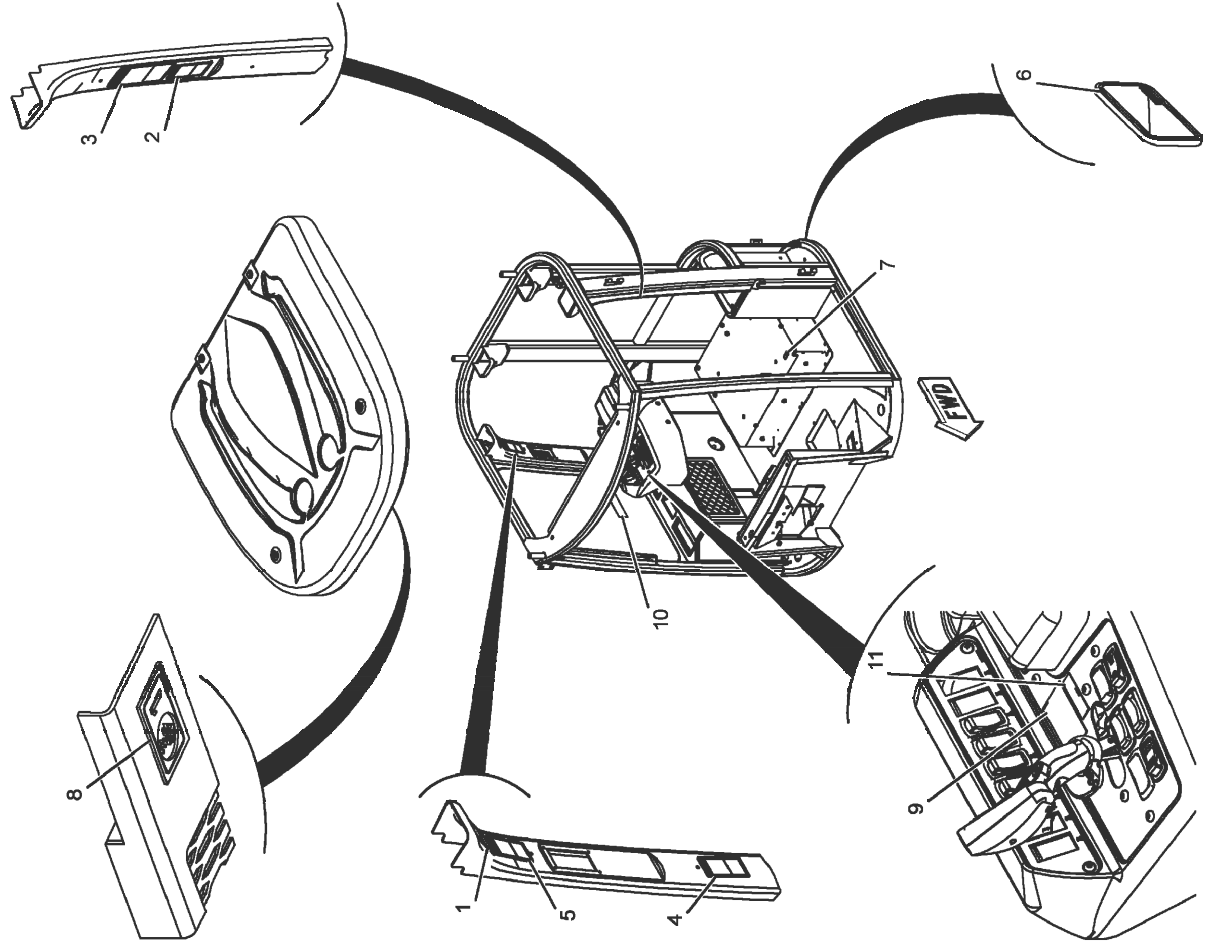
Item	Description	150	
21	RG700 ROGATOR CHASSIS (2014) CHASSIS BOOM REST INSTALLATION 572828D1-2-AA903-02	LIGHT	 0.50  14 02 20
			

Item	Description	160
 28 02 21 28 02 21	 0.25 0.25	WARNING DECAL WARNING DECAL 573349D1-3-AA863-
5 6	<p>RG700 ROGATOR CHASSIS (2014) CHASSIS</p> <p>HOOD SUPPORT GROUP</p> <p>573349D1-3-AA863-</p> 	

**RG700 ROGATOR CHASSIS (2014)
DECALS**

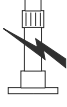
DECAL INSTALLATION, CAB

563681D1-4-AA538



Item

- 1
- 2
- 3
- 4
- 5
- 6
- 7
- 8
- 9
- 10
- 11



- 28 00 47
- 28 00 47
- 28 00 47
- 28 00 47
- 28 00 47
- 28 00 47
- 28 00 47
- 28 00 47
- 28 00 47
- 28 00 47
- 28 00 47



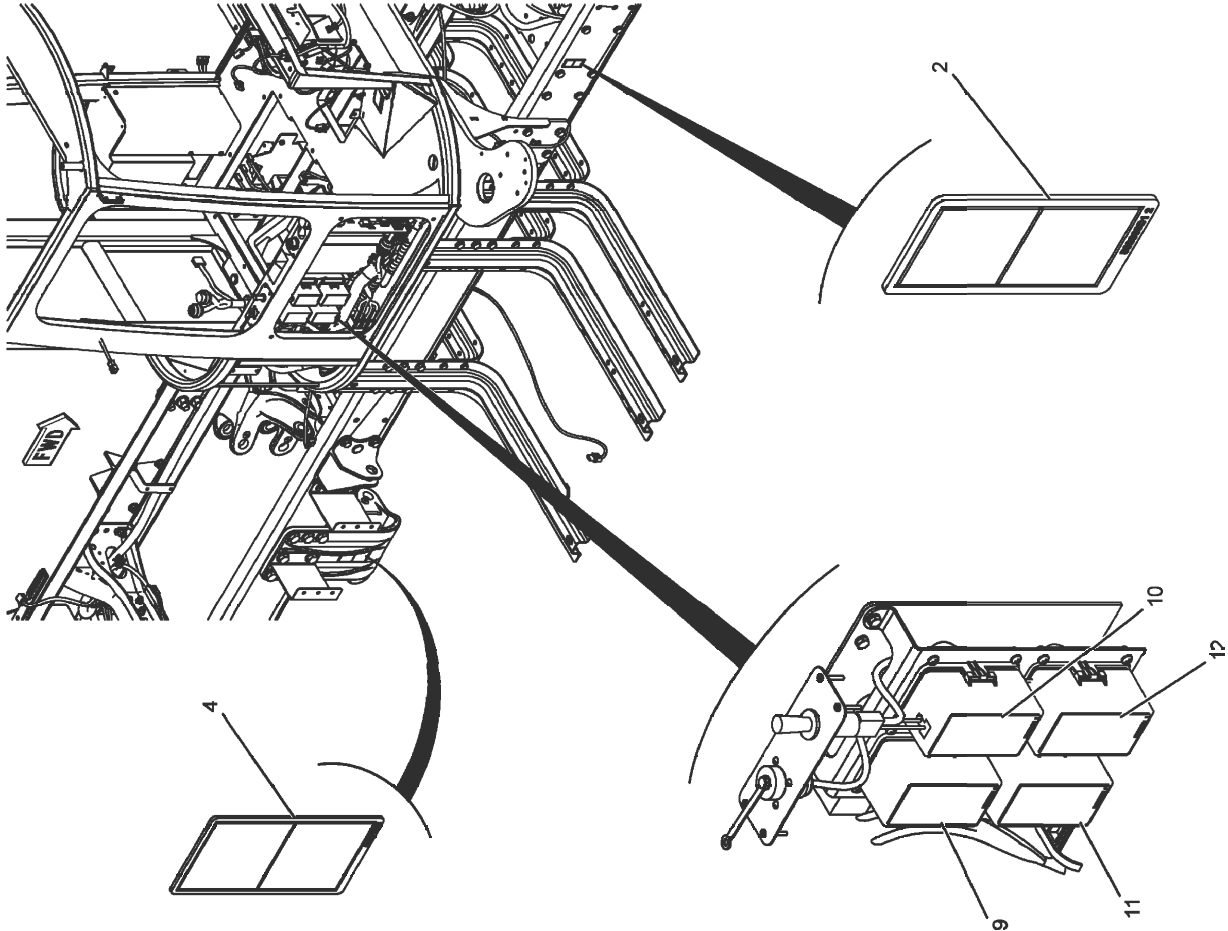
- 0.50
- 0.50
- 0.50
- 0.50
- 0.50
- 0.50
- 0.50
- 0.50
- 0.50
- 0.50
- 0.50

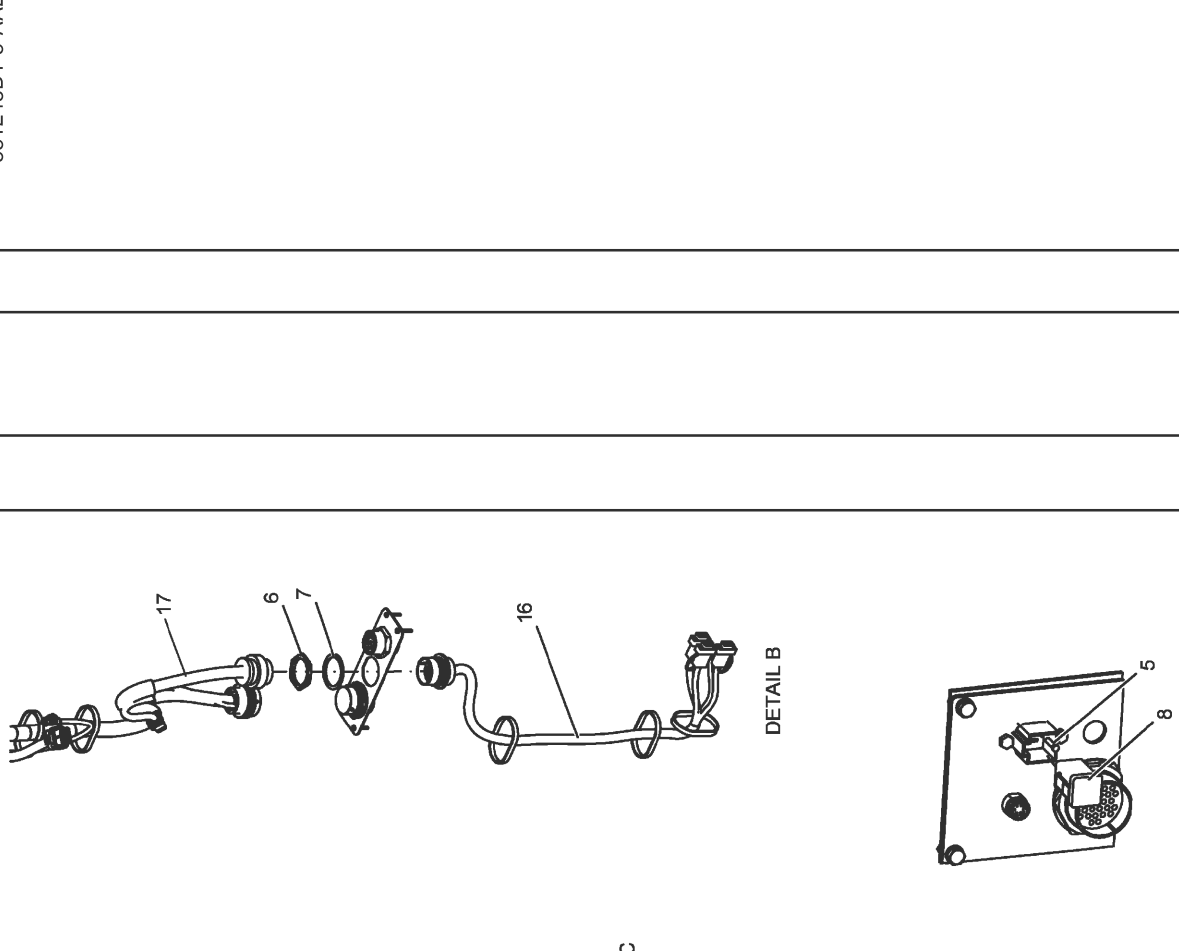




Description

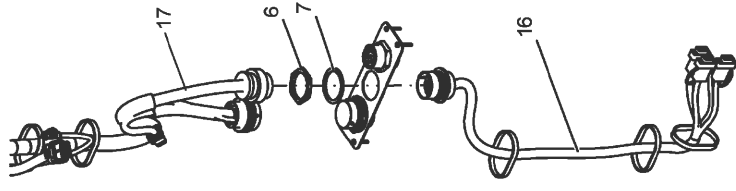
- DECAL, READ MANUAL
- DANGER DECAL
- DANGER DECAL
- DANGER DECAL
- DANGER DECAL
- DECAL
- DECAL
- DECAL, PARKING BRAKE
- DECAL
- DECAL
- DECAL

563681D1-4-AA538-

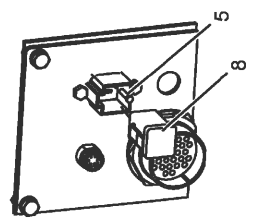
170

Item	Description	180
<p>RG700 ROGATOR CHASSIS (2014) DECALS</p> <p>DECAL INSTALLATION, ELECTRICAL</p> <p>563690D1-5-AA430-02</p> 	<p>DANGER DECAL DANGER DECAL DECAL DECAL, FUSE PANEL DECAL, FUSE BLOCK</p> <p>563690D1-5-AA430-02</p>	<p>0.50 0.50 0.50 0.50 0.50 0.50</p>
<p>2 4 9 10 11 12</p>	<p>28 00 47 28 00 47 28 00 47 28 00 47 28 00 47 28 00 47</p>	<p>0.50 0.50 0.50 0.50 0.50 0.50</p>

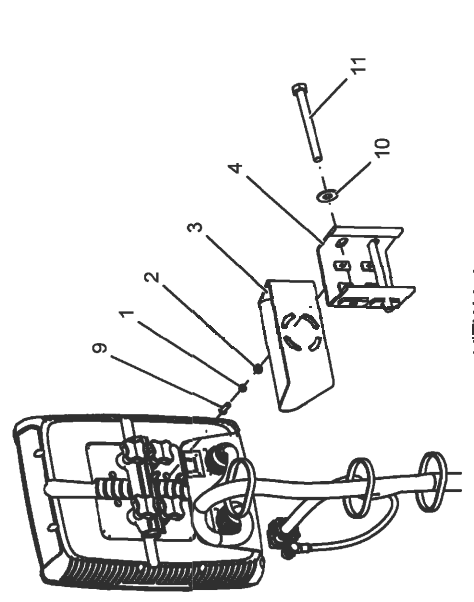
Item	Description	190
<p>RG700 ROGATOR CHASSIS (2014) CONTROLLER SYSTEM</p> <p>CONTROL INSTALLATION, RAVEN, VIPER</p> <p>551248D1-5-AA252</p> 	<p>VIPER PRO CONSOLE CONSOLE HARNESS</p> <p>551248D1-5-AA252-</p>	<p>60 35 28 14 16 05</p>
	<p>0.50 0.25</p>	
		
<p>13 17</p>		
		
		



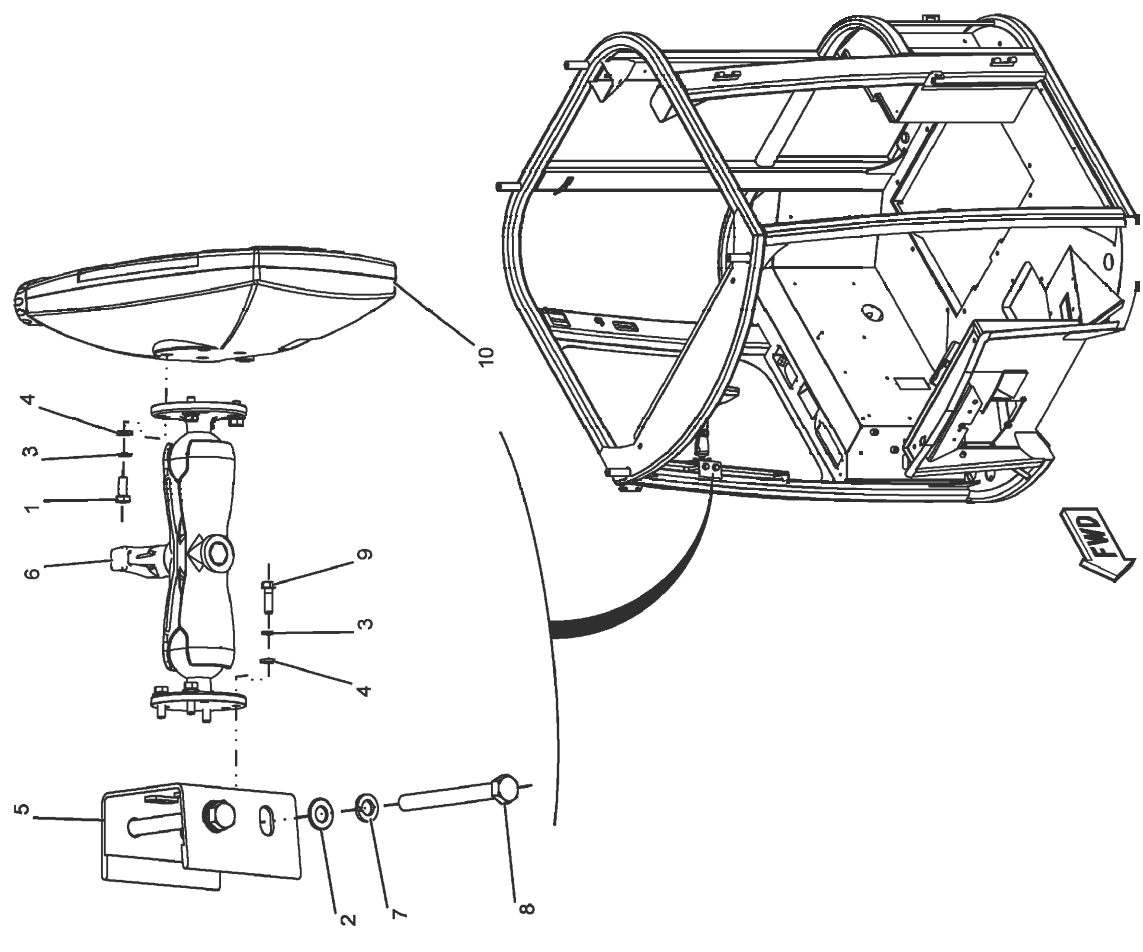
DETAIL B



VIEW C-C



VIEW A-A

Item	Description	200		60 35 28	0.50	<p>RG700 ROGATOR CHASSIS (2014) GUIDANCE SYSTEM</p> <p>A5 CONTROLLER INSTALLATION</p> <p>551747D1-4-AA021</p> 
10	C1000 CONSOLE		551747D1-4-AA021-			

CLICK HERE TO **DOWNLOAD** THE COMPLETE MANUAL

- Thank you very much for reading the preview of the manual.
- You can download the complete manual from: www.heydownloads.com by clicking the link below



- Please note: If there is no response to CLICKING the link, please download this PDF first and then click on it.

CLICK HERE TO **DOWNLOAD** THE COMPLETE MANUAL