



CLICK HERE TO **DOWNLOAD** THE COMPLETE MANUAL

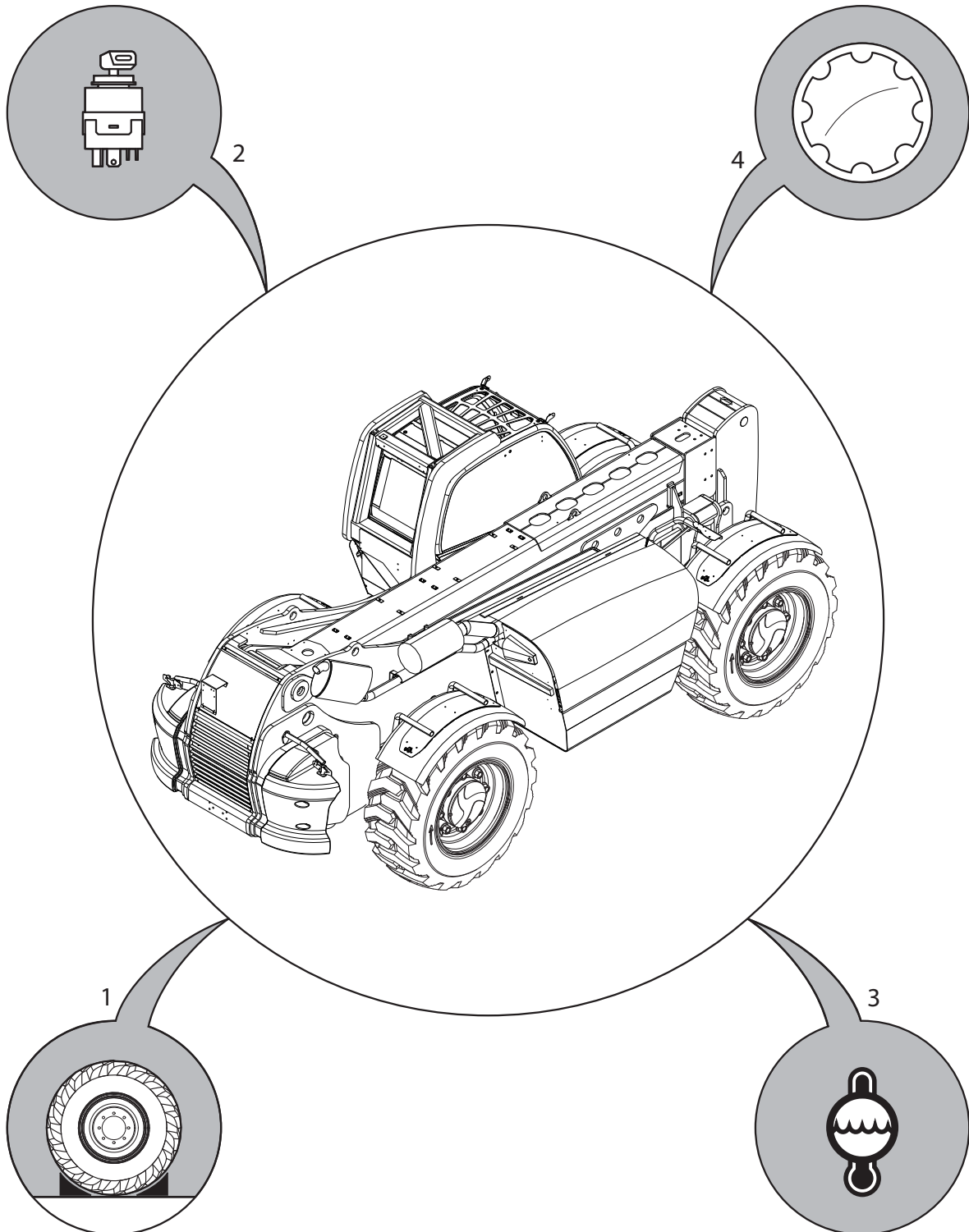
- Thank you very much for reading the preview of the manual.
- You can download the complete manual from: [www.heydownloads.com](http://www.heydownloads.com) by clicking the link below



- Please note: If there is no response to CLICKING the link, please download this PDF first and then click on it.

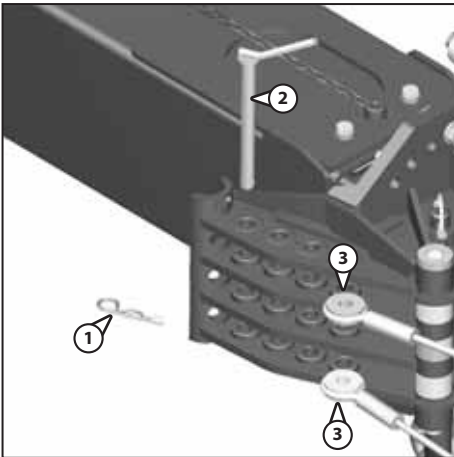
CLICK HERE TO **DOWNLOAD** THE COMPLETE MANUAL

## MAINTENANCE POSITION



### **Before any repair:**

- 1 - Place the machine on a flat surface and block the wheels.
- 2 - Turn the engine off and take the key out of the ignition switch.
- 3 - Let the machine cool down.
- 4 - Completely depressurize all relevant circuits.

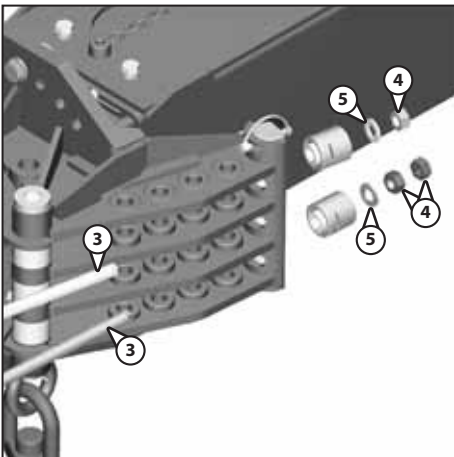


## HEAD REMOVAL

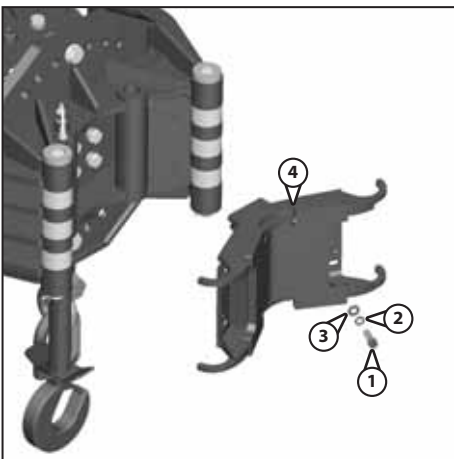
### CABLES REMOVAL

Remove the split pin (Ref. 1).

Remove the pin (Ref. 2) to release the cables lug (Ref. 3).

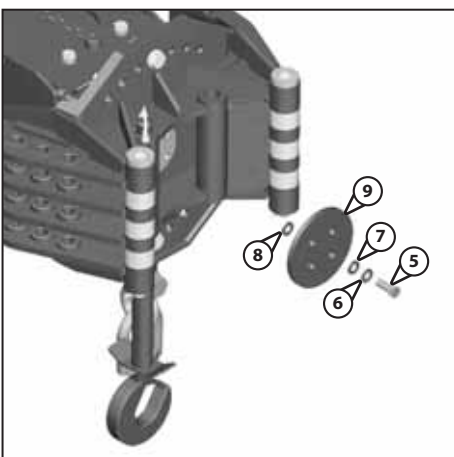


Loosen the screws (Ref. 4) and remove the washers (Ref. 5) and the cables (Ref. 3) from the head.

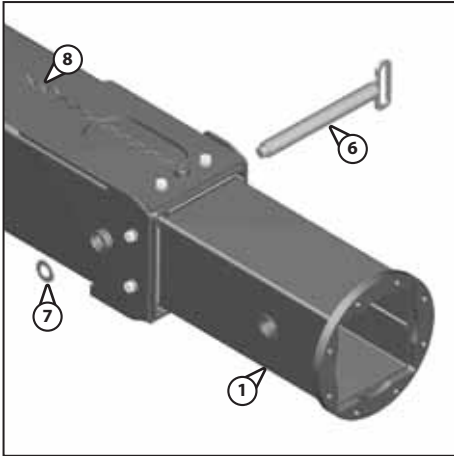


### HEAD REMOVAL

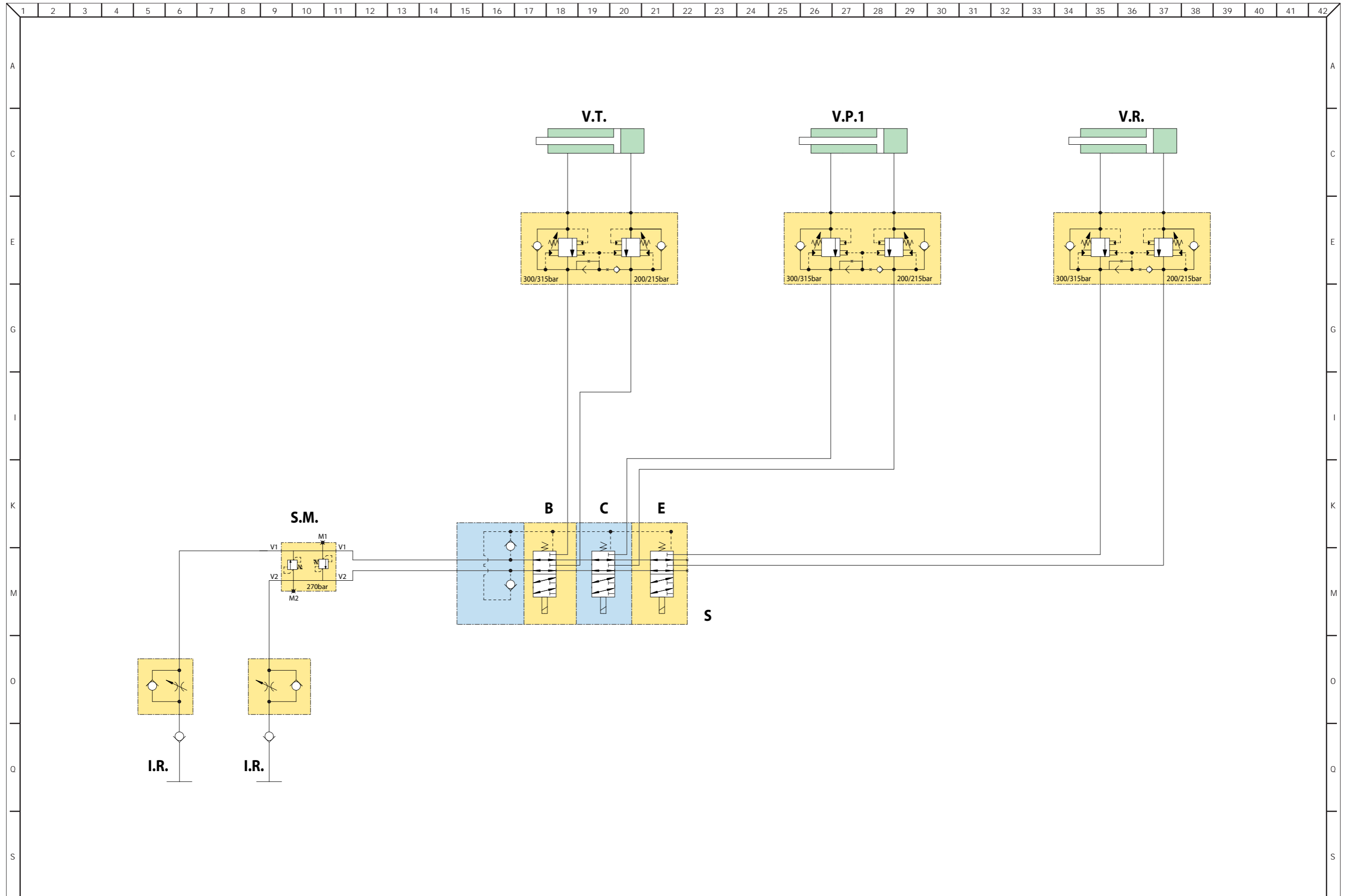
Loosen the screws (Ref. 1) and the washers (Ref. 2 and 3) and remove the adaptor (Ref. 4) (if present) from the head.

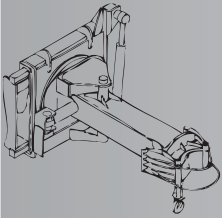


Loosen the screws (Ref. 5) and the washers (Ref. 6, 7 and 8) and remove the cover (Ref. 9).



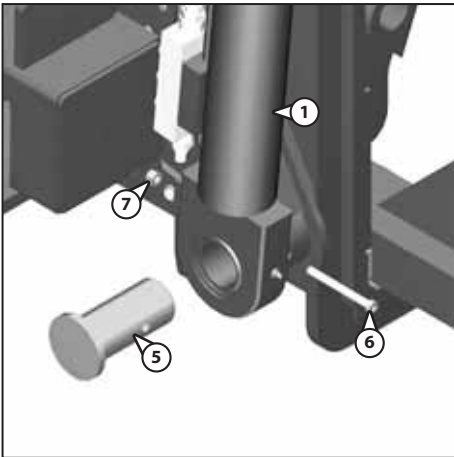
Reinsert the pin (Ref. 6) that locks the 2nd thread arm (Ref. 1) and the washer (Ref. 7) on the pin and reposition the split pin (Ref. 8).





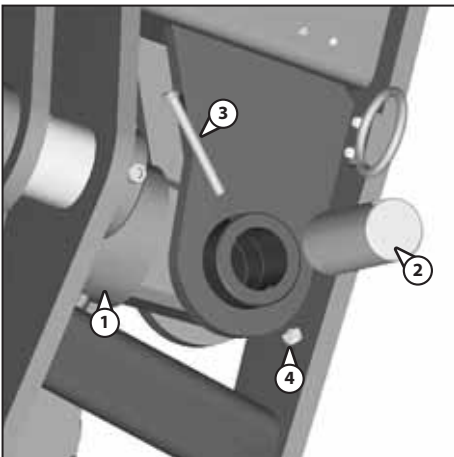
## HYDRAULIC COMPONENTS REMOVAL

	pages
<b>GENERAL INFORMATION</b> .....	<b>2</b>
<b>PREPARATION AND SAFETY INSTRUCTIONS</b> .....	<b>2</b>
<b>JACKS' REMOVAL</b> .....	<b>3</b>
– REMOVING THE JACK OF THE TRANSFER UNIT .....	3
– REMOVING THE ROTATION JACK .....	4
– ARM INCLINATION JACK REMOVAL .....	5
<b>SELECTOR REMOVAL</b> .....	<b>5</b>
<b>VALVE REMOVAL</b> .....	<b>6</b>
– REMOVING THE MAXIMUM PRESSURE VALVE .....	6
– REMOVING THE TRANSFER UNIT JACK BLOCK VALVE.....	6
– REMOVING THE ROTATION JACK BLOCK VALVE.....	6
– REMOVING THE ARM INCLINATION JACK BLOCK VALVE.....	6



Insert the pin (Ref. 5) that locks the bottom of the rotation jack (Ref. 1).

Fasten the screws (Ref. 6) and the nut (Ref. 7).

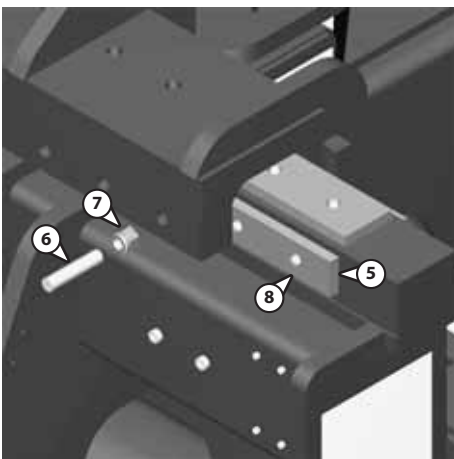


### **REINSERTING THE JACK OF THE TRANSFER UNIT**

Use a cantilever crane to reposition the jack (Ref. 1) on the transfer unit.

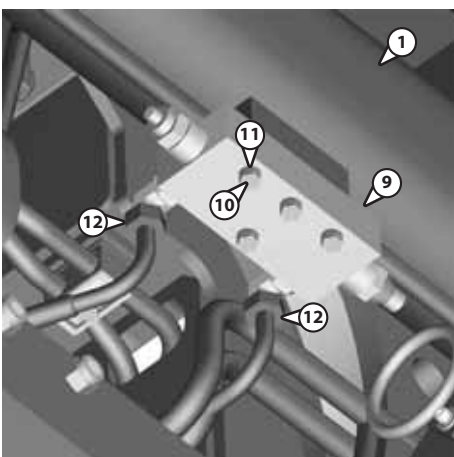
Lock the bottom of the jack reinsert the pin (Ref. 2) in its housing, fastening the screws (Ref. 3) and the nut (Ref. 4).

Use cables and overhead crane to completely fasten the coupling to the transfer unit.



Reinsert the slides (Ref. 5) with the corresponding shims (Ref. 8), paying attention to follow the marks made during the installation phase, fastening the grub screws (Ref. 6) until they reach their limit.

Then loosen the grub screws (Ref. 6) by one rotation and fasten the nuts (Ref. 7).

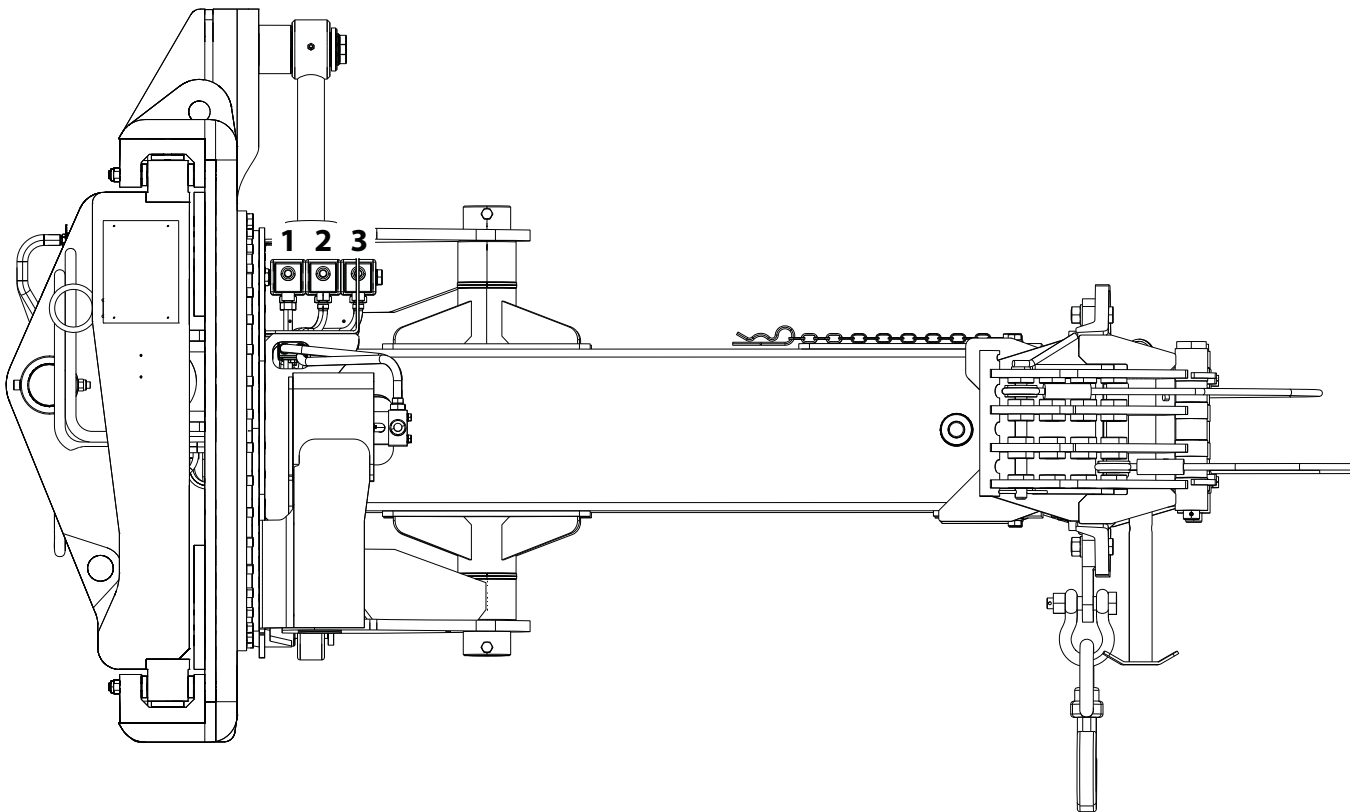


Reinsert the lock valve (Ref. 9) on the jack (Ref. 1) fastening the screws (Ref. 10) and the washers (Ref. 11).

Before reinserting the tubes (Ref. 12), connect two fast couplings to the fittings installed on the valve (Ref. 9) and connect the hydraulic control unit.

**POSITION OF ELECTRIC COMPONENTS OF 3-ELEMENT SELECTOR FOR CODE 911968**

<i>Electric components</i>	
<i>Ref.</i>	<i>Description</i>
1	Transfer solenoid valve
2	Arm inclination solenoid valve
3	Rotation solenoid valve



CLICK HERE TO **DOWNLOAD** THE COMPLETE MANUAL

- Thank you very much for reading the preview of the manual.
- You can download the complete manual from: [www.heydownloads.com](http://www.heydownloads.com) by clicking the link below



- Please note: If there is no response to CLICKING the link, please download this PDF first and then click on it.

CLICK HERE TO **DOWNLOAD** THE COMPLETE MANUAL