



END

TABLE OF CONTENTS

Preliminary Remarks

1 Description

- 1.1 Safety notes
- 1.2 Rating plate

2 Repair Work

- 2.1 Bellows – removal, installation
 - 2.1.1 Bellow attached to the upper part of the spring system – removal, installation
 - 2.1.2 Bellows screwed to the upper part of the spring system – removal, installation
- 2.2 Vertical shock absorber – removal, installation
 - 2.2.1 Vertical shock absorber (oval tube absorber) – removal, installation
 - 2.2.2 Vertical shock absorber (separating piston shock absorber) – removal, installation
- 2.3 Weight display – removal, installation of the entire assembly
- 2.4 Weight adjustment – removal, installation of the entire assembly

CLICK HERE TO **DOWNLOAD** THE COMPLETE MANUAL

- Thank you very much for reading the preview of the manual.
- You can download the complete manual from: www.heydownloads.com by clicking the link below



- Please note: If there is no response to CLICKING the link, please download this PDF first and then click on it.

CLICK HERE TO **DOWNLOAD** THE COMPLETE MANUAL

2 Repair Work

Page 1 of 3



TABLE OF CONTENTS

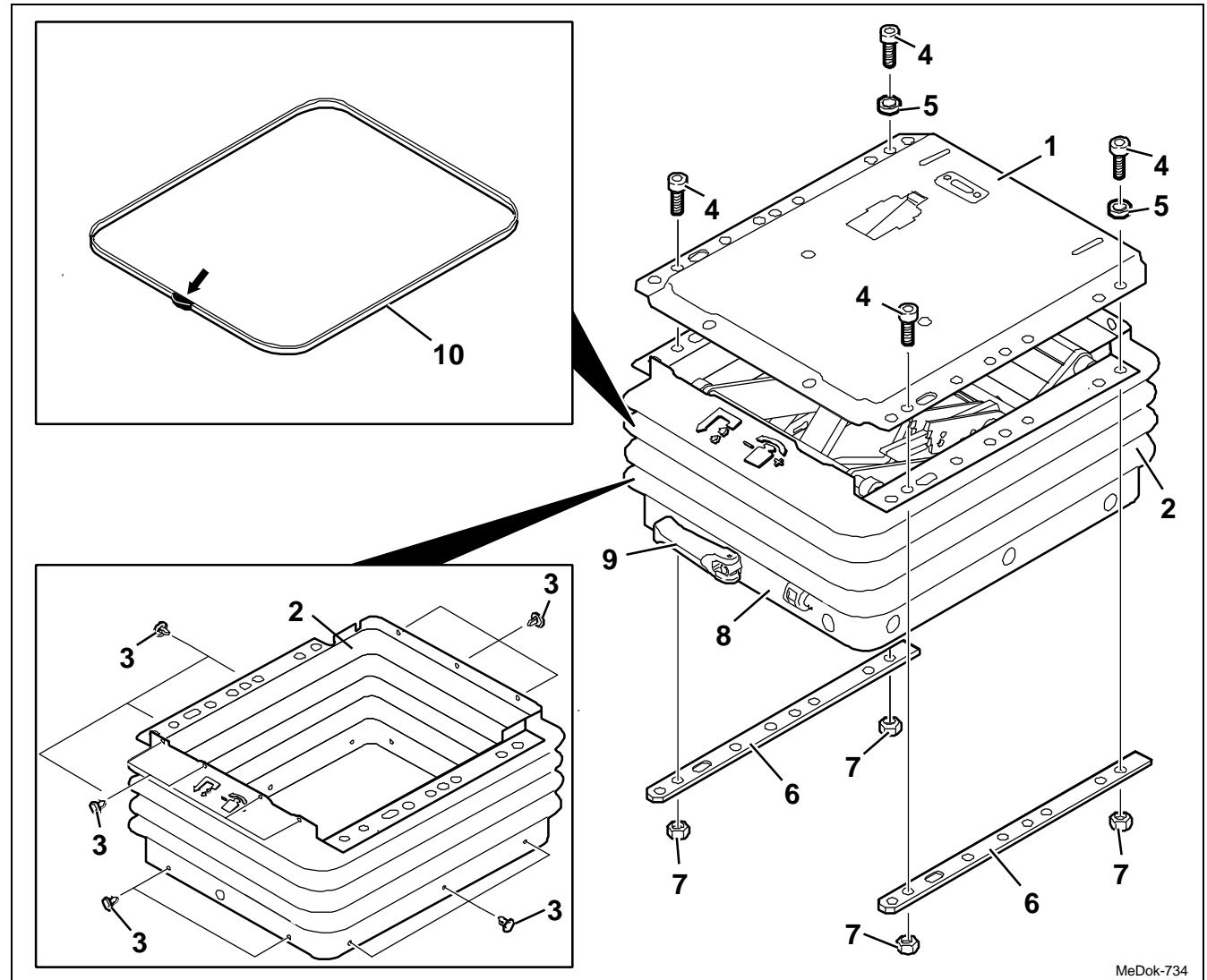
- 2.1 Bellows – removal, installation
 - 2.1.1 Bellow attached to the upper part of the spring system – removal, installation
 - 2.1.2 Bellows screwed to the upper part of the spring system – removal, installation
- 2.2 Vertical shock absorber – removal, installation
 - 2.2.1 Vertical shock absorber (oval tube absorber) – removal, installation
 - 2.2.2 Vertical shock absorber (separating piston shock absorber) – removal, installation
- 2.3 Weight display – removal, installation of the entire assembly
- 2.4 Weight adjustment – removal, installation of the entire assembly
- 2.5 Fore/aft isolator unit – removal, installation (delivery option)
- 2.6 Longitudinal horizontal shock absorber – removal, installation (delivery option)
- 2.7 Locking element of the longitudinal horizontal shock absorber, right, left – removal, installation (delivery option)
- 2.8 Linking rods and levers for the horizontal spring unit – removal, installation (delivery option)
- 2.9 Checking the fore/aft isolator
- 2.10 Seat fore/aft adjustment ,complete – removal, installation (delivery option)

2.1.2 Bellows screwed to the upper part of the spring system – removal, installation

REMOVAL/INSTALLATION

TABLE OF CONTENTS

- 4 Remove seven bellows pins (3) in the upper part of the spring system (1) in the front and back.
- 5 Remove eleven bellows pins (3) from the lower part of the spring (8).
Note:
Tilt the lower part of the spring system (8) to the side for easier removal of the bellows pins (3).
- 6 Pull the bellows (2) over the weight adjustment toggle (9) and lay them down on the lower part of the spring system (8).
Installation note:
If there is a weight adjustment knob or crank (9), tear open the pre-determined breaking point in the bellows (2).
- 7 Remove bellows (2) over the spring system.



MeDok-734

2.3 Weight display – removal, installation of the entire assembly

Page 3 of 3

REMOVAL/INSTALLATION

TABLE OF CONTENTS



- 4 Remove the locking plug (3) from the spring bracket (2) and pull it out of the weight indicator ribbon (5).

Installation note:

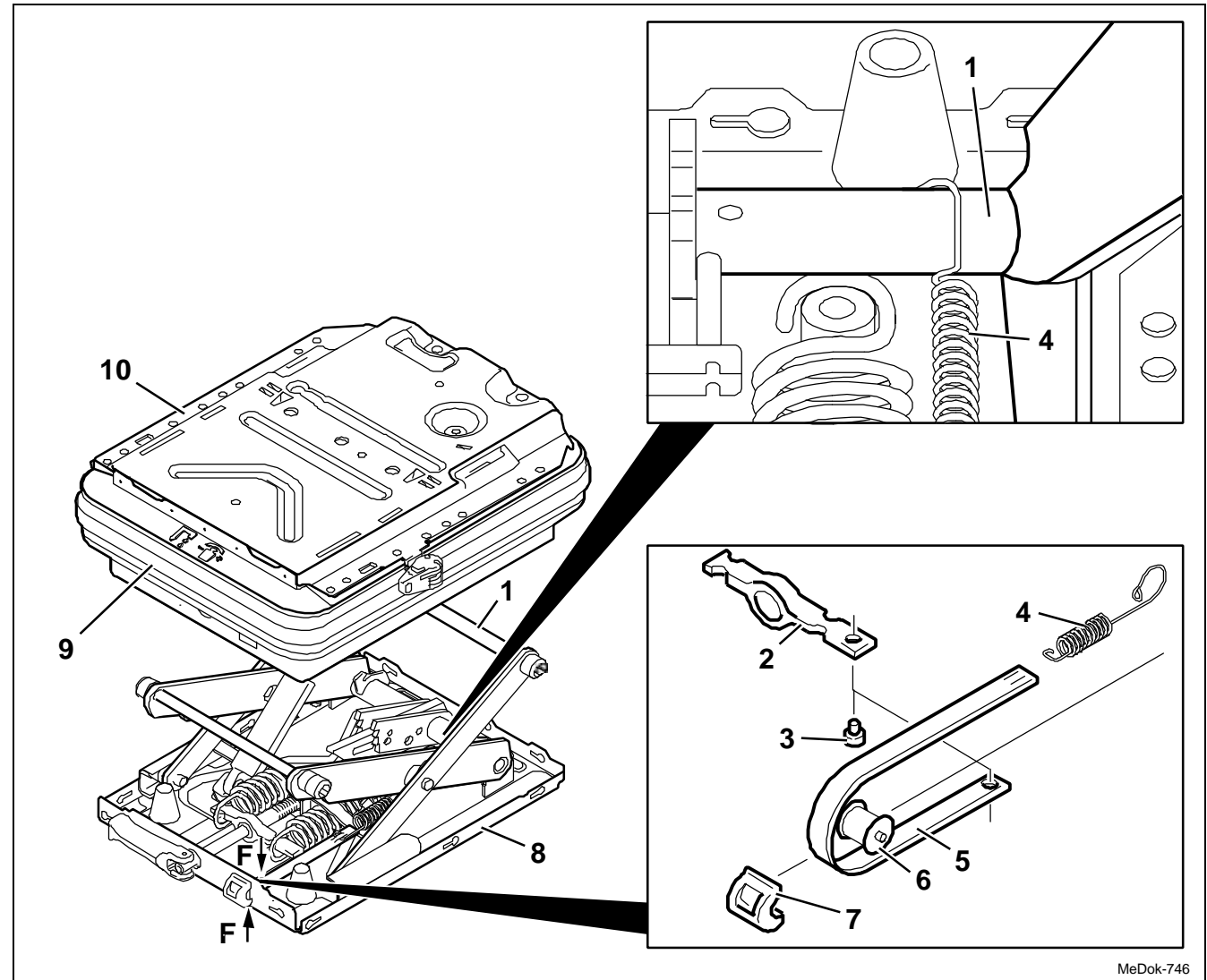
For the installation of the locking plug (3), knock on the spring bracket (2) diagonally from above.

- 5 Remove display window (7) from the lower part of the spring system (8), remove roller (6) and weight indicator ribbon (5).

Installation note:

Grease running surfaces (F) for the locking plug (3) and opening (F) for the display window (7) in the lower part of the spring system with an acid-free multi-purpose lubricant.

- 6 Re-install the components in the reverse order of their removal.



MeDok-746

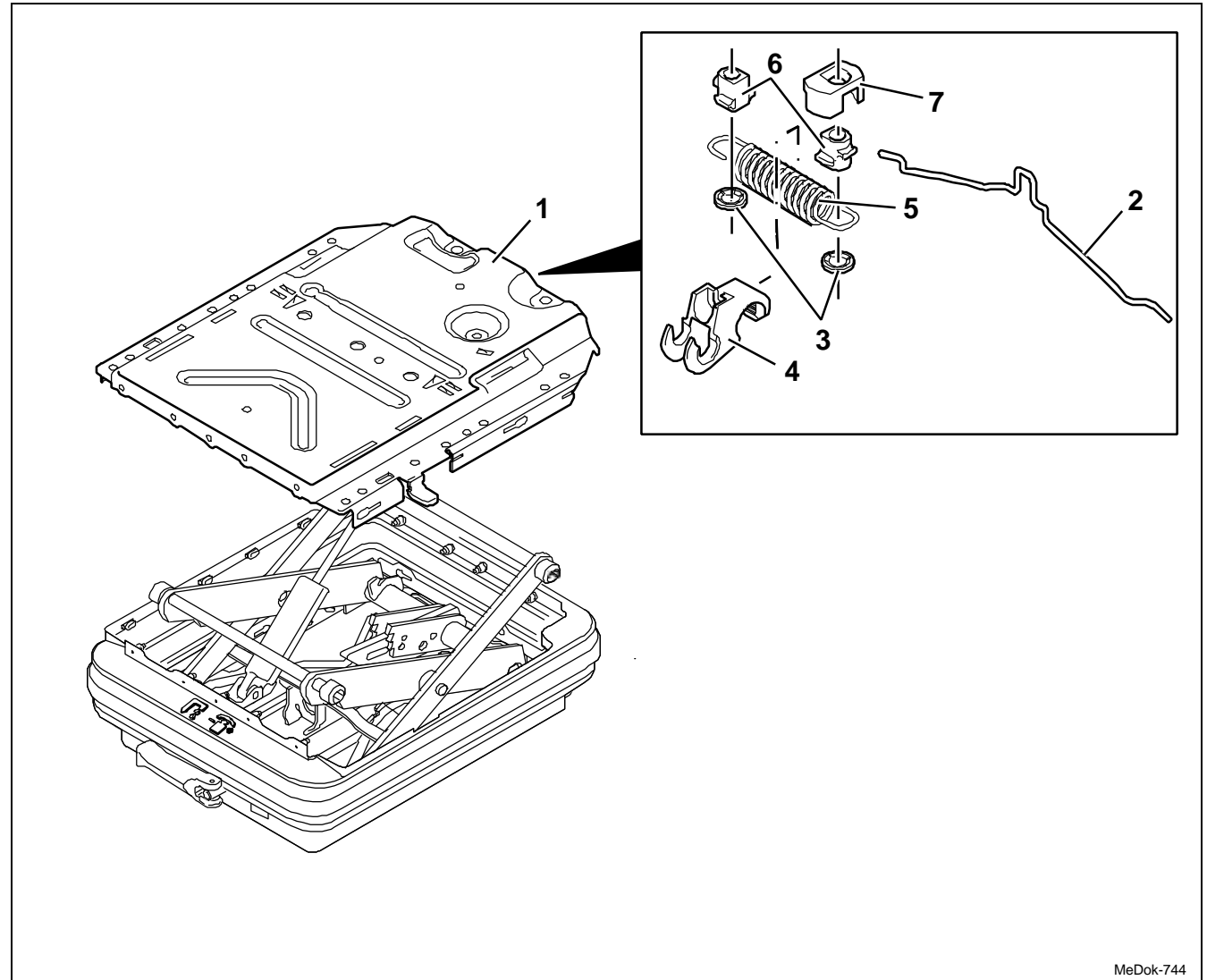
2.5 Fore/aft isolator unit – removal, installation (delivery option)

REMOVAL/INSTALLATION

TABLE OF CONTENTS



- (1) Upper part of the spring system
- (2) Hook
- (3) Axial locking rings
- (4) Clamp
- (5) Fore/aft isolator unit
- (6) Bushing
- (7) Buffer



MeDok-744

2.8 Linking rods and levers for the horizontal spring unit – removal, installation (delivery option)

REMOVAL/INSTALLATION

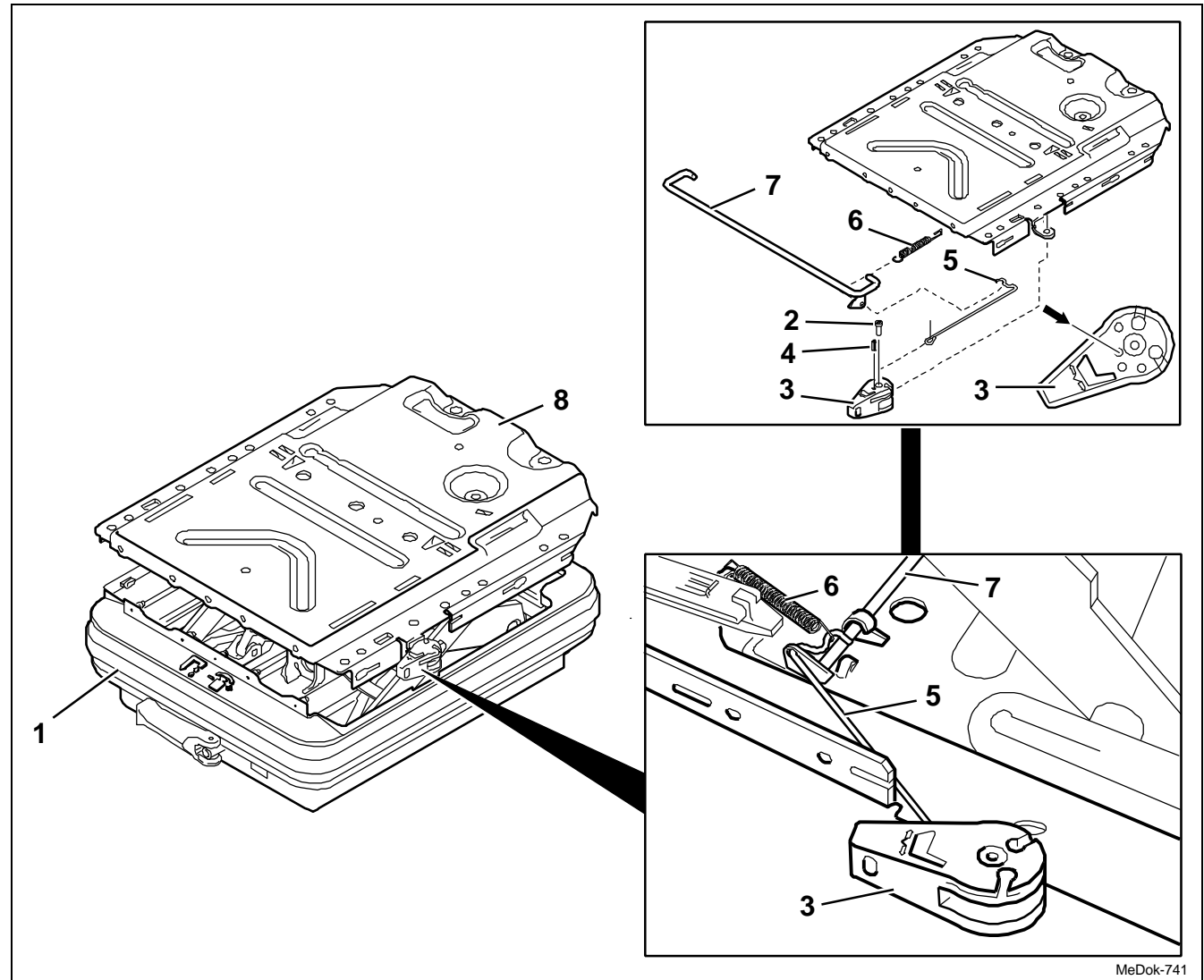
TABLE OF CONTENTS

- 5 Knock out the dowel pin (4) and take the lever (3) off the linking rod (5).

Installation note:

Drive in the dowel pin (4) only so far (see arrow) that front surface is flush with the outer surface of the handle.

- 6 Re-install the components in the reverse order of their removal.



MeDok-741

2.11.2 Webbing for spring system with height adjustment (secondary belt) – removal, installation (delivery option)

Page 3 of 3



REMOVAL/INSTALLATION

TABLE OF CONTENTS

- 5 Bore out rivet head and drive out blind rivet (6). Pull strip (5) out of the loop of the webbing (4).

Installation note:

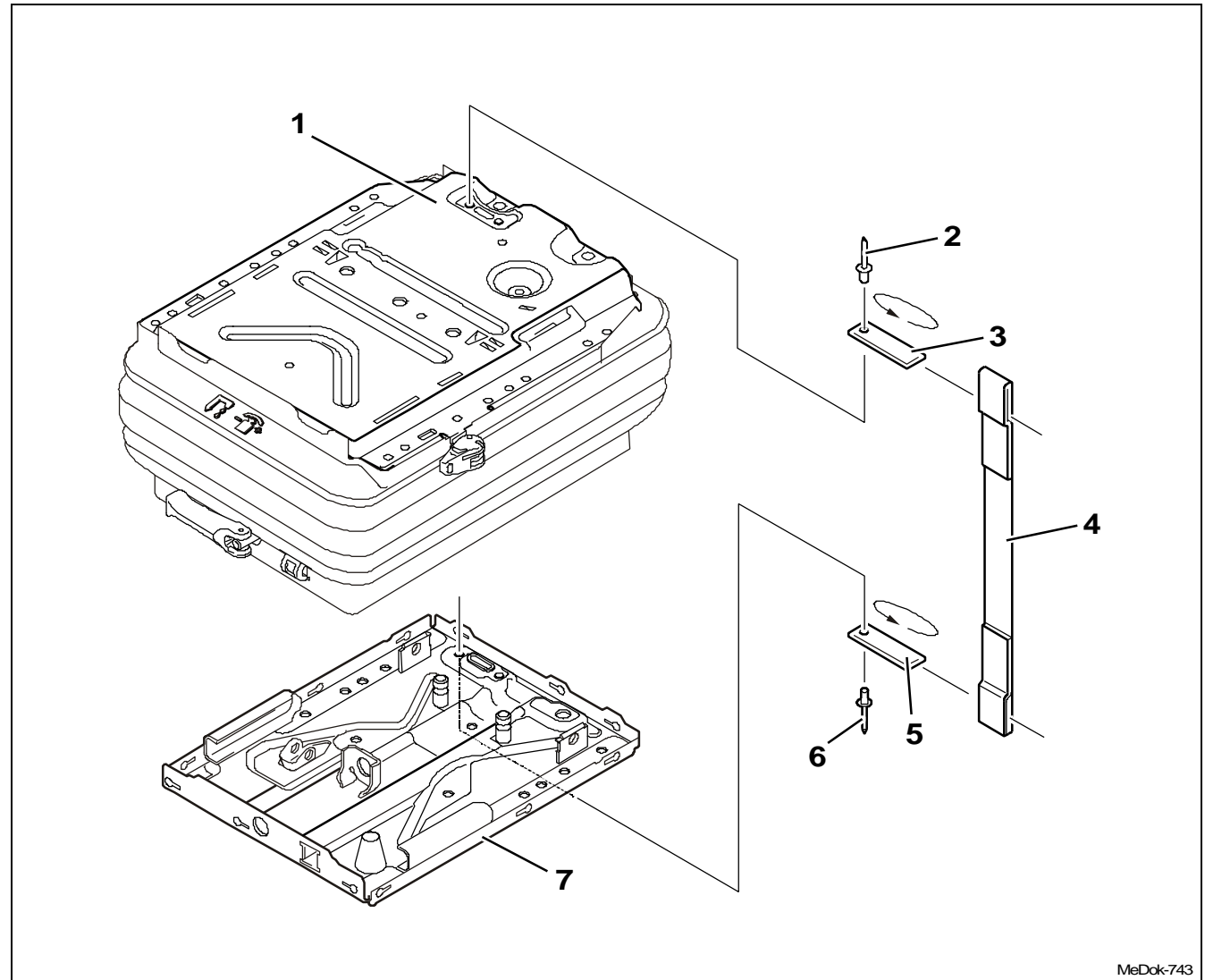
The strip (5) can either be riveted to the left or right mounting bores in the lower part of the spring system (7).

- 6 Pull the webbing (4) through the longitudinal hole in the lower part of the spring system (7).

Installation note:

When you pull the webbing (4) through the longitudinal hole in the lower part of the spring system (7), it must point inwards.

- 7 Re-install the components in the reverse order of their removal.



MeDok-743

2.12.3 Upper part of the spring system with swinging structure bearing studs – removal, installation (delivery option)

Page 3 of 3



REMOVAL/INSTALLATION

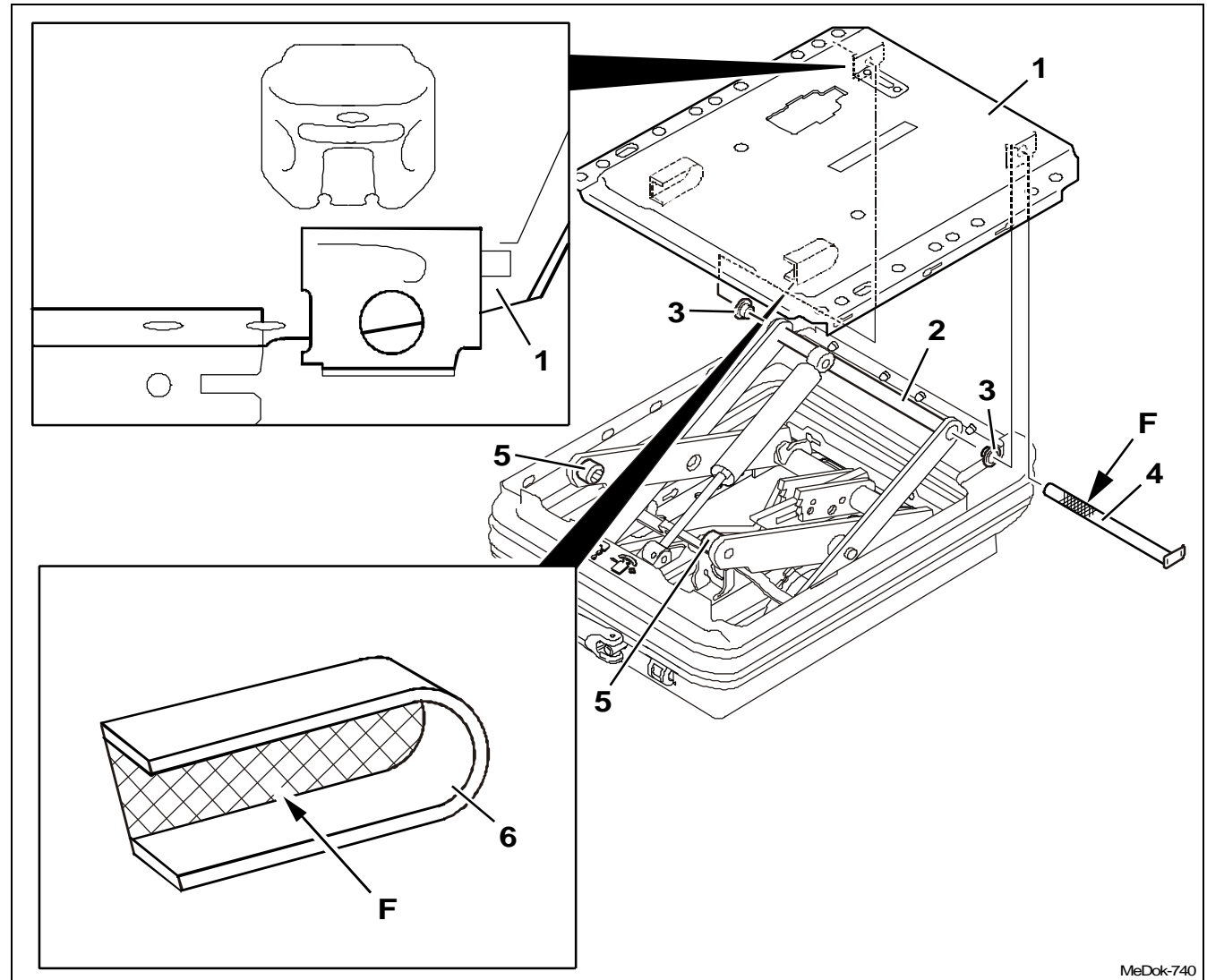
TABLE OF CONTENTS

- 6 Push the upper part of the spring system (1) backwards and lift it off the swinging structure (2) by turning it sideways.

Installation note:

Apply an acid-free multi-purpose lubricant to the two guiding rails (6) of the upper spring part (1) on the bearing surface at the side (F) of the plastic rollers (5).

- 7 Re-install the components in the reverse order of their removal.



MeDok-740

2.13.3 Swinging structure with fixed bearing with height adjustment (secondary belt) – removal, installation (delivery option)

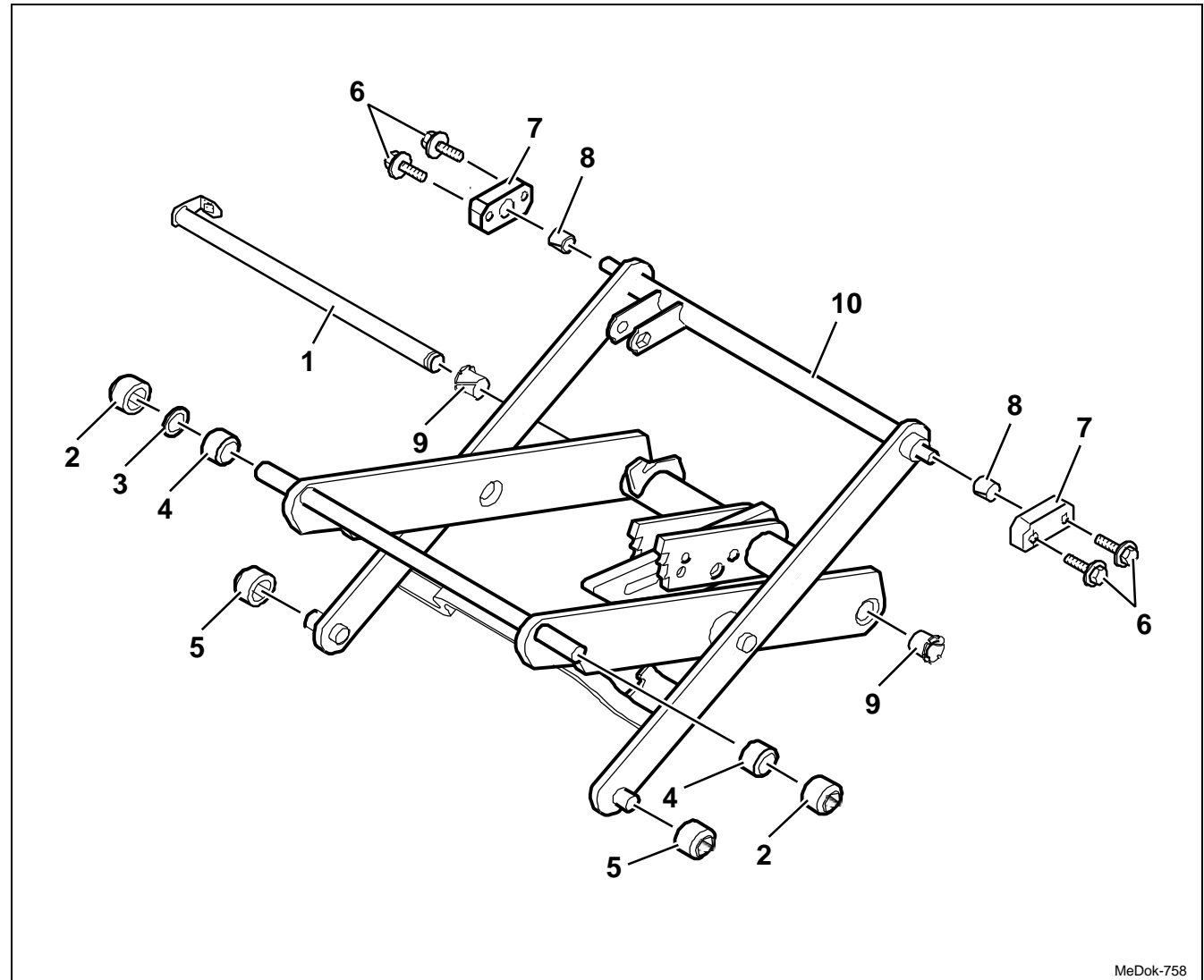


REMOVAL/INSTALLATION

TABLE OF CONTENTS

- (1) Stud
- (2) Plastic roller, top
- (3) Washer compensating for clearance
- (4) Spacer collet
- (5) Plastic roller, bottom
- (6) Groove screw11 Nm
- (7) Bearing stud
- (8) Spacer collet
- (9) Bushing..... replace if necessary
- (10) Swinging structure

- 1 Remove the upper part of the seat
(see repair manual upper seat part).
- 2 Remove the bellows (chap. 2.1).



MeDok-758

2.13.5 Checking the height adjustment of the swinging structure

Page 3 of 3

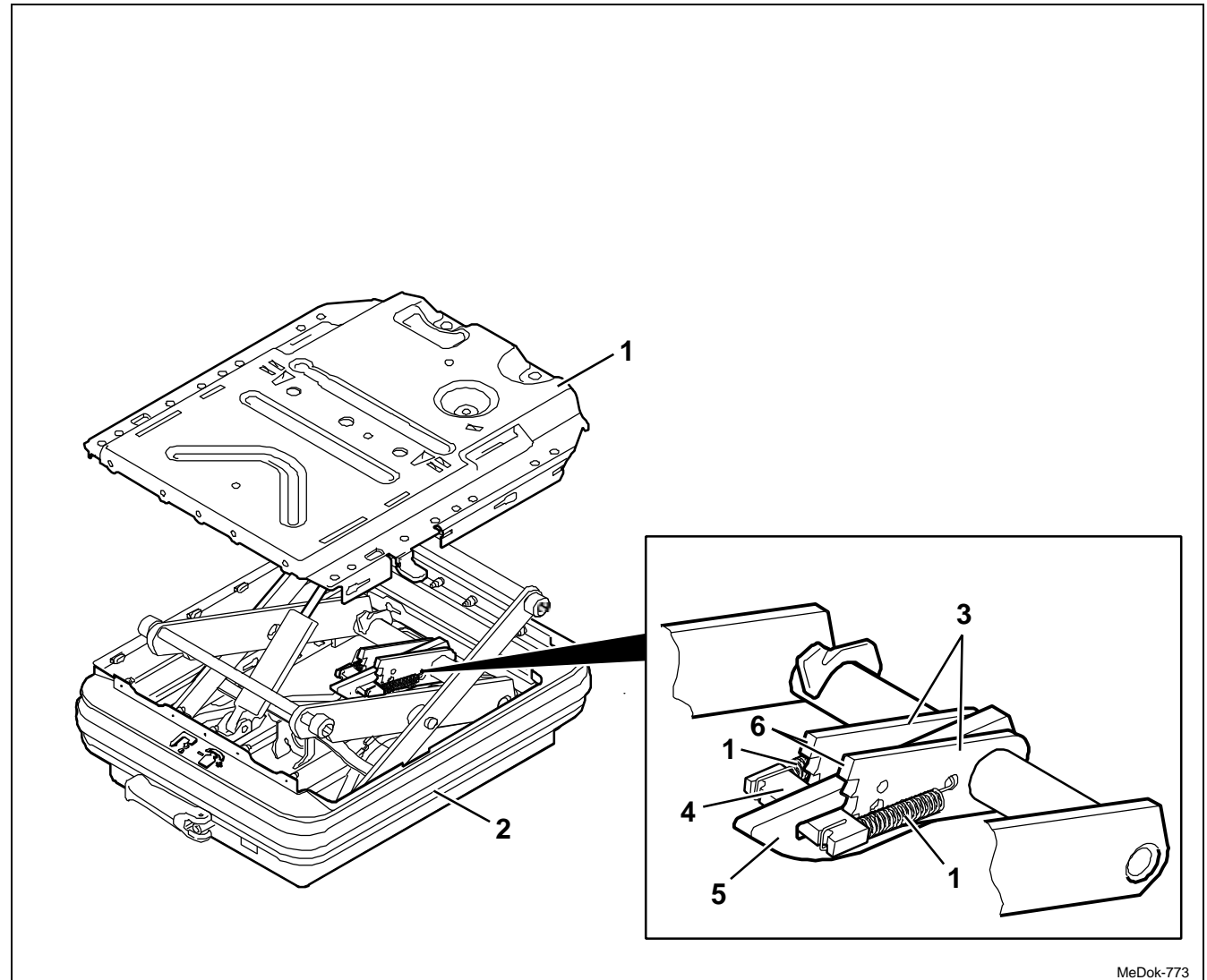
CHECKING

TABLE OF CONTENTS



- 4 Lift the upper part of the spring system (1):
? The strip (4) must lock in the first step.

- 5 Checking the height adjustment in general:
? Check locking for easy-running:
apply lubricant to the respective parts of the adjustment system if necessary (see chapter 2.13.4)
? Move the curved lever to check for easy-running:
Remove dirt such as welding beads.



MeDok-773

CLICK HERE TO **DOWNLOAD** THE COMPLETE MANUAL

- Thank you very much for reading the preview of the manual.
- You can download the complete manual from: www.heydownloads.com by clicking the link below



- Please note: If there is no response to CLICKING the link, please download this PDF first and then click on it.

CLICK HERE TO **DOWNLOAD** THE COMPLETE MANUAL