



Quality Parts

RR B7 / B8 / E7 / E8 / (C) / 14 (DC)

Valid for machine number..... 285732AA-293891AA

Only valid for machine number.....

Ordering number 153099

Date 1996-05-11 / ITS / ESIF

Language..... GB; SE; DE; FR

CLICK HERE TO **DOWNLOAD** THE COMPLETE MANUAL

- Thank you very much for reading the preview of the manual.
- You can download the complete manual from: www.heydownloads.com by clicking the link below



- Please note: If there is no response to CLICKING the link, please download this PDF first and then click on it.

CLICK HERE TO **DOWNLOAD** THE COMPLETE MANUAL

6210-006	Main valve unit lift/reach/tilt Huvudventil lyft/utskjut./tilt; Hauptventil Hub/Schub/Neigung; Soupape principale levage/rétraction/inclinaison	3 - Function
6210-007	Main valve unit lift/reach/tilt Huvudventil lyft/utskjut./tilt; Hauptventil Hub/Schub/Neigung; Soupape principale levage/rétraction/inclinaison	4 - 5 - Functions
6210-008	Main valve unit lift/reach/tilt Huvudventil lyft/utskjut./tilt; Hauptventil Hub/Schub/Neigung; Soupape principale levage/rétraction/inclinaison	Cabin tilt ERGO - REX
6210-017	Main valve unit lift/reach/tilt Huvudventil lyft/utskjut./tilt; Hauptventil Hub/Schub/Neigung; Soupape principale levage/rétraction/inclinaison	
6220-001	Control valve (extra hydr.attachm.) Riktningventil tillsatsutrustning; Richtungsventil zusatzausrüstung; Valve manuelle	5 - Functions
6270-001	Hose, reel Slangvinda, vippstycke; Schlauchtrommel, Schwenkkupplung; Enrouleur, joint tournant	Lift height < = 7000 mm
6270-002	Hose, reel Slangvinda, vippstycke; Schlauchtrommel, Schwenkkupplung; Enrouleur, joint tournant	Lift height = 7500 mm - 9000 mm

7000 Operating funktion - lifting mast/cylinder

Arbetsfunktion - lyftstativ/cylindrar; Arbeitsfunktion - Hubgerüst / zylinder; Fonction de travail - mat / cylindre

7120-012	Chains / yokes / rollers Kedja/kedjeok/rullar; Kette / Kettenjoch / Rollen; Chaines / poulies	
7120-032	Chains / yokes / rollers Kedja/kedjeok/rullar; Kette / Kettenjoch / Rollen; Chaines / poulies	
7130-005	Main mast fork carriage Huvudstativokvagn; Gabel-/Aggregatträger Haupthubergüst; Tablier porte-fourches mât principal	With side shift
7150-001	Mast guidance / dampers Stativstyrning / dämpning; Stativführung / Dämpfer; Guidage de mat	
7190-005	Mast carriage, mast fixation points Stativfästning; Mastbefestigung / Wagen; Chariot porte-mat / point fixation mat	
7310-013	Lift cylinders Lyftcylinder; Hubzylinder; Verin de levage	
7320-003	Tilt cylinders Tiltcylinder; Neigezylinder; Vérin d'inclinaison	
7320-004	Tilt cylinders Tiltcylinder; Neigezylinder; Vérin d'inclinaison	Tilt cylinder - Cabin ERGO-REX
7330-002	Reach cylinders Utskjuts-/initiallyftcylinder; Teleskopzylinder Schubzylinder; Verin de retraction	
7340-006	Free initial lift cylinder Fri-/initiallyftcylinder; Zylinder Frei- / initialhub; Verins de levage initial et libre	
7390-002	Powertrak cylinder Powertrak cylinder; Powertrak Zylinder; Vérin TGP (Traction Grande Puissance)	Foot step, cabin tilt ERGO - REX
7410-003	Fork, carpet boom, lift hook Lyftgaffel/-pik/-krok; Hubgabel/-dorn/-haken; Fourche, éperon, crochet de levage	

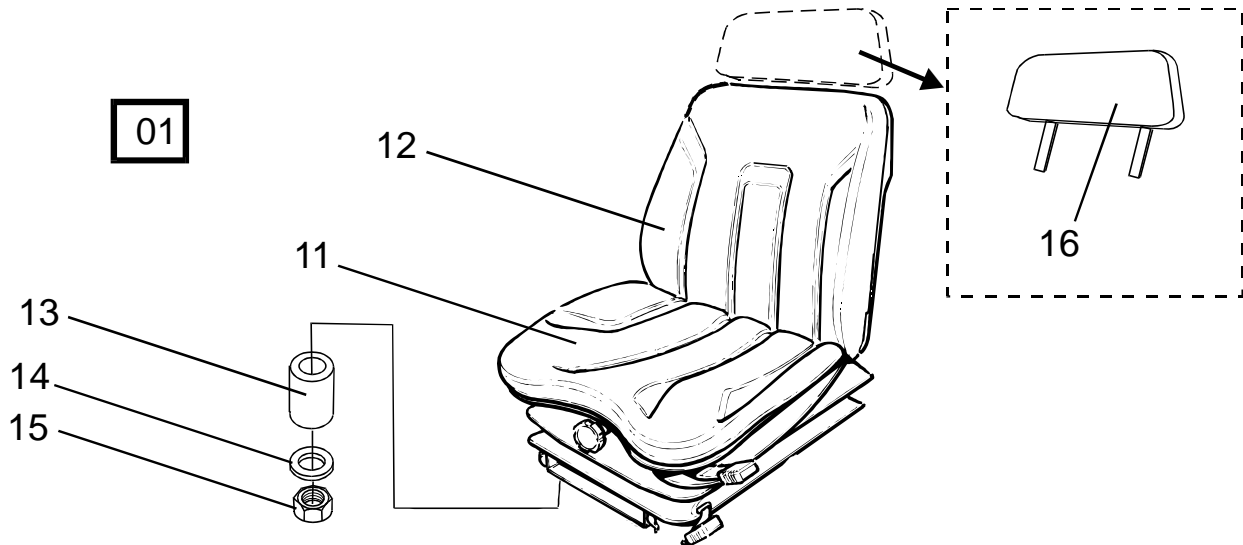
0390-012 Battery compartment parts

[1997-05-14]

Batteriutrymmesdelar; Batterieraumteile; Pièce de compartiment batterie

Cabin tilt ERGO - REX; Hyttilt ERGO - REX; Umklappbar Kabinen ERGO - REX; Cabine oscillant ERGO - REX		307 RR E7-E8		265200 - 326472	
Pos	Description	Pcs	Part No	Note	
11	Key(L = 263 mm, M = 39 mm) Kil; Keil; Clavette	1	141242-010		
11	Key(L = 411 mm, M = 39 mm) Kil; Keil; Clavette	1	141242-030		
11	Key(L = 263 mm, M = 47 mm) Kil; Keil; Clavette	1	147969-010		
11	Key(L = 411 mm, M = 47 mm) Kil; Keil; Clavette	1	147969-030		
12	Key(L = 263 mm, M = 39 mm) Kil; Keil; Clavette	1	141243-010		
12	Key(L = 411 mm, M = 39 mm) Kil; Keil; Clavette	1	141243-030		
12	Key(L = 263 mm, M = 47 mm) Kil; Keil; Clavette	1	147970-010		
12	Key(L = 411 mm, M = 47 mm) Kil; Keil; Clavette	1	147970-030		
13	Axle Axel; Achse; Axe	2	105393		
14	Screw Skruv; Schraube; Vis	2	20259		
15	Protection(N = 40 mm) Skydd; Schutz; Protègee	1	146361-010		
15	Protection(N = 115 mm) Skydd; Schutz; Protègee	1	146361-030		
15	Protection(N = 187 mm) Skydd; Schutz; Protègee	1	146361-050		
16	Protection Skydd; Schutz; Protègee	1	146032		
17	Screw Skruv; Schraube; Vis	6	22229		
18	Washer Bricka; Scheibe; Rondelle	6	20375		
19	Pedal Pedal; Pedal; Pédale	1	145203		
20	Plate Plåt; Platte; Plaque	1	144840		
21	Spring(Stainless Steel) Fjäder(Rostfri); Feder(Nichtrostende); Ressort(Inoxydable)	1	109909	Cold stores Fryshus; Gefrieranlage; Chambre frigorifique	
21	Spring Fjäder; Feder; Ressort	1	53037		
22	Screw Skruv; Schraube; Vis	1	28344		
23	Nut Mutter; Mutter; Ecrou	1	20045		
24	Spring Fjäder; Feder; Ressort	1	29659		
25	Screw Skruv; Schraube; Vis	3	29982		
26	Catch Spärr; Sperre; Arret	1	144415		
27	Bush Bussning; Bague; Bague	1	44110		
28	Screw(Stainless Steel) Skruv(Rostfri); Schraube(Nichtrostende); Vis(Inoxydable)	1	126733	Cold stores Fryshus; Gefrieranlage; Chambre frigorifique	
28	Screw Skruv; Schraube; Vis	1	65958		
29	Screw Skruv; Schraube; Vis	1	21503		

0620-003



0620-003 Seat, cushions

[1996-10-01]

Förarstol, dynor; Fahrersitz, Kissen; Siège, coussins de siège/dossier

Pos	Description	Pcs	Part No	Note
			304 RR B7-B8	265200 - 306400
01	Seat with spring system cpl. Stol fjädrande kpl.; Sitz mit Federung Kpl.; Siege avec suspension à ressort cpl.	1	144844	
01	Seat with spring system cpl.(Heated 48V / textile) Stol fjädrande kpl.(El-uppvärmd 48V / textil); Sitz mit Federung Kpl.(El, Erwärmung 48V / Textil); Siege avec suspension à ressort cpl.(Chauffage él, 48V / textile)	1	145280	
01	Seat with spring system cpl.(Heated 48V / PVC - coating) Stol fjädrande kpl.(El-uppvärmd 48V / galon); Sitz mit Federung Kpl.(El, Erwärmung 48V / Tresse); Siege avec suspension à ressort cpl.(Chauffage él, 48V / galon)	1	145281	
11	Seat cushion Sitt dyna; Sitzkissen; Siège	1	146522-001	
11	Seat cushion(Heated 48V / textile) Sitt dyna(El-uppvärmd 48V / textil); Sitzkissen(El, Erwärmung 48V / Textil); Siège(Chauffage él, 48V / textile)	1	146522-002	
11	Seat cushion(Heated 48V / PVC - coating) Sitt dyna(El-uppvärmd 48V / galon); Sitzkissen(El, Erwärmung 48V / Tresse); Siège(Chauffage él, 48V / galon)	1	146522-003	
12	Back rest Ryggdyna; Rückenlehne; Dossier	1	146523-001	
12	Back rest(Heated 48V / textile) Ryggdyna(El-uppvärmd 48V / textil); Rückenlehne(El, Erwärmung 48V / Textil); Dossier(Chauffage él, 48V / textile)	1	146523-002	
12	Back rest(Heated 48V / PVC - coating) Ryggdyna(El-uppvärmd 48V / galon); Rückenlehne(El, Erwärmung 48V / Tresse); Dossier(Chauffage él, 48V / galon)	1	146523-003	
13	Distance piece Distans; Distanz; Distance	4	146334	
14	Washer Bricka; Scheibe; Rondelle	4	20404	
15	Nut Mutter; Mutter; Ecrou	4	20016	
16	Backrest extension(Textile) Ryggstödsförlängning(Textil); Rückenlehene, verlängerung(Textil); Dossier, allongement(Textile)	1	150926-001	
16	Backrest extension(PVC - coating) Ryggstödsförlängning(Galon); Rückenlehene, verlängerung(Tresse); Dossier, allongement(Galon)	1	150926-002	

Quality Parts

0680-005

Pos	Description	Pcs	Part No	Note
20	Skidding protection Halkskydd; Rutschabdeckung; Dispositif antidérapant	1	143286	
21	Skidding protection Halkskydd; Rutschabdeckung; Dispositif antidérapant	1	143287	
22	Panel Panel; Paneel; Panneau	1	143296	
23	Panel Panel; Paneel; Panneau	1	143306	
24	Screw Skruv; Schraube; Vis	1	20938	
25	Nut Mutter; Mutter; Ecrou	1	127035-003	
26	Frame Ram; Rahmen; Cadre	2	133416	
27	Cap Lock; Deckel; Couvercle	2	132577	
28	Panel Panel; Paneel; Panneau	1	143309	
29	Panel Panel; Paneel; Panneau	1	145263	
30	Screw Skruv; Schraube; Vis	4	20938	
31	Nut Mutter; Mutter; Ecrou	4	127035-003	
32	Screw Skruv; Schraube; Vis	4	20938	
33	Nut Mutter; Mutter; Ecrou	4	127035-003	
34	Washer Bricka; Scheibe; Rondelle	4	29758	
35	Washer Bricka; Scheibe; Rondelle	1	29758	
36	Washer Bricka; Scheibe; Rondelle	4	29758	
37	Sleeve Hylsa; Hülse; Douille	2	148496	RR B4-B8

Quality Parts

0820-014

Pos	Description	Pcs	Part No	Note
21	Bracket Fäste; Halterung; Support	1	144411	
22	Plate Plåt; Platte; Plaque	1	144199	
23	Screw Skruv; Schraube; Vis	2	20154	
24	Washer Bricka; Scheibe; Rondelle	4	20375	
25	Nut Mutter; Mutter; Ecrou	2	20249	
26	Screw Skruv; Schraube; Vis	2	20154	
27	Washer Bricka; Scheibe; Rondelle	4	20375	
28	Nut Mutter; Mutter; Ecrou	2	20249	
29	Hinge Gångjärn; Chamier; Charnière	1	144309	
30	Screw Skruv; Schraube; Vis	2	21503	
31	Washer Bricka; Scheibe; Rondelle	4	20375	
32	Nut Mutter; Mutter; Ecrou	2	20249	
33	Screw Skruv; Schraube; Vis	2	20439	
34	Washer Bricka; Scheibe; Rondelle	2	20348	
35	Bracket Fäste; Halterung; Support	1	144335	
36	Nut Mutter; Mutter; Ecrou	1	20081	
37	Screw Skruv; Schraube; Vis	1	117919	
38	Gas suspension(800 Newton) Gasfjäder; Gasfederung; Suspension à gaz	1	122314-088	
39	Nut Mutter; Mutter; Ecrou	1	20081	
40	Plate Plåt; Platte; Plaque	1	147537	
41	Screw Skruv; Schraube; Vis	2	28511	
42	Screw Skruv; Schraube; Vis	1	20050	
43	Nut Mutter; Mutter; Ecrou	1	20081	
44	Washer Bricka; Scheibe; Rondelle	2	20404	
45	Finger cover Fingerskydd; Fingerschutz; Protège main	1	149781	
46	Screw Skruv; Schraube; Vis	3	20351	
47	Washer Bricka; Scheibe; Rondelle	3	42993	
48	Nut Mutter; Mutter; Ecrou	3	20081	
49	Screw Skruv; Schraube; Vis	4	29810	
50	Washer Bricka; Scheibe; Rondelle	2	20404	
51	Nut Mutter; Mutter; Ecrou	2	20016	

Quality Parts

3330-004

Pos	Description	Pcs	Part No	Note
17	Cylinder bolt Cylindrisk bult; Zylinderbolzen; Boulon de cylindrique	1	29416	
18	Cotter pin Saxpinne; Gespalter stift; Goupille fendue	1	21445	
19	Washer Bricka; Scheibe; Rondelle	1	20404	
20	Connection Koppling; Kupplung; Raccord	1	28802	
21	Connection Koppling; Kupplung; Raccord	2	139788-018	
22	Connection Koppling; Kupplung; Raccord	1	28780	
23	Connection Koppling; Kupplung; Raccord	1	28944	
24	Nut Mutter; Mutter; Ecrou	1	22982	
25	Plug Plugg; Pfropf; Bouchon	1	22264	
26	Connection Koppling; Kupplung; Raccord	2	127927-008	
27	Clamp Klamma; Rohrschelle; Collier	1	20942	

CLICK HERE TO **DOWNLOAD** THE COMPLETE MANUAL

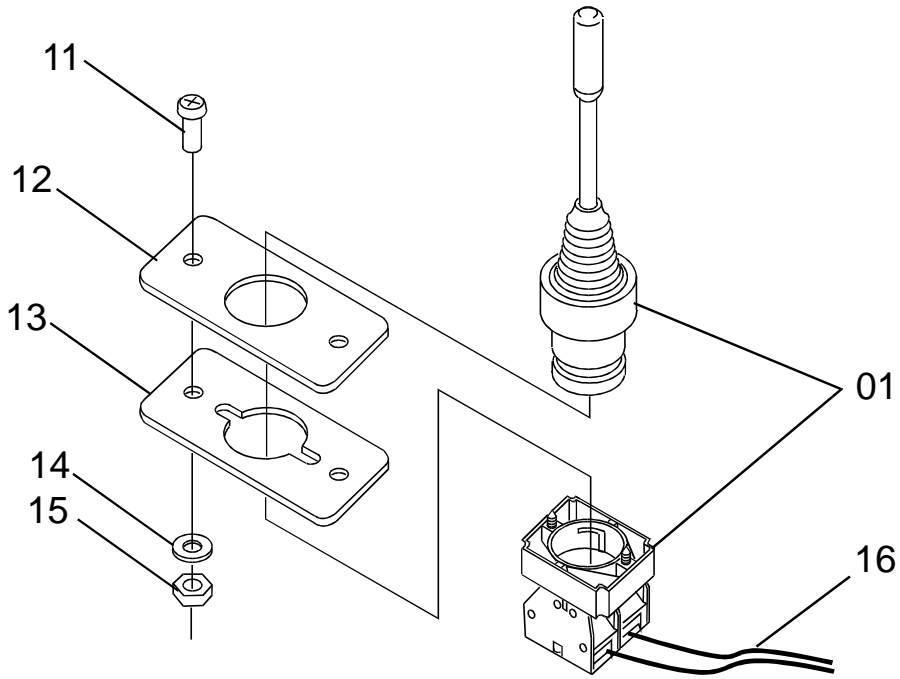
- Thank you very much for reading the preview of the manual.
- You can download the complete manual from: www.heydownloads.com by clicking the link below



- Please note: If there is no response to CLICKING the link, please download this PDF first and then click on it.

CLICK HERE TO **DOWNLOAD** THE COMPLETE MANUAL

5320-009



5320-009 Travel direction switch (separate)

[1996-09-26]

Riktningssväljare (separat); Richtungsschalter (separat); Sélecteur de direction (séparé)

Cold stores; Fryshus; Gefrieranlage; Chambre frigorifique		304 RR B7-B8 307 RR E7-E8		290083 - 326472 290083 - 326472
Pos	Description	Pcs	Part No	Note
01	Switch Brytare; Schalter; Rupteur	1	152982	
11	Screw Skruv; Schraube; Vis	2	29809	
12	Plate Plåt; Platte; Plaque	1	152732	
13	Plate Plåt; Platte; Plaque	1	152733	
14	Washer Bricka; Scheibe; Rondelle	2	21317	
15	Nut Mutter; Mutter; Ecrou	2	20257	
16	Wiring harness Kablage; Kabelsatz; Câblage	1	154312	

5510-009 Work function micro switches, potentiometers

[1995-08-01]

Arbetsfunktionsbrytare/-potentiometer; Schalter/Potentiometer Arbeitsfunktion; Rupteurs (switches)/
potentiomètres

Cabin tilt ERGO - REX; Hyttilt ERGO - REX; Umklappbar Kabinen ERGO - REX; Cabine oscillant ERGO - REX		307 RR E7-E8	265200 - 293891	
Pos	Description	Pcs	Part No	Note
02	Limit switch(With wiring harness) Gränslägesbrytare(Med kablage); Grenzschalter(Mit Kabelsatz); Limiteur de course(Avec Câblage)	1	147737	
11	Fitting Förskruvning; Verschraubung; Presse-étoupe	1	27659	
12	Bracket Fäste; Halterung; Support	1	147063	
13	Screw Skruv; Schraube; Vis	2	20078	
14	Washer Bricka; Scheibe; Rondelle	2	20404	
15	Screw Skruv; Schraube; Vis	2	28421	
16	Washer Bricka; Scheibe; Rondelle	2	21035	
17	Switch Brytare; Schalter; Rupteur	1	148083	
18	Sign Skylt; Schild; Vignette	1	133414-016	Cabin tilt ERGO - REX Hyttilt ERGO - REX; Umklappbar Kabinen ERGO - REX; Cabine oscillant ERGO - REX

Quality Parts

5750-016

Pos	Description	Pcs	Part No	Note
19	Bracket Fäste; Halterung; Support	1	133419	
20	Contact device Kontaktblock; Kontakteinheit; Unite de contact	1	133420	
21	Cotter pin Saxpinne; Gespalter stift; Goupille fendue	1	20312	
22	Bush Bussning; Bague; Bague	2	44110	
23	Washer Bricka; Scheibe; Rondelle	2	20508	
24	Pedal Pedal; Pedal; Pédale	1	138712	
24	Pedal Pedal; Pedal; Pédale	1	148156	Cold stores Fryshus; Gefrieranlage; Chambre frigorifique
25	Screw Skruv; Schraube; Vis	2	21438	
26	Nut Mutter; Mutter; Erou	2	20255	
27	Operating device Manöverdon; Steuerungsvorrichtung; Bras de commande	1	29386	
28	Skidding protection Halkskydd; Rutschabdeckung; Dispositif antidérapant	1	139323	
29	Switch(With wiring harness) Brytare(Med kablage); Schalter(Mit Kabelsatz); Rupteur(Avec Câblage)	1	146524	
30	Spring Fjäder; Feder; Ressort	1	133603	
31	Nit Nit; Niet; Rivet	2	24664	
32	Screw Skruv; Schraube; Vis	2	21503	
33	Protection Skydd; Schutz; Protègee	1	152983	Cold stores Fryshus; Gefrieranlage; Chambre frigorifique

Quality Parts

6120-044

Pos	Description	Pcs	Part No	Note
44	Pipe Rör; Rohr; Tube	1	140081-950	
45	Connection Koppling; Kupplung; Raccord	1	28711	
46	Sealing Tätning; Dichtung; Joint	2	29471	
47	Sealing ring Tätningsring; Dichtungsring; Bague d'étanchéité	2	22946	

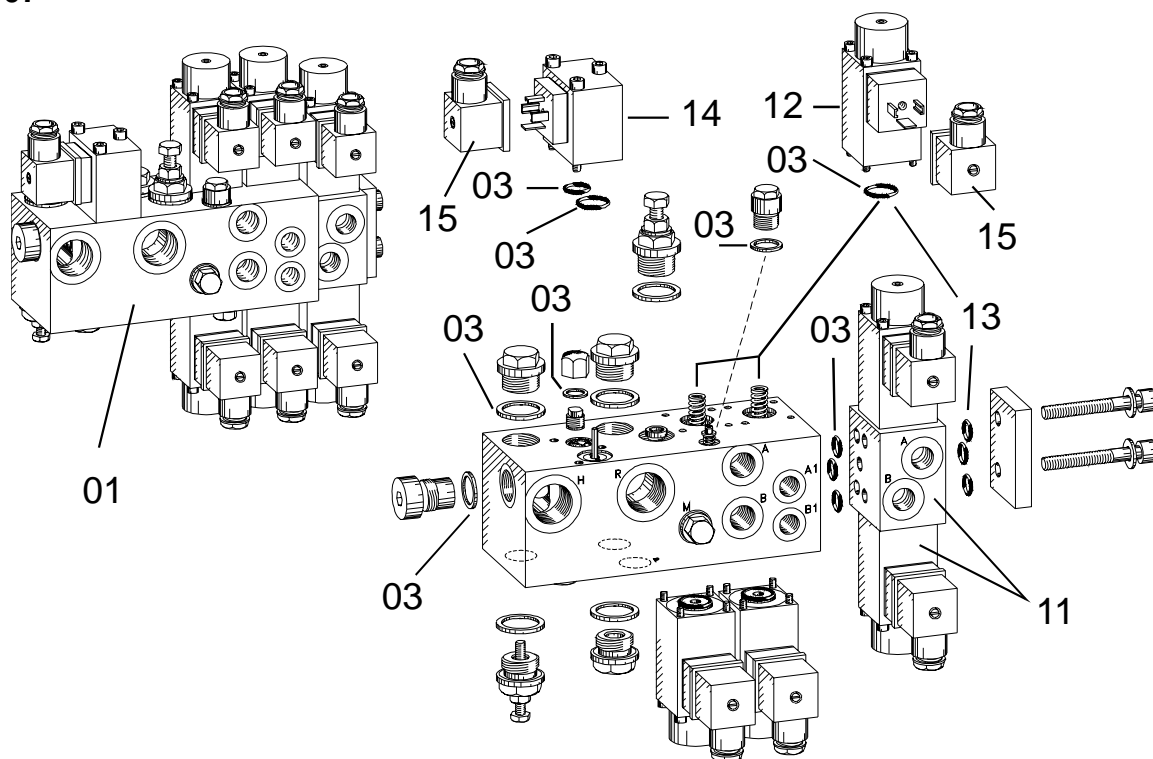
6120-051 Hoses and pipes, connection, fixation

[1996-04-29]

Rör-/slangedning, koppl., fastsättning; Rohr/Schlauch/Verschraubung, befestig.; Tuyaux / flexibles raccords

Cabin tilt ERGO - REX; Hyttilt ERGO - REX; Umklappbar Kabinen ERGO - REX; Cabine oscillant ERGO - REX		307 RR E7-E8		285732 - 290082
Pos	Description	Pcs	Part No	Note
11	Hose Slang; Schlauch; Tuyau flexible	1	135301	
12	Connection Koppling; Kupplung; Raccord	1	28780	
13	Connection Koppling; Kupplung; Raccord	1	28944	
14	Connection Koppling; Kupplung; Raccord	1	28780	
15	Connection Koppling; Kupplung; Raccord	1	28780	
16	Hose Slang; Schlauch; Tuyau flexible	1	136112	
17	Hose Slang; Schlauch; Tuyau flexible	1	135299	
18	Hose Slang; Schlauch; Tuyau flexible	1	135301	
19	Hose Slang; Schlauch; Tuyau flexible	1	135301	
20	Connection Koppling; Kupplung; Raccord	2	20780	
21	Connection Koppling; Kupplung; Raccord	1	28780	
22	Screw Skruv; Schraube; Vis	2	21976	
23	Washer Bricka; Scheibe; Rondelle	2	22474	
24	Nut Mutter; Mutter; Ecrou	2	20249	
25	Connection Koppling; Kupplung; Raccord	1	29575	
26	Valve unit Ventilblock; Ventileinheit; Soupape unit	1	148658	
27	Hose Slang; Schlauch; Tuyau flexible	1	135322	
28	Connection Koppling; Kupplung; Raccord	1	27491	
29	Connection Koppling; Kupplung; Raccord	1	27491	
30	Hose Slang; Schlauch; Tuyau flexible	1	146519	
31	Connection Koppling; Kupplung; Raccord	1	28802	

6210-007



6210-007 Main valve unit lift/reach/tilt

[1994-12-12]

Huvudventil lyft/utskjut./tilt; Hauptventil Hub/Schub/Neigung; Soupape principale levage/rétraction/inclinaison

4 - 5 - Functions; 4 - 5 - Funktioner; 4 - 5 - Funktion; 4 - 5 - Fonction		304 RR B7-B8 307 RR E7-E8		265200 - 290082 265200 - 290082
Pos	Description	Pcs	Part No	Note
01	Valve unit(Complete) Ventilblock(Komplett); Ventileinheit(Komplett); Soupape unit(Comple)	1	141866	
03	Packing set Packningssats; Packungssatz; Jeux d' étanchéité.	1	147017	
11	Valve(Complete) Ventil(Komplett); Ventil(Komplett); Soupape(Comple)	1	146963	
12	Magnet Magnet; Magnet; Magnétique	6	146964	
13	Packing set Packningssats; Packungssatz; Jeux d' étanchéité.	1	146965	
14	Magnet Magnet; Magnet; Magnétique	1	147016	
15	Connector Handske; Stecker; Bloc de connexion	7	24089	

6270-002 Hose, reel

[1995-11-24]

Slangvinda, vippstycke; Schlauchtrommel, Schwenkkupplung; Enrouleur, joint tournant

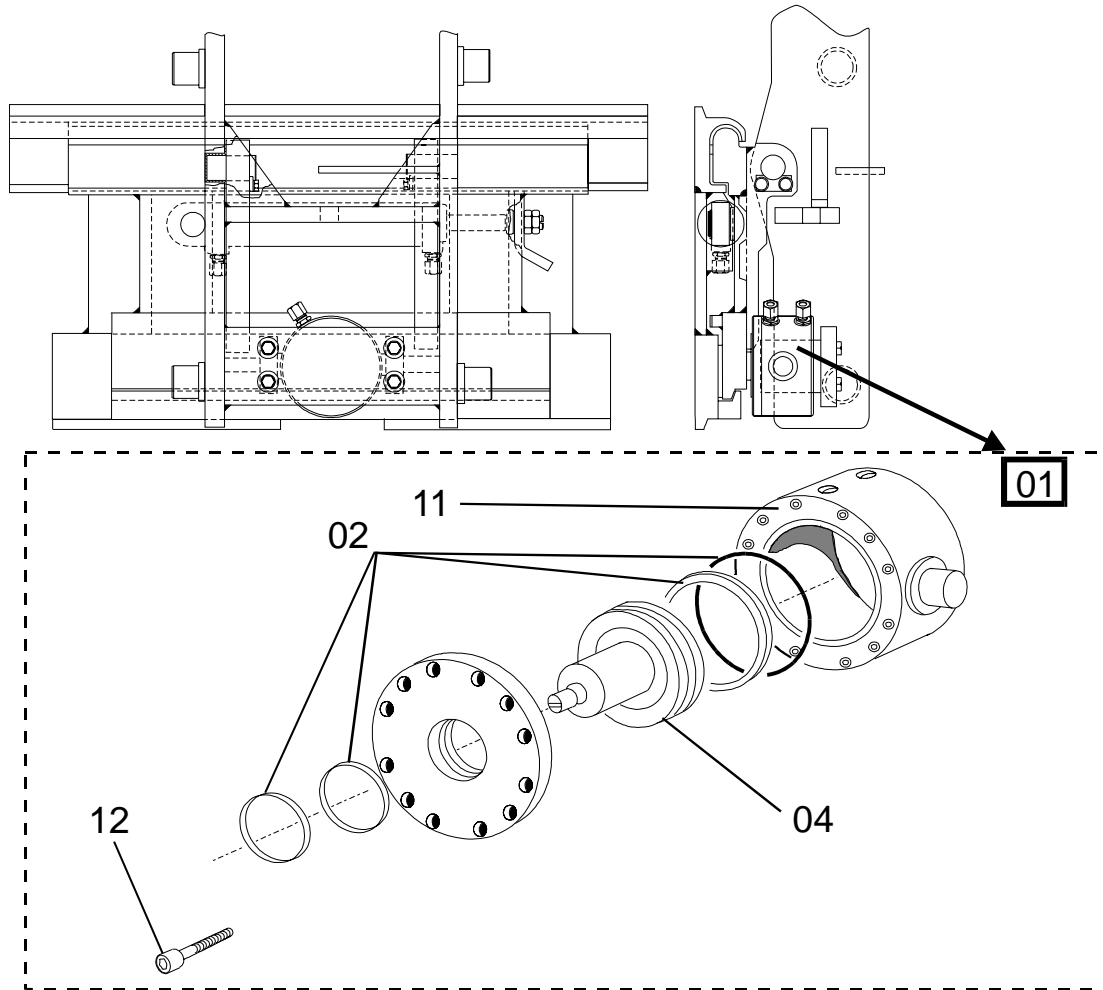
Lift height = 7500 mm - 9000 mm; Lyfthöjd = 7500 mm - 9000 mm; Hub-höhe = 7500 mm - 9000 mm; De élévation = 7500 mm - 9000 mm		304 307	RR B7-B8 RR E7-E8	265200 - 306400 265200 - 306400
Pos	Description	Pcs	Part No	Note
11	Swivel Svivel; Wirbel; Emerillon	1	21876	4-5 Functions, left 4-5 Funktioner, vänster; 4-5 Funktion, links; 4-5 Fonction, gauge
12	Screw Skruv; Schraube; Vis	2	20184	4-5 Functions, left 4-5 Funktioner, vänster; 4-5 Funktion, links; 4-5 Fonction, gauge
13	Washer Bricka; Scheibe; Rondelle	2	20404	4-5 Functions, left 4-5 Funktioner, vänster; 4-5 Funktion, links; 4-5 Fonction, gauge
14	Swivel Svivel; Wirbel; Emerillon	1	21876	4-5 Functions, right 4-5 Funktioner, höger; 4-5 Funktion, recht; 4-5 Fonction, droit
15	Screw Skruv; Schraube; Vis	2	20184	4-5 Functions, right 4-5 Funktioner, höger; 4-5 Funktion, recht; 4-5 Fonction, droit
16	Washer Bricka; Scheibe; Rondelle	2	20404	4-5 Functions, right 4-5 Funktioner, höger; 4-5 Funktion, recht; 4-5 Fonction, droit
17	Bracket Fäste; Halterung; Support	1	124849	4-5 Functions, right 4-5 Funktioner, höger; 4-5 Funktion, recht; 4-5 Fonction, droit
18	Screw Skruv; Schraube; Vis	2	22335	4-5 Functions, right 4-5 Funktioner, höger; 4-5 Funktion, recht; 4-5 Fonction, droit
19	Washer Bricka; Scheibe; Rondelle	2	20458	4-5 Functions, right 4-5 Funktioner, höger; 4-5 Funktion, recht; 4-5 Fonction, droit
20	Hose reel, complete Slangvinda, komplett; Schlauchrolle, Komplet; Roleau de tuyau flexible, complet	1	142876	4 Sections, left 4 Sectioner, vänster; 4 Sectioner, links; 4 Sections, gauge
21	Hose reel Slangvinda; Schlauchrolle; Roleau de tuyau flexible	1	139337-001	4-5 Functions, left 4-5 Funktioner, vänster; 4-5 Funktion, links; 4-5 Fonction, gauge
22	Screw Skruv; Schraube; Vis	6	22337	
23	Washer Bricka; Scheibe; Rondelle	6	21393	
24	Distance piece(Stainless Steel) Distans(Rostfri); Distanz(Nichtrostende); Distance(Inoxydable)	1	109898	
25	Roller Rulle; Rolle; Roleau	1	72138	
26	Spring Fjäder; Feder; Ressort	1	147007	
27	Hub Nav; Nabe; Moyeu	1	142856	
28	Packing set Packningssats; Packungssatz; Jeux d' étanchéité.	1	132276	
29	Hose(Double) Slang(Dubbel); Schlauch(Doppel); Tuyau flexible(Double)	1	29648	
30	Bracket Fäste; Halterung; Support	1	130322	
31	Screw Skruv; Schraube; Vis	4	21935	
32	Washer Bricka; Scheibe; Rondelle	4	20404	
33	Hose reel, complete Slangvinda, komplett; Schlauchrolle, Komplet; Roleau de tuyau flexible, complet	1	142877	4 Sections, right 4 Sektioner, höger; 4 Sektion, recht; 4 Section, droit
34	Hose reel Slangvinda; Schlauchrolle; Roleau de tuyau flexible	1	139337-002	4-5 Functions, right 4-5 Funktioner, höger; 4-5 Funktion, recht; 4-5 Fonction, droit
35	Connection Koppling; Kupplung; Raccord	2	28859	

Quality Parts

7120-032

Pos	Description	Pcs	Part No	Note
15	Shim(1 mm) Shims; Schim; Cale		135728-001	
15	Shim(2 mm) Shims; Schim; Cale		135728-002	
16	Consol(Complete) Konsol(Komplett); Konsole(Komplett); Console(Comple)	2	141088	
17	Locking pin Spännstift; Spannstift; Goupille	2	21294	
18	Washer Bricka; Scheibe; Rondelle	4	47886	
19	Ball bearing Kullager; Kugellager; Roulement a billes	2	20907	
20	Bracket Fäste; Halterung; Support	2	141090	
21	Axle Axel; Achse; Axe	2	141089	
22	Shim(0,5 mm) Shims; Schim; Cale		141082-001	
22	Shim(1 mm) Shims; Schim; Cale		141082-002	
23	Screw Skruv; Schraube; Vis	4	20044	
24	Washer Bricka; Scheibe; Rondelle	4	20348	
25	Consol(Complete) Konsol(Komplett); Konsole(Komplett); Console(Comple)	2	141083	
26	Nut Mutter; Mutter; Ecrou	4	21110	
27	Screw Skruv; Schraube; Vis	4	29640	
28	Bracket Fäste; Halterung; Support	2	141086	
29	Washer Bricka; Scheibe; Rondelle	4	50398	
30	Washer Bricka; Scheibe; Rondelle	24	24473	
31	Washer Bricka; Scheibe; Rondelle	4	141084	
32	Slide plate Glidplatta; Gleitplatte; Plaque de incline	2	141085	
33	Screw Skruv; Schraube; Vis	4	20351	
34	Washer Bricka; Scheibe; Rondelle	4	20404	
35	Shim(0,5 mm) Shims; Schim; Cale		141081-001	
35	Shim(1 mm) Shims; Schim; Cale		141081-002	

7320-003



7320-003 Tilt cylinders

Tiltcylinder; Neigezylinder; Vérin d'inclinaison

[1995-04-19]

Pos	Description	Pcs	Part No	Note
01	Tilting cylinder Tiltcylinder; Neigezylinder; Verin de inclination	1	139224	
02	Packing set Packningssats; Packungssatz; Jeux d'étanchéité.	1	139344	
04	Piston Kolv; Kolben; Piston	1	145908	
11	House. Hus; Haus.; Carter	1	145906	
12	Screw Skruv; Schraube; Vis	12	29324	

Quality Parts

7410-003

Pos	Description	Pcs	Part No	Note
11	Fork(L = 1600 mm) Gaffel; Gabel; Fourche	2	126706-160	
11	Fork(L = 1800 mm) Gaffel; Gabel; Fourche	2	126706-180	
11	Fork(L = 2000 mm) Gaffel; Gabel; Fourche	2	126706-200	
12	Clamp Klamma; Rohrschelle; Collier	2	24398	
13	Locking pin Spännstift; Spannstift; Goupille	2	20001	
14	Washer Bricka; Scheibe; Rondelle	2	24497	
15	Spring Fjäder; Feder; Ressort	2	24400	
16	Catch Spärr; Sperre; Arret	2	24399	
17	Catch complete(Kit) Spärr komplett(Sats); Sperre Komplett(satz); Arret complete(Jeux)	2	24545	

CLICK HERE TO **DOWNLOAD** THE COMPLETE MANUAL

- Thank you very much for reading the preview of the manual.
- You can download the complete manual from: www.heydownloads.com by clicking the link below



- Please note: If there is no response to CLICKING the link, please download this PDF first and then click on it.

CLICK HERE TO **DOWNLOAD** THE COMPLETE MANUAL