

## Quality Parts

PPS 1600MXD

Valid for machine number..... 350497AA-

Only valid for machine number..... 

--	--	--	--	--	--	--	--	--

Ordering number ..... 174371

Date ..... 1999-11-25 / ESDJ

Language..... GB; SE; DE; FR

CLICK HERE TO **DOWNLOAD** THE COMPLETE MANUAL

- Thank you very much for reading the preview of the manual.
- You can download the complete manual from: [www.heydownloads.com](http://www.heydownloads.com) by clicking the link below



- Please note: If there is no response to CLICKING the link, please download this PDF first and then click on it.

CLICK HERE TO **DOWNLOAD** THE COMPLETE MANUAL

**0340-047 Inspection covers**

[1997-11-11]

Huvar, luckor; Hauben, Abdeckungen; Capots, couvercles

		349 PPS 1600MXD		309700 -	
Pos	Description	Pcs	Part No	Note	
11	Lock cpl. Låsvred kompl.; Loch; Serrure	2	134518		
12	Spring Fjäder; Feder; Ressort	4	134385		
13	Cotter pin Saxpinne; Gespalter stift; Goupille fendue	2	21441		
14	Clip nut Låsclips; Schlitzmutter; Tôle de ecrou	2	28979		
15	Cover(Orange) Huv; Haube; Capot	1	134513-030		
16	Cover(Orange) Huv; Haube; Capot	1	134512-030		
17	Cover. Lucka; Deckel; Couvercle	1	144887	240 Ah	
17	Cover. Lucka; Deckel; Couvercle	1	161297	320 Ah	
18	Screw Skruv; Schraube; Vis	2	20021		
19	Nut Mutter; Mutter; Ecrou	2	21094		
20	Screw Skruv; Schraube; Vis	2	24546		
21	Distance piece Distans; Distanz; Distance	2	147426		
22	Washer Bricka; Scheibe; Rondelle	2	20404		
23	Nut Mutter; Mutter; Ecrou	2	28930		

**0560-015 Platform incl. fixing points**

[1998-11-17]

Åkplattform med infästning; Fahrerplattform mit Befestigung; Plateforme et fixations

Only for trucks in ASME-design; Endast maskiner enligt ASME-utförande; Nur für Stapler in ASME-ausführung; Seulement du chariot version ASME		349 PPS 1600MXD		329900 -
Pos	Description	Pcs	Part No	Note
11	Carpet Matta; Teppisch; Tapis	1	111791	
12	Bush Bussning; Bague; Bague	2	140178	
13	Axle Axel; Achse; Axe	1	166775	
14	Locking pin Spännstift; Spannstift; Goupille	1	28438	
15	Nut Mutter; Mutter; Ecrou	2	27129	
16	Screw Skruv; Schraube; Vis	2	20542	
17	Cup spring Tallriksfjäder; Tellerfeder; Ressort de disque	54	23986	
18	Screw Skruv; Schraube; Vis	2	26618	
19	Nut Mutter; Mutter; Ecrou	2	21123	
20	Gas suspension Gasfjäder; Gasfederung; Suspension à gaz	1	122314-088	
21	Carpet Matta; Teppisch; Tapis	1	121370	Safety
22	Protection Skydd; Schutz; Protègee	1	129906	Safety
23	Nit Nit; Niet; Rivet	11	28556	Safety
24	Plug Plugg; Pfropf; Bouchon	1	153969	
25	Consol Konsol; Konsole; Console	1	166893	
26	Platform Plattform; Plattform; Plate-forme	1	151567	
27	Cam Nock; Nocken; Came	1	140300	
28	Screw Skruv; Schraube; Vis	1	22801	

**1700-027 Electric drive motor**

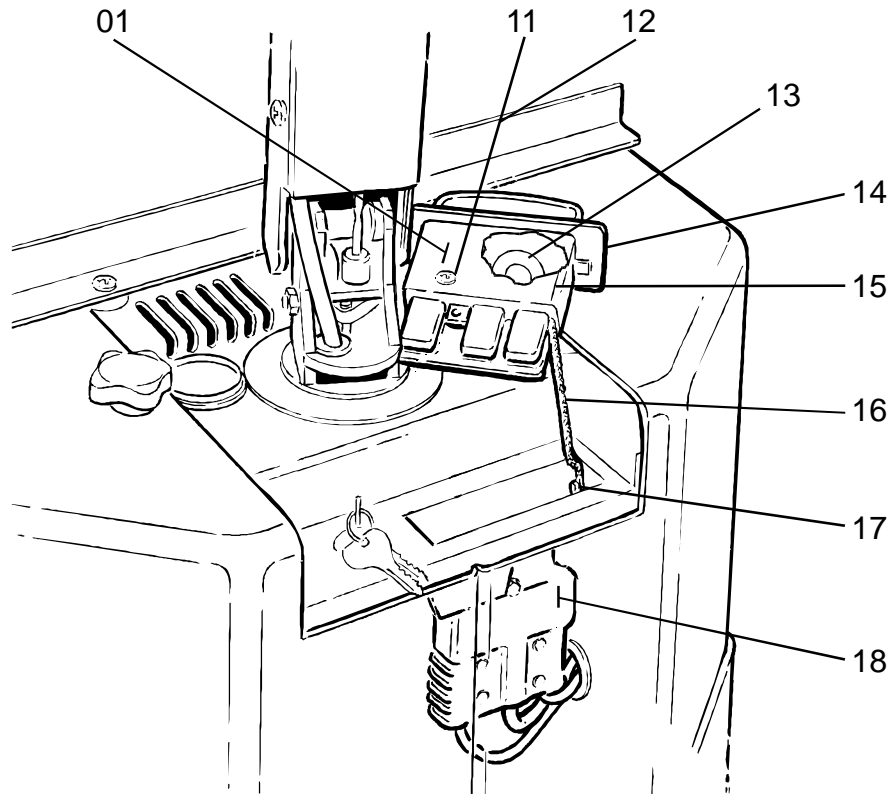
[1998-11-19]

Elektrisk åkmotor; Elektro-Fahrmotor; Moteur de traction électrique

			349 PPS 1600MXD	329900 -
Pos	Description	Pcs	Part No	Note
01	Motor(Complete) Motor(Komplett); Motor(Komplett); Moteur(Complet)	1	167201	
02	Carbon brush Kolborste; Kohlebürste; Charbon	4	135858	
03	Brush bridge Borstbrygga; Bürstenbrücke; Support de porte balais	1	135853	
09	Rotor Rotor; Rotor; Rotor	1	139178	
10	Stator Stator; Ständer; Stator	1	169554	
11	End shield Lagersköld; Lagerschild; Bouclier	1	135852	
12	Screw Skruv; Schraube; Vis	14	20224	
13	Washer Bricka; Scheibe; Rondelle	14	21351	
14	Locking ring Spårring; Schliessring; Circlip	1	27542	
15	Bearing Lager; Lager; Roulement	1	28560	
16	Locking ring Spårring; Schliessring; Circlip	1	22122	
17	Spring Fjäder; Feder; Ressort	4	149423	
18	Cable Kabel; Kabel; Câble	2	27899	
19	Key Kil; Keil; Clavette	1	27900	
20	Locking ring Spårring; Schliessring; Circlip	1	20923	
21	Locking ring Spårring; Schliessring; Circlip	1	29515	
22	Washer Bricka; Scheibe; Rondelle	1	29516	
23	Washer Bricka; Scheibe; Rondelle	1	29517	
24	Ball bearing Kullager; Kugellager; Roulement a billes	1	26102	
25	End shield Lagersköld; Lagerschild; Bouclier	1	139172	
26	Sealing Tätning; Dichtung; Joint	1	27898	
27	Plug Propp; Pfropfen; Bouchon	4	148206	
28	Isolation bush Isolerbussning; Isolierbuchse; Bague isolation	4	27551	
29	Nut Mutter; Mutter; Ecrou	2	21110	
30	Washer Bricka; Scheibe; Rondelle	2	21275	
31	Nut Mutter; Mutter; Ecrou	2	20081	



## 5190-011



## 5190-011 Battery cut out connector/contacter

[1997-03-11]

Batterifrånskiljare, huvudkontaktör; Batterietrennung, Hauptkontaktör; Coupe-circuit de batterie, contacteur

		349 PPS 1600MXD		296773 -
Pos	Description	Pcs	Part No	Note
01	Connector socket Kabelhandske; Leistungverbinder; Connexion socle.	1	127486	
11	Screw Skruv; Schraube; Vis	2	26956	
12	Nut Mutter; Mutter; Ecrou	2	26957	
13	Cable Kabel; Kabel; Câble	1	127487	
14	Handle Handtag; Handgriff; Poignée.	1	127482	
15	Connector Handske; Stecker; Bloc de connexion	1	127483	
16	Wire Wire; Drahtseil; Filament	1	141141	
17	Cable clip Kabelsko; Anschlussklemme; Oeillet de cable	1	21243	
18	Connector Handske; Stecker; Bloc de connexion	1	127484	
19	Battery connector with cable complete Batterihandske med kabel komplett; Stromstecker mit Kabel komplett; Connection fiche avec câble complete	1	146434	

**5430-026 Motor cables, resistors**

[1997-03-13]

Effektkablar, effektmotstånd; Leistungskabeln, Widerstand; Cables moteur, resistances

		349 PPS 1600MXD		296773 -	
Pos	Description	Pcs	Part No	Note	
01	Fuse(100A) Säkring; Sicherung; Fusible	1	29228		
05	Fuse(160 A) Säkring; Sicherung; Fusible	1	29223		
11	Insulator Isolator; Isolator; Isolateur	4	65183		
12	Washer Bricka; Scheibe; Rondelle	8	65184		
13	Washer Bricka; Scheibe; Rondelle	4	21393		
14	Nut Mutter; Mutter; Ecrou	4	20045		
15	Washer Bricka; Scheibe; Rondelle	4	21307		
16	Screw Skruv; Schraube; Vis	4	27500		
17	Cable Kabel; Kabel; Câble	1	146034		
18	Cable Kabel; Kabel; Câble	1	147215		
19	Cable(4) Kabel; Kabel; Câble	1	139216		
20	Cable Kabel; Kabel; Câble	1	134656		
21	Cable Kabel; Kabel; Câble	1	146035		
22	Cable Kabel; Kabel; Câble	1	146038		
23	Cable Kabel; Kabel; Câble	1	146036		
24	Cable Kabel; Kabel; Câble	1	136765		
25	Cable Kabel; Kabel; Câble	1	146033		
26	Cable(A1) Kabel; Kabel; Câble	1	139173		
27	Cable(5) Kabel; Kabel; Câble	1	139217		
28	Cable Kabel; Kabel; Câble	1	136746		
29	Cable Kabel; Kabel; Câble	1	136749		
30	Cable(A2) Kabel; Kabel; Câble	1	139174		
31	Cable Kabel; Kabel; Câble	1	146037		

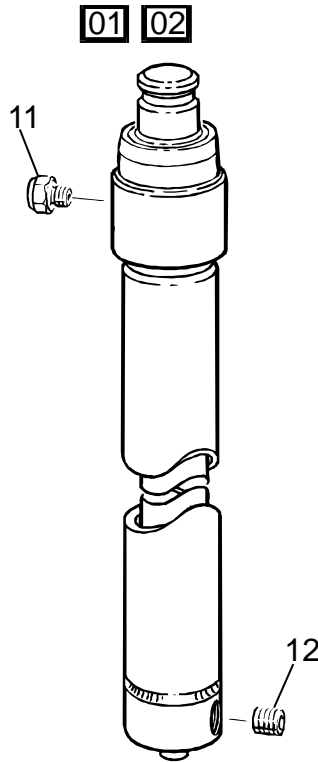
**5750-096 Safety/ position probes/ sensors**

[1999-06-11]

Skydds-/ läges-givare/-sensor; Schutz- / Positions-schalter/-geber; Emetteurs/capteurs (sondes) de sécurité/ position

Only for trucks in ASME-design; Endast maskiner enligt ASME-utförande; Nur für Stapler in ASME-ausführung; Seulement du chariot version ASME		349 PPS 1600MXD		340960 -
Pos	Description	Pcs	Part No	Note
11	Screw Skruv; Schraube; Vis	2	22059	Hilo
12	Washer Bricka; Scheibe; Rondelle	2	20236	Hilo
13	Clamp Klamma; Rohrschelle; Collier	7	28937	Tele
14	Bracket Fäste; Halterung; Support	1	155555	TELE LH>1799
14	Bracket Fäste; Halterung; Support	1	167109	HILO LH>3299/3249
14	Bracket Fäste; Halterung; Support	1	171561	HILO<3300/3250
15	Nut Mutter; Mutter; Ecrou	4	20255	
16	Wiring harness(Including magnetic switch) Kablage(Inklusive magnetbrytare); Kabelsatz(Inklusive Magnetschalter); Câblage(Inclus Rupteur de bobine)	1	155624	Including magnetic switch Inklusive magnetbrytare; Inklusive Magnetschalter; Inclus Rupteur de bobine
17	Damper Dämpare; Dämpfer; Attenteur	4	136060	
18	Nut Mutter; Mutter; Ecrou	4	20255	
19	Screw Skruv; Schraube; Vis	2	20050	
20	Screw Skruv; Schraube; Vis	2	21252	
21	Magnet Magnet; Magnet; Magnétique	2	126373	
22	Bracket Fäste; Halterung; Support	1	167106	Tele
22	Bracket Fäste; Halterung; Support	1	167107	Hilo
23	Nut Mutter; Mutter; Ecrou	2	20255	
24	Distance piece Distans; Distanz; Distance	1	169731	

7310-035

**7310-035 Lift cylinders**

Lyftcylinder; Hubzylinder; Verin de levage

[1997-03-13]

Tele		349 PPS 1600MXD		296773 -
Pos	Description	Pcs	Part No	Note
01	Lifting cylinder compl Lyftcylinder kompl.; Hubzylinder Kompl.; Verin de levage compl.	1	149792-001	H3 = 2100 mm
01	Lifting cylinder compl Lyftcylinder kompl.; Hubzylinder Kompl.; Verin de levage compl.	1	149792-003	H3 = 1700 mm
01	Lifting cylinder compl Lyftcylinder kompl.; Hubzylinder Kompl.; Verin de levage compl.	1	149792-004	H3 = 1900 mm
02	Packing set Packningssats; Packungssatz; Jeux d' étanchéité.	1	149834	
11	Air bleeder Luftventil; Luftnippel; Soupape ( air )	1	25299	
12	Valve Ventil; Ventil; Soupape	1	25150	

CLICK HERE TO **DOWNLOAD** THE COMPLETE MANUAL

- Thank you very much for reading the preview of the manual.
- You can download the complete manual from: [www.heydownloads.com](http://www.heydownloads.com) by clicking the link below



- Please note: If there is no response to CLICKING the link, please download this PDF first and then click on it.

CLICK HERE TO **DOWNLOAD** THE COMPLETE MANUAL