

Quality Parts

OS 1.8 X

Valid for machine number..... 361605AA-

Only valid for machine number.....

--	--	--	--	--	--	--	--	--

Ordering number 176713

Date 2000-05-18 / ITS / ESIF

Language..... GB; SE; DE; FR

CLICK HERE TO **DOWNLOAD** THE COMPLETE MANUAL

- Thank you very much for reading the preview of the manual.
- You can download the complete manual from: www.heydownloads.com by clicking the link below



- Please note: If there is no response to CLICKING the link, please download this PDF first and then click on it.

CLICK HERE TO **DOWNLOAD** THE COMPLETE MANUAL

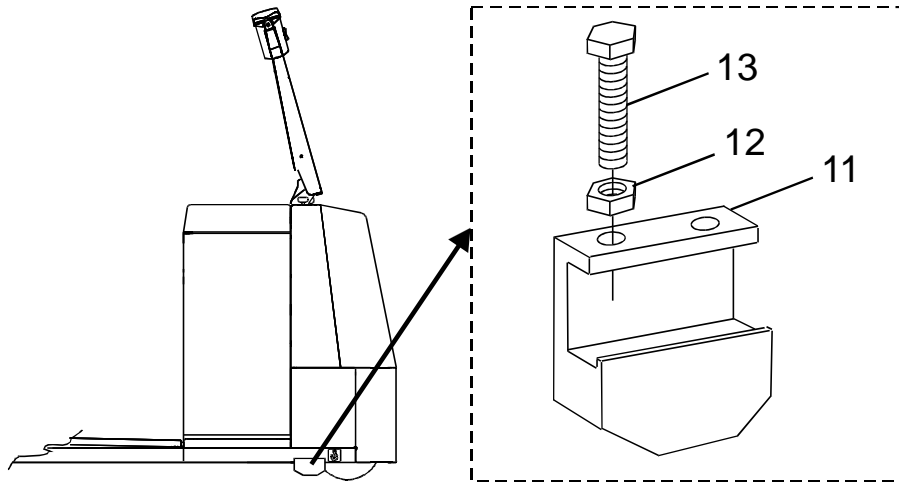
0390-085 Battery compartment parts

[2000-05-16]

Batteriutrymmesdelar; Batterieraumteile; Pièce de compartiment batterie

			342 OS 1.8 X	361605 -
Pos	Description	Pcs	Part No	Note
11	Screw Skruv; Schraube; Vis	1	20192	
12	Washer Bricka; Scheibe; Rondelle	1	20404	
13	Hook Hake; Haken; Crochet	1	173150-001	L = 240 mm
13	Hook Hake; Haken; Crochet	1	173150-002	L = 310 mm
13	Hook Hake; Haken; Crochet	1	173150-003	L = 380 mm
14	Bush Bussning; Bague; Bague	1	173149	
15	Ring Ring; Ring; Bague	1	173444	
16	Bracket Fäste; Halterung; Support	1	173147-002	
17	Screw Skruv; Schraube; Vis	4	21141	
18	Washer Bricka; Scheibe; Rondelle	12	22553	
19	Plate Plåt; Platte; Plaque	1	173445	
20	Screw Skruv; Schraube; Vis	2	20074	
21	Nut Mutter; Mutter; Ecrou	2	20016	
22	Consol Konsol; Konsole; Console	1	173145-001	A = 243 mm
22	Consol Konsol; Konsole; Console	1	173145-002	A = 313 mm
22	Consol Konsol; Konsole; Console	1	173145-003	A = 383 mm
23	Washer Bricka; Scheibe; Rondelle	3	20348	
24	Screw Skruv; Schraube; Vis	1	20439	B = 16 mm
24	Screw Skruv; Schraube; Vis	1	23932	B = 50 mm
25	Screw Skruv; Schraube; Vis	2	20074	
26	Nut Mutter; Mutter; Ecrou	2	20016	
27	Distance piece Distans; Distanz; Distance	1	171157	
28	Damper Dämpare; Dämpfer; Attenteur	1	171158	
29	Roller(Complete) Rulle(Komplett); Rolle(Komplett); Roleau(Complet)	10	163259-014	

0840-014



0840-014 Driver protection
Förarskydd; Fahrerschutz; Protection de cariste

[1996-09-10]

Pos	Description	Pcs	Part No	Note
11	Support Stöd; Stütze; Appui	2	145558	
12	Nut Mutter; Mutter; Ecrou	4	20170	
13	Screw Skruv; Schraube; Vis	4	26618	

2550-029 Mechanical drive gear unit

[1999-08-25]

Drivaggregat/-växel; Antriebsaggregat/-getriebe; Groupe de traction, réducteur

Steering arm without servo, Steering wheel system; Manöverarmsstyrning utan servo, Rattstyrning; Steuerarm ohne servo, Lenkrad steuerung; Bras de manoeuvre sans servo, Volant de direction		342 OS 1.8 X		346578 -	
Pos	Description	Pcs	Part No	Note	
01	Driving gear compl. Drivväxel kompl.; Antriebsatz kompl.; Groupe de entraînement compl.	1	139715		
11	Nut Mutter; Mutter; Ecrou	1	139713		
12	Washer Bricka; Scheibe; Rondelle	1	20013		
13	Gear wheel Kuggjul; Zahnrad; Roue dentée	1	139710		
14	Roller bearing Rullager; Rollenlager; Palier à rouleaux	1	27208		
15	Screw Skruv; Schraube; Vis	2	28343		
16	Shim(0,05 mm) Shims; Schim; Cale		140100-001		
16	Shim(0,2 mm) Shims; Schim; Cale		140100-003		
16	Shim(0,3 mm) Shims; Schim; Cale		140100-004		
16	Shim(0,5 mm) Shims; Schim; Cale		140100-005		
16	Shim(1 mm) Shims; Schim; Cale		140100-006		
17	Shim(0,05 mm) Shims; Schim; Cale		140102-001		
17	Shim(0,1mm) Shims; Schim; Cale		140102-002		
17	Shim(0,2 mm) Shims; Schim; Cale		140102-003		
17	Shim(0,3 mm) Shims; Schim; Cale		140102-004		
17	Shim(0,5 mm) Shims; Schim; Cale		140102-005		
17	Shim(1 mm) Shims; Schim; Cale		140102-006		
18	Bearing Lager; Lager; Roulement	1	29569		
19	O-ring O-ring; O-ring; Joint torique	1	23620		
20	Spare part kit : Bevel gear Reservdelssats : Koniskt kuggjul; Satz : Kegelrad; Jeux : Roue conique à denture droite	1	142932		
21	Washer Bricka; Scheibe; Rondelle	1	140097		
22	Nut Mutter; Mutter; Ecrou	1	139714		
23	Cap Lock; Deckel; Couverture	1	139705		
24	Screw Skruv; Schraube; Vis	6	21141		
25	Bearing Lager; Lager; Roulement	1	29570		
26	Gear housing Växelhus; Getriebhäuse; Carter étauche	1	139700		
27	Bearing Lager; Lager; Roulement	1	26312		
28	Shim(0,05 mm) Shims; Schim; Cale		140101-001		
28	Shim(0,1mm) Shims; Schim; Cale		140101-002		

3180-009 Electrically controlled travel brake

[2000-05-08]

El.reglerad färdbröms; Elektrisch geregelte Betriebsbremse; Frein de route électrique

		342 OS 1.8 X		361605 -	
Pos	Description	Pcs	Part No	Note	
11	Brake compl. Broms kompl.; Brems Kompl.; Frein compl.	1	171520		
12	Spring Fjäder; Feder; Ressort	1	158880		
13	Screw Skruv; Schraube; Vis	3	24352		
14	Spring Fjäder; Feder; Ressort	4	173611		
15	Sleeve Hylsa; Hülse; Douille	3	158882		
16	Brake disc Bromsskiva; Innenlamelle; Disque de freinage	1	173612		
17	Hub Nav; Nabe; Moyeu	1	150853		
18	Plate Plåt; Platte; Plaque	1	142542		
19	Screw Skruv; Schraube; Vis	4	21141		
20	Plate Plåt; Platte; Plaque	1	140578		
21	Locking ring Spårring; Schliessring; Circlip	2	20043		
22	Packing Packning; Packung; Étanchage	1	145054		

CLICK HERE TO **DOWNLOAD** THE COMPLETE MANUAL

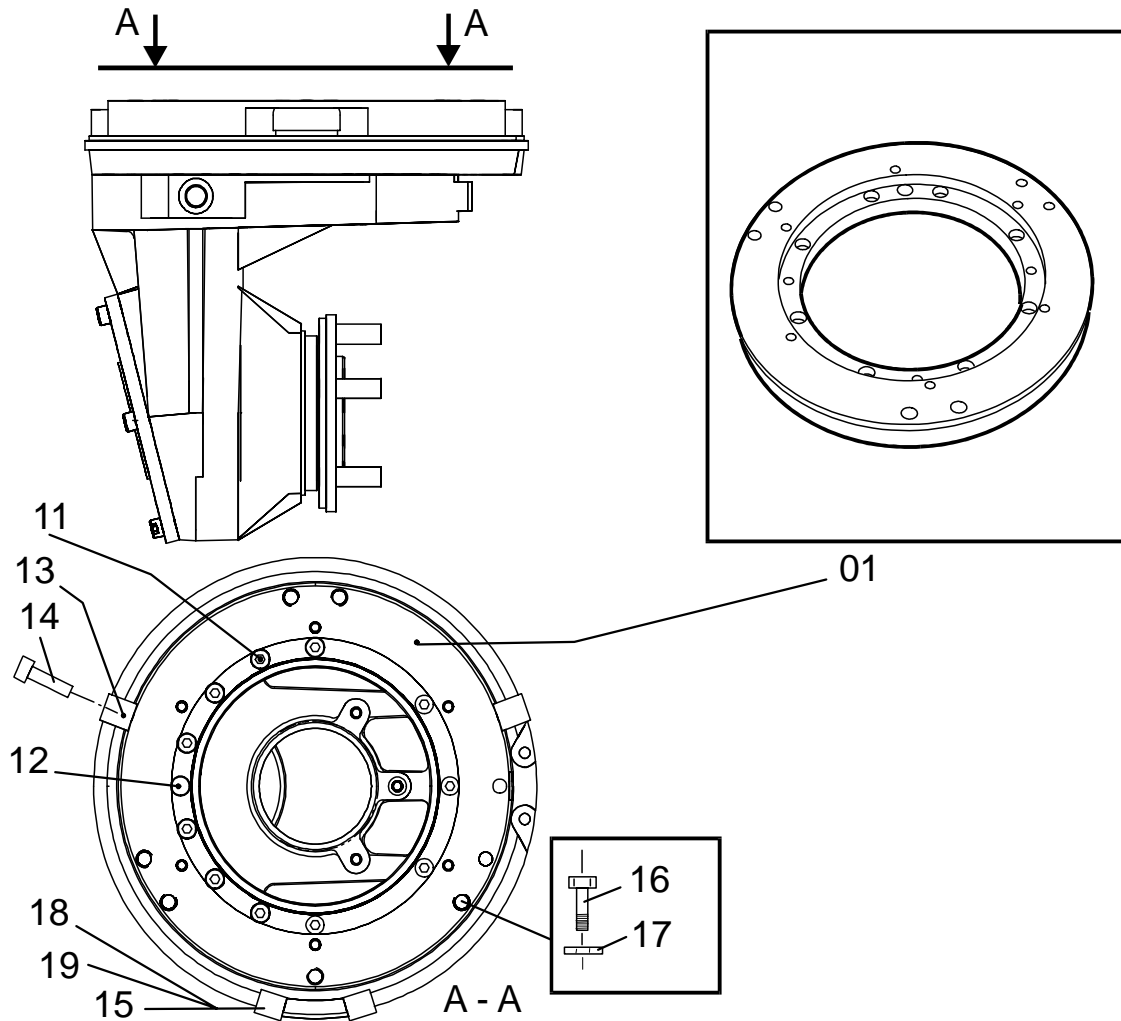
- Thank you very much for reading the preview of the manual.
- You can download the complete manual from: www.heydownloads.com by clicking the link below



- Please note: If there is no response to CLICKING the link, please download this PDF first and then click on it.

CLICK HERE TO **DOWNLOAD** THE COMPLETE MANUAL

4180-014



4180-014 Steering bearings, radial bearing

[2000-05-18]

Styrlagring/-krans ; Führungslagerung, Lenkkranz; Paliers de direction, paliers radials

Pos	Description	Pcs	Part No	Note
01	Bearing complete Lager komplett; Lager komplett; Roulement complete	1	156740	
11	Screw Skruv; Schraube; Vis	8	20192	
12	Air bleeder Luftventil; Luftnippel; Soupape (air)	1	27211	
13	Stopper Stoppordnung; Abstellvorrichtung; Dispositif d'arrêt	2	141235	
14	Screw Skruv; Schraube; Vis	2	20192	
15	Buffer Buffert; Puffer; Atténateur	2	170153	
16	Screw Skruv; Schraube; Vis	6	26618	
17	Washer Bricka; Scheibe; Rondelle	6	21394	
18	Washer Bricka; Scheibe; Rondelle	2	22474	
19	Cylinder pin Cylindrisk pinne; Zylinderstift; Goupille cylindre	2	29425	

5200-004 Instrument panel, display

[1997-08-27]

Instrumentpanel, display; Instrumentpanel, Display; Tableau de bord, afficheur

Pos	Description	Pcs	Part No	Note
			342 OS 1.8 X	305139 -
11	Switch(Complete) Brytare(Komplett); Schalter(Komplett); Rupteur(Complet)	2	132573	Inching speed from platform Krypfart från plattform; Nur langsamfahren auf plattform; Marcher lentement, conduire plateforme
12	Symbol plate Symbolplatta; Zeichenplatte; Plaque de symbole	4	132575-004	
13	Sign Skylt; Schild; Vignette	2	71573	
14	Cap Lock; Deckel; Couvercle	2	132577	
15	Push-button switch(Complete) Tryckknappsbrytare(Komplett); Druckknopfschalter(Komplett); Bouton rupteur(Complet)	2	146151	Lowering of forks Sänkning av gafflar; Senken gabeln; Abaissement, fourches
16	Push-button switch(Complete) Tryckknappsbrytare(Komplett); Druckknopfschalter(Komplett); Bouton rupteur(Complet)	2	146151	Lifting forks Lyftning gafflar; Heben gabeln; Levage fourches
17	Push-button switch(Complete) Tryckknappsbrytare(Komplett); Druckknopfschalter(Komplett); Bouton rupteur(Complet)	2	146151	Walk button inchning fork direction Gående förare, krypfart gaffelriktning; Gehen Führer, langsamfahren gabel-richtung; Chauffeur en allant, march ralentie fourche-direc.
18	Push-button switch(Complete) Tryckknappsbrytare(Komplett); Druckknopfschalter(Komplett); Bouton rupteur(Complet)	2	146151	Walk button inchning speed drive wheel direction Gående förare, krypfart drivhjul-sriktning; Gehen Führer, langsamfahren antriebsrad richtung; Marcher lentement, conduire flanc
19	Plug Plugg; Pfropf; Bouchon		139240-300	

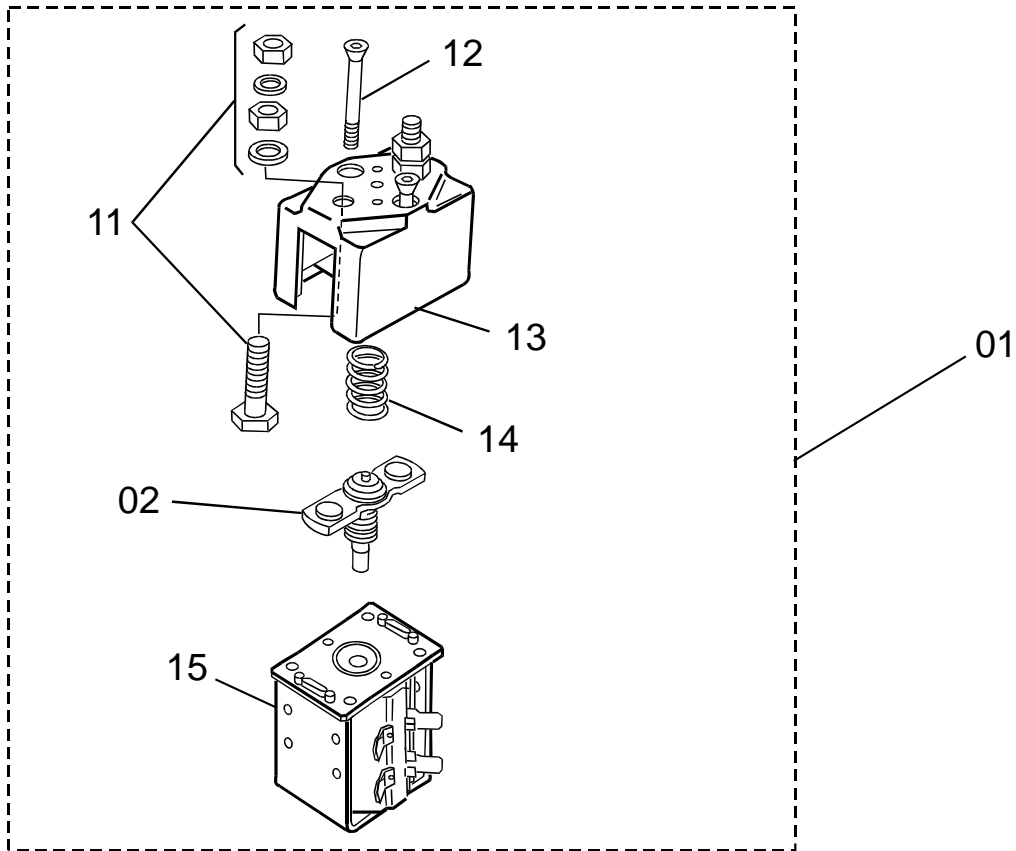
5330-027 Speed control

[1998-08-26]

Fartreglering; Geschwindigkeitsreglung; Régulation de vitesse

Pos	Description	Pcs	Part No	Note
			342 OS 1.8 X	325962 -
02	Micro switch Mikrobrytare; Mikroschalter; Interrupteurs	2	152321	Cold stores Fryshus; Gefrieranlage; Chambre frigorifique
02	Micro switch Mikrobrytare; Mikroschalter; Interrupteurs	2	156279	Standard design Standardutförande; Normalaus-rüstung
03	Operating device Manöverdon; Steuerungsvorrichtung; Bras de commande	2	156919	Cold stores Fryshus; Gefrieranlage; Chambre frigorifique
13	Screw Skruv; Schraube; Vis	2	20720	
14	Bracket Fäste; Halterung; Support	2	134065	
15	Screw Skruv; Schraube; Vis	2	21134	
18	Washer Bricka; Scheibe; Rondelle	2	21392	
19	Nut Mutter; Mutter; Ecrou	2	20255	
20	Screw Skruv; Schraube; Vis	2	24354	
22	Washer Bricka; Scheibe; Rondelle	2	20236	
23	Nut Mutter; Mutter; Ecrou	2	20235	
25	Potentiometer(Complete) Potentiometer(Komplett); Potentiometer(Komplett); Potentiometre(Com-plet)	1	166303	
26	Heater(With wiring harness) Värmare(Med kablage); Heizer(Mit Kabelsatz); Calorie(Avec Câblage)	2	153396	Cold stores Fryshus; Gefrieranlage; Chambre frigorifique

5610-007

**5610-007 Pump contactor**

[1997-08-18]

Pumpkontaktör; Pumpenmotorkontaktör; Contacteur (moteur) de pompe

			342 OS 1.8 X	305139 -
Pos	Description	Pcs	Part No	Note
01	Contactor Kontaktör; Kontaktör; Contacteur	1	154548	
02	Contact Kontakt; Kontakt; Contact	1	154553	
11	Fixed contact(Complete) Fast kontakt(Komplett); Fester Kontakt(Komplett); Contact fixé(Complett)	2	154551	
12	Screw Skruv; Schraube; Vis	2	154549	
13	Housing Kåpa; Haus; Chape	1	154550	
14	Spring Fjäder; Feder; Ressort	1	154552	
15	Magnetic coil Magnetspole; Magnetspule; Bobine électrique	1	154554	

CLICK HERE TO **DOWNLOAD** THE COMPLETE MANUAL

- Thank you very much for reading the preview of the manual.
- You can download the complete manual from: www.heydownloads.com by clicking the link below



- Please note: If there is no response to CLICKING the link, please download this PDF first and then click on it.

CLICK HERE TO **DOWNLOAD** THE COMPLETE MANUAL