

Quality Parts

OP Coldstore/ OPW Coldstore

Valid for machine number..... 404730 AA-

Only valid for machine number.....

--	--	--	--	--	--	--	--	--

Ordering number 181411

Date 2001-02-05/ ITS/ ESIT

Language..... GB SE DE FR

CLICK HERE TO **DOWNLOAD** THE COMPLETE MANUAL

- Thank you very much for reading the preview of the manual.
- You can download the complete manual from: www.heydownloads.com by clicking the link below



- Please note: If there is no response to CLICKING the link, please download this PDF first and then click on it.

CLICK HERE TO **DOWNLOAD** THE COMPLETE MANUAL

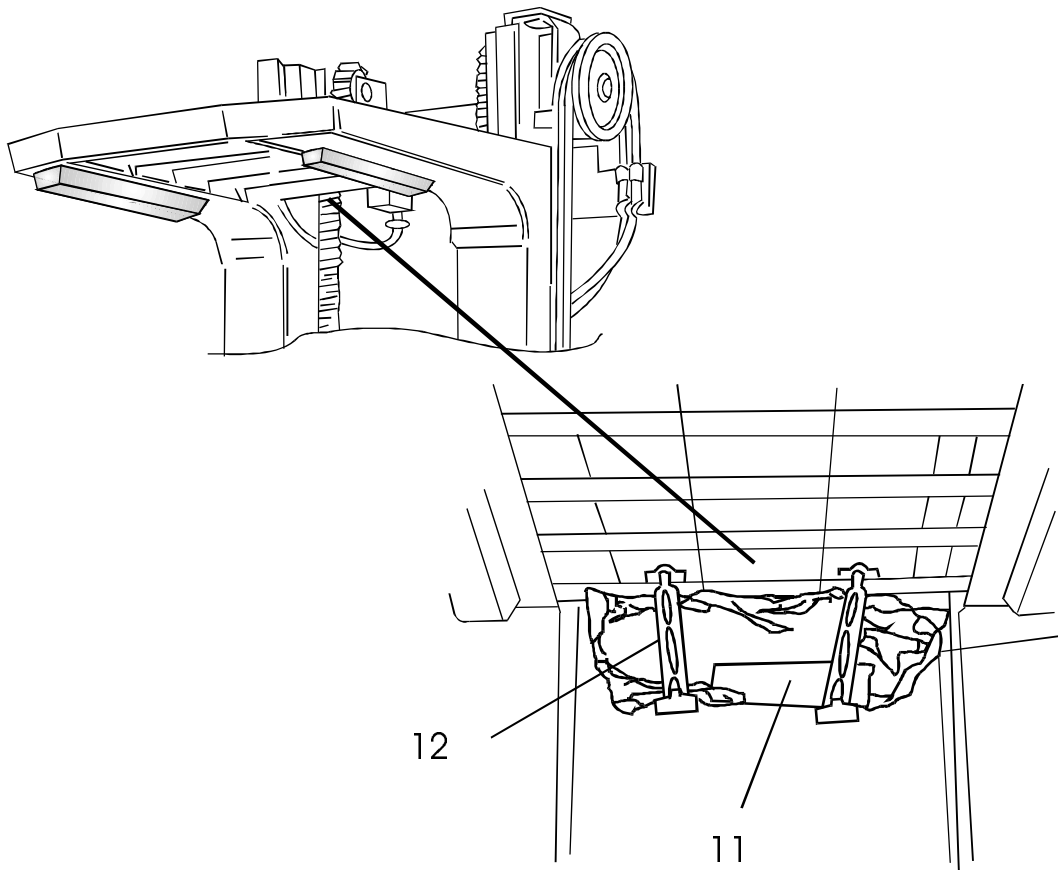
0340-132 Inspection covers

[1999-09-22]

Huvar, luckor; Hauben, Abdeckungen; Capots, couvercles

Pos	Description	Pcs	Part No	Note
			652 OP 1000 Coldstore 654 OPW Coldstore	338799 - 340526 -
11	Door(Left) Dörr(Vänster); Tür(Links); Porte(Gauche)	1	170633	
12	Door(Right) Dörr(Höger); Tür(Recht); Porte(Droit)	1	170634	
13	Cover. Lucka; Deckel; Couvercle	1	124428	
14	Cover. Lucka; Deckel; Couvercle	1	124429	
15	Faucet Låstapp; Schlossriegel; Fermeture	4	29508	
16	Washer Bricka; Scheibe; Rondelle	4	29510	
17	Clip nut Låsclips; Schlitzmutter; Tôle de ecrou	4	29509	
18	Nit Nit; Niet; Rivet	2	24664	
19	Nit Nit; Niet; Rivet	6	22064	
20	Damper Dämpare; Dämpfer; Attenteur	6	28078	
21	Plug Plugg; Pfropf; Bouchon	2	127020	
24	Stop bar Anslag; Anschlag; Arret	1	170796	
25	Pad Underlägg; Underlagsplatte; Dessous	1	124394	
26	Screw Skruv; Schraube; Vis	2	20031	
27	Washer Bricka; Scheibe; Rondelle	2	21275	
28	Rubber cloth Gummiduk; Gummistoff; Toile caoutchouc	1	135005	

0800-004

**0800-004 Safety equipment**

[2001-01-08]

Skyddsutrustning; Sicherheitsausrüstung (mech.); Equipement de protection

Pos	Description	Pcs	Part No	Note
			652 OP 1000 Coldstore 654 OPW Coldstore	338799 - 340526 -
11	Evacuation rope Evakueringslina; Evakuirungleine ; Conduite á corde	1	180482	
12	Stropping Spännband; Spannband; Tirant	4	139372	

1760-033 Electric drive motor

[2000-12-29]

Elektrisk åkmotor; Elektro-Fahrmotor; Moteur de traction électrique

Pos	Description	Pcs	Part No	Note
			652 OP 1000 Coldstore 654 OPW Coldstore	368145 - 368145 -
01	Motor(Complete) Motor(Komplett); Motor(Komplett); Moteur(Complet)	1	159738	
02	Carbon brush Kolborste; Kohlebürste; Charbon	8	136698	
03	Brush bridge Borstbrygga; Bürstenbrücke; Support de porte balais	1	172830	
11	Sealing Tätning; Dichtung; Joint	1	136701	
12	Locking ring Spårring; Schliessring; Circlip	1	136702	
13	Bearing Lager; Lager; Roulement	1	136700	
14	Locking ring Spårring; Schliessring; Circlip	1	20041	
15	Brush spring Borstfjäder; Bürstenfeder; Ressort de charbon	8	136699	
18	Washer Bricka; Scheibe; Rondelle	1	20013	
19	Screw Skruv; Schraube; Vis	4	21141	
20	Sealing ring Tätningring; Dichtungsring; Bague d'étanchéité	1	29539	
21	O-ring O-ring; O-ring; Joint torique	1	21596	
22	Sleeve Hylsa; Hülse; Douille	1	73859	
23	Bearing Lager; Lager; Roulement	1	25932	
24	Locking ring Spårring; Schliessring; Circlip	1	20009	
25	Locking ring Spårring; Schliessring; Circlip	1	20041	
26	Washer Bricka; Scheibe; Rondelle	1	26216	
27	Washer Bricka; Scheibe; Rondelle	1	25940	
28	Nut Mutter; Mutter; Ecrou	1	21368	
29	Screw Skruv; Schraube; Vis	5	21935	
30	Washer Bricka; Scheibe; Rondelle	5	20404	

5120-008 Lighting

[2001-02-01]

Belysning; Beleuchtung; Eclairage

Pos	Description	Pcs	Part No	Note
			652 OP 1000 Coldstore 404730 - 654 OPW Coldstore 404730 -	
11	Neon tube(Complete) Lysrör(Komplett); Neonröhre(Komplett); Neon allumage(Complet)	2	180309	
12	Housing Kåpa; Haus; Chape	2	180875	
13	Neon tube Lysrör; Neonröhre; Neon allumage	4	151426	
14	Transformer Transformator; Transformator; Transformateur	1	149201-002	
15	Screw Skruv; Schraube; Vis	4	27712	
16	Wiring harness Kablage; Kabelsatz; Câblage	1	180281	
17	Buzzer Summer; Summer; Ronfleur	1	23634	

CLICK HERE TO **DOWNLOAD** THE COMPLETE MANUAL

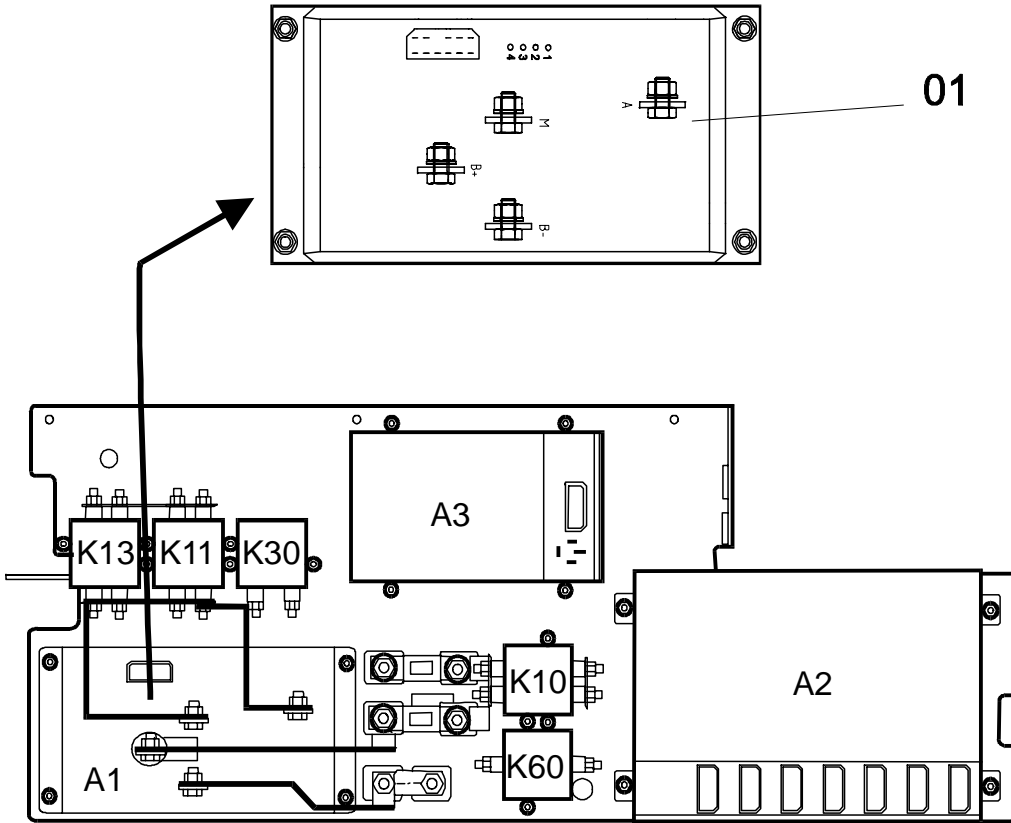
- Thank you very much for reading the preview of the manual.
- You can download the complete manual from: www.heydownloads.com by clicking the link below



- Please note: If there is no response to CLICKING the link, please download this PDF first and then click on it.

CLICK HERE TO **DOWNLOAD** THE COMPLETE MANUAL

5460-025



5460-025 Transistor panel

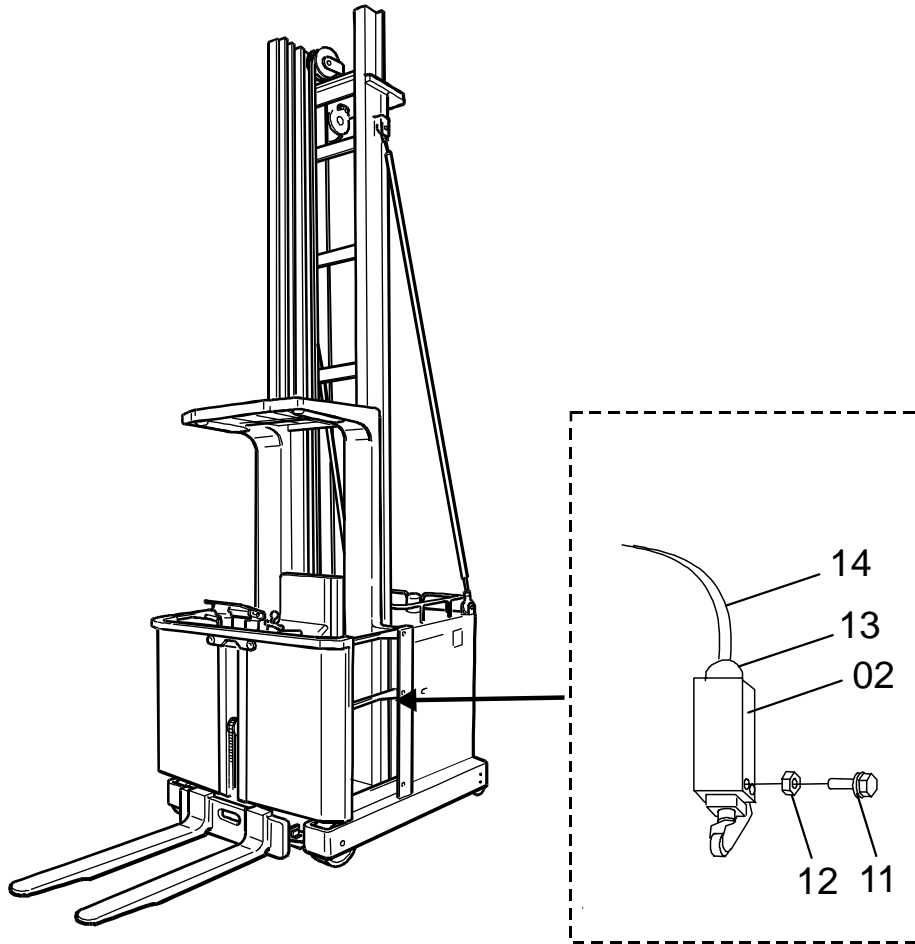
Transistorpanel ; Transistorpanel; Panneau transistor

[1999-04-26]

Pos	Description	Pcs	Part No	Note
01	Transistor controller Transistorregulator; Transistorregulator; Regulateur des transistors	1	142486-004	

652 OP 1000 Coldstore 338799 -
654 OPW Coldstore 340526 -

5750-092

**5750-092 Safety/ position probes/ sensors**

[1999-04-28]

Skydds-/ läges-givare/-sensor; Schutz- / Positions-schalter/-geber; Emetteurs/capteurs (sondes) de sécurité/ position

		652 OP 1000 Coldstore 338799 -		
Pos	Description	Pcs	Part No	Note
02	Limit switch Gränslägesbrytare; Grenzschalter; Limiteur de course	2	145930	
11	Screw Skruv; Schraube; Vis	4	29599	
13	Fitting Förskruvning; Verschraubung; Presse-étoupe	2	27659	
14	Wiring harness Kablage; Kabelsatz; Câblage	2	139060	

5820-013 Lift/lowering/reach movment probes/sensors

[1999-09-08]

Lyft-/sänk-/skjutrörelse-givare/-sensor; Hub-/Senk-/Schubgeber/-sensor; Capteurs de levage/descente/rétraction

		652 OP 1000 Coldstore 654 OPW Coldstore		338799 - 340526 -	
Pos	Description	Pcs	Part No	Note	
12	Altimeter(Complete) Höjdmätare(Komplett); Altimeter(Komplett); Altimètre(Complect)	1	168784	Triplex Hi - Lo	
12	Altimeter(Complete) Höjdmätare(Komplett); Altimeter(Komplett); Altimètre(Complect)	1	169477	Duplex Hi - Lo	
13	Roller Rulle; Rolle; Roleau	1	168194	Triplex Hi - Lo	
13	Roller Rulle; Rolle; Roleau	1	169476		
14	Ball bearing Kullager; Kugellager; Roulement a billes	1	21425		
15	Locking ring Spårring; Schliessring; Circlip	1	20610		
16	Locking ring Spårring; Schliessring; Circlip	1	20004		
17	Bracket Fäste; Halterung; Support	1	168195		
18	Washer Bricka; Scheibe; Rondelle	1	20404		
19	Screw Skruv; Schraube; Vis	1	20078		
20	Bracket Fäste; Halterung; Support	1	168789		
21	Bracket Fäste; Halterung; Support	1	137646		
22	Screw Skruv; Schraube; Vis	3	28715		
23	Screw Skruv; Schraube; Vis	1	23181		
24	Pulse transducer Pulsgivare; Pulsometer; Générateur d'impulsions	1	168788		
25	Nut Mutter; Mutter; Ecrou	2	21094		
26	Screw(Loop) Skruv(Ögla); Schraube(Öhr); Vis(Boucle)	1	137720		
27	Bracket Fäste; Halterung; Support	1	173393		
28	Cable lock Wirelås; Seilschloss; Blocage de tige	2	143384		
29	Screw Skruv; Schraube; Vis	2	22333		
30	Screw Skruv; Schraube; Vis	2	21935		
31	Nut Mutter; Mutter; Ecrou	4	20255		
32	Washer Bricka; Scheibe; Rondelle	4	22417		
33	Damper Dämpare; Dämpfer; Attenteur	2	136060		
34	Screw Skruv; Schraube; Vis	2	28858		
35	Bracket Fäste; Halterung; Support	1	168017		
36	Magnet switch Magnetbrytare; Magnetschalter; Rupteur de bobine	1	132070-100		
37	Magnet Magnet; Magnet; Magnétique	1	126373		
38	Wiring harness Kablage; Kabelsatz; Câblage	1	171151	Duplex Hi - Lo	
38	Wiring harness Kablage; Kabelsatz; Câblage		171152	Triplex Hi - Lo	

6230-021 Hydraulic lines chassis

[1999-09-23]

Chassimonterade hydraulledningar; Hydraulikleitungen Chassis; Circuits hydrauliques châssis

Pos	Description	Pcs	Part No	Note
			652 OP 1000 Coldstore 654 OPW Coldstore	338799 - 340526 -
11	Connection Koppling; Kupplung; Raccord	3	127927-008	
12	Connection Koppling; Kupplung; Raccord	3	127926-008	
13	Connection Koppling; Kupplung; Raccord	2	28107	
14	Nipple Nippel; Nippel; Nipple	1	139788-118	
15	Hose(Meter) Slang(Meter); Schlauch(Meter); Tuyau flexible(Metre)		28108	430 mm
16	Hose(Meter) Slang(Meter); Schlauch(Meter); Tuyau flexible(Metre)		28108	370 mm
17	Hose(Meter) Slang(Meter); Schlauch(Meter); Tuyau flexible(Metre)		28108	410mm 410 mm; 410 mm; 410 mm
18	Hose(Meter) Slang(Meter); Schlauch(Meter); Tuyau flexible(Metre)		28108	275 mm
19	Clamp Klamma; Rohrschelle; Collier	1	24534	
20	Hose Slang; Schlauch; Tuyau flexible	1	109273-002	
21	Clamp Klamma; Rohrschelle; Collier	2	28440	
22	Nipple Nippel; Nippel; Nipple	1	142511-008	

7120-070 Main lift chain system

[2000-01-26]

Huvudlyftkedjesystem; Haupthubkettensystem; Système de chaîne de levage mât principal

Duplex Hi - Lo		652 OP 1000 Coldstore 654 OPW Coldstore	338799 - 340526 -	
Pos	Description	Pcs	Part No	Note
11	Chain wheel(Complete) Kedjehjul(Komplett); Kettenrad(Komplett); Roue de chaine(Complett)	2	158153	
12	Roller Rulle; Rolle; Roleau	1	158154	
13	Locking ring Spårring; Schliessring; Circlip	1	20076	
14	Bearing Lager; Lager; Roulement	1	26939	
15	Sealing ring Tätningring; Dichtungsring; Bague d'étanchéité	2	20902	
16	Distance piece Distans; Distanz; Distance	4	101341	
17	Axle Axel; Achse; Axe	1	137853	
18	Axle Axel; Achse; Axe	1	168066	
20	Screw Skruv; Schraube; Vis	2	28835	
21	Lifting chain complete Lyftkedja komplett; Hubkette Komplett; Chaîne d'élévation complet	2	169583-355	
21	Lifting chain complete Lyftkedja komplett; Hubkette Komplett; Chaîne d'élévation complet	2	169583-395	
21	Lifting chain complete Lyftkedja komplett; Hubkette Komplett; Chaîne d'élévation complet	2	169583-450	
21	Lifting chain complete Lyftkedja komplett; Hubkette Komplett; Chaîne d'élévation complet	2	169583-500	
21	Lifting chain complete Lyftkedja komplett; Hubkette Komplett; Chaîne d'élévation complet	2	169583-550	
21	Lifting chain complete Lyftkedja komplett; Hubkette Komplett; Chaîne d'élévation complet	2	169583-600	
21	Lifting chain complete Lyftkedja komplett; Hubkette Komplett; Chaîne d'élévation complet	2	169583-650	
21	Lifting chain complete Lyftkedja komplett; Hubkette Komplett; Chaîne d'élévation complet	2	169583-700	
21	Lifting chain complete Lyftkedja komplett; Hubkette Komplett; Chaîne d'élévation complet	2	169583-750	
21	Lifting chain complete Lyftkedja komplett; Hubkette Komplett; Chaîne d'élévation complet	2	169583-800	
21	Lifting chain complete Lyftkedja komplett; Hubkette Komplett; Chaîne d'élévation complet	2	169583-850	
22	Pressure spring Tryckfjäder; Druckfeder; Ressort de pression	4	172935	
23	Washer Bricka; Scheibe; Rondelle	4	21431	
24	Nut Mutter; Mutter; Ecrou	4	20006	
25	Nut Mutter; Mutter; Ecrou	4	20528	
26	Sleeve Hylsa; Hülse; Douille	2	118313	
27	Cotter pin Saxpinne; Gespalter stift; Goupille fendue	4	20312	
28	Chain Kedja; Ketten; Chaîne	1	169586-355	
28	Chain Kedja; Ketten; Chaîne	1	169586-395	
28	Chain Kedja; Ketten; Chaîne	1	169586-450	
28	Chain Kedja; Ketten; Chaîne	1	169586-500	

Quality Parts

7120-074

Pos	Description	Pcs	Part No	Note
54	Hose Slang; Schlauch; Tuyau flexible	1	170723-610	
54	Hose Slang; Schlauch; Tuyau flexible	1	170723-730	
54	Hose Slang; Schlauch; Tuyau flexible	1	170723-820	
54	Hose Slang; Schlauch; Tuyau flexible	1	170723-950	
55	Plug Plugg; Pfropf; Bouchon	1	28956	OPW

CLICK HERE TO **DOWNLOAD** THE COMPLETE MANUAL

- Thank you very much for reading the preview of the manual.
- You can download the complete manual from: www.heydownloads.com by clicking the link below



- Please note: If there is no response to CLICKING the link, please download this PDF first and then click on it.

CLICK HERE TO **DOWNLOAD** THE COMPLETE MANUAL