

Quality Parts

OMC/ OMCW

Valid for machine number..... 365014 AA-

Only valid for machine number.....

Ordering number 179320

Date 2000-08-14/ ITS/ ESIT

Language..... GB; SE; DE; FR

CLICK HERE TO **DOWNLOAD** THE COMPLETE MANUAL

- Thank you very much for reading the preview of the manual.
- You can download the complete manual from: www.heydownloads.com by clicking the link below



- Please note: If there is no response to CLICKING the link, please download this PDF first and then click on it.

CLICK HERE TO **DOWNLOAD** THE COMPLETE MANUAL

0340-042 Inspection covers

[1998-01-16]

Huvar, luckor; Hauben, Abdeckungen; Capots, couvercles

		457 OMC 458 OMCW	307467 - 307467 -	
Pos	Description	Pcs	Part No	Note
11	Cover(Plastic) Huv(Plast); Haube(Kunststoff); Capot(Plastique)	1	142122	
12	Cover. Lucka; Deckel; Couvercle	1	160774	
13	Cover. Lucka; Deckel; Couvercle	2	152208	
14	Screw Skruv; Schraube; Vis	2	155672	
15	Nut Mutter; Mutter; Erou	2	28931	
16	List List; Leiste; Bande	4	24324	
17	Handle Handtag; Handgriff; Poignée.	1	160378	
18	Plate Plåt; Platte; Plaque	2	160935	
19	Screw Skruv; Schraube; Vis	4	29606	
20	Clip nut Låsclips; Schlitzmutter; Tôle de ecrou	4	29509	
21	Washer Bricka; Scheibe; Rondelle	4	20348	
22	Nit Nit; Niet; Rivet	8	23112	
23	Pin Tapp; Zapfen; Pivot	4	29802	
24	Washer Bricka; Scheibe; Rondelle	4	29510	
25	Washer Bricka; Scheibe; Rondelle	8	20404	
26	Screw Skruv; Schraube; Vis	4	20578	
27	Nut Mutter; Mutter; Erou	4	20081	
28	Sleeve Hylsa; Hülse; Douille	4	42322	
29	Washer Bricka; Scheibe; Rondelle	2	22553	
30	Screw Skruv; Schraube; Vis	2	163077	
31	Washer Bricka; Scheibe; Rondelle	2	20404	
32	Nut Mutter; Mutter; Erou	2	20081	
33	Screw Skruv; Schraube; Vis	4	20002	
34	Washer Bricka; Scheibe; Rondelle	4	20228	
35	Screw Skruv; Schraube; Vis	4	20460	
36	Washer Bricka; Scheibe; Rondelle	4	20404	
37	Plate Plåt; Platte; Plaque	1	160100	
38	Plate Plåt; Platte; Plaque	1	149964	

0560-007 Platform incl. fixing points

[1997-11-18]

Åkplattform med infästning; Fahrerplattform mit Befestigung; Plateforme et fixations

		458 OMCW		307467 -
Pos	Description	Pcs	Part No	Note
11	Arm Arm; Arm; Bras	2	155780	
12	Handle Handtag; Handgriff; Poignée.	2	162128	
13	Arm Arm; Arm; Bras	2	155782	
14	Arm Arm; Arm; Bras	2	155784	
15	Damper Dämpare; Dämpfer; Attenteur	4	69859	
16	Nut Mutter; Mutter; Ecrou	4	20255	
17	Stop lug Stoppklack; Anschlagsstück; Arrêter	2	29951	
18	Screw Skruv; Schraube; Vis	4	28660	
19	Tow bar Dragstång; Zugstange; Timon	4	151235	
20	Tow bar Dragstång; Zugstange; Timon	4	151234	
21	Screw Skruv; Schraube; Vis	4	21503	
22	Screw Skruv; Schraube; Vis	6	157687	
23	Sleeve Hylsa; Hülse; Douille	6	158313	
24	Bush Bussning; Bague; Bague	12	140174	
25	Locking pin Spännstift; Spannstift; Goupille	4	20699	
26	Bolt Bult; Bolzen; Boulon	2	29933	
27	Distance piece Distans; Distanz; Distance	4	29955	
28	Screw Skruv; Schraube; Vis	6	28511	
29	Gas suspension Gasfjäder; Gasfederung; Suspension à gaz	2	152616-001	
30	Cotter pin Saxpinne; Gespalter stift; Goupille fendue	4	21471	
31	Cylinder bolt Cylindrisk bult; Zylinderbolzen; Boulon de cylindrique	2	21449	
32	Screw Skruv; Schraube; Vis	8	20259	
33	Washer Bricka; Scheibe; Rondelle	8	20375	
34	Clamp Klamma; Rohrschelle; Collier	6	20942	
35	Washer Bricka; Scheibe; Rondelle	8	29906	
36	Nut Mutter; Mutter; Ecrou	12	20433	
37	Washer Bricka; Scheibe; Rondelle	4	20375	
38	Washer Bricka; Scheibe; Rondelle	12	21351	
39	Screw Skruv; Schraube; Vis	12	29978	
40	Pillar(Right) Stolpe(Höger); Stange(Recht); Perche(Droit)	1	157656	
40	Pillar(Left) Stolpe(Vänster); Stange(Links); Perche(Gauche)	1	157657	

0850-046 Signs, warnings, decals

[1997-10-23]

Skyltar, varningar, dekaler; Schilder, Warnzeichen, Aufkleber; Vignettes, avertissements, autocollants

Pos	Description	Pcs	Part No	Note
			457 OMC 458 OMCW	307467 - 307467 -
11	Sign Skylt; Schild; Vignette	2	147316	
14	Sign Skylt; Schild; Vignette	2	155160	Only when the functions is there Endast när funktionen finns; Nur wenn the Funktion existiert
15	Sign Skylt; Schild; Vignette	2	155161	Only when the functions is there Endast när funktionen finns; Nur wenn the Funktion existiert
16	Sign(Blank) Skylt(Ämne); Schild(Stoff); Vignette(Forme)	1	148849	
17	Sign(Blank) Skylt(Ämne); Schild(Stoff); Vignette(Forme)	1	148856	
18	Sign(Blank) Skylt(Ämne); Schild(Stoff); Vignette(Forme)	1	148863	
19	Guard tape Skyddstejp; Folie; Endiut protecteur	1	121791-250	
20	Guard tape Skyddstejp; Folie; Endiut protecteur	1	121791-130	
21	Sign Skylt; Schild; Vignette	4	152027	
23	Sign Skylt; Schild; Vignette	2	124363-040	
24	Sign Skylt; Schild; Vignette	2	134063	
25	Sign Skylt; Schild; Vignette	1	72082	
26	Sign Skylt; Schild; Vignette	1	121778	
27	Sign Skylt; Schild; Vignette	1	145312	
28	Sign Skylt; Schild; Vignette	1	124363-022	
29	Sign Skylt; Schild; Vignette	1	130225	
30	Sign Skylt; Schild; Vignette	1	151843	
31	Sign Skylt; Schild; Vignette	1	152546	
32	Sign Skylt; Schild; Vignette	1	133020	
33	Sign Skylt; Schild; Vignette	1	133019	Only when the functions is there Endast när funktionen finns; Nur wenn the Funktion existiert
34	Sign Skylt; Schild; Vignette	1	155176	Only when the functions is there Endast när funktionen finns; Nur wenn the Funktion existiert

1760-008 Electric drive motor

[1999-02-10]

Elektrisk åkmotor; Elektro-Fahrmotor; Moteur de traction électrique

		457 OMC 458 OMCW		334046 - 334046 -	
Pos	Description	Pcs	Part No	Note	
01	Motor(Complete) Motor(Komplett); Motor(Komplett); Moteur(Complet)	1	160606		
02	Carbon brush Kolborste; Kohlebürste; Charbon	4	152973		
03	Brush bridge(Complete) Borstbrygga(Komplett); Bürstenbrücke(Komplett); Support de porte balais(Complet)	1	143820		
09	Rotor Rotor; Rotor; Rotor	1	151429		
10	Stator Stator; Ständer; Stator	1	143816		
11	Key Kil; Keil; Clavette	1	21132		
12	Screw Skruv; Schraube; Vis	4	26652		
13	Locking ring Spärring; Schliessring; Circlip	2	29515		
14	Ball bearing Kullager; Kugellager; Roulement a billes	1	28885		
15	Ring Ring; Ring; Bague	1	143821		
16	End shield Lagersköld; Lagerschild; Bouclier	1	143819		
17	Screw Skruv; Schraube; Vis	8	20831		
18	Spring Fjäder; Feder; Ressort	8	143814		
19	Screw Skruv; Schraube; Vis	8	25064		
20	Washer Bricka; Scheibe; Rondelle	8	21307		
21	Screw Skruv; Schraube; Vis	6	20743		
22	Fan Fläkt; Kühlgebläse; Ventilateur	1	148190		
23	Expanding sleeve Spännbussning; Dehningshülse; Douille expansion	1	143813		
24	Sealing Tätning; Dichtung; Joint	1	28884		
25	Locking ring Spärring; Schliessring; Circlip	1	20923		
26	Key Kil; Keil; Clavette	1	20150		
27	Ball bearing Kullager; Kugellager; Roulement a billes	1	26102		
28	Locking ring Spärring; Schliessring; Circlip	1	20019		
29	End shield Lagersköld; Lagerschild; Bouclier	1	143818		
30	O-ring O-ring; O-ring; Joint torique	1	29453		
31	Plug Propp; Pfropfen; Bouchon	7	148206		
32	Pipe Rör; Rohr; Tube	1	150007		

CLICK HERE TO **DOWNLOAD** THE COMPLETE MANUAL

- Thank you very much for reading the preview of the manual.
- You can download the complete manual from: www.heydownloads.com by clicking the link below



- Please note: If there is no response to CLICKING the link, please download this PDF first and then click on it.

CLICK HERE TO **DOWNLOAD** THE COMPLETE MANUAL

Quality Parts

4110-058

Pos	Description	Pcs	Part No	Note
12	Housing(Right) Kåpa(Höger); Haus(Recht); Chape(Droit)	1	154191	
13	Plug Plugg; Pfropf; Bouchon	1	139240-222	
14	Screw Skruv; Schraube; Vis	6	29777	
15	Capacity detector Kapacitetsgivare; Kapazitätgeber; Capteur par capacité	1	132750	
16	Washer Bricka; Scheibe; Rondelle	3	20375	
17	Screw Skruv; Schraube; Vis	3	20259	
18	Bracket Fäste; Halterung; Support	1	154843	
19	Nut Mutter; Mutter; Ecrou	6	28929	
20	Panel Panel; Paneel; Panneau	1	154839	
21	Screw Skruv; Schraube; Vis	4	28511	
22	Nut Mutter; Mutter; Ecrou	4	28510	
23	Cap Lock; Deckel; Couvercle	4	132577	
24	Washer Bricka; Scheibe; Rondelle	1	135459	
25	Nut Mutter; Mutter; Ecrou	1	20016	
26	Washer Bricka; Scheibe; Rondelle	1	20404	
27	Spinner Spinnare; Lenkfleier; Poignée volant	1	141840	
28	Locking ring Spårring; Schliessring; Circlip	1	20009	
29	O-ring O-ring; O-ring; Joint torique	1	20620	
30	Ball bearing Kullager; Kugellager; Roulement a billes	1	28300	
31	Locking ring Spårring; Schliessring; Circlip	1	20008	
32	Bearing bracket Lagerhållare; Lagerhalten; Support de roulement	1	135461	
33	Screw Skruv; Schraube; Vis	4	21437	
34	Motor Motor; Motor; Moteur	1	145287	
35	Screw Skruv; Schraube; Vis	4	21437	
36	Cap Lock; Deckel; Couvercle	2	141301	
37	Driver Medbringare; Kupplung.; Couplement	1	138688	
38	Screw Skruv; Schraube; Vis	1	22803	
39	O-ring O-ring; O-ring; Joint torique	1	29389	
40	Steering wheel(D = 110 mm) Ratt; Lenkrad; Volant	1	135457	
41	Plug Plugg; Pfropf; Bouchon	1	139240-380	
42	Nut Mutter; Mutter; Ecrou	4	24938	
43	Bracket Fäste; Halterung; Support	1	160776	

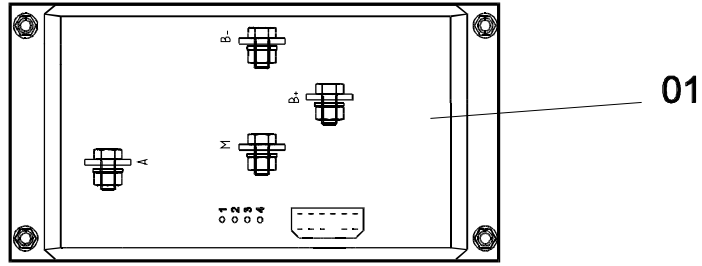
5280-038 Level/position transducers/lamps

[2000-07-12]

Nivå-/lagesmätare/-lampa; Niveau- /Positions-/geber/-lampe; Capteur/lampes témoins de niveau/
position

Pos	Description	Pcs	Part No	Note
			457 OMC 458 OMCW	365014 - 365014 -
11	Altimeter(Complete) Höjdmätare(Komplett); Altimeter(Komplett); Altimètre(Complet)	1	178352	
12	Roller Rulle; Rolle; Roleau	1	152467	
13	Screw Skruv; Schraube; Vis	6	21750	
14	Locking ring Spärring; Schliessring; Circlip	1	20019	
16	Washer Bricka; Scheibe; Rondelle	2	20404	
17	Bracket Fäste; Halterung; Support	1	179213	
18	Screw Skruv; Schraube; Vis	2	26407	
19	Housing Lagerhus; Gehäuse; Carter de roulement	1	152468	
20	Magnet Magnet; Magnet; Magnétique	1	126373	
21	Bracket Fäste; Halterung; Support	1	149710	
22	Screw Skruv; Schraube; Vis	2	20259	
23	Washer Bricka; Scheibe; Rondelle	2	20375	
24	Screw Skruv; Schraube; Vis	2	23638	
25	Nut Mutter; Mutter; Ecrou	2	20255	
26	Washer Bricka; Scheibe; Rondelle	2	22417	
27	Screw Skruv; Schraube; Vis	2	21898	
28	Washer Bricka; Scheibe; Rondelle	2	20236	
29	Magnet switch Magnetbrytare; Magnetschalter; Rupteur de bobine	1	132070-015	
30	Nut Mutter; Mutter; Ecrou	4	20255	
31	Washer Bricka; Scheibe; Rondelle	4	22417	
32	Damper Dämpare; Dämpfer; Attenteur	2	136060	
33	Wire(Meter) Wire(Meter); Drahtseil(Meter); Filament(Metre)	3	137718-002	
34	Cable lock Wirelås; Seilschloss; Blocage de tige	2	143384	
35	Spring Fjäder; Feder; Ressort	1	29659	
36	Plate Plåt; Platte; Plaque	1	142702	
37	Screw Skruv; Schraube; Vis	2	20078	
38	Washer Bricka; Scheibe; Rondelle	2	20404	
39	Bearing Lager; Lager; Roulement	1	160436-001	

5460-015



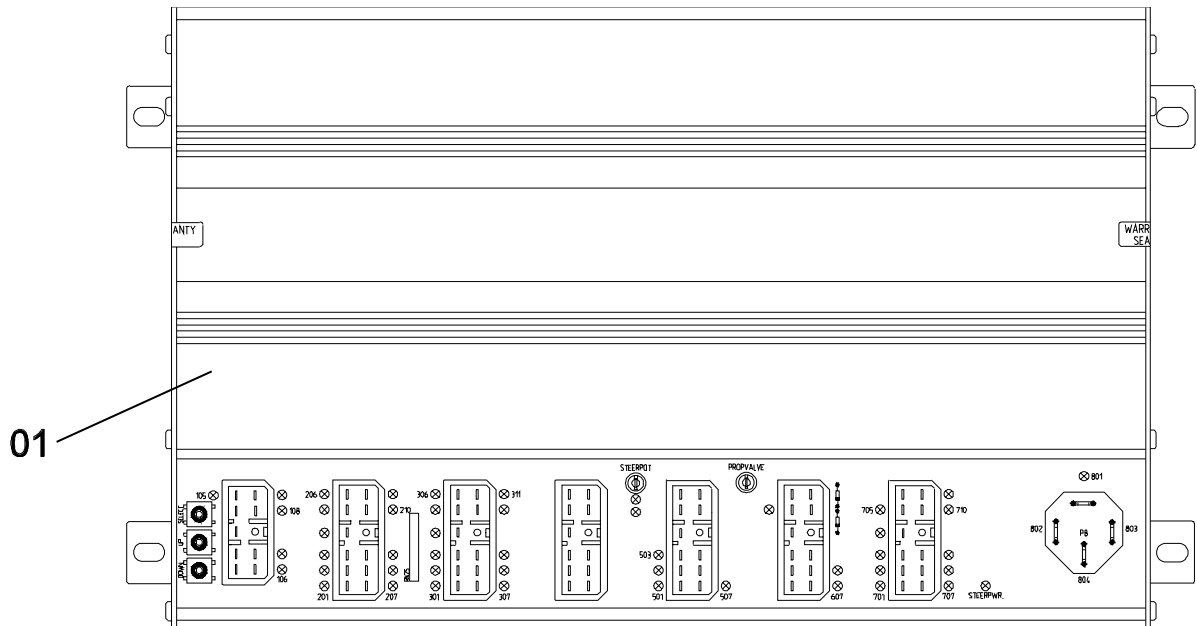
5460-015 Transistor panel

[1996-08-12]

Transistorpanel ; Transistorpanel; Panneau transistor

		457 OMC		307467 -
		458 OMCW		307467 -
Pos	Description	Pcs	Part No	Note
01	Transistor controller Transistorregulator; Transistorregulator; Regulateur des transistors	1	149194-003	

5710-058



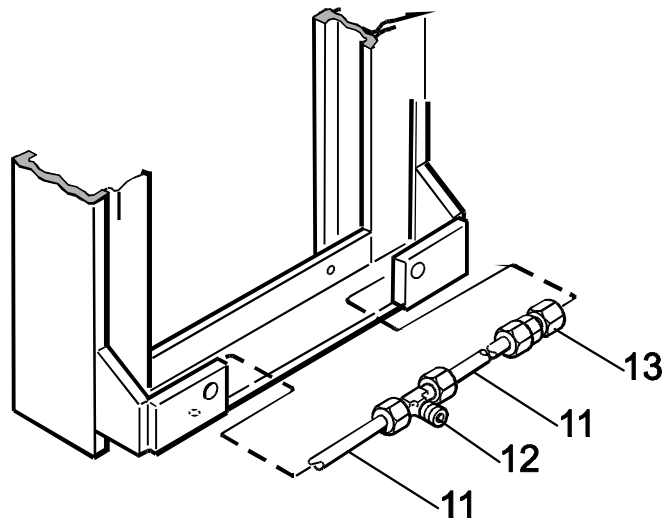
5710-058 Drive/multi-function PCBs

[2000-07-12]

Elektronikkort åkning/kombination; Elektronikkarten Fahren/kombination; Cartes électroniques déplacement/combinaison

Pos	Description	Pcs	Part No	Note
01	Logic card Logikkort; Steuerkarte; Carte de lougique	1	149167-005	

6120-072

**6120-072 Hydraulic tank lines**

[1998-01-19]

Tankhydraulledningar; Hydrauliktankleitungen; Tuyaux réservoir hydraulique

			457 OMC 458 OMCW	307467 - 307467 -
Pos	Description	Pcs	Part No	Note
11	Pipe Rör; Rohr; Tube	2	166439	
12	Connection Koppling; Kupplung; Raccord	1	28017	
13	Connection Koppling; Kupplung; Raccord	2	29532	

6610-014 Main lift cylinders

[2000-08-14]

Huvudlyftcylindrar; Haupthubzylinder; Vérin de levage, principal

		457 OMC 458 OMCW		331570 - 331570 -	
Pos	Description	Pcs	Part No	Note	
01	Lifting cylinder compl	2	149698-360	L = 2080 mm	
01	Lyftcylinder kompl.; Hubzylinder Kompl.; Verin de levage compl.	2	170188-175	Lift height = 1750 mm Lyfthöjd = 1750 mm; Hubhöhe = 1750 mm; Hauteur de libre = 1750 mm	
03	Cylinder pipe Cylinderrör; Zylinderrohr; Tube de cylindre	2	170187-175		
05	Piston rod Kolvstång; Kolbenstange; Tige de piston	2	160016-175		
11	Recondition set Renoveringsatts; Renovierungssatz; Jeux a ´renovation	2	160026		
12	Sealing kit(Piston) Tätningssats(Kolv); Dichtungssatz(Kolben); Jeux d ´étanchéite(Piston)	2	160027		
13	Locking wire Låstråd; Schlossdraht; Cheville	4	153464		
14	Support Hållare; Stossfänger; Absorber des chocs	1	153359		
15	Locking ring Spårring; Schliessring; Circlip	2	20008		
16	Damper Dämpare; Dämpfer; Attenteur	2	153360		
17	Sealing Tätning; Dichtung; Joint	2	22944		
18	Valve body Ventilkropp; Ventilkörper; Corps de soupape	2	153463		
19	Restriction valve Sänkbromsventil; Drosselventil; Soupape de reduction	2	24154		
20	Shim(1 mm) Shims; Schim; Cale		105454		
21	Shim(0,5 mm) Shims; Schim; Cale		120531		
22	Washer Bricka; Scheibe; Rondelle	2	21393		
23	Screw Skruv; Schraube; Vis	2	28308		
24	Stop screw Stoppskruv; Einstellschraube; Vis de arrettoire	2	21346		
25	Screw Skruv; Schraube; Vis	2	28709		
26	Washer Bricka; Scheibe; Rondelle	2	126723-004		
27	Locking pin Spännstift; Spannstift; Goupille	2	21316		
28	Bracket Fäste; Halterung; Support	2	120492		
29	Screw Skruv; Schraube; Vis	4	20460		
30	Washer Bricka; Scheibe; Rondelle	4	20404		

CLICK HERE TO **DOWNLOAD** THE COMPLETE MANUAL

- Thank you very much for reading the preview of the manual.
- You can download the complete manual from: www.heydownloads.com by clicking the link below



- Please note: If there is no response to CLICKING the link, please download this PDF first and then click on it.

CLICK HERE TO **DOWNLOAD** THE COMPLETE MANUAL