

## Quality Parts

PPS 1200MXF

Valid for machine number..... 350497AA-

Only valid for machine number..... 

--	--	--	--	--	--	--	--	--

Ordering number ..... 174370

Date ..... 1999-11-25 / ESDJ

Language..... GB; SE; DE; FR

CLICK HERE TO **DOWNLOAD** THE COMPLETE MANUAL

- Thank you very much for reading the preview of the manual.
- You can download the complete manual from: [www.heydownloads.com](http://www.heydownloads.com) by clicking the link below



- Please note: If there is no response to CLICKING the link, please download this PDF first and then click on it.

CLICK HERE TO **DOWNLOAD** THE COMPLETE MANUAL

**0340-013 Inspection covers**

[1997-11-14]

Huvar, luckor; Hauben, Abdeckungen; Capots, couvercles

		350 PPS 1200MXF		296776 -	
Pos	Description	Pcs	Part No	Note	
11	Lock cpl. Låsvred kompl.; Loch; Serrure	2	134518		
12	Spring Fjäder; Feder; Ressort	4	134385		
13	Cotter pin Saxpinne; Gespalter stift; Goupille fendue	2	21441		
14	Clip nut Låsclips; Schlitzmutter; Tôle de ecrou	2	28979		
15	Cover(Orange) Huv; Haube; Capot	1	134513-030		
16	Cover(Orange) Huv; Haube; Capot	1	134512-030		
17	Cover. Lucka; Deckel; Couvercle	1	144887		
18	Screw Skruv; Schraube; Vis	2	20021		
19	Nut Mutter; Mutter; Ecrou	2	21094		
20	Screw Skruv; Schraube; Vis	2	24546		
21	Distance piece Distans; Distanz; Distance	2	147426		
22	Washer Bricka; Scheibe; Rondelle	2	20404		
23	Nut Mutter; Mutter; Ecrou	2	28930		

**0560-015 Platform incl. fixing points**

[1998-11-17]

Åkplattform med infästning; Fahrerplattform mit Befestigung; Plateforme et fixations

Only for trucks in ASME-design; Endast maskiner enligt ASME-utförande; Nur für Stapler in ASME-ausführung; Seulement du chariot version ASME		350 PPS 1200MXF		329900 -
Pos	Description	Pcs	Part No	Note
11	Carpet Matta; Teppisch; Tapis	1	111791	
12	Bush Bussning; Bague; Bague	2	140178	
13	Axle Axel; Achse; Axe	1	166775	
14	Locking pin Spännstift; Spannstift; Goupille	1	28438	
15	Nut Mutter; Mutter; Ecrou	2	27129	
16	Screw Skruv; Schraube; Vis	2	20542	
17	Cup spring Tallriksfjäder; Tellerfeder; Ressort de disque	54	23986	
18	Screw Skruv; Schraube; Vis	2	26618	
19	Nut Mutter; Mutter; Ecrou	2	21123	
20	Gas suspension Gasfjäder; Gasfederung; Suspension à gaz	1	122314-088	
21	Carpet Matta; Teppisch; Tapis	1	121370	Safety
22	Protection Skydd; Schutz; Protègee	1	129906	Safety
23	Nit Nit; Niet; Rivet	11	28556	Safety
24	Plug Plugg; Pfropf; Bouchon	1	153969	
25	Consol Konsol; Konsole; Console	1	166893	
26	Platform Plattform; Plattform; Plate-forme	1	151567	
27	Cam Nock; Nocken; Came	1	140300	
28	Screw Skruv; Schraube; Vis	1	22801	

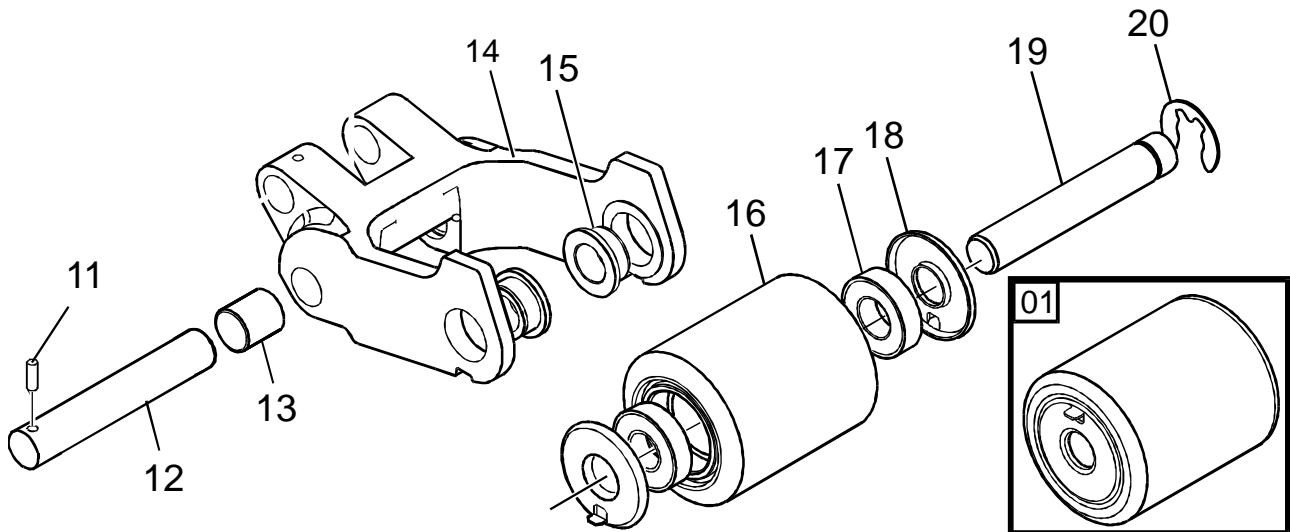
**0850-054 Signs, warnings, decals**

[1997-11-10]

Skyltar, varningar, dekaler; Schilder, Warnzeichen, Aufkleber; Vignettes, avertissements, autocollants

		350 PPS 1200MXF		309700 -	
Pos	Description	Pcs	Part No	Note	
11	Sign Skylt; Schild; Vignette	1	160524		
14	Sign Skylt; Schild; Vignette	1	148227		
15	Sign Skylt; Schild; Vignette	1	72082		
17	Sign(" BT ") Skylt; Schild; Vignette	1	151847		
19	Sign Skylt; Schild; Vignette	1	152027		
20	Sign(" MAXI ") Skylt; Schild; Vignette	1	151856		
21	Sign Skylt; Schild; Vignette	2	147316		
22	Sign Skylt; Schild; Vignette	1	121787-002		
23	Sign Skylt; Schild; Vignette	1	121786-002		
24	Sign Skylt; Schild; Vignette	1	148226		

## 3500-010



## 3500-010 Wheels

Hjul; Räder; Roues

[1997-05-21]

Singel wheel; Singelhjul; Einzelrad; Roue simple		350 PPS 1200MXF		296776 -
Pos	Description	Pcs	Part No	Note
01	Single wheel(Complete) Singelhjul(Komplett); Einzelrad(Komplett); Roue simple(Complett)	2	152344	
11	Locking pin Spännstift; Spannstift; Goupille	2	20001	
12	Axle Axel; Achse; Axe	2	154593	
12	Axle(Stainless Steel) Axel(Rostfri); Achse(Nichtrostende); Axe(Inoxydable)	2	154632	
13	Bush Bussning; Bague; Bague	4	140169	
14	Wheel fork Hjulgaffel; Radgabel; Fourche de roue	2	150113	
15	Bush Bussning; Bague; Bague	4	154117	
16	Wheel Hjul; Rad; Roue	2	150128-095	
17	Ball bearing Kullager; Kugellager; Roulement a billes	4	20906	
18	Sealing Tätning; Dichtung; Joint	4	150127	
19	Axle Axel; Achse; Axe	2	154115	
19	Axle(Stainless Steel) Axel(Rostfri); Achse(Nichtrostende); Axe(Inoxydable)	2	154116	
20	Locking ring Spärring; Schliessring; Circlip	2	24000	

CLICK HERE TO **DOWNLOAD** THE COMPLETE MANUAL

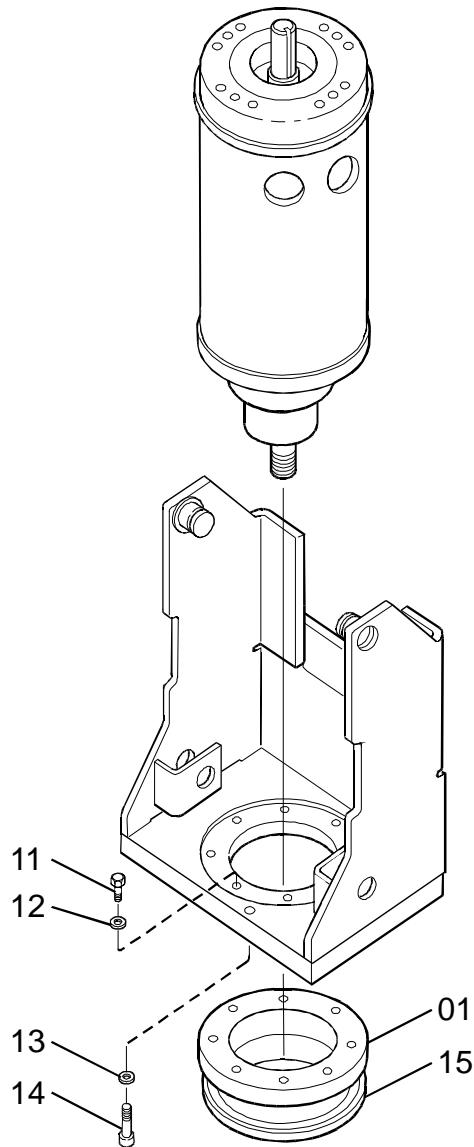
- Thank you very much for reading the preview of the manual.
- You can download the complete manual from: [www.heydownloads.com](http://www.heydownloads.com) by clicking the link below



- Please note: If there is no response to CLICKING the link, please download this PDF first and then click on it.

CLICK HERE TO **DOWNLOAD** THE COMPLETE MANUAL

4180-008

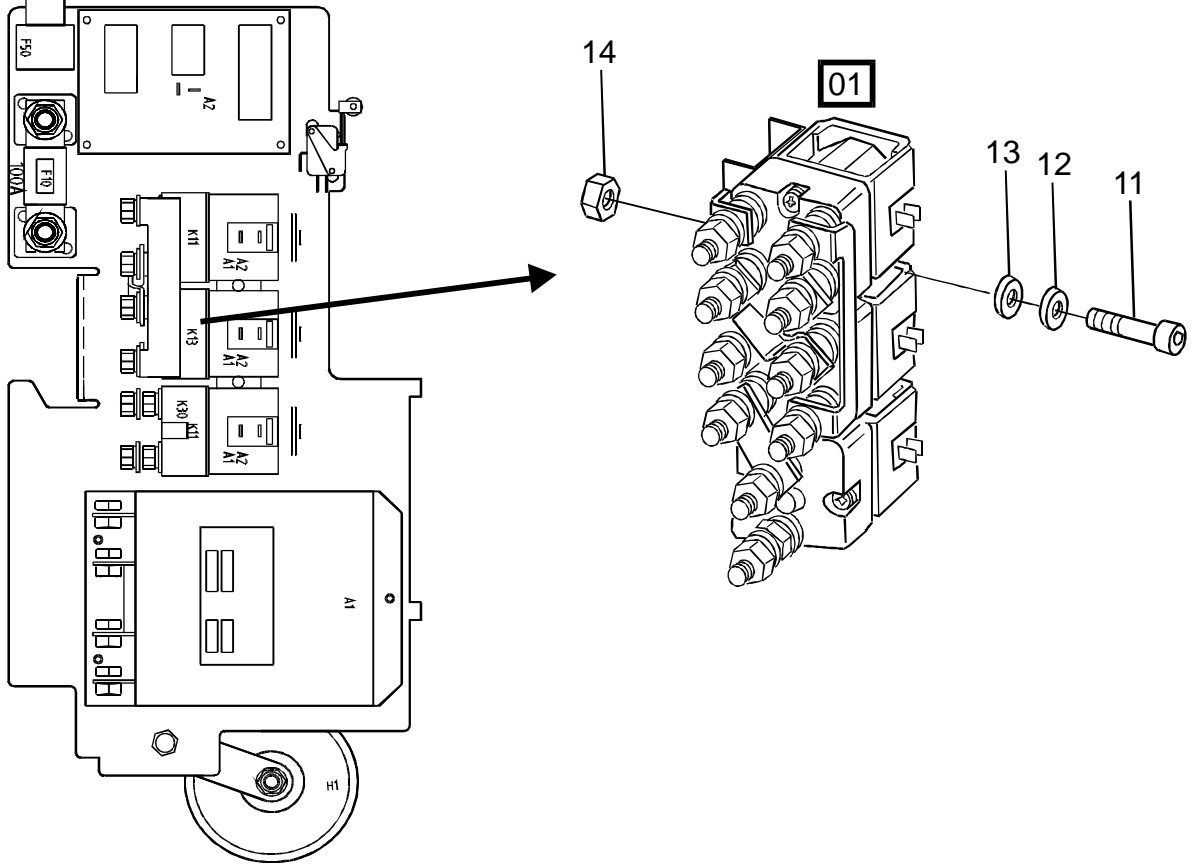
**4180-008 Steering bearings, radial bearing**

[1996-04-02]

Styrlagring/-krans ; Führungslagerung, Lenkkrans; Paliers de direction, paliers radials

Pos	Description	Pcs	Part No	Note
01	Ball bearing Kullager; Kugellager; Roulement a billes	1	110290	
11	Screw Skruv; Schraube; Vis	8	20532	
12	Washer Bricka; Scheibe; Rondelle	8	20375	
13	Washer Bricka; Scheibe; Rondelle	2	20228	
14	Screw Skruv; Schraube; Vis	2	20651	
15	Sealing Tätning; Dichtung; Joint	1	28070	

5400-002



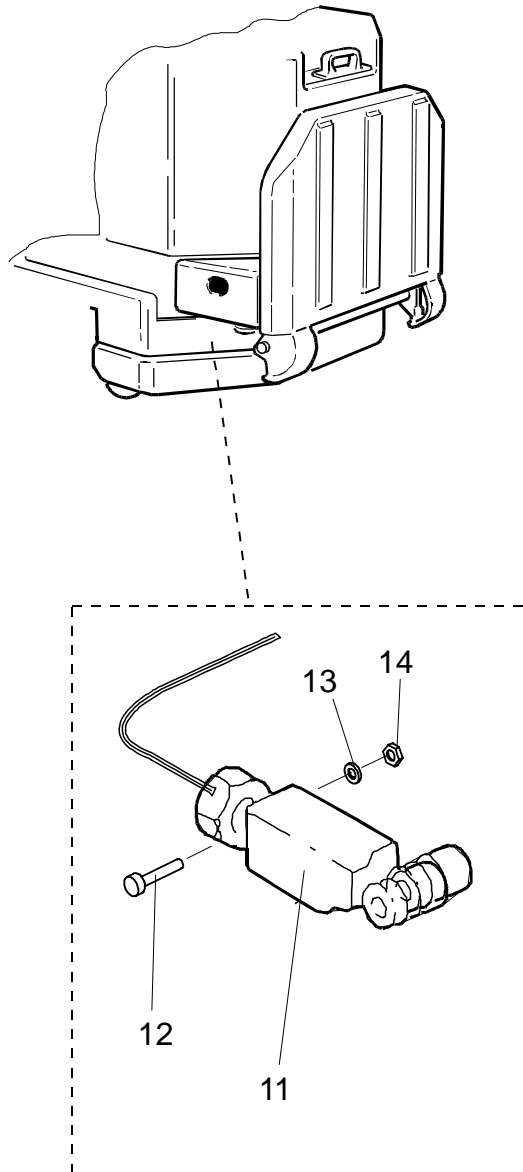
5400-002 Electrical drive motor system

[1996-05-20]

Effektsystem åkfunktion; Leistungssystem Fahrfunktion; Circuit moteur de traction (Puissance) fonction de déplacement

			350 PPS 1200MXF	296776 -
Pos	Description	Pcs	Part No	Note
01	Contactora(Complete) Kontaktor(Komplett); Kontaktor(Komplett); Contacteur(Completa)	1	137198	
11	Screw Skruv; Schraube; Vis	2	26611	
12	Washer Bricka; Scheibe; Rondelle	2	21351	
13	Washer Bricka; Scheibe; Rondelle	2	22474	
14	Nut Mutter; Mutter; Ecrou	2	28929	

5750-083

**5750-083 Safety/ position probes/ sensors**

[1998-11-18]

Skydds-/ läges-givare/-sensor; Schutz- / Positions-schalter/-geber; Emetteurs/capteurs (sondes) de sécurité/ position

Pos	Description	Pcs	Part No	Note
<i>Only for trucks in ASME-design; Endast maskiner enligt ASME-utförande; Nur für Stapler in ASME-ausführung; Seulement du chariot version ASME</i>			350 PPS 1200MXF	329900 -
11	Wiring harness complete(Including switch) Kablage komplett(Inklusive brytare); Kabelsatz Komplett(Inklusive Shalter); Câblage complet(Inclus Rupteur)	1	167732	
12	Screw Skruv; Schraube; Vis	2	22523	
13	Washer Bricka; Scheibe; Rondelle	2	21035	
14	Nut Mutter; Mutter; Ecrou	2	25699	



## Quality Parts

7120-038

Pos	Description	Pcs	Part No	Note
18	<b>Chain complete</b> Kedja komplett; Ketten komplett ; Chaîne complete	1	144716-001	L = 1048 mm
18	<b>Chain complete</b> Kedja komplett; Ketten komplett ; Chaîne complete	1	144716-002	L = 1200 mm
19	<b>Chain bolt</b> Kedjebult; Kettenbolzen; Tourillon de chaîne	1	144713	
20	<b>Chain bolt</b> Kedjebult; Kettenbolzen; Tourillon de chaîne	2	105814	
21	<b>Washer</b> Bricka; Scheibe; Rondelle	4	20404	
22	<b>Cotter pin</b> Saxpinne; Gespalter stift; Goupille fendue	4	21445	
23	<b>Chain(Meter)</b> Kedja(Meter); Ketten(Meter); Chaîne(Metre)		27295	
24	<b>Chain bolt</b> Kedjebult; Kettenbolzen; Tourillon de chaîne	1	105381	
25	<b>Cotter pin</b> Saxpinne; Gespalter stift; Goupille fendue	2	20312	
26	<b>Nut</b> Mutter; Mutter; Erou	2	20006	
27	<b>Nut</b> Mutter; Mutter; Erou	2	20528	
28	<b>Roller(Complete)</b> Rulle(Komplett); Rolle(Komplett); Roleau(Compleat)	4	10604	
29	<b>Locking ring</b> Spårring; Schliessring; Circlip	4	20009	
30	<b>Ball bearing</b> Kullager; Kugellager; Roulement a billes	4	20643	
31	<b>Roller</b> Rulle; Rolle; Roleau	4	33399	
32	<b>Sealing ring</b> Tåtningsring; Dichtungsring; Bague d'étanchéité	4	20645	
33	<b>Locking ring</b> Spårring; Schliessring; Circlip	4	20008	
34	<b>Screw</b> Skruv; Schraube; Vis	4	28522	
35	<b>Guide</b> Styrning; Steuerung; Guidage	4	154572	

**9400-022 Extra electrical equipment**

[1998-11-23]

Extra elektrisk utrustning; Elektrische Zusatzausrüstung ; Equipement électrique supplémentaire

TL5 excluding battericharger; TL5 utan batteriladdare; TL5 ohne Batterie-ladevorrichtung; TL5 sans Chargeur (batterie)		350 PPS 1200MXF		329900 -
Pos	Description	Pcs	Part No	Note
11	Screw Skruv; Schraube; Vis	4	21165	
12	Keypad Tangentbord; Tastatur; Tablette à clefs	1	154828	
13	Screw Skruv; Schraube; Vis	2	20400	
14	Bracket Fäste; Halterung; Support	1	166269	
15	Screw Skruv; Schraube; Vis	1	21141	
16	Screw Skruv; Schraube; Vis	1	21750	
18	Nut Mutter; Mutter; Ecrou	2	20433	
19	Relay Relä; Relais; Relais	1	155009	
20	Washer Bricka; Scheibe; Rondelle	1	20375	
21	Nut Mutter; Mutter; Ecrou	1	20249	
22	Nut Mutter; Mutter; Ecrou	1	20016	
23	Cap Lock; Deckel; Couvercle	1	166268	
24	Rubber washer Gummibricka; Gummischiebe; Rondelle de caoutchouc	1	167513	
25	Cover Huv; Haube; Capot	1	166786-020	Red Röd; Rot; Rouge
25	Cover Huv; Haube; Capot	1	166786-030	Orange
25	Cover Huv; Haube; Capot	1	166786-040	Yellow Gul; Gelb; Jaune
26	Logic box Logikbox; Steuerbox; Boite de logique	1	154825	
27	Wiring harness Kablage; Kabelsatz; Câblage	1	167284	
28	Cable Kabel; Kabel; Câble	1	154762-900	
29	Screw Skruv; Schraube; Vis	2	28530	
30	Screw Skruv; Schraube; Vis	4	168181	
31	Bracket Fäste; Halterung; Support	1	166785	

CLICK HERE TO **DOWNLOAD** THE COMPLETE MANUAL

- Thank you very much for reading the preview of the manual.
- You can download the complete manual from: [www.heydownloads.com](http://www.heydownloads.com) by clicking the link below



- Please note: If there is no response to CLICKING the link, please download this PDF first and then click on it.

CLICK HERE TO **DOWNLOAD** THE COMPLETE MANUAL