

Quality Parts

OS 2.0

Valid for machine number..... 256600AA-268926AA

Only valid for machine number.....

--	--	--	--	--	--	--	--	--	--

Ordering number 143027

Date 1994-11-14 / ITS / ESIF

Language..... GB; SE; DE; FR

CLICK HERE TO **DOWNLOAD** THE COMPLETE MANUAL

- Thank you very much for reading the preview of the manual.
- You can download the complete manual from: www.heydownloads.com by clicking the link below



- Please note: If there is no response to CLICKING the link, please download this PDF first and then click on it.

CLICK HERE TO **DOWNLOAD** THE COMPLETE MANUAL

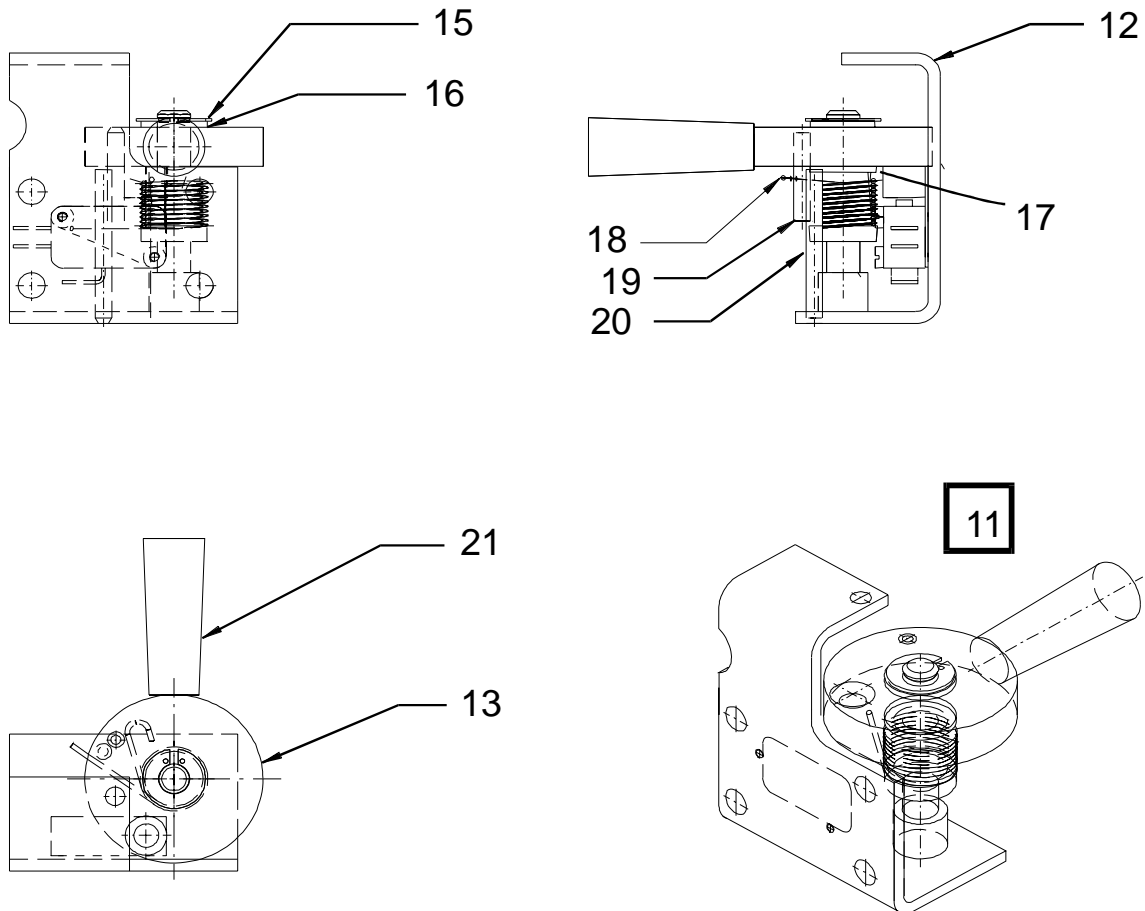
0680-004 Inredningsdetaljer

[1994-07-11]

Internal fittings; Einrichtungsteile; Accessoires intérieurs

		345 OS 2.0		256600 - 271425	
Pos	Description	Pcs	Part No	Note	
11	Fack Compartment; Busche; Boite	1	142498		
12	Fack Compartment; Busche; Boite	1	142499		
13	List(Meter) List(Meter); Leiste(Meter); Bande(Metre)		21762		
14	Skruv Screw; Schraube; Vis	4	29667		
15	Bricka Washer; Scheibe; Rondelle	4	20375		
16	Mutter Nut; Mutter; Ecrou	4	28929		
17	Dyna Cushion; Kissen; Coussin	1	142069		
18	Fäste Bracket; Halterung; Support	4	142225		
19	Fack Compartment; Busche; Boite	2	142500		
20	Skruv Screw; Schraube; Vis	3	25730		
21	Bricka Washer; Scheibe; Rondelle	3	20404		
22	Skruv Screw; Schraube; Vis	4	24431		
23	Dämpare Damper; Dämpfer; Attenteur	4	143212		
24	Plåt(Komplett) Plate(Complete); Platte(Komplett); Plaque(Complet)	1	143539		

3110-002



3110-002 Färdbrsreglage

Travel brake controls; Betriebsbremsregelung; Commandes frein de route

[1994-06-07]

Höger ratt; Right steering wheel; Recht Lenkrad; Droit volant		345 OS 2.0	256600 - 275188	
Pos	Description	Pcs	Part No	Note
11	Bromsreglage komplett(Höger) Brake control complete(Right); Bremsregler komplett(Recht); Levier de frein complete(Droit)	1	142424	
11	Bromsreglage komplett(Fryshus) Brake control complete(Cold stores); Bremsregler komplett(Gefrieranlage); Levier de frein complete(Chambre frigorifique)	1	148097	
12	Fäste Bracket; Halterung; Support	1	142506	
13	Bricka Washer; Scheibe; Rondelle	1	142062	
15	Sparring Locking ring; Schliessring; Circlip	1	20885	
16	Bricka Washer; Scheibe; Rondelle	2	23630	
17	Bricka Washer; Scheibe; Rondelle	4	23630	
18	Fjäder Spring; Feder; Ressort	1	142491	
19	Spännstift Locking pin; Spannstift; Goupille	1	20144	
20	Spännstift Locking pin; Spannstift; Goupille	1	20328	
21	Handtag Handle; Handgriff; Poignée.	1	142492	

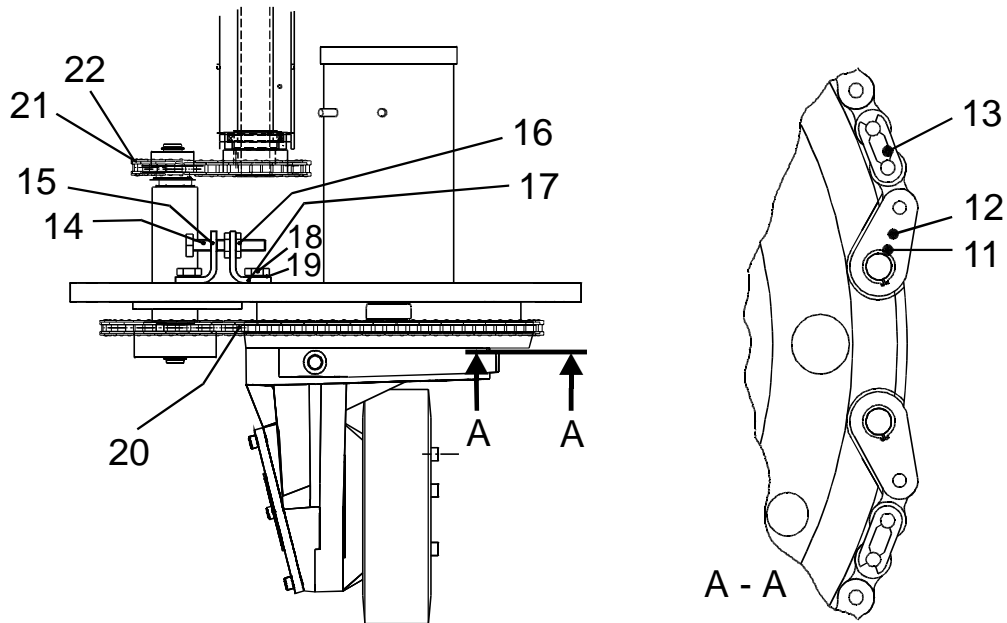
4110-006 Styr- arm/ratt/spak

[1995-03-07]

Steering arm / wheel / lever; Deichsel, Lenkrad-hebel; Timon/volant/levier de direction

Mekanisk styrning; Mechanical steering; Mechanisch steuerung; Direction mécanique		345 OS 2.0	256600 - 268926	
Pos	Description	Pcs	Part No	Note
01	Styrarm kompl.(L = 300 mm) Steering arm compl.; Deichsel kompl.; Timon compl.	1	140926	
01	Styrarm kompl.(L = 440 mm) Steering arm compl.; Deichsel kompl.; Timon compl.	1	140927	
11	Lock(N = 310 mm) Cap; Deckel; Couvercle	1	142793	
11	Lock(N = 175 mm) Cap; Deckel; Couvercle	1	142794	
12	Gasfjäder(400 N) Gas suspension(400 Newton); Gasfederung(400 N); Suspension à gaz(400 N)	1	140940	
12	Gasfjäder(300 N) Gas suspension(300 Newton); Gasfederung(300 N); Suspension à gaz(300 N)	1	140941	
13	Skruv Screw; Schraube; Vis	4	28545	
14	Mutter Nut; Mutter; Ecrou	4	118316-006	
15	Mutter Nut; Mutter; Ecrou	2	21110	
16	Axel Axle; Achse; Axe	1	138444	
17	Bussning Bush; Bague; Bague	2	140177	
18	Fäste Bracket; Halterung; Support	1	147536	
19	Spak Lever; Hebel; Levier	1	140808-001	
20	Spännstift Locking pin; Spannstift; Goupille	1	20686	
21	Fjäder Spring; Feder; Ressort	1	142770	
22	Skruv Screw; Schraube; Vis	2	29668	
23	Bricka Washer; Scheibe; Rondelle	2	22553	
24	Fäste Bracket; Halterung; Support	1	149063	
25	Skruv Screw; Schraube; Vis	2	28970	
26	Fäste Bracket; Halterung; Support	1	147571	
27	Skruv Screw; Schraube; Vis	1	20078	
28	Klamma Clamp; Rohrschelle; Collier	2	20942	
29	Lock Cap; Deckel; Couvercle	1	142250	
30	Lock Cap; Deckel; Couvercle	1	142251	
31	Manöverarmshus Operating arm housing; Steuerarm Gehäuse; Boîtier de timon commande	1	141950	
32	Skruv Screw; Schraube; Vis	12	20867	
33	Handtag Handle; Handgriff; Poignée.	1	141846	
34	Fäste Bracket; Halterung; Support	1	141845	
35	Skruv Screw; Schraube; Vis	2	24470	

4170-004



4170-004 Styrkedja/-länkar, wire

[1998-08-20]

Steering Chain / linkage / wire; Steuerkette/-gelenke/-stahlseil; Chaîne de direction, câble, fixation

Manöverarmsstyrning utan servo; Steering arm without servo; Steuerarm ohne servo; Bras de manoeuvre sans servo			345 OS 2.0	256600 - 268926
Pos	Description	Pcs	Part No	Note
11	Spårring Locking ring; Schliessring; Circlip	4	20885	
12	Ändlänksbricka End link washer; Endgelenkscheibe; Mailon terminal	2	27876	
13	Kedjelås Chain lock; Kettenschloss; Arret de chaine	2	29689	
14	Skruv Screw; Schraube; Vis	1	27631	
15	Fäste Bracket; Halterung; Support	1	138522	
16	Mutter Nut; Mutter; Ecrou	2	20777	
17	Fäste Bracket; Halterung; Support	1	138517	
18	Skruv Screw; Schraube; Vis	2	26618	
19	Bricka Washer; Scheibe; Rondelle	2	21394	
20	Kedja Chain; Ketten; Chaîne	1	142518	
21	Kedja Chain; Ketten; Chaîne	1	142517	
22	Kedjelås Chain lock; Kettenschloss; Arret de chaine	1	26011	

5330-005 **Fartreglering**

[1994-05-30]

Speed control; Geschwindigkeitsreglung; Régulation de vitesse

		345 OS 2.0		256600 - 289678	
Pos	Description	Pcs	Part No	Note	
02	Mikrobrytare(Fryshus) Micro switch(Cold stores); Mikroschalter(Gefrieranlage); Interrupteurs(Chambre frigorifique)	2	147228		
02	Mikrobrytare Micro switch; Mikroschalter; Interrupteurs	2	22409		
03	Manöverdon Operating device; Steuerungsvorrichtung; Bras de commande	2	29078		
13	Skruv Screw; Schraube; Vis	2	20720		
14	Fäste Bracket; Halterung; Support	2	134065		
15	Skruv Screw; Schraube; Vis	2	21134		
18	Bricka Washer; Scheibe; Rondelle	2	21392		
19	Mutter Nut; Mutter; Ecrou	2	20255		
20	Skruv Screw; Schraube; Vis	2	20867		
21	Fäste Bracket; Halterung; Support	1	101215		
22	Bricka Washer; Scheibe; Rondelle	2	21317		
23	Mutter Nut; Mutter; Ecrou	2	20257		
24	Kugghjul Gear wheel; Zahnrad; Roue dentée	1	119697		
25	Potentiometer Potentiometer; Potentiometer; Potentiometre	1	136145		

5750-014 Skydds-/ läges-givare/-sensor

[1995-03-21]

Safety/ position probes/ sensors; Schutz- / Positions-schalter/-geber; Emetteurs/capteurs (sondes) de sécurité/ position

		345 OS 2.0		256600 - 267102	
Pos	Description	Pcs	Part No	Note	
01	Brytare(Komplett) Switch(Complete); Schalter(Komplett); Rupteur(Complect)	1	143538		
02	Brytare Switch; Schalter; Rupteur	1	143171		
03	Gränslägesbrytare(Komplett) Limit switch(Complete); Grenzschalter(Komplett); Limiteur de course(Complect)	1	143559		
04	Mikrobrytare Micro switch; Mikroschalter; Interrupteurs	1	21811		
11	Plåt Plate; Platte; Plaque	1	143092		
12	Skruv Screw; Schraube; Vis	2	26189		
13	Mutter Nut; Mutter; Ecrou	2	21110		
14	Fjäder Spring; Feder; Ressort	1	21411		
15	Fäste Bracket; Halterung; Support	1	143172		
16	Skruv Screw; Schraube; Vis	2	22256		
17	Mutter Nut; Mutter; Ecrou	2	20255		
18	Bricka Washer; Scheibe; Rondelle	2	22417		
19	Skruv Screw; Schraube; Vis	2	20720		
20	Mutter Nut; Mutter; Ecrou	2	20255		
21	Bricka Washer; Scheibe; Rondelle	2	22417		
22	Fäste Bracket; Halterung; Support	1	143029		
23	Skruv Screw; Schraube; Vis	2	20078		
24	Bricka Washer; Scheibe; Rondelle	2	20404		
25	Fäste Bracket; Halterung; Support	1	145314		
26	Tryckknapp Push-button; Druckknopf; Bouton	2	133418		
27	Fäste Bracket; Halterung; Support	2	133419		
28	Kontaktblock Contact device; Kontakteinheit; Unite de contact	2	133420		
29	Induktivgivare Sensing device; Fühler; Emetteur	1	143170-040		

CLICK HERE TO **DOWNLOAD** THE COMPLETE MANUAL

- Thank you very much for reading the preview of the manual.
- You can download the complete manual from: www.heydownloads.com by clicking the link below



- Please note: If there is no response to CLICKING the link, please download this PDF first and then click on it.

CLICK HERE TO **DOWNLOAD** THE COMPLETE MANUAL