



TEREX AERIALS



**Scissor Lift,
Models:**

**TSM20
TSM26
TSM30
TSM32**

PARTS & SERVICE MANUAL

**Terex Worldwide Parts Distribution Center
8800 Rostin Road
Southaven, MS 38671-0923**

Telephone: (662) 393-1351

Facsimile: (662) 393-1751

**Issued: July 2000
Revised: September 2001**

P/N 12261-249

CLICK HERE TO **DOWNLOAD** THE COMPLETE MANUAL

- Thank you very much for reading the preview of the manual.
- You can download the complete manual from: www.heydownloads.com by clicking the link below



- Please note: If there is no response to CLICKING the link, please download this PDF first and then click on it.

CLICK HERE TO **DOWNLOAD** THE COMPLETE MANUAL



TEREX AERIALS

FINAL ASSEMBLY

Model TSM20/26/30/32

Revised 4-2001

2

2.0
Page

SECTION 2 "FINAL ASSEMBLY" CONTAINS:

<u>PAGE</u>	<u>TITLE</u>
2.1	FINAL ASSEMBLY - TSM20, TSM26, TSM30 & TSM32
2.3	WEAR PADS
2.4	PROXIMITY SWITCH
2.5	PLATFORM PIN ASSEMBLY
2.5	SERVICE STAND
2.6	ELECTRICAL RECEPTACLE, POWER TO PLATFORM
2.7	TRUNNION ASSEMBLY
2.7	MANUAL HOLDER ASSEMBLY
2.9	SCISSOR WIRING
2.11	AERIAL CONTROL BOX
2.13	DECALS - TSM20
2.15	DECALS - TSM26
2.17	DECALS - TSM30
2.19	DECALS - TSM32



TEREX AERIALS

AERIAL CONTROL BOX

Model TSM20/26/30/32

Revised 4-2001

22.12
Page

Ref.	Part No.	Description	Qty	Remarks
	135874	Assembly, Aerial Control Box (OEM P/N#SN1293-1AC)	Ref.	
1	601145	Plastic Enclosure	1	Not Shown
2	601146	Back Plate with Latch	1	
3	601147	Controller	1	
	601261	Handle Assembly	1	
	601251	Handle, Front Half	1	
	601252	Handle, Back Half	1	
	601253	Seal	1	
	601248	Nut, Push Button Switch	1	
	601254	Lever, Control Enable Switch	1	
	601255	Boot, Steer Switch	1	
	601256	Rocker, Steer Switch	1	
	601247	Switch, Push Button Controls Enable	1	
	69198	Microswitch, Steer Operation	1	
	601265	Gasket	1	
	67496	Boot, Controller Handle	1	
	67486	Microswitch	1	
	601269	Circuit Board Assembly w/Potentiometer	1	
4	601148	Toggle Switch	1	
5	69245	Toggle Switch	1	
6	70333	Buzzer	1	
7	601150	Guard Rail	1	Not Shown
8	600151	Decal Set	1	
9	601229	Fuse Holder	1	
	601152	Fuse 10A	1	
10	601153	Indicator Lamp, Unstable Condition	1	
		Bulb - 24V	1	
11	69166	Emergency Stop Button	1	
	601021	Contact Block	1	
	601020	Cap, Push/Pull	1	
12	03752903	Switch, Push Button	1	
13		Low Voltage Cut-Out	1	
14		Battery Meter	1	
15		Relay	1	

WHEN ORDERING PARTS, SPECIFY MODEL NUMBER, SERIAL NUMBER AND DESCRIPTION OF PART REQUIRED



TEREX AERIALS

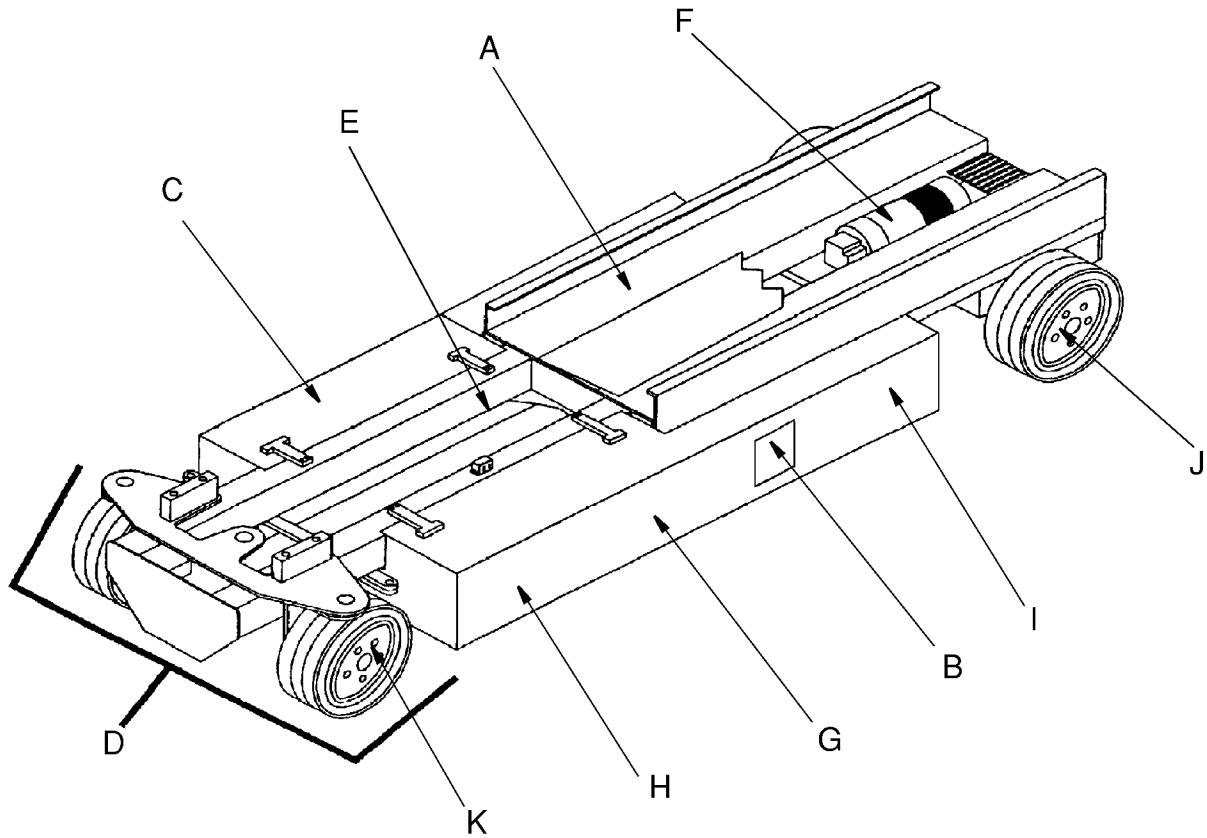
PARTS MANUAL

Model TSM20/26/30/32

Revised 5-2001

3

3.1
Page



Ref.	Part No.	Description	Qty	Remarks
	135878	Assembly, Undercarriage - TSM20	Ref.	
	136003	Assembly, Undercarriage - TSM26	Ref.	
	136071	Assembly, Undercarriage - TSM30	Ref.	
	136120	Assembly, Undercarriage - TSM32	Ref.	
"A"	(Detail "A")	Carriage Assembly - TSM20 & TSM26 Carriage Assembly - TSM30 Carriage Assembly - TSM32	Ref. Ref. Ref.	See Page 3.2 for Details See Page 3.4 for Details See Page 3.6 for Details
"B"	(Detail "B")	Control Box Assembly	Ref.	See Page 3.8 for Details
"C"	(Detail "C")	Battery Assembly	Ref.	See Page 3.9 for Details
"D"	(Detail "D")	Wheel and Steering Assembly - TSM20 Wheel and Steering Assembly - TSM26	Ref. Ref.	See Page 3.10 for Details See Page 3.12 for Details
"E"	(Detail "E")	Hydraulic Assembly - TSM20 Hydraulic Assembly - TSM26 & TSM26 Hydraulic Assembly - TSM30	Ref. Ref. Ref.	See Page 3.14 for Details See Page 3.16 for Details See Page 3.18 for Details
"F"	(Detail "F")	Pump/Motor Mounting Assembly	Ref.	See Page 3.20 for Details
"G"	(Detail "G")	Control Valve Assembly	Ref.	See Page 3.22 for Details
"H"	(Detail "H")	Pothole Protection Assembly	Ref.	See Page 3.24 for Details
"I"	(Detail "I")	Hydraulic Tank Assembly	Ref.	See Page 3.25 for Details
"J"	(Detail "J")	Rear Hub Assembly	Ref.	See Page 3.26 for Details
"K"	(Detail "K")	Front Hub Assembly - TSM20, 26 & 32 Front Hub Assembly - TSM30	Ref. Ref.	See Page 3.28 for Details See Page 3.30 for Details

WHEN ORDERING PARTS, SPECIFY MODEL NUMBER, SERIAL NUMBER, AND DESCRIPTION OF PART REQUIRED



TEREX AERIALS

WHEEL AND STEERING ASSEMBLY

Model TSM20/26/30/32

Revised 3-2001

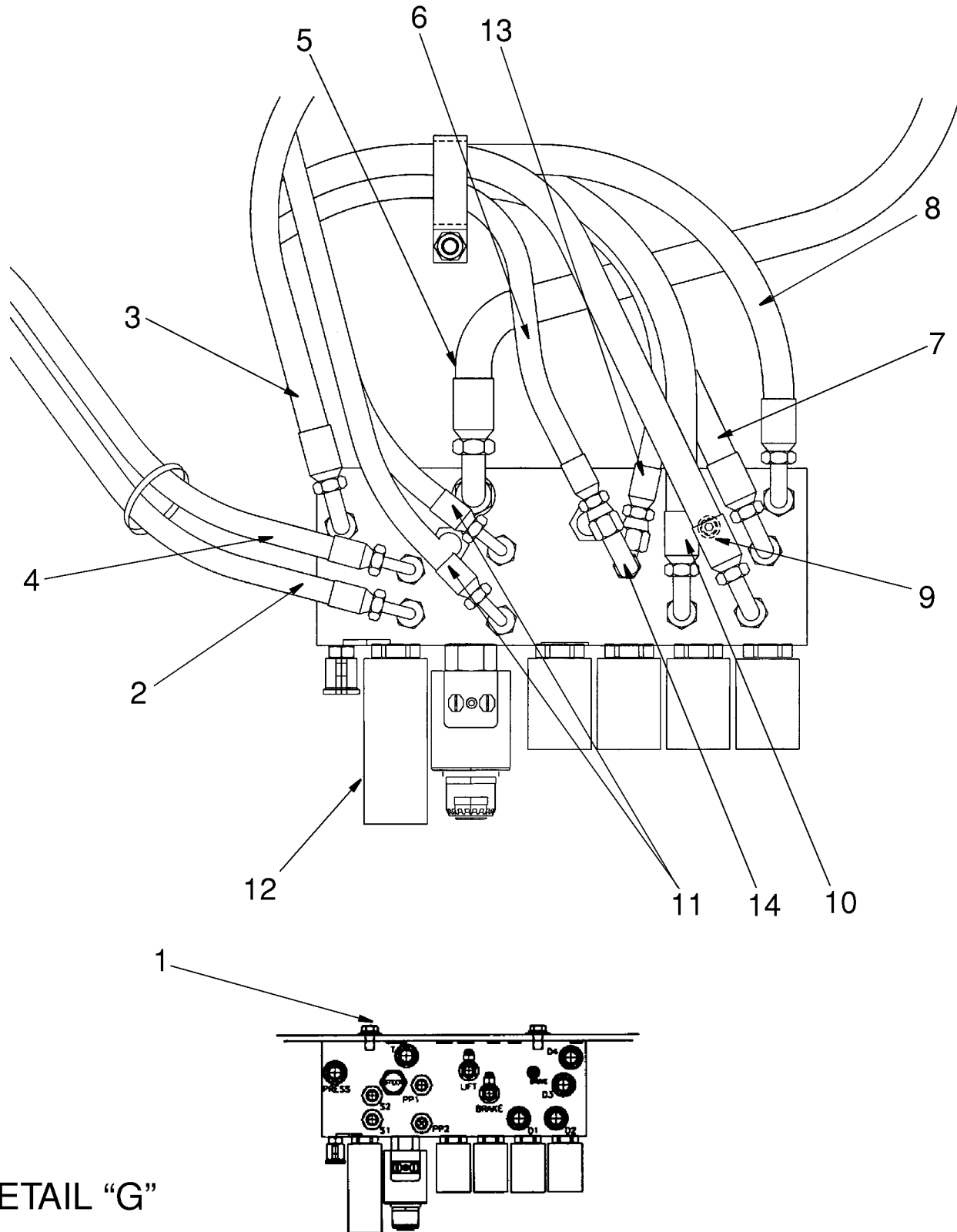
3

3.11
Page

Ref.	Part No.	Description	Qty	Remarks	
"D"	136081	Wheel and Steering Assembly - TSM20	Ref.		
1	135301	Bell Crank	1	Incl. Items 1A, B, and C	
1A	64941	Bushing, Bell Crank (short ear)	1		
1B	64939	Bushing, Bell Crank (long ear)	1		
1C	1214-131	Bushing, Bell Crank	2		
2	1207-43	Cotter Pin, 1/4 x 2 1/4	2		
3	1208-36	Bushing, Machine	2		
4	135286	Plate	1		
5	61316	Wheel Nut, 1/2 - 20 (20 total per machine)	10		
6	136084	Wheel Assembly	4		Includes 6A & 6B
6A	136083	Tire	4		
6B	131631	Wheel	4		
7	1207-12	Cotter Pin, 1/8 x 1	3		(Qty 1 each location)
8	1208-3	Bushing, Machinery	6		(Qty 2 each location)
9	401 6419	Thrust Washer	3		(Qty 1 each location)
10	1227-153	Roll Pin, 5/32 x 1 3/8	3		
11	135280	Pin	3		
12	135281	Link	1		
13	1200-334	Capscrew, .25C x .62	2		
14	160772	Clamp	1		
15	1210-14	Lockwasher, .25	2		
16	1205-13	Nut, .25C	2		



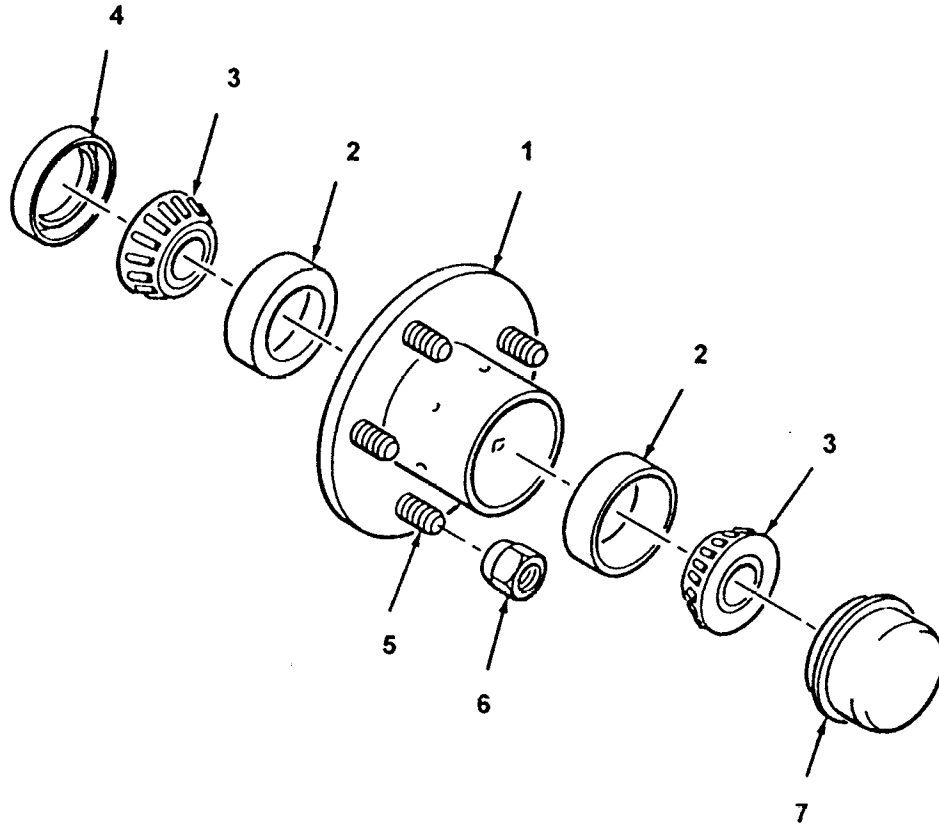
TEREX AERIALS CONTROL VALVE ASSEMBLY



DETAIL "G"



TEREX AERIALS HUB ASSEMBLY



Ref.	Part No.	Description	Qty	Remarks
-	134	Assembly, Hub	Ref.	Incl. Items 1 thru 7
1	65684	Hub (NSS)	1	
2	65686	Race, Bearing	2	
3	65059	Bearing	2	
4	66113	Seal, Grease	1	
5	65685	Studs, Wheel	5	
6	61316	Nut, Lug	5	
7	137	Dust Cap	1	



TEREX AERIALS

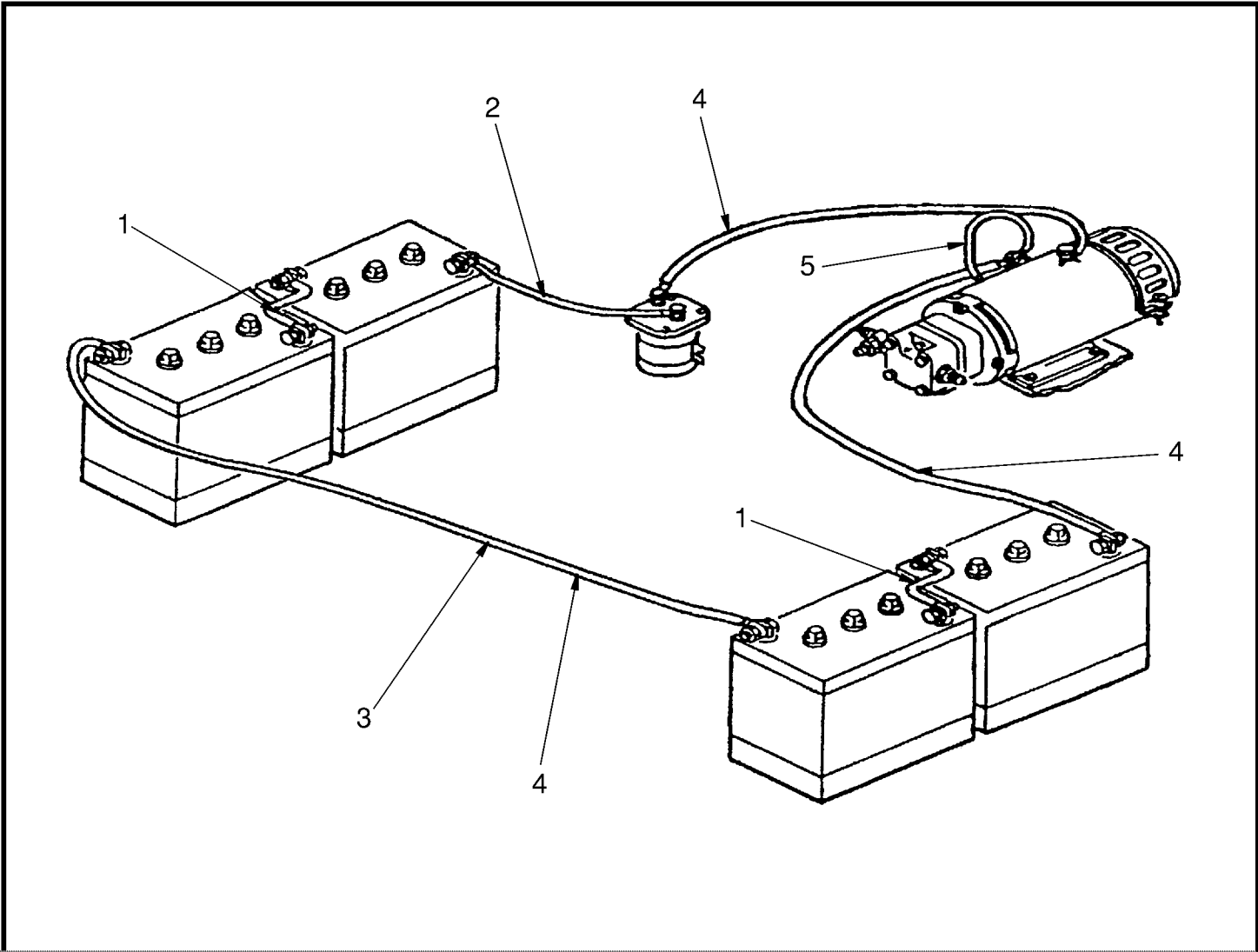
BATTERY CABLES

Model TSM20/26/30/32

Revised 2-2001

3

3.43
Page



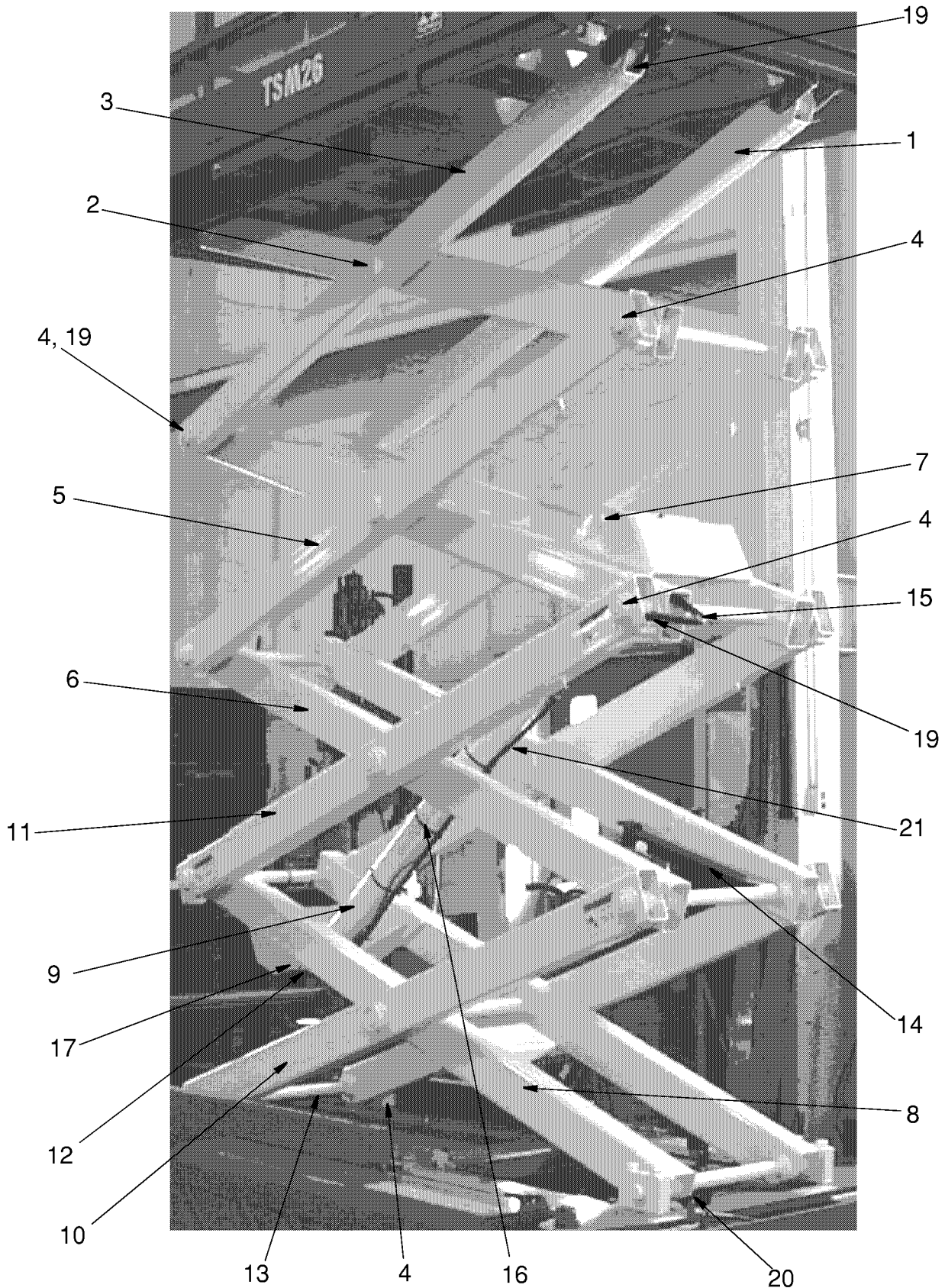
Ref.	Part No.	Description	Qty	Remarks
	70819	Kit, Battery Cable - TSM20	Ref.	Includes Items 1 thru 5
	136096	Kit, Battery Cable - TSM26	Ref.	Includes Items 1, 2 & 4 - 6
1	13226-0120	Battery Cable	2	
2	13226-0150	Battery Cable	1	
3	13226-0510	Battery Cable - TSM20	1	
4	13242-067	Battery Cable	2	
5	13242-012	Battery Cable	1	
6	13226-0670	Battery Cable - TSM26	1	

WHEN ORDERING PARTS, SPECIFY MODEL NUMBER, SERIAL NUMBER, AND DESCRIPTION OF PART REQUIRED



TEREX AERIALS

SCISSOR ASSEMBLY

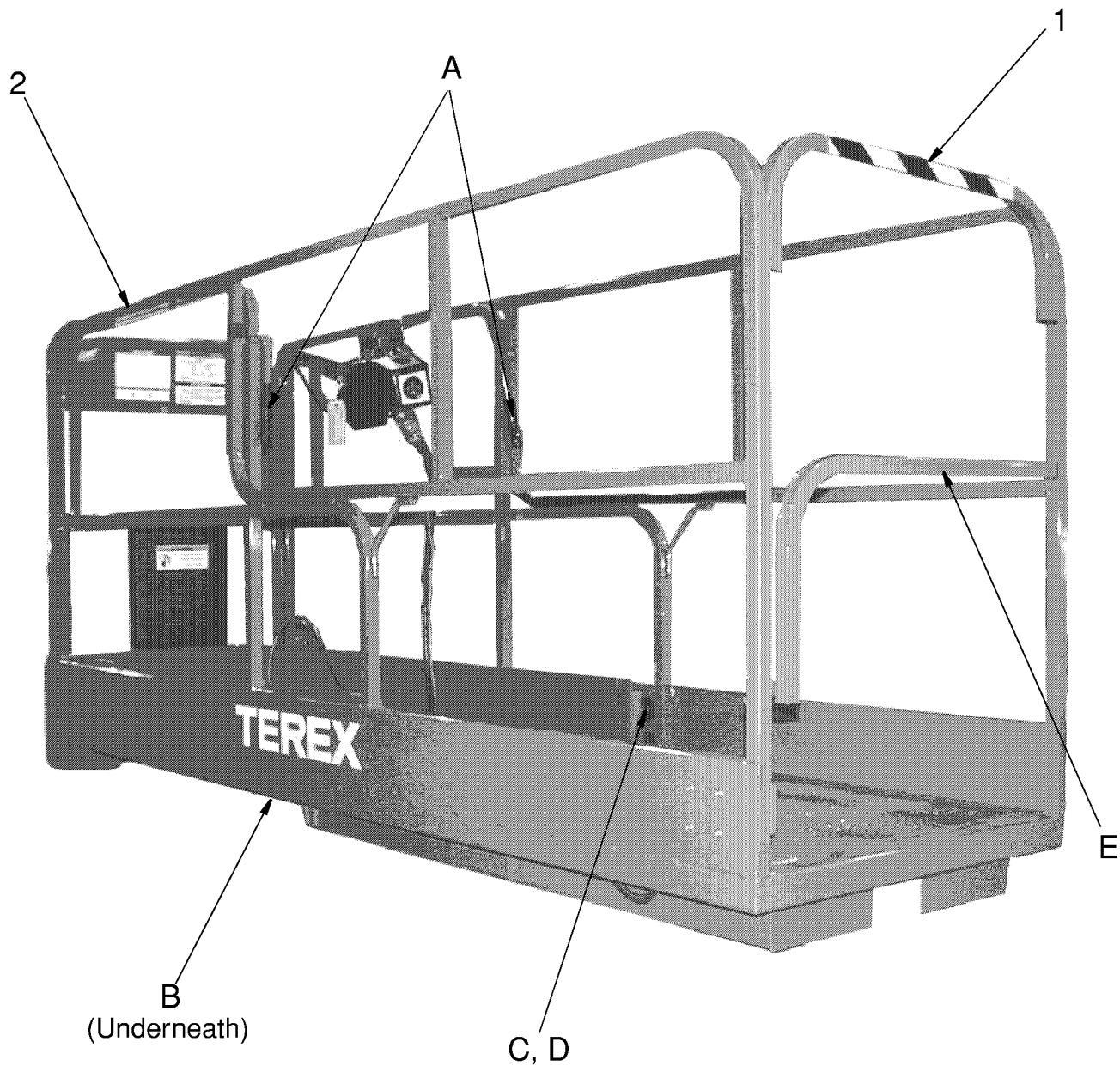


WHEN ORDERING PARTS, SPECIFY MODEL NUMBER, SERIAL NUMBER, AND DESCRIPTION OF PART REQUIRED



TEREX AERIALS

PLATFORM ASSEMBLY



CLICK HERE TO **DOWNLOAD** THE COMPLETE MANUAL

- Thank you very much for reading the preview of the manual.
- You can download the complete manual from: www.heydownloads.com by clicking the link below



- Please note: If there is no response to CLICKING the link, please download this PDF first and then click on it.

CLICK HERE TO **DOWNLOAD** THE COMPLETE MANUAL