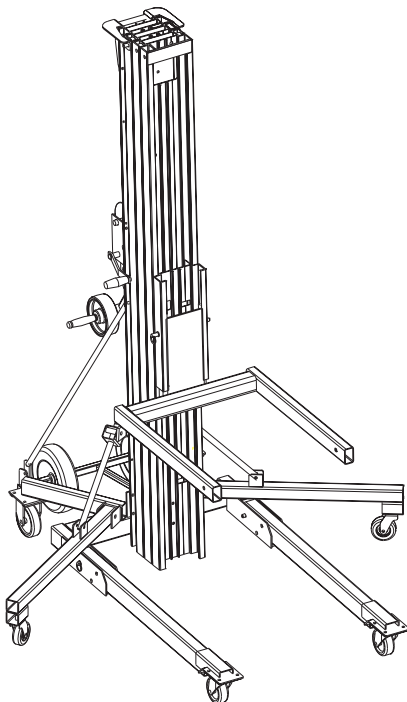


Genie Industries



Genie *SUPERLIFT Contractor*

Parts & Service Manual



First Edition, First Printing
Part No. 33953



CLICK HERE TO **DOWNLOAD** THE COMPLETE MANUAL

- Thank you very much for reading the preview of the manual.
- You can download the complete manual from: www.heydownloads.com by clicking the link below



- Please note: If there is no response to CLICKING the link, please download this PDF first and then click on it.

CLICK HERE TO **DOWNLOAD** THE COMPLETE MANUAL

MAINTENANCE TABLES

Table C






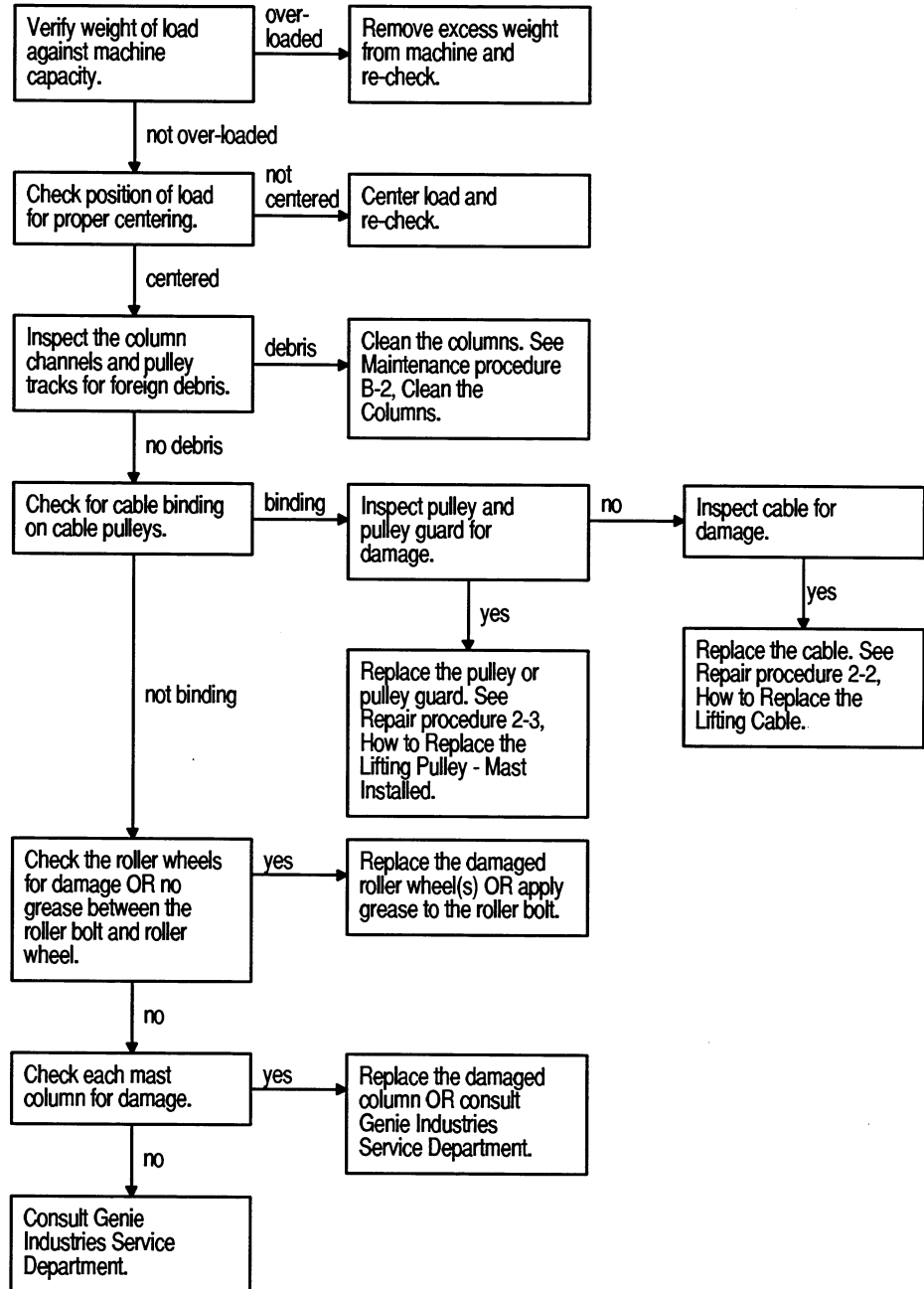
		Tools are required	New parts required	Dealer service suggested
C-1	Lubricate the Casters and Wheels			
C-2	Inspect the Mast Assembly for Wear			
C-3	Replace the Winch Friction Disks			
C-4	Inspect the Safety Brake System - If Equipped			
C-5	Inspect the Painted Surfaces			

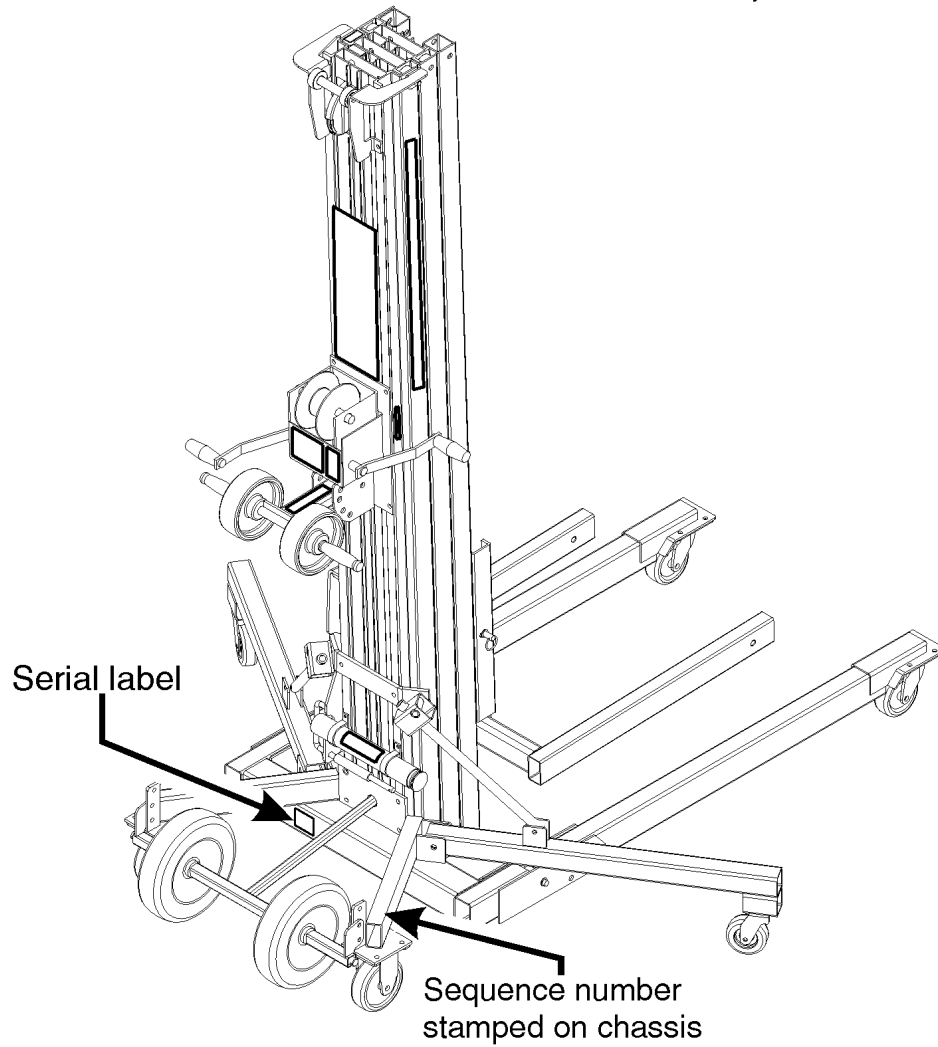
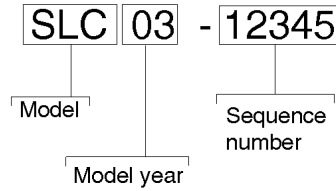
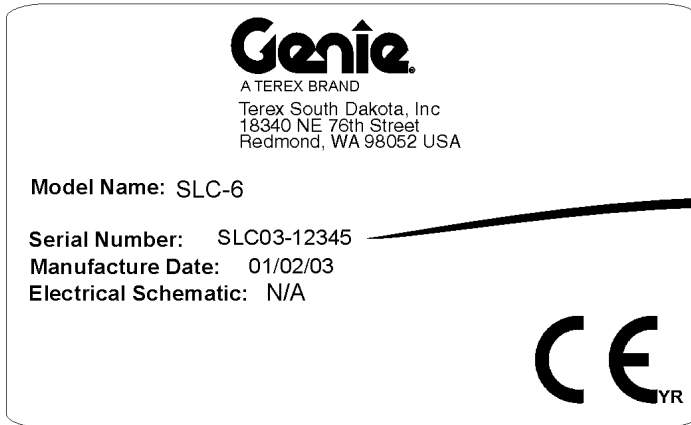
Chart 1

Mast Will Not Sequence Properly

Be sure safety brake (if equipped) is not locked by fully raising and lowering all columns.

Mis-sequencing of the mast columns may occur when the machine is at or near maximum capacity. If mis-sequencing occurs, the columns may shift to their correct position during continued operation or when the load is removed. This shift will not result in a drop of the forks. The carriage should always raise first, and lower last.



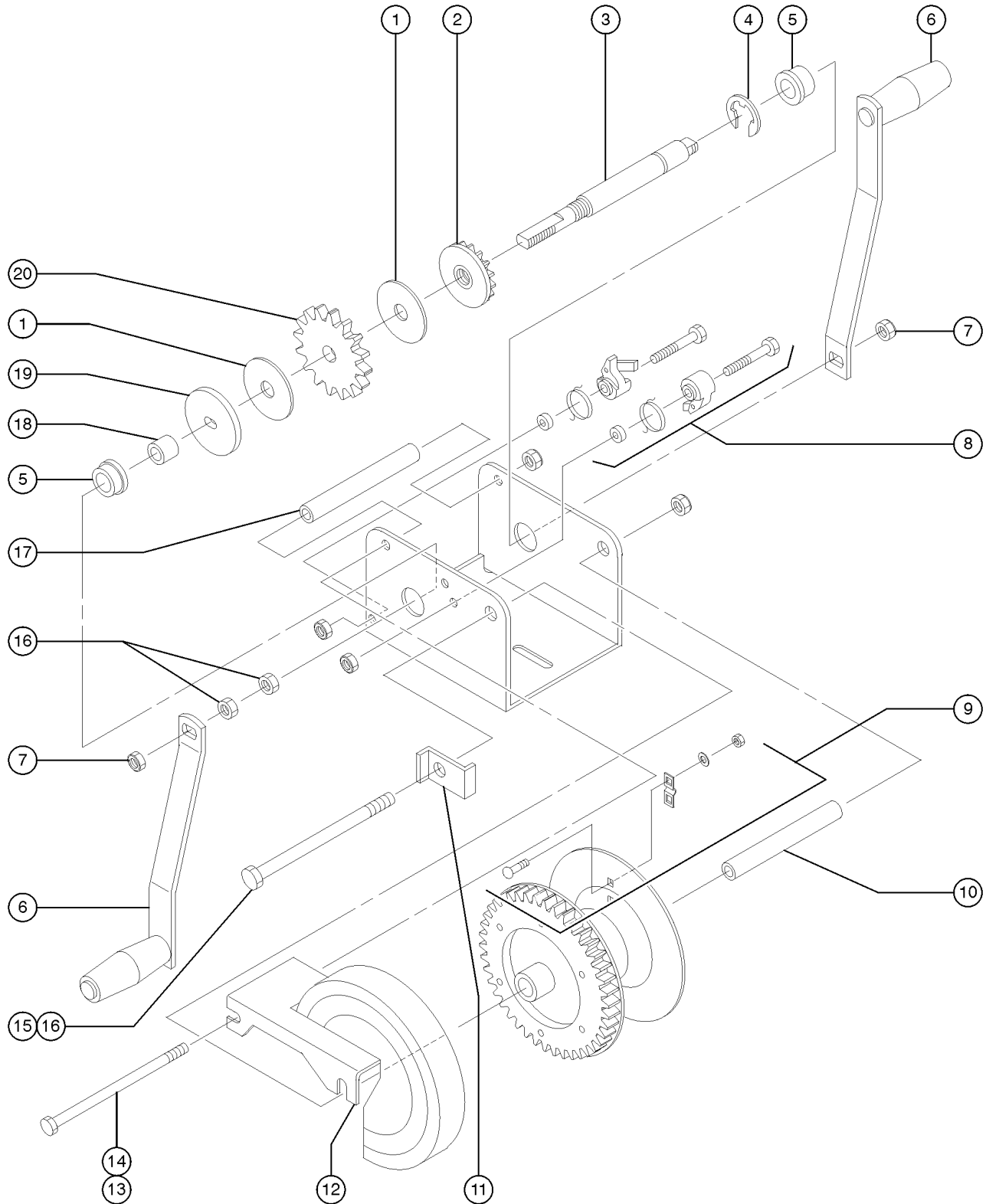


202.1 Base Components, View 2

Item	Part No.	Description	Qty.	Item	Part No.	Description	Qty.
--	35159-S	SLC, STABILIZER ASSY(SET)/SERV		31	8516	SCREW,HHC,3/8-16 X 1.50,GR5.....4	
1	32883	STRUT, LH, SL2.....1	1				
1A	32884	STRUT, RH, SL2.....1 <i>shown</i>	1				
2	4828	NUT,NYLOCK,3/8-16					
3	6097	WASHER,FLAT,USS,3/8",Y					
4	8516	SCREW,HHC,3/8-16 X 1.50,GR5					
5	35212	BRACKET, STAB.MOUNT,"GRAY".....1	1				
6		Ref. Base Assembly with Decals.....1 <i>(refer to 201.1)</i>	1				
7	32509	PIVOT TUBE SL2 LEG.....2	2				
8	6175	SCREW,HHC,3/8-16 X 1					
9	35015	WELDMENT, LEG, SLC-6 GRAY.....2	2				
9A	35016	WELDMENT, LEG, SLC-12 GRAY					
9B	35017	WELDMENT,LEG,SLC-18 GRAY***					
9C	35018	WELDMENT, LEG, SLC-24 GRAY					
10	57734	CASTER,SL,SW, 4 X 1.5.....2	2				
11	32524	AXLE TUBE, SL2 LEG.....2	2				
12	57782	WHEEL,POLYOLEFIN,2.5X1.25,7/8.2					
13	32499	E CLIP,.875 IN.SL LEG.....4	4				
14	33373	WASHER,SHIM,1.50 X .890 X .09...4	4				
15	10598	SCREW,HHC,1/2-13 X 3					
16	6086	NUT,LP NYLOCK,1/2-13					
17	100309	ASSY,PIN & LANYARD***.....2	2				
18	57746	CASTER,POST,SW,3.5X1.25,1/2-13.2					
19	6034	NUT,HEX,JAM,1/2-13					
20	6033	WASHER,LOCK,0.5"					
21	6095	WASHER,FLAT,USS,1/2",Y					
22	35019	WELDMENT, STABILIZER, SLC GRAY.....2	2				
23	5224	SCREW,HHC,3/8-16 X 2					
24	6732	SCREW,HHC,1/2-13 X 3.25					
25	32519	SPRING,STABILIZER LATCH SL2.....2	2				
26	58094	STABILIZER STRUT,ASSY.....2 <i>(includes item 27)</i>	2				
27	11337	PIN,ROLL,.25 X 1.25.....2	2				
28	32577	LATCH PLATE,STABILIZER SL2.....6	6				
29	35213	CLAMP TUBE,STABILIZER-"GRAY".....2	2				
30	32576	PIVOT TUBE,STABILIZER.....2	2				



305.1 Winch Components - Single Speed



CLICK HERE TO **DOWNLOAD** THE COMPLETE MANUAL

- Thank you very much for reading the preview of the manual.
- You can download the complete manual from: www.heydownloads.com by clicking the link below



- Please note: If there is no response to CLICKING the link, please download this PDF first and then click on it.

CLICK HERE TO **DOWNLOAD** THE COMPLETE MANUAL