

ZF 5HP30 Automatic Transmission - Spare Parts Catalog



Table of Contents

5HP30 Transmission Overview (North American Applications)	
Make / Model / Model Year	2
5HP30 Technical Information	
Torque, Gear Ratio & Weight	3
Transmission Oil Reference Guide	3
5HP30 Lubrications	3
5HP30 Technical Literature	3
5HP30 General Transmission Oil Filling Procedure	4
5HP30 Spare Parts	
How To Use This Catalog	6
Gearbox Housing Group	7
Input Group	10
Oil Sump Group	11
Oil Supply Group	12
Output Group	13
Converter Group	14
Parking Lock Group	15
Planetary Drive Groups	16
Clutch Pack Groups	18
5HP30 Valve Body	
Duct Plate Group	25
Valve Housing Groups	27
5HP30 Selective Shims, Snap Rings & Kit Content	
5HP30 Selective Shims & Snap Rings	32
5HP30 Kit Content	34
5HP30 Torque Converter Spare Parts & Kits	
5HP30 Torque Converter Spare Parts	40
5HP30 Torque Converter Kits	40
Miscellaneous	
Quotation / Order Form	41
Notes	42

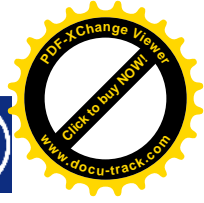
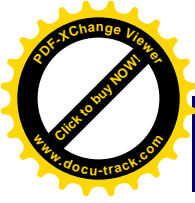
CLICK HERE TO **DOWNLOAD** THE COMPLETE MANUAL

- Thank you very much for reading the preview of the manual.
- You can download the complete manual from: www.heydownloads.com by clicking the link below



- Please note: If there is no response to CLICKING the link, please download this PDF first and then click on it.

CLICK HERE TO **DOWNLOAD** THE COMPLETE MANUAL

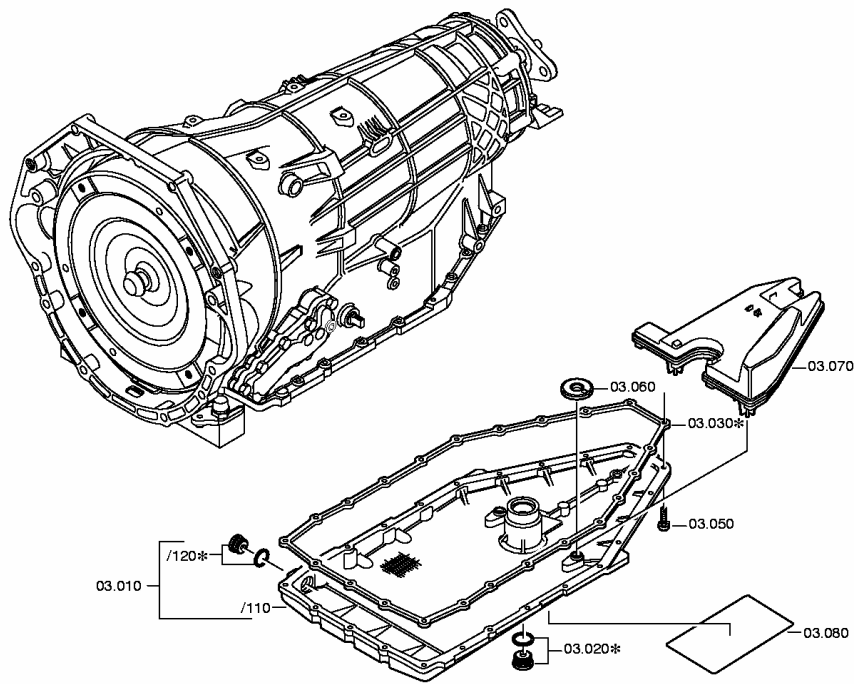


ZF 5HP30 Automatic Transmission - Spare Parts Catalog

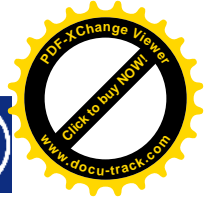
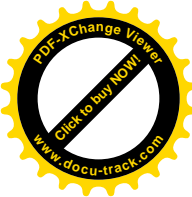


5HP30 Spare Parts – Oil Sump Group

Pos #	ZF Part #	Description	Qty	Where used (1055 000 ___)	Notes
03.010	1055 203 001	Oil Sump	1	010/011/029/030	
	1055 203 002	Oil Sump	1	017/026/027/028/031/ 032/039/040	
03.010/110	1055 303 023	Oil Sump	1	010/011/029/030	
	1055 303 025	Oil Sump	1	017/026/027/028/031/ 032/039/040	
03.010/120	0736 302 023	Screw Plug M24x1.5	1	All	
	0634 801 206	Sealing Ring	1	All	* Available in kit 1055 298 019 * Available in kit 5HP30FK
03.020	0636 302 066	Screw Plug M30x1.5	1	All	
	0634 801 097	Sealing Ring	1	All	* Available in kit 1055 298 019 * Available in kit 5HP30FK
03.030	0750 112 155	Gasket	1	All	* Available in kit 1055 298 019 * Available in kit 5HP30FK
03.050	0736 101 194	Torx Screw M6x25	23	All	
03.060	0750 101 118	Magnet	1	All	
03.070	0501 208 640	Oil Tank	1	All	
03.080	0501 315 497	Stick-On-Label	1	010/011/017/026/029/ 030/031/032/040	

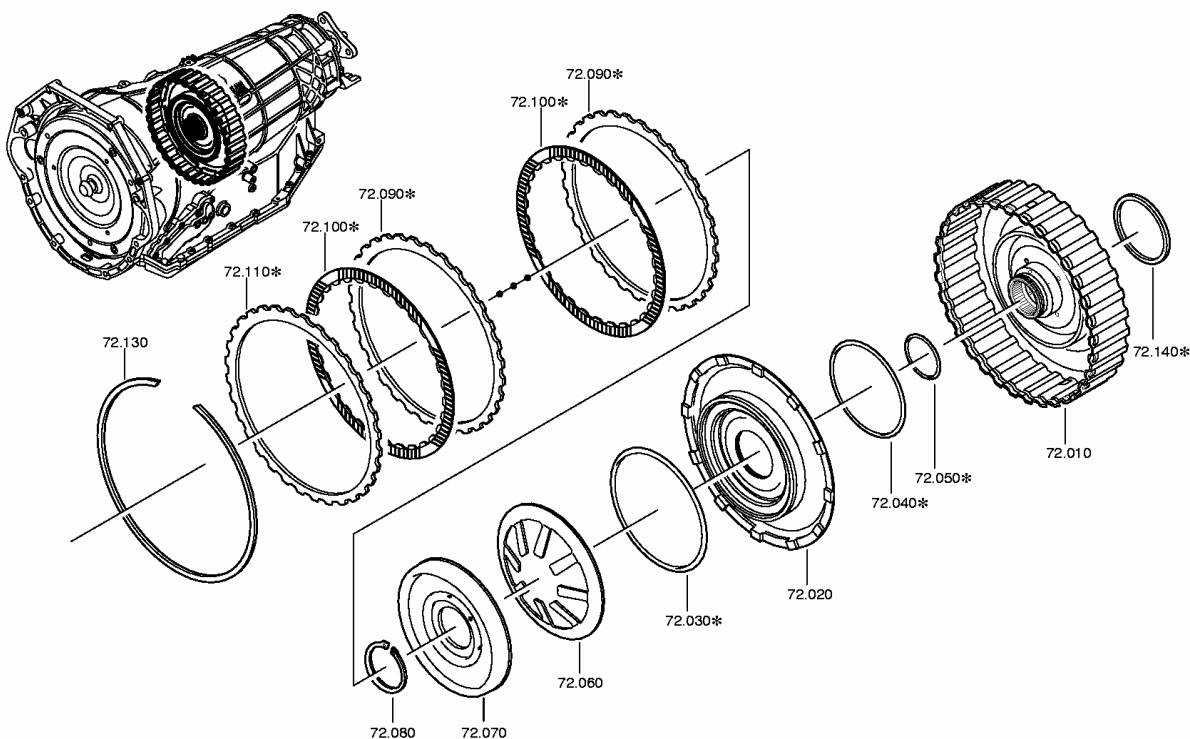


Note: Parts marked with * are only available in kits.



5HP30 Spare Parts – Clutch Pack Groups (continued)

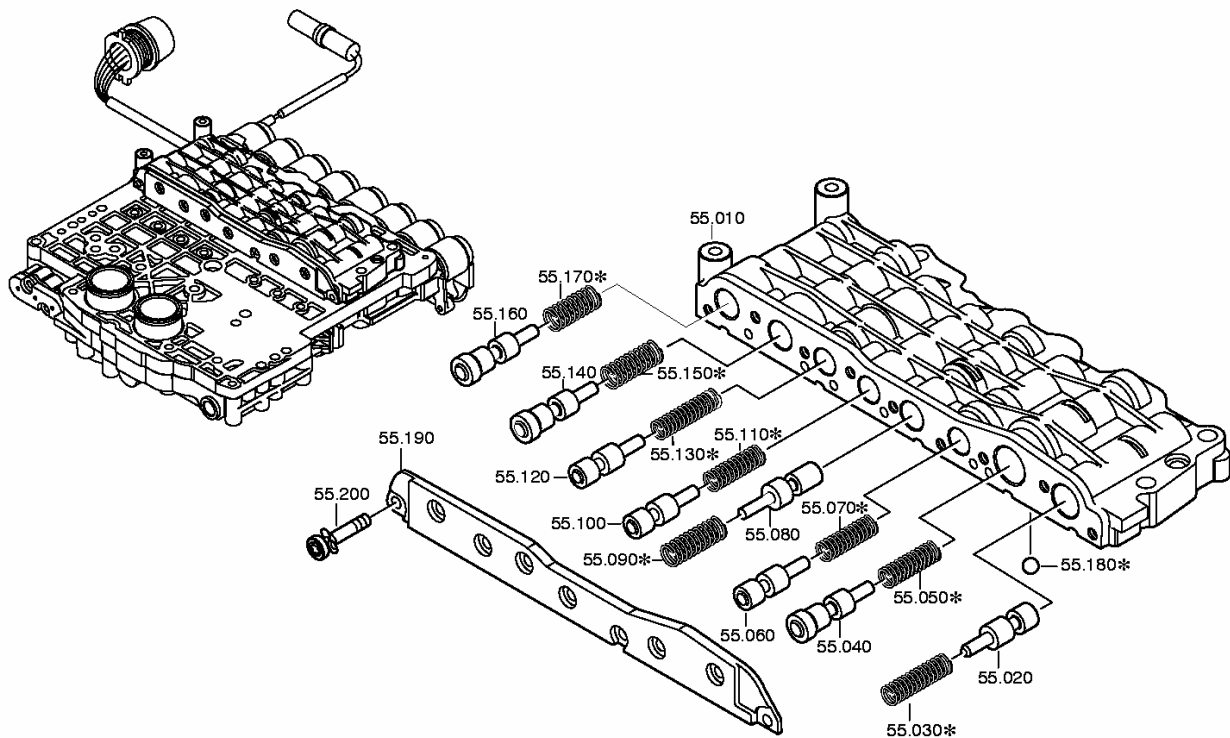
Pos #	ZF Part #	Description	Qty	Where used (1055 000 ___)	Notes
72.010	1055 271 043	Cylinder B	1	017/027/028/032/039/ 040	
	1055 271 044	Cylinder B	1	010/011/026/029/030/ 031	
72.020	1055 371 051	Piston B	1	All	
72.030	0734 313 117	O-Ring	1	All	* Available in kit 1055 298 019
72.040	0734 313 027	O-Ring	1	All	* Available in kit 1055 298 019
72.050	0734 313 118	O-Ring	1	All	* Available in kit 1055 298 019
72.060	0501 313 575	Cup Spring	1	All	
72.070	1055 371 043	Oil Dam B	1	All	
72.080	0730 501 445	Retaining Ring	1	All	
72.090	1055 371 003	Steel Plate B	5	010/011/026/029/030/ 031	* Available in kit 1055 298 027
	1055 371 003	Steel Plate B	6	017/026/027/028/032/ 039/040	* Available in kit 1055 298 027
72.100	1055 271 025	Friction Plate B	5	010/011/029/030/031	* Available in kit 1055 298 024
	1055 271 053	Friction Plate B	5	026	* Available in kit 1055 298 026
	1055 271 054	Friction Plate B	6	017/027/028/032/039/ 040	* Available in kit 1055 298 025
72.110	1055 371 003	End Plate B	1	All	* Available in kit 1055 298 027
72.130	See Page 33	Clutch B Snap Ring	1	All	Selective Snap Ring
72.140	0734 317 217	Piston Ring	1	All	* Available in kit 1055 298 019



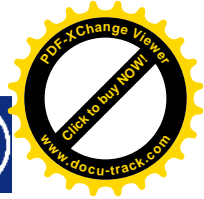
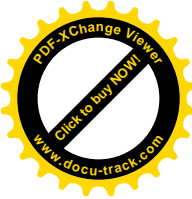
Note: Parts marked with * are only available in kits.

5HP30 Valve Body – Valve Housing Groups (continued)

Pos #	ZF Part #	Description	Qty	Where used (1055 000 ___)	Notes
55.010	1055 327 121	Valve Housing	1	All	
55.020	1055 327 065	Piston	1	All	
55.030	0732 041 462	Compression Spring	1	All	* Available in kit 5HP30VBK
55.040	1055 327 057	Piston	1	All	
55.050	0732 041 826	Compression Spring	1	010/011/029/030/031	* Available in kit 5HP30VBK
	0732 041 976	Compression Spring	1	017/026/027/028/032/ 039/040	
55.060	1043 326 169	Valve Spool	1	All	
55.070	0732 041 337	Compression Spring	1	All	* Available in kit 5HP30VBK
55.080	1055 327 091	Piston	1	All	
55.090	0732 042 382	Compression Spring	1	All	* Available in kit 5HP30VBK
55.100	1043 326 169	Valve Spool	1	All	
55.110	0732 042 504	Compression Spring	1	All	* Available in kit 5HP30VBK
55.120	1043 326 169	Valve Spool	1	All	
55.130	0732 042 022	Compression Spring	1	All	* Available in kit 5HP30VBK
55.140	1055 327 059	Piston	1	All	
55.150	0732 041 667	Compression Spring	1	All	* Available in kit 5HP30VBK
55.160	1055 327 059	Piston	1	All	
55.170	0732 041 325	Compression Spring	1	All	* Available in kit 5HP30VBK
55.180	1043 326 037	Ball	1	All	* Available in kit 5HP30VBK
55.190	1055 327 047	Cover	1	All	
55.200	0736 101 094	Torx Screw	9	All	



Note: Parts marked with * are only available in kits.



ZF 5HP30 Automatic Transmission - Spare Parts Catalog



Quotation / Order Form

FAX FORM TO YOUR PREFERRED ZF PASSENGER CAR TRANSMISSION DISTRIBUTOR

Purchase Order Date: _____

Purchase Order #: _____

Customer Information

Company Name: _____
 Street: _____
 Phone #: _____
 Email: _____

Contact: _____
 City, State & Zip: _____
 Fax #: _____
 Customer #: _____

Shipping Information

Ship To: _____
 Street: _____
 Request Date: _____

Attention: _____
 City, State & Zip: _____
 Ship via: _____

Vehicle Information

Make: _____
 Model Year: _____

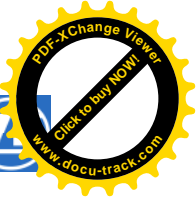
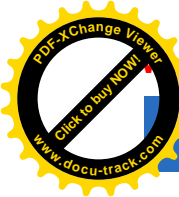
Model: _____
 Transmission Spec: _____

Order Information

Line	Qty	Pos. #	ZF Part #	Description / Cust. Ref. No.
1				
2				
3				
4				
5				
6				
7				
8				
9				
10				
11				
12				
13				
14				
15				
16				
17				
18				
19				
20				

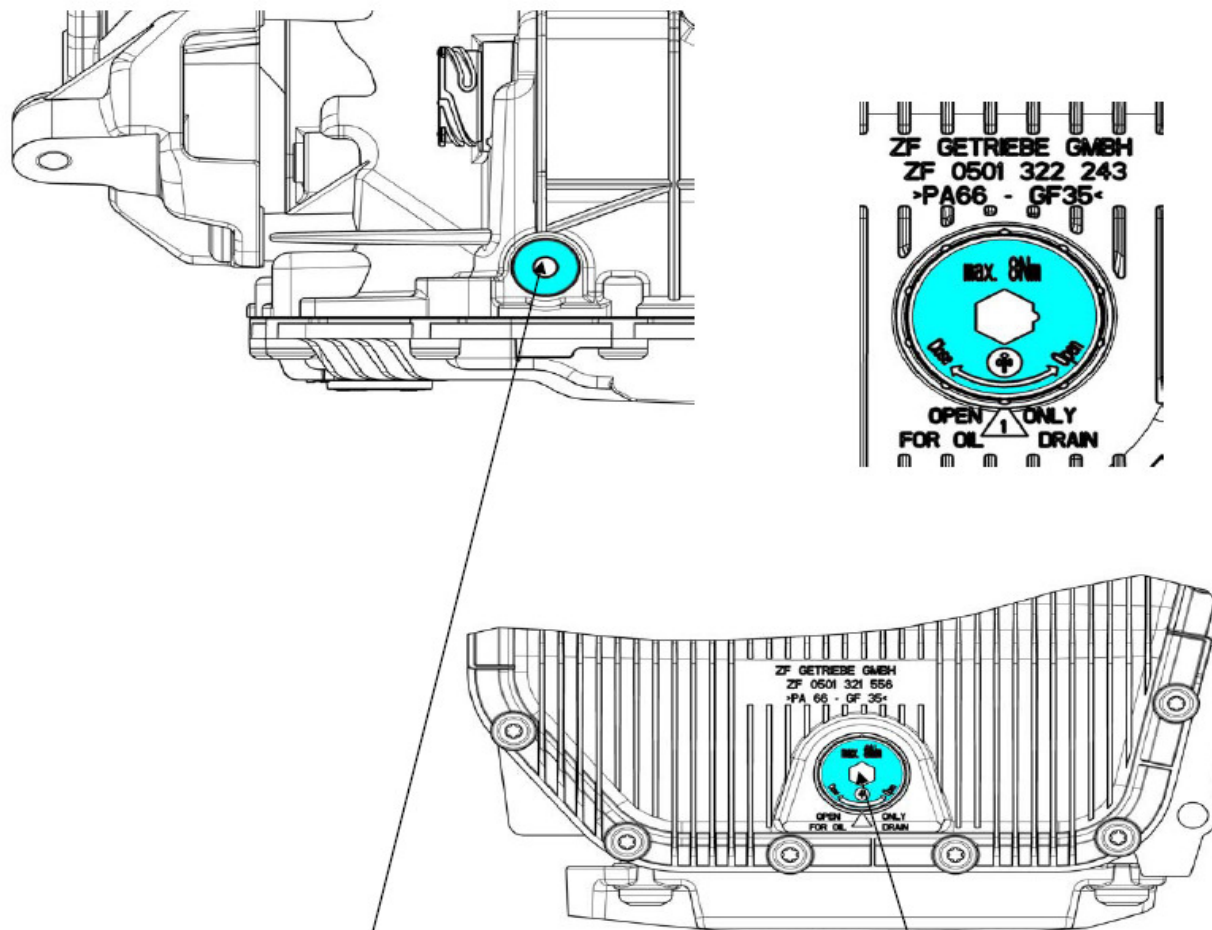
Signature: _____

Date: _____



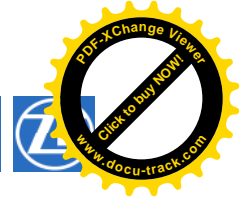
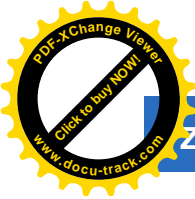
6HP26 / 6HP28 General Transmission Oil Filling Procedure (continued)

Oil service 6HP26 Ford



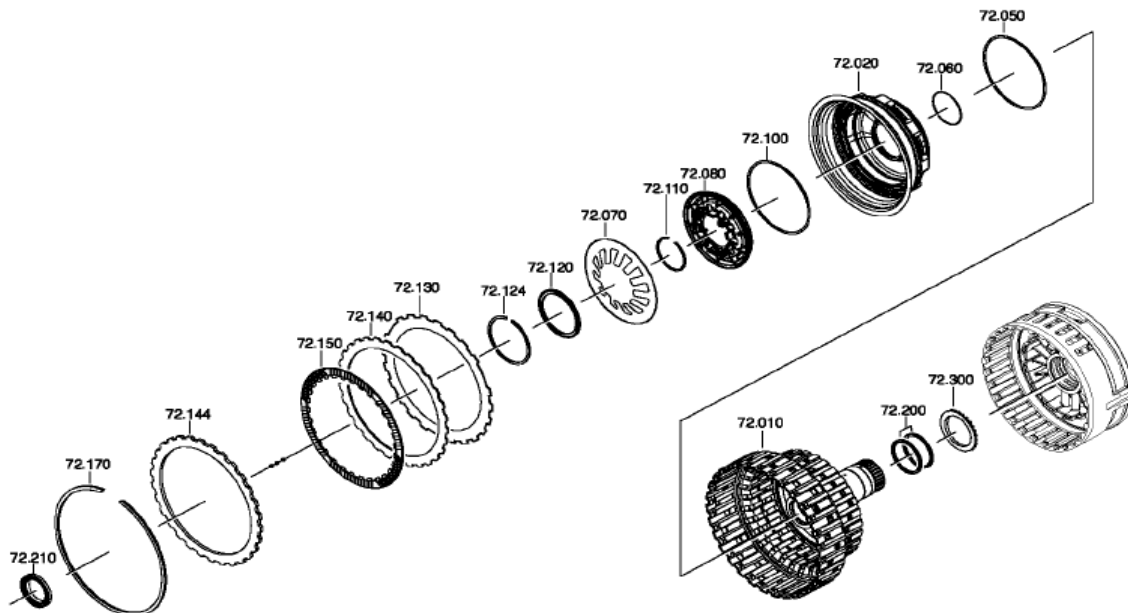
Oil filler screw and oil level screw	M18X1.5
Internal hexagon	8 mm
Tightening torque	35 Nm ± 3.5 Nm

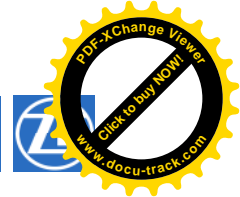
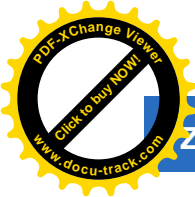
Oil drain plug	M24X1
Internal hexagon	10 mm
Tightening torque	8 Nm



COUPLING B GROUP

Position #	Description	Quantity	Notes
72.010	SUN GEAR SHAFT	1	
72.020	PISTON	1	
72.050	ROUND SEALING RING	1	Included in overhaul kit; see page 34.
72.060	ROUND SEALING RING	1	Included in overhaul kit; see page 34.
72.070	CUP SPRING	1	
72.080	OIL DAM	1	
72.100	ROUND SEALING RING	1	Included in overhaul kit; see page 34.
72.110	SNAP RING	1	2.50 mm
72.120	FIXING WASHER	1	
72.124	SNAP RING	1	1.50 mm
72.130	UNDULATING SPRING	1	
72.140	STEEL PLATE	5	2.10 mm; Included in steel kit; see pages 32 & 33.
72.144	END PLATE	1	Included in steel kit; see pages 32 & 33.
72.150	FRICTION PLATE	5	Included in friction kit; see pages 30 & 31.
72.170	SNAP RING	1	Selective snap ring; see page 27.
72.200	SEALING RING	2	Included in overhaul kit; see page 34.
72.210	AXIAL NEEDLE BEARING	1	
72.300	AXIAL NEEDLE BEARING	1	





ZF 6HP26 / 6HP28 Automatic Transmission – Spare Parts Catalog

6HP26 1068 010 XXX / 6HP28 1068 040 XXX SELECTIVE SHIMS

6HP26 / 6HP28 SELECTIVE SHIM

Position #	Select. Parts	Description	Quantity		Notes
10.090	OIL SUPPLY SHIM				
	0730.009.529	SHIM	1	4.80	
	0730.009.528	SHIM	1	4.60	
	0730.009.527	SHIM	1	4.40	
	0730.009.526	SHIM	1	4.20	
	0730.009.525	SHIM	1	4.00	
	0730.009.524	SHIM	1	3.80	
	0730.009.523	SHIM	1	3.60	
	0730.009.522	SHIM	1	3.40	
	0730.009.521	SHIM	1	3.20	
	0730.009.520	SHIM	1	3.00	
	0730.009.519	SHIM	1	2.80	
0730.009.518	SHIM	1	2.60		

6HP26 / 6HP28 SELECTIVE SHIM

Position #	Select. Parts	Description	Quantity		Notes
14.050	OUTPUT SHIM				
	0730.112.651	SHIM	1	2.80	
	0730.112.650	SHIM	1	2.60	
	0730.112.649	SHIM	1	2.40	
	0730.112.648	SHIM	1	2.20	
	0730.112.647	SHIM	1	2.00	
	0730.112.646	SHIM	1	1.80	
	0730.112.645	SHIM	1	1.60	
	0730.112.644	SHIM	1	1.40	
0730.112.643	SHIM	1	1.20		

CLICK HERE TO **DOWNLOAD** THE COMPLETE MANUAL

- Thank you very much for reading the preview of the manual.
- You can download the complete manual from: www.heydownloads.com by clicking the link below



- Please note: If there is no response to CLICKING the link, please download this PDF first and then click on it.

CLICK HERE TO **DOWNLOAD** THE COMPLETE MANUAL