



# Spare Parts Catalog

16 S 2723 TO  
RENAULT TRUCKS

Material number: 1345.001.004

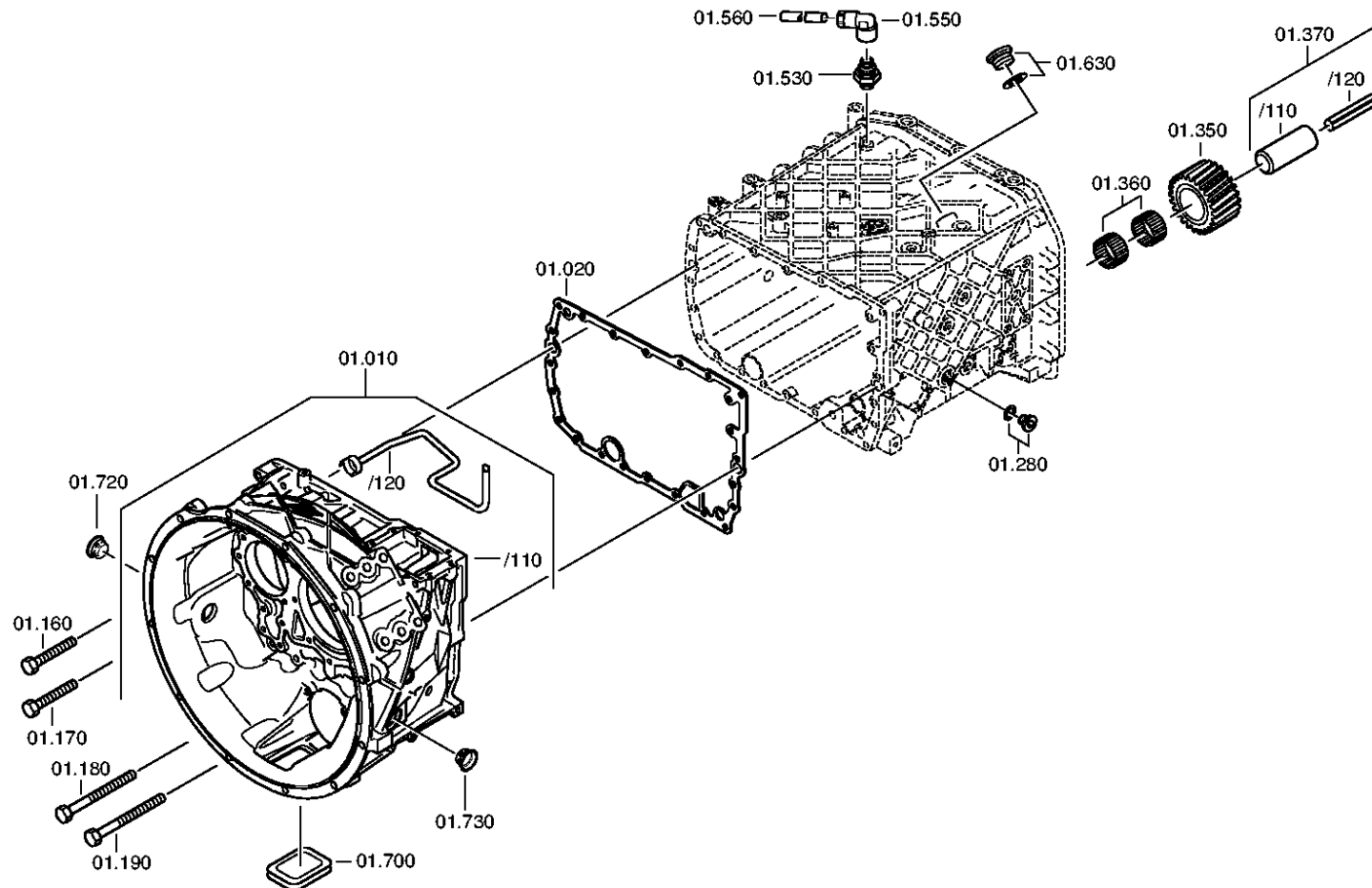
CLICK HERE TO **DOWNLOAD** THE COMPLETE MANUAL

- Thank you very much for reading the preview of the manual.
- You can download the complete manual from: [www.heydownloads.com](http://www.heydownloads.com) by clicking the link below



- Please note: If there is no response to CLICKING the link, please download this PDF first and then click on it.

CLICK HERE TO **DOWNLOAD** THE COMPLETE MANUAL





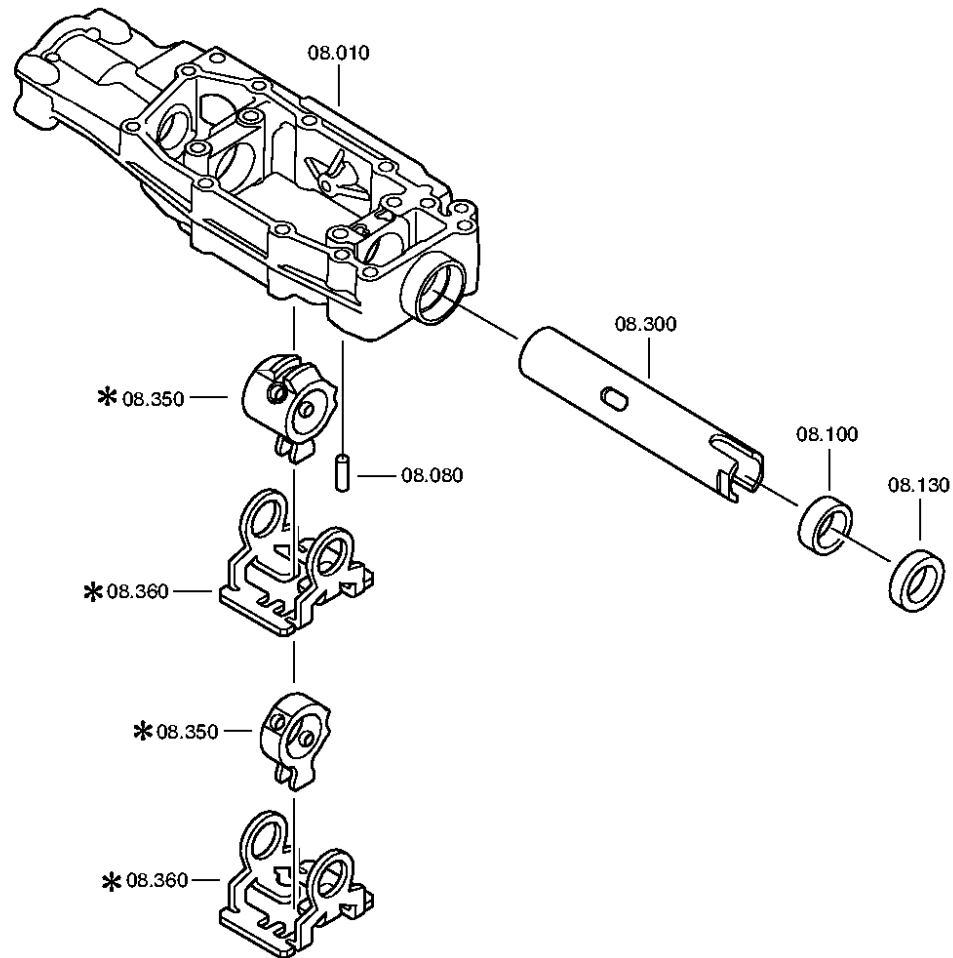
| Pos. | Material number | Name     | VKF | Amend. no.       | Amend. start | Prod. no.  | Material feature / tech. info.   | OTK | External material no. | ID | Weight | SP |
|------|-----------------|----------|-----|------------------|--------------|------------|----------------------------------|-----|-----------------------|----|--------|----|
| 10   | 1316.303.038    | LAYSHAFT | 1   |                  | 00.00.0000   |            | Z17/20 IN 1316 303 047(0)        |     |                       | 5  | 0,000  |    |
| 20   | ---             | SHIM     | 1   |                  | 00.00.0000   |            | A= 1,85- 3,25( ABSTUFUNG:0,05MM) |     |                       | 3  | 0,000  |    |
| ---  | 0730.112.938    | SHIM     | 1   | C0100737<br>5C10 | 00.00.0000   | 00.00.0000 | A=3,25                           |     |                       | 5  | 0,000  |    |
| ---  | 0730.112.937    | SHIM     | 1   | C0100737<br>5C10 | 00.00.0000   | 00.00.0000 | A=3,20                           |     |                       | 5  | 0,000  |    |
| ---  | 0730.112.936    | SHIM     | 1   | C0100737<br>5C10 | 00.00.0000   | 00.00.0000 | A=3,15                           |     |                       | 5  | 0,000  |    |
| ---  | 0730.112.935    | SHIM     | 1   | C0100737<br>5C10 | 00.00.0000   | 00.00.0000 | A=3,10                           |     |                       | 5  | 0,000  |    |
| ---  | 0730.106.860    | SHIM     | 1   | C0100737<br>5C10 | 00.00.0000   | 00.00.0000 | A=3,05 IN 0730 106 904(2)        |     |                       | 5  | 0,000  |    |
| ---  | 0730.106.917    | SHIM     | 1   |                  | 00.00.0000   |            | A=3,00 IN 0730 106 904(2)        |     |                       | 5  | 0,000  |    |
| ---  | 0730.106.916    | SHIM     | 1   |                  | 00.00.0000   |            | A=2,95 IN 0730 106 904(2)        |     |                       | 5  | 0,000  |    |
| ---  | 0730.106.915    | SHIM     | 1   |                  | 00.00.0000   |            | A=2,90 IN 0730 106 904(2)        |     |                       | 5  | 0,000  |    |
| ---  | 0730.106.914    | SHIM     | 1   |                  | 00.00.0000   |            | A=2,85 IN 0730 106 904(2)        |     |                       | 5  | 0,000  |    |
| ---  | 0730.106.913    | SHIM     | 1   |                  | 00.00.0000   |            | A=2,80 IN 0730 106 904(2)        |     |                       | 5  | 0,000  |    |
| ---  | 0730.106.912    | SHIM     | 1   |                  | 00.00.0000   |            | A=2,75 IN 0730 106 904(2)        |     |                       | 5  | 0,000  |    |
| ---  | 0730.106.911    | SHIM     | 1   |                  | 00.00.0000   |            | A=2,70 IN 0730 106 904(2)        |     |                       | 5  | 0,000  |    |
| ---  | 0730.106.910    | SHIM     | 1   |                  | 00.00.0000   |            | A=2,65 IN 0730 106 904(2)        |     |                       | 5  | 0,000  |    |
| ---  | 0730.106.909    | SHIM     | 1   |                  | 00.00.0000   |            | A=2,60 IN 0730 106 904(2)        |     |                       | 5  | 0,000  |    |
| ---  | 0730.106.908    | SHIM     | 1   |                  | 00.00.0000   |            | A=2,55 IN 0730 106 904(2)        |     |                       | 5  | 0,000  |    |
| ---  | 0730.100.799    | SHIM     | 1   |                  | 00.00.0000   |            | A=2,50 IN 0730 106 904(2)        |     |                       | 5  | 0,000  |    |
| ---  | 0730.100.800    | SHIM     | 1   |                  | 00.00.0000   |            | A=2,45 IN 0730 106 904(2)        |     |                       | 5  | 0,000  |    |
| ---  | 0730.100.801    | SHIM     | 1   |                  | 00.00.0000   |            | A=2,40 IN 0730 106 904(2)        |     |                       | 5  | 0,000  |    |
| ---  | 0730.100.802    | SHIM     | 1   |                  | 00.00.0000   |            | A=2,35 IN 0730 106 904(2)        |     |                       | 5  | 0,000  |    |
| ---  | 0730.100.803    | SHIM     | 1   |                  | 00.00.0000   |            | A=2,30 IN 0730 106 904(2)        |     |                       | 5  | 0,000  |    |
| ---  | 0730.101.466    | SHIM     | 1   |                  | 00.00.0000   |            | A=2,25 IN 0730 106 904(2)        |     |                       | 5  | 0,000  |    |
| ---  | 0730.101.467    | SHIM     | 1   |                  | 00.00.0000   |            | A=2,20 IN 0730 106 904(2)        |     |                       | 5  | 0,000  |    |
| ---  | 0730.101.468    | SHIM     | 1   |                  | 00.00.0000   |            | A=2,15 IN 0730 106 904(2)        |     |                       | 5  | 0,000  |    |
| ---  | 0730.101.469    | SHIM     | 1   |                  | 00.00.0000   |            | A=2,10 IN 0730 106 904(2)        |     |                       | 5  | 0,000  |    |
| ---  | 0730.101.470    | SHIM     | 1   |                  | 00.00.0000   |            | A=2,05 IN 0730 106 904(2)        |     |                       | 5  | 0,000  |    |
| ---  | 0730.101.471    | SHIM     | 1   |                  | 00.00.0000   |            | A=2,00 IN 0730 106 904(2)        |     |                       | 5  | 0,000  |    |

VKF Incidence factor

OTK Optional technical kit

ID Identification (output code)

SP Supplier plant





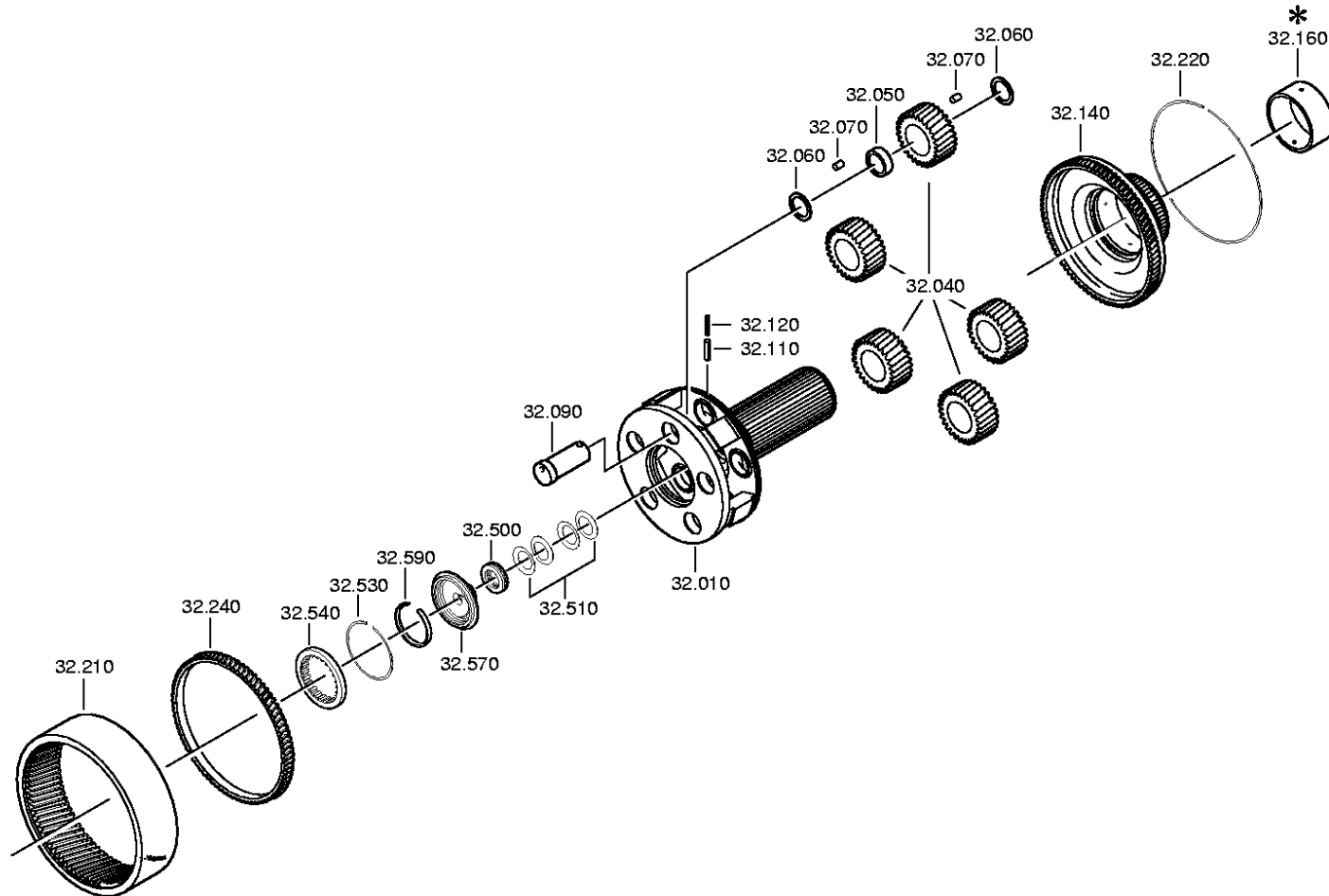
| Pos. | Material number | Name             | VKF | Amend. no.       | Amend. start | Prod. no.  | Material feature / tech. info. | OTK | External material no. | ID | Weight | SP |
|------|-----------------|------------------|-----|------------------|--------------|------------|--------------------------------|-----|-----------------------|----|--------|----|
| 10   | 0501.322.265    | GASKET           | 1   | C0100791<br>1E10 | 00.00.0000   | 00.00.0000 | METALOSEAL                     |     |                       | 5  | 0,000  |    |
| 20   | 1341.307.014    | GEAR SHIFT COVER | 1   | C0100078<br>9E10 | 00.00.0000   | 00.00.0000 |                                |     |                       | 5  | 0,000  |    |
| 30   | ---             | HEXAGON BOLT     | 3   |                  | 00.00.0000   |            | M8X25 ISO4017/8.8 A3C          |     |                       | 3  | 0,000  |    |
| ---  | 0636.015.257    | HEXAGON BOLT     | 3   |                  | 00.00.0000   |            | M8X25                          |     |                       | 5  | 0,010  |    |
| ---  | 0630.001.075    | WASHER           | 3   |                  | 00.00.0000   |            |                                |     |                       | 5  | 0,002  |    |
| 100  | 1315.307.375    | SELECTOR LEVER   | 1   |                  | 00.00.0000   |            |                                |     |                       | 5  | 0,000  |    |
| 160  | 0635.303.007    | NEEDLE SLEEVE    | 1   |                  | 00.00.0000   |            | 22X28X10                       |     |                       | 5  | 0,000  |    |
| 200  | 1315.307.346    | SELECTOR SHAFT   | 1   |                  | 00.00.0000   |            |                                |     |                       | 5  | 0,000  |    |
| 240  | 0630.531.240    | V-RING           | 1   |                  | 00.00.0000   |            |                                |     |                       | 5  | 0,000  |    |
| 260  | ---             | SHAFT SEAL       | 1   |                  | 00.00.0000   |            | 20X30X7                        |     |                       | 3  | 0,000  |    |
| ---  | 0734.309.392    | SHAFT SEAL       | 1   |                  | 00.00.0000   |            | 20X30X7 FA.CFW                 |     |                       | 5  | 0,000  |    |
| 300  | 0501.324.645    | PROTECTING CAP   | 1   | Z0000209<br>8310 | 18.01.2010   | 18.01.2010 |                                |     | 7421432955            | 5  | 0,000  |    |
| 320  | 1341.307.033    | SELECTOR LEVER   | 1   |                  | 00.00.0000   |            | U460                           |     |                       | 5  | 0,000  |    |
| 340  | ---             | BOLT+NUT         | 1   |                  | 00.00.0000   |            | DIN931ALT M10X50               |     |                       | 3  | 0,000  |    |
| ---  | 0636.011.756    | HEXAGON BOLT     | 1   |                  | 00.00.0000   |            | M10X50                         |     |                       | 5  | 0,000  |    |
| ---  | 0637.006.120    | HEXAGON NUT      | 1   |                  | 00.00.0000   |            | M10                            |     |                       | 5  | 0,010  |    |

VKF Incidence factor

OTK Optional technical kit

ID Identification (output code)

SP Supplier plant



CLICK HERE TO **DOWNLOAD** THE COMPLETE MANUAL

- Thank you very much for reading the preview of the manual.
- You can download the complete manual from: [www.heydownloads.com](http://www.heydownloads.com) by clicking the link below



- Please note: If there is no response to CLICKING the link, please download this PDF first and then click on it.

CLICK HERE TO **DOWNLOAD** THE COMPLETE MANUAL