



Spare Parts Catalog

16 S 2220 TO

Material number: 1342.002.004

CLICK HERE TO **DOWNLOAD** THE COMPLETE MANUAL

- Thank you very much for reading the preview of the manual.
- You can download the complete manual from: www.heydownloads.com by clicking the link below



- Please note: If there is no response to CLICKING the link, please download this PDF first and then click on it.

CLICK HERE TO **DOWNLOAD** THE COMPLETE MANUAL



Pos.	Material number	Name	VKF	Amend. no.	Amend. start	Prod. no.	Material feature / tech. info.	OTK	External material no.	ID	Weight	SP
10	1316.201.149	CLUTCH HOUSING	1		00.00.0000		KPL.			3	0,000	
/110	1316.301.069	CLUTCH HOUSING	1		00.00.0000		ENTHALT.IN 1316 301 060(0)			5	0,000	
/120	1315.201.097	PIPE	1		00.00.0000		KPL.			3	0,067	
20	1315.301.233	GASKET	1		00.00.0000					5	0,047	
30	1316.201.110	HOUSING	1	2290A	01.07.1998	01.07.1998	KPL.DG IN 1316 201 108(0)			3	40	
50	---	SCREW PLUG	1	1323B	01.06.2000	01.06.2000	M24X1,5 * 60N.M* DICHTRING			3	0,000	
---	0736.305.070	SCREW PLUG	1		00.00.0000		ENTHALT.IN 0736 305 041(2)			5	0,080	
---	0730.008.637	SEALING RING	1		00.00.0000		A24X29			5	0,003	
90	---	SCREW PLUG	1	1322B	01.07.2000	01.07.2000	M22X1,5 * 50N.M* DICHTRING			3	0,000	
---	0636.302.045	SCREW PLUG	1		00.00.0000		M22X1,5			5	0,048	
---	0730.009.515	SEALING RING	1		00.00.0000		A22X27			5	0,002	
100	---	SCREW PLUG	1	1322B	01.07.2000	01.07.2000	M22X1,5 * 50N.M* DICHTRING			3	0,000	
---	0636.302.045	SCREW PLUG	1		00.00.0000		M22X1,5			5	0,048	
---	0730.009.515	SEALING RING	1		00.00.0000		A22X27			5	0,002	
140	0731.201.563	CYLINDRICAL PIN	4		00.00.0000					5	0,130	
160	---	HEXAGON BOLT	14		00.00.0000		M10X70			3	0,000	
---	0736.010.180	HEXAGON BOLT	14		00.00.0000		M10X70 IN 0736 010 183(2)			5	0,051	
170	---	HEXAGON BOLT	1		00.00.0000		M10X70			3	0,000	
---	0736.010.180	HEXAGON BOLT	1		00.00.0000		M10X70 IN 0736 010 183(2)			5	0,051	
180	---	HEXAGON BOLT	6		00.00.0000		M10X140			3	0,000	
---	0736.010.182	HEXAGON BOLT	6		00.00.0000		M10X140 IN 0736 010 183(2)			5	0,085	
190	---	HEXAGON BOLT	1		00.00.0000		M10X140			3	0,000	
---	0736.010.182	HEXAGON BOLT	1		00.00.0000		M10X140 IN 0736 010 183(2)			5	0,085	
200	---	SCREW PLUG	1	1323B	01.06.2000	01.06.2000	M24X1,5 * 60N.M* DICHTRING			3	0,000	
---	0636.304.049	SCREW PLUG	1		00.00.0000		M24X1,5			5	0,000	
---	0730.008.637	SEALING RING	1		00.00.0000		A24X29			5	0,003	
230	---	SCREW PLUG	1	1323B	01.06.2000	01.06.2000	M24X1,5 * 60N.M* DICHTRING			3	0,000	
---	0636.304.049	SCREW PLUG	1		00.00.0000		M24X1,5			5	0,000	
---	0730.008.637	SEALING RING	1		00.00.0000		A24X29			5	0,003	

VKF Incidence factor

OTK Optional technical kit

ID Identification (output code)

SP Supplier plant



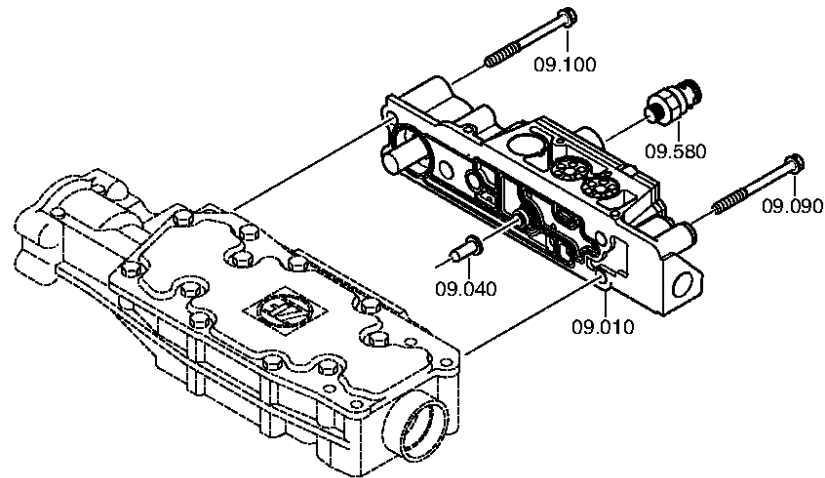
Pos.	Material number	Name	VKF	Amend. no.	Amend. start	Prod. no.	Material feature / tech. info.	OTK	External material no.	ID	Weight	SP
320	---	HEXAGON BOLT	1		00.00.0000		M10X60Z1DIN933ALT/10.9 A3C			3	0,000	
---	0636.015.593	HEXAGON BOLT	1		00.00.0000		M10X60			5	0,000	
330	---	HEXAGON BOLT	2		00.00.0000		M10X35Z1DIN933ALT/10.9 A3C			3	0,000	
---	0636.015.592	HEXAGON BOLT	2		00.00.0000		M10X35			5	0,000	

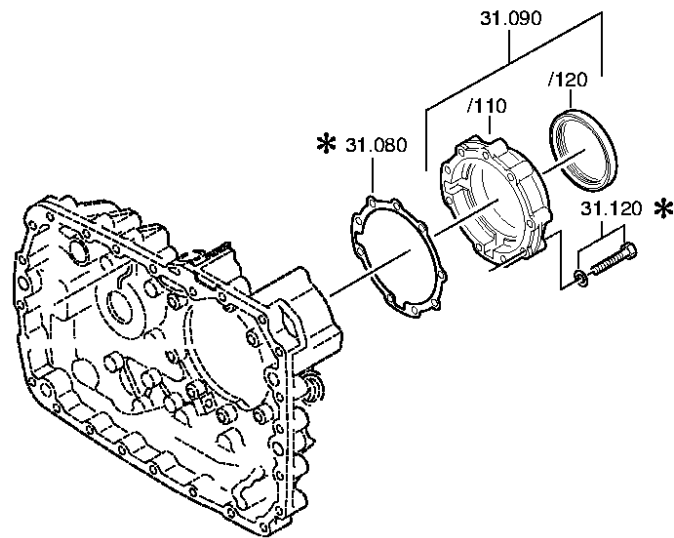
VKF Incidence factor

OTK Optional technical kit

ID Identification (output code)

SP Supplier plant





CLICK HERE TO **DOWNLOAD** THE COMPLETE MANUAL

- Thank you very much for reading the preview of the manual.
- You can download the complete manual from: www.heydownloads.com by clicking the link below



- Please note: If there is no response to CLICKING the link, please download this PDF first and then click on it.

CLICK HERE TO **DOWNLOAD** THE COMPLETE MANUAL