



PARTS CATALOG

Published

2008/7 (Jul.)

OCT10-G21801

CLICK HERE TO **DOWNLOAD** THE COMPLETE MANUAL

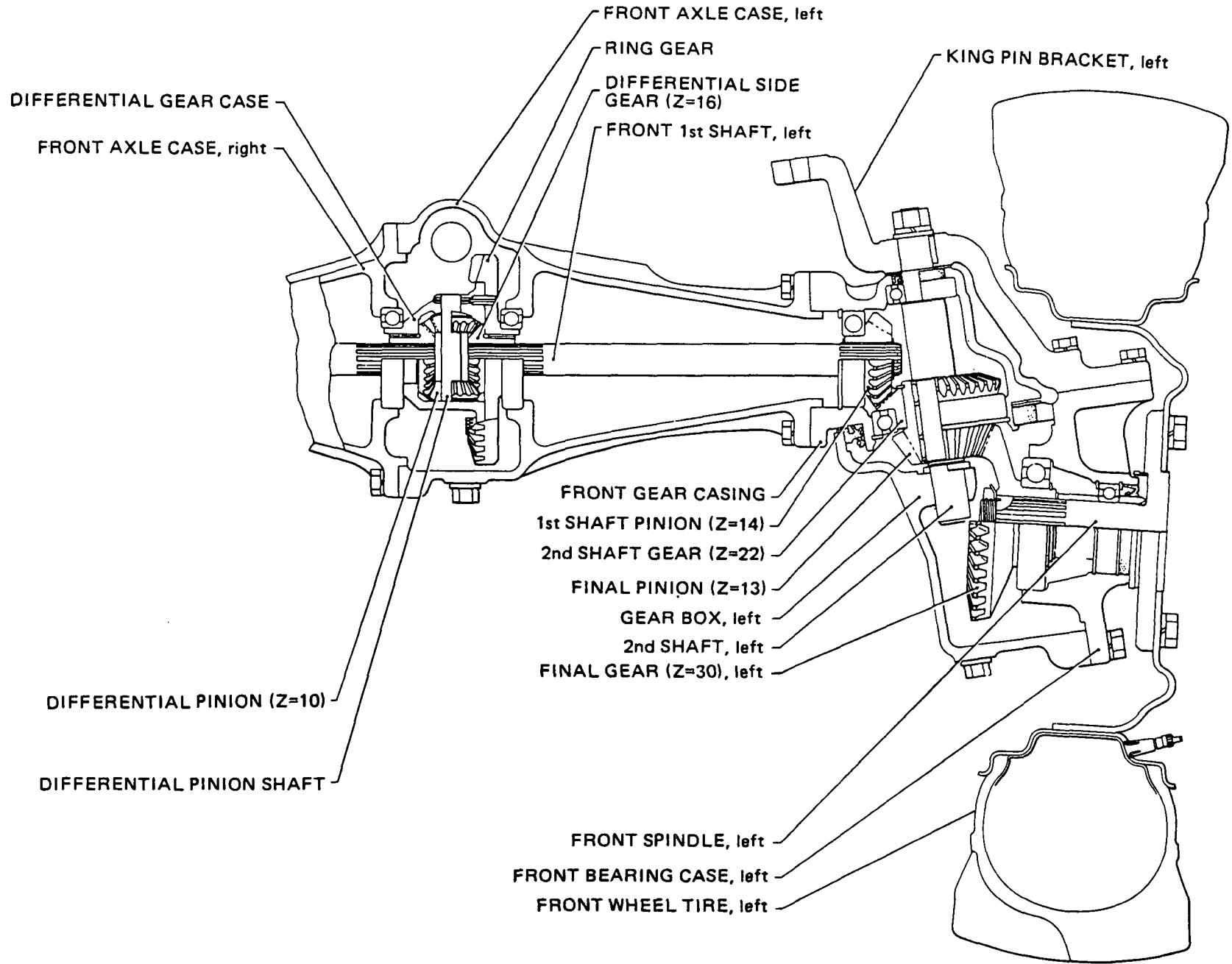
- Thank you very much for reading the preview of the manual.
- You can download the complete manual from: www.heydownloads.com by clicking the link below



- Please note: If there is no response to CLICKING the link, please download this PDF first and then click on it.

CLICK HERE TO **DOWNLOAD** THE COMPLETE MANUAL

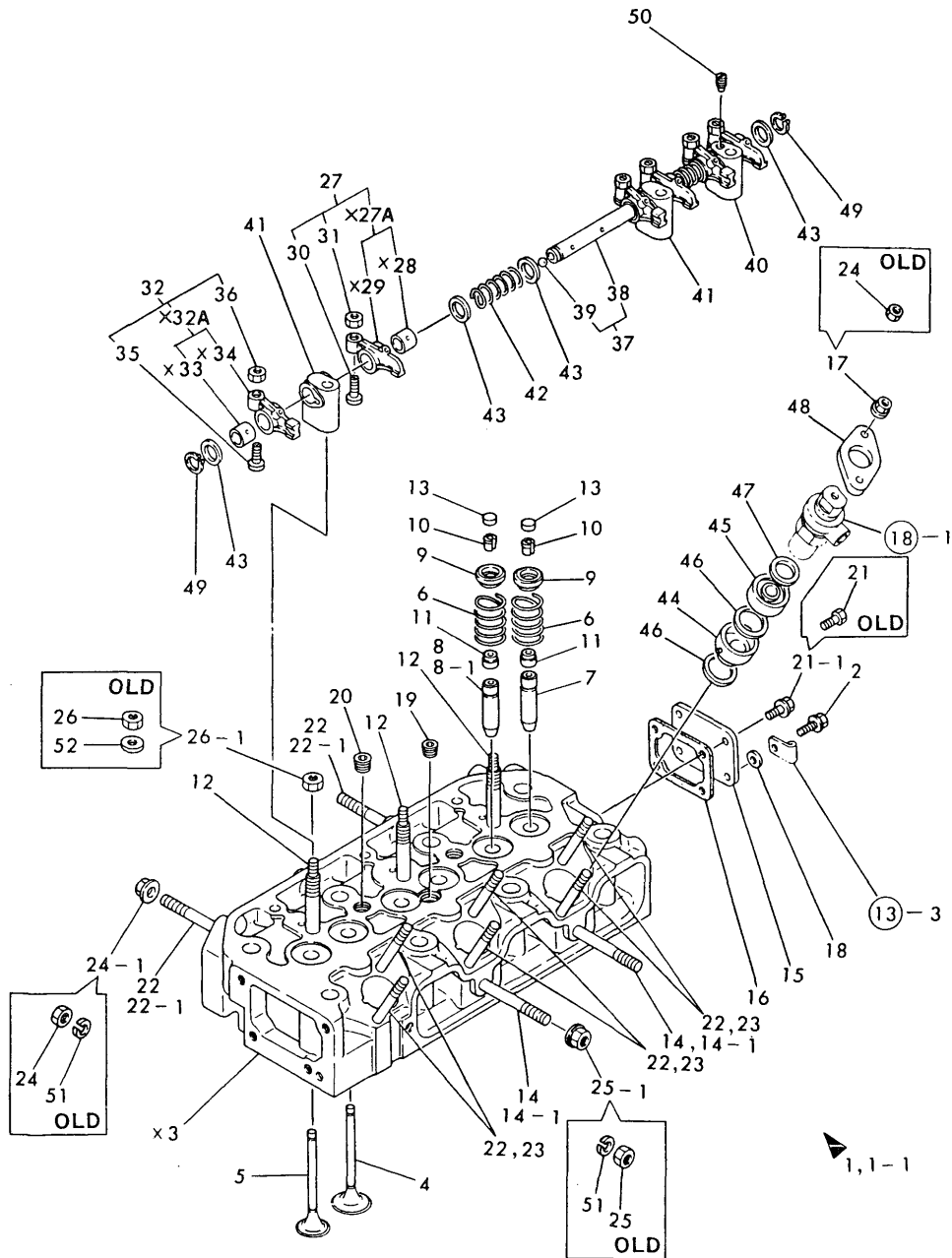
TRAVELLING FRONT DRIVING SECTIONAL VIEW



TRAVELLING FRONT DRIVING SECTIONAL VIEW

Fig.5. CYLINDER HEAD

Fig. 5 CYLINDER HEAD



(A)=3T75HA
(B)=3T75HA-M
(C)=

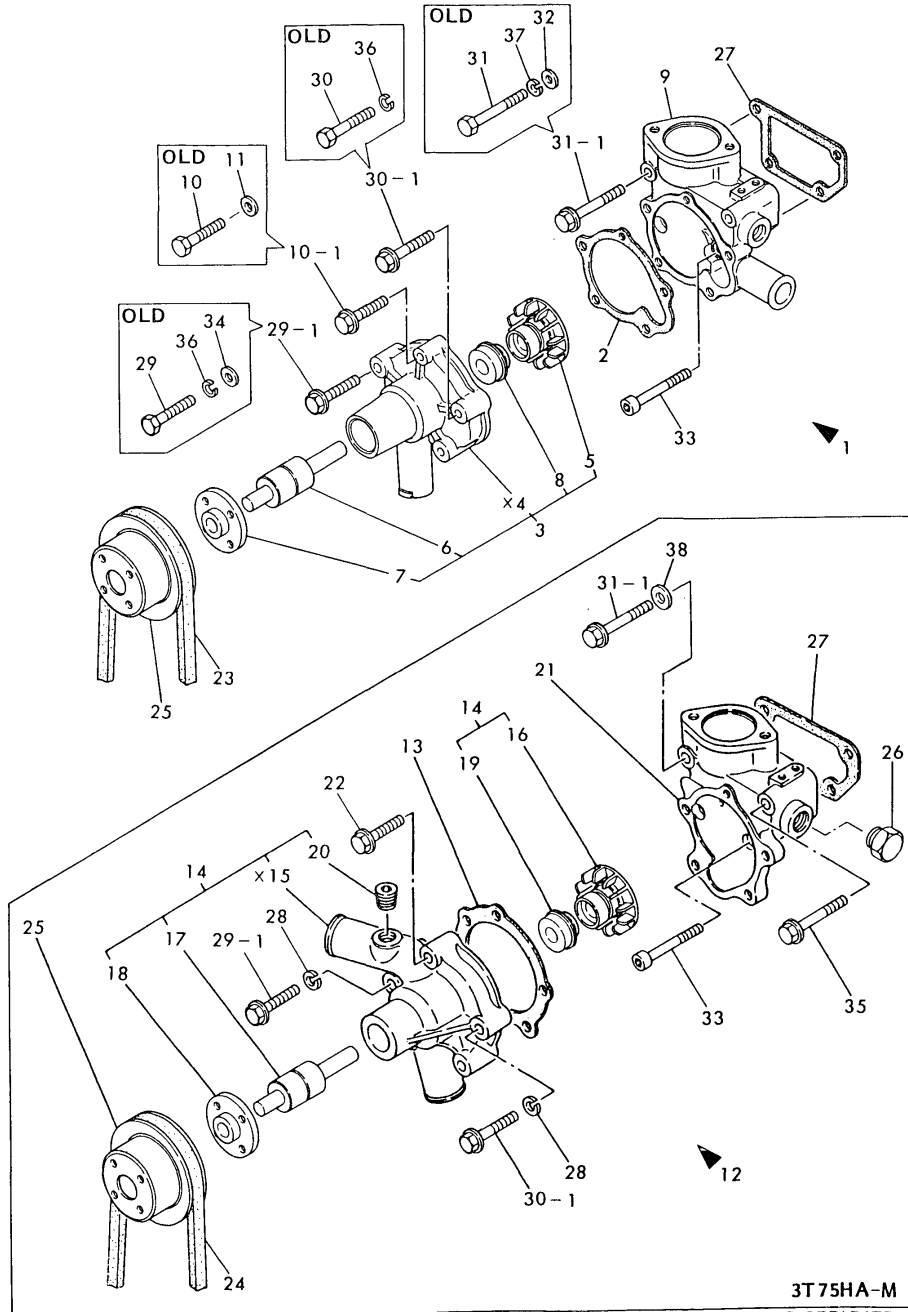
(D)=
(E)=
(F)=

REF.	LEV.	PARTS NO.	DESCRIPTION	QTY						I	R
				(A)	(B)	(C)	(D)	(E)	(F)		
1	1	721522-11700	HEAD ASSY, CYLINDER	1							
1-1	1	721522-11701	HEAD ASSY, CYLINDER	1	1						S
(A=E/# 96679)											
2	2	121250-01710	BOLT M8X14	1							
2-1	2	26106-080142	BOLT M 8X 14 PLATED	1	1						N
(A=E/# 86878)											
4	2	104211-11100	VALVE, SUCTION	3	3						
5	2	104211-11110	VALVE, EXHAUST	3	3						
6	2	124060-11120	SPRING, VALVE	6	6						
7	2	124060-11160	GUIDE, VALVE	3	3						
8	2	124060-11170	GUIDE, VALVE	3							
8-1	2	128272-11170	GUIDE, VALVE	3	3						S
(A=E/# 96679)											
9	2	104200-11180	RETAINER, SPRING	6	6						
10	2	101158-11190	COTTER	6	6						
11	2	124950-11340	SEAL, VALVE STEM	6	6						
12	2	105225-11350	STUD, SUPPORT	3	3						
13	2	104211-11370	CAP, VALVE	6	6						
14	2	26216-080602	STUD M 8X 60 PLATED	2							
14-1	2	121450-11550	STUD, MANIFOLD	2	2						N
(A=FROM 1ST)											
15	2	121450-11670	COVER	1	1						
16	2	121450-11680	GASKET, COVER	1	1						
17	2	121465-11950	NUT	6	6						W
(A=E/# 86878)											
18	2	22117-080000	WASHER 8	1	1						
19	2	23873-020000	PLUG PT 1/4	1							
19-1	2	23871-020000	PLUG PT1/4,SCREW	1	1						N
(A=FROM 1ST)											
20	2	23873-030000	PLUG PT 3/8	2							
20-1	2	23871-030000	PLUG PT3/8,SCREW	2	2						N
(A=FROM 1ST)											
21	2	26116-080122	BOLT M 8X 12 PLATED	3							
21-1	2	26106-080122	BOLT M 8X 12 PLATED	3	3						N
(A=*1982.)											
22	2	26216-080652	STUD M 8X 65 PLATED	8							
22-1	2	26216-080652	STUD M 8X 65 PLATED	2	2						K
(A=FROM 1ST)											
23	2	26216-080702	STUD M 8X 70 PLATED	6	6						W
(A=FROM 1ST)											
24	2	26716-080002	NUT M 8	8							
24-1	2	26366-080002	NUT M 8	2	2						N
(A=*1982.)											
25	2	26716-080002	NUT M 8	2							
25-1	2	26366-080002	NUT M 8	2	2						N
(A=*1982.)											
26	2	26776-100002	LOCK NUT M10 PLATED	3							
26-1	2	26696-100002	NUT M10	3	3						N
(A=*1982.)											
27	1	721450-11650	ARM ASSY, ROCKER	3	3						
30	2	101158-11230	SCREW, VALVE	3	3						

N:Old \xrightarrow{Yes} New, Q:Old \xrightarrow{No} New, R:Old \xrightarrow{Yes} New, S:Old \xrightarrow{No} New, W:Add, Z:Discontinued, F:Interchangeable by set, K:Q'ty Change
 ++ CONTINUE ++
 (C)Copy Rights YANMAR CO.,LTD.

Fig.14. COOLING WATER PUMP

Fig. 14 COOLING WATER PUMP



X-MARK PARTS : NOT SOLD SEPARATELY

(A)=3T75HA
(B)=3T75HA-M
(C)=

(D)=
(E)=
(F)=

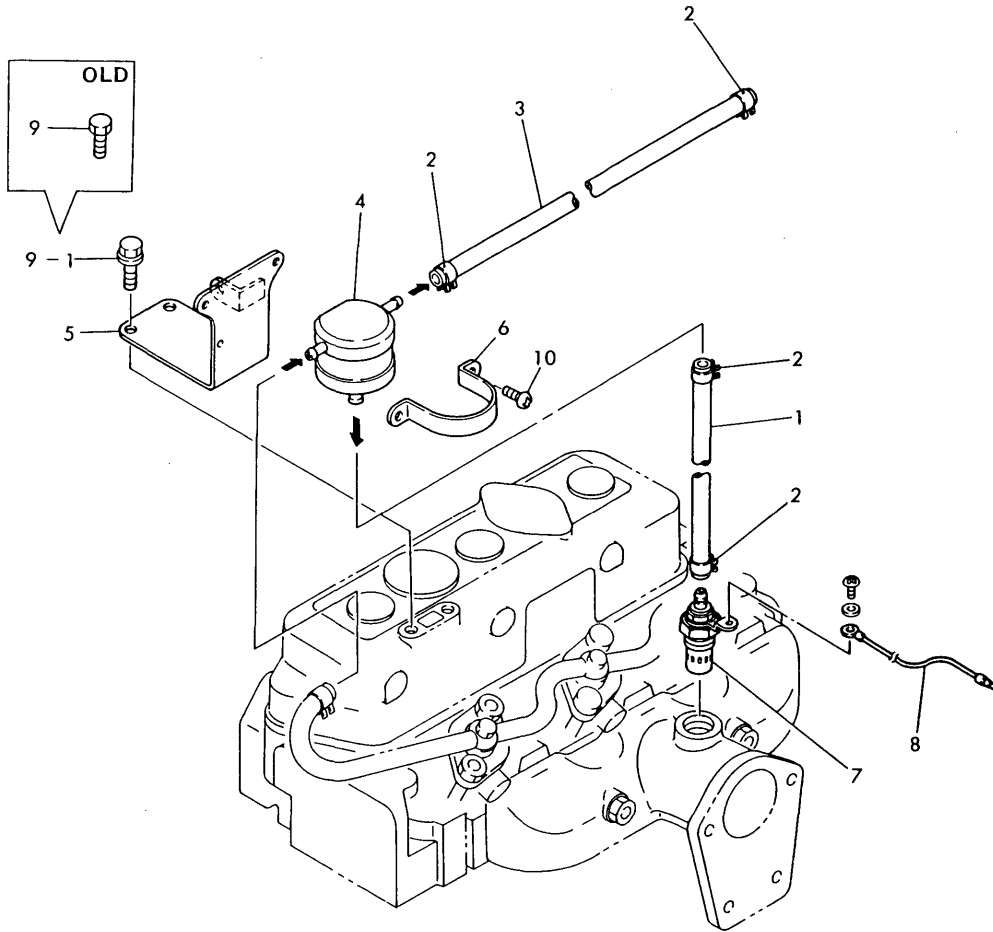
REF.	LEV.	PARTS NO.	DESCRIPTION	QTY						I	R
				(A)	(B)	(C)	(D)	(E)	(F)		
1	1	121554-42010	PUMP ASSY, C. WATER	1							
2	2	121450-42050	GASKET	1							
3	2	121023-42100	PUMP ASSY, C. WATER	1							
5	3	129350-42200	IMPELLER	1							
6	3	121450-42240	SHAFT, IMPELLER	1							
7	3	121450-42260	FLANGE, V-PULLEY	1							
8	3	121450-42310	SEAL, MECHANICAL	1							
9	2	121554-42120	BRACKET, C.W. PUMP	1							
10	2	26116-060352	BOLT M 6X 35 PLATED	1							
10-1	2	26106-060322	BOLT M 6X 32 PLATED	1							N
		(A=*1982.)									
11	2	22117-060000	WASHER 6	1							Z
		(A=*1982.)									
12	1	121554-42020	PUMP ASSY, C. WATER		1						
13	2	121000-42051	GASKET, C.W.PUMP		1						
14	2	121000-42100	PUMP ASSY, C. WATER		1						
16	3	129350-42200	IMPELLER		1						
17	3	121450-42240	SHAFT, IMPELLER		1						
18	3	121450-42260	FLANGE, V-PULLEY		1						
19	3	121450-42310	SEAL, MECHANICAL		1						
20	3	23871-030000	PLUG PT3/8,SCREW		1						
21	2	121554-42140	BRACKET, C.W.PUMP		1						
22	2	26106-060322	BOLT M 6X 32 PLATED		1						
23	1	121023-42290	V-BELT (A-33)		1						
24	1	129350-42290	V-BELT (A-33.5)		1						
25	1	121450-42350	V-PULLEY, C.W. PUMP		1	1					
26	1	121450-42450	PLUG M16		1						
27	1	121450-44410	GASKET, BRACKET		1	1					
28	1	22217-080000	SPRING WASHER 8			4					
29	1	26116-080402	BOLT M 8X 40 PLATED		3						
29-1	1	26106-080382	BOLT M 8X 38 PLATED		3	3					N
		(A=E/# 86878)									
30	1	26116-080452	BOLT M 8X 45 PLATED		1						
30-1	1	26106-080402	BOLT M 8X 40 PLATED		1	1					N
		(A=E/# 86878)									
31	1	26116-080602	BOLT M 8X 60 PLATED		2						
31-1	1	26106-080552	BOLT M 8X 55 PLATED		2	1					N
		(A=*1982.)									
32	1	22117-080000	WASHER 8		2						Z
		(A=*1982.)									
33	1	26450-080452	BOLT M 8X 45		2	2					
34	1	22117-080000	WASHER 8		3						Z
		(A=E/# 86878)									
35	1	26106-080602	BOLT M 8X 60 PLATED			1					
36	1	22217-080000	SPRING WASHER 8		4						Z
		(A=E/# 86878)									
37	1	22217-080000	SPRING WASHER 8		2						Z
		(A=*1982.)									
38	1	43400-500410	SEAL WASHER 8			1					W
		(B=E/# A1397)									

Fig.23. THERMOSTART DEVICE

(A)=3T75HA
(B)=3T75HA-M
(C)=

(D)=
(E)=
(F)=

Fig. 23 THERMOSTART DEVICE
(For Model 3T75HA)



REF.	LEV.	PARTS NO.	DESCRIPTION	QTY						I	R
				(A)	(B)	(C)	(D)	(E)	(F)		
1	1	121750-59560	PIPE, FUEL RETURN	1							
2	1	124060-77680	CLAMP 10	4							
3	1	121450-77690	PIPE, FUEL OIL	1							
4	1	121750-77800	TANK, HEADER	1							
5	1	121550-77810	BRACKET	1							
6	1	124460-77820	BRACKET(B), TANK	1							
7	1	121023-77910	PLUG, THERMOSTAT	1							
8	1	121120-77920	WIRE, THERMOSTAT	1							
9	1	26116-080122	BOLT M 8X 12 PLATED	2							
9-1	1	26106-080122	BOLT M 8X 12 PLATED	2							N
		(A=*1982.)									
10	1	26557-060082	SCREW M 6X 8	2							

CLICK HERE TO **DOWNLOAD** THE COMPLETE MANUAL

- Thank you very much for reading the preview of the manual.
- You can download the complete manual from: www.heydownloads.com by clicking the link below



- Please note: If there is no response to CLICKING the link, please download this PDF first and then click on it.

CLICK HERE TO **DOWNLOAD** THE COMPLETE MANUAL

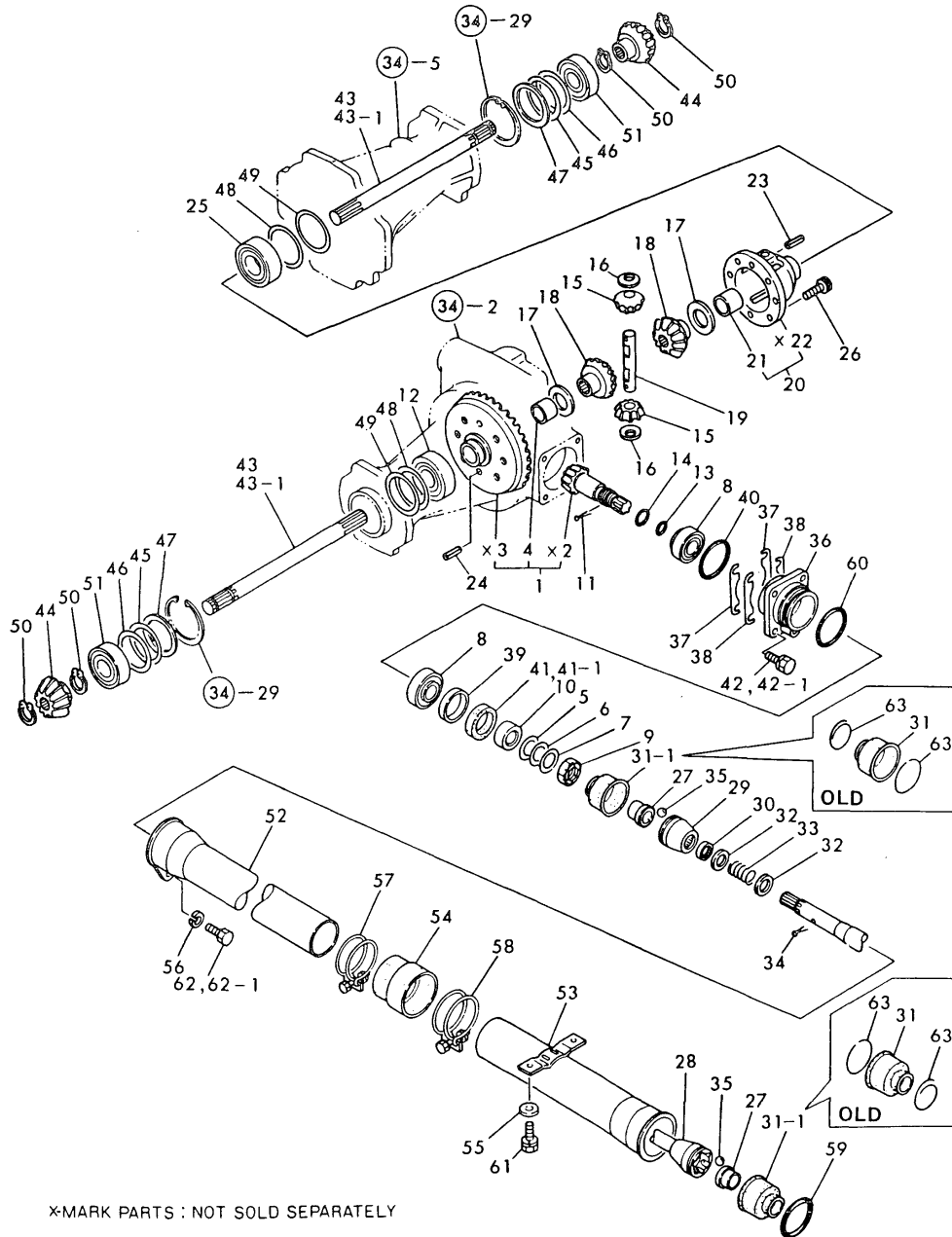
Fig.32. RING GEAR & PROPELLER SHAFT

(A)=YM220
(B)=YM220D
(C)=YM250

(D)=YM250D
(E)=
(F)=

Fig. 32 PROPELLER SHAFT & RING GEAR OF FRONT AXLE

(For Model YM220D, YM250D)



X-MARK PARTS : NOT SOLD SEPARATELY

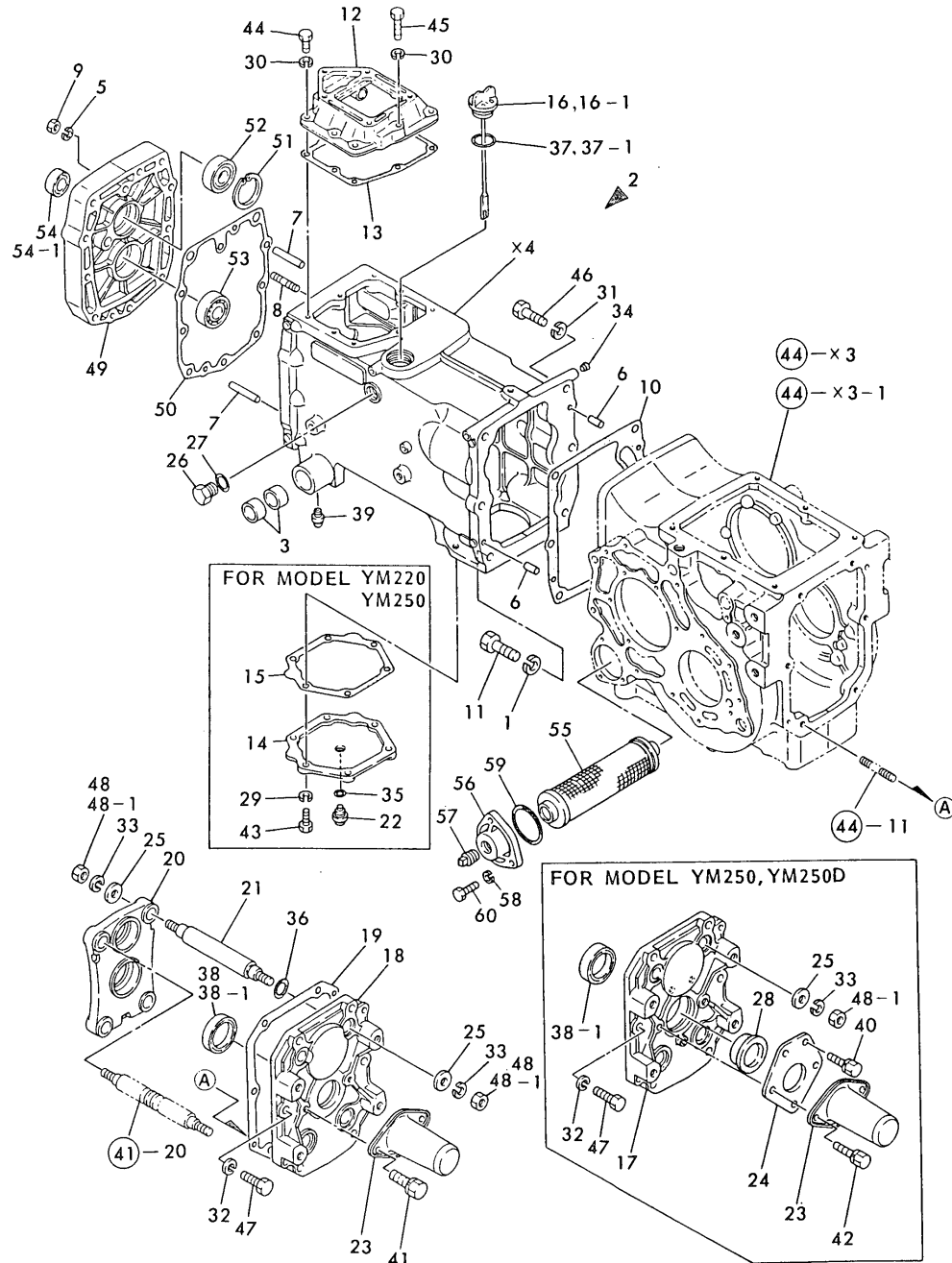
REF.	LEV.	PARTS NO.	DESCRIPTION	QTY						I	R
				(A)	(B)	(C)	(D)	(E)	(F)		
1	1	194311-13101	GEAR ASSY, RING	1	1						
4	2	194190-31490	BUSH 32X36X20	1	1						
5	1	194311-13130	SHIM (A)	1	1						
6	1	194311-13140	SHIM (B)	1	1						
7	1	194311-13150	SHIM (C)	1	1						
8	1	194191-13530	ROLLER BEARING	2	2						
9	1	194191-13540	CASTLE NUT M28X1.5	1	1						
10	1	194191-13671	COLLAR 28X40X12	1	1						
11	1	22417-250400	COTTER PIN 2.5X40	1	1						
12	1	24101-060094	BALL BEARING	1	1						
13	1	24311-000210	O-RING 1A P-21.0	1	1						
14	1	24341-000250	O-RING 1A S-25.0	1	1						
15	1	194740-10850	PINION, DIFFERENTIAL	2	2						
16	1	194740-10870	SHIM	2	2						
17	1	194740-10880	SPACER	2	2						
18	1	194190-31510	GEAR, DIFFERENTIAL	2	2						
19	1	194420-31820	SHAFT, DIFFERENTIAL	1	1						
20	1	194190-32100	HOUSING ASSY, DIFF.	1	1						
21	2	194190-31490	BUSH 32X36X20	1	1						
23	1	22351-040025	PIN 4X25, SPRING	1	1						
24	1	22351-080018	SPRING PIN 8X18	2	2						
25	1	24101-060094	BALL BEARING	1	1						
26	1	26450-080182	BOLT M 8X 18	6	6						
27	1	194191-13270	SLEEVE	2	2						
28	1	194362-13300-X	SHAFT ASSY, PROPELLER	1	1						
29	1	194191-13331	COUPLING B	1	1						
30	1	194191-13340	SEAL, SPLINE SHAFT	1	1						
31	1	194191-13370	BOOT (RUBBER)	2							
31-1	1	194640-13340	BOOT, RUBBER	2	2						N
(B=T/# 40696)											
32	1	194191-13350	SPACER 20X30X1.6	2	2						
33	1	194311-13360	SPRING, TENSION	1	1						
34	1	22417-400400	COTTER PIN 4.0X40	1	1						
35	1	24190-100001	BALL 5/16, STEEL	12	12						
36	1	194311-13450	CAP, FRONT AXLE CASE	1	1						
37	1	194311-13460	SHIM(A) T=0.3	4	4						
38	1	194311-13470	SHIM(B) T=0.2	4	4						
39	1	194191-13662	COLLAR 52.4X55X6	1	1						
40	1	24341-000630	O-RING 1A S-63.0	1	1						
41	1	194191-13681	SEAL TC40 55 8, OIL	1							
41-1	1	24421-405508	SEAL TC40 55 08, OIL	1	1						N
(B=T/# 40640)											
42	1	26013-080222	BOLT M 8X 22	4							
42-1	1	26013-080252	BOLT M 8X 25	4	4						N
(B=*1982.12)											
43	1	194311-13510	SHAFT, FRONT DRIVE	2							
43-1	1	194311-13511	SHAFT, FRONT AXLE	2	2						N
(B=T/# 40541)											
44	1	194311-13520	PINION, DRIVE SHAFT	2	2						
45	1	194311-13530	SHIM(A) L=0.2	4	4						
46	1	194311-13540	SHIM(B) L=0.3	4	4						

Fig.37. TRANSMISSION HOUSING

(A)=YM220
(B)=YM220D
(C)=YM250

(D)=YM250D
(E)=
(F)=

Fig. 37 TRANSMISSION HOUSING



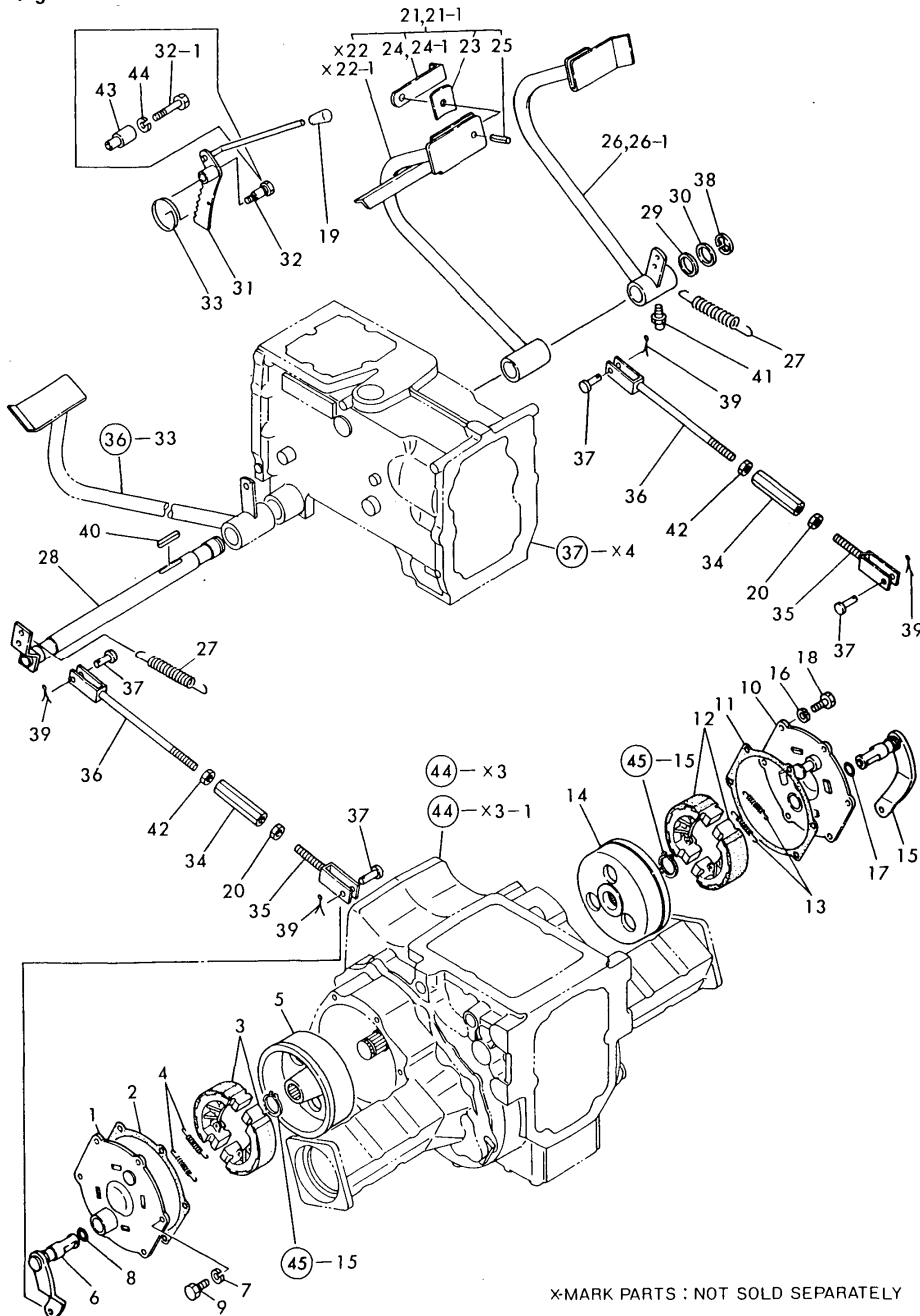
REF.	LEV.	PARTS NO.	DESCRIPTION	Q'TY						I	R
				(A)	(B)	(C)	(D)	(E)	(F)		
41	1	26013-080122	BOLT M 8X 12	2	2						
42	1	26014-060162	BOLT M 6X 16						2		
43	1	26116-080202	BOLT M 8X 20 PLATED	6		6					
44	1	26116-080202	BOLT M 8X 20 PLATED	6	6	6	6				
45	1	26116-080352	BOLT M 8X 35	1	1	1	1				
46	1	26116-120352	BOLT M12X 35 PLATED	4	4	4	4				
47	1	26116-120352	BOLT M12X 35 PLATED	2	2	2	2				
48	1	26716-160002	NUT M16	6	6						
48-1	1	26736-160002	NUT M16	6	6	6	6				N
		(A=*)	(B=*)								
49	1	194361-24160-X	PLATE, CENTER	1	1	1	1				
50	1	194422-24181	GASKET, CENTER PLATE	1	1	1	1				
51	1	22252-000470	CIRCLIP 47	1	1	1	1				
52	1	24101-062044	BALL BEARING	1	1	1	1				
53	1	24101-062054	BEARING #6205	1	1	1	1				
54	1	194150-27810	SEAL SC20 35 8, OIL	1	1						
54-1	1	24411-203508	SEAL SC20 35 8, OIL	1	1	1	1				N
		(A=T/# 21022)	(B=T/# 40640)								
55	1	194430-24930	STRAINER, OIL	1	1	1	1				
56	1	194197-24970-X	CAP, STRAINER	1	1	1	1				
57	1	194322-24980	PLUG 1/2-NPT	1	1	1	1				
58	1	22217-060000	SPRING WASHER 6	3	3	3	3				
59	1	24341-000550	O-RING 1A S-55.0	1	1	1	1				
60	1	26116-060202	BOLT M6X20	3	3	3	3				

Fig.46. BRAKES

(A)=YM220
(B)=YM220D
(C)=YM250

(D)=YM250D
(E)=
(F)=

Fig. 46 BRAKES



X-MARK PARTS : NOT SOLD SEPARATELY

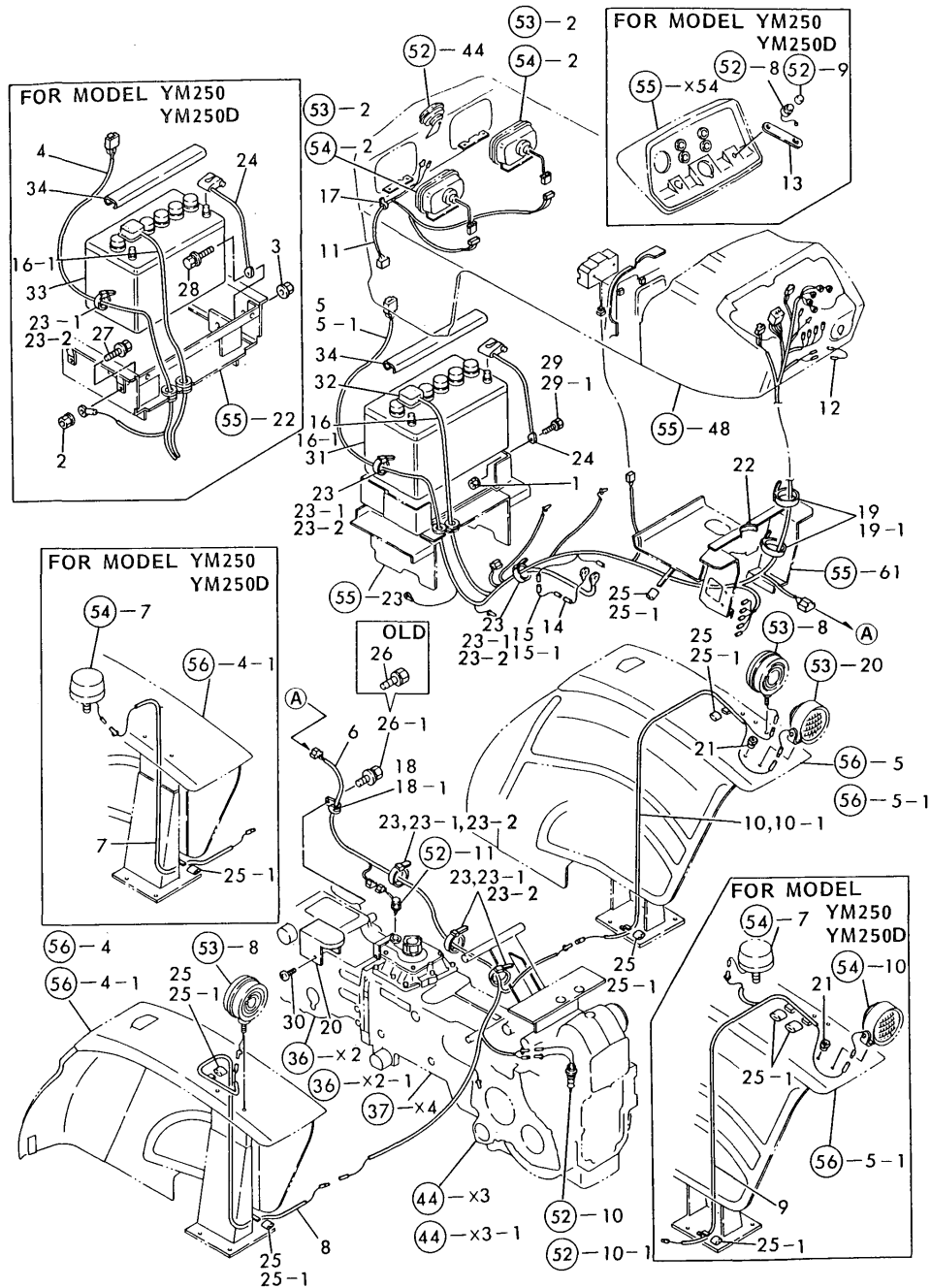
REF.	LEV.	PARTS NO.	DESCRIPTION	QTY						I	R
				(A)	(B)	(C)	(D)	(E)	(F)		
1	1	194420-36300	COVER, BRAKE	1	1	1	1				
2	1	194420-36320	GASKET, BRAKE COVER	1	1	1	1				
3	1	194420-36510	SHOE, BRAKE	2	2	2	2				
4	1	194150-36550	SPRING, RETURN	2	2	2	2				
5	1	194420-36570	DRUM, BRAKE	1	1	1	1				
6	1	194312-36710	SHAFT, BRAKE CAM	1	1	1	1				
7	1	22217-080000	SPRING WASHER 8	6	6	6	6				
8	1	24341-000200	O-RING 1A S-20.0	1	1	1	1				
9	1	26116-080252	BOLT M 8X 25 PLATED	6	6	6	6				
10	1	194420-36300	COVER, BRAKE	1	1	1	1				
11	1	194420-36320	GASKET, BRAKE COVER	1	1	1	1				
12	1	194420-36510	SHOE, BRAKE	2	2	2	2				
13	1	194150-36550	SPRING, RETURN	2	2	2	2				
14	1	194420-36570	DRUM, BRAKE	1	1	1	1				
15	1	194312-36720	SHAFT, BRAKE CAM	1	1	1	1				
16	1	22217-080000	SPRING WASHER 8	6	6	6	6				
17	1	24341-000200	O-RING 1A S-20.0	1	1	1	1				
18	1	26116-080252	BOLT M 8X 25 PLATED	6	6	6	6				
19	1	194150-01190	KNOB, THROTTLE LEVER	1	1	1	1				
20	1	194150-22480	NUT M10	2	2	2	2				
21	1	194361-37421-X	PEDAL, BRAKE	1	1						
21-1	1	194432-37421-X	PEDAL ASSY, BRAKE(L)	1	1	1	1				S
		(A=FROM 1ST) (B=FROM 1ST)									
23	2	194150-37530	SPACER	1	1	1	1				
24	2	194145-37540	CONNECTOR	1	1						
24-1	2	194432-37540-R	CONNECTOR	1	1	1	1				S
		(A=FROM 1ST) (B=FROM 1ST)									
25	2	22351-080018	SPRING PIN 8X18	1	1	1	1				
26	1	194361-37471-X	PEDAL, BRAKE	1	1						
26-1	1	194432-37471-X	PEDAL ASSY, BRAKE(R)	1	1	1	1				S
		(A=FROM 1ST) (B=FROM 1ST)									
27	1	194420-37510	SPRING, RETURN	2	2	2	2				
28	1	194361-37550-X	SHAFT, BRAKE PEDAL	1	1	1	1				
29	1	194130-37560	WASHER	1	1	1	1				
30	1	194150-37570	WASHER	1	1	1	1				
31	1	194170-37660-X	LEVER, BRAKE LOCK	1	1	1	1				
32	1	194420-37670	PIN, ROCK LEVER	1	1	1	1				Z
		(A=T/# 21413) (B=T/# 40898) (C=T/# 20055) (D=T/# 40021)									
32-1	1	26116-100802	BOLT M10X 80 PLATED	1	1	1	1				W
		(A=T/# 21413) (B=T/# 40898) (C=T/# 20055) (D=T/# 40021)									
33	1	194110-37691	SPRING, RETURN	1	1	1	1				
34	1	194151-37730	TURNBUCKLE M10X90	2	2	2	2				
35	1	194130-37740	ROD, BRAKE	2	2	2	2				
36	1	194420-37770	ROD, BRAKE	2	2	2	2				
37	1	194080-37781	PIN 8X25	4	4	4	4				
38	1	22272-000190	CIRCLIP E-19	1	1	1	1				
39	1	22417-200300	COTTER PIN 2.0X30	4	4	4	4				
40	1	22512-070400	KEY 7X 40	1	1	1	1				
41	1	24761-010000	NIPPLE M6F, GREASE	1	1	1	1				
42	1	26716-100002	NUT M10	2	2	2	2				
43	1	194432-37670	COLLAR	1	1	1	1				W

Fig.51. WIRE HARNESS

(A)=YM220
(B)=YM220D
(C)=YM250

(D)=YM250D
(E)=
(F)=

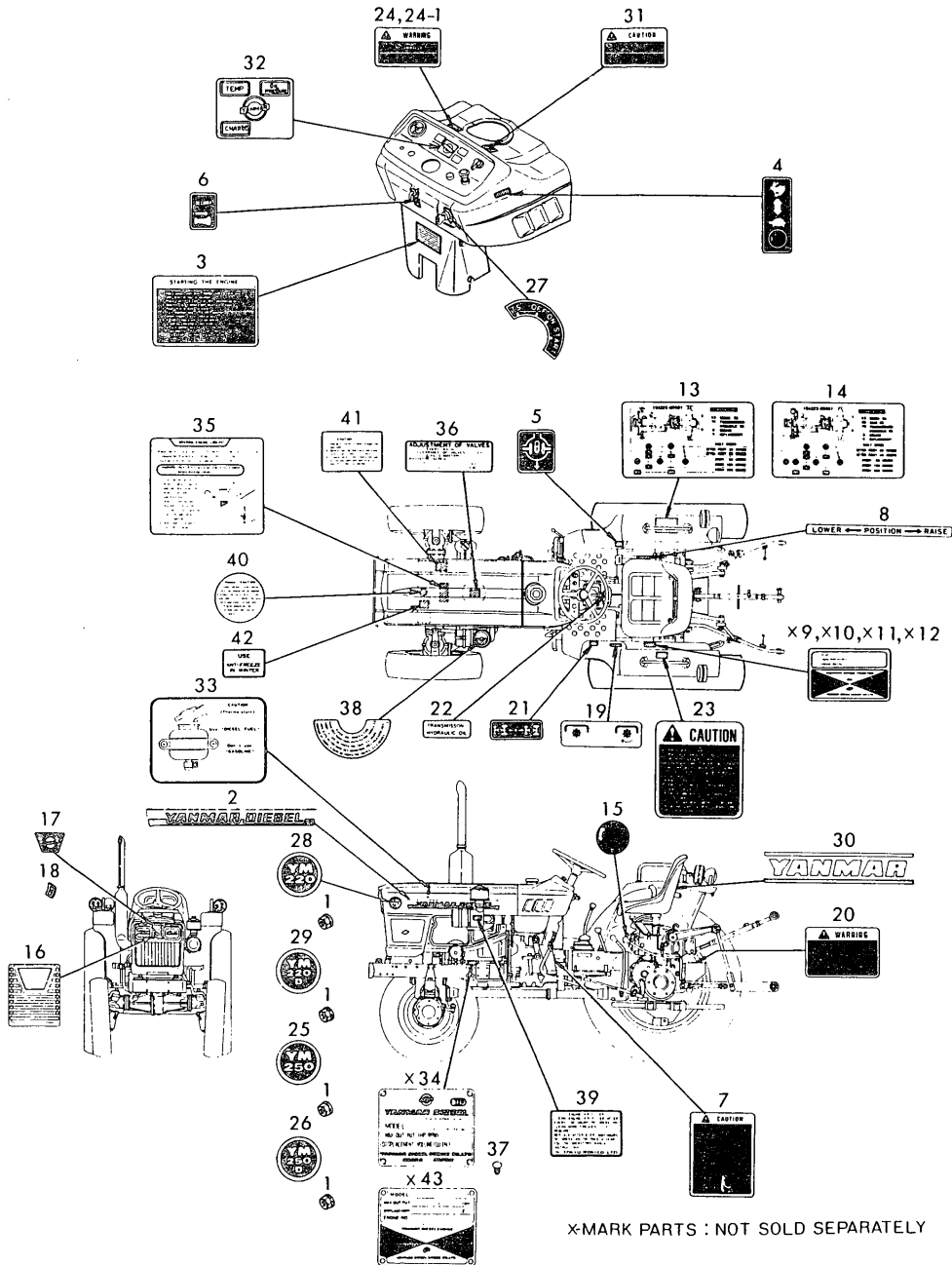
Fig. 51 WIRE HARNESS



REF.	LEV.	PARTS NO.	DESCRIPTION	QTY						I	R
				(A)	(B)	(C)	(D)	(E)	(F)		
		(A=T/# 20581) (B=T/# 40393)									
30	1	26587-060162	SCREW M 6X 16		2	2	2	2			
31	1	194432-51310	BATTERY (DRN50Z), DRY	1	1						Z
32	1	194080-51430	INSULATOR	1	1						
		(A=T/# 21015) (B=T/# 40590)									
33	1	194247-51500	BATTERY N50				1	1			
34	1	194432-51550	COVER, BATTERY	1	1	1	1				

Fig.57. LABELS

Fig. 57 LABEL



x-MARK PARTS : NOT SOLD SEPARATELY

(A)=YM220
(B)=YM220D
(C)=YM250

(D)=YM250D
(E)=
(F)=

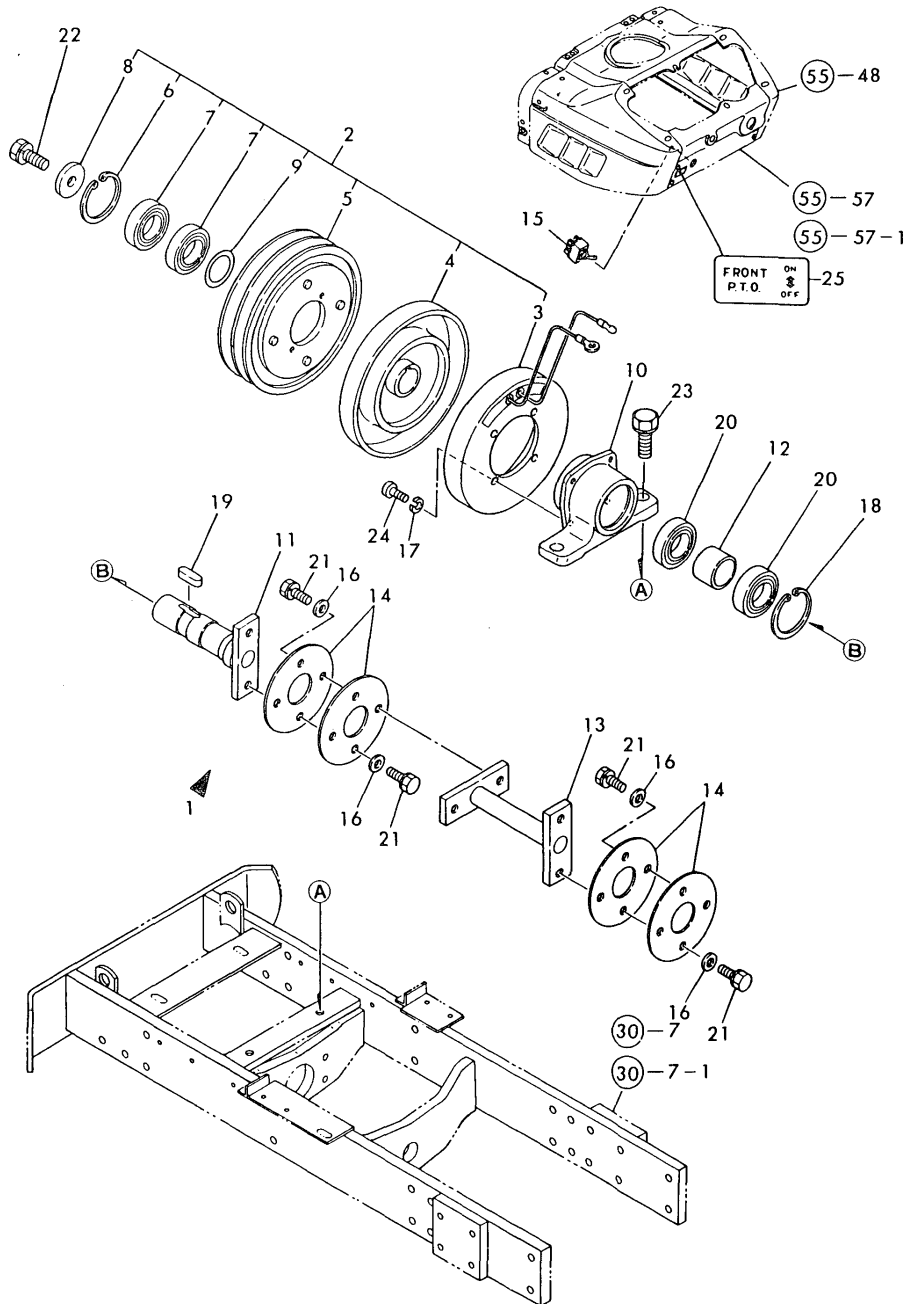
REF.	LEV.	PARTS NO.	DESCRIPTION	QTY						I	R
				(A)	(B)	(C)	(D)	(E)	(F)		
1	1	194990-22120	NUT W/WASHER 5	4	4	4	4				
2	1	194446-64752	LABEL, SIDE	2	2	2	2				
3	1	194446-65352	LABEL, ENG. STARTING	1	1	1	1				
4	1	194240-65432	LABEL, THROTTLE LEVER	1	1	1	1				
5	1	194240-65441	LABEL, DIFF. LOCK	1	1	1	1				
6	1	194370-65451	LABEL, DECOMPRESSION	1	1	1	1				
7	1	194446-65461	LABEL, CLUTCH CAUTION	1	1	1	1				
8	1	194170-65510	LABEL, HYDRAULIC LIFT	1	1	1	1				
13	1	194322-65561	LABEL, LUBRICATION	1		1					
14	1	194323-65561	LABEL, LUBRICATION		1		1				
15	1	194170-65570	LABEL, SLOW RETURN	1	1	1	1				
16	1	194420-65590	EMBLEM, FLAME	1	1	1	1				
17	1	194448-65600	EMBLEM, FRONT	1	1	1	1				
18	1	194200-65610	NUT 5	4	4	4	4				
19	1	194275-65610	LABEL, P.T.O. CLUTCH	1	1	1	1				
20	1	194170-65620	LABEL, WARNING	1	1	1	1				
21	1	194447-65621	LABEL, 4-DRIVE WHEEL		1		1				
22	1	194446-65630	LABEL, GEAR OIL	1	1	1	1				
23	1	194275-65660	LABEL, CAUTION	1	1	1	1				
24	1	194240-65670	LABEL, FUEL INDICAT.	1	1						
24-1	1	194240-65671	LABEL, FUEL INDICAT.	1	1	1	1				N
(A=T/# 20795) (B=T/# 40499)											
25	1	194247-65720	LABEL, SIDE MARK			2					
26	1	194248-65720	LABEL, SIDE MARK				2				
27	1	194310-65720	LABEL, KEY SWITCH	1	1	1	1				
28	1	194363-65720	LABEL, SIDE MARK	2							
29	1	194364-65720	LABEL, SIDE MARK		2						
30	1	194170-65891	LABEL, SEAT	1	1	1	1				
31	1	194446-65681	LABEL, DO NOT TOW	1	1						Z
(A=*) (B=*)											
32	1	194446-65300	LABEL, PILOT LAMP			1	1				
33	1	124764-77980	LABEL, FUEL CAUTION	1	1	1	1				
35	1	121254-07150	LABEL, WATER DRAIN	1	1	1	1				
36	1	124064-07160	LABEL, VALVE ADJUST.	1	1	1	1				
37	1	102210-07990	RIVET	4	4	4	4				
38	1	121454-12480	LABEL, PRE-CLEANER	1	1	1	1				
39	1	121454-12520	LABEL, AIR-CLEANER	1	1	1	1				
40	1	124764-44800	LABEL, RADIATOR	1	1	1	1				
41	1	124764-44810	LABEL, RESERVE TANK	1	1	1	1				
42	1	124764-44920	LABEL, ANTI-FREEZING	1	1	1	1				

Fig.66. FRONT POWER TAKE OFF

(A)=YM220
(B)=YM220D
(C)=YM250

(D)=YM250D
(E)=
(F)=

Fig. 66 FRONT POWER TAKE OFF (Optional Parts)



REF.	LEV.	PARTS NO.	DESCRIPTION	QTY						I	R
				(A)	(B)	(C)	(D)	(E)	(F)		
1	1	794446-83100-X	P.T.O. KIT, FRONT	1	1	1	1				
2	2	194446-83110-X	CLUTCH ASSY, MAGNET.	1	1	1	1				
3	3	194446-83120	COIL, FIELD	1	1	1	1				
4	3	194446-83130	ROTOR	1	1	1	1				
5	3	194446-83140	ARMATURE	1	1	1	1				
6	3	194446-83150	CIRCLIP	1	1	1	1				
7	3	194446-83160	BALL BEARING	2	2	2	2				
8	3	194446-83170	WASHER	1	1	1	1				
9	3	194446-83180	SHIM	3	3	3	3				
10	2	194446-83210-X	CASE, BEARING	1	1	1	1				
11	2	194446-83220-X	SHAFT, P.T.O	1	1	1	1				
12	2	194446-83240	SPACER	1	1	1	1				
13	2	194446-83250-X	SHAFT	1	1	1	1				
14	2	194446-83260	DISC, FRONT P.T.O.	4	4	4	4				
15	2	194446-83310	SWITCH, FRONT P.T.O.	1	1	1	1				
16	2	22117-100000	WASHER 10	8	8	8	8				
17	2	22217-060000	SPRING WASHER 6	4	4	4	4				
18	2	22262-000550	CIRCLIP R-55	1	1	1	1				
19	2	22512-070280	KEY 7X 28	1	1	1	1				
20	2	24104-060064	BALL BEARING	2	2	2	2				
21	2	26013-100202	BOLT W/WASHER M10X20	8	8	8	8				
22	2	26013-120302	BOLT W/WASHER M12X30	1	1	1	1				
23	2	26013-140302	BOLT M14X 30	2	2	2	2				
24	2	26557-060162	SCREW M 6X 16	4	4	4	4				
25	2	194446-65731	LABEL, FRONT P.T.O	1	1	1	1				

CLICK HERE TO **DOWNLOAD** THE COMPLETE MANUAL

- Thank you very much for reading the preview of the manual.
- You can download the complete manual from: www.heydownloads.com by clicking the link below



- Please note: If there is no response to CLICKING the link, please download this PDF first and then click on it.

CLICK HERE TO **DOWNLOAD** THE COMPLETE MANUAL