

# P R E F A C E

1. This Parts Catalog carries Yanmar crawler back-hoe Vio30-2.

2. Parts catalog history

	Parts catalog NO.	Published	Remarks
1st edition	000Y00K3670	2000/9	Disuse old edition
1st revised	000Y00K3671	2001/11	Disuse old edition
2nd revised	000Y00K3672	2003/8	

3. Model name

SECTION	Column	Model name	M/#	Manufactured	Notes
I (Vehicle)	(A)	Vio30-2 C(R) (JP)	20501~	2000/5~	FOR JAPAN
	(B)	Vio30-2 P(R) (JP)			
	(C)	Vio30-2 C(R) (EX)	22139~	2001/7~	
	(D)	Vio30-2 P(R) (EX)			
II (Engine)	(A)	3TNE82A-EBVB	56889~78463	2000/4~2003/3	BREATHE IN SPEC. (RADIATOR SIDE)
	(B)	3TNE82A-EBVC	64110~	2000/12~	BREATHE OUT SPEC. (RADIATOR SIDE)

(Note1) C:Cabin spec. P:Canopy spec. R:Rubber crawler spec. JP:Japan AS:Australia  
 EX:export except Europe, U. S. A. & australia

∴ (Note2) Vio30-2 Radiator exhaust direction changed from following machine number (Vehicle no.)  
 (Draw in spec.) M/#20501~22000  
 (Emit spec.) M/#22001~ & Following machine (Remodeled for emit spec. when sent from factory.)

M/#20633	M/#20719	M/#20728	M/#20742	M/#20841
M/#20846	M/#20940	M/#20969	M/#20996	M/#21075
M/#21076	M/#21077	M/#21079		

4. Your understanding is asking that this parts catalog is not a technical data manual setting forth as servicing procedures. This parts catalog is using simplified illustration. Be sure to use Yanmar Genuine Parts in your maintenance servicing of Yanmar products. Be careful not to use the simple parts available in the market, otherwise their use in repairing causes such as an early breakage, for instance.

∴印が今回変更(追記)した個所です。  
 ∴.MARKED PART HAS BEEN CHANGED (ADDED).

CLICK HERE TO **DOWNLOAD** THE COMPLETE MANUAL

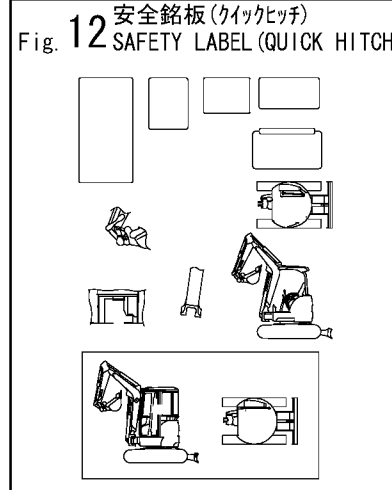
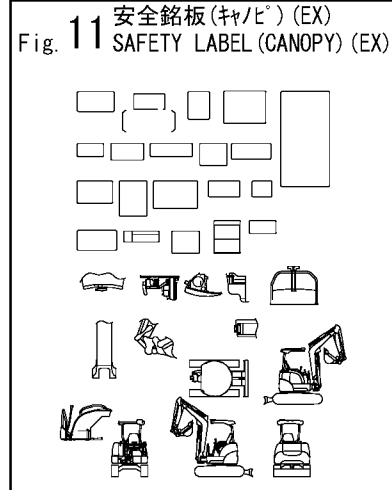
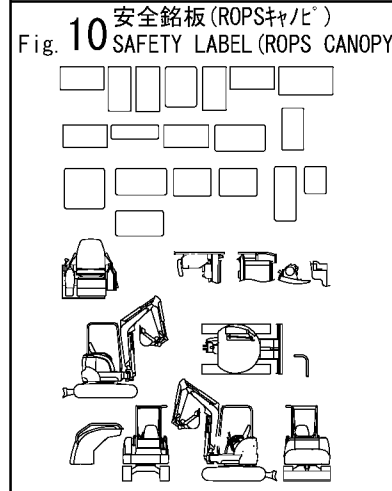
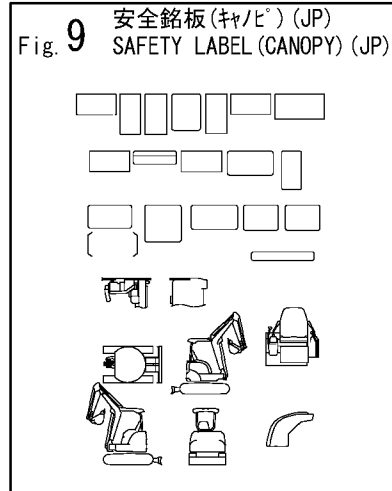
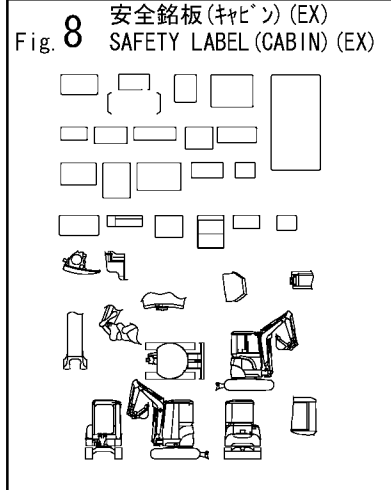
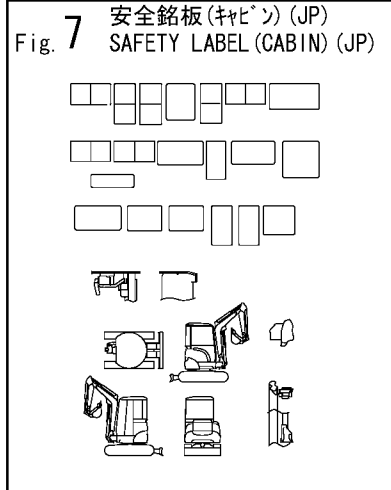
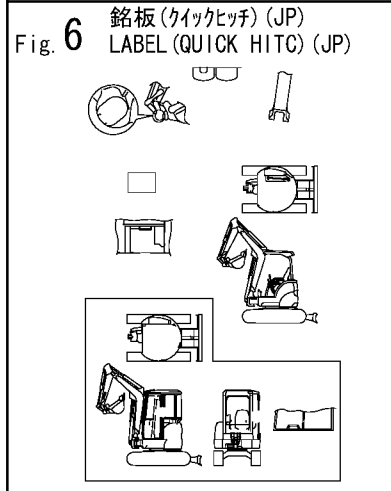
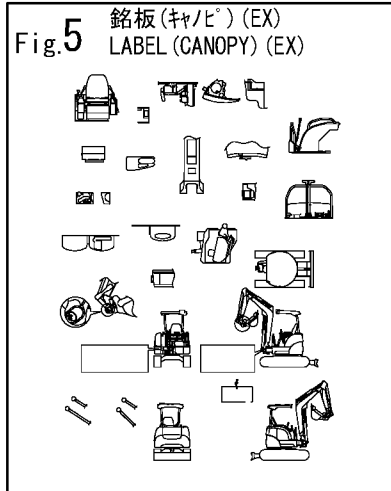
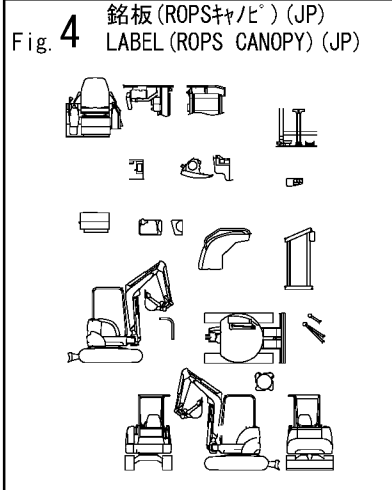
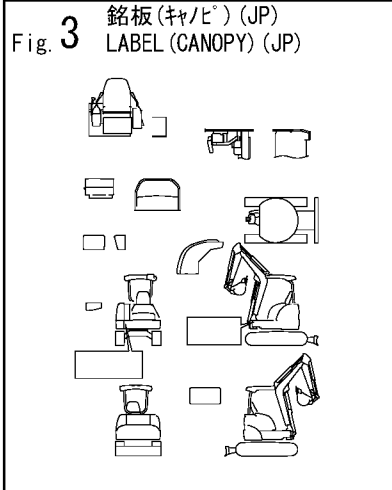
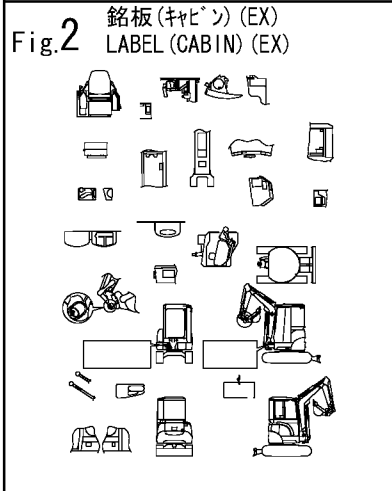
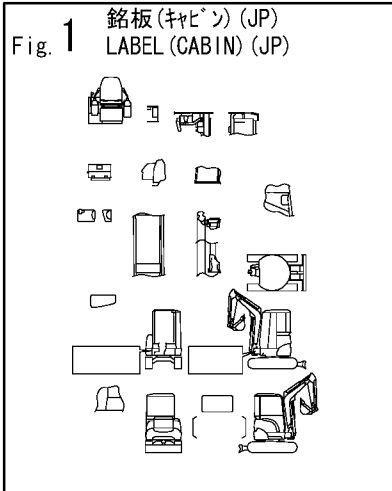
- Thank you very much for reading the preview of the manual.
- You can download the complete manual from: [www.heydownloads.com](http://www.heydownloads.com) by clicking the link below



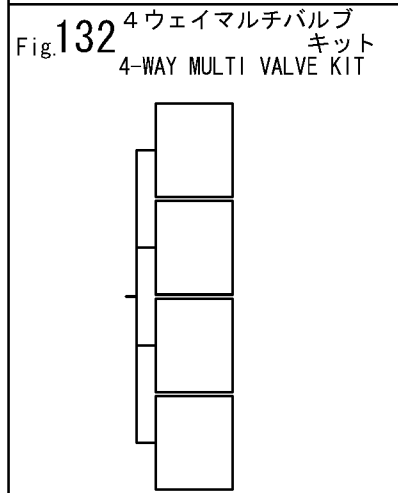
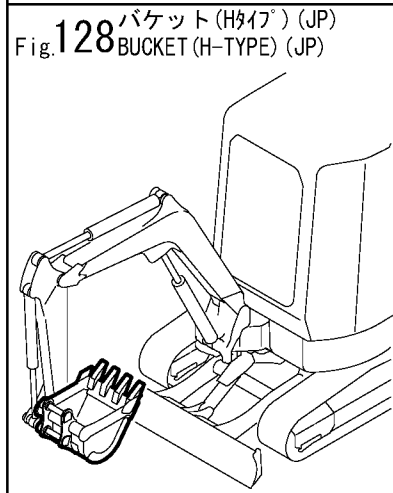
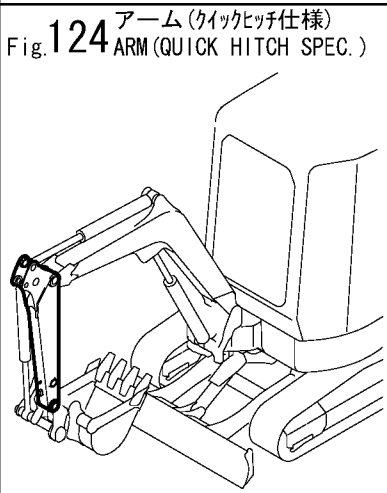
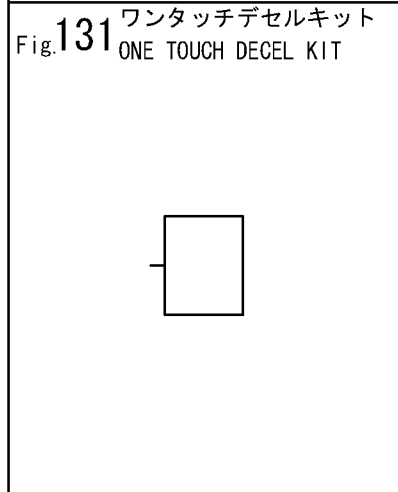
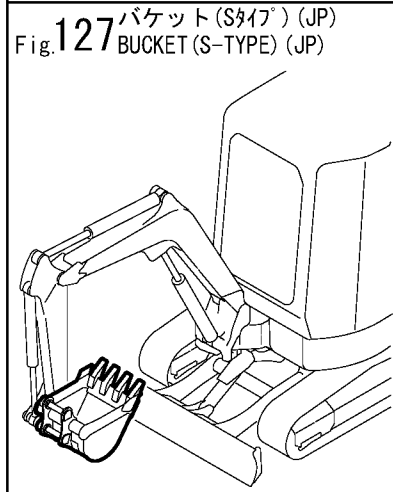
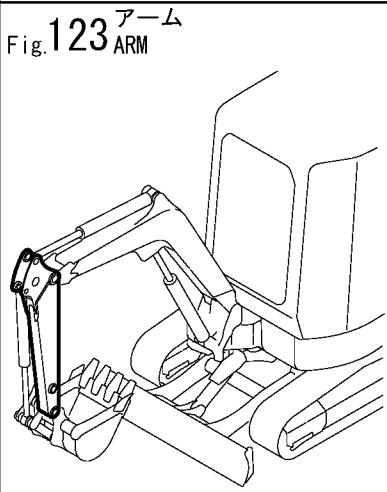
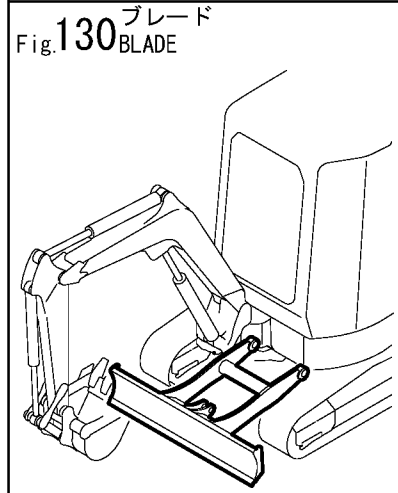
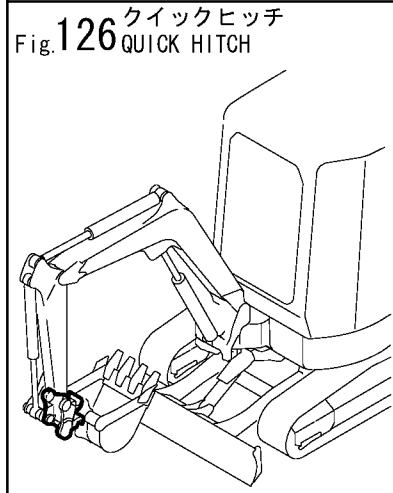
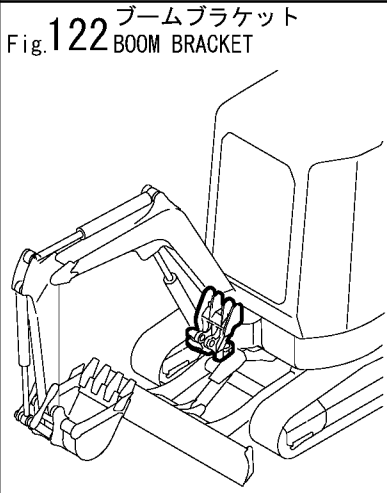
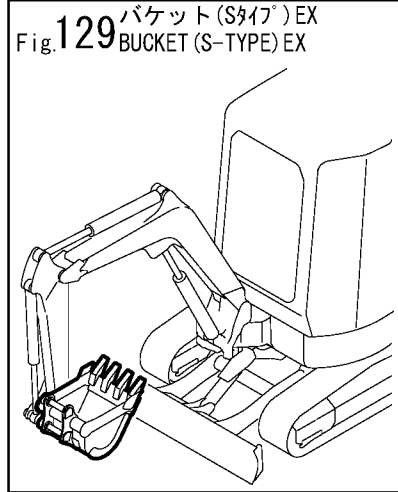
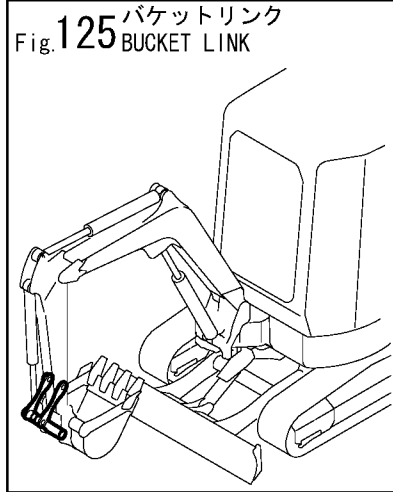
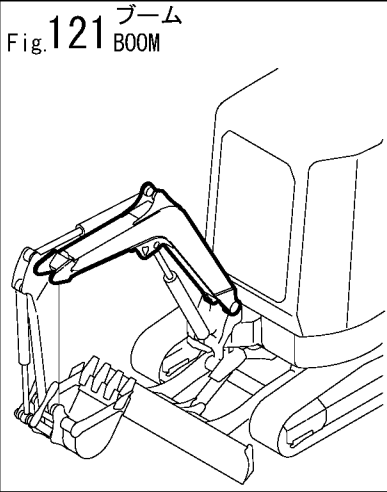
- Please note: If there is no response to CLICKING the link, please download this PDF first and then click on it.

CLICK HERE TO **DOWNLOAD** THE COMPLETE MANUAL

絵目次 (3) . . . . . 項目別  
PICTURESQUE INDEX (3) . . . FIGURE



絵目次 (3) . . . . . 項目別  
PICTURESQUE INDEX (3) . . . FIGURE

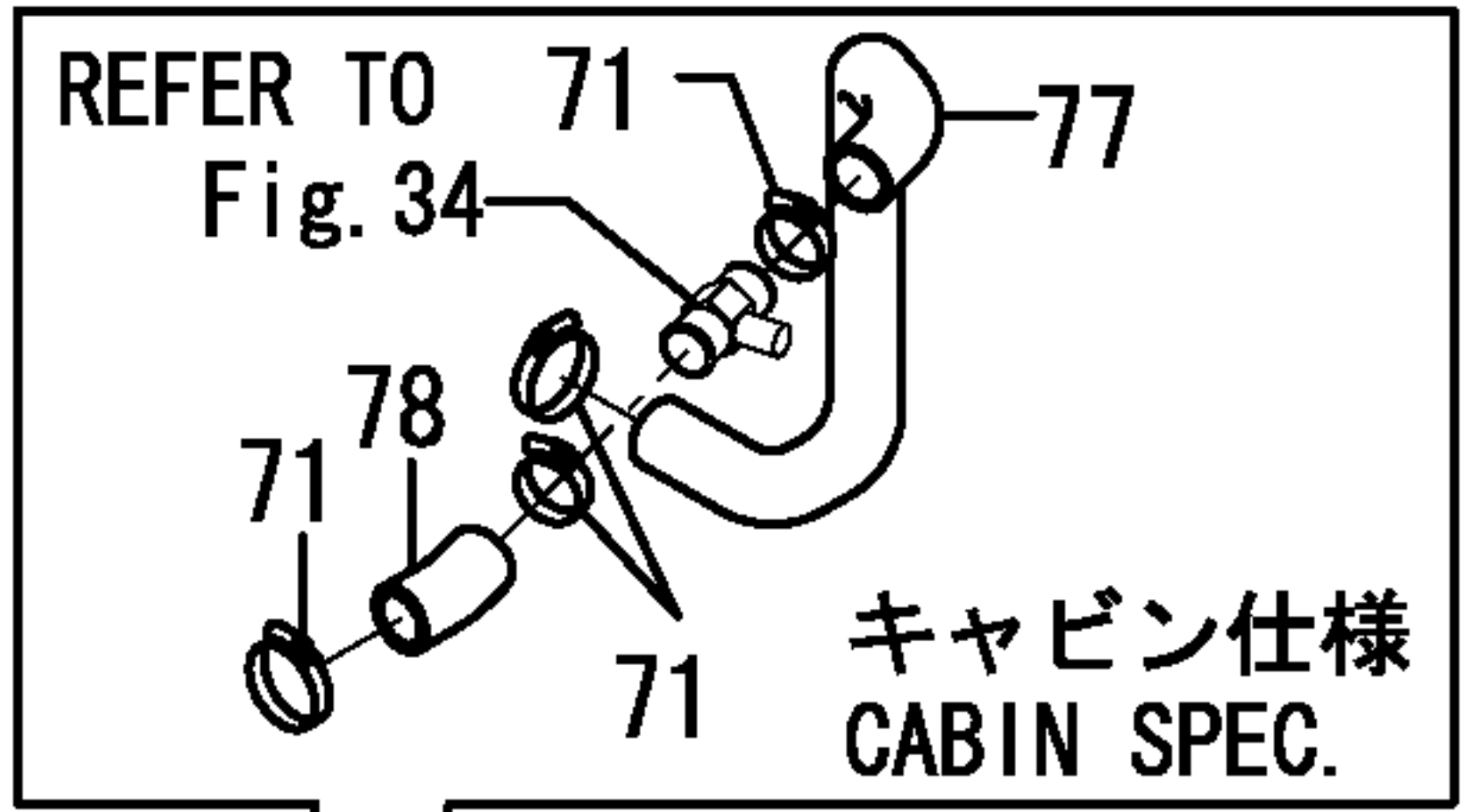


1,1,,772458-03140,, "LABELSET VIO30-2P)EX",,,,1,,,,,,,,,,,,,I  
2,2,,172458-03140,, "LABEL, FRONT",,,,1,,,,,,,,,,,,,I  
3,2,,172458-03150,, "LABEL,MODEL",,,,2,,,,,,,,,,,,,I  
4,2,,172472-03150,, "LABEL,OIL&WATER",,,,1,,,,,,,,,,,,,I  
5,2,,172458-03160,, "LABEL, REAR",,,,1,,,,,,,,,,,,,I  
6,2,,172472-03160,, "LABEL,GREASE",,,,1,,,,,,,,,,,,,I  
7,2,,172958-03160,, LABEL,,,,,1,,,,,,,,,,,,,I  
8,2,,172472-03170,, "LABEL,FUSE",,,,1,,,,,,,,,,,,,I  
9,2,,172490-03200,, LABEL,,,,,1,,,,,,,,,,,,,I  
10,2,,172490-03210,, "LABEL, P.T.O.",,,,1,,1,,,,,,,,,,,,,I  
11,2,,172458-03220,, "LABEL,ACCELERATOR",,,,1,,,,,,,,,,,,,I  
12,2,,172472-03230,, "LABEL,OPERATION PIN",,,,1,,,,,,,,,,,,,I  
13,2,,172437-03241,, "LABEL,CRAWLER",,,,1,,,,,,,,,,,,,I  
14,2,,172458-03240,, "LABEL,LOCK",,,,2,,2,,,,,,,,,,,,,I  
15,2,,172472-03240,, "LABEL,PIN US",,,,1,,,,,,,,,,,,,I  
16,2,,172437-03250,, "TAG,SERVICING ASSY",,,,1,,,,,,,,,,,,,I  
19,2,,172472-03250,, "LABEL,OPERATION Q US",,,,1,,,,,,,,,,,,,I  
20,2,,172171-03261,, "LABEL,BOOM",,,,2,,,,,,,,,,,,,I  
21,2,,172472-03260,, "LABEL,FINGER",,,,1,,,,,,,,,,,,,I  
22,2,,172472-03270,, "LABEL,SAND US",,,,1,,,,,,,,,,,,,I  
23,2,,124764-44920,, "LABEL, ANTI-FREEZING",,,,1,,,,,,,,,,,,,I  
24,2,,172183-03280,, "LABEL,LOCK",,,,2,,,,,,,,,,,,,I  
25,2,,172472-03280,, LABEL,,,,,1,,,,,,,,,,,,,I  
26,2,,172463-03290,, "LABEL,HYD.OIL US",,,,1,,,,,,,,,,,,,I  
27,2,,172472-03290,, "LABEL,SWITCH",,,,1,,,,,,,,,,,,,I  
28,2,,172437-03300,, "LABEL,MANUAL",,,,1,,,,,,,,,,,,,I  
29,2,,172472-03300,, "LABEL,COVER",,,,1,,,,,,,,,,,,,I  
30,2,,172437-03310,, "LABEL,SLOPE",,,,1,,,,,,,,,,,,,I  
31,2,,172437-03321,, "LABEL,HYD.OIL TANK",,,,1,,,,,,,,,,,,,I  
32,2,,172462-03320,, LABEL,,,,,1,,,,,,,,,,,,,I  
33,2,,172463-03330,, "LABEL,COVER",,,,1,,,,,,,,,,,,,I  
34,2,,172437-03341,, "LABEL,TRANSPORT",,,,1,,,,,,,,,,,,,I  
35,2,,172437-03351,, "LABEL,GREASE CYL.",,,,2,,,,,,,,,,,,,I  
36,2,,172141-03360,, "LABEL, START SWITCH",,,,1,,,,,,,,,,,,,I  
37,2,,172437-03360,, "LABEL,BATTERY",,,,1,,,,,,,,,,,,,I  
38,2,,172437-03371,, LABEL,,,,,1,,,,,,,,,,,,,I  
39,2,,172437-03380,, "LABEL,SWING AREA",,,,1,,,,,,,,,,,,,I  
40,2,,172437-03390,, "LABEL,RADIATOR",,,,1,,,,,,,,,,,,,I  
41,2,,172437-03401,, "LABEL (ENG COVER US",,,,1,,,,,,,,,,,,,I  
42,2,,172437-03411,, "LABEL (ENG ROOM US",,,,1,,,,,,,,,,,,,I  
43,2,,172437-03421,, "LABEL,MUFFLER",,,,1,,,,,,,,,,,,,I  
44,2,,172437-03431,, "LABEL,STEERING",,,,1,,,,,,,,,,,,,I  
45,2,,172437-03460,, "LABEL, BOOM",,,,2,,,,,,,,,,,,,I  
46,2,,172437-03470,, "LABEL,LEVER LOCK",,,,1,,,,,,,,,,,,,I  
47,2,,172437-03500,, "LABEL,FUEL",,,,1,,,,,,,,,,,,,I  
48,2,,172437-03510,, "LABEL,HOOK",,,,4,,,,,,,,,,,,,I  
49,2,,172437-03530,, "LABEL,RE-START",,,,1,,,,,,,,,,,,,I  
50,2,,172458-03701,, "LABEL,SPECIFICATION",,,,1,,,,,,,,,,,,,I  
51,2,,172157-03740,, LABEL,,,,,1,,,,,,,,,,,,,I  
52,2,,172125-03950,, "LABEL, AIR CLEANER",,,,1,,,,,,,,,,,,,I  
53,2,,124764-44810,, "LABEL, SUB-TANK",,,,1,,,,,,,,,,,,,I

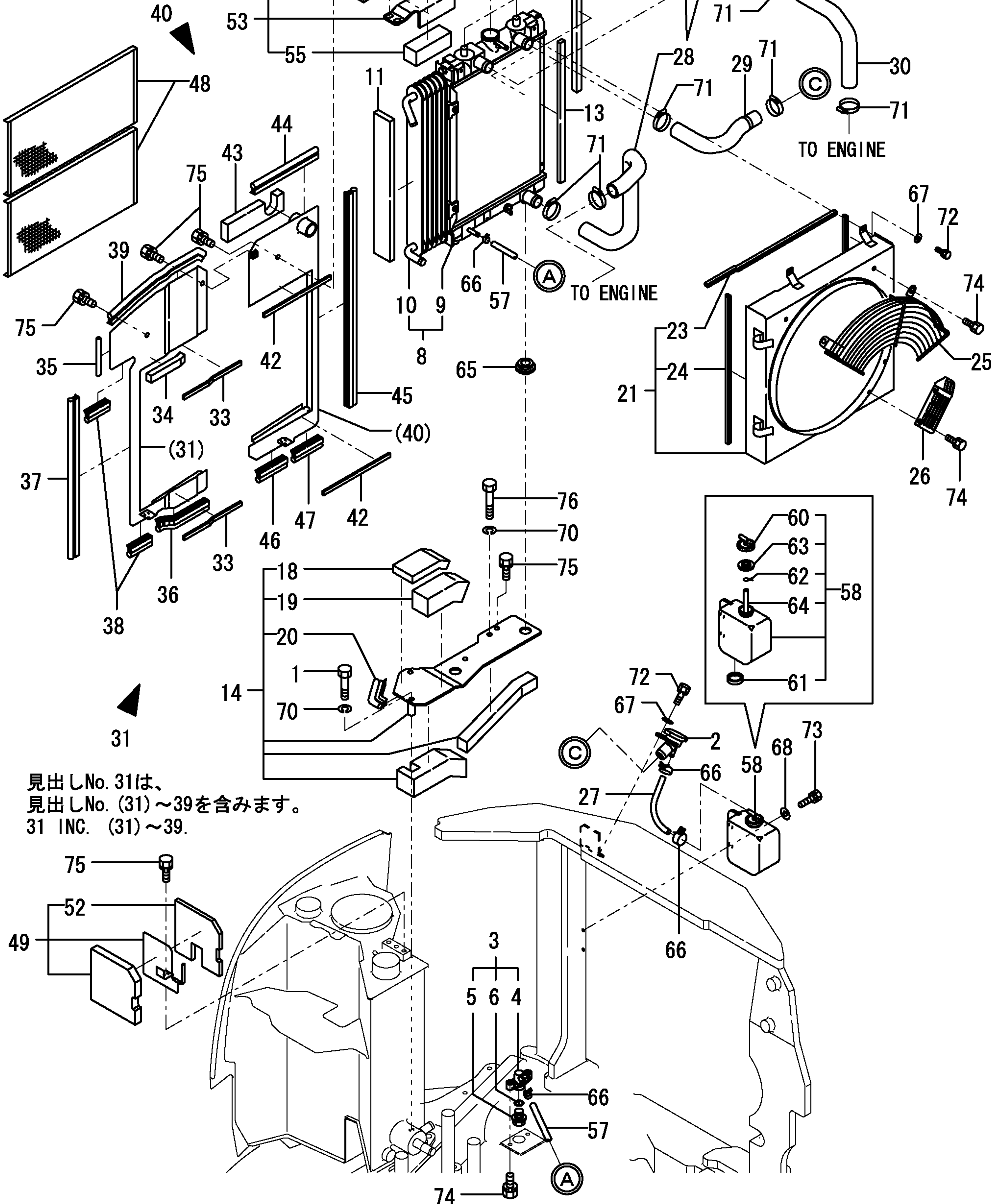
1,1,,172444-03170,,LABEL,,1,,,,,,,,,,,,,  
2,1,,172444-03180,,LABEL,,2,,,,,,,,,,,,,  
3,1,,172444-03190,,LABEL,,1,,,,,,,,,,,,,  
4,1,,172141-03202,, "LABEL,CAUTION" ,,1,,,,,,,,,,,,,  
5,1,,172450-03200,, "LABEL,BATTERY" ,,1,,,,,,,,,,,,,  
6,1,,172458-03200,, "LABEL,FAN" ,,1,,,,,,,,,,,,,  
7,1,,172444-03210,,LABEL,,1,,,,,,,,,,,,,  
8,1,,172458-03210,, "LABEL,BELT" ,,1,,,,,,,,,,,,,  
9,1,,172444-03240,,LABEL,,1,,,,,,,,,,,,,  
10,1,,172444-03280,,LABEL,,2,,,,,,,,,,,,,  
11,1,,172142-03302,, "LABEL,CAUTION" ,,1,,,,,,,,,,,,,  
12,1,,172964-03370,,LABEL,,1,,,,,,,,,,,,,  
13,1,,172964-03481,, "LABEL,DANGER" ,,1,,,,,,,,,,,,,  
16,1,,172164-03510,, "LABEL,LOADING" ,,1,,,,,,,,,,,,,  
17,1,,172164-03540,,LABEL,,1,,,,,,,,,,,,,  
18,1,,172519-04180,, "LABEL,WARNING" ,,1,,,,,,,,,,,,,  
19,1,,172519-04290,, "LABEL,WARNING" ,,1,,,,,,,,,,,,,  
20,1,,172460-03230,, "LABEL,SEAT BELT" ,,1,,,,,,,,,,,,,  
21,1,,172460-03240,, "LABEL,ROPS" ,,1,,,,,,,,,,,,,

1,1,,172458-12100,, "LEVER,ACCELERATOR",1,1,1,1,,,,,,,,,,,,,  
2,1,,172458-12110,, "CABLE,ACCELERATOR",1,1,1,1,,,,,,,,,,,,,  
3,1,,172137-12270,, "JOINT, CABLE",1,1,1,1,,,,,,,,,,,,,  
4,1,,172141-12280,, "CLAMP, ACCEL WIRE",1,1,1,1,,,,,,,,,,,,,  
5,1,,172113-12522,, PIN,1,1,1,1,,,,,,,,,,,,,  
6,1,,1C6281-52310,, "PIN 6,COME-OFF SNAP",2,2,2,2,,,,,,,,,,,,,  
7,1,,1A1040-56900,, "PIN 6X 17",1,1,1,1,,,,,,,,,,,,,  
8,1,,172122-79930,, "CLAMP B",1,1,1,1,,,,,,,,,,,,,  
9,1,,22137-060000,, "WASHER 6, POLISHED",2,2,2,2,,,,,,,,,,,,,  
10,1,,26013-080162,, "BOLT W/WASHER M8X16",2,2,2,2,,,,,,,,,,,,,  
11,1,,26013-100252,, "BOLT W/WASHER M10X25",2,2,2,2,,,,,,,,,,,,,

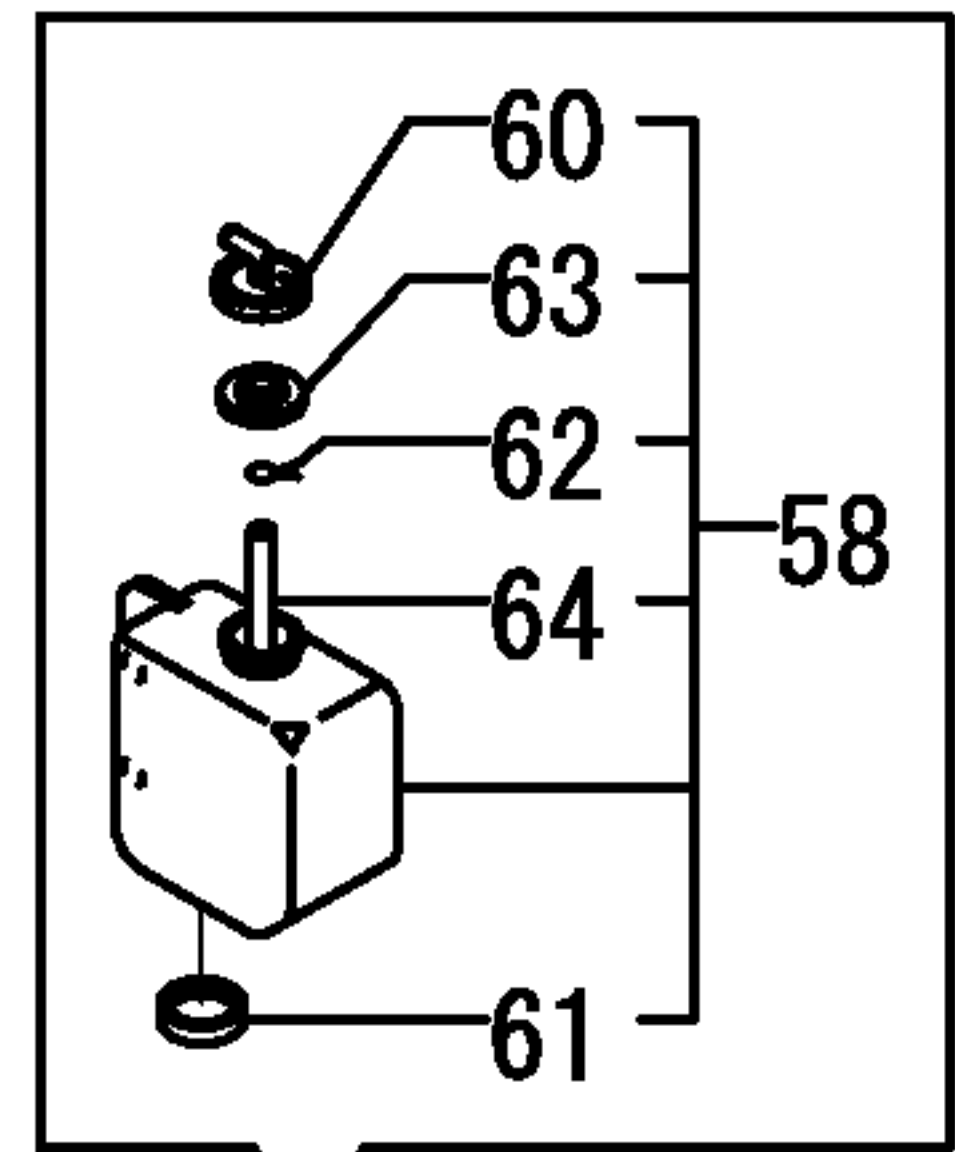
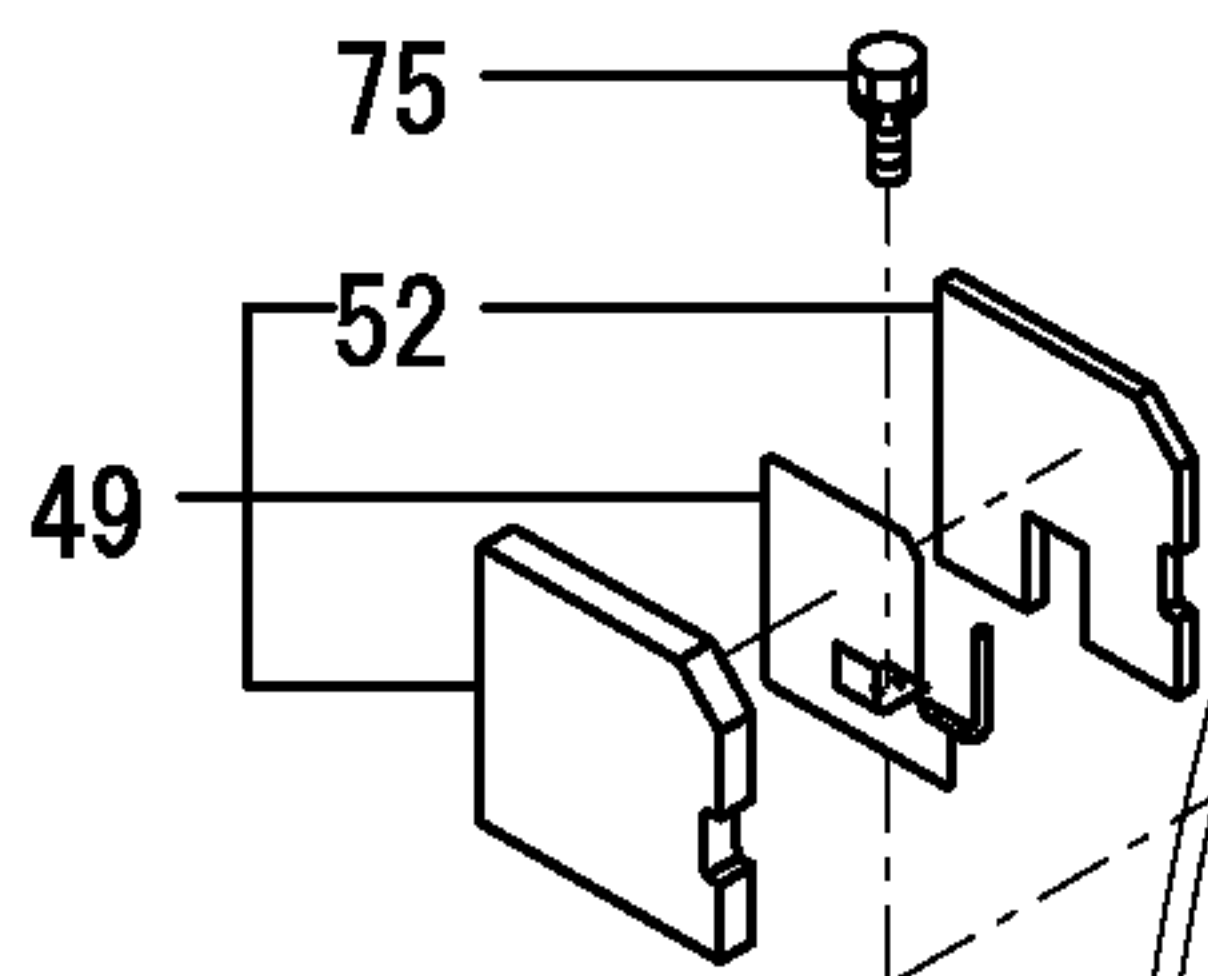
見出しNo. 7は、  
見出しNo. 8~13を含みます。  
7 INC. 8~13.



見出しNo. 40は、  
見出しNo. (40)~47を含みます。  
40 INC. (40)~47.

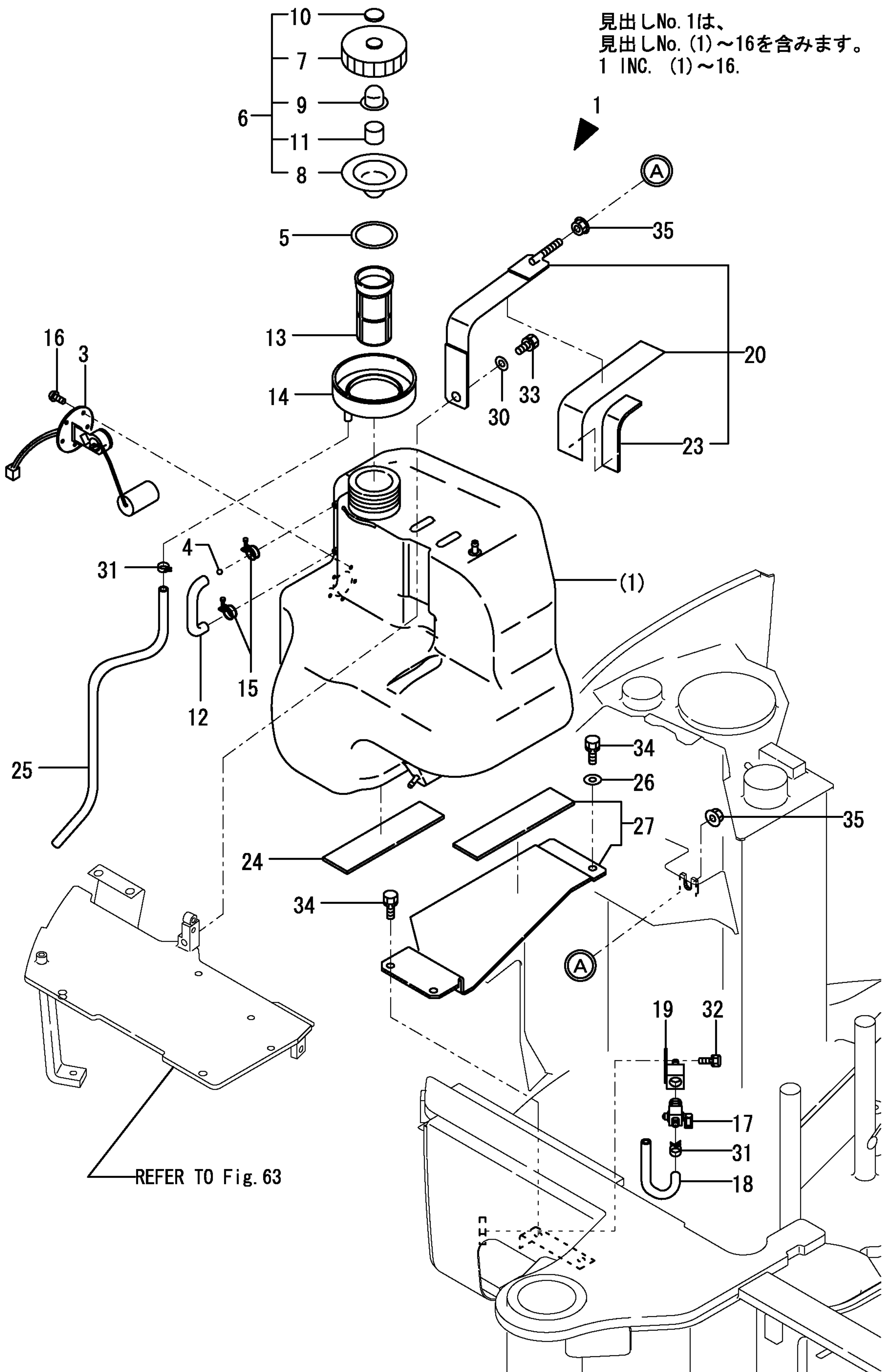


見出しNo. 31は、  
見出しNo. (31)~39を含みます。  
31 INC. (31)~39.

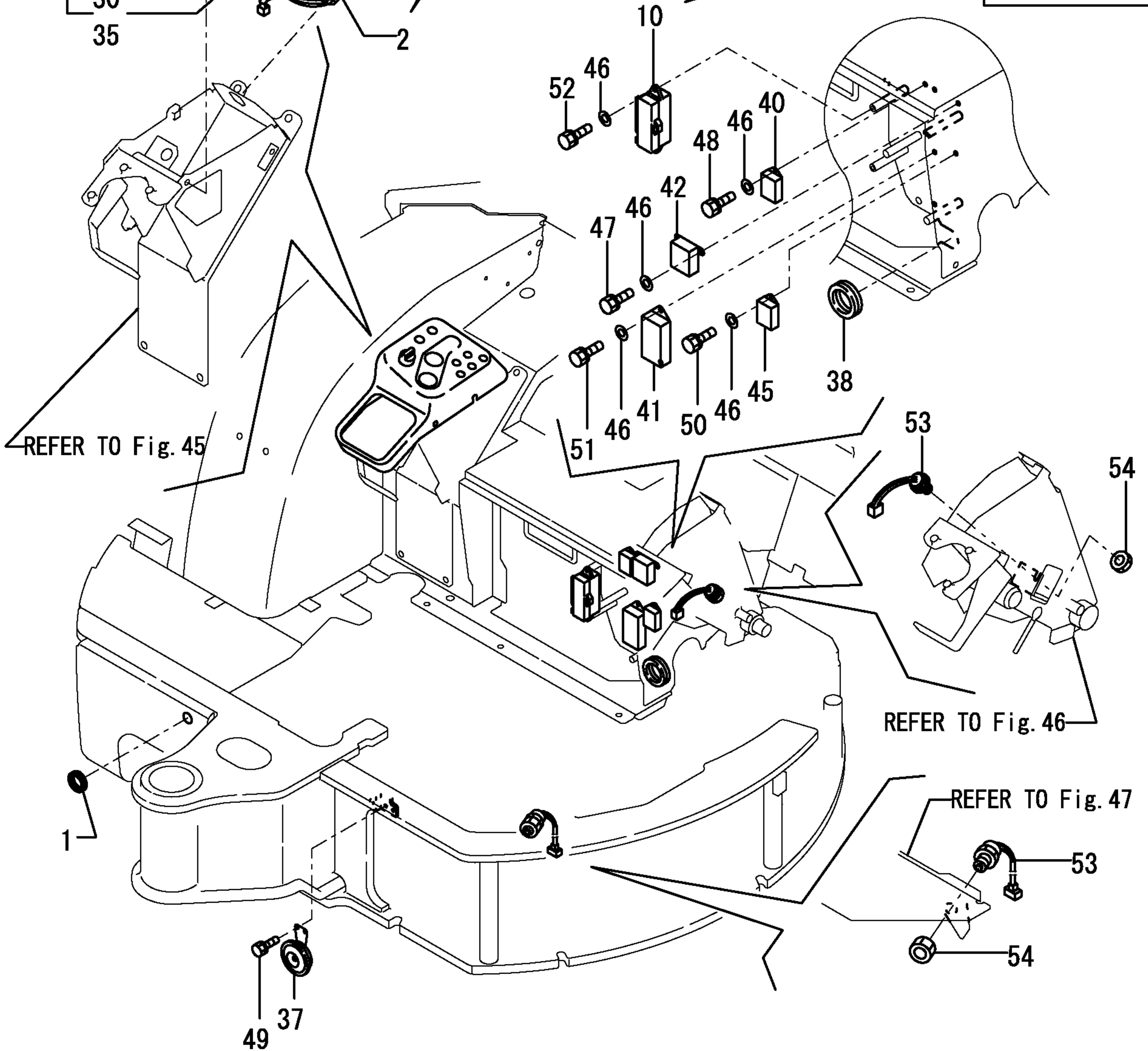
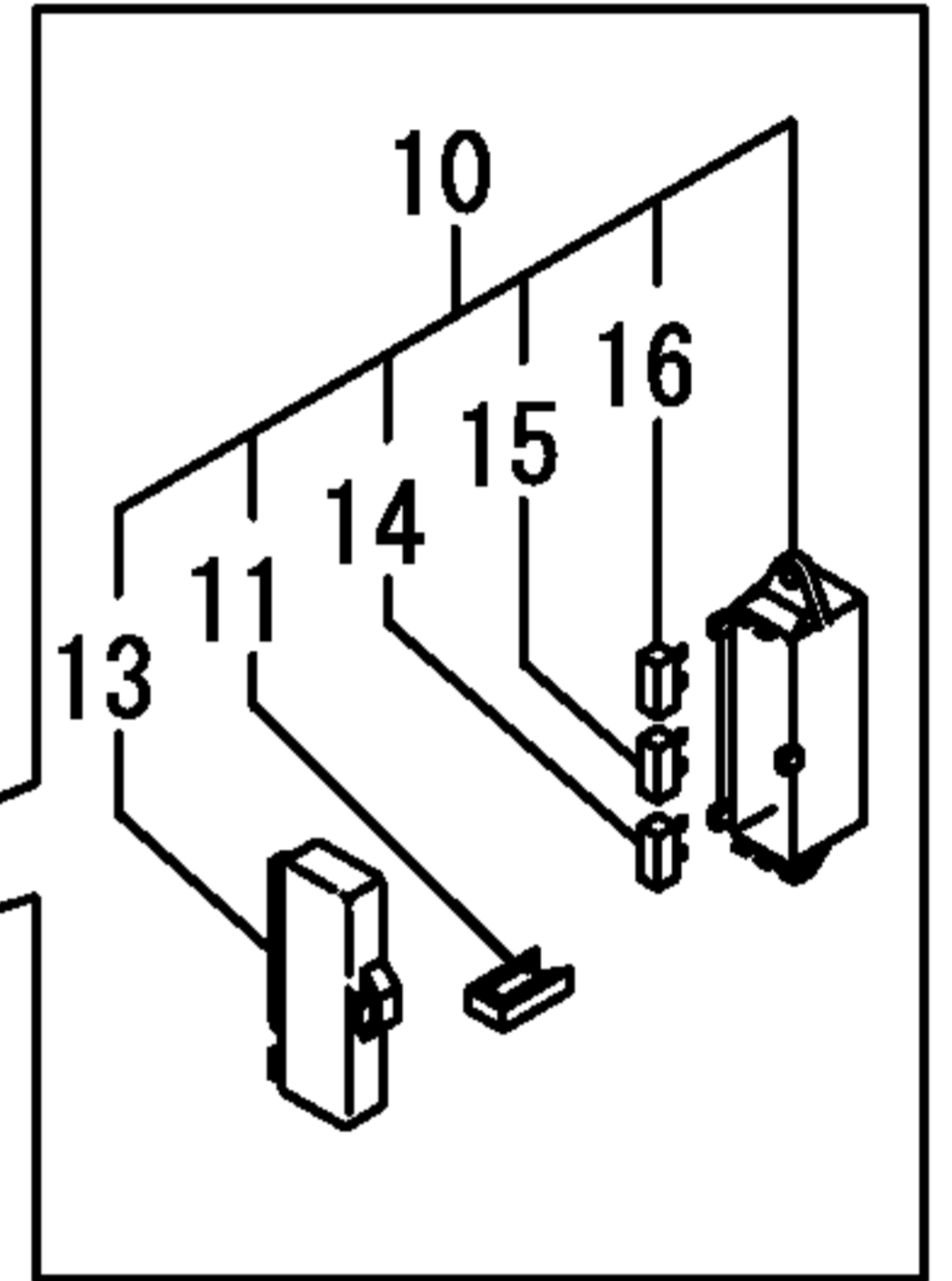
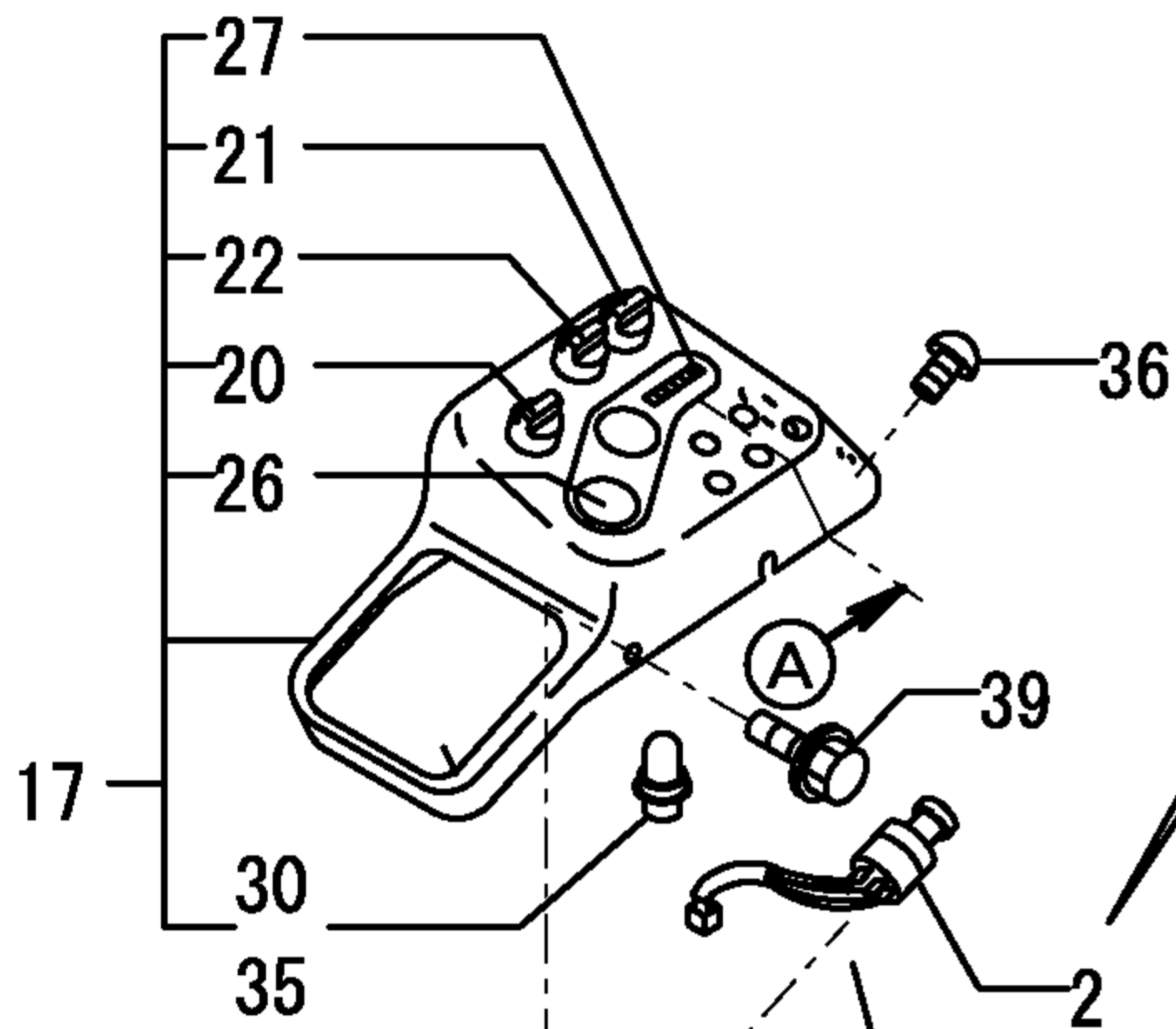
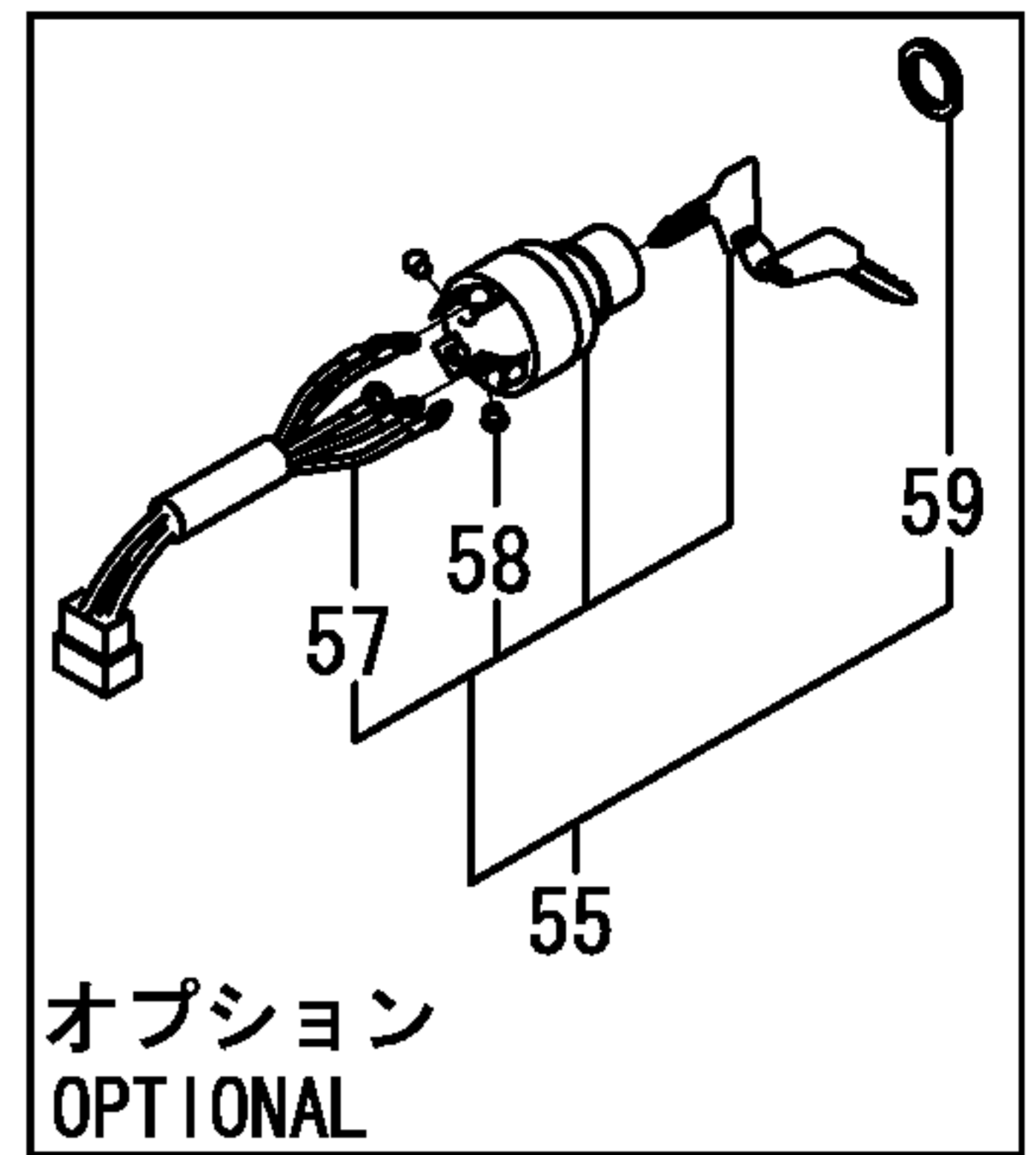
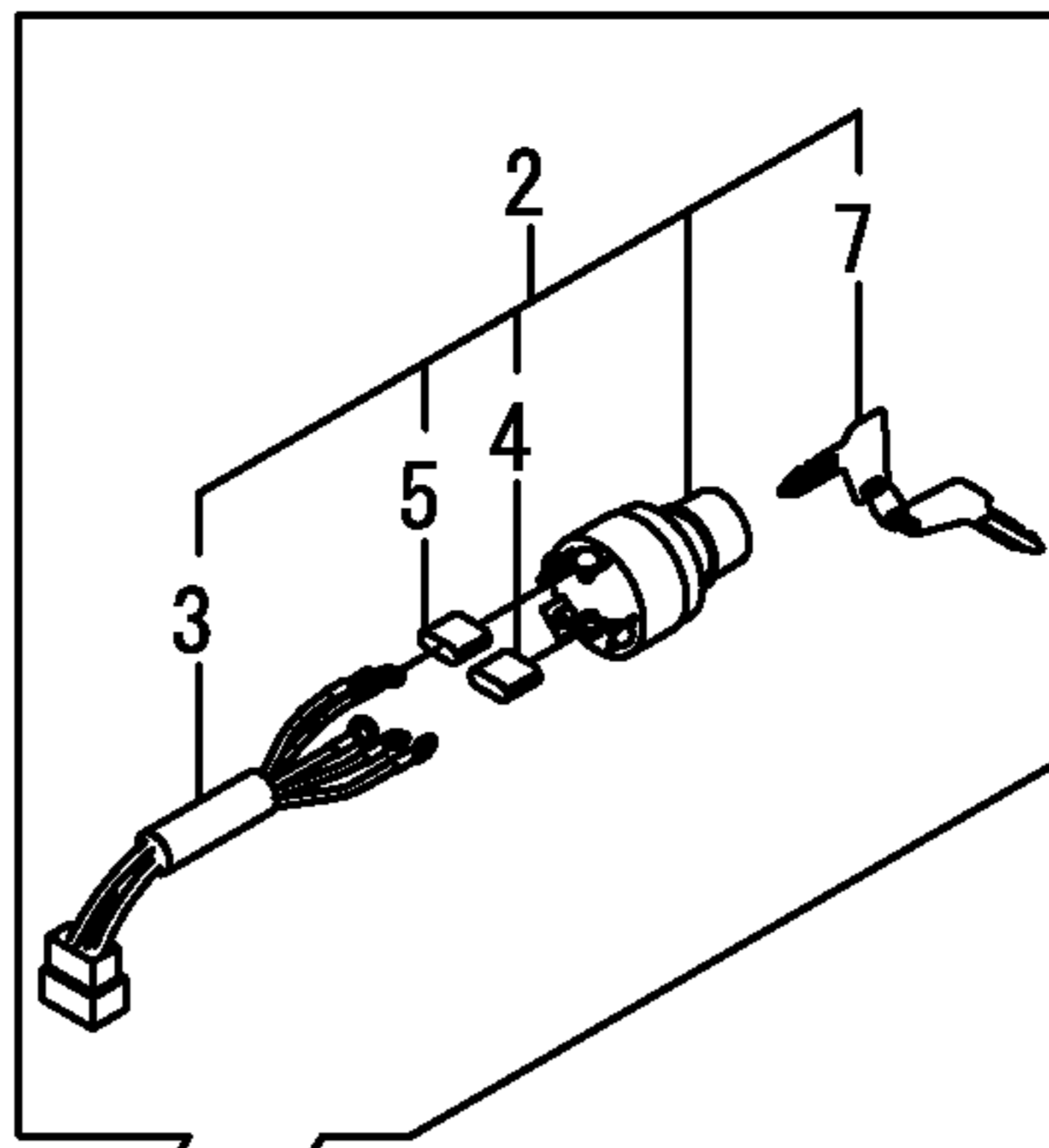
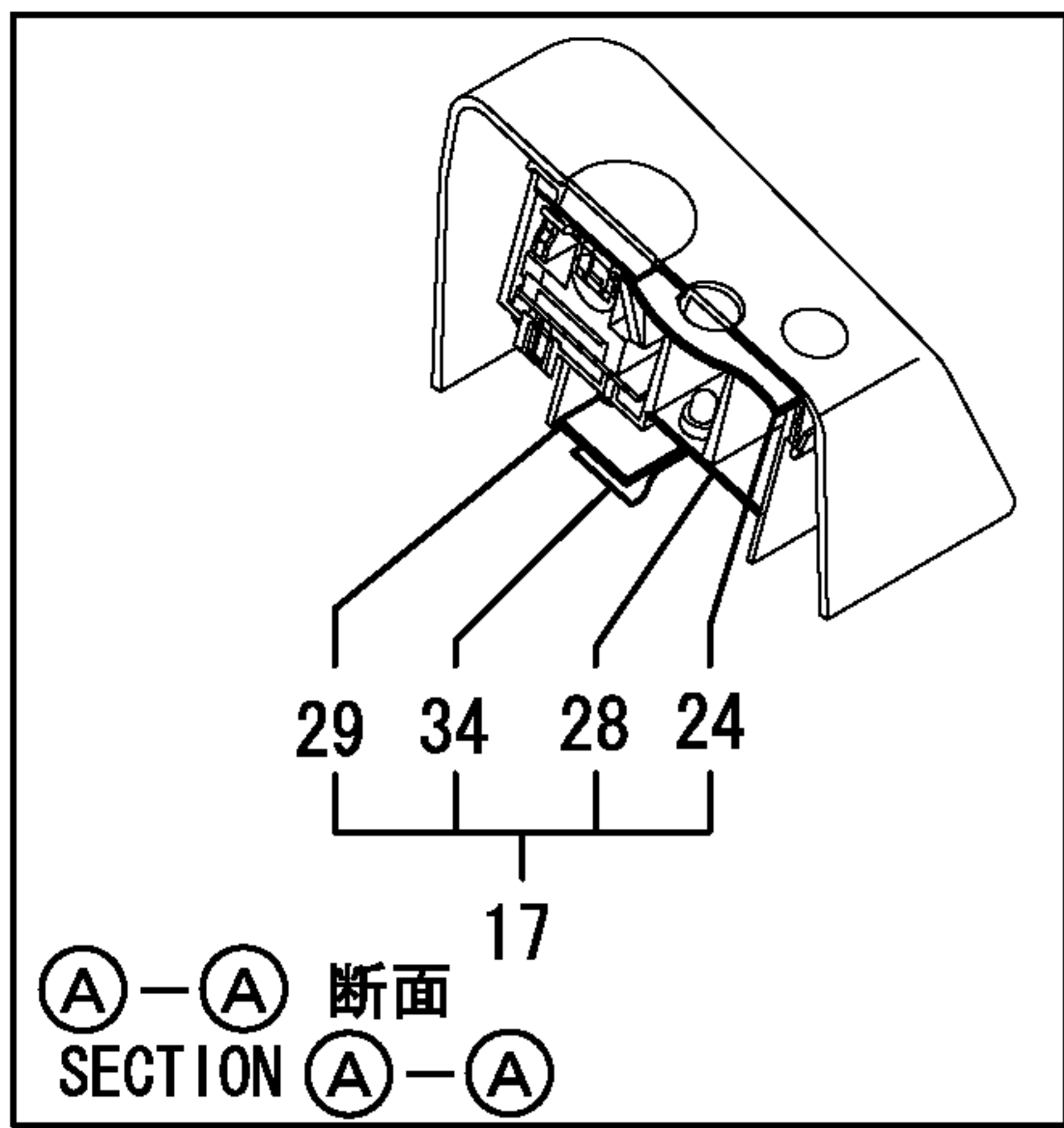


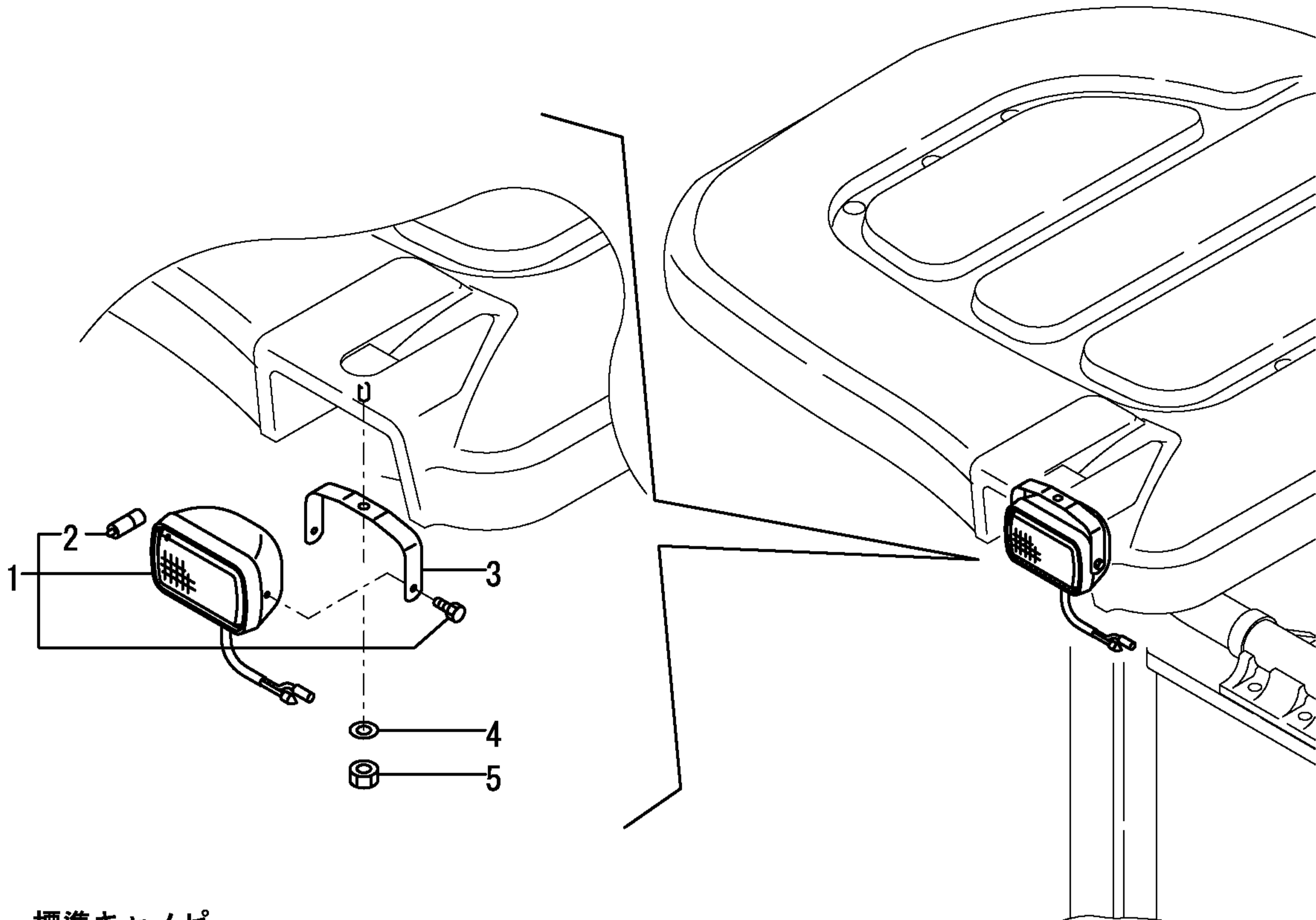
74 (A)

見出しNo. 1は、  
見出しNo. (1)~16を含みます。  
1 INC. (1)~16.

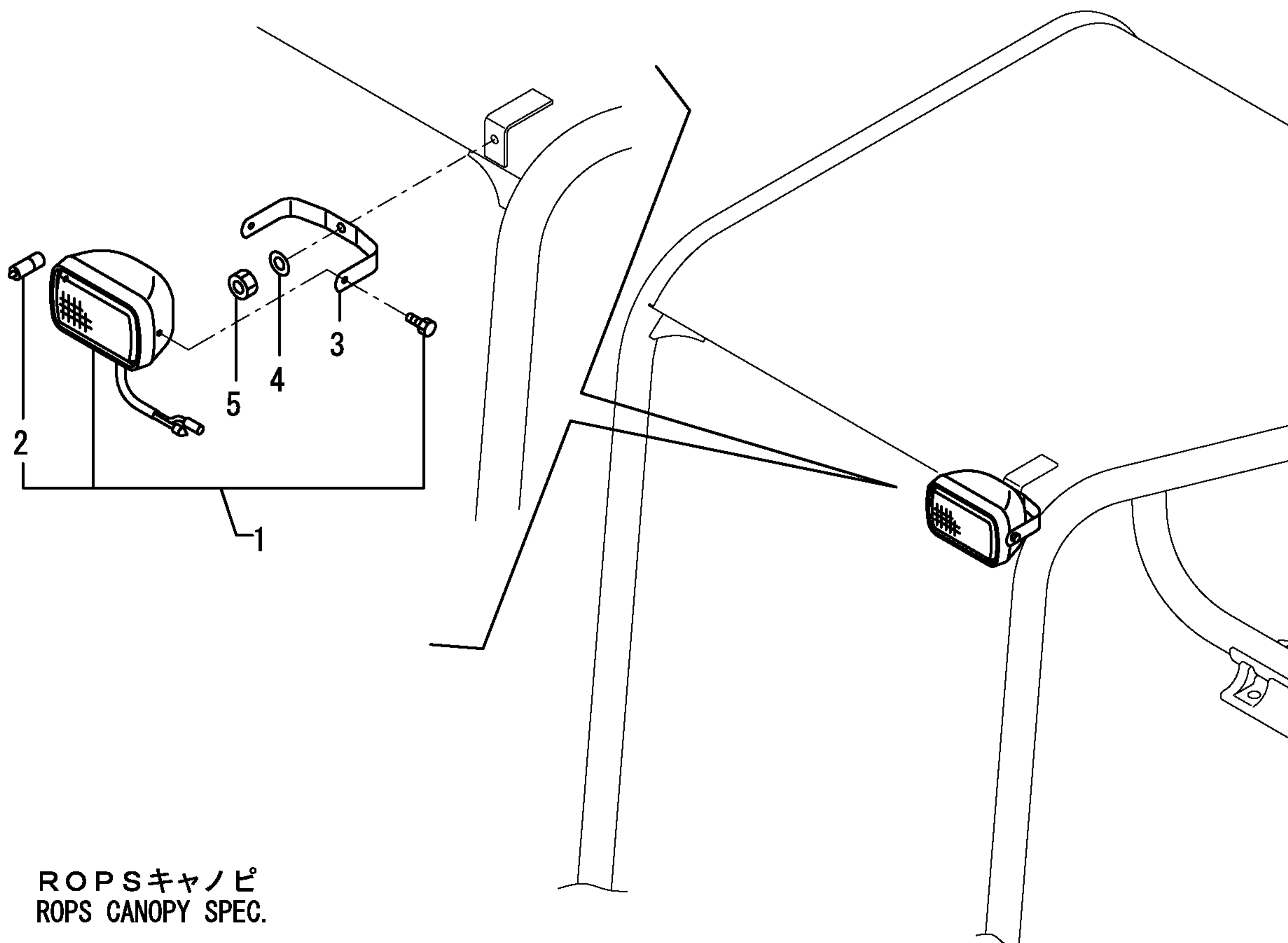


REFER TO Fig. 63

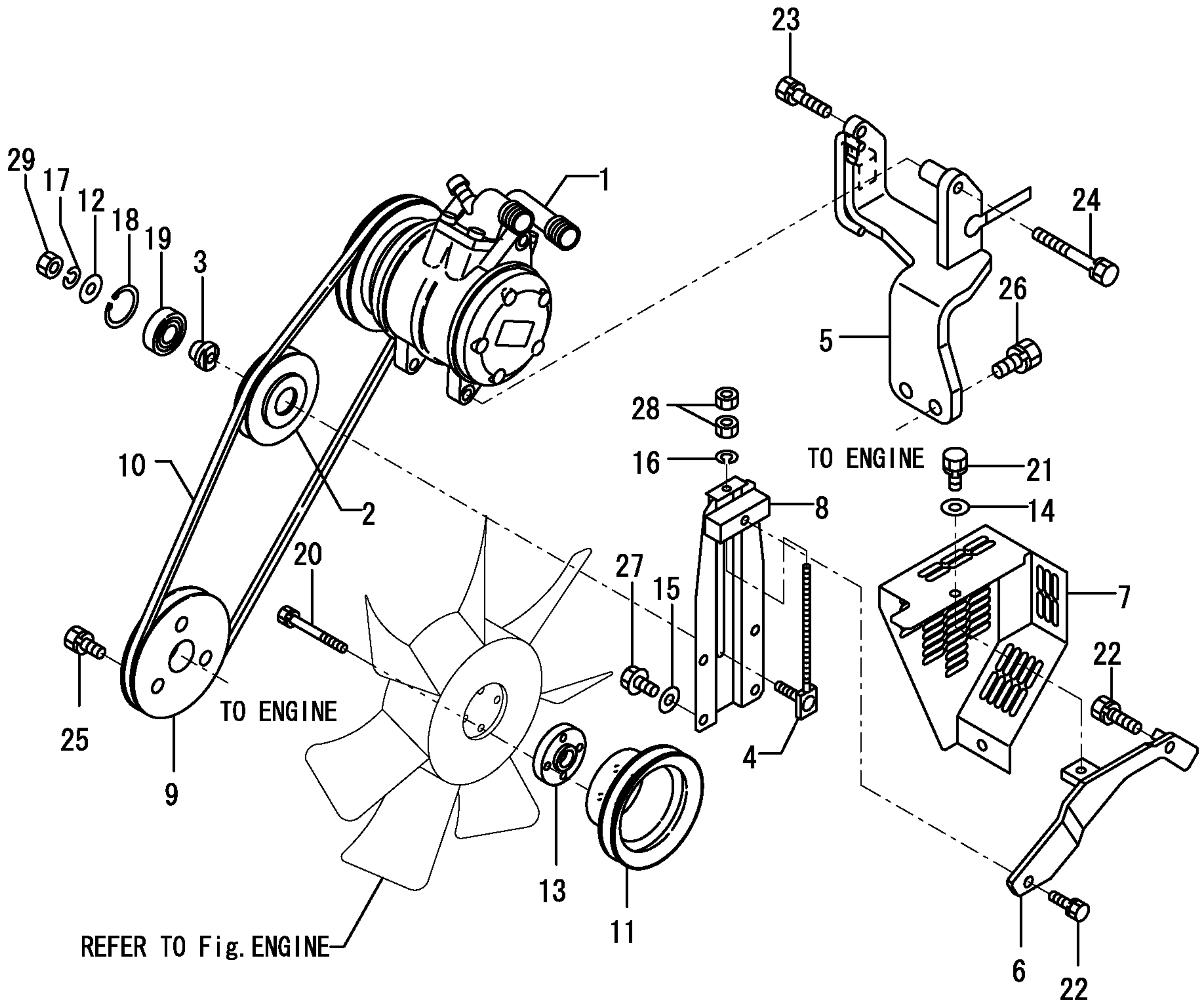


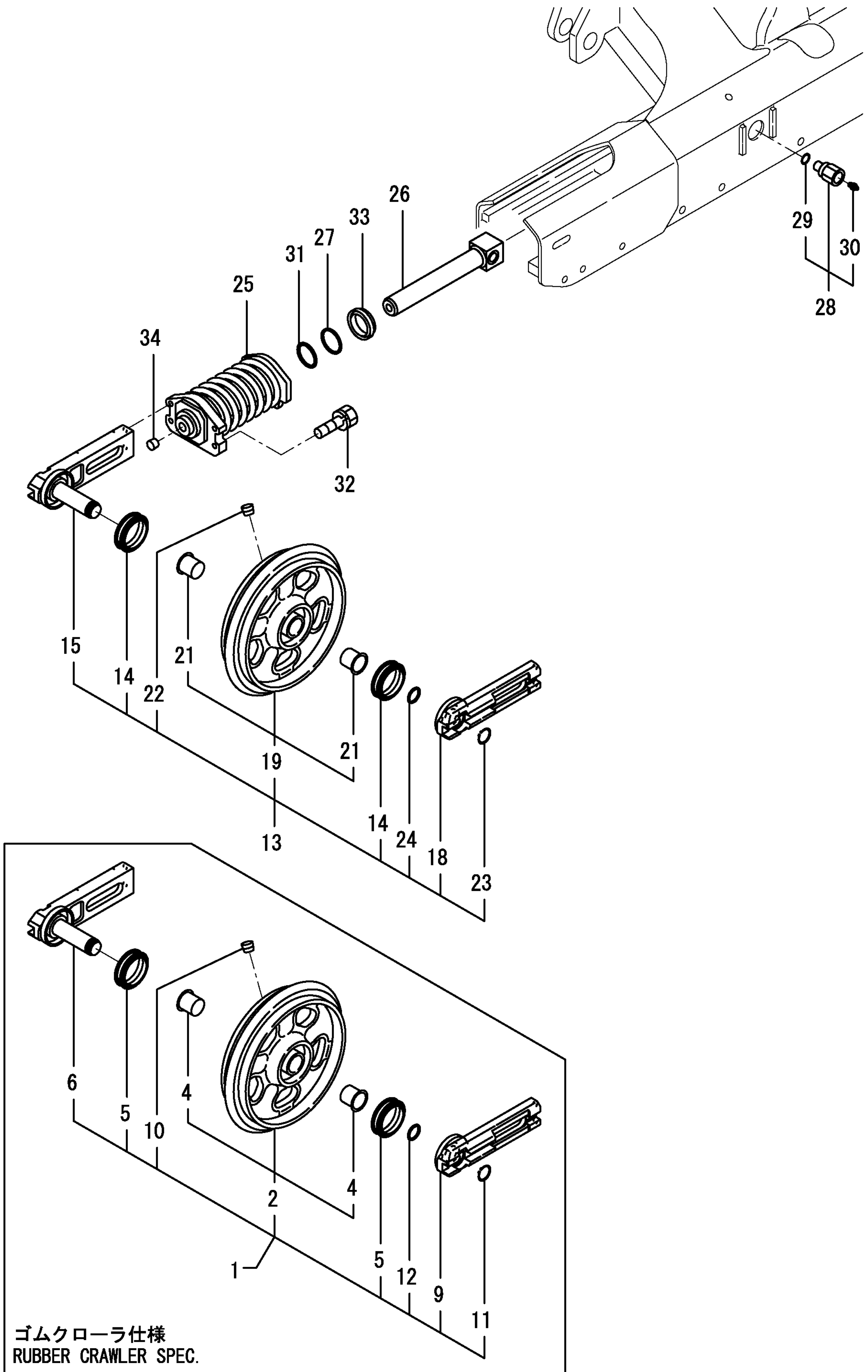


標準キャノピー  
CANOPY SPEC.



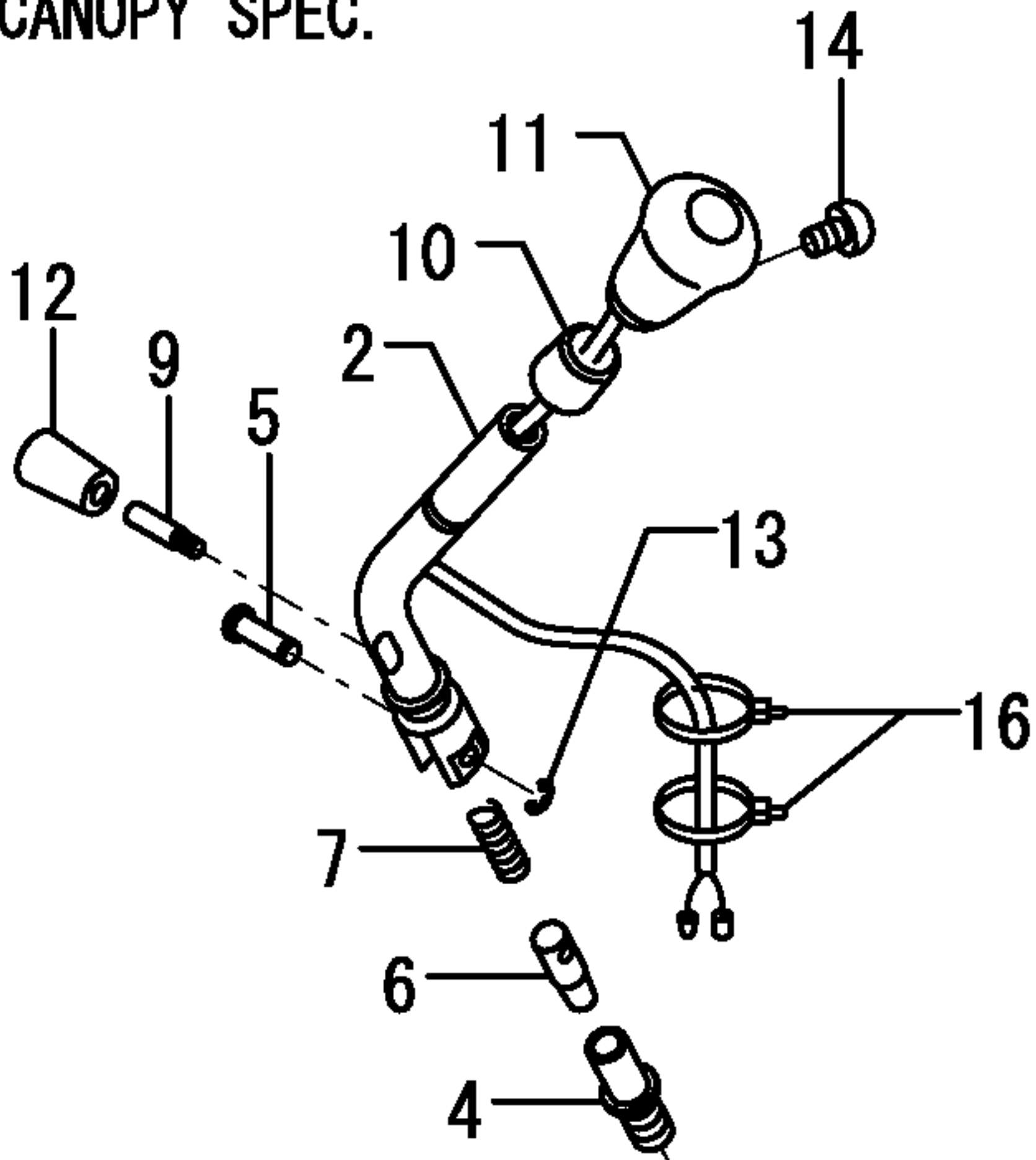
ROPSキャノピー  
ROPS CANOPY SPEC.



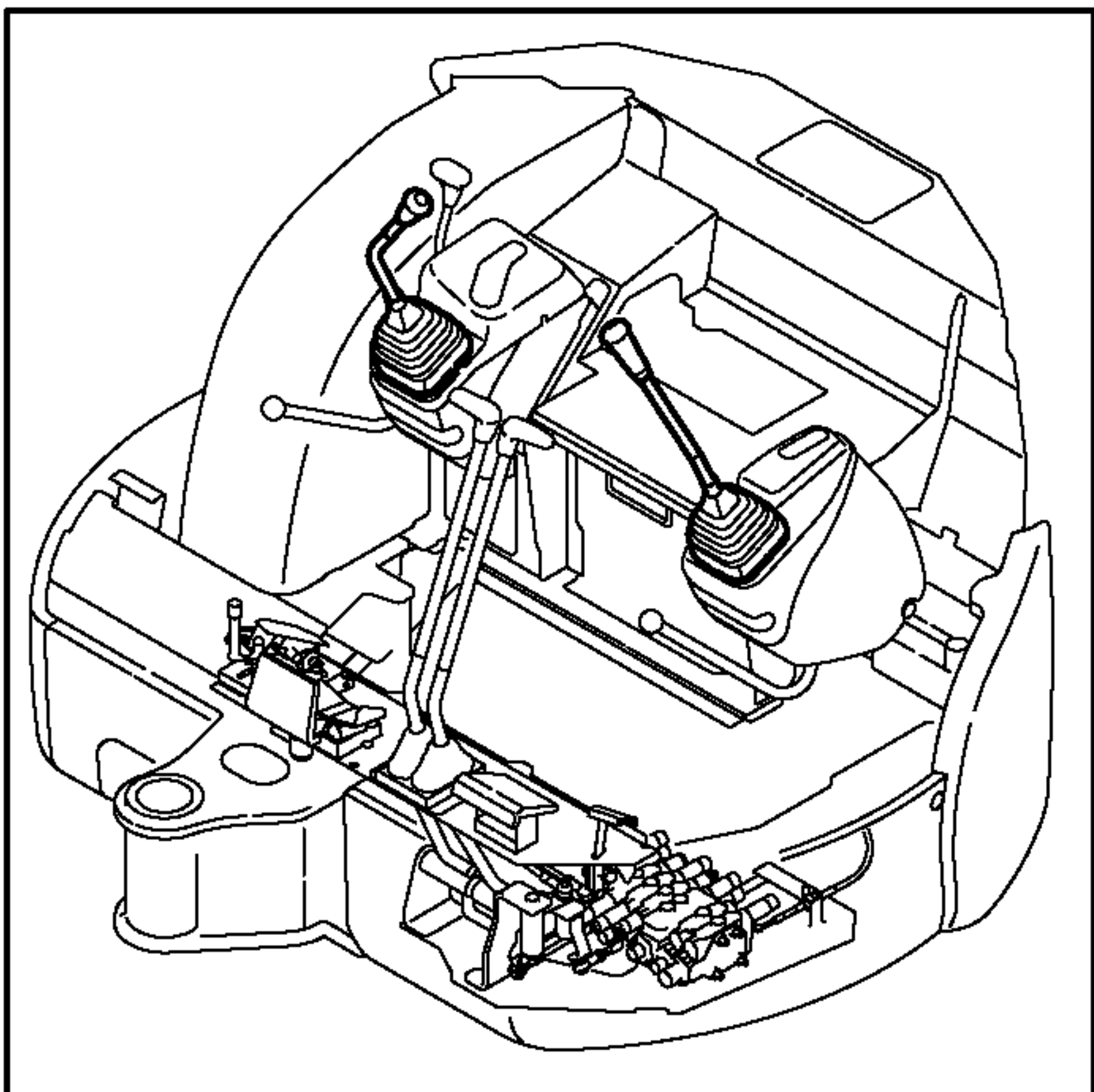
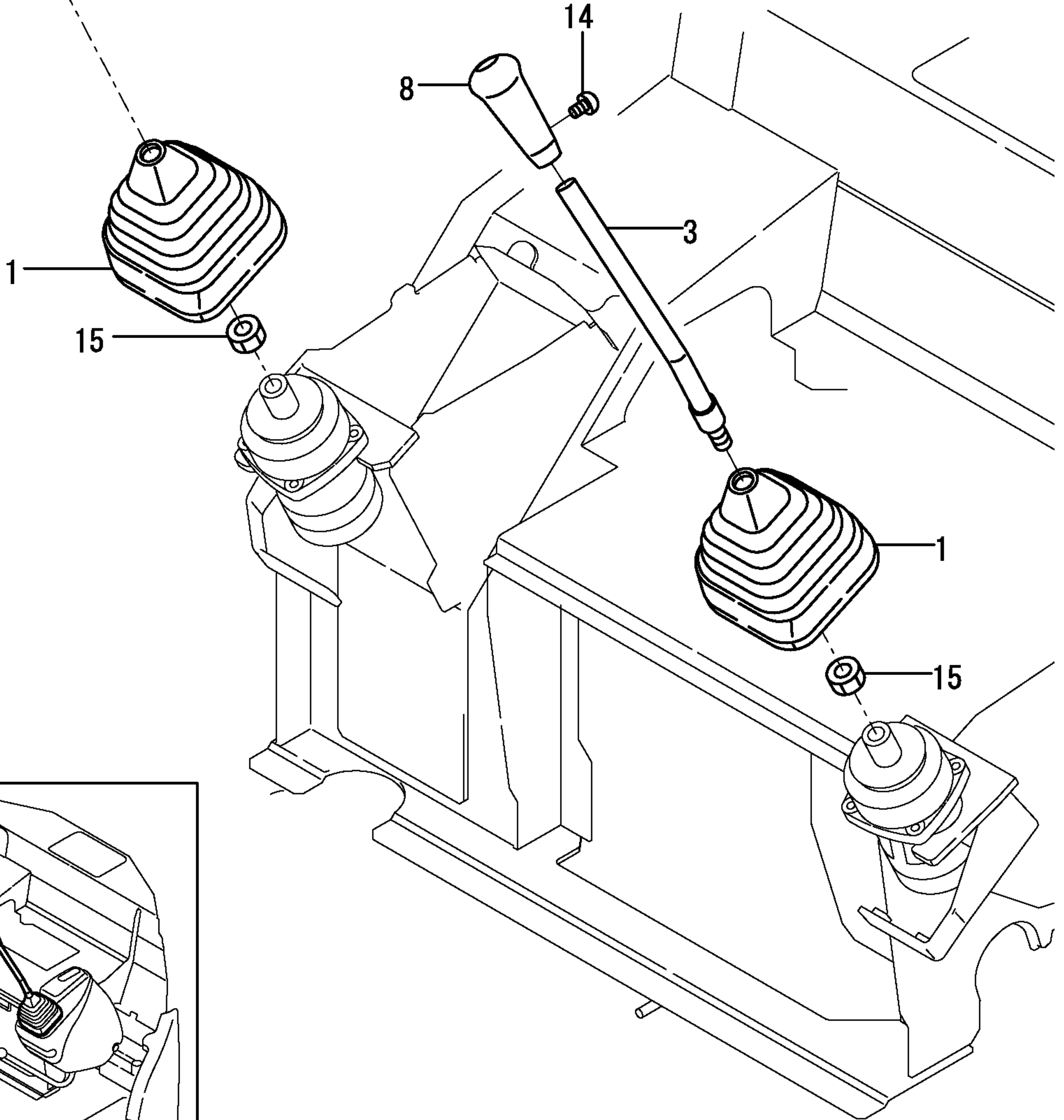
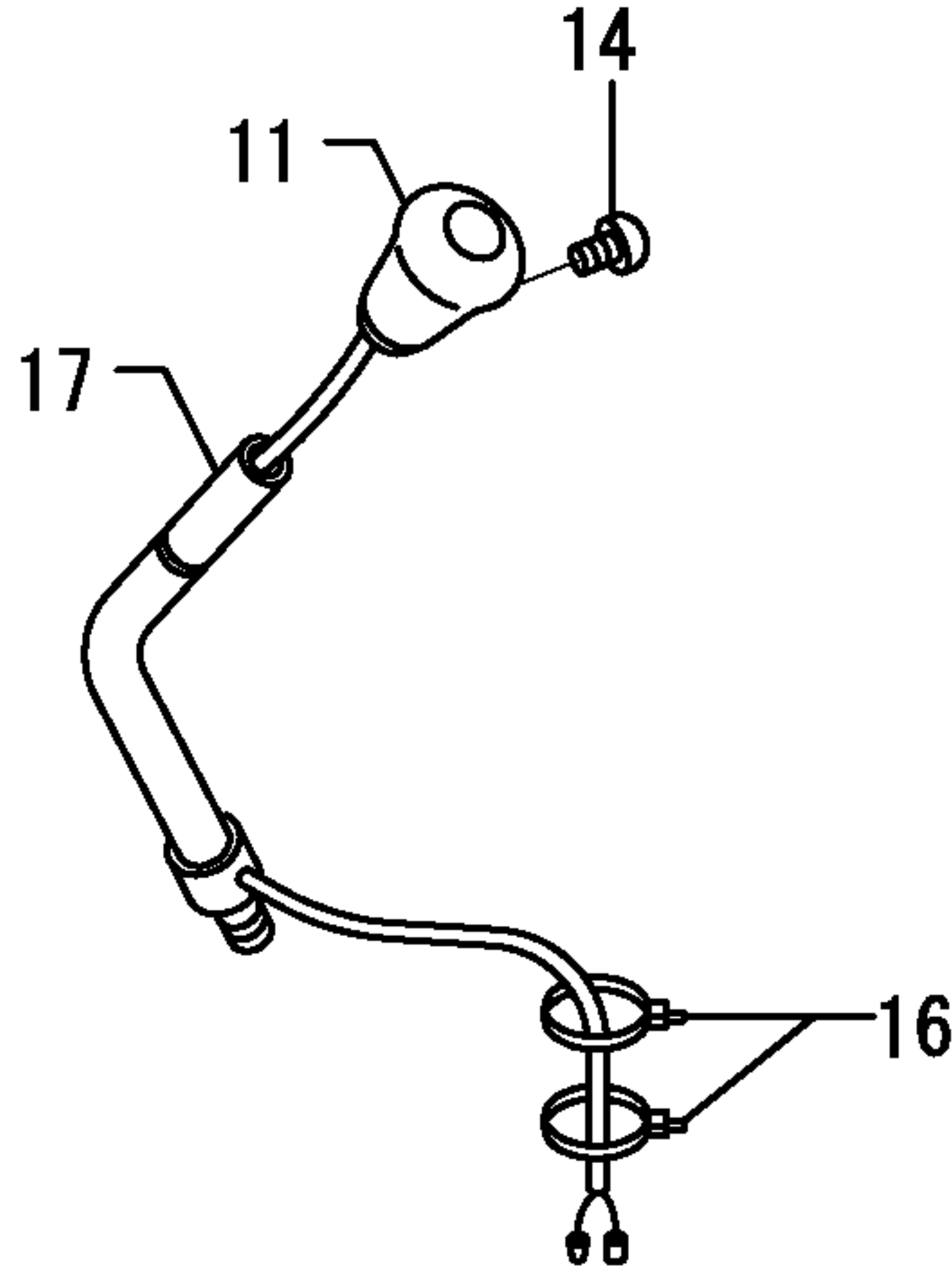


ゴムクローラ仕様  
RUBBER CRAWLER SPEC.

キャノピ仕様  
CANOPY SPEC.



キャビン仕様  
CABIN SPEC.



172458-08700 (TO M/#20654)  
172458-08701 (FROM M/#20655)

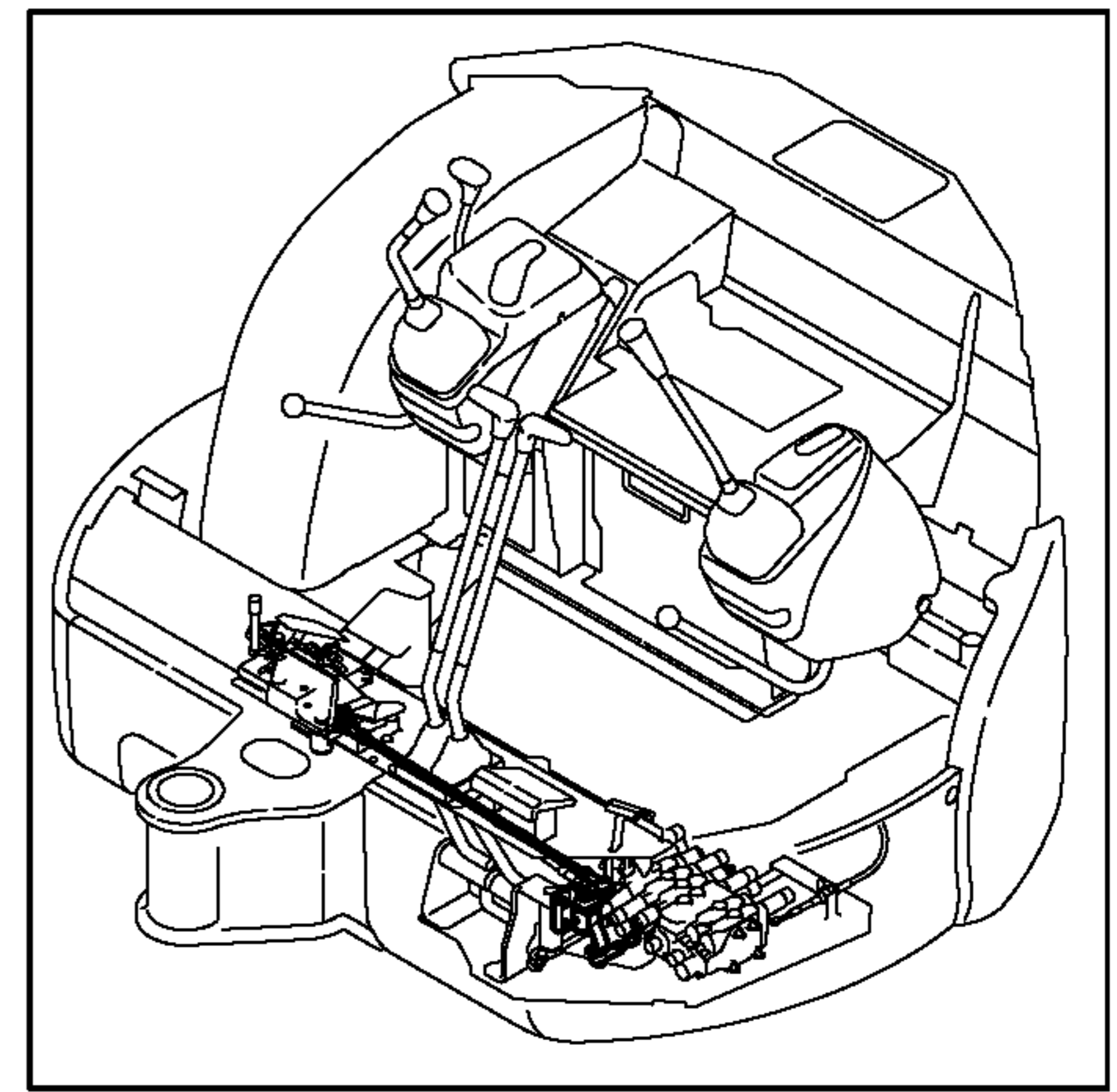
172458-08720

P.T.O. KIT (ARM END) は、  
項目NO. 135を参照下さい。

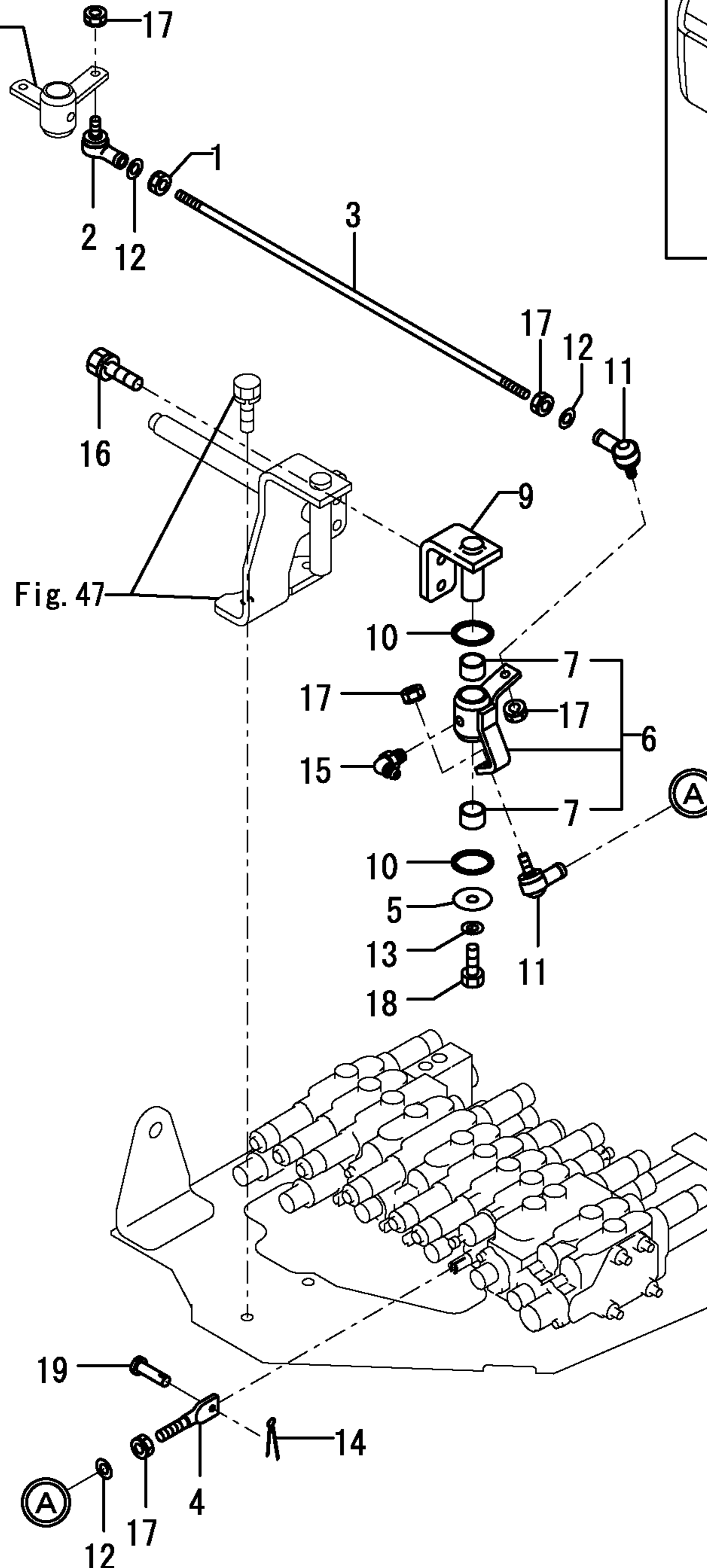
P.T.O. KIT (フレームエンド) は、  
項目NO. 136を参照下さい。

P.T.O. KIT (ARM END)  
is shown in Fig. 135.

P.T.O. KIT (FRAME END)  
is shown in Fig. 136.



REFER TO Fig. 52



REFER TO Fig. 47

34,1,,26106-100162,, "BOLT M10X 16  
PLATED",2,2,,,,,Z,,72457037,M/#21080,72457037,M/#21080,,,,,  
35,1,,26106-100162,, "BOLT M10X 16 PLATED",4,4,4,4,,,,,  
36,1,,26106-100162,, "BOLT M10X 16 PLATED",2,2,2,2,,,,,  
37,1,,26106-100162,, "BOLT M10X 16 PLATED",2,2,2,2,,,,,  
38,1,,172458-62301,, "COVER  
ASSY",1,1,1,1,,,,,Z,,72457037,M/#21080,72457037,M/#21080,72457037,M/#21080,7245703  
7,M/#21080,,,  
42,1,,26014-100202,, "BOLT M10X  
20",2,2,2,2,,,,,Z,,72457037,M/#21080,72457037,M/#21080,72457037,M/#21080,72457037,  
M/#21080,,,  
43,1,,26013-100202,, "BOLT W/WASHER M10X20",1,1,1,1,,,,,  
44,1,,26116-100302,, "BOLT 10X30",1,1,1,1,,,,,  
45,1,,172457-61080,, "COVER,FRAME L (97)",1,1,,,,,2,,,,,  
48,1,,172458-61120,, "COVER,ENG-OIL (97)",1,1,,,,,2,,,,,  
49,1,,172458-61141-4,, "COVER,PUMP(GREEN:97)",1,1,,,,,2,,,,,  
50,1,,172458-61830,, "COVER,A(A/C VALVE",1,1,,,,,2,,,,,  
51,1,,26106-100162,, "BOLT M10X 16 PLATED",2,2,,,,,2,,,,,  
52,1,,172458-62301,, "COVER ASSY",1,1,,,,,2,,,,,  
56,1,,26014-100202,, "BOLT M10X 20",2,2,,,,,2,,,,,  
57,1,,22137-100000,, "WASHER 10,POLISHED",5,5,,,,,  
57-1,1,,22137-100000,, "WASHER  
10,POLISHED",4,4,4,4,,,,,K,,72458520,M/#22743,72458520,M/#22743,,,,,

CLICK HERE TO **DOWNLOAD** THE COMPLETE MANUAL

- Thank you very much for reading the preview of the manual.
- You can download the complete manual from: [www.heydownloads.com](http://www.heydownloads.com) by clicking the link below



- Please note: If there is no response to CLICKING the link, please download this PDF first and then click on it.

CLICK HERE TO **DOWNLOAD** THE COMPLETE MANUAL

1,1,,172458-62110,, "STEP,SIDE L(BLACK:12",,1,,1,,,,,,,,,,,,,  
2,1,,172458-62120,, "STEP,FRONT R(GREEN97",,1,1,,,,,,,,,,,,,  
2-1,1,,172458-62121-4,, "STEP,FRONT  
R(GREEN97",,1,1,1,1,, ,Q,,72458287,M/#20664,72458287,M/#20664,,,,,,,,,  
3,1,,172458-62180,, "PLATE,SUB (GREEN:97)",,1,1,1,1,,,,,,,,,,,,,  
4,1,,172458-62200,, "MAT,FLOOR A",,1,,1,,,,,,,,,,,,,  
5,1,,172458-62210,, "MAT,FLOOR B",,1,,1,,,,,,,,,,,,,  
6,1,,172458-62270,, "STEP ASSY",,1,1,,,,,,,,,,,,,  
6-1,1,,172457-62270,, "STEP  
(GRAY:73)",,1,1,1,1,, ,N,,72457037,M/#21080,72457037,M/#21080,,,,,,,,,  
7,2,,172458-  
62280,, "SEAL,STEP",,1,1,,,,,Z,,72457037,M/#21080,72457037,M/#21080,,,,,,,,,  
8,2,,172458-62290,, "SEAL  
820",,3,3,,,,,Z,,72457037,M/#21080,72457037,M/#21080,,,,,,,,,  
10,1,,172458-62500,, "HOOK,FLOOR MAT (12)",,1,1,1,1,,,,,,,,,,,,,  
11,1,,22137-120000,, "WASHER 12,POLISHED",,2,,2,,,,,,,,,,,,,  
12,1,,22137-120000,, "WASHER 12,POLISHED",,2,2,2,2,,,,,,,,,,,,,  
13,1,,22157-100000,, "WASHER 10",,1,1,1,1,,,,,,,,,,,,,  
14,1,,22217-120000,, "SPRING WASHER 12",,2,2,2,2,,,,,,,,,,,,,  
15,1,,26013-100202,, "BOLT W/WASHER M10X20",,8,8,8,8,,,,,,,,,,,,,  
16,1,,26013-100252,, "BOLT W/WASHER M10X25",,2,2,2,2,,,,,,,,,,,,,  
17,1,,26013-100252,, "BOLT W/WASHER M10X25",,1,1,1,1,,,,,,,,,,,,,  
18,1,,26013-100402,, "BOLT M10X 40",,1,1,1,1,,,,,,,,,,,,,  
19,1,,26013-120302,, "BOLT W/WASHER M12X30",,2,,2,,,,,,,,,,,,,  
20,1,,26116-120202,, "BOLT M12X 20 PLATED",,2,2,2,2,,,,,,,,,,,,,  
21,1,,172458-62400,, "MAT,FLOOR A(CABIN",,1,,1,,,,,,,,,,,,,  
22,1,,172458-62410,, "MAT,FLOOR B(CABIN",,1,,1,,,,,,,,,,,,,  
23,1,,172458-62510,, "MAT,FLOOR B-P.T.O.",,1,,1,,,,,,,,,,,,,  
24,1,,172458-62520,, "MAT,FLOOR B-P.T.O.(C",,1,,1,,,,,,,,,,,,,  
25,1,,172137-69850,, "SCREW",,1,,1,,,,,,,,,,,,,  
26,1,,172458-62430,, "WASHER M8",,1,,1,,,,,,,,,,,,,  
27,1,,22137-100000,, "WASHER  
10,POLISHED",,8,8,8,8,, ,W,,72458304,M/#20745,72458304,M/#20745,,,,,,,,,  
28,1,,172458-62420,, "FLOOR MAT C (CABIN",,1,,1,, ,W,,72458318,M/#20745,,,,,,,,,  
29,1,,172458-62430,, "WASHER M8",,2,,2,, ,W,,72458306,M/#20745,,,,,,,,,  
30,1,,172137-69850,, "SCREW",,2,,2,, ,W,,72458306,M/#20745,,,,,,,,,  
31,1,,172472-62500,, "FLOOR MAT B (CANOPY",,1,,,,,1,,,,,,,,,,,,,  
31-1,1,,172458-62230,, "MAT, FLOOR",,1,,,,,N,1,, ,72460245,M/#22124,,,,,,,,,I

1,1,,172455-64200,, "SEAT, OPERATOR",,1,,,,,,,,,,,,,,,,,,,,,  
2,1,,172989-64450,, "SEAT BELT",,1,,,,,,,,,,,,,,,,,,,,,  
2-1,1,,172989-64451,, "BELT, SEAT",,1,,,,,R,,,,,72469017,M/#22449,,,,,,  
3,1,,172433-64510,, "BOLT 7/16-20-UNF",,2,,,,,,,,,,,,,,,,,,,,,  
4,1,,172187-64830,, "NUT 7/16-20UNF",,4,,,,,,,,,,,,,,,,,,,,,  
5,1,,22137-120000,, "WASHER 12,POLISHED",,4,,,,,,,,,,,,,,,,,,,,,  
6,1,,933170-01490,, "SPRING 12",,4,,,,,,,,,,,,,,,,,,,,,  
7,1,,172187-61421,, "HANDLE, LOCK",,1,,,,,,,,,,,,,,,,,,,,,  
8,1,,172458-64960,, "PLATE,SEAT ROPS (73)",,1,,,,,,,,,,,,,,,,,,,,,  
12,1,,772457-64211,, "MOUNT,SEAT (GRAY:73)",,1,,,,,,,,,,,,,,,,,,,,,  
12-1,1,,772457-64212,, "MOUNT,  
SEAT(GRAY:73)",,1,,,,,S,,,,,24600324,M/#25501,,,,,,  
20,2,,172458-64660,, "SEAL 95",,1,,,,,,,,,,,,,,,,,,,,,  
22,2,,172187-64900,, "PLUG,,1,,,,,W,,,,,24560289,M/#25501,,,,,,  
23,2,,172458-64750,, "SEAL,SEAL MOUNT E",,1,,,,,,,,,,,,,,,,,,,,,  
24,2,,172164-65730,, "RUBBER,SEAL D",,1,,,,,,,,,,,,,,,,,,,,,  
25,1,,172458-64441,, "GRILLE (GRAY:73)",,1,,,,,,,,,,,,,,,,,,,,,  
29,1,,172458-64510,, "COVER,SEAT MOUNT(73)",,1,,,,,,,,,,,,,,,,,,,,,  
30,1,,172458-64590,, "PLUG 28X3.2",,1,,,,,,,,,,,,,,,,,,,,,  
31,1,,172458-64600,, "CLIP 11",,1,,,,,,,,,,,,,,,,,,,,,  
32,1,,172458-64700,, "PIPE (GRAY:73)",,1,,,,,,,,,,,,,,,,,,,,,  
33,2,,172445-62010,, "RUBBER 45, EDGE",,2,,,,,,,,,,,,,,,,,,,,,  
35,1,,22137-100000,, "WASHER 10,POLISHED",,3,,,,,,,,,,,,,,,,,,,,,  
36,1,,22137-120000,, "WASHER 12,POLISHED",,4,,,,,,,,,,,,,,,,,,,,,  
37,1,,22137-120000,, "WASHER 12,POLISHED",,2,,,,,,,,,,,,,,,,,,,,,  
38,1,,22217-080000,, "SPRING WASHER 8",,4,,,,,,,,,,,,,,,,,,,,,  
39,1,,22217-080000,, "SPRING WASHER 8",,2,,,,,,,,,,,,,,,,,,,,,  
40,1,,26013-100202,, "BOLT W/WASHER M10X20",,4,,,,,,,,,,,,,,,,,,,,,  
41,1,,26013-100202,, "BOLT W/WASHER M10X20",,5,,,,,,,,,,,,,,,,,,,,,  
42,1,,26013-100252,, "BOLT W/WASHER M10X25",,3,,,,,,,,,,,,,,,,,,,,,  
43,1,,26013-120302,, "BOLT W/WASHER M12X30",,4,,,,,,,,,,,,,,,,,,,,,  
44,1,,26013-120252,, "BOLT M12X 25",,2,,,,,,,,,,,,,,,,,,,,,  
45,1,,26116-080162,, "BOLT 8X16",,2,,,,,,,,,,,,,,,,,,,,,  
46,1,,26716-080002,, "NUT M 8",,4,,,,,,,,,,,,,,,,,,,,,  
47,1,,172122-55061,, "BRACKET, GREASE PUMP",,2,,,,,,,,,,,,,,,,,,,,,  
48,1,,22137-100000,, "WASHER 10,POLISHED",,1,,,,,,,,,,,,,,,,,,,,,  
49,1,,26013-060102,, "BOLT M 6X 10",,4,,,,,,,,,,,,,,,,,,,,,

1,1,,172165-13220,,WASHER,13,,13,,,,,,,,,,,,,,,,,,,,,  
2,1,,172312-17250,,ASHTRAY,1,,1,,,,,,,,,,,,,,,,,,,,,  
3,1,,172458-63360,,SEAT,1,,1,,,,,,,,,,,,,,,,,,,,,  
4,1,,172458-63480,,SEAL,1,,1,,,,,,,,,,,,,,,,,,,,,  
5,1,,172458-67800,,,"CABIN (GREEN:83)",1,,,,,,,,,,,,,  
5-1,1,,172458-67801,,,"CABIN  
(GREEN:83)",1,,,,,S,1,72458368,M/#20904,,,,,  
5-2,1,,172458-67802,,,"CABIN  
ASSY(GREEN:83)",1,1,,,,,N,,72458507,M/#22680,,,,,  
6,2,,172459-67800,,,"CABIN BODY ASSY (83)",1,,,,,,,,,,,,,  
7,3,,172458-03310,,LABEL,1,,1,,,,,,,,,,,,,,,,,,,,,  
8,3,,172458-03320,,LABEL,1,,1,,,,,,,,,,,,,,,,,,,,,  
9,3,,172458-03330,,LABEL,1,,1,,,,,,,,,,,,,,,,,,,,,  
10,3,,1E5100-51430,,,"KNOB CLUTCH(RED",1,1,,,,,,,,,,,,,  
11,3,,172519-63240,,,"BOLT 8X 16",6,,6,,,,,,,,,,,,,  
12,3,,172455-67310,,,"GLASS RUN",2,,2,,,,,,,,,,,,,  
13,3,,172455-67320,,CAP;CHANNEL,2,,2,,,,,,,,,,,,,  
14,3,,172455-67330,,,"PLATE ASSY LOW GLASS",2,,2,,,,,,,,,,,,,  
15,3,,172455-67340,,,"HOLDER GLASS UP",2,,2,,,,,,,,,,,,,  
16,3,,172455-67350,,SCREW(TORX),4,,4,,,,,,,,,,,,,  
17,3,,172455-67360,,SCREW(TORX),2,,2,,,,,,,,,,,,,  
18,3,,172455-67440,,,"XMAS TREE CLIP",4,,4,,,,,,,,,,,,,  
19,3,,172458-67840,,,"GLASS RUN",1,1,,,,,,,,,,,,,  
20,3,,172458-67960,,,"SEAL A",1,1,,,,,,,,,,,,,  
21,3,,172458-67970,,,"SEAL B",1,1,,,,,,,,,,,,,  
22,3,,172458-67980,,SEAL,1,1,,,,,,,,,,,,,  
23,3,,26716-100002,,,"NUT 10",1,1,,,,,,,,,,,,,  
24,3,,172162-69050,,,"LOCK ASSY",1,1,,,,,,,,,,,,,  
25,3,,172165-69190,,RUBBER,1,1,,,,,,,,,,,,,  
26,3,,172458-69790,,COVER,1,1,,,,,,,,,,,,,  
27,3,,172458-69830,,LEVER,1,1,,,,,,,,,,,,,  
28,3,,172458-69930,,SEAL,1,1,,,,,,,,,,,,,  
29,3,,22117-100000,,,"WASHER 10",1,1,,,,,,,,,,,,,  
30,3,,22117-120000,,,"WASHER 12",2,2,,,,,,,,,,,,,  
31,3,,22272-000100,,,"CIRCLIP E-10",1,1,,,,,,,,,,,,,  
32,3,,24550-012200,,,"BUSH 12X20",1,1,,,,,,,,,,,,,  
33,3,,26366-080002,,,"NUT M 8",4,4,,,,,,,,,,,,,  
34,1,,22217-120000,,,"SPRING WASHER 12",13,13,,,,,,,,,,,,,  
35,1,,22867-400100,,,"SCREW 4X10",3,3,,,,,,,,,,,,,  
36,1,,26076-120402,,,"BOLT 10.9 12X 4",13,13,,,,,,,,,,,,,  
37,1,,172458-63580,,,"SPACER (GRAY:73)",1,1,,,,,,,,,,,,,  
38,1,,172478-68600,,,"DAM SEAL  
1000",1,1,,,,,W,2,724780192,M/#XXX,,,,,I  
39,1,,172478-68610,,,"DAM SEAL  
2000",1,1,,,,,W,2,724780192,M/#XXX,,,,,I  
40,1,,172478-68620,,,"DAM SEAL  
3000",1,1,,,,,W,2,724780192,M/#XXX,,,,,I

1,3,,172459-67840,, "DOOR,REAR",1,,,,,,,,,,,,,  
1-1,3,,172459-67841,, "DOOR ASSY,  
REAR",1,1,,,S,,72458507,M/#22680,,,,,,,,,72458507,,I  
2,4,,172458-69590,, "RUBBER, FRAME B ASSY",1,1,,,,,,,,,,,,,  
3,4,,172458-69600,, "FRAME ASSY,DOOR REAR",1,,,,,,,,,,,,,  
3-1,2,,172458-69601,, "FRAME,DOOR REAR  
(12)",1,1,,,S,,72458507,M/#22680,,,,,,,,,I  
4,4,,172458-69920,, "GLASS R, DOOR",1,1,,,,,,,,,,,,,  
5,3,,172519-63240,, "BOLT 8X 16",2,2,,,,,,,,,,,,,  
6,3,,172455-69140,, "NUT,12,,12,,,,,,,,,,,,,  
7,3,,172455-69200,, "TUBE,12,,12,,,,,,,,,,,,,  
8,3,,172455-69250,, "PIPE,12,,12,,,,,,,,,,,,,  
9,3,,172455-69290,, "PACKING,4,,4,,,,,,,,,,,,,  
10,3,,172458-69730,, "PLATE,1,,1,,,,,,,,,,,,,  
11,3,,172458-69760,, "GUIDE, STOPPER",1,1,,,,,,,,,,,,,  
12,3,,172458-69770,, "HINGE,2,,2,,,,,,,,,,,,,  
13,3,,172458-69960,, "GASKET,8,,8,,,,,,,,,,,,,  
14,3,,172458-69990,, "COVER,HINGE",2,2,,,,,,,,,,,,,  
15,3,,22137-080000,, "WASHER 8, POLISHED",2,2,,,,,,,,,,,,,  
16,3,,22372-080000,, "SNAP PIN (JASO 8)",2,,,,,,,,,,,,,  
16-1,3,,22417-200160,, "COTTER PIN 2.0X16",2,2,,,N,,72458486,M/#22430,,,,,,,,,  
17,2,,172458-66780,, "UPPER PLATE,DOOR  
REA",1,1,,,W,,72458507,M/#22680,,,,,,,,,I  
18,2,,172458-66790,, "LOWER PLATE,DOOR  
REA",1,1,,,W,,72458507,M/#22680,,,,,,,,,I  
19,2,,172458-66800,, "TORQUES 6X16",4,4,,,W,,72458507,M/#22680,,,,,,,,,I  
20,2,,172458-66800,, "TORQUES 6X16",3,3,,,W,,72458507,M/#22680,,,,,,,,,I

67,3,,24315-000110,, "O-RING 1B P-11.0",1,1,1,1,,,,,,,,,,,,,  
68,3,,24315-000120,, "O-RING 1B P-12.0",3,3,3,3,,,,,,,,,,,,,  
69,3,,24325-000550,, "O-RING 1B G-55.0",1,1,1,1,,,,,,,,,,,,,  
70,2,,22212-080000,, "WASHER 8",3,3,3,3,,,,,,,,,,,,,  
71,2,,22252-000250,, "CIRCLIP 25",1,1,1,1,,,,,,,,,,,,,I  
72,2,,22252-000520,, "CIRCLIP 52",1,1,1,1,,,,,,,,,,,,,I  
73,2,,22351-060016,, "SPRING PIN 6X16",1,1,1,1,,,,,,,,,,,,,I  
74,2,,26711-080002,, "NUT M 8",1,1,1,1,,,,,,,,,,,,,I  
75,1,,26013-120352,, "BOLT M12X 35",2,2,2,2,,,,,,,,,,,,,

1,1,,172458-72500,, "CYLINDER, BUCKET (97)",1,1,,,,,,,,,,,,,  
2,2,,172458-72030,, "SEAL SET 65X40, HEAD",1,1,,,,,,,,,,,,,  
8,2,,172141-72250,, "U-NUT M27",1,1,,,,,,,,,,,,,  
9,2,,172142-72510,, "HEAD 65 40 W/BUSH",1,1,,,,,,,,,,,,,  
11,3,,933135-14600,, "BUSH 40 30, ROD",1,1,,,,,,,,,,,,,  
11-1,3,,24550-040300,, "BUSH  
40X30",1,1,,,,,R,,A1686116,M/#22439,A1686116,M/#22439,,,,,,I  
12,2,,172458-72510,, "TUBE, BUCKET(GREEN:97)",1,1,,,,,,,,,,,,,  
13,3,,172168-72240,, "BUSH 38X50X40",1,1,,,,,,,,,,,,,  
14,3,,172168-81270,, "SEAL, DUST 38X50X4",2,2,,,,,,,,,,,,,  
15,2,,172142-72560,, "WASHER 65, LOCK",1,1,,,,,,,,,,,,,  
16,2,,172458-72570,, "ROD, BUCKET",1,1,,,,,,,,,,,,,  
17,3,,172168-72240,, "BUSH 38X50X40",1,1,,,,,,,,,,,,,  
18,3,,172168-81270,, "SEAL, DUST 38X50X4",2,2,,,,,,,,,,,,,  
19,2,,172148-72790,, "PISTON 65",1,1,,,,,,,,,,,,,  
19-1,2,,172148-72791,, "PISTON 65  
27",1,1,,,,,S,1,72458500,M/#22680,72458500,M/#22680,,,,,,I  
20,2,,172148-72940,, "SEAL SET, PISTON",1,1,,,,,,,,,,,,,  
20-1,2,,172148-72941,, "PISTON SEAL  
SET, BUCK",1,1,,,,,S,1,72458500,M/#22680,72458500,M/#22680,72458500,M/#22680,7245  
8500,M/#22680,,,,,I  
23,2,,24761-040000,, "NIPPLE B, GREASE",2,2,,,,,,,,,,,,,

1,1,,172458-73700,, "MOTOR,TRAVEL (88)",2,2,2,2,,,,,,,,,,,,,  
2,2,,172450-73620,, "CYLINDER BLOCK KIT",2,2,2,2,,,,,,,,,,,,,  
12,2,,172168-71950,, "SPRING,4,4,4,4",,,,,,,,,,,,,,  
13,2,,172450-73320,, "REDUCTION GEAR",2,2,2,2,,,,,,,,,,,,,  
15,3,,172141-70030,, "BEARING, ANGULAR",2,2,2,2,,,,,,,,,,,,,  
16,3,,172141-70040,, "NUT, RING",2,2,2,2,,,,,,,,,,,,,  
17,3,,172141-70100,, "PLATE, THRUST",2,2,2,2,,,,,,,,,,,,,  
18,3,,172141-70110,, "SCREW,8,8,8,8",,,,,,,,,,,,,,  
19,3,,172141-70230,, "WIRE,2,2,2,2",,,,,,,,,,,,,,  
20,3,,172148-70301,, "PLUG,4,4,4,4",,,,,,,,,,,,,,  
21,3,,172122-70350,, "BALL,132,132,132,132",,,,,,,,,,,,,,  
22,3,,172122-70350,, "BALL,132,132,132,132",,,,,,,,,,,,,,  
23,3,,172450-73330,, "PLUG,4,4,4,4",,,,,,,,,,,,,,  
24,3,,172450-73350,, "PLANETARY, GEAR B",8,8,8,8,,,,,,,,,,,,,  
25,3,,172450-73360,, "NEEDLE BEARING",8,8,8,8,,,,,,,,,,,,,  
26,3,,172450-73370,, "INNER RACE",8,8,8,8,,,,,,,,,,,,,  
27,3,,172450-73380,, "WASHER,THRUST",8,8,8,8,,,,,,,,,,,,,  
28,3,,172450-73390,, "SUN GEAR",2,2,2,2,,,,,,,,,,,,,  
29,3,,172450-73400,, "HOLDER,2,2,2,2",,,,,,,,,,,,,,  
30,3,,172450-73410,, "PLANETARY, GEAR A",6,6,6,6,,,,,,,,,,,,,  
31,3,,172450-73420,, "NEEDLE BEARING",6,6,6,6,,,,,,,,,,,,,  
32,3,,172122-73430,, "PLUG,4,4,4,4",,,,,,,,,,,,,,  
33,3,,172450-73430,, "INNER RACE",6,6,6,6,,,,,,,,,,,,,  
34,3,,172450-73440,, "GEAR, DRIVE",2,2,2,2,,,,,,,,,,,,,  
35,3,,172450-73450,, "PLATE,THRUST",2,2,2,2,,,,,,,,,,,,,  
36,3,,172450-73460,, "PLATE,THRUST",2,2,2,2,,,,,,,,,,,,,  
37,3,,172450-73470,, "PLATE,THRUST",2,2,2,2,,,,,,,,,,,,,  
38,3,,172450-73480,, "PLATE,2,2,2,2",,,,,,,,,,,,,,  
39,3,,22242-000350,, "CIRCLIP 35",2,2,2,2,,,,,,,,,,,,,  
42,2,,172638-73330,, "PLATE,2,2,2,2",,,,,,,,,,,,,,  
44,2,,172450-73500,, "PLATE,SWASH",2,2,2,2,,,,,,,,,,,,,  
45,2,,172450-73510,, "BALL,STEEL",4,4,4,4,,,,,,,,,,,,,  
46,2,,172450-73550,, "PISTON ASSY",4,4,4,4,,,,,,,,,,,,,  
47,2,,172183-73670,, "SHAFT,2,2,2,2",,,,,,,,,,,,,,  
48,2,,24101-060024,, "BALL BEARING",2,2,2,2,,,,,,,,,,,,,  
49,2,,24101-060044,, "BALL BEARING #6004",2,2,2,2,,,,,,,,,,,,,  
52,2,,1A6240-37360,, "PLUG,4,4,4,4",,,,,,,,,,,,,,  
53,2,,172147-70220,, "PLUG,4,4,4,4",,,,,,,,,,,,,,  
54,2,,172148-70340,, "ORIFICE,8,8,8,8",,,,,,,,,,,,,,  
55,2,,172122-70410,, "PIN,4,4,4,4",,,,,,,,,,,,,,  
56,2,,172122-70460,, "SPRING SEAT",4,4,4,4,,,,,,,,,,,,,  
57,2,,172147-70500,, "PLUG,2,2,2,2",,,,,,,,,,,,,,  
58,2,,172122-70540,, "BOLT, SOCKET",12,12,12,12,,,,,,,,,,,,,  
59,2,,172162-70780,, "PLUG,2,2,2,2",,,,,,,,,,,,,,  
60,2,,172458-73730,, "BASE PLATE",2,2,2,2,,,,,,,,,,,,,  
64,4,,172122-70430,, "VALVE, CHECK",4,4,4,4,,,,,,,,,,,,,  
65,4,,172122-70440,, "SPRING,4,4,4,4",,,,,,,,,,,,,,  
66,4,,172422-73340,, "PLUG,4,4,4,4",,,,,,,,,,,,,,  
67,4,,172458-73760,, "SPOOL,2,2,2,2",,,,,,,,,,,,,,  
69,2,,172422-73360,, "SPRING,2,2,2,2",,,,,,,,,,,,,,  
70,2,,172122-73470,, "PIN,2,2,2,2",,,,,,,,,,,,,,  
71,2,,172452-73480,, "PLUG,4,4,4,4",,,,,,,,,,,,,,  
72,2,,172183-73770,, "PLUG,4,4,4,4",,,,,,,,,,,,,,  
73,2,,172458-73770,, "SPRING,4,4,4,4",,,,,,,,,,,,,,  
74,2,,172458-73780,, "CAP, STEERING WHEEL",4,4,4,4,,,,,,,,,,,,,  
75,2,,172458-73830,, "PLUG,2,2,2,2",,,,,,,,,,,,,,I  
76,2,,172312-74790,, "ORIFICE,8,8,8,8",,,,,,,,,,,,,,  
79,2,,24315-000140,, "O-RING 1B P-14.0",4,4,4,4,,,,,,,,,,,,,I  
81,2,,172460-73580,, "VALVE,2,2,2,2",,,,,,,,,,,,,,  
82,3,,172460-73520,, "HEAD BOLT",6,6,6,6,,,,,,,,,,,,,  
85,1,,172458-73720,, "SEAL KIT",2,2,2,2,,,,,,,,,,,,,  
99,1,,26013-120302,, "BOLT W/WASHER M12X30",18,18,18,18,,,,,,,,,,,,,

1,2,,172458-74720,, "PACKING G 4",2,2,2,2,,,,,,,,,,,,,  
2,2,,172458-74440,, "SECTION,DRIVE",1,1,1,1,,,,,,,,,,,,,  
3,3,,172458-74130,, "DUST WIPER",1,1,1,1,,,,,,,,,,,,,  
4,3,,172458-74140,, "BRACKET, OIL SEAL",1,1,1,1,,,,,,,,,,,,,I  
5,3,,172458-74170,, "CAP,SPRING",1,1,1,1,,,,,,,,,,,,,I  
6,3,,172458-74290,, "CHECK VALVE",1,1,1,1,,,,,,,,,,,,,I  
7,3,,172458-74360,, "SPRING, CHECK VALVE",1,1,1,1,,,,,,,,,,,,,I  
9,3,,172458-74460,, "PLUG GPM1/32",2,2,2,2,,,,,,,,,,,,,I  
10,3,,172458-74640,, "STAY, CHECK VALVE",1,1,1,1,,,,,,,,,,,,,I  
11,3,,24311-000120,, "O-RING 1A P 12.0",1,1,1,1,,,,,,,,,,,,,  
12,3,,24315-000110,, "O-RING 1B P-11.0",1,1,1,1,,,,,,,,,,,,,  
13,3,,26450-050102,, "BOLT M 5X 10",2,2,2,2,,,,,,,,,,,,,I  
14,3,,26450-050182,, "BOLT 5\* 18",2,2,2,2,,,,,,,,,,,,,I  
15,2,,172458-74820,, "PART,SUPPLY",1,1,1,1,,,,,,,,,,,,,  
16,3,,172458-74520,, "INLET SEC. ASSY",1,1,1,1,,,,,,,,,,,,,  
17,4,,172458-74230,, "PACKING S 22",2,2,2,2,,,,,,,,,,,,,  
18,4,,172458-74240,, "COVER B1, PILOT",1,1,1,1,,,,,,,,,,,,,I  
19,4,,172458-74260,, "SWP HEX.BOLT 5X20",4,4,4,4,,,,,,,,,,,,,I  
20,4,,172458-74530,, "SEAT, SPRING",1,1,1,1,,,,,,,,,,,,,I  
21,4,,172458-74540,, "SPRING,RETURN",1,1,1,1,,,,,,,,,,,,,I  
22,4,,172458-74550,, "COVER A2, PILOT",1,1,1,1,,,,,,,,,,,,,I  
23,3,,172458-74680,, "RELIEF 210/30",2,2,2,2,,,,,,,,,,,,,  
24,2,,24311-000060,, "O-RING 1A P-6.0",1,1,1,1,,,,,,,,,,,,,  
25,2,,24311-000180,, "O-RING 1A P-18.0",1,1,1,1,,,,,,,,,,,,,

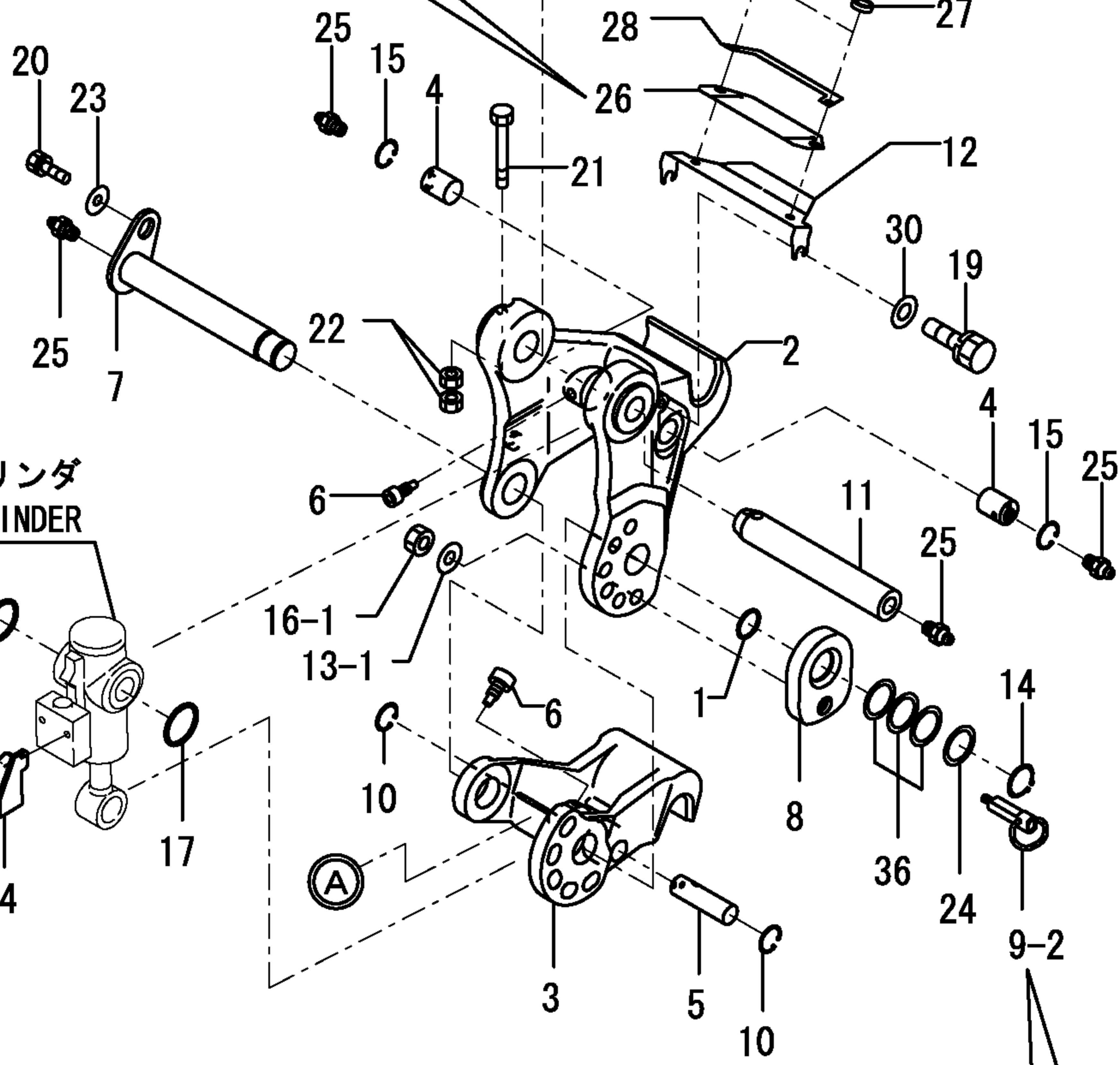
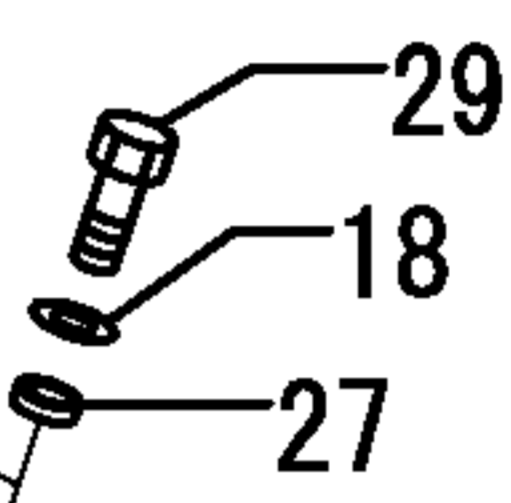
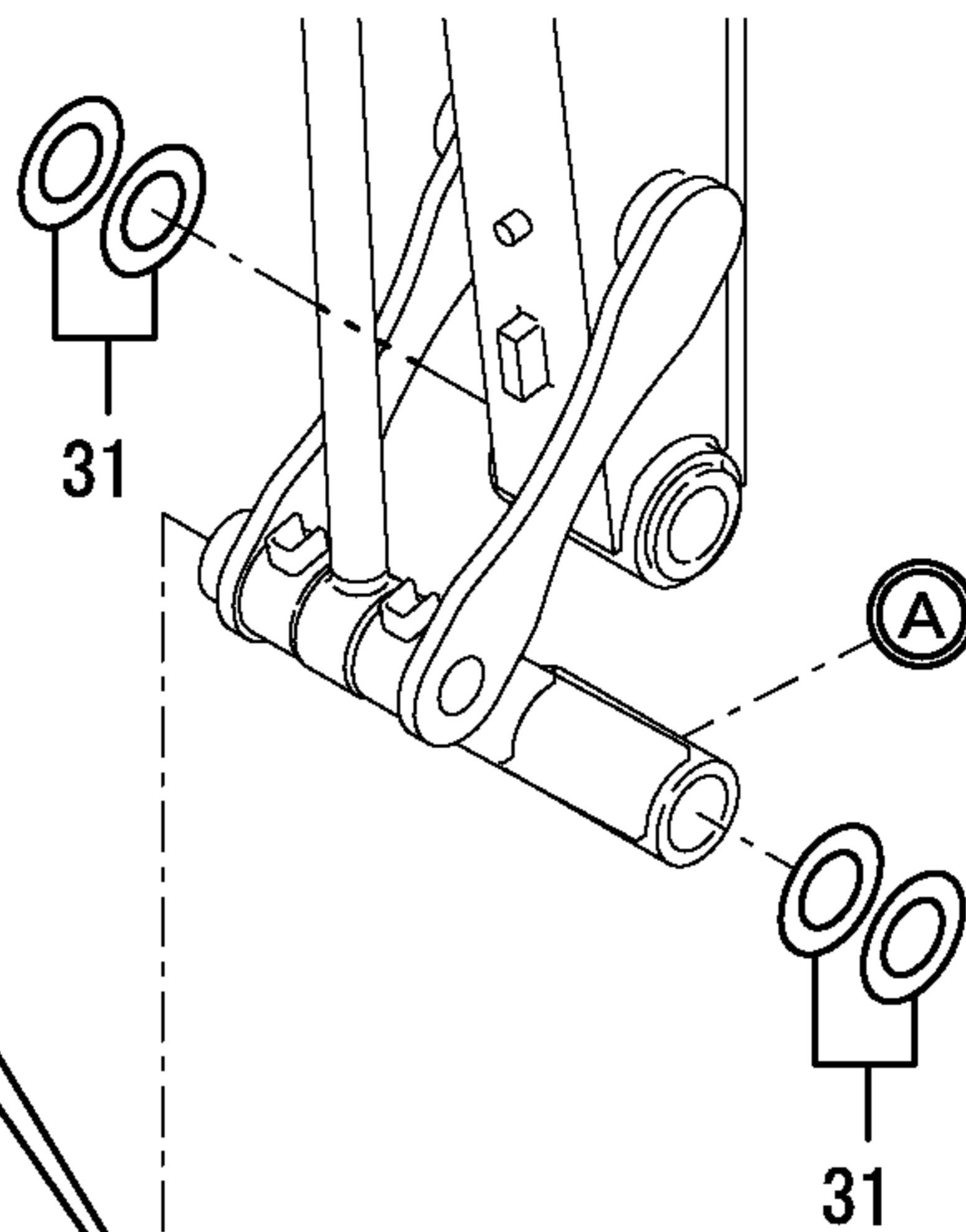
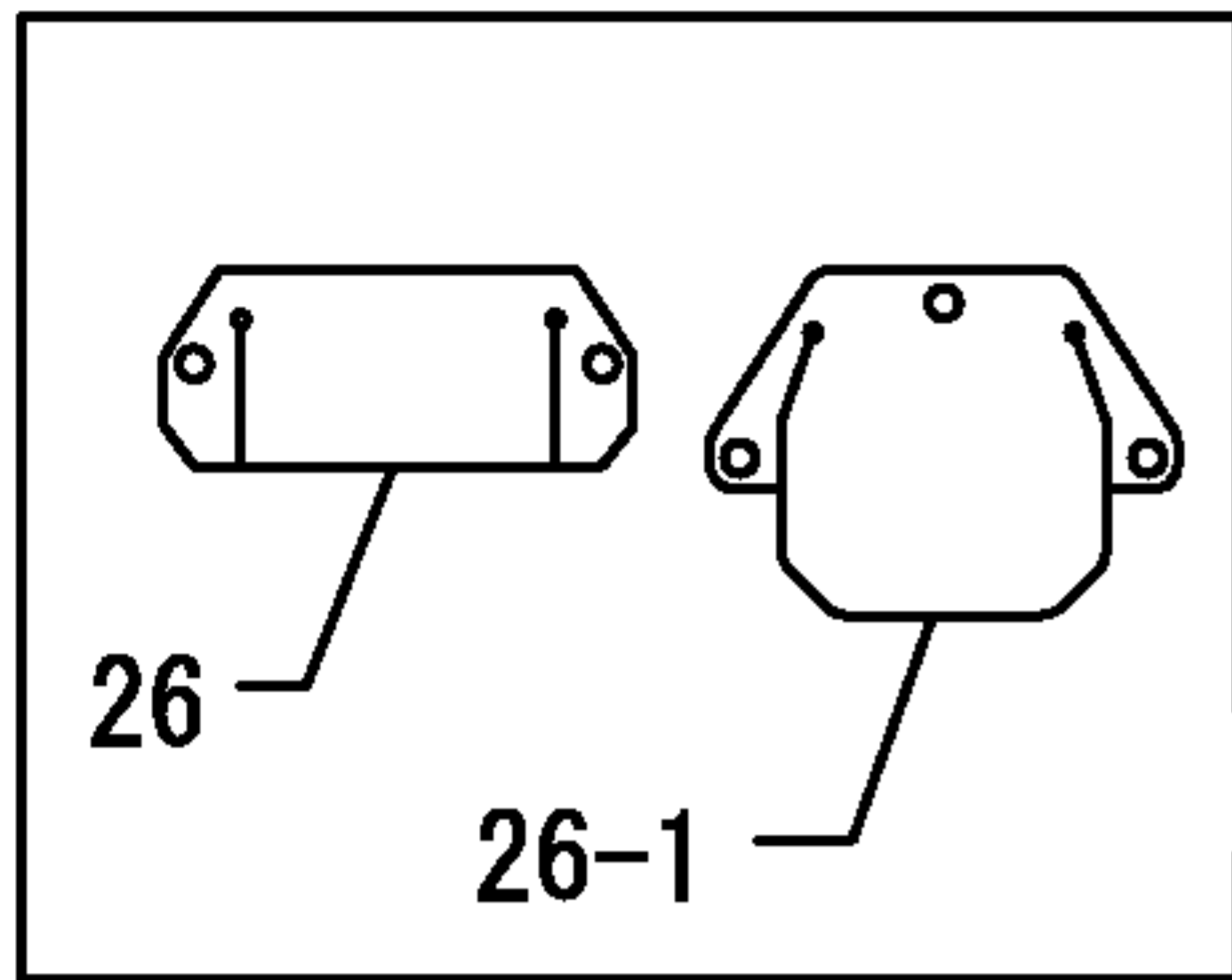
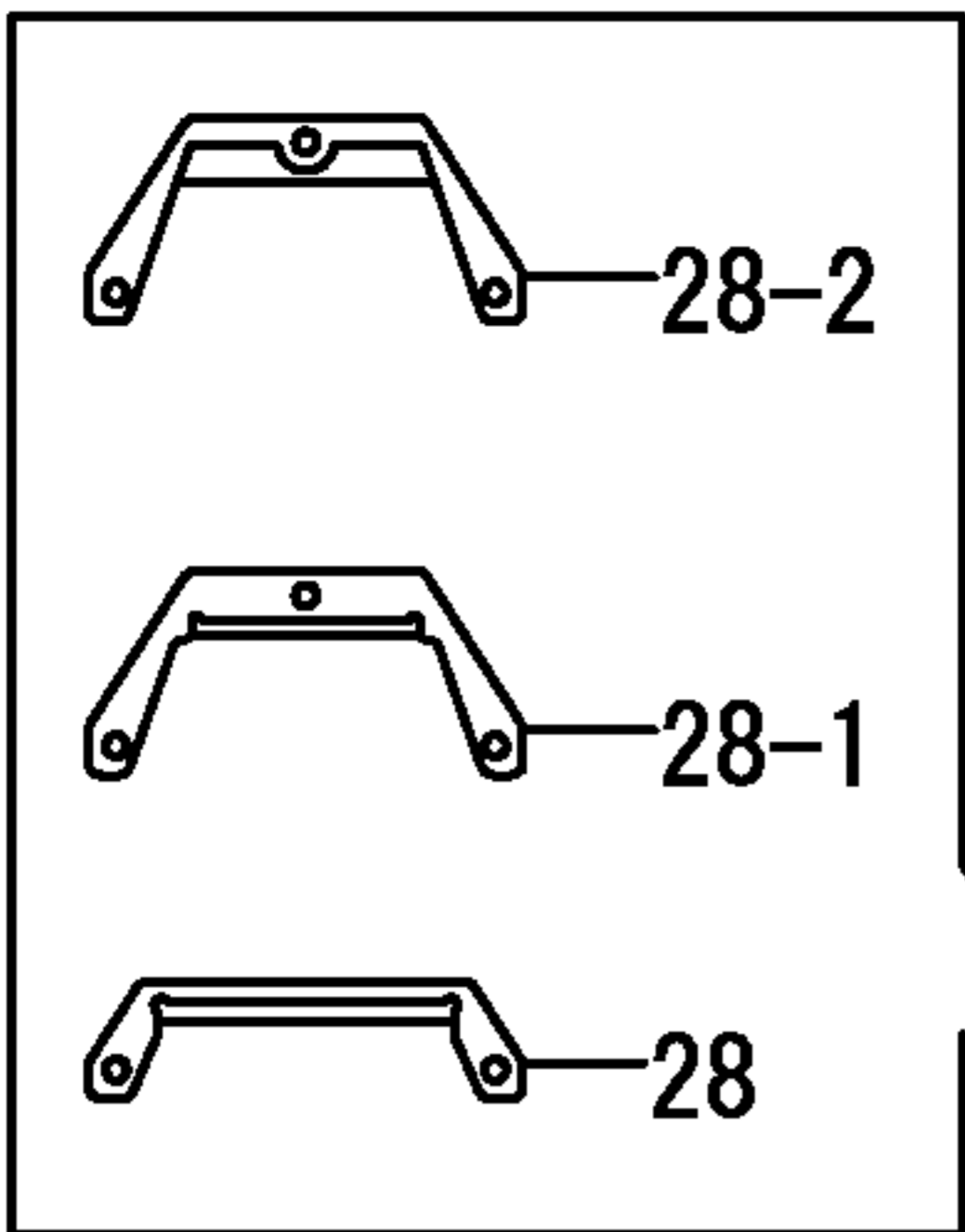
1,1,,1C6141-35370,, "SPRING, LOCK",1,1,1,1,,,,,,,,,,,,,  
2,1,,172458-74470,, SHAFT,1,1,1,1,,,,,,,,,,,,,  
3,1,,172458-74480,, SLEEVE,1,1,1,1,,,,,,,,,,,,,  
4,1,,172458-74490,, "LEVER KNOB BL",1,1,1,1,,,,,,,,,,,,,  
5,1,,172458-74500,, "REMO-CON.VALVE M2",1,1,1,1,,,,,,,,,,,,,  
6,2,,172455-74240,, SPRING,4,4,4,4,,,,,,,,,,,,,I  
7,2,,172455-74710,, BELLOWS,1,1,1,1,,,,,,,,,,,,,  
8,2,,172448-74720,, "SPOOL SLEEVE SUB",1,1,1,1,,,,,,,,,,,,,I  
12,3,,22351-050010,, "SPRING PIN 5X10",1,1,1,1,,,,,,,,,,,,,I  
13,2,,172448-74760,, PLATE,1,1,1,1,,,,,,,,,,,,,I  
14,2,,172448-74770,, PLUG,4,4,4,4,,,,,,,,,,,,,I  
15,2,,172448-74780,, "ROD Q,PUSH",4,4,4,4,,,,,,,,,,,,,I  
16,2,,172448-74790,, SEAL,4,4,4,4,,,,,,,,,,,,,I  
17,2,,172448-74810,, "PLATE, PORT",1,1,1,1,,,,,,,,,,,,,I  
18,2,,172448-74820,, PACKING,2,2,2,2,,,,,,,,,,,,,I  
19,2,,172448-74830,, ORING,1,1,1,1,,,,,,,,,,,,,I  
20,2,,172448-74860,, ORING,2,2,2,2,,,,,,,,,,,,,I  
21,2,,172448-74870,, ORING,1,1,1,1,,,,,,,,,,,,,I  
22,2,,172448-74880,, ORING,1,1,1,1,,,,,,,,,,,,,I  
23,2,,172448-74910,, "SEAT, SPRING",4,4,4,4,,,,,,,,,,,,,I  
24,2,,172448-74920,, WASHER,4,4,4,4,,,,,,,,,,,,,I  
25,2,,172448-74930,, SPRING,4,4,4,4,,,,,,,,,,,,,I  
26,2,,172448-74950,, "JOINT ASSY",1,1,1,1,,,,,,,,,,,,,I  
27,2,,172448-74960,, "PLATE, CIRCLE",1,1,1,1,,,,,,,,,,,,,I  
28,2,,172448-74970,, "NUT, ADJUST",1,1,1,1,,,,,,,,,,,,,I  
29,2,,172448-74980,, ORING,1,1,1,1,,,,,,,,,,,,,I  
30,2,,172448-74990,, DISTANZBUCHSE,1,1,1,1,,,,,,,,,,,,,I  
31,2,,24315-000200,, "O-RING 1B P-20.0",4,4,4,4,,,,,,,,,,,,,I  
32,2,,26450-080652,, "BOLT M 8X 65",2,2,2,2,,,,,,,,,,,,,I  
33,1,,26712-080002,, "NUT M 8",1,1,1,1,,,,,,,,,,,,,  
34,1,,172458-03550,, LABEL,1,1,1,1,,,,,,,,,,,,,  
35,1,,172458-03560,, LABEL,1,1,1,1,,,,,,,,,,,,,  
36,1,,172458-03570,, LABEL,1,1,1,1,,,,,,,,,,,,,  
37,1,,172448-74730,, PLUG,1,1,1,1,,,,,1,,,,,,,,,,,,,I

1,1,,172422-76100,,FLANGE,1,1,1,1,,,,,,,,,,,,,  
2,1,,172458-76170,, "CONNECTOR PF3/6PT1/2",1,1,1,1,,,,,,,,,,,,,  
3,1,,172444-76400,,TUBE,1,1,1,1,,,,,,,,,,,,,  
4,1,,172645-76570,, "CONNECTOR 3/8X1/2",1,1,1,1,,,,,,,,,,,,,  
5,2,,24315-000140,, "O-RING 1B P-14.0",1,1,1,1,,,,,,,,,,,,,  
6,1,,172645-76570,, "CONNECTOR 3/8X1/2",2,2,2,2,,,,,,,,,,,,,  
7,2,,24315-000140,, "O-RING 1B P-14.0",2,2,2,2,,,,,,,,,,,,,  
8,1,,172141-76900,, "CONNECTOR 1/2L",2,2,2,2,,,,,,,,,,,,,  
9,2,,24315-000180,, "O-RING 1B P-18.0",2,2,2,2,,,,,,,,,,,,,  
10,1,,22117-100000,, "WASHER 10",4,4,4,4,,,,,,,,,,,,,  
11,1,,24315-000140,, "O-RING 1B P-14.0",1,1,1,1,,,,,,,,,,,,,  
12,1,,24321-000400,, "O-RING 1A G-40.0",1,1,1,1,,,,,,,,,,,,,  
13,1,,26013-100202,, "BOLT W/WASHER M10X20",2,2,2,2,,,,,,,,,,,,,  
14,1,,26013-100302,, "BOLT M10X 30",4,4,4,4,,,,,,,,,,,,,  
15,1,,172458-78091,, "HOSE 39.5 X 52.5",1,1,1,1,,,,,,,,,,,,,  
16,1,,172458-78100,, "HOSE 42.5 X 55.2",1,1,1,1,,,,,,,,,,,,,  
17,1,,172458-78110,, "HOSE H208BZ079S",1,1,1,1,,,,,,,,,,,,,  
18,1,,172458-78120,, "HOSE H208BB076S",1,1,1,1,,,,,,,,,,,,,  
19,1,,172458-78130,, "HOSE H208CZ062S",1,1,1,1,,,,,,,,,,,,,  
20,1,,23000-060000,, "CLAMP 60",8,8,,,,,,,,,,,,,  
20-1,1,,23001-060000,, "CLIP,HOLELESS  
HOSE",8,8,8,8,, ,N,,72446124,M/#22562,72446124,M/#22562,,,,,,,,,

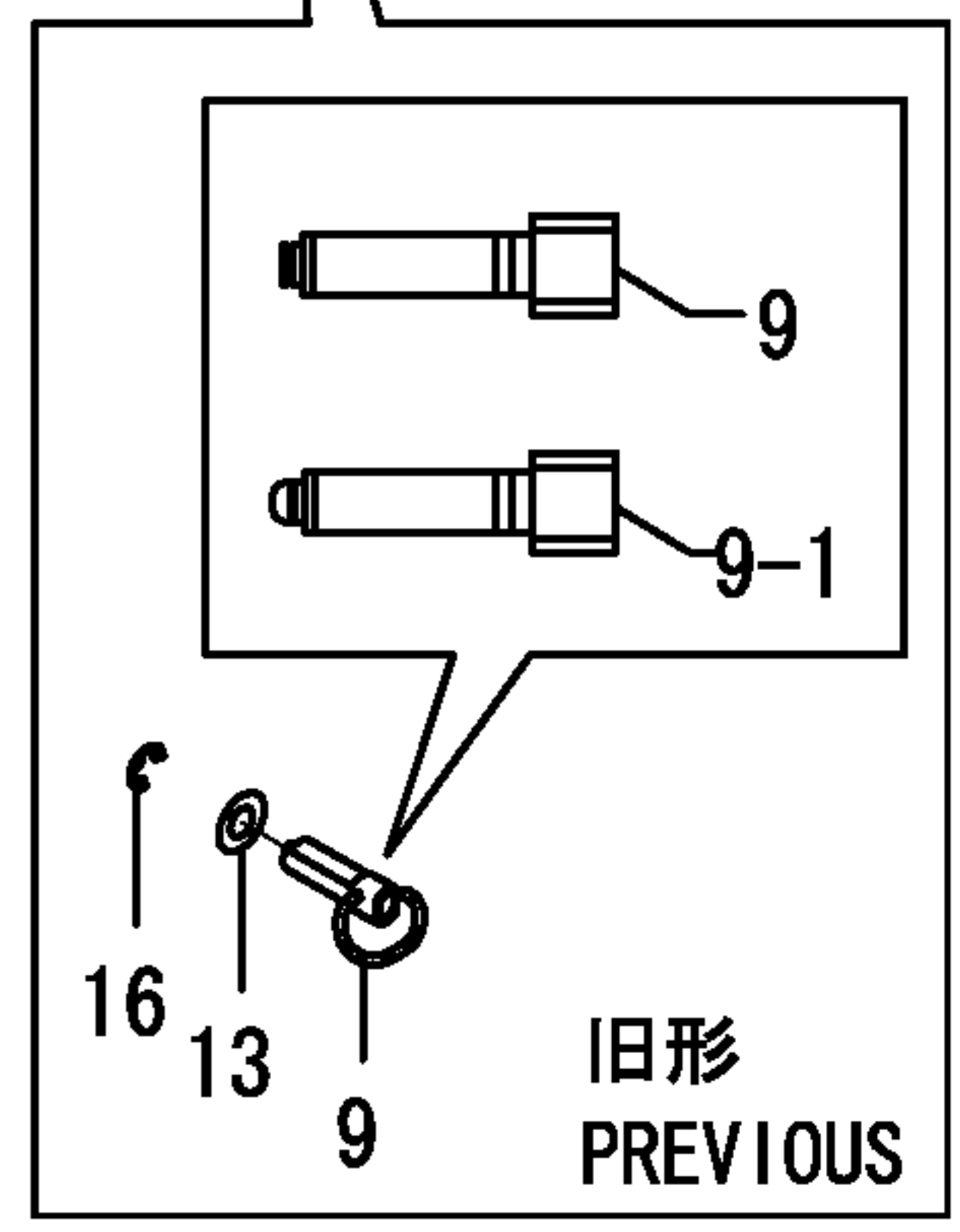
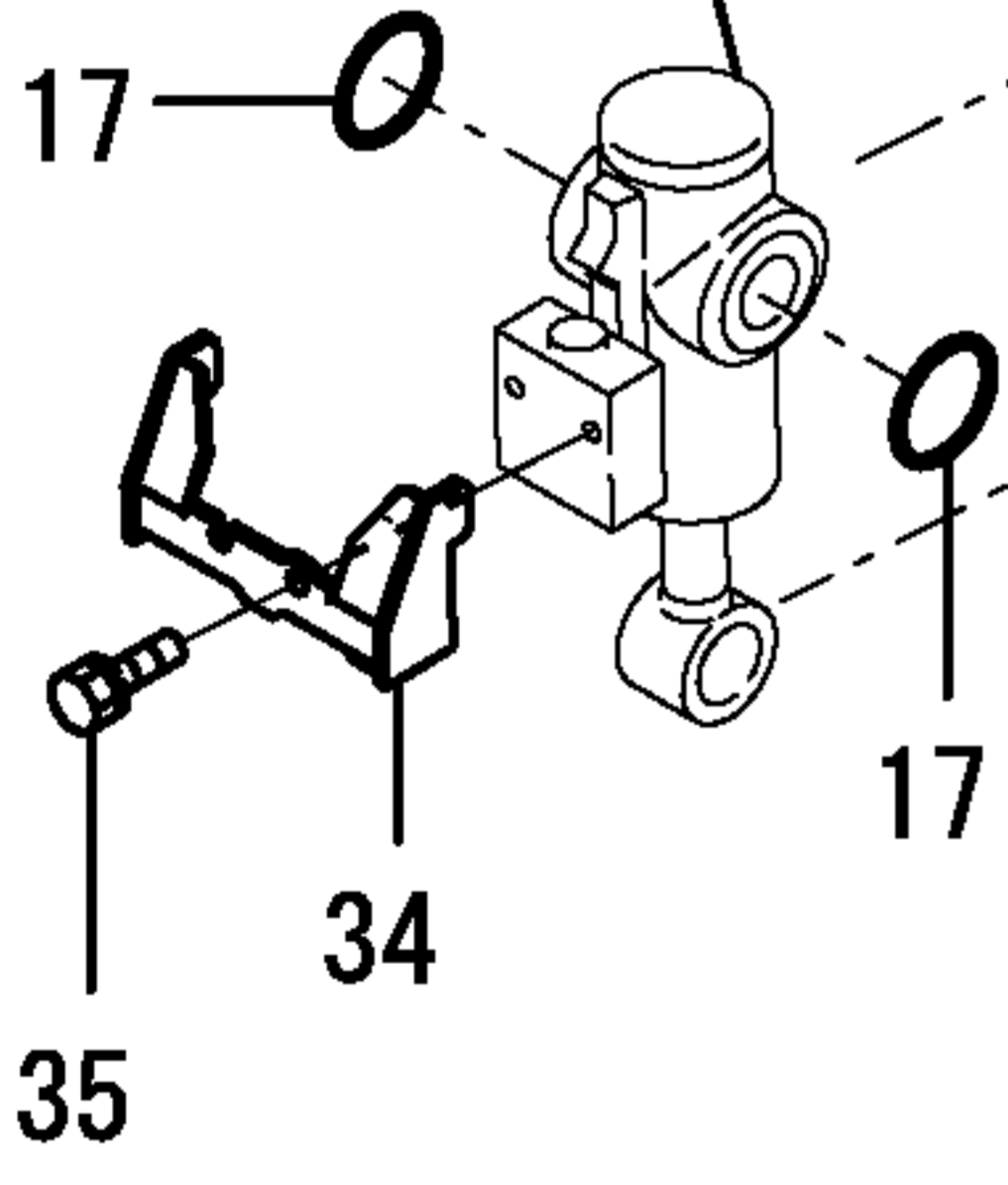
1,1,,172730-75141,,JOINT,2,2,2,2,,,,,,,,,,,,,  
2,1,,24315-000140,,,"O-RING 1B P-14.0",2,2,2,2,,,,,,,,,,,,,  
3,1,,172123-76120,,,"CONNECTOR PF1/4",2,2,2,2,,,,,,,,,,,,,  
4,1,,172644-76161,,,"ADJUST ELBOW 45°",2,2,2,2,,,,,,,,,,,,,  
5,1,,172141-76180,,CONNECTOR,2,2,2,2,,,,,,,,,,,,,  
6,2,,24315-000110,,,"O-RING 1B P-11.0",2,2,2,2,,,,,,,,,,,,,  
7,1,,24315-000110,,,"O-RING 1B P-11.0",2,2,2,2,,,,,,,,,,,,,  
8,1,,24315-000180,,,"O-RING 1B P-18.0",4,4,4,4,,,,,,,,,,,,,  
9,1,,933160-01370,,,"CONNECTOR PF1/2-3/8",4,4,4,4,,,,,,,,,,,,,  
10,1,,172422-78360,,,"HOSE F206BC108W",2,2,,,,,,,,,,,,,  
10-1,1,,172422-78361,,,"HOSE  
F206BC108S",2,2,,,,,N,,72458534,M/#22994,72458534,M/#22994,,,,,,,,,I  
10-2,1,,172422-78362,,,"HOSE  
F206BC108W",2,2,2,2,,,,,N,,24560294,M/#25666,24560294,M/#25666,,,,,,,,,I  
11,1,,172422-78370,,,"HOSE F206BB105W",2,2,,,,,,,,,,,,,  
11-1,1,,172422-78371,,,"HOSE  
F206BB105S",2,2,,,,,N,,72458534,M/#22994,72458534,M/#22994,,,,,,,,,I  
11-2,1,,172422-78372,,,"HOSE  
F206BB105W",2,2,2,2,,,,,N,,24560294,M/#25666,24560294,M/#25666,,,,,,,,,I  
12,1,,172422-78381,,,"HOSE G704BB100W",2,2,,,,,,,,,,,,,  
12-1,1,,172422-78382,,,"HOSE  
G704BB100S",2,2,,,,,N,,72458534,M/#22994,72458534,M/#22994,,,,,,,,,  
12-2,1,,172422-78383,,,"HOSE  
F204BB100W",2,2,2,2,,,,,N,,24560294,M/#25666,24560294,M/#25666,,,,,,,,,  
13,1,,172422-78390,,,"HOSE F204BB068W",2,2,2,2,,,,,,,,,,,,,  
14,1,,172458-78560,,,"HOSE F204BC119W",2,2,,,,,,,,,,,,,  
14-1,1,,172460-78560,,,"HOSE  
F403BC115S",2,2,,,,,N,,72458534,M/#22994,72458534,M/#22994,,,,,,,,,  
14-2,1,,172458-78562,,,"HOSE  
F204BC119W",2,2,2,2,,,,,N,,24560294,M/#25666,24560294,M/#25666,,,,,,,,,  
15,1,,23393-020000,,,"JOINT 90°RG11/4",2,2,2,2,,,,,,,,,,,,,  
16,1,,172173-76101,,,"CONNECTOR PF1/4-45",4,4,4,4,,,,,,,,,,,,,  
17,2,,24315-000110,,,"O-RING 1B P-11.0",4,4,4,4,,,,,,,,,,,,,  
18,1,,172422-  
78760,,GROMMET,2,2,2,2,,,,,Z,,24570048,M/#25501,24570048,M/#25501,,,,,,,,,

1,1,,172123-76121,, "JOINT PF1/4",8,8,8,8,,,,,,,,,,,,,  
2,1,,172141-76180,,CONNECTOR,2,2,2,2,,,,,,,,,,,,,  
3,2,,24315-000110,, "O-RING 1B P-11.0",2,2,2,2,,,,,,,,,,,,,  
4,1,,24315-000110,, "O-RING 1B P-11.0",8,8,8,8,,,,,,,,,,,,,  
5,1,,172458-78330,, "HOSE F403BB162",1,1,1,1,,,,,,,,,,,,,  
6,1,,172458-78340,, "HOSE F403BB120",1,1,1,1,,,,,,,,,,,,,  
7,1,,172458-78350,, "HOSE F403BB120S",1,1,1,1,,,,,,,,,,,,,  
8,1,,172458-78360,, "HOSE F403BB120S",1,1,1,1,,,,,,,,,,,,,  
9,1,,172458-78390,, "HOSE F403BB097S",1,1,1,1,,,,,,,,,,,,,  
10,1,,172458-78400,, "HOSE F403BC127S",1,1,1,1,,,,,,,,,,,,,  
11,1,,172458-78410,, "HOSE F403BB152S",1,1,1,1,,,,,,,,,,,,,  
12,1,,172458-78420,, "HOSE F403BB097S",1,1,1,1,,,,,,,,,,,,,  
13,1,,172458-78570,, "SPONGE,HOSE",1,1,1,1,,,,,,,,,,,,,  
14,1,,172444-78800,, "SPONGE, HOSE",1,1,1,1,,,,,,,,,,,,,  
15,1,,172122-79930,, "CLAMP B",4,4,,,,,M,,,,,,,,,,,,,  
15-1,1,,172126-11510,, "BAND 300",3,3,3,3,,,,,,,,,,,,,I  
16,1,,172123-76121,, "JOINT PF1/4",1,1,1,1,,,,,,,,,,,,,  
17,1,,24315-000110,, "O-RING 1B P-11.0",1,1,1,1,,,,,,,,,,,,,  
18,1,,172164-76121,,ADAPTER,1,1,,,,,M,,,,,,,,,,,,,I  
18-1,1,,172123-76121,, "JOINT PF1/4",1,1,1,1,,,,,,,,,,,,,I  
19,1,,24315-000110,, "O-RING 1B P-11.0",1,1,1,1,,,,,,,,,,,,,  
20,1,,24315-000110,, "O-RING 1B P-11.0",1,1,1,1,,,,,,,,,,,,,  
21,1,,172183-76200,, "CONNECTOR 1/4-1/4",1,1,1,1,,,,,,,,,,,,,  
22,1,,172126-11510,, "BAND 300",4,4,4,4,,,,,M,,,,,,,,,,,,,  
22-1,1,,172122-79930,, "CLAMP B",4,4,4,4,,,,,,,,,,,,,I

1,1,,172173-81700,,SHIM,1,1,,,,,,,,,,,,,  
1-1,1,,172165-82530,,,"SHIM  
50X85X1.2",1,1,1,1,,R,,24580547,M/#25501,24580547,M/#25501,,,,,,,,,I  
2,1,,172175-81700,,,"SHIM 60X110X0.8",1,1,1,1,,,,,,,,,,,,,  
3,1,,172175-81700,,,"SHIM 60X110X0.8",2,2,2,2,,,,,,,,,,,,,  
4,1,,172173-81710,,SHIM,1,1,,,,,,,,,,,,,  
4-1,1,,172165-82520,,,"SHIM  
50X85X0.5",1,1,1,1,,R,,24580547,M/#25501,24580547,M/#25501,,,,,,,,,I  
5,1,,172175-81710,,SHIM,1,1,1,1,,,,,,,,,,,,,  
6,1,,172175-81710,,SHIM,2,2,2,2,,,,,,,,,,,,,  
7,1,,172458-81800,,,"PIN 60X113",2,2,2,2,,,,,,,,,,,,,  
8,1,,172458-81830,,,"PIN 50X136",1,1,1,1,,,,,,,,,,,,,  
9,1,,172458-81920,,,"PIN 40X115",1,1,1,1,,,,,,,,,,,,,  
10,1,,172458-81930,,,"PIN 40X111",1,1,1,1,,,,,,,,,,,,,  
11,1,,172458-82300,,,"BRACKET,BOOM(GREEN97",1,1,1,1,,,,,,,,,,,,,  
12,2,,172142-82310,,,"BUSH 60X50",1,1,1,1,,,,,,,,,,,,,  
14,2,,172458-82320,,,"BUSH 60X50",1,1,1,1,,,,,,,,,,,,,  
15,1,,172458-82330,,,"PIN 60X334.5",1,1,1,1,,,,,,,,,,,,,  
16,1,,172165-82580,,,"SHIM 40X75X0.5",2,2,2,2,,,,,,,,,,,,,  
17,1,,172165-82590,,,"SHIM 40X75X1.2",2,2,2,2,,,,,,,,,,,,,  
18,1,,172165-82600,,,"SHIM 40X75X1.6",2,2,2,2,,,,,,,,,,,,,  
19,1,,172117-83970-2,,,"PLATE(C),LOCK",1,1,1,1,,,,,,,,,,,,,  
20,1,,22157-120000,,,"WASHER 12",2,2,2,2,,,,,,,,,,,,,  
21,1,,22157-120000,,,"WASHER 12",1,1,1,1,,,,,,,,,,,,,  
22,1,,22242-000600,,,"CIRCLIP 60",1,1,1,1,,,,,,,,,,,,,  
23,1,,26013-100202,,,"BOLT W/WASHER M10X20",2,2,2,2,,,,,,,,,,,,,  
24,1,,26013-120302,,,"BOLT W/WASHER M12X30",2,2,2,2,,,,,,,,,,,,,  
25,1,,26013-120302,,,"BOLT W/WASHER M12X30",1,1,1,1,,,,,,,,,,,,,  
26,1,,26206-141502,,,"BOLT M14X150 PLATED",1,1,1,1,,,,,,,,,,,,,  
27,1,,26116-121402,,,"BOLT M12X140 PLATED",1,1,1,1,,,,,,,,,,,,,  
28,1,,26716-140002,,,"NUT M14",2,2,2,2,,,,,,,,,,,,,  
29,1,,26716-120002,,,"NUT 12",2,2,2,2,,,,,,,,,,,,,

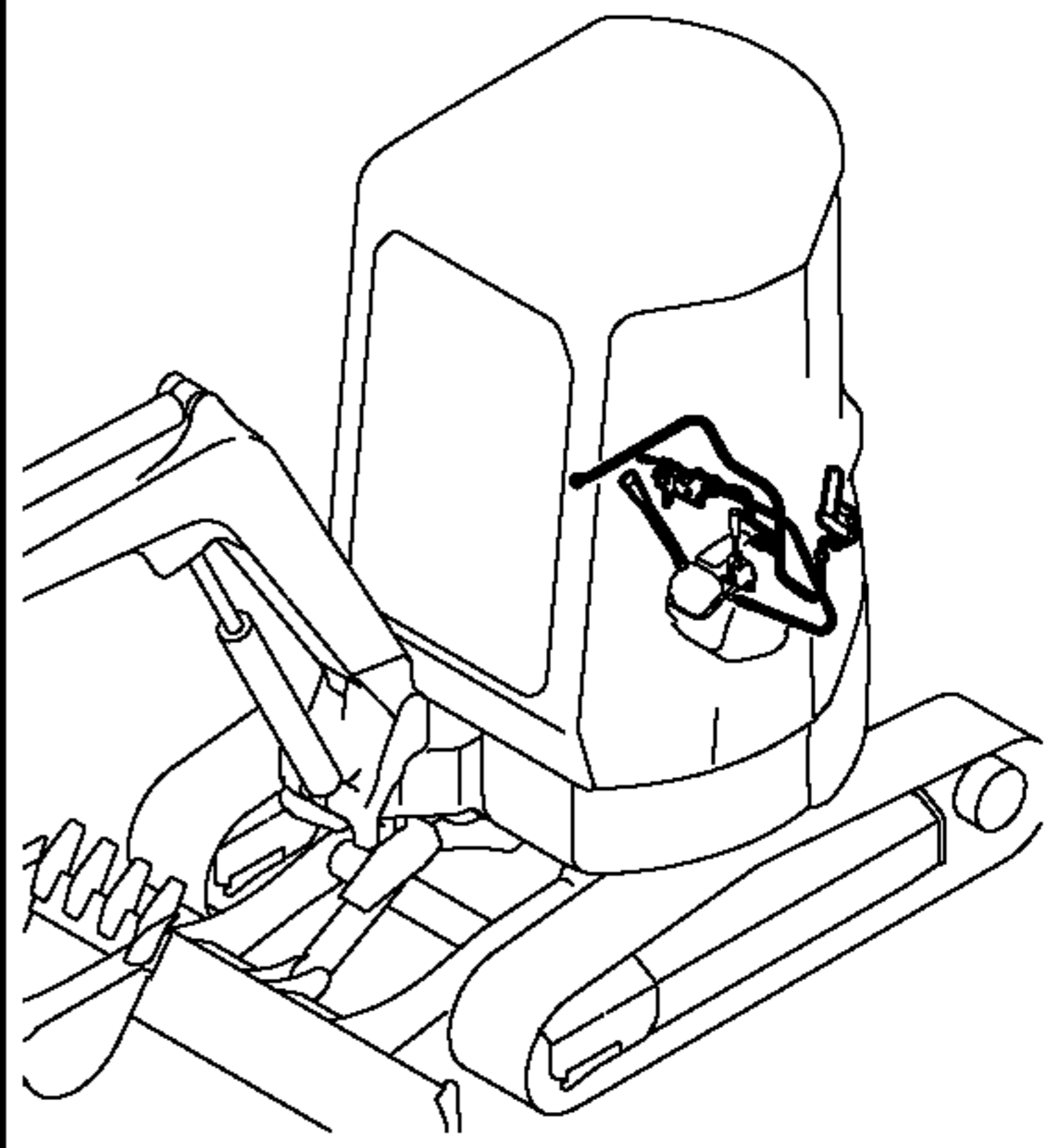


ヒッチシリンダ  
HITCH CYLINDER



旧形  
PREVIOUS

Fig. 16 ワンタッチデセル(オプション)  
ONE TOUCH DECEL (OPTIONAL)



1  
ワンタッチデセルキット  
ONE TOUCH DECEL KIT  
(172458-08200)

標準仕様のエンジンコントロールに  
ワンタッチデセル機能を追加する為の  
リンクとワイヤーの改装部品です。

LINK & WIRE PARTS IN ORDER  
TO ADD ONE TOUCH DECEL  
SYSTEM TO STANDARD SPEC.  
OF ENGINE CONTROL.

CLICK HERE TO **DOWNLOAD** THE COMPLETE MANUAL

- Thank you very much for reading the preview of the manual.
- You can download the complete manual from: [www.heydownloads.com](http://www.heydownloads.com) by clicking the link below



- Please note: If there is no response to CLICKING the link, please download this PDF first and then click on it.

CLICK HERE TO **DOWNLOAD** THE COMPLETE MANUAL