



# PARTS CATALOG

Published

2009/7 (Jul.)

0CNP4-G32200

CLICK HERE TO **DOWNLOAD** THE COMPLETE MANUAL

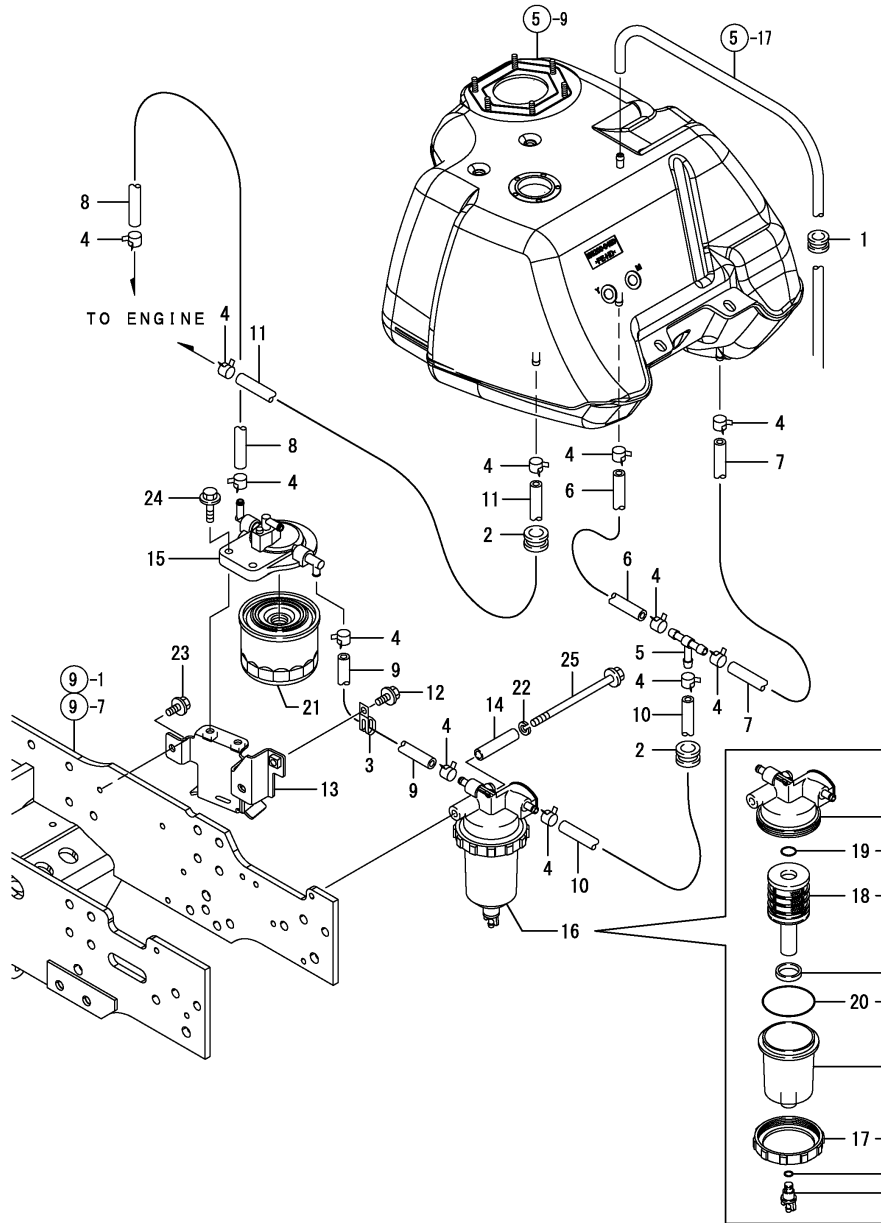
- Thank you very much for reading the preview of the manual.
- You can download the complete manual from: [www.heydownloads.com](http://www.heydownloads.com) by clicking the link below



- Please note: If there is no response to CLICKING the link, please download this PDF first and then click on it.

CLICK HERE TO **DOWNLOAD** THE COMPLETE MANUAL

Fig.6. FUEL PIPE



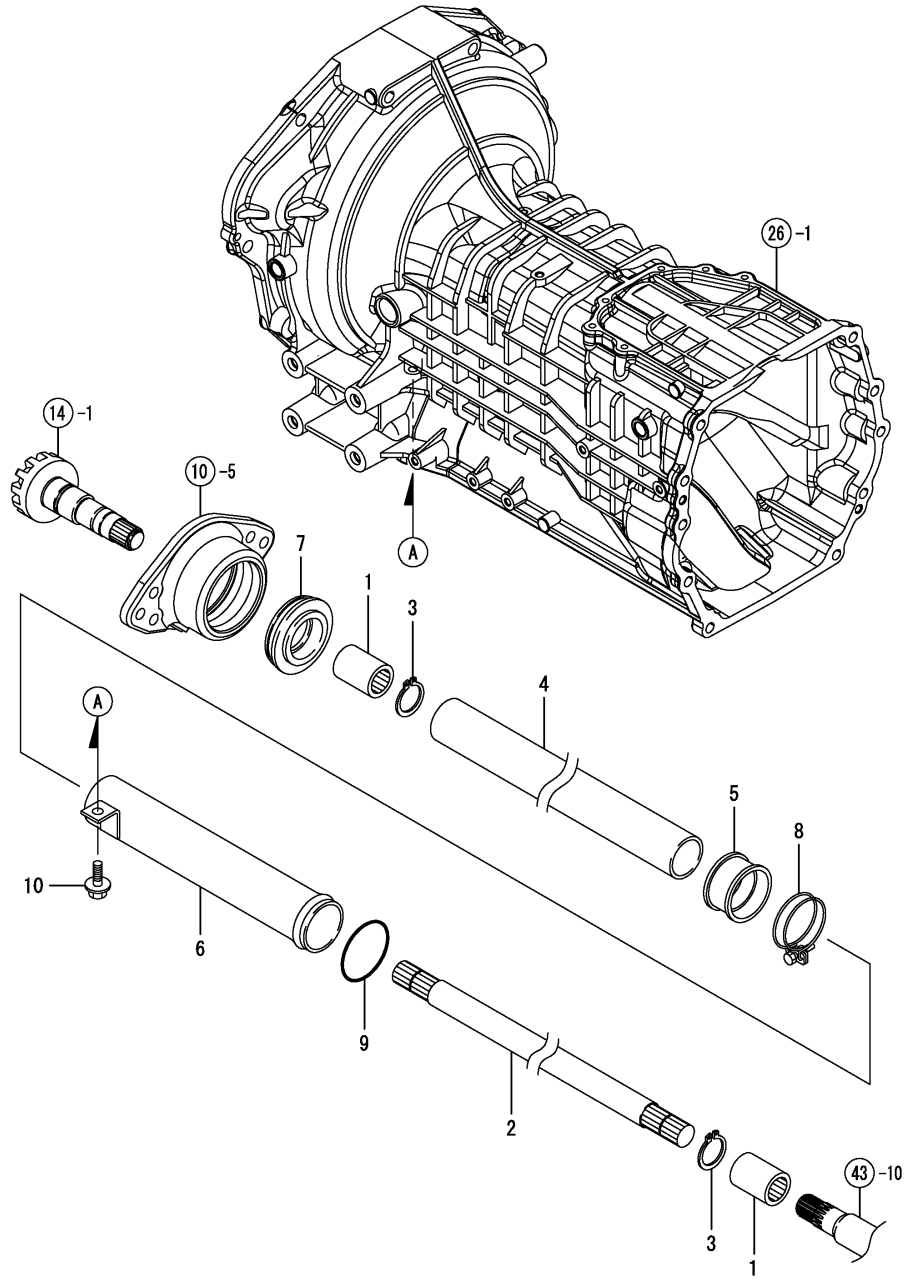
(A)=EF227EH  
(B)=EF230EH  
(C)=EF233EH

(D)=EF235EH  
(E)=  
(F)=

REF.	LEV.	PARTS NO.	DESCRIPTION	Q'TY						I	R
				(A)	(B)	(C)	(D)	(E)	(F)		
1	1	1E8050-05510	GROMMET 12X3,SLITTED	1	1	1	1				
2	1	194170-51210	GROMMET 25	2	2	2	2				
3	1	194440-51620	CLAMP, WIRE HARNESS	1	1	1	1				
4	1	124766-59050	CLAMP 12	12	12	12	12				
5	1	119629-59910	JOINT, 3-WAY	1	1	1	1				
6	1	23980-730060	HOSE, 7.3 X 60	1	1	1	1				
7	1	23980-730180	HOSE, 7.3 X 180	1	1	1	1				
8	1	23980-730340	HOSE	1	1	1	1				
9	1	23980-730500	FUEL PIPE 7.3X500	1	1	1	1				
10	1	23980-730500	FUEL PIPE 7.3X500	1	1	1	1				
11	1	23980-730730	HOSE, 7.3X730	1	1	1	1				
12	1	26106-080122	BOLT M 8X 12 PLATED	1	1	1	1				
13	1	198200-11250	STAY ASSY, FILTER	1	1	1	1				
14	1	198280-11370	COLLAR	1	1	1	1				
15	1	119852-55611	BRACKET, FILTER	1	1	1	1				
16	1	119802-55700	SEPARATOR ASSY	1	1	1	1				
17	2	129100-55690	RING, RETAINING	1	1	1	1				
18	2	119802-55710	ELEMENT	1	1	1	1				
19	2	24311-000160	O-RING 1A P-16.0	1	1	1	1				
20	2	24321-000650	O-RING 1A G-65.0	1	1	1	1				
21	1	119802-55800	FILTER, FUEL	1	1	1	1				
22	1	22217-080000	SPRING WASHER 8	1	1	1	1				
23	1	26106-080162	BOLT M 8X 16 PLATED	2	2	2	2				
24	1	26106-080252	BOLT M 8X 25 PLATED	2	2	2	2				
25	1	26116-081302	BOLT M 8X130 PLATED	1	1	1	1				

Remarks  
\* FIGURE FOR TYPE ROPS

Fig.16. PROPELLER SHAFT



0CNP4-G32200 16. PROPELLER SHAFT

(A)=EF227EH  
(B)=EF230EH  
(C)=EF233EH

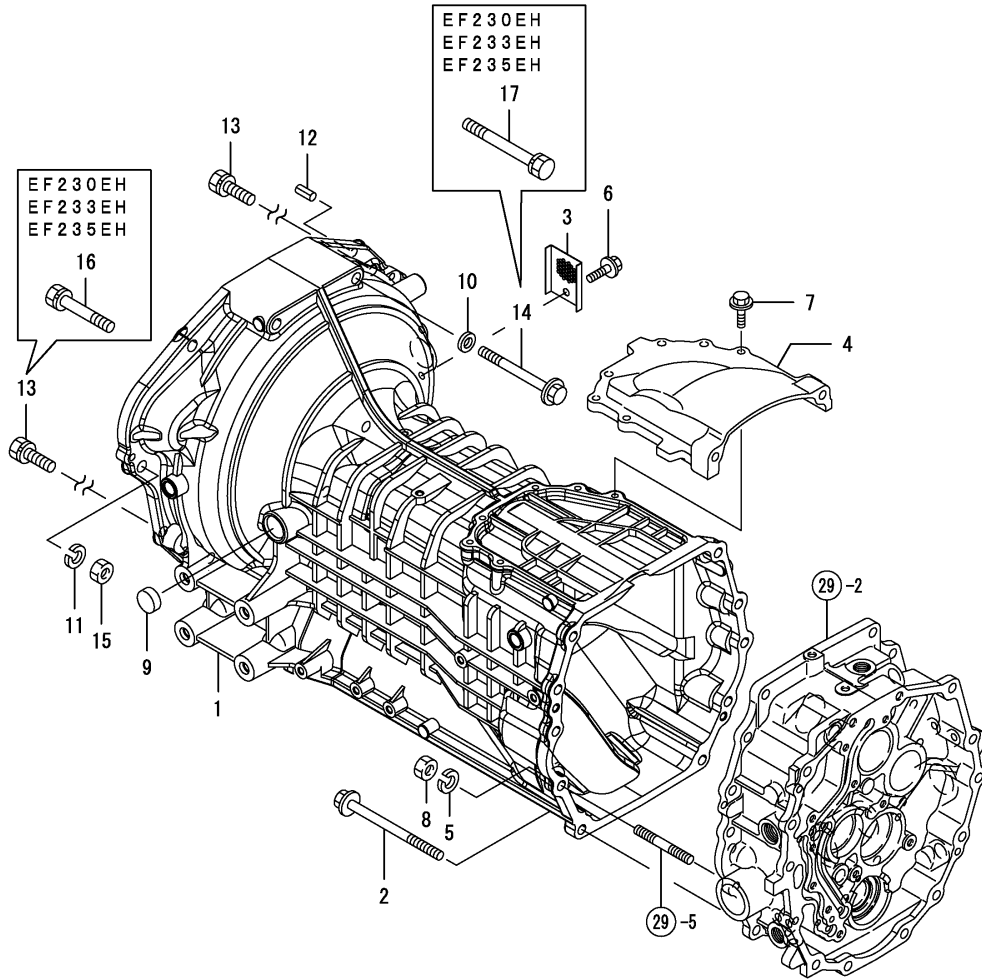
(D)=EF235EH  
(E)=  
(F)=

REF.	LEV.	PARTS NO.	DESCRIPTION	Q'TY						I	R
				(A)	(B)	(C)	(D)	(E)	(F)		
1	1	198200-13280	COUPLING, FRONT	2	2	2	2				
2	1	198280-13310	SHAFT, PROPELLER	1	1	1	1				
3	1	22242-000220	CIRCLIP 22	2	2	2	2				
4	1	198280-14630	COVER, SHAFT FRONT	1	1	1	1				
5	1	198071-14650	BOOT,SHAFT COVER	1	1	1	1				
6	1	198200-14670	COVER, SHAFT REAR	1	1	1	1				
7	1	198200-14910	SEAL, SHAFT COVER	1	1	1	1				
8	1	23010-055000	CLAMP 55	1	1	1	1				
9	1	24321-000450	O-RING 1A G-45.0	1	1	1	1				
10	1	26106-080162	BOLT M 8X 16 PLATED	1	1	1	1				

Fig.26. CLUTCH HOUSING

(A)=EF227EH  
(B)=EF230EH  
(C)=EF233EH

(D)=EF235EH  
(E)=  
(F)=



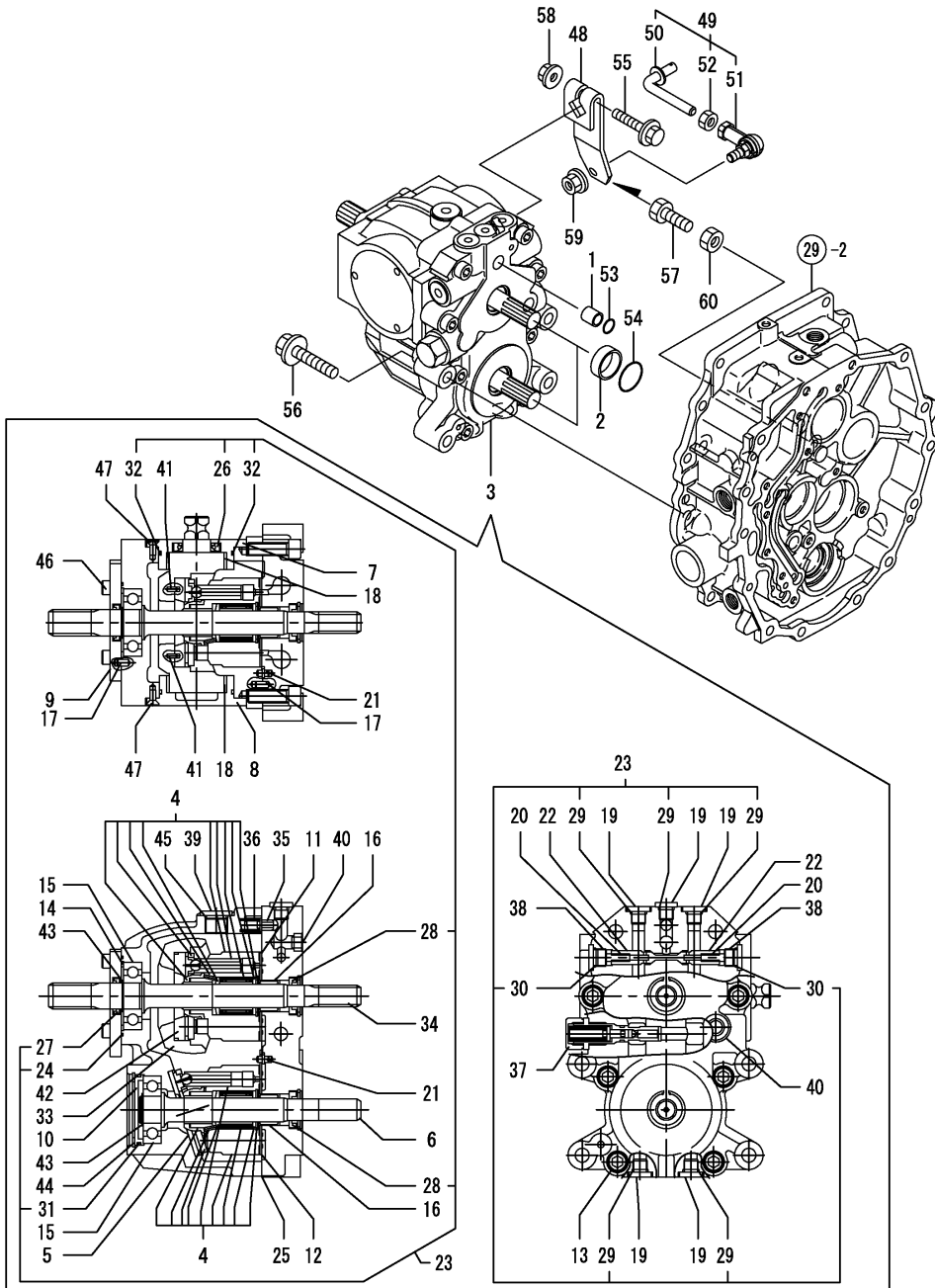
REF.	LEV.	PARTS NO.	DESCRIPTION	Q'TY						I	R
				(A)	(B)	(C)	(D)	(E)	(F)		
1	1	198280-21110	HOUSING, CLUTCH	1	1	1	1				
2	1	198200-21140	BOLT, 10 X 135	9	9	9	9				
3	1	198280-21170	COVER, HOUSING	1	1	1	1				
4	1	198280-21520	COVER, HOUSING	1	1	1	1				
5	1	22217-100000	SPRING WASHER 10	1	1	1	1				
6	1	26106-080122	BOLT M 8X 12 PLATED	1	1	1	1				
7	1	26106-080252	BOLT M 8X 25 PLATED	6	6	6	6				
8	1	26716-100002	NUT 10	1	1	1	1				
9	1	27260-260000	PLUG 26,BORE	2	2	2	2				
10	1	22137-100000	WASHER 10,POLISHED	2							
11	1	22217-120000	SPRING WASHER 12	1	1	1	1				
12	1	22351-080018	SPRING PIN 8X18	2	2	2	2				
13	1	26013-120352	BOLT M12X 35	6	4	4	4				
14	1	26106-101052	BOLT M10X105 PLATED	2							
15	1	26716-120002	NUT 12	1	1	1	1				
16	1	26013-120702	BOLT 12X70 W/SP.WSHR		2	2	2				
17	1	26013-121052	BOLT M12X105		2	2	2				



Fig.45. H.S.T.

(A)=EF227EH  
(B)=EF230EH  
(C)=EF233EH

(D)=EF235EH  
(E)=  
(F)=



REF.	LEV.	PARTS NO.	DESCRIPTION	QTY						I	R
				(A)	(B)	(C)	(D)	(E)	(F)		
	52	2	26716-100002	NUT 10	1	1	1	1			
	53	1	24311-000160	O-RING 1A P-16.0	2	2	2	2			
	54	1	24311-000340	O-RING 1A P-34.0	2	2	2	2			
	55	1	26106-080502	BOLT M 8X 50 PLATED	1	1	1	1			
	56	1	26106-120552	BOLT, 12 X 55	4	4	4	4			
	57	1	26116-100602	BOLT M10X 60 PLATED	1	1	1	1			
	58	1	26366-080002	NUT M 8	1	1	1	1			
	59	1	26366-100002	NUT M10	1	1	1	1			
	60	1	26716-100002	NUT 10	1	1	1	1			



CLICK HERE TO **DOWNLOAD** THE COMPLETE MANUAL

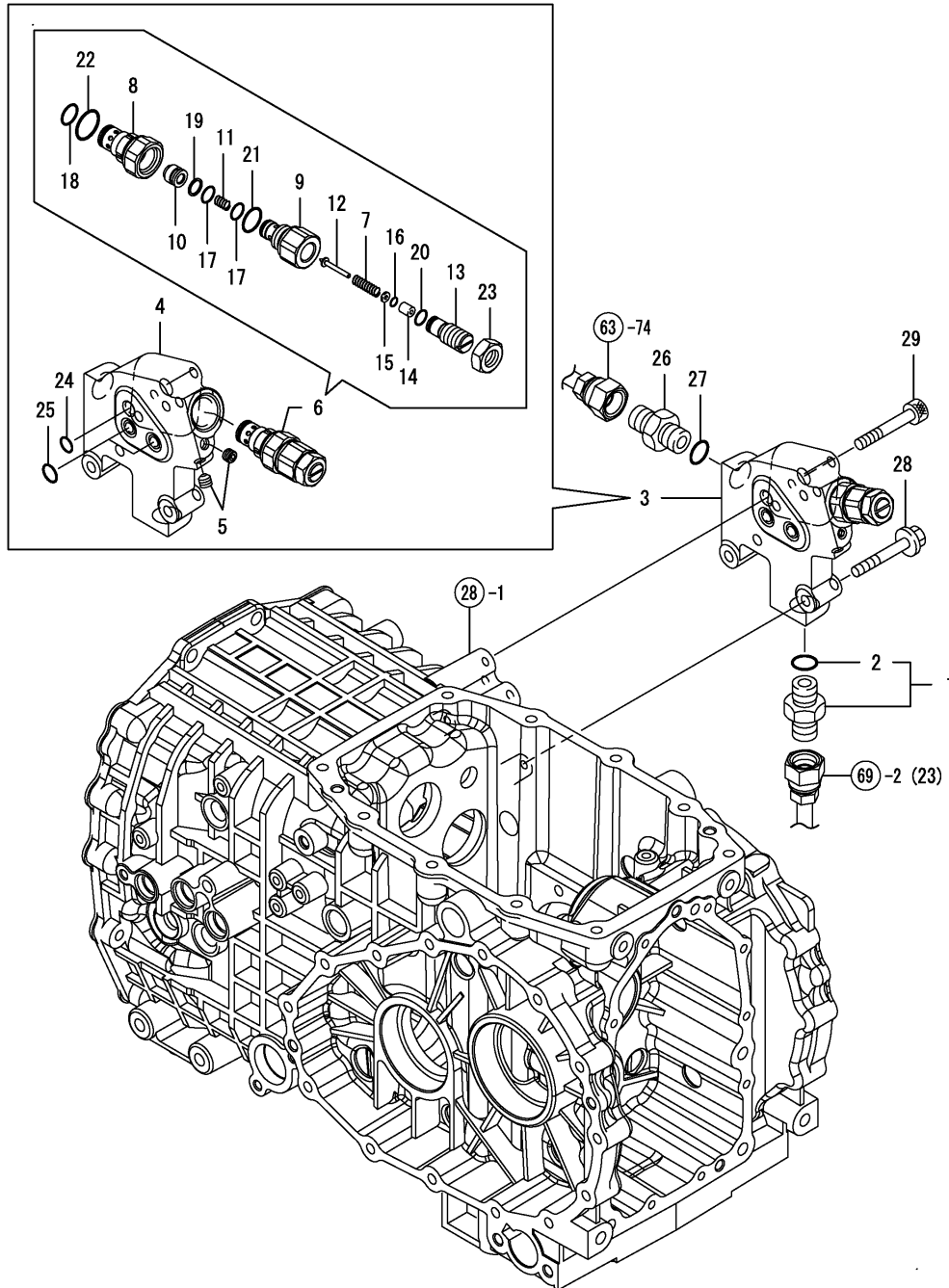
- Thank you very much for reading the preview of the manual.
- You can download the complete manual from: [www.heydownloads.com](http://www.heydownloads.com) by clicking the link below



- Please note: If there is no response to CLICKING the link, please download this PDF first and then click on it.

CLICK HERE TO **DOWNLOAD** THE COMPLETE MANUAL

Fig.64. RELIEF VALVE



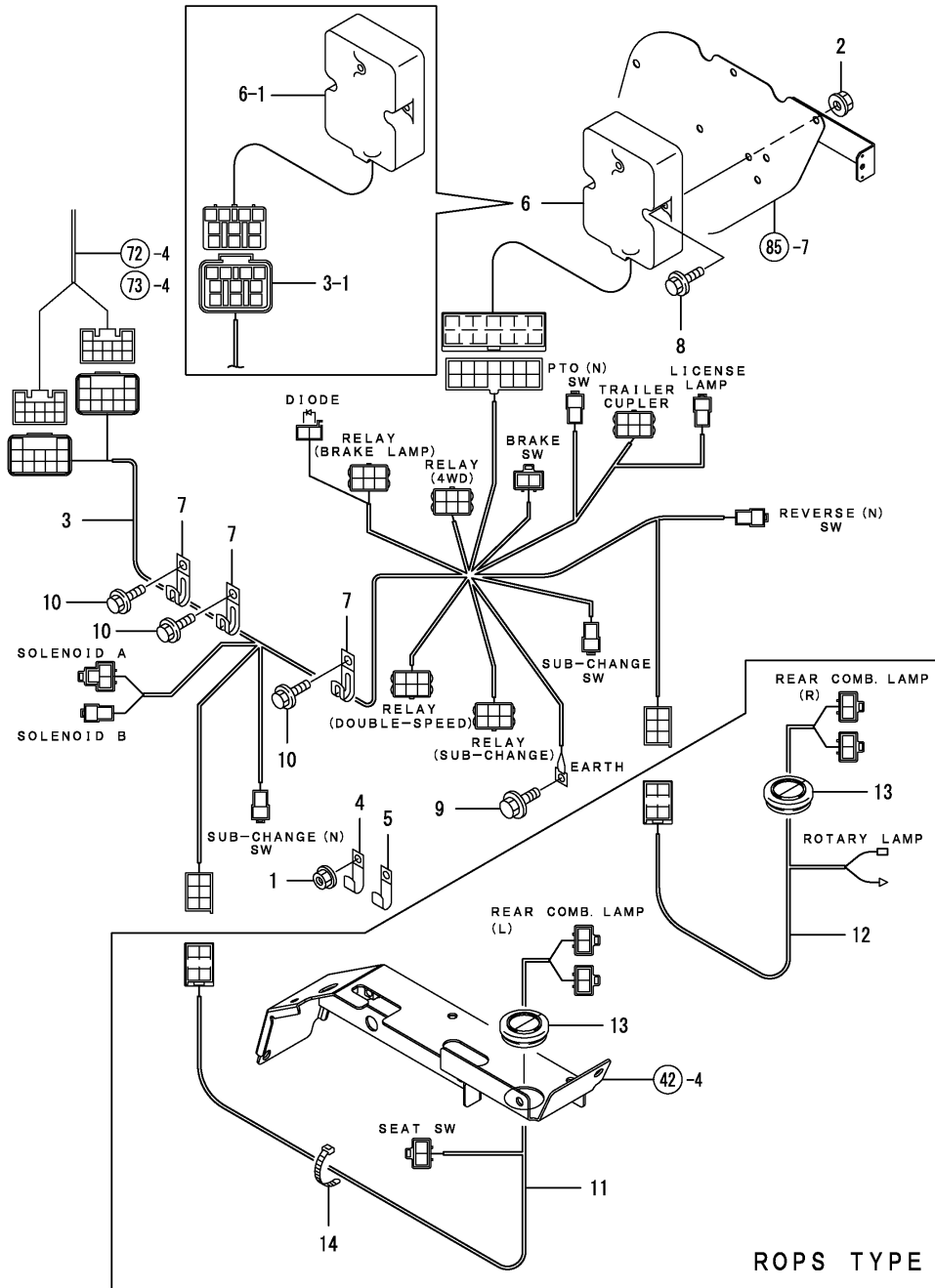
OCNP4-G32200 64. RELIEF VALVE

(A)=EF227EH  
(B)=EF230EH  
(C)=EF233EH

(D)=EF235EH  
(E)=  
(F)=

REF.	LEV.	PARTS NO.	DESCRIPTION	Q'TY						I	R
				(A)	(B)	(C)	(D)	(E)	(F)		
1	1	198265-48200	ADAPTER ASSY	1	1	1	1				
2	2	24311-000180	O-RING 1A P-18.0	1	1	1	1				
3	1	198280-48500	HOUSING ASSY, VALVE	1	1	1	1				
4	2	1682B4-01020	CASE(RELIEFVALVE	1	1	1	1				
5	2	178073-01200	PLUG PT 1/8	2	2	2	2				
6	2	198200-45510	VALVE ASSY, RELIEF	1	1	1	1				
7	3	178073-04310	SPRING, PILOT	1	1	1	1				
8	3	178076-26100	HOLDER, RELIEF	1	1	1	1				
9	3	178076-26110	HOLDER, RELIEF PILOT	1	1	1	1				
10	3	178076-26120	VALVE, RELIEF	1	1	1	1				
11	3	178076-26130	SPRING	1	1	1	1				
12	3	178076-26140	VALVE, PILOT	1	1	1	1				
13	3	178076-26160	SCREW, ADJUSTMENT	1	1	1	1				
14	3	178076-26170	GUIDE, RELIEF VALVE	1	1	1	1				
15	3	178076-26180	SPACER,	1	1	1	1				
16	3	178076-26190	PACKING, P 3	1	1	1	1				
17	3	194327-45630	O-RING 1BS12	2	2	2	2				
18	3	194327-45650	O-RING 1BS16	1	1	1	1				
19	3	172510-74530	RING,BACKUP	1	1	1	1				
20	3	24315-000100	O-RING 1B P-10.0	1	1	1	1				
21	3	24315-000180	O-RING 1B P-18.0	1	1	1	1				
22	3	24315-000220	O-RING 1B P-22.0	1	1	1	1				
23	3	26776-160002	LOCK NUT M16 PLATED	1	1	1	1				
24	2	24311-000110	O-RING 1A P-11.0	1	1	1	1				
25	2	24311-000140	O-RING 1A P-14.0	2	2	2	2				
26	1	172112-77360	CONNECTOR PF1/2PF1/2	1	1	1	1				
27	1	24311-000180	O-RING 1A P-18.0	1	1	1	1				
28	1	26106-080452	BOLT M 8X 45 PLATED	2	2	2	2				
29	1	26450-080402	BOLT 8X40	1	1	1	1				

Fig.74. WIRE HARNESS(TRANSMISSION)



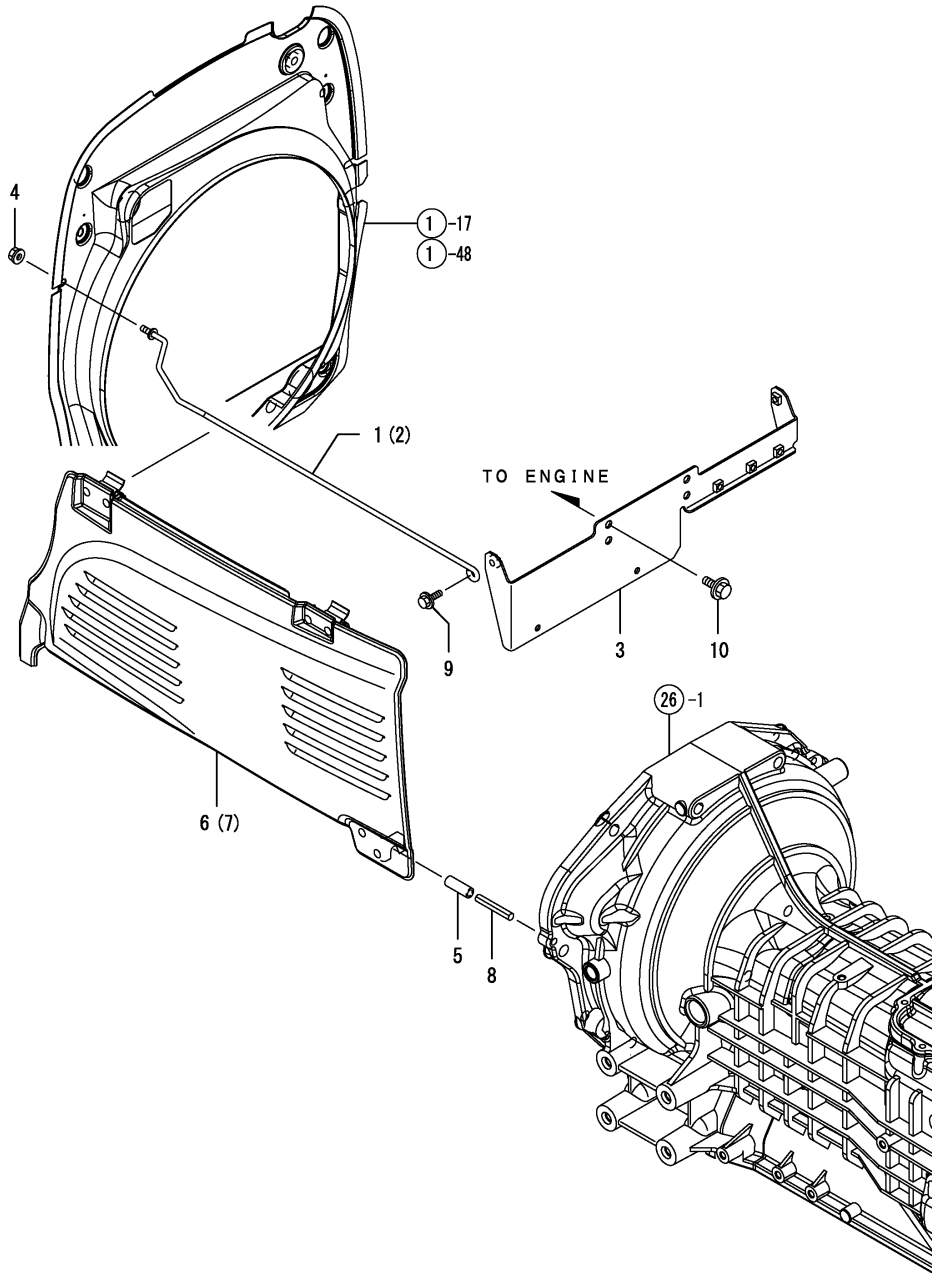
OCNP4-G32200 74. WIRE HARNESS(TRANSMISSION)

(A)=EF227EH  
(B)=EF230EH  
(C)=EF233EH

(D)=EF235EH  
(E)=  
(F)=

REF.	LEV.	PARTS NO.	DESCRIPTION	QTY						I	R
				(A)	(B)	(C)	(D)	(E)	(F)		
1	1	194990-22130	NUT W/WASHER 6	1	1	1	1				
2	1	194990-22130	NUT W/WASHER 6	2	2	2	2				
3	1	198280-51130	WIRING HARNESS, B	1	1	1	1				S
3-1	1	198280-51131	WIRING HARNESS, B (A=*2005.10.) (B=*2005.10.) (C=*2005.10.) (D=*2005.10.)	1	1	1	1				
4	1	194440-51630	CLAMP, WIRE HARNESS	1	1	1	1				
5	1	194180-51640	CLAMP, WIRE HARNESS	2	2	2	2				
6	1	198165-52600	CONTROLLER,CHAIN	1	1	1	1				
6-1	1	198280-52600	CONTROLLER, CHAIN	1	1	1	1				S
7	1	1E6102-83230	CLAMP, BATTERY CABLE (A=*2005.10.) (B=*2005.10.) (C=*2005.10.) (D=*2005.10.)	3	3	3	3				
8	1	26106-060202	BOLT M 6X 20 PLATED	2	2	2	2				
9	1	26106-080122	BOLT M 8X 12 PLATED	1	1	1	1				
10	1	26106-080122	BOLT M 8X 12 PLATED	3	3	3	3				
11	1	198280-51180	WIRING HARNESS, C	1	1	1	1				
12	1	198280-51190	WIRING HARNESS, D	1	1	1	1				
13	1	198133-51350	GROMMET 38A	2	2	2	2				
14	1	29622-250001	BAND RF 250	1	1	1	1				

Fig.83. SIDE COVER

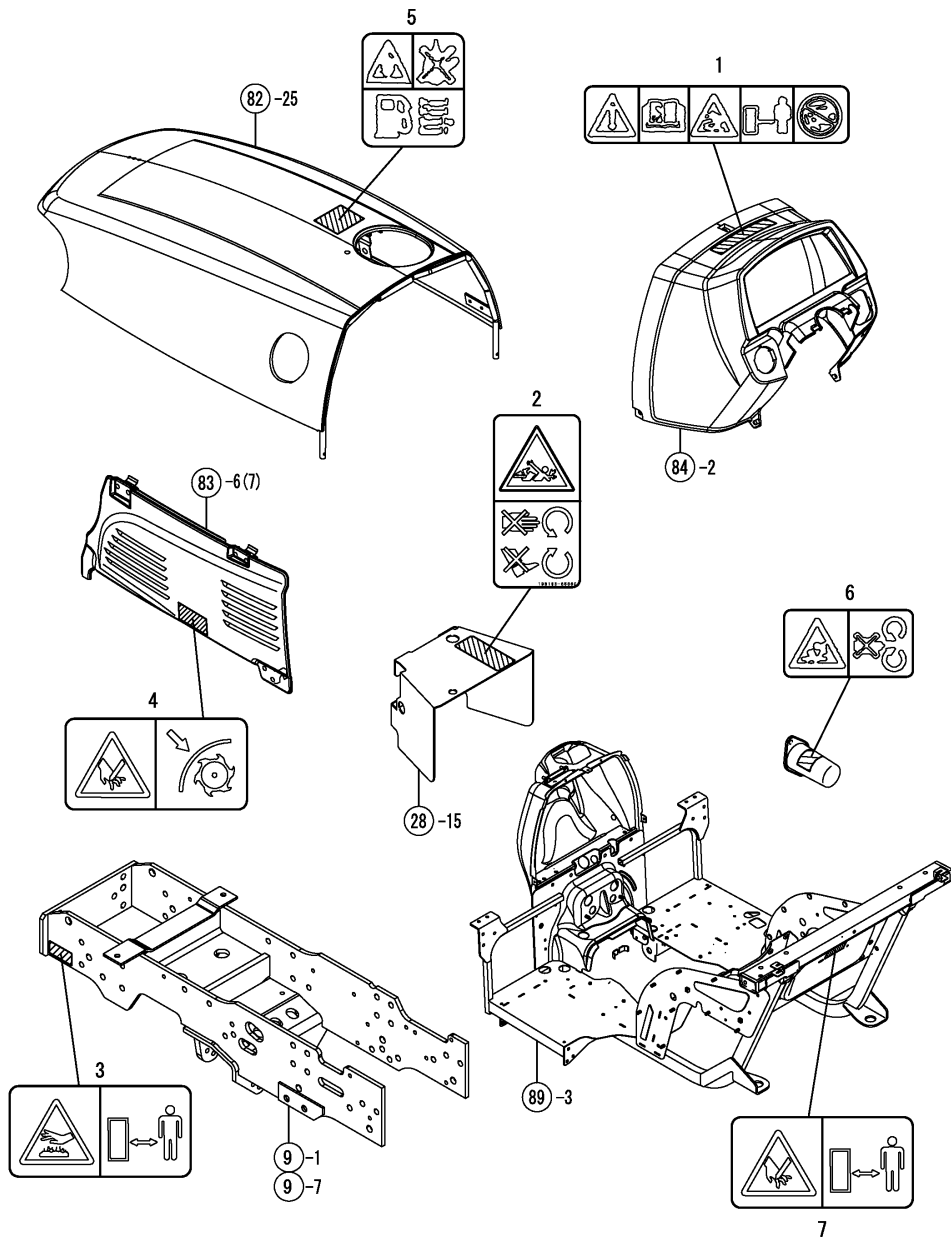


(A)=EF227EH  
(B)=EF230EH  
(C)=EF233EH

(D)=EF235EH  
(E)=  
(F)=

REF.	LEV.	PARTS NO.	DESCRIPTION	Q'TY						I	R
				(A)	(B)	(C)	(D)	(E)	(F)		
1	1	198200-01570	STAY ASSY, COVER L	1	1	1	1				
2	1	198200-01580	STAY ASSY, COVER R	1	1	1	1				
3	1	198200-01600	STAY ASSY, REAR	1	1	1	1				
4	1	194990-22130	NUT W/WASHER 6	2	2	2	2				
5	1	198200-60990	PIPE, GUARD	2	2	2	2				
6	1	198280-61000	COVER M ASSY, SIDE L	1	1	1	1				
7	1	198280-61010	COVER M ASSY, SIDE R	1	1	1	1				
8	1	22351-080050	SPRING PIN 8X50	2	2	2	2				
9	1	26106-060162	BOLT M 6X 16 PLATED	2	2	2	2				
10	1	26106-080122	BOLT M 8X 12 PLATED	2	2	2	2				

Fig.93. LABELS(SAFETY)



0CNP4-G32200 93. LABELS(SAFETY)

(A)=EF227EH  
(B)=EF230EH  
(C)=EF233EH

(D)=EF235EH  
(E)=  
(F)=

REF.	LEV.	PARTS NO.	DESCRIPTION	QTY						I	R
				(A)	(B)	(C)	(D)	(E)	(F)		
1	1	198163-65310	LABEL, SAFETY	1	1	1	1				
2	1	198163-65350	DANGER, ROTAT. SHAFT	1	1	1	1				
3	1	198163-65930	CAUTION, MUFFLER	1	1	1	1				
4	1	198163-65940	CAUTION, SAFETY COVER	2	2	2	2				
5	1	1A6150-91251	LABEL, RAKE CAUTION	1	1	1	1				
6	1	1A6150-93151	LABEL, COVER	1	1	1	1				
7	1	198280-65610	LABEL, 3P	1	1	1	1				

Fig.103. REAR WINDOW

(A)=EF227EH

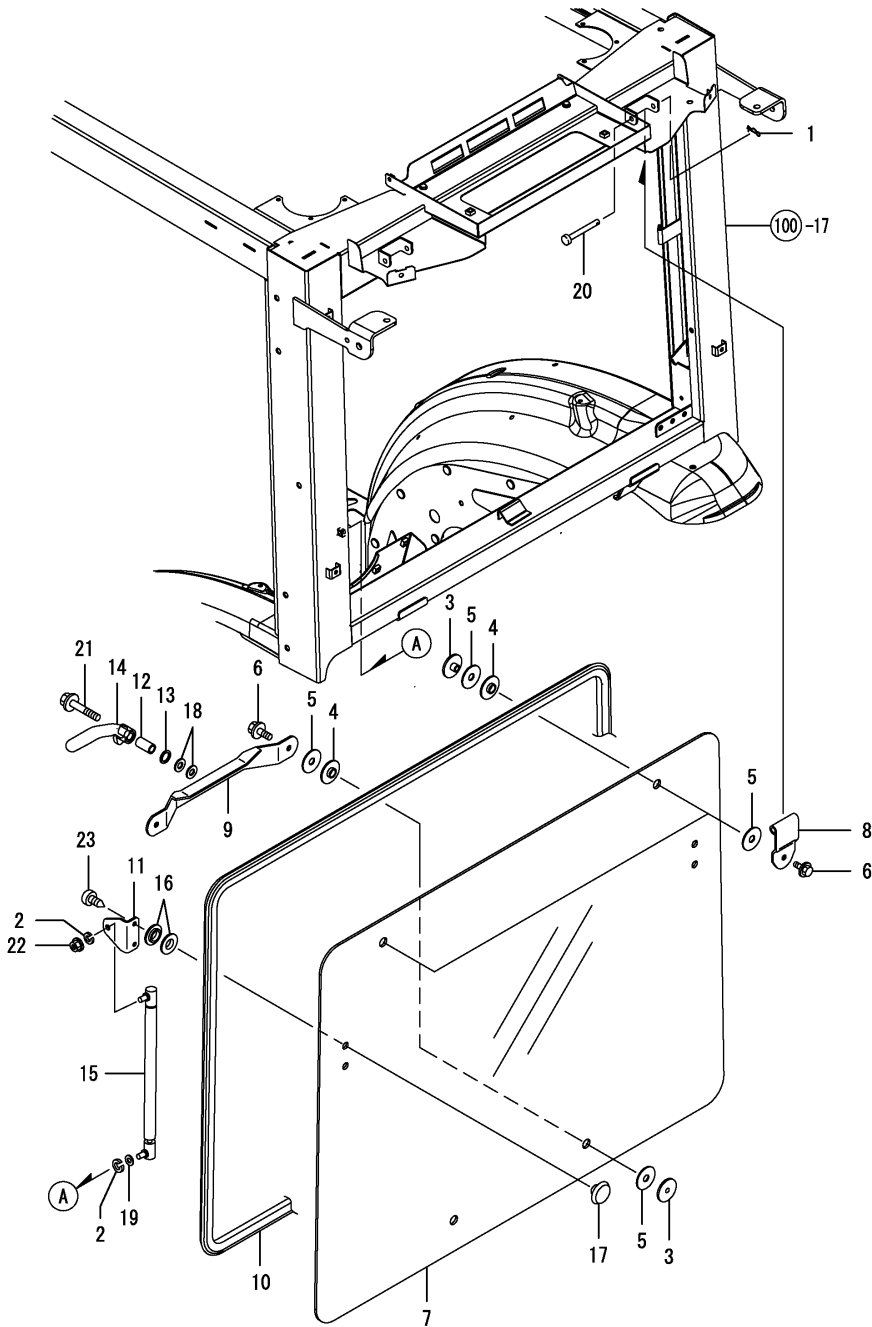
(B)=EF230EH

(C)=EF233EH

(D)=EF235EH

(E)=

(F)=



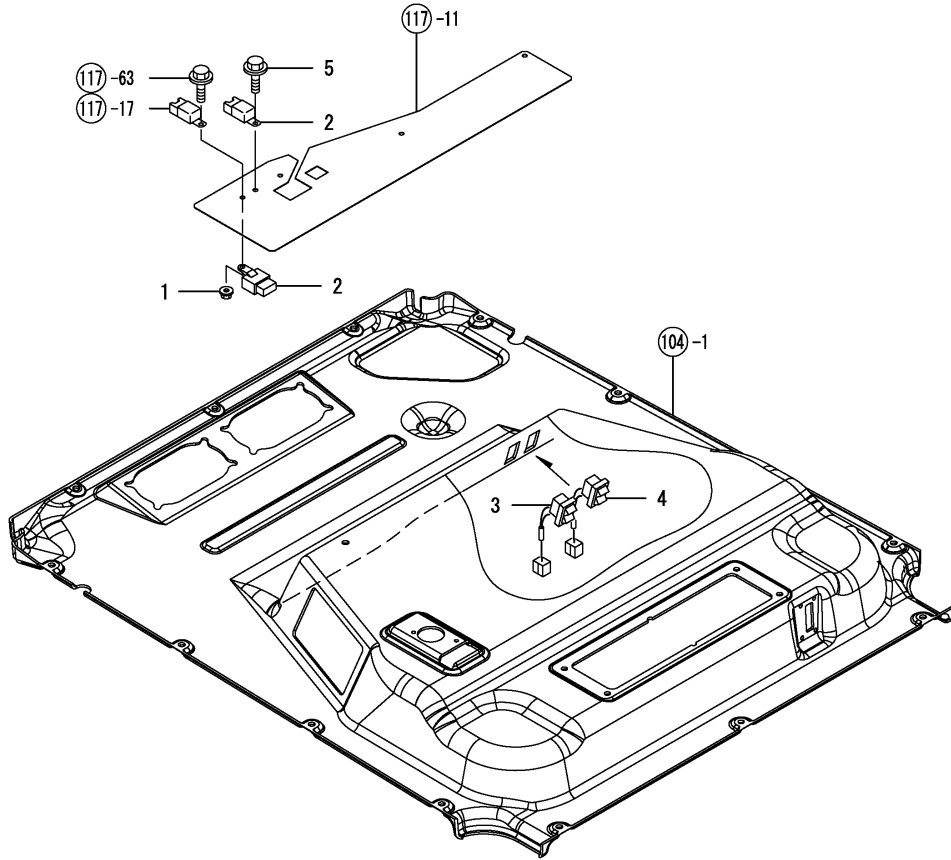
REF.	LEV.	PARTS NO.	DESCRIPTION	Q'TY						I	R
				(A)	(B)	(C)	(D)	(E)	(F)		
1	1	1C6281-52310	PIN 6,COME-OFF SNAP	2	2	2	2				
2	1	198268-82270	SPRING WASHER 8	4	4	4	4				
3	1	198094-82550	BOLT	4	4	4	4				
4	1	198255-82650	RUBBER A,GL.CUSHION	4	4	4	4				
5	1	198255-82660	RUBBER B,GL.CUSHION	8	8	8	8				
6	1	198460-83350	BOLT M8X16,BC COLLAR	4	4	4	4				
7	1	198287-83610	GLASS, REAR	1	1	1	1				
8	1	198208-83630	HINGE, REAR	2	2	2	2				
9	1	198094-83640	BRACKET,REAR LOCK	1	1	1	1				
10	1	198287-83640	WEATHER-STRIP, RG	1	1	1	1				
11	1	198208-83650	STAY, GAS DAMPER	2	2	2	2				
12	1	198153-83710	COLLAR 8.4X12X22.5	1	1	1	1				
13	1	198153-83720	WASHER 12,WAVE	1	1	1	1				
14	1	198153-83730	HANDLE,REAR GLASS	1	1	1	1				
15	1	198093-83751	SPRING	2	2	2	2				
16	1	197820-84740	LINER	8	8	8	8				
17	1	197820-84750	RETAINER	4	4	4	4				
18	1	22137-080000	WASHER 8, POLISHED	2	2	2	2				
19	1	22137-080000	WASHER 8, POLISHED	2	2	2	2				
20	1	22487-080600	PIN 8X 60	2	2	2	2				
21	1	26106-080452	BOLT M 8X 45 PLATED	1	1	1	1				
22	1	26366-080002	NUT M 8	2	2	2	2				
23	1	26589-060102	SCREW M 6X 10	4	4	4	4				

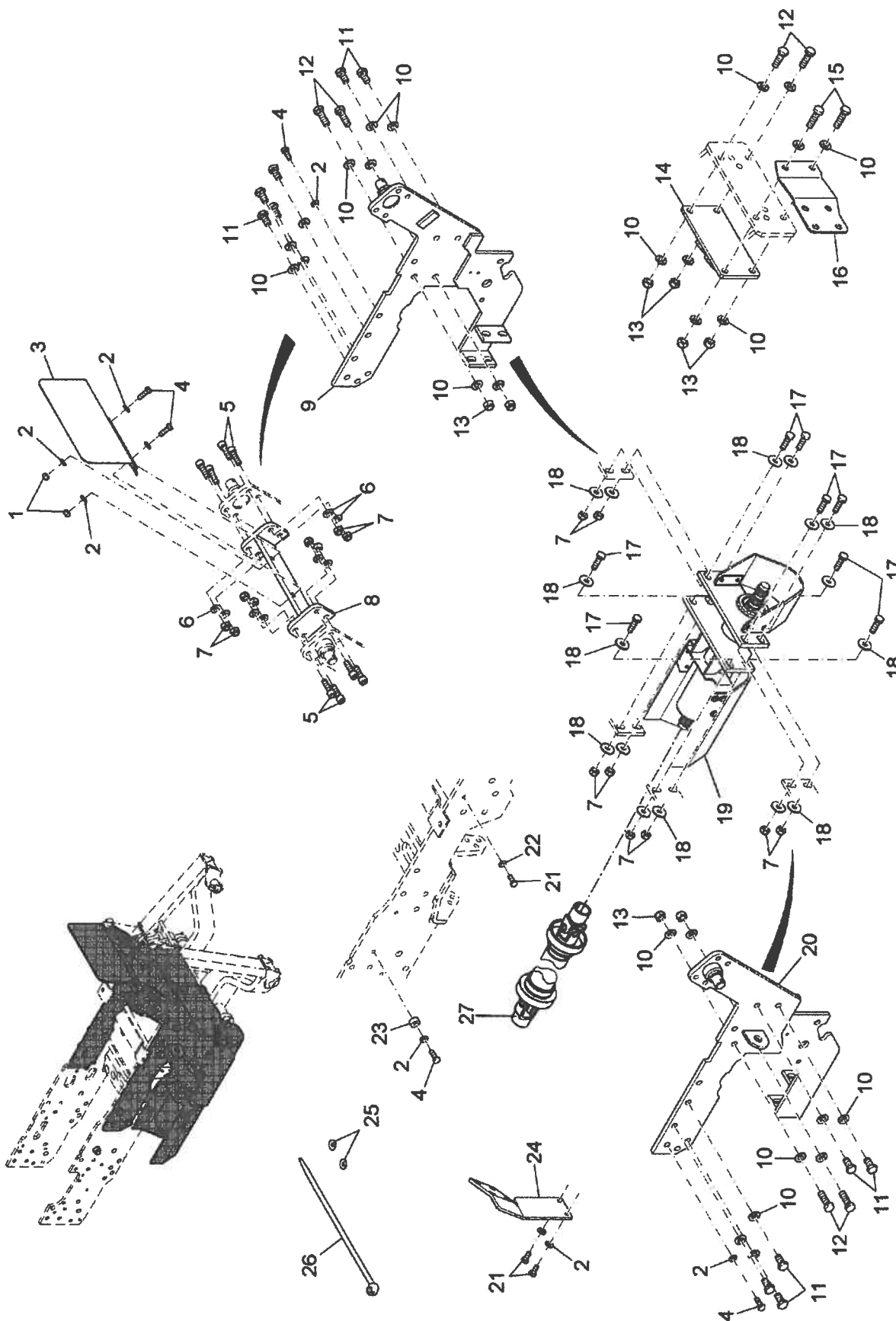
Fig.113. SWITCHES(CABIN)

(A)=EF227EH  
(B)=EF230EH  
(C)=EF233EH

(D)=EF235EH  
(E)=  
(F)=

REF.	LEV.	PARTS NO.	DESCRIPTION	Q'TY						I	R
				(A)	(B)	(C)	(D)	(E)	(F)		
1	1	194990-22130	NUT W/WASHER 6	1	1	1	1				
2	1	198461-52950	RELAY CA,TYPE C	2	2	2	2				
3	1	197821-85430	SWITCH,WIPER	1	1	1	1				
4	1	198094-86410	SWITCH, WORK LAMP	1	1	1	1				
5	1	26106-060162	BOLT M 6X 16 PLATED	1	1	1	1				





Pos	Ersatzteilnummer	Materialnummer	Benennung	Menge

CLICK HERE TO **DOWNLOAD** THE COMPLETE MANUAL

- Thank you very much for reading the preview of the manual.
- You can download the complete manual from: [www.heydownloads.com](http://www.heydownloads.com) by clicking the link below



- Please note: If there is no response to CLICKING the link, please download this PDF first and then click on it.

CLICK HERE TO **DOWNLOAD** THE COMPLETE MANUAL