

P R E F A C E

1. This Parts Catalog is the 1st revised of Yanmar crawler back-hoe B2U-1.

2. Parts catalog history

	Parts catalog No	Published	Note
1st edition	000Y00K3630	Feb., 1999	Disuse old edition
1st revised	000Y00K3631	Nov., 2001	

3. Model name

SECTION	Column	Model name	Manufactured	Machine No.
I (Vehicle)	(A)	B2U-1	1998/11~	M/# 30501~
II (Engine)	(A)	3TNE74-N3AY	1998/11~	E/# N00177~
	(B)	3TNE74-EN3AY	2000/ 4~	E/# N04808~

4. Your understanding is asking that this parts catalog is not a technical data manual setting forth as servicing procedures, This parts catalog is using simplified illustration. Be sure to use Yanmer Genuine Parts in your maintenance servicing of Yanmar products. Be careful not to use the simple parts available in the market, otherwise their use in repairing causes such as an early breakage, for instance.

CLICK HERE TO **DOWNLOAD** THE COMPLETE MANUAL

- Thank you very much for reading the preview of the manual.
- You can download the complete manual from: www.heydownloads.com by clicking the link below



- Please note: If there is no response to CLICKING the link, please download this PDF first and then click on it.

CLICK HERE TO **DOWNLOAD** THE COMPLETE MANUAL

Fig. 1 エンジンマウント
ENGINE MOUNT

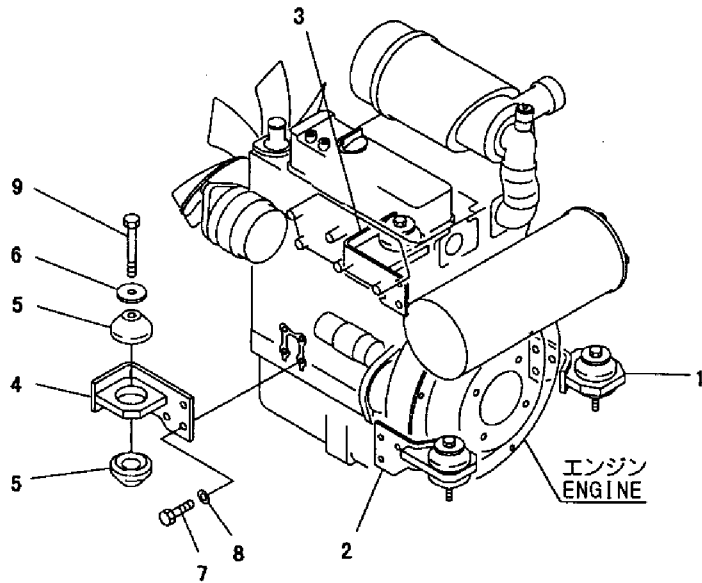


Fig. 6 ラジエータパイプ
RADIATOR PIPE

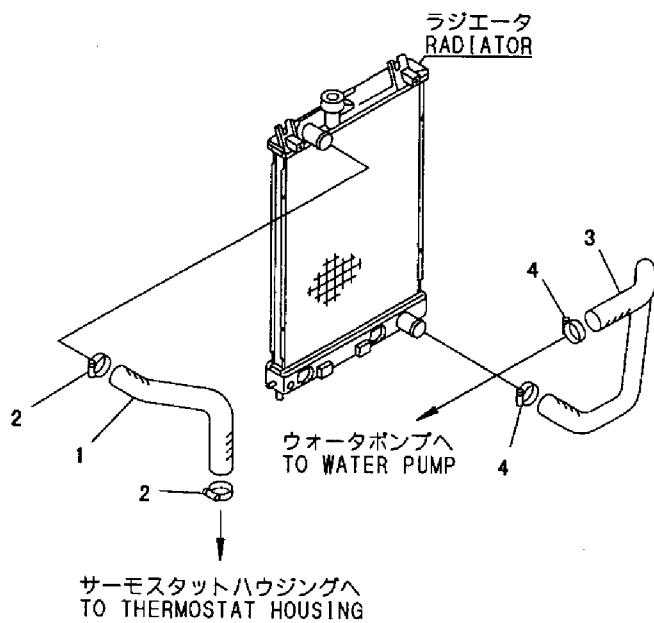


Fig. 11 燃料パイプ
FUEL PIPE

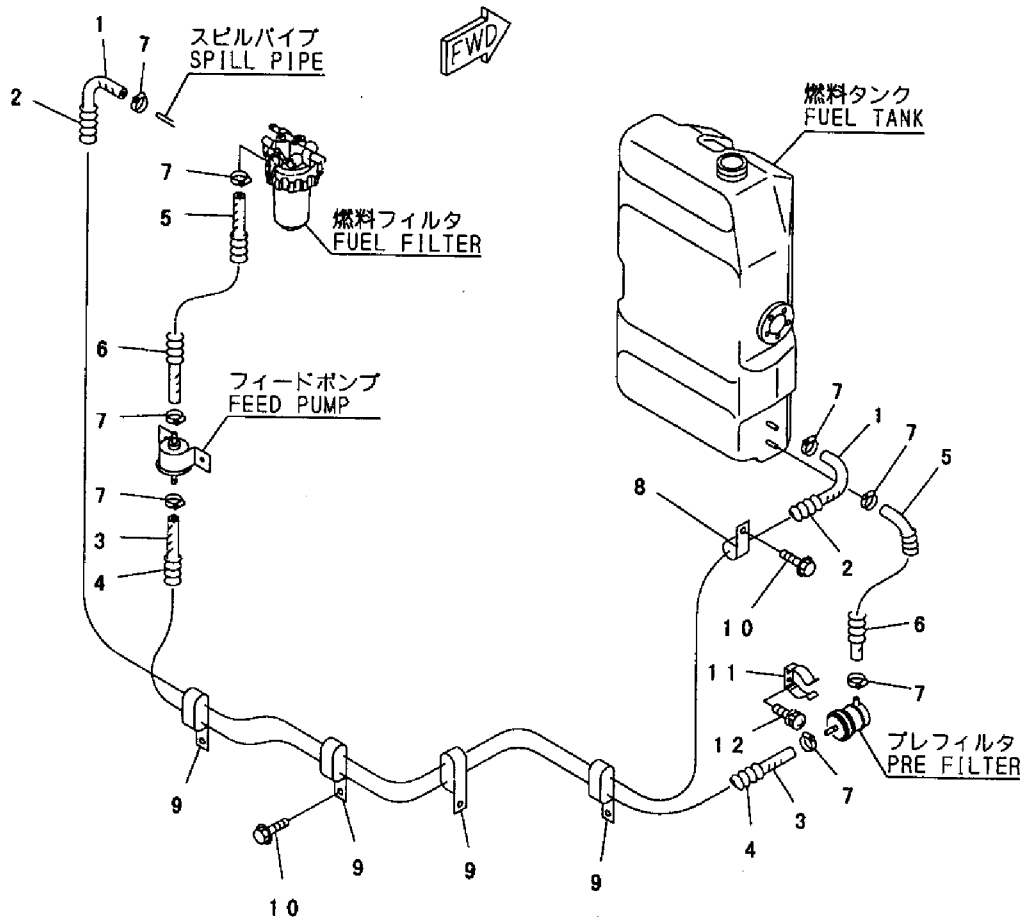


Fig. 16 電装品：2
ELECTRIC PART:2

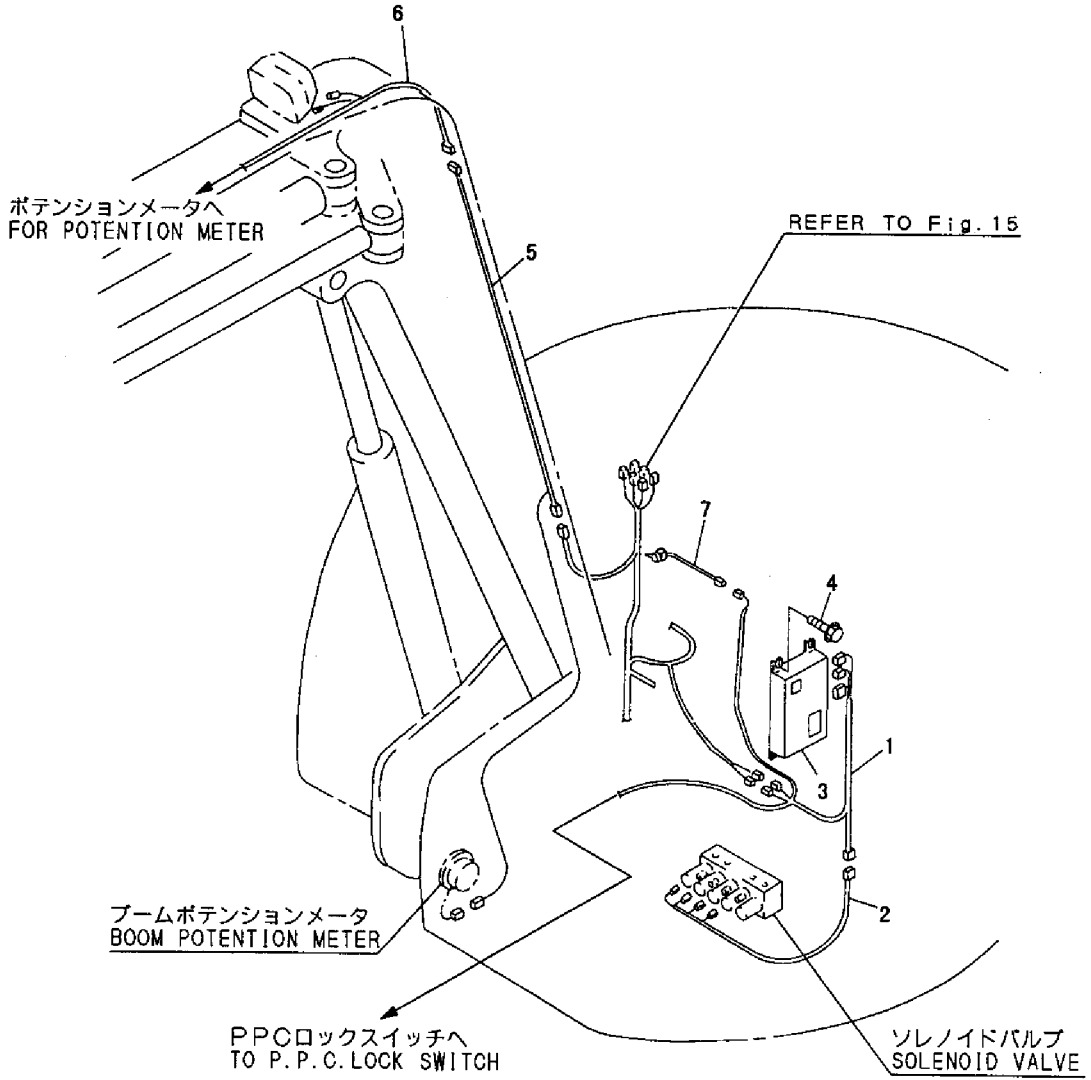


Fig. **26** 油圧配管 (オフセット)
HYD. OIL PIPING (OFFSET)

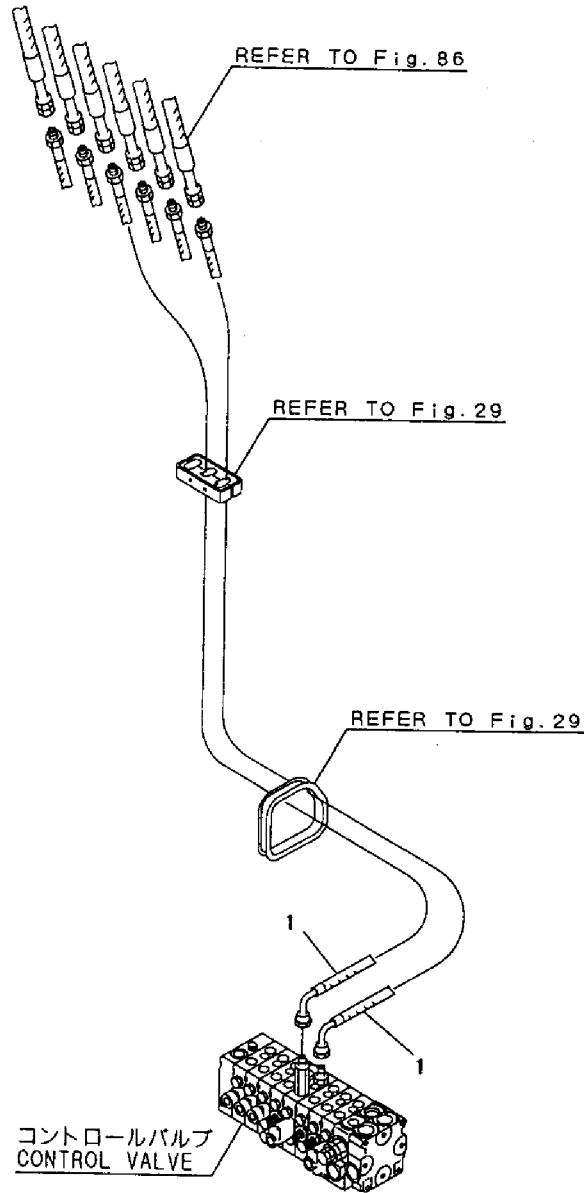


Fig. 36 走行スピードペダル
TRAVEL SPEED PEDAL

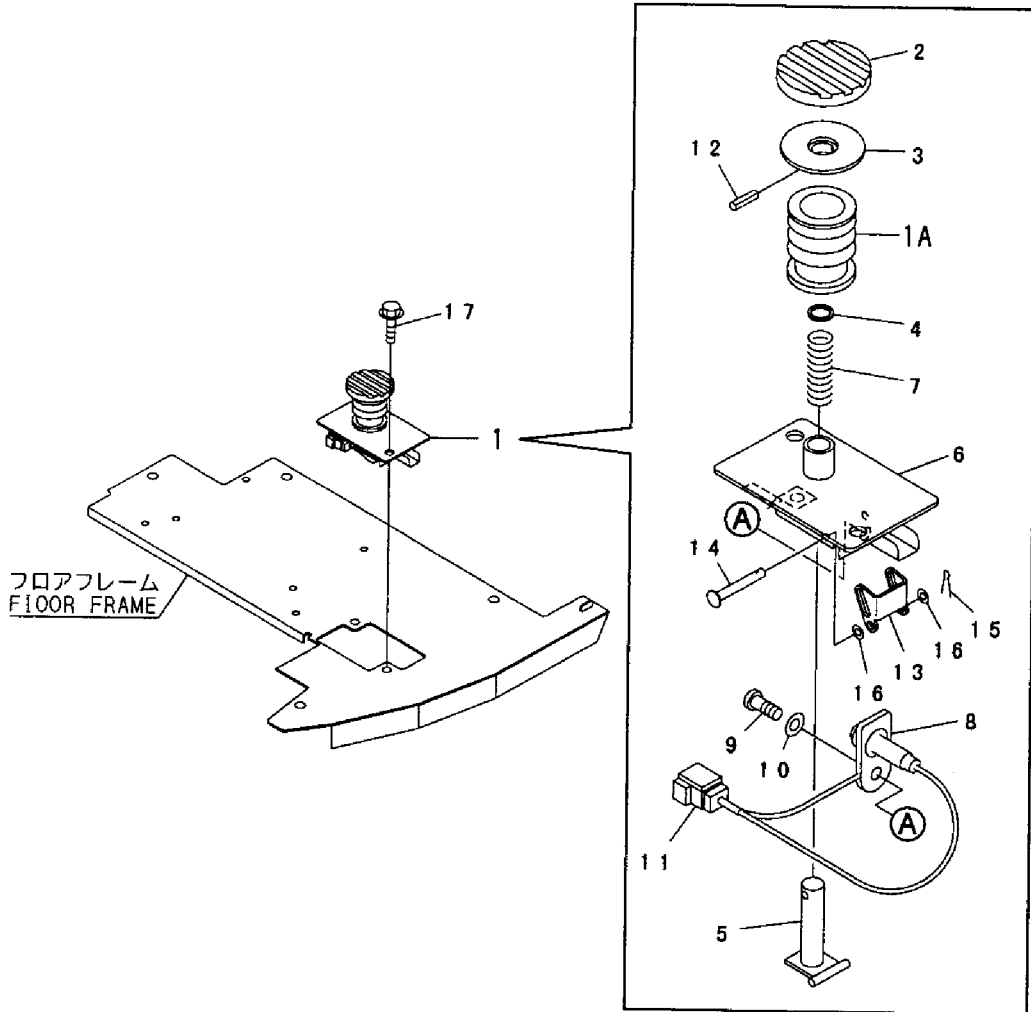


Fig. 41 操縦装置 (作業機)
CONTROL EQUIP. (WORK EQUIPMENT)

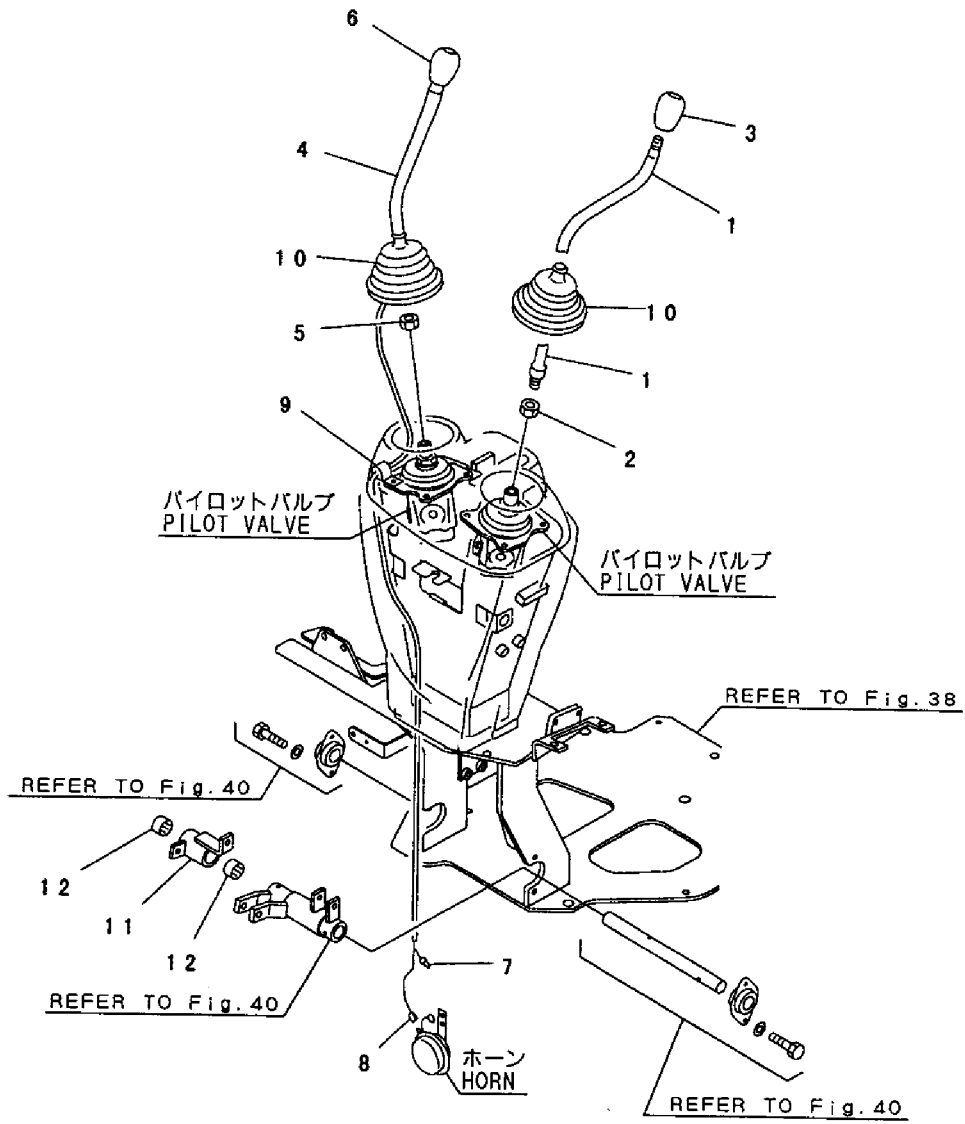


Fig. 46 フィッティング：1 (コントロールバルブ)
FITTING:1 (CONTROL VALVE)

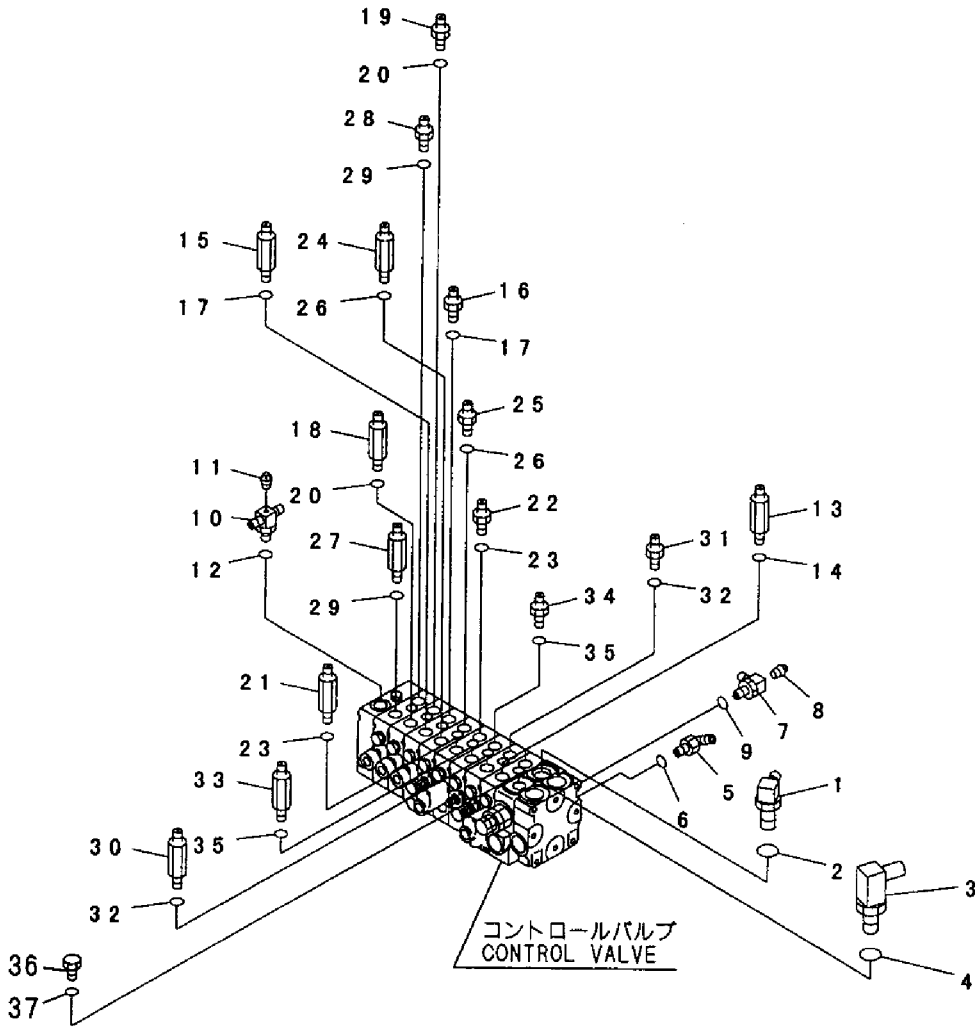


Fig. 51 コントロール配管 (リモコンバルブ: 2)
CONTROL PIPING (REMOTE CONTROL VALVE: 2)

リモコンバルブ
REMOTE CONTROL VALVE

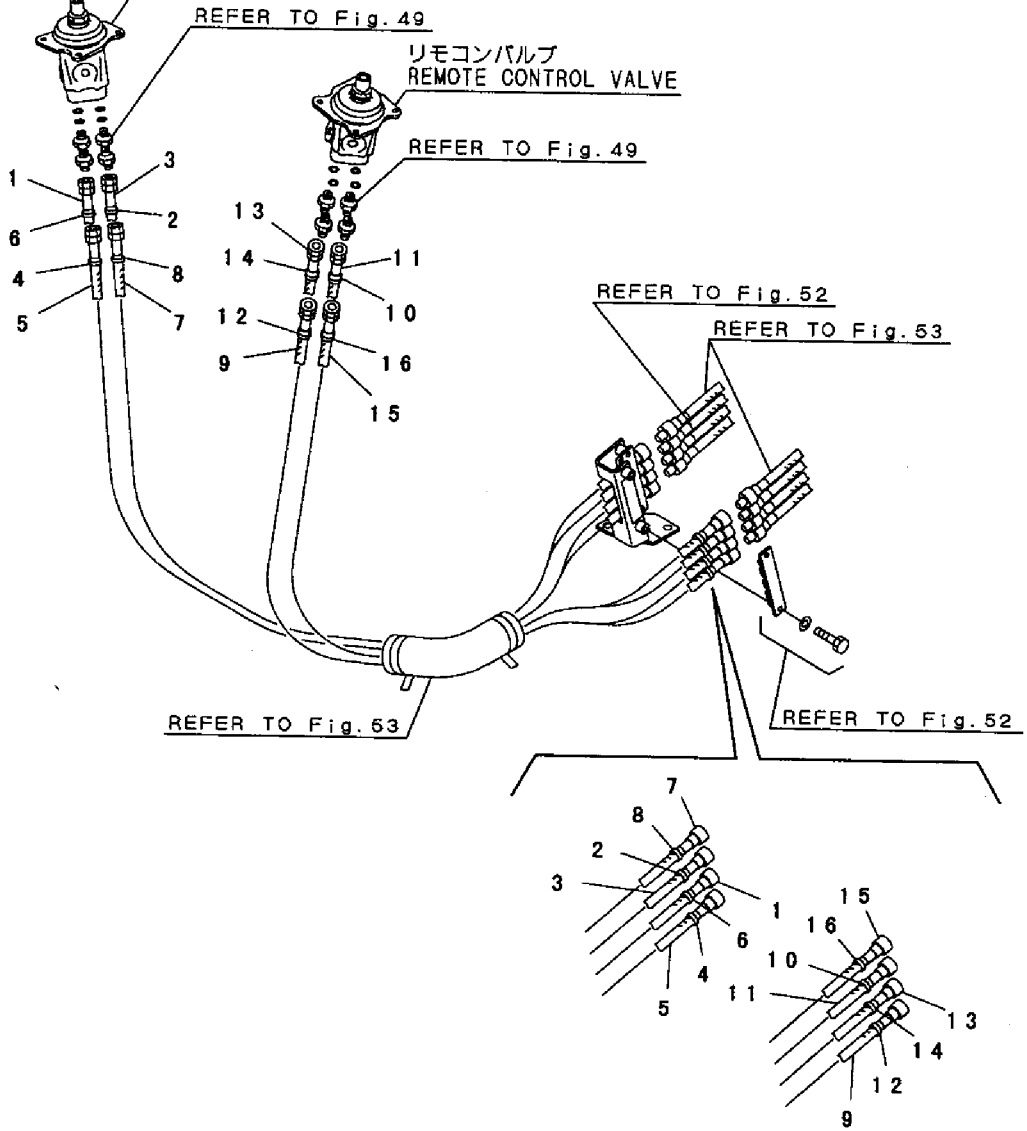


Fig. 56 モニタパネル
MONITOR PANEL

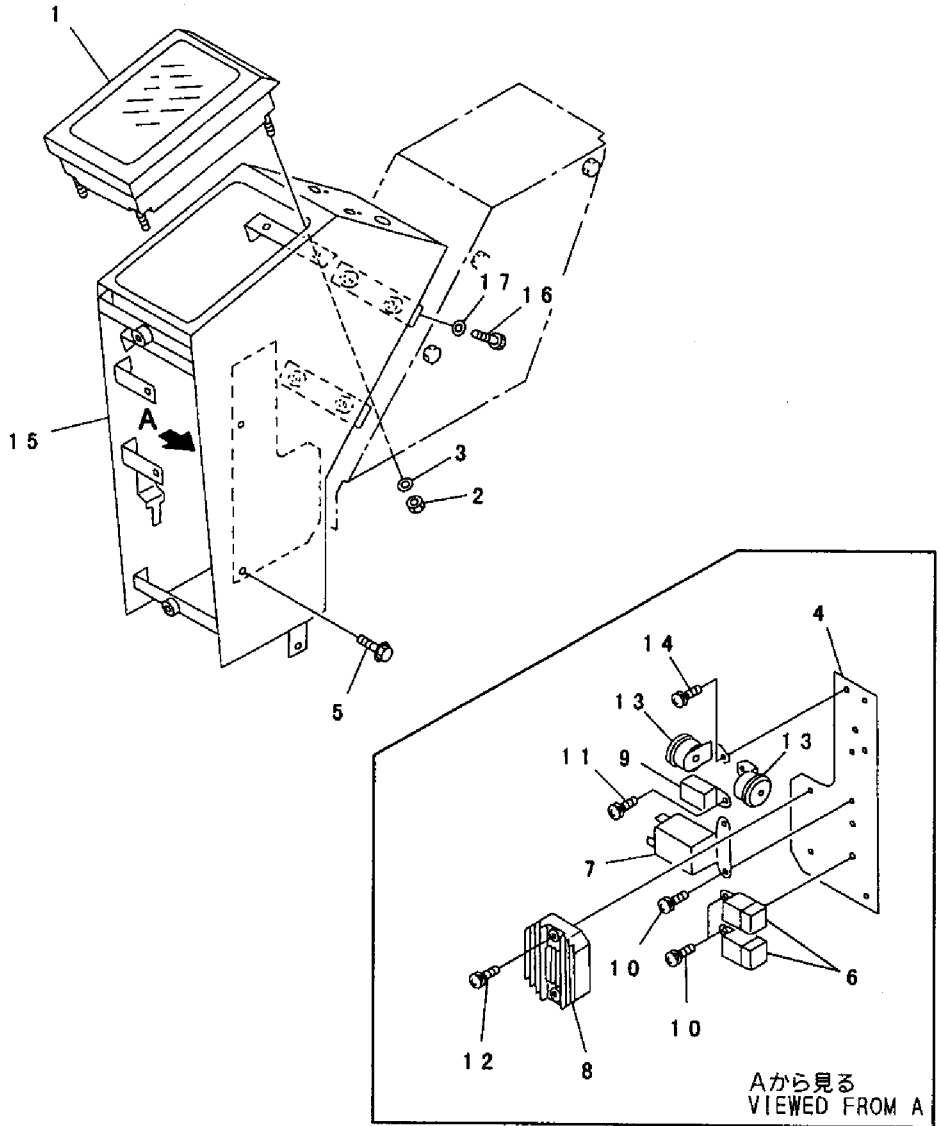
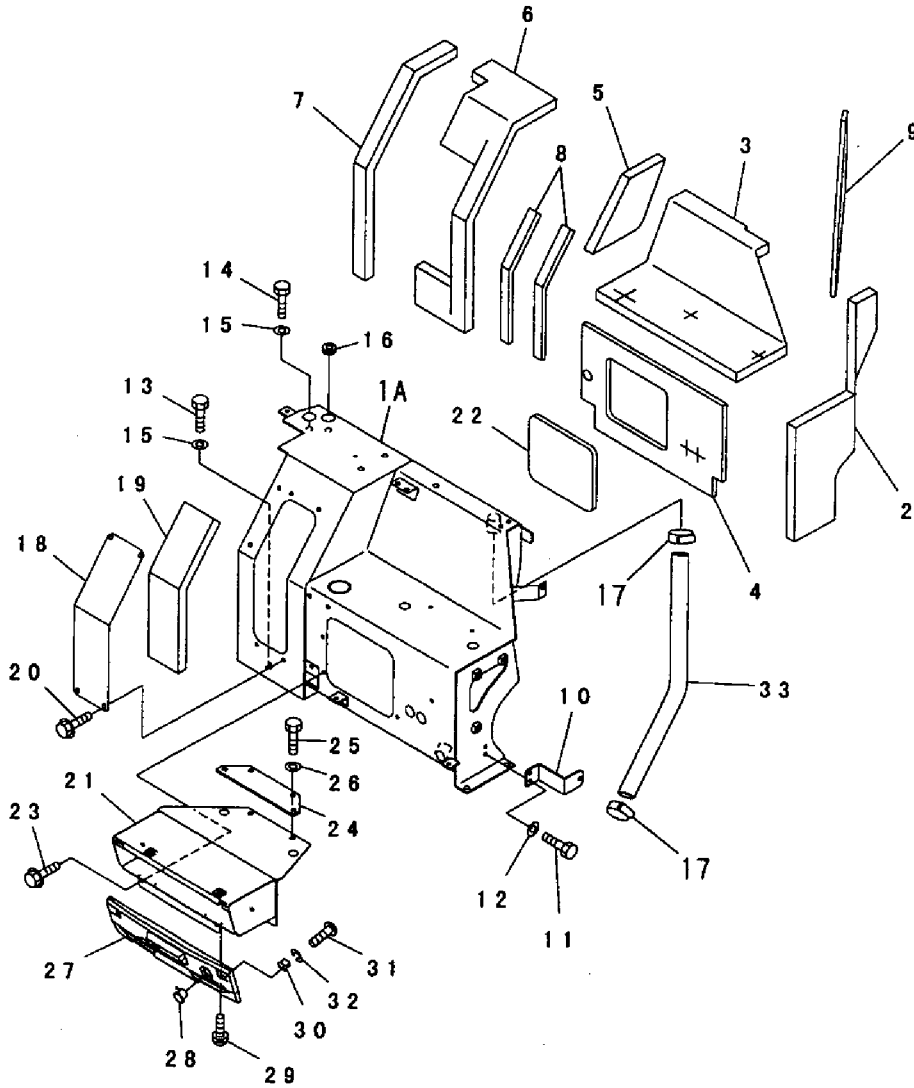


Fig. 61 フレームカバー FRAME COVER

見出しNo. 1は、見出しNo. 1Aから12を含みます。
1 inc. 1A ~ 12



CLICK HERE TO **DOWNLOAD** THE COMPLETE MANUAL

- Thank you very much for reading the preview of the manual.
- You can download the complete manual from: www.heydownloads.com by clicking the link below



- Please note: If there is no response to CLICKING the link, please download this PDF first and then click on it.

CLICK HERE TO **DOWNLOAD** THE COMPLETE MANUAL

Fig. **66** カウンタウエイト
COUNTER WEIGHT

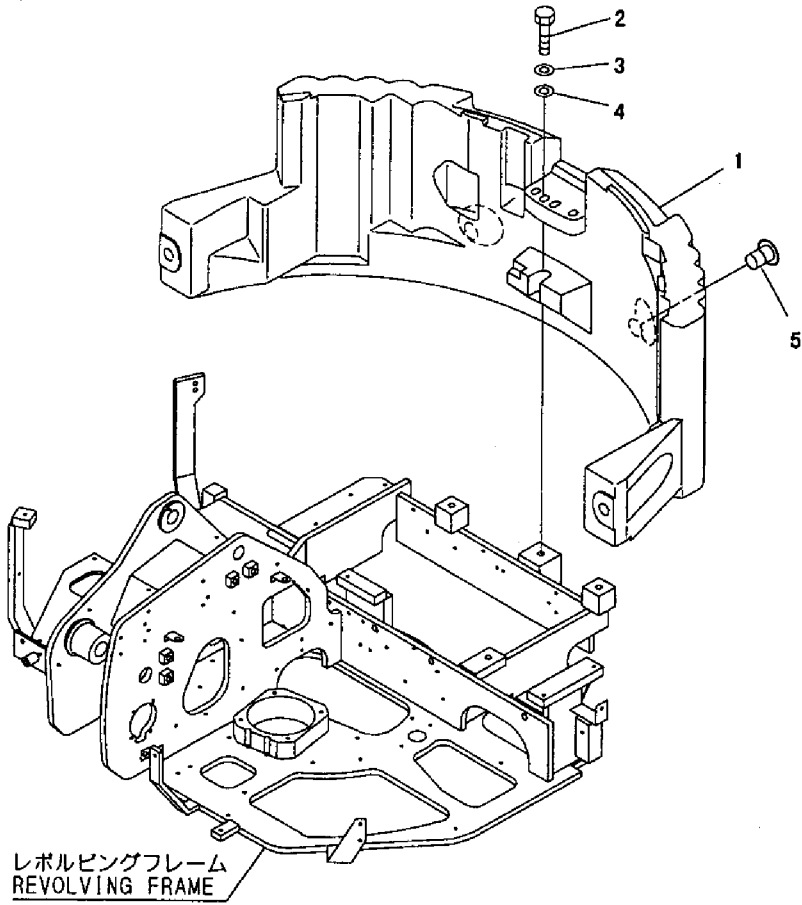


Fig. 71 走行モータ
TRAVEL MOTOR

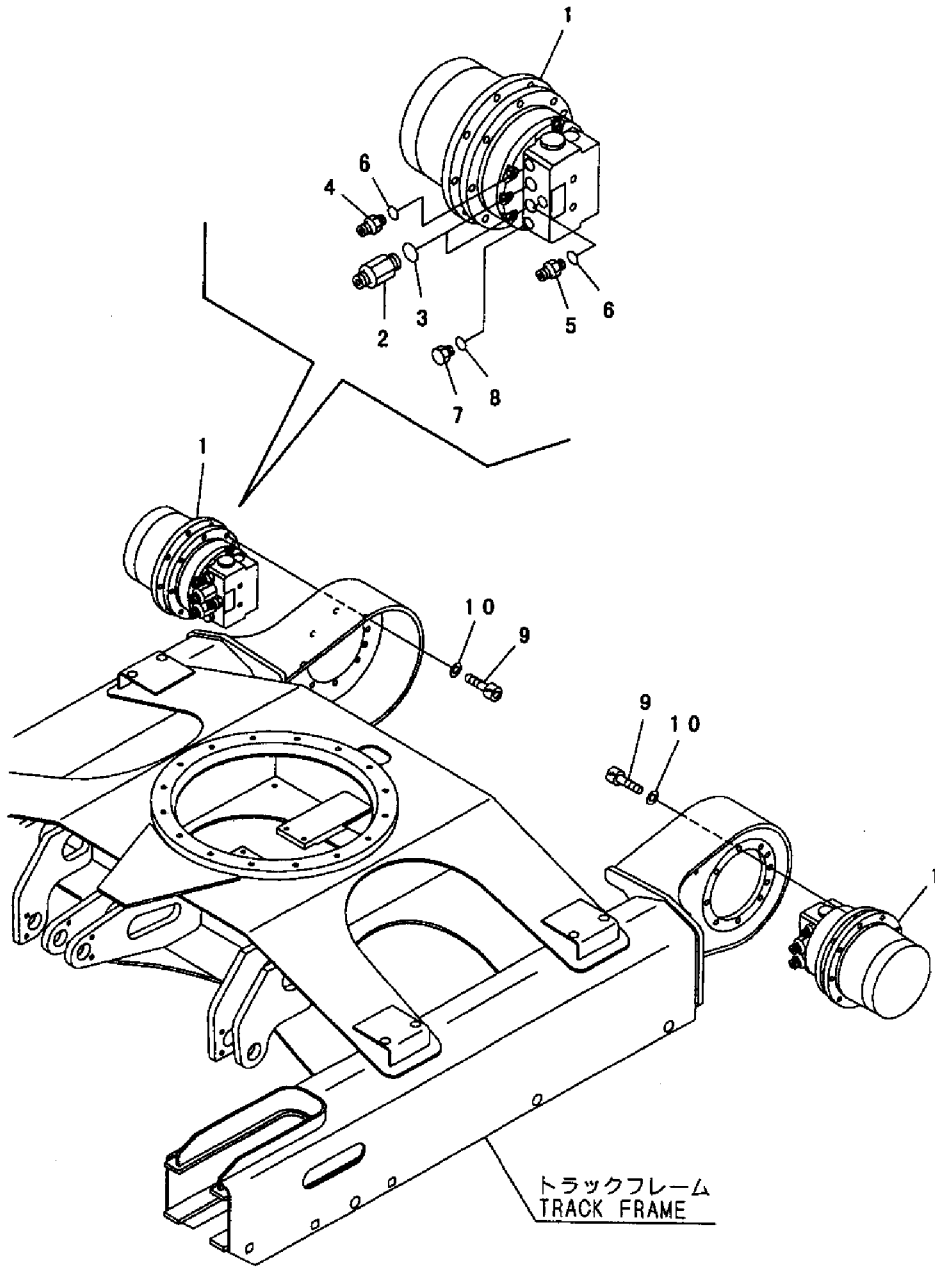


Fig. 76 トラックローラ TRACK ROLLER

見出しNo. 1は、見出しNo. 1Aから8を含みます。
1 inc. 1A ~ 8

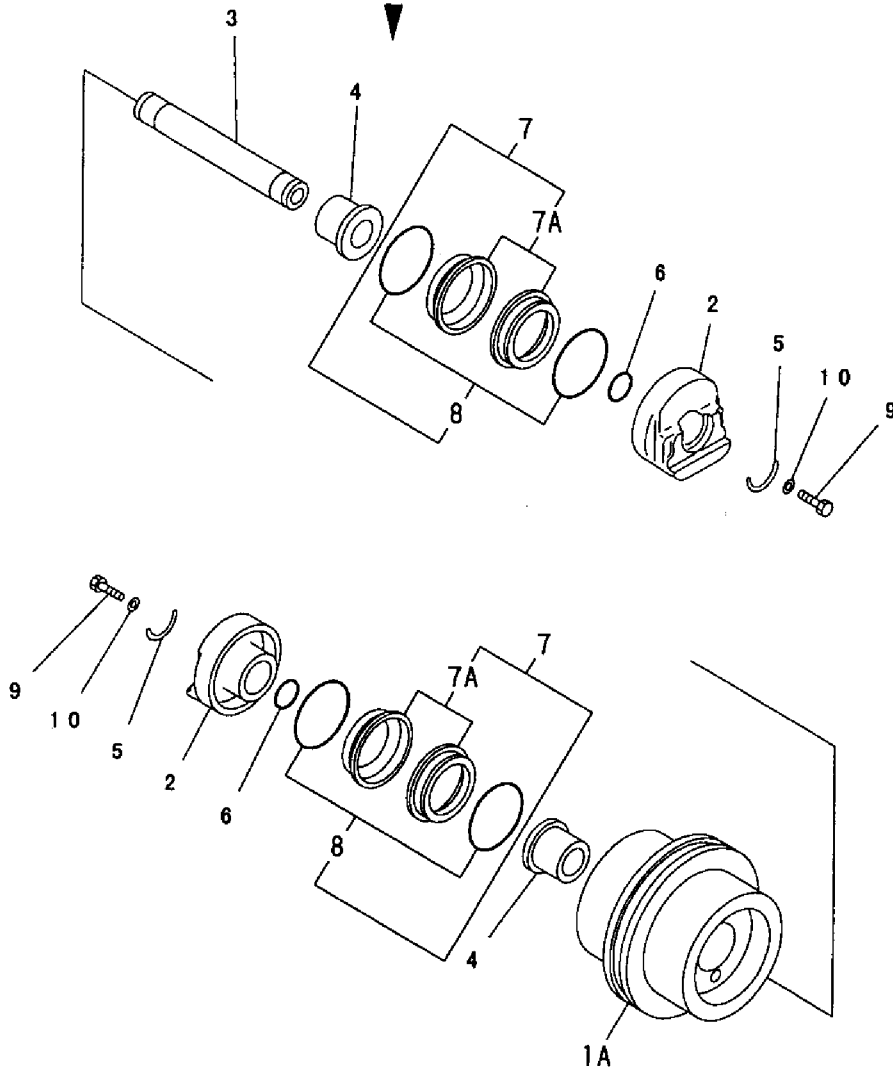


Fig. 81 トラックフレームカバー
TRACK FRAME COVER

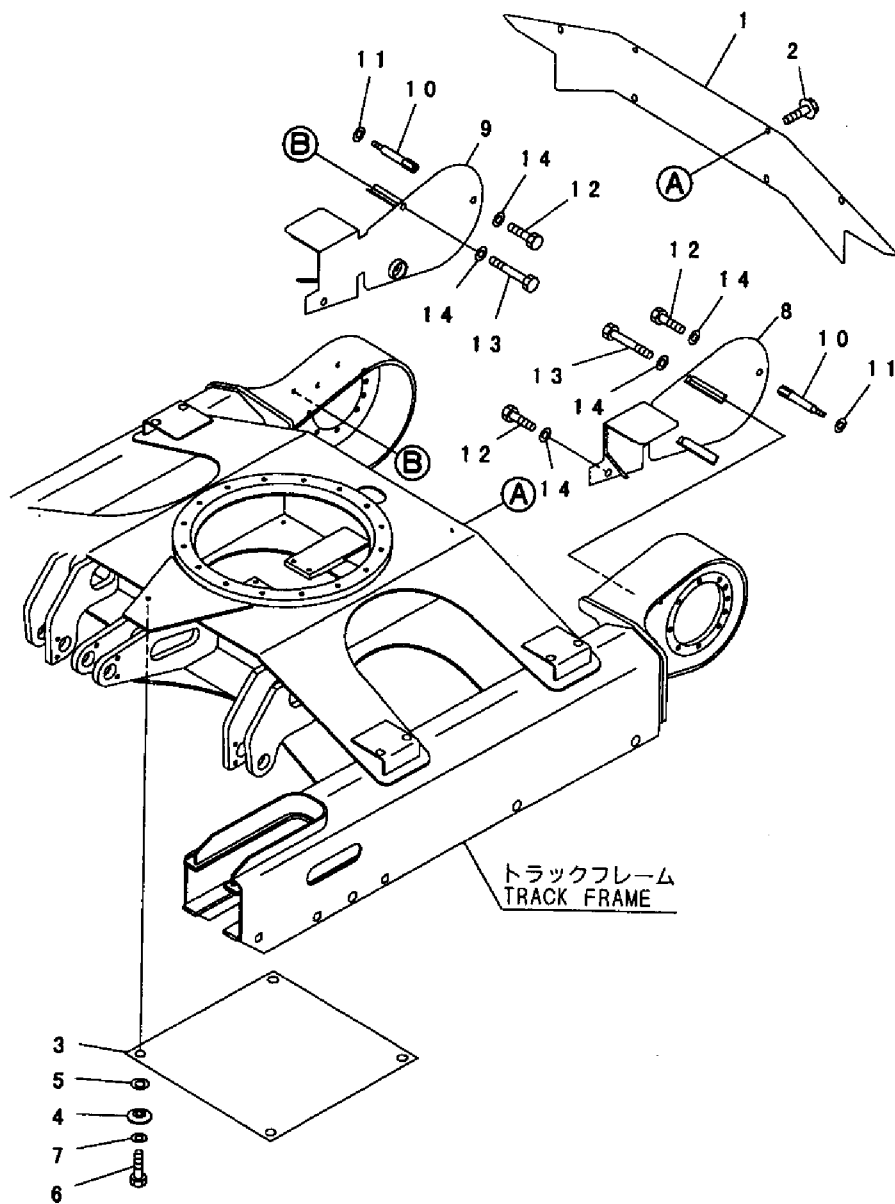


Fig. 86 油圧配管 (アーム、バケット & オフセット)
HYD. OIL PIPING (ARM, BUCKET & OFFSET)

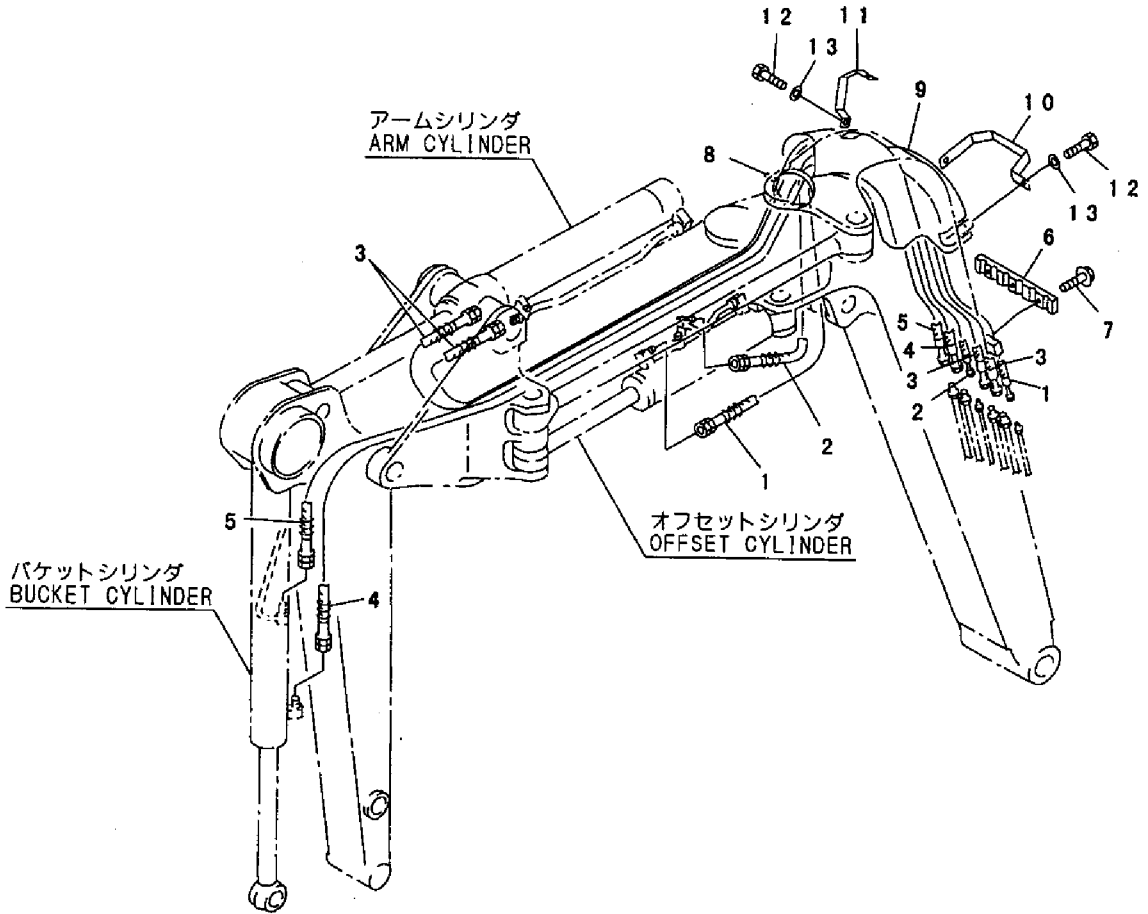


Fig. 91 ワークランプ&ポテンシヨメータ (ブーム)
WORK LAMP & POTENTIOMETER (BOOM)

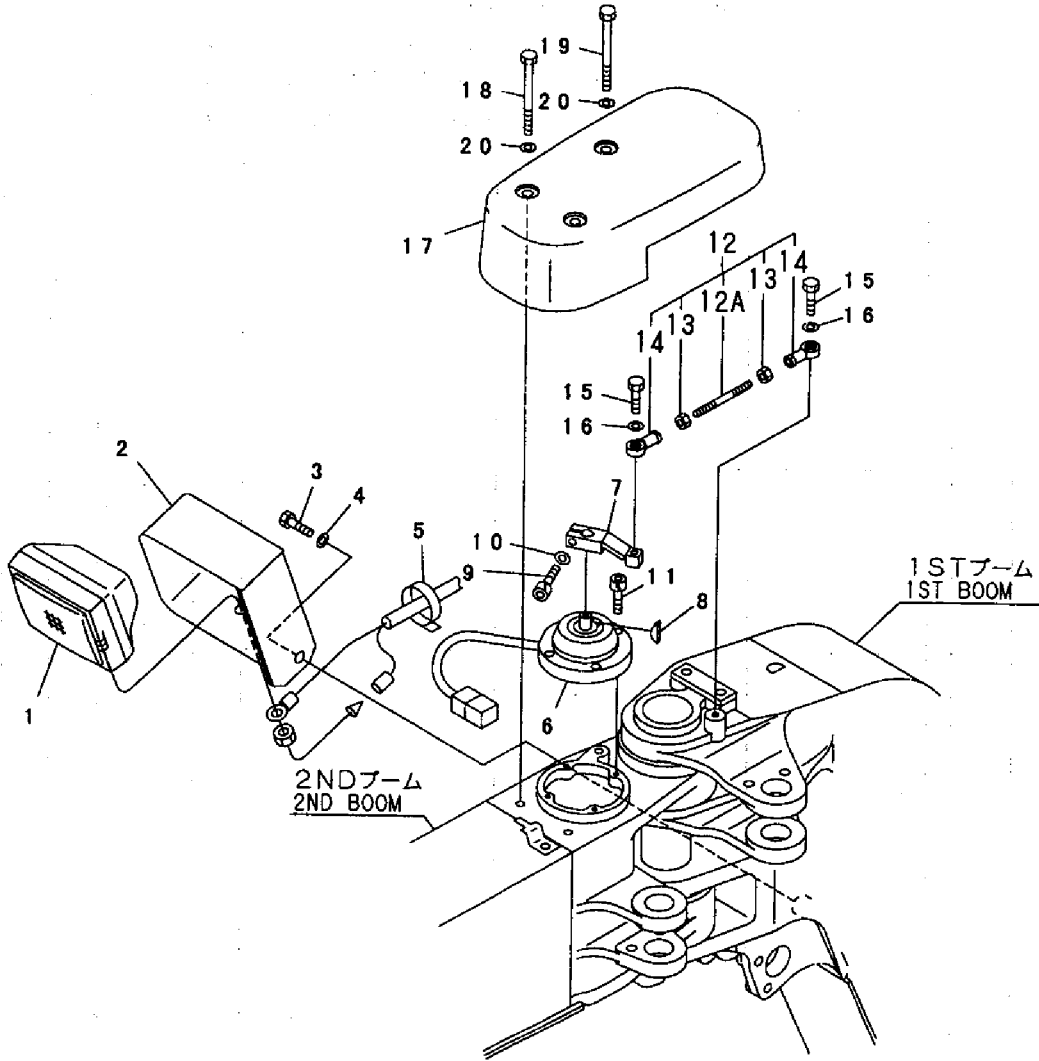


Fig. 96 PIN (アームシリンダ & バケットシリンダ)
PIN (ARM CYLINDER & BUCKET CYLINDER)

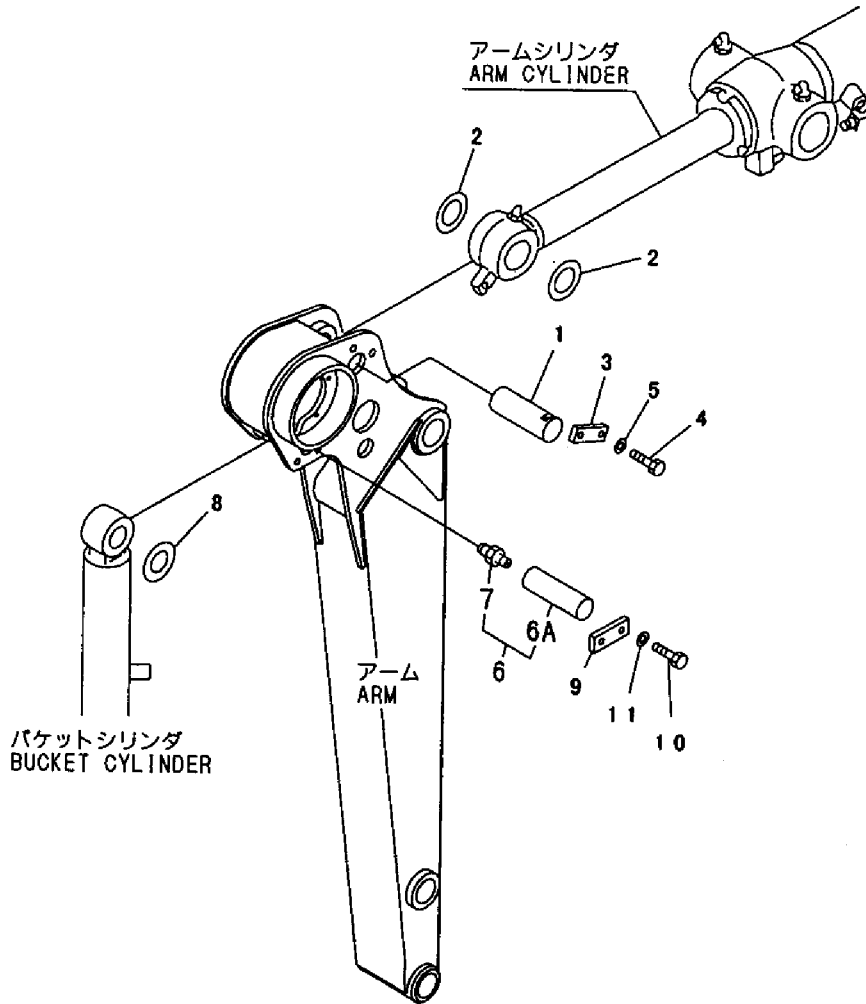


Fig. **101** バケツ0.05m³ (≒0.063m³) 幅500mm
BUCKET 0.05m³ (min 0.063m³) WIDTH 500mm

見出しNo. 1は、見出しNo. (1) から9を含みます。
1 inc. (1) ~ 9

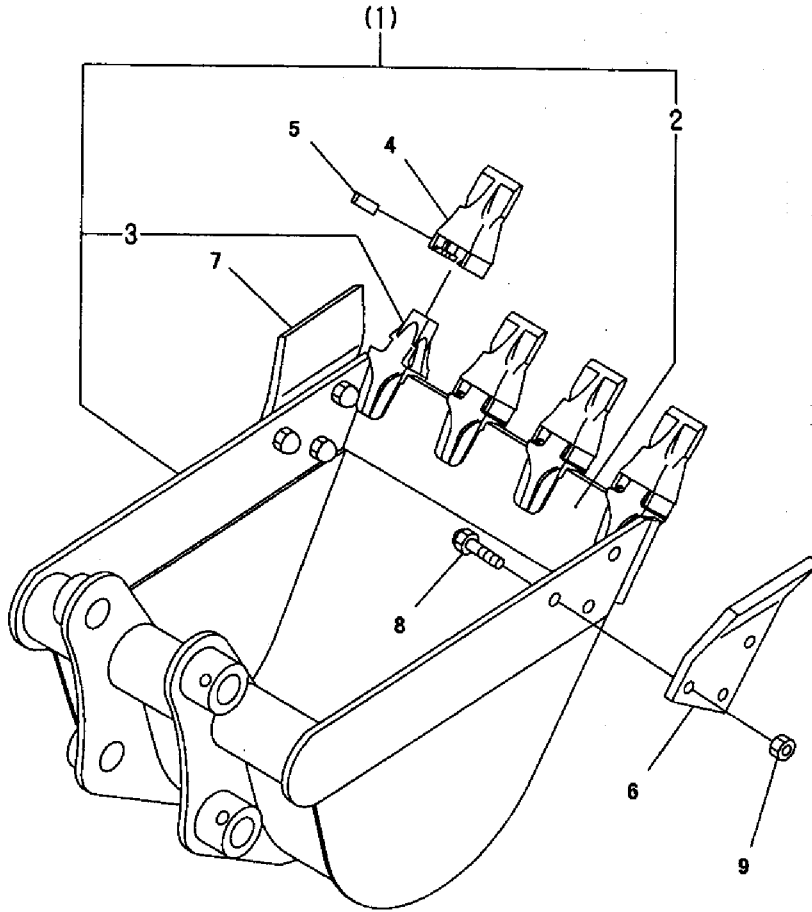


Fig. 106 ブレードシリンダ
BLADE CYLINDER

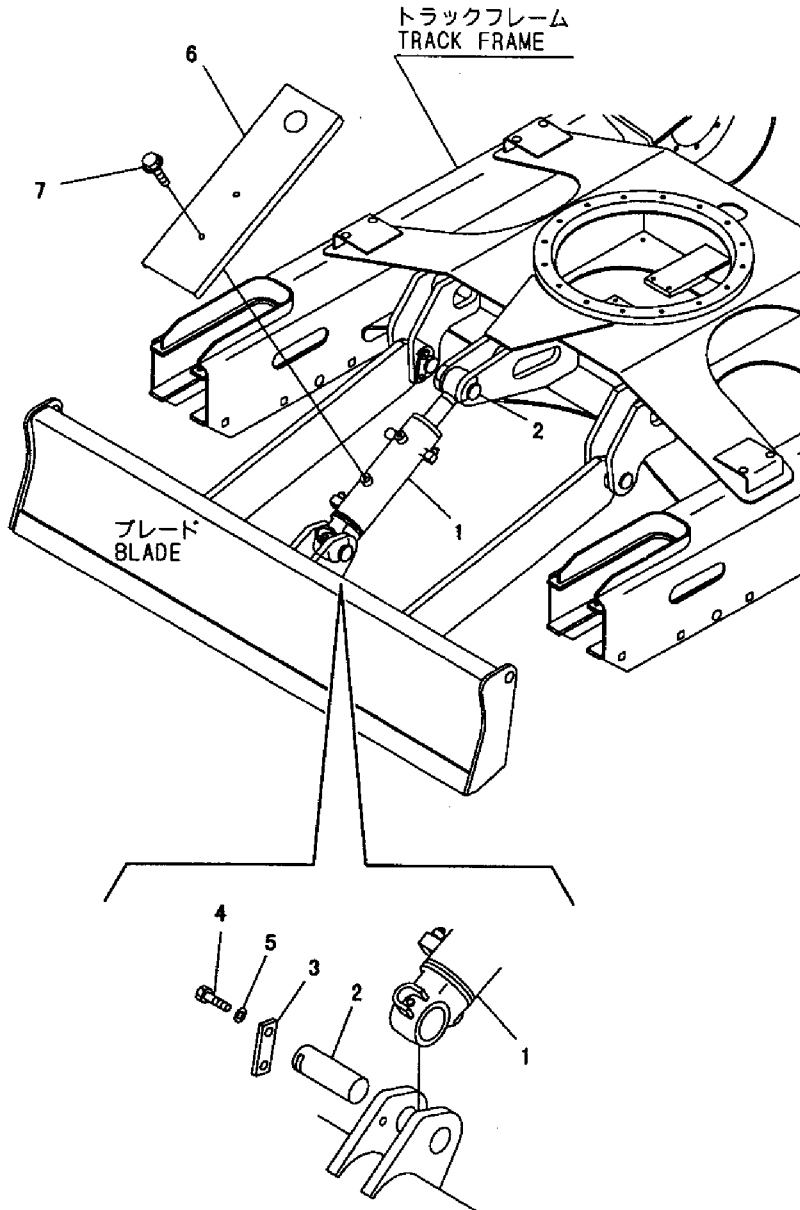


Fig. 111 油圧ポンプ (インナパーツ: 2)
 HYD. OIL PUMP (INNER PART: 2)

油圧ポンプASSY
 HYD. OIL PUMP ASSY
 (182901-21370)
 Fig. 110 REF. No. 1
 inc. Fig. 110 REF. No. (1) ~ 29
 Fig. 111 REF. No. (1) ~ 31

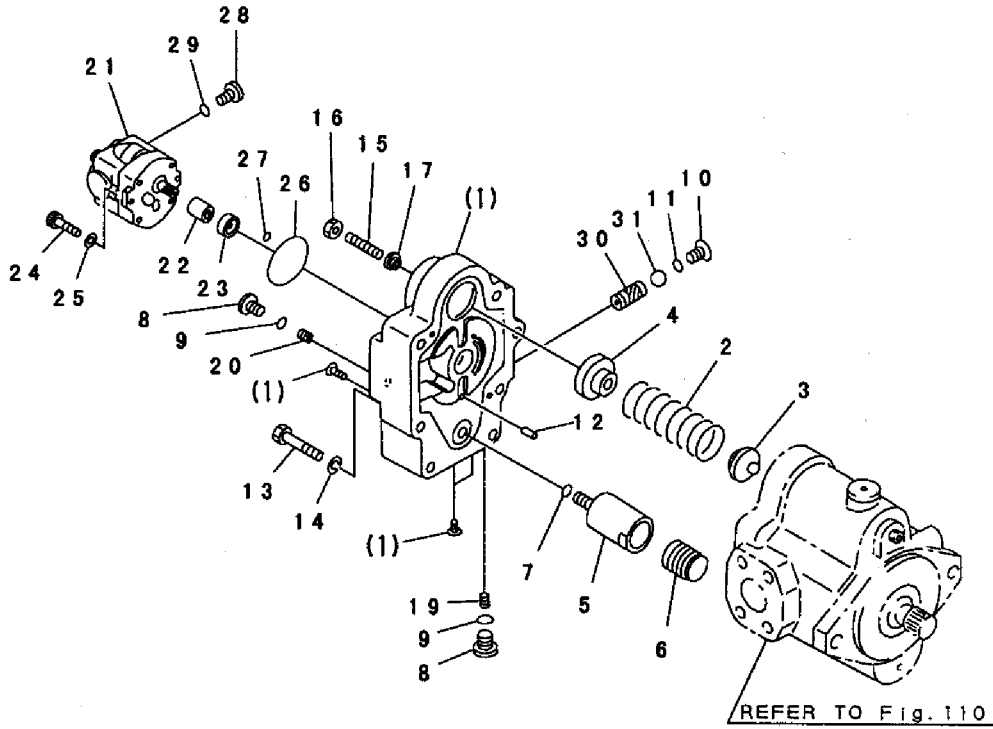
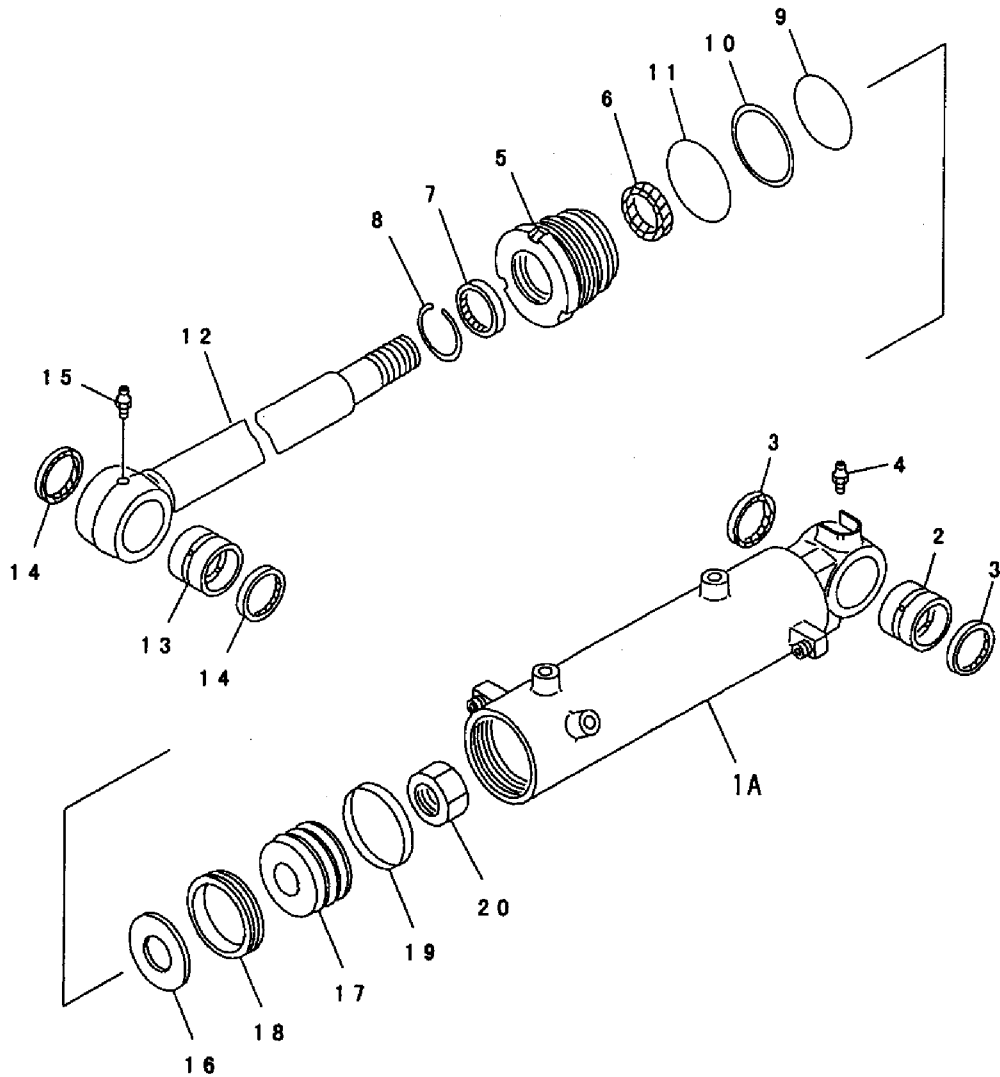


Fig. 116 ブレードシリンダ (インナパーツ) BLADE CYLINDER (INNER PART)

見出しNo. 1は、見出しNo. 1Aから20を含みます。
Inc. 1A ~ 20

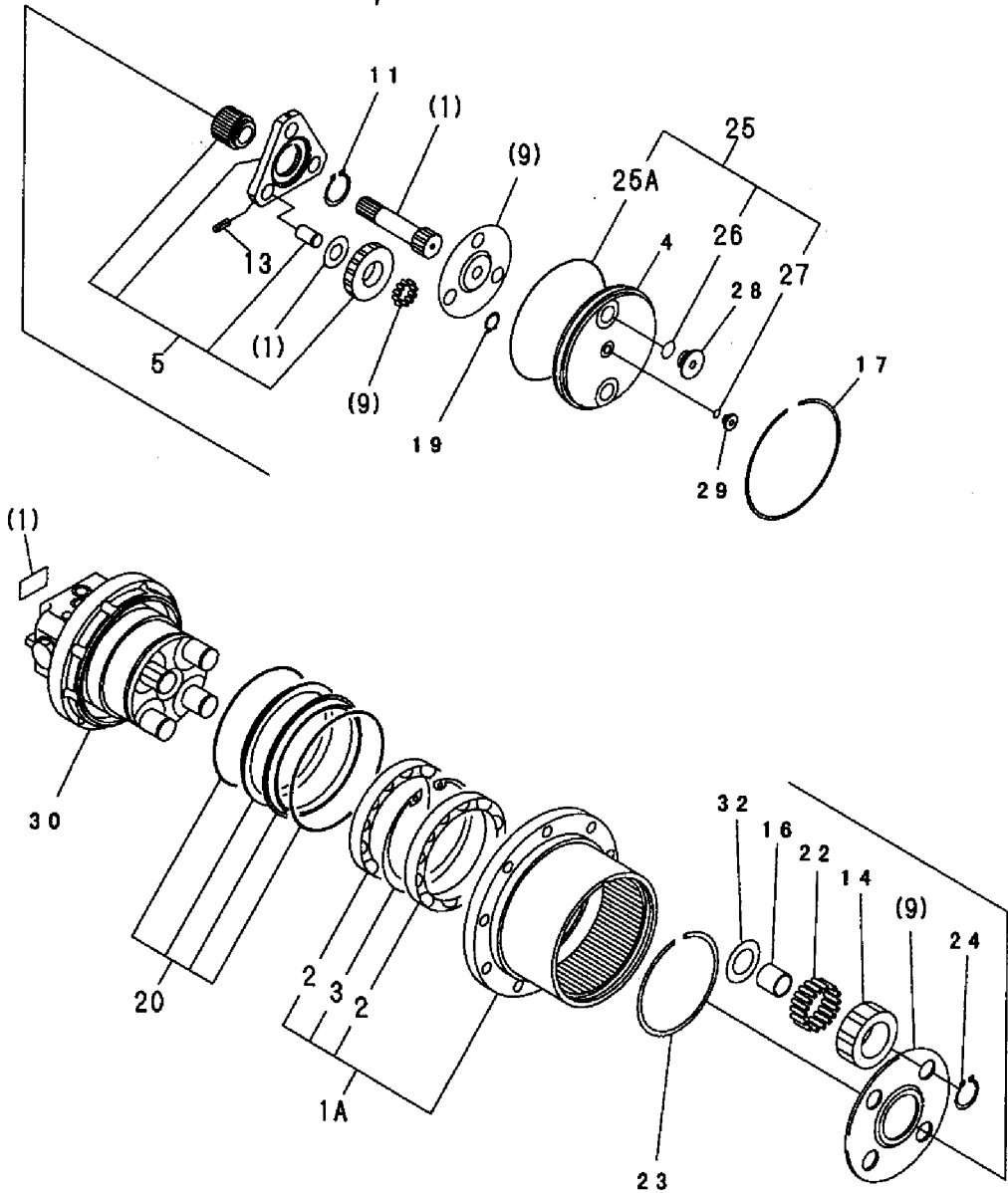


21 サービスキット SERVICE KIT

(見出しNO. 3, 6, 7, 9, 10, 11, 14, 18, 19. を含みます.)
(INC. REF. NO. 3, 6, 7, 9, 10, 11, 14, 18, 19.)

Fig. 121 走行モータ (インナパーツ: 1)
 TRAVEL MOTOR (INNER PART: 1)

見出しNo. 9は、見出しNo. (9) から13を含みます。
 9 inc. (9) ~ 13



走行モータASSY
 TRAVEL MOTOR ASSY
 (182901-21380)

Fig. 121 REF. No. 1
 inc. Fig. 121 REF. No. (1) ~ 32
 Fig. 122 REF. No. 1 ~ 25
 Fig. 123 REF. No. 1 ~ 22

Fig. 126 コントロールバルブ (インナパーツ: 3) CONTROL VALVE (INNER PART: 3)

コントロールバルブASSY
CONTROL VALVE ASSY
(182901-24850)

- Fig. 124 REF. No. 1
inc. Fig. 124 REF. No. (1) ~ 11
Fig. 125 REF. No. 1 ~ 9
Fig. 126 REF. No. 1 ~ 5
Fig. 127 REF. No. 1 ~ 24
Fig. 128 REF. No. (1) ~ 36
Fig. 129 REF. No. (1) ~ 39
Fig. 130 REF. No. 1 ~ 10
Fig. 131 REF. No. 1 ~ 8
Fig. 132 REF. No. 1 ~ 5

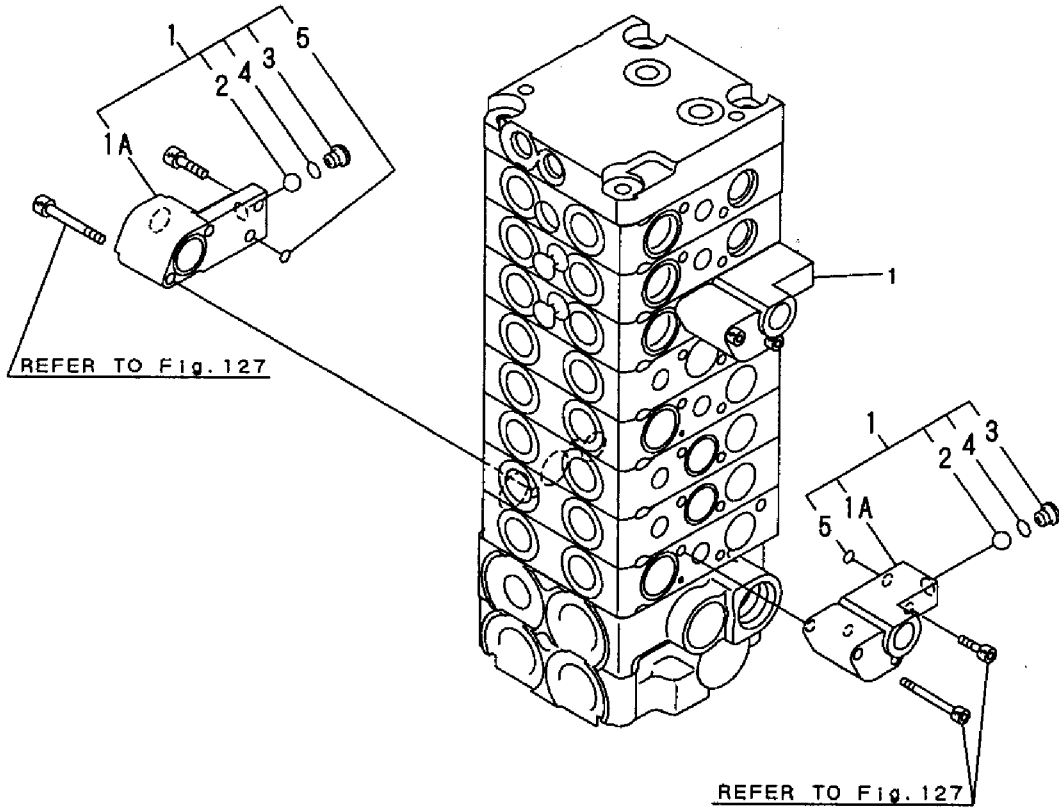
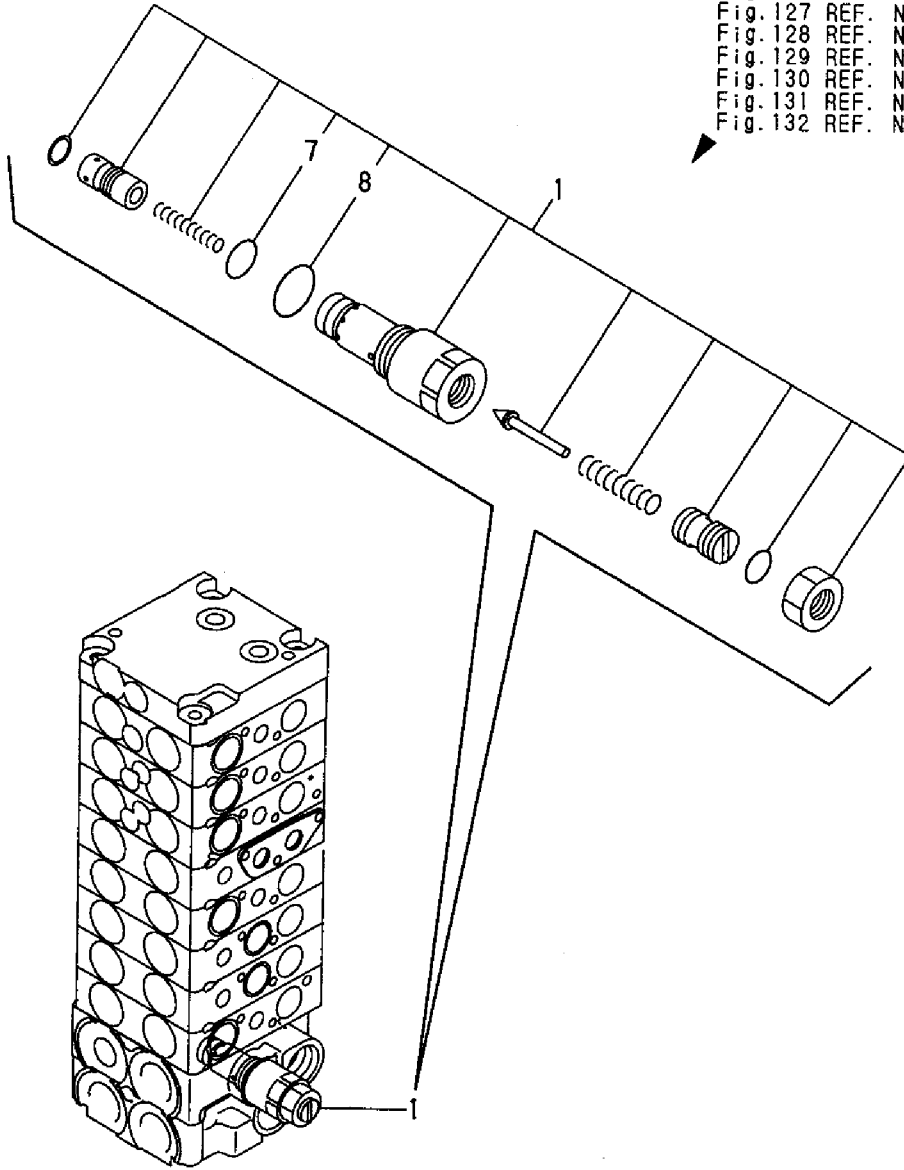


Fig. **131** コントロールバルブ (インナパーツ: 8)
CONTROL VALVE (INNER PART: 8)

コントロールバルブASSY
CONTROL VALVE ASSY
(182901-24850)

- Fig. 124 REF. No. 1
inc. Fig. 124 REF. No. (1) ~ 11
Fig. 125 REF. No. 1 ~ 9
Fig. 126 REF. No. 1 ~ 5
Fig. 127 REF. No. 1 ~ 24
Fig. 128 REF. No. (1) ~ 36
Fig. 129 REF. No. (1) ~ 39
Fig. 130 REF. No. 1 ~ 10
Fig. 131 REF. No. 1 ~ 8
Fig. 132 REF. No. 1 ~ 5



CLICK HERE TO **DOWNLOAD** THE COMPLETE MANUAL

- Thank you very much for reading the preview of the manual.
- You can download the complete manual from: www.heydownloads.com by clicking the link below



- Please note: If there is no response to CLICKING the link, please download this PDF first and then click on it.

CLICK HERE TO **DOWNLOAD** THE COMPLETE MANUAL