

PREFACE

1. This parts catalog covers the parts for crawler backhoe of Europe.

The England specification in the Parts Catalog for B27(England Australia) (Issue No. : 000Y00S3030) has been copied into the Parts Catalog for B27 (Ammann) (Issue No. 000Y00S2890) which will be published as a parts list of European standard specifications. In addition, this parts list containing additional design change will be published in revised addition.

<History>

1ST Edition pub. No. : 000Y00S2890

{B27(AMMANN)} Issued : July, 1989

1ST Edition pub. No. : 000Y00S3030

{B27 (ENGLAND AUSTRALIA)} Issued : March, 1990

2ND Edition pub. No. : 000Y00S2891

{B27(EUROPE)} Issued : April, 1991

2. The Mounted engine of Model 3TN84L-RBS(Q29132B).

3. Color

Color	Munsel No.	Paint Code(16 ℓ)	Spray
YANMAR Saffron Yellow	1.0Y7.5/11	933110-91603	977620-30381
YANMAR Cream White	5.0Y9/1	981101-09614	981101-10140
YANMAR Charcoal Gray	N2	981101-09516	977620-30371

4. As this parts catalog covers the specifications of several countries, the Fig. No. for the applicable countries is shown in the following way.

a) When the applicable figure varies according to the appropriate country(s).

Example 1 :

COUNTRY	UK	AY	EP
Fig. No.	—	19	18

← Abbreviation of the country concerned

UK : United Kingdom Model

AY : Ammann Model

EP : All Eurpe Model

↑
Fig. number on the page on which the country concerned is shown

In case of Example 1 above, AY(Ammann Model) is shown in Fig. 19 and EP(All Eurpe Model) in Fig. 19. UK(United Kingdom Model) is not applicable.

CLICK HERE TO **DOWNLOAD** THE COMPLETE MANUAL

- Thank you very much for reading the preview of the manual.
- You can download the complete manual from: www.heydownloads.com by clicking the link below



- Please note: If there is no response to CLICKING the link, please download this PDF first and then click on it.

CLICK HERE TO **DOWNLOAD** THE COMPLETE MANUAL

Fig. 8 エアクリーナ
AIR CLEANER

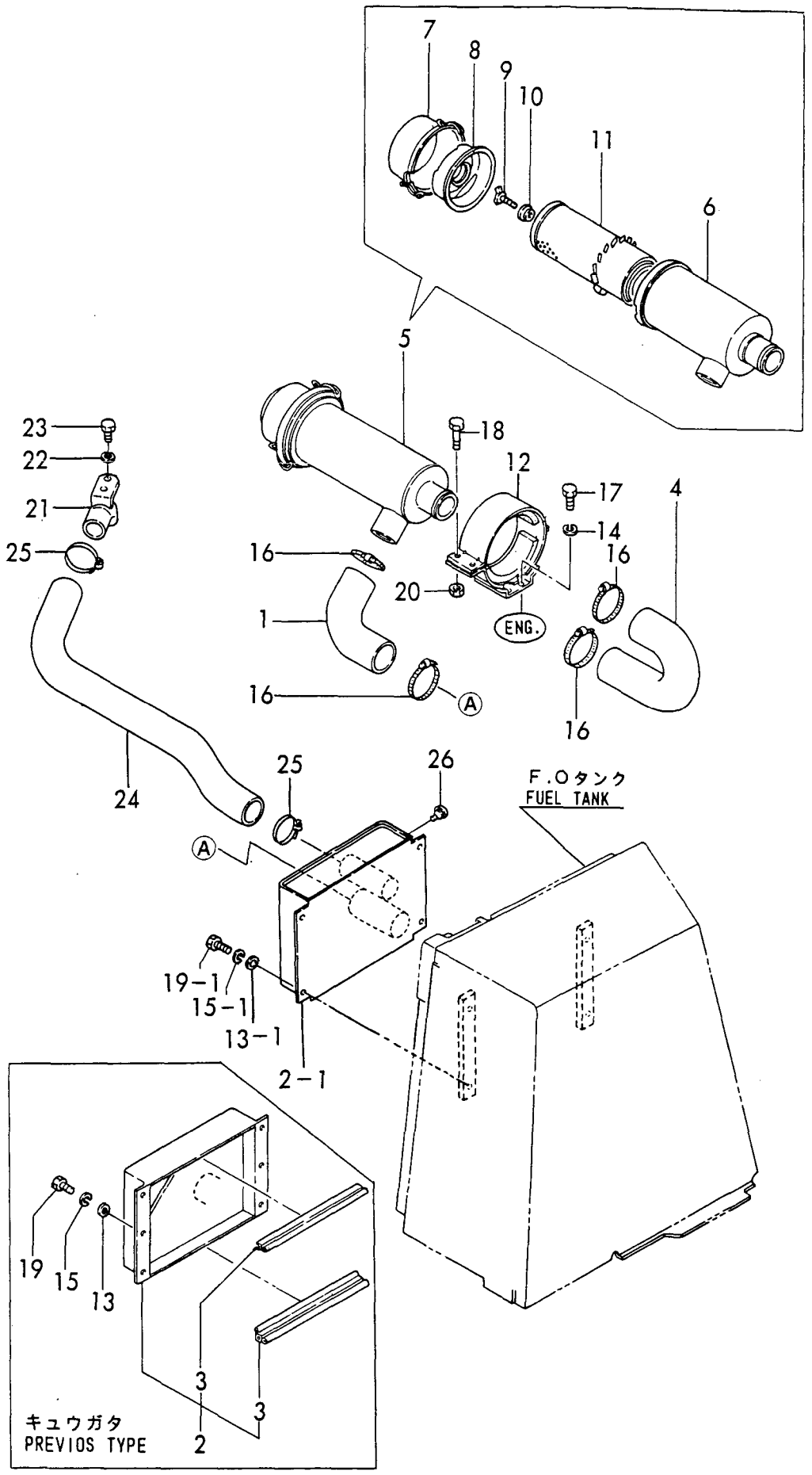
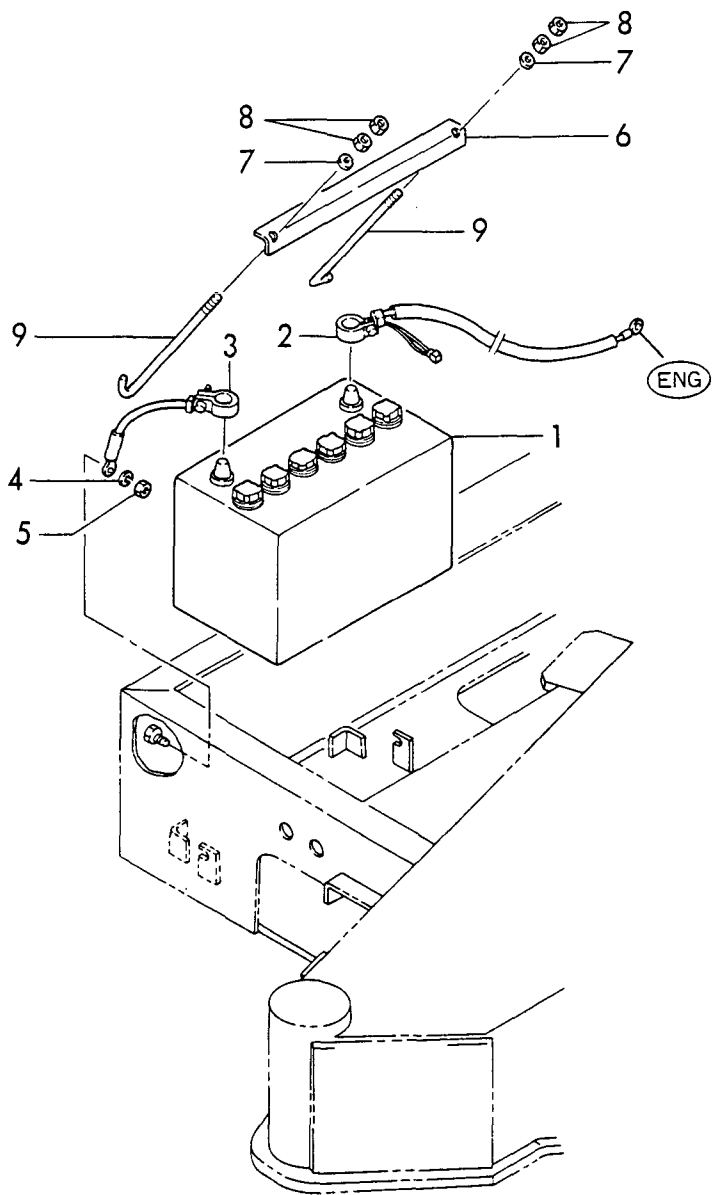


Fig.

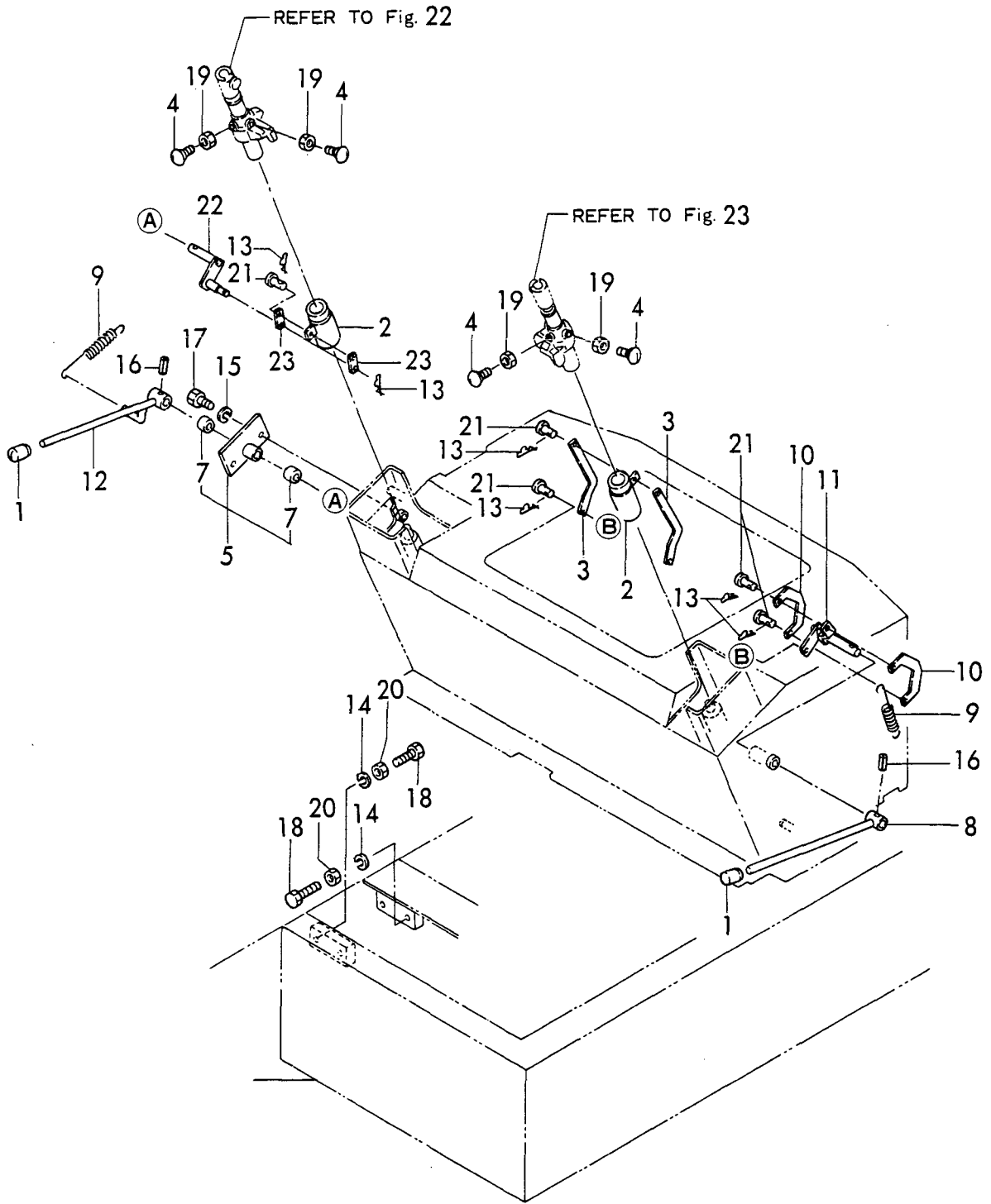
13

バッテリー
BATTERY



1,1,,772142-17810,, "RADIO ASY",1,,,,,,,,,,,,,,,,,
2,2,,172119-16590,, "LEAD WIRE",1,,,,,,,,,,,,,,,,,
3,2,,172122-16590,, "BAND 200F",10,,,,,,,,,,,,,,,,,
4,2,,172122-16680,, "CONNECTOR",1,,,,,,,,,,,,,,,,,
5,2,,172135-17140,, "BRACKET (B)",1,,,,,,,,,,,,,,,,,
6,2,,172119-17150,, "AM-FM RADIO 5PB",1,,,,,,,,,,,,,,,,,
7,2,,172112-17171,, "SPEAKER (SPA-413)",1,,,,,,,,,,,,,,,,,
8,2,,172112-17190,, "ANTENNA (NCP-314)",1,,,,,,,,,,,,,,,,,
9,2,,172135-17210,, "LEAD WIRE, ANTENNA",1,,,,,,,,,,,,,,,,,
10,2,,172142-17850,, "BRACKET, RADIO",1,,,,,,,,,,,,,,,,,
11,2,,172142-17880,, "PLATE,RADIO",1,,,,,,,,,,,,,,,,,
12,2,,172142-17890,, "LEAD WIRE,RADIO",1,,,,,,,,,,,,,,,,,
13,2,,172112-69300,, "GROMMET 22X2",1,,,,,,,,,,,,,,,,,
14,2,,22857-400120,, "SCREW 4X12",10,,,,,,,,,,,,,,,,,
15,2,,22857-500120,, "SCREW 5X12",2,,,,,,,,,,,,,,,,,
16,2,,26023-050122,, "SCREW M 5X 12",2,,,,,,,,,,,,,,,,,
17,2,,26023-060122,, "SCREW M 6X 12",5,,,,,,,,,,,,,,,,,
18,2,,26557-040122,, "SCREW M 4X 12,PAN HD",2,,,,,,,,,,,,,,,,,
19,2,,933168-56000,, "GROMMET 17X19",1,,,,,,,,,,,,,,,,,

Fig. **27** サギョウレバーストッパ
OPERATION LEVER STOPPER



CLICK HERE TO **DOWNLOAD** THE COMPLETE MANUAL

- Thank you very much for reading the preview of the manual.
- You can download the complete manual from: www.heydownloads.com by clicking the link below



- Please note: If there is no response to CLICKING the link, please download this PDF first and then click on it.

CLICK HERE TO **DOWNLOAD** THE COMPLETE MANUAL

48,1,,22372-060000,, "SNAP PIN
6" , , , , 4,4,W, , , , , , , , 72148104,*1990.11,72148104,*1990.11,I
49,1,,26116-080162,, "BOLT M 8X 16
PLATED" , , , , 4,4,W, , , , , , , , 72148104,*1990.11,72148104,*1990.11,I

Fig. **36** ブームシリンダ(UZ)(キャノピ)
 BOOM CYLINDER (UZ) (CANOPY SPEC.)

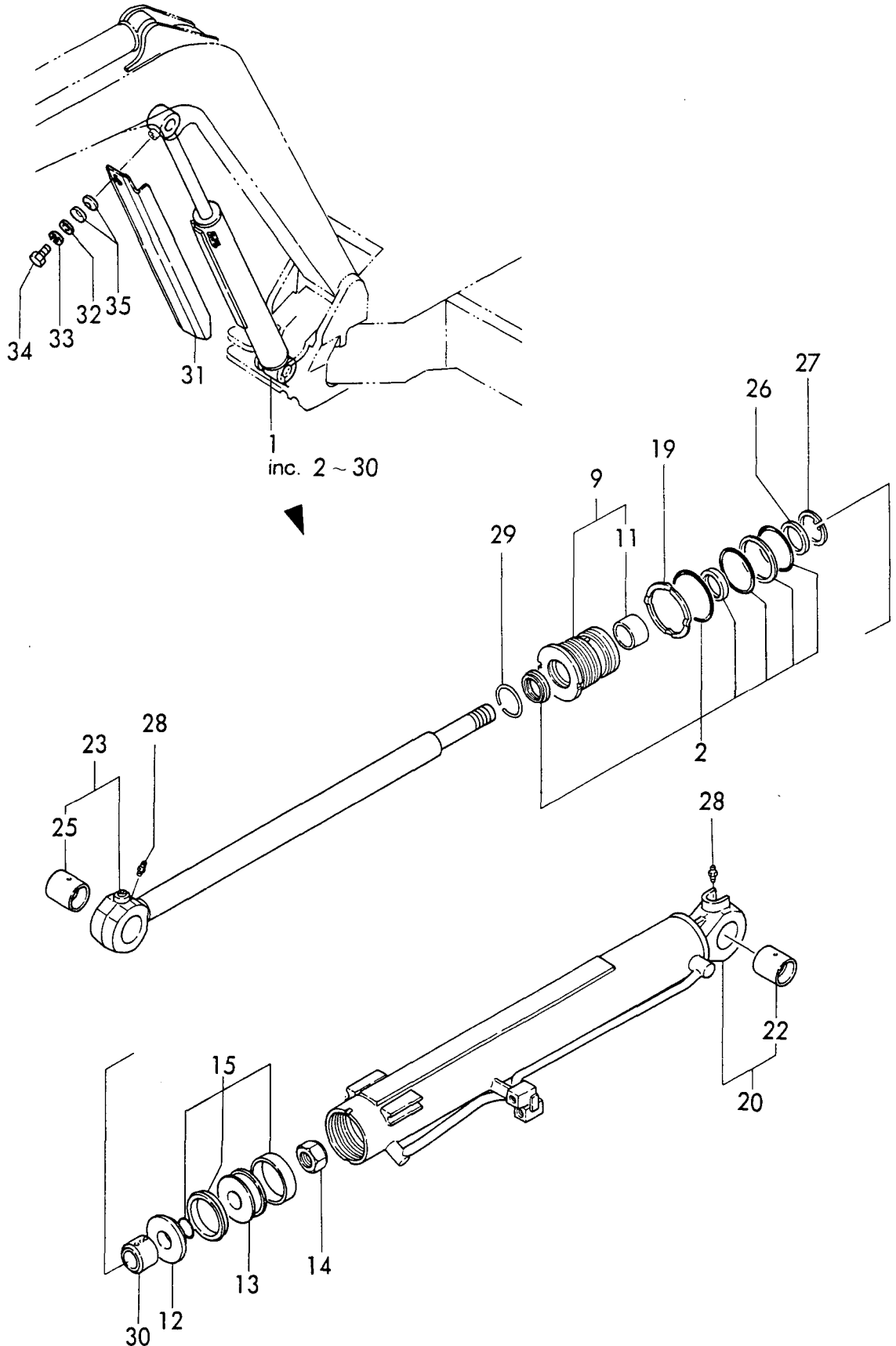


Fig. 41 ポンプ & ジクツギテ
 HYD. OIL PUMP & JOINT

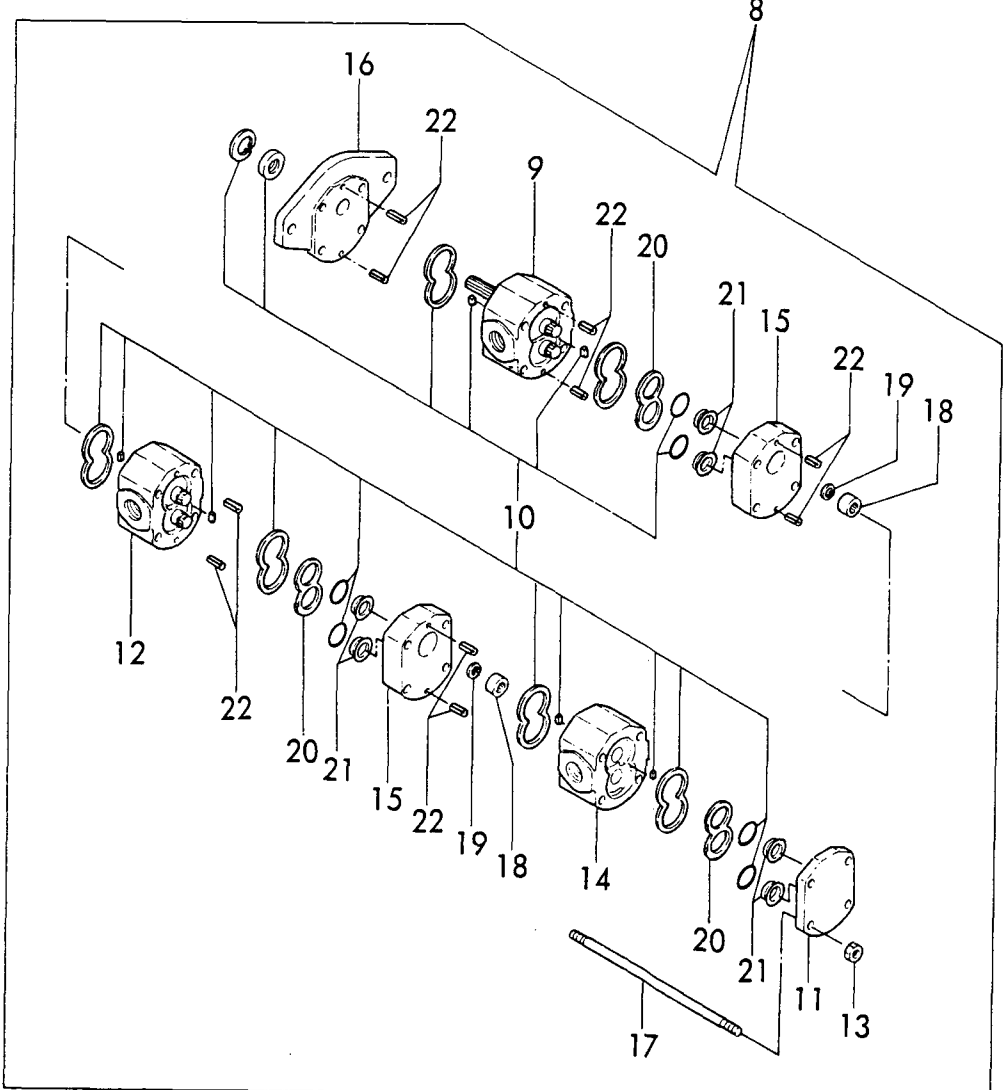
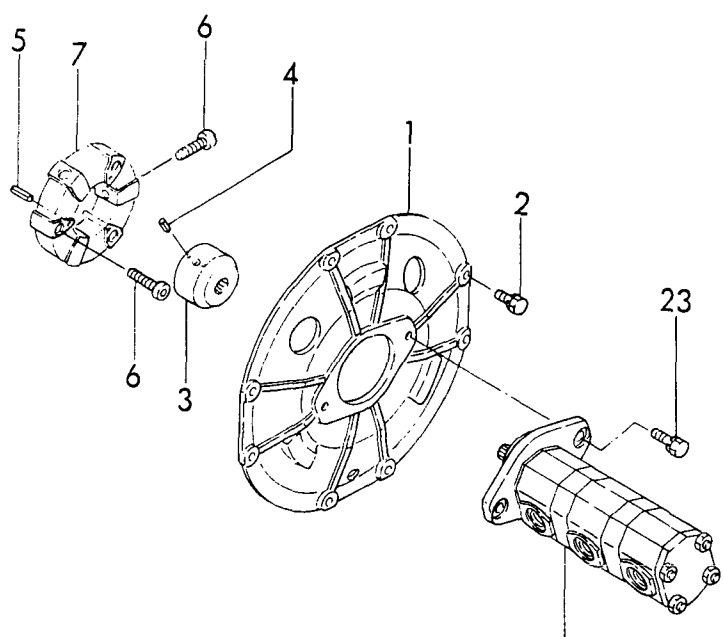
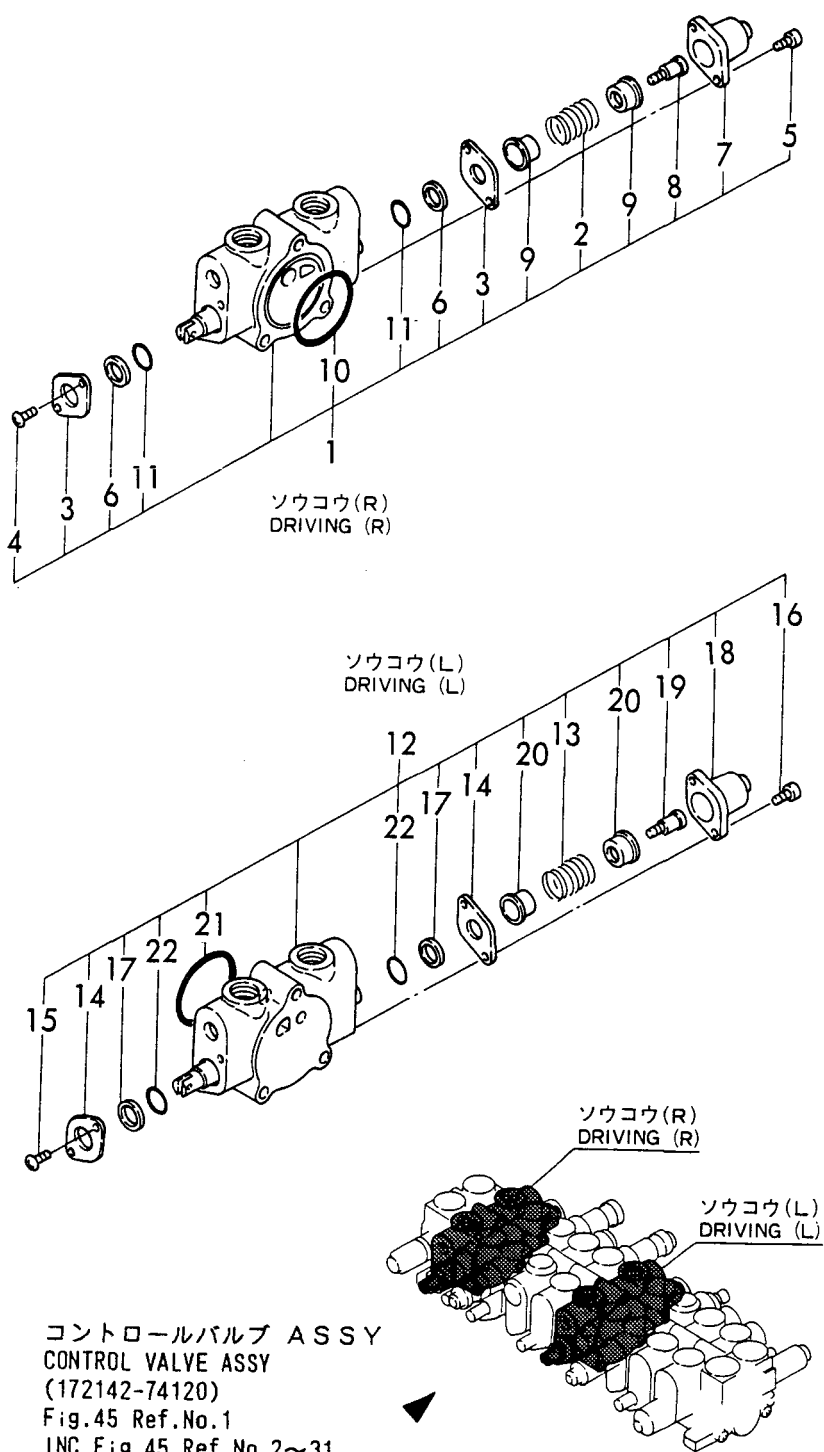


Fig. 46 コントロールバルブ(ソウコウ) CONTROL VALVE (DRIVE)



コントロールバルブ ASSY
CONTROL VALVE ASSY
 (172142-74120)
 Fig.45 Ref.No.1
 INC Fig.45 Ref.No.2~31
 Fig.46 Ref.No.1~22
 Fig.47 Ref.No.1~38
 Fig.48 Ref.No.1~35
 Fig.49 Ref.No.1~27

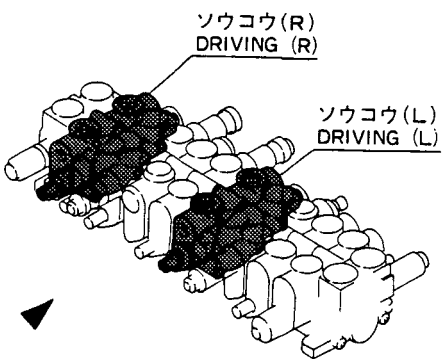


Fig. 51 サードバルブ(バルブ)
3RD VALVE (VALVE)

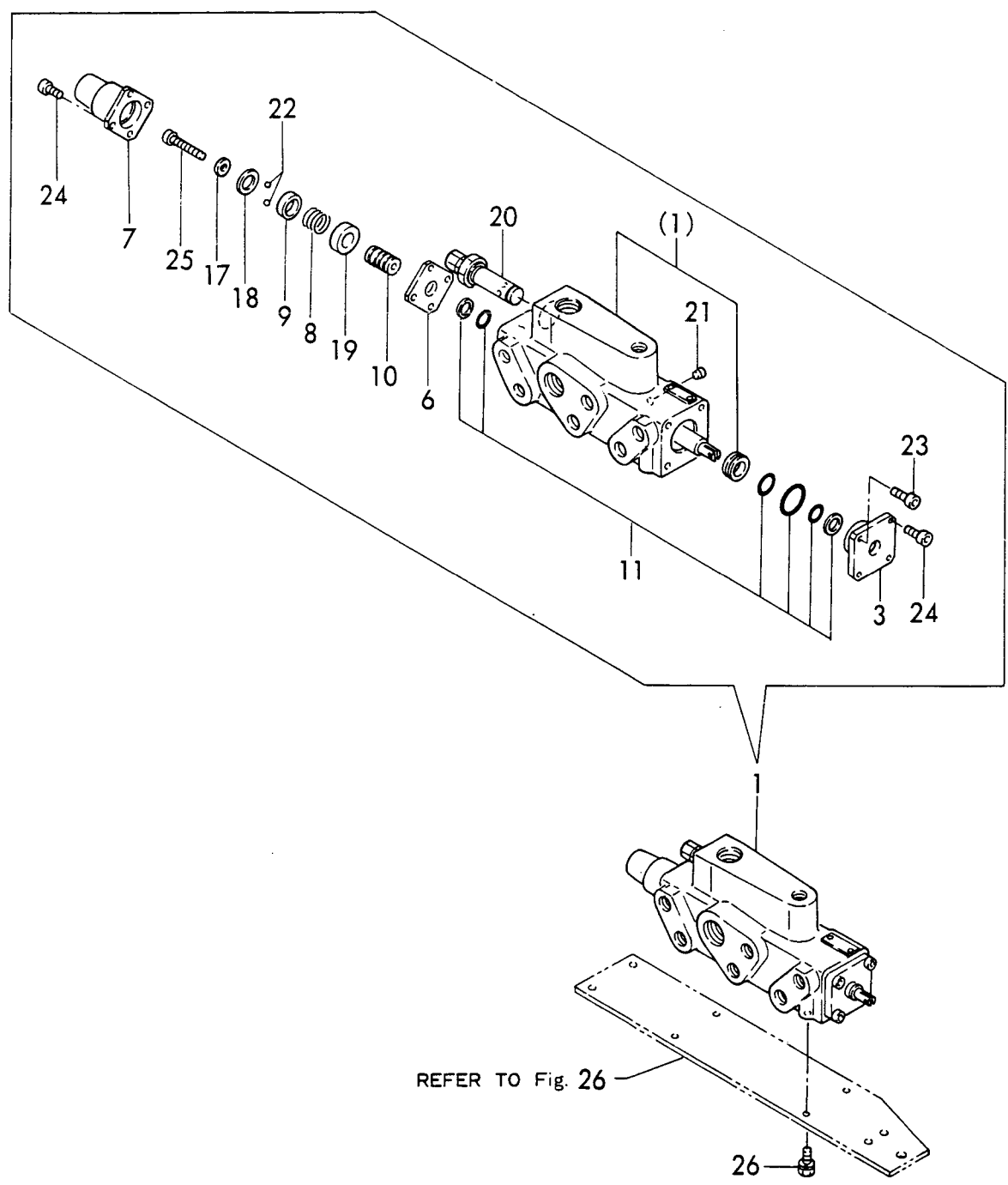


Fig. **56** ユアツハイカン(リターン)
 HYD. OIL PIPING (RETURN)

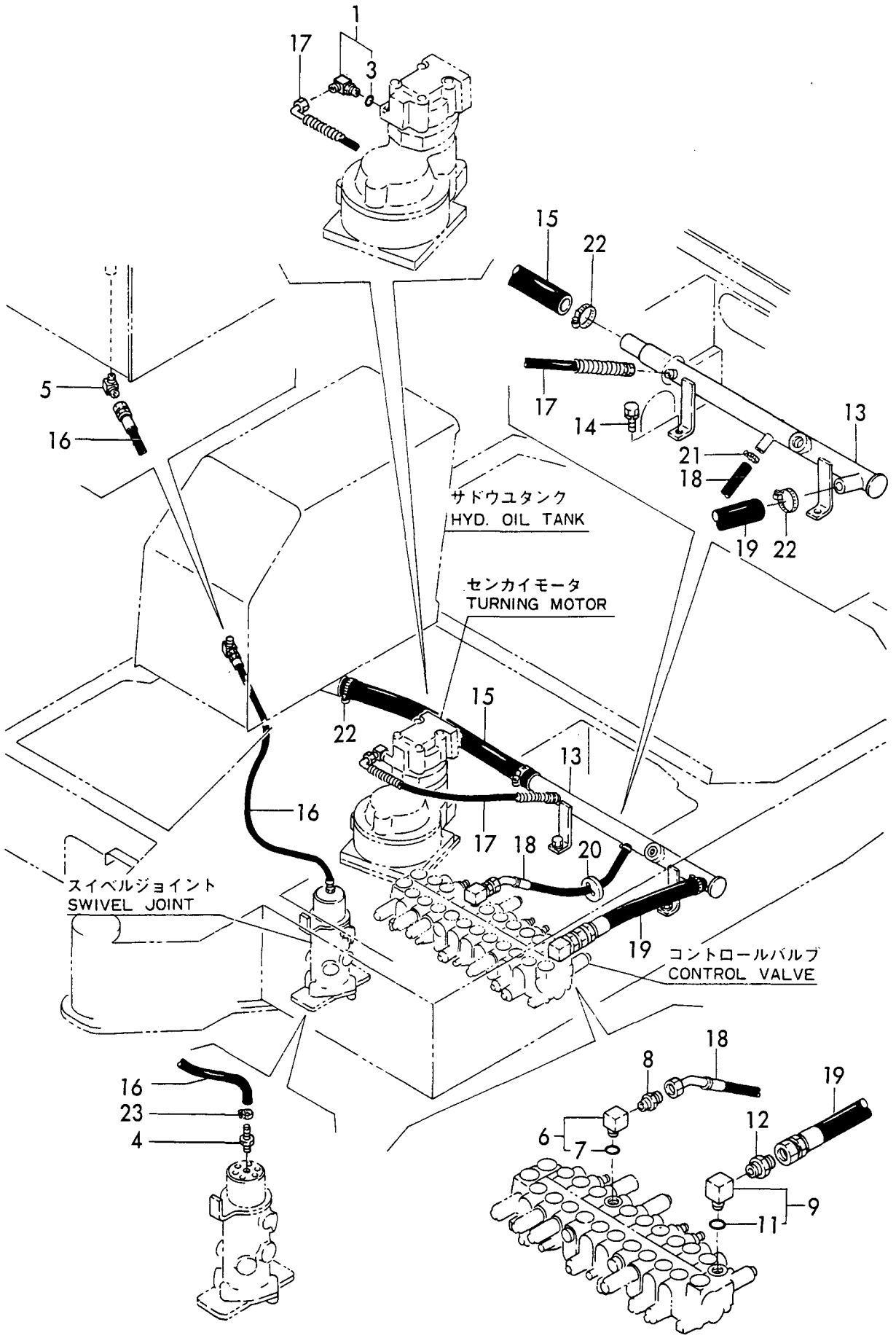
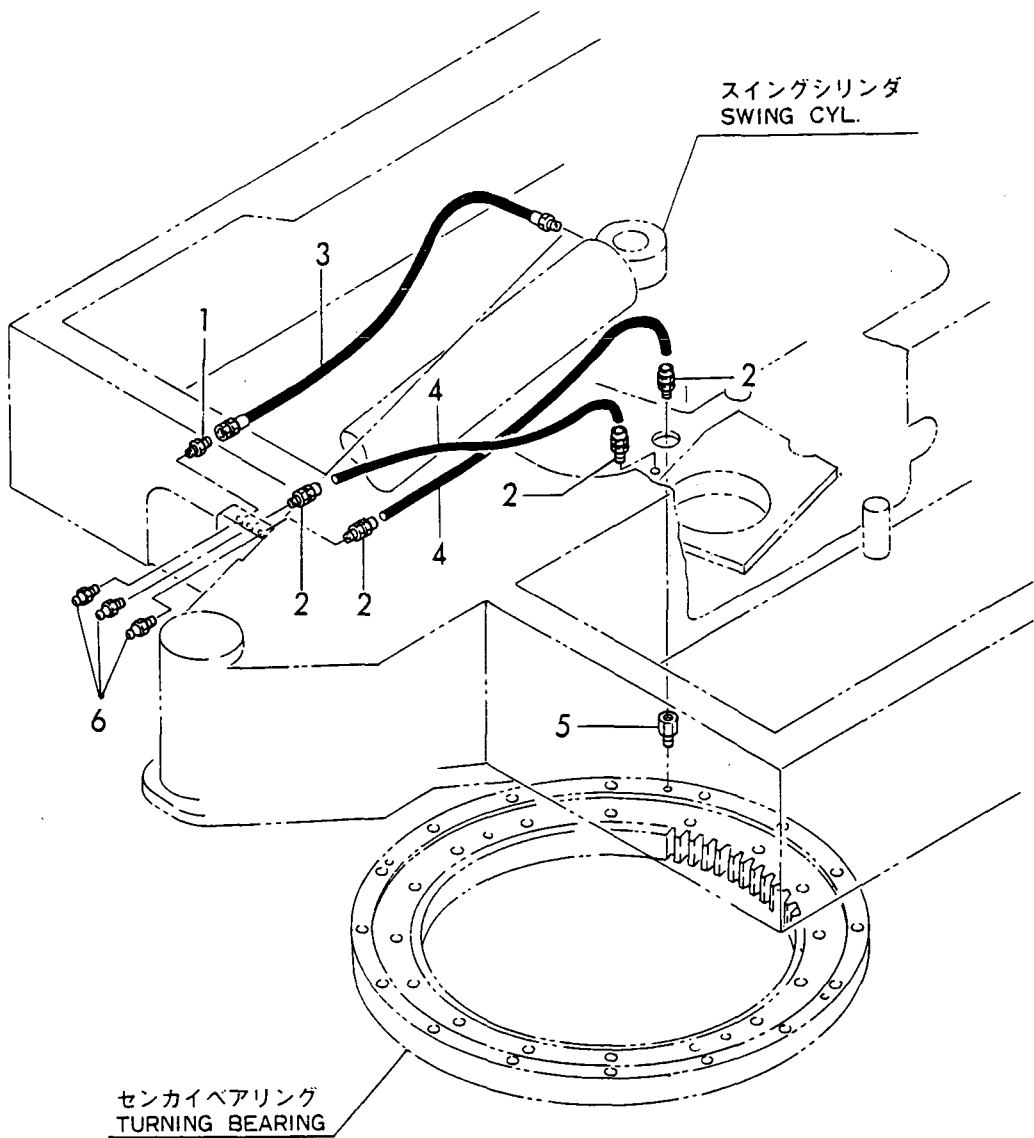


Fig. **61** エンカクキュウシ
GREASING



CLICK HERE TO **DOWNLOAD** THE COMPLETE MANUAL

- Thank you very much for reading the preview of the manual.
- You can download the complete manual from: www.heydownloads.com by clicking the link below



- Please note: If there is no response to CLICKING the link, please download this PDF first and then click on it.

CLICK HERE TO **DOWNLOAD** THE COMPLETE MANUAL