

P R E F A C E

1. This Parts Catalog carries Yanmar crawler back-hoe B2-5.

2. Parts catalog history

	Parts catalog NO.	Published	Remarks
1st edition	000Y00K3840	Aug. , 2002	Disuse old edition
1st revised	000Y00K3841	Feb. , 2004	

3. Model name

SECTION	Column	Model name	M/#	Manufactured
I (Vehicle)	(A)	B2-5 (JP)	50501~	2002/5~
	(B)	B2-5 (EX)		
II (Engine)	(A)	3TNV76-BX	00106~	2002/5~

(Note) JP:Japan EX:export except U. S. A. & Australia

4. Your understanding is asking that this parts catalog is not a technical data manual setting forth as servicing procedures, This parts catalog is using simplified illustration. Be sure to use Yanmar Genuine Parts in your maintenance servicing of Yanmar products. Be careful not to use the simple parts available in the market, otherwise their use in repairing causes such as an early breakage, for instance.

CLICK HERE TO **DOWNLOAD** THE COMPLETE MANUAL

- Thank you very much for reading the preview of the manual.
- You can download the complete manual from: www.heydownloads.com by clicking the link below



- Please note: If there is no response to CLICKING the link, please download this PDF first and then click on it.

CLICK HERE TO **DOWNLOAD** THE COMPLETE MANUAL

Fig. 37 ボンネット(2)
BONNET (2)

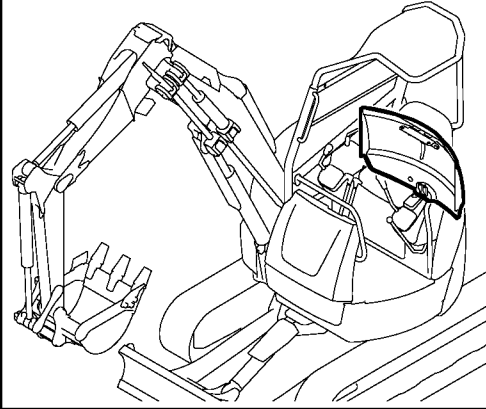


Fig. 38 ボンネット(3)
BONNET (3)

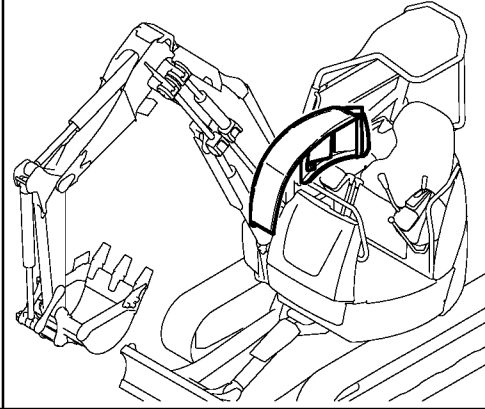


Fig. 39 ダクト
DUCT

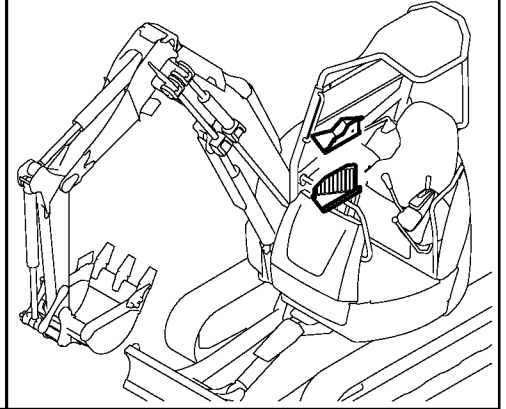


Fig. 40 キャノピ
CANOPY

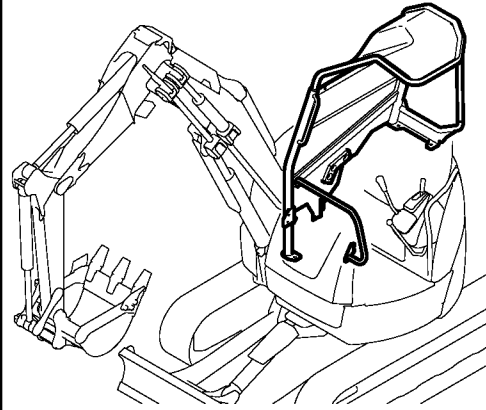


Fig. 41 油圧ポンプ & 軸継手
HYD. OIL PUMP & JOINT

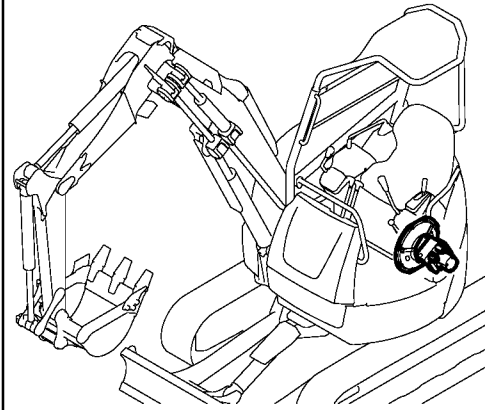


Fig. 42 ブームシリンダ
BOOM CYLINDER

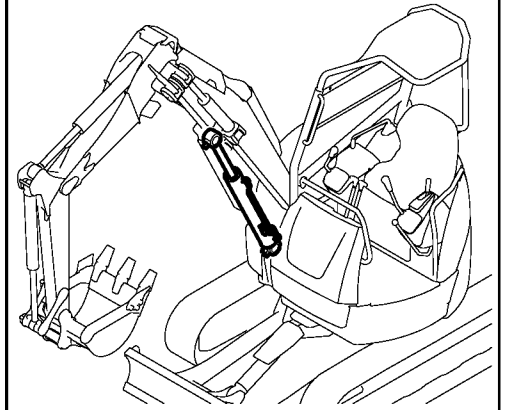


Fig. 43 アームシリンダ
ARM CYLINDER

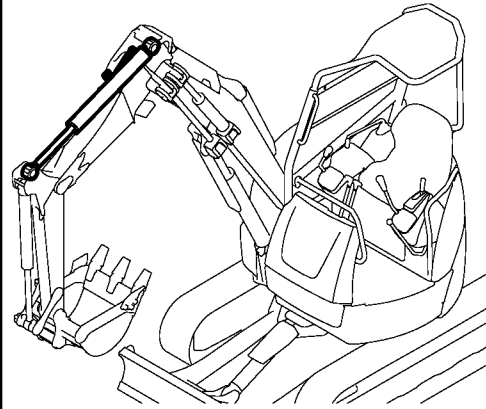


Fig. 44 バケットシリンダ
BUCKET CYLINDER

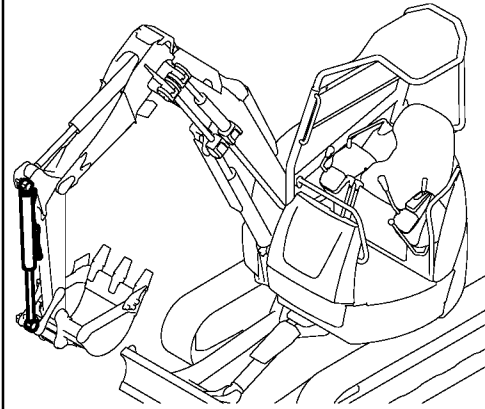


Fig. 45 ブレードシリンダ
BLADE CYLINDER

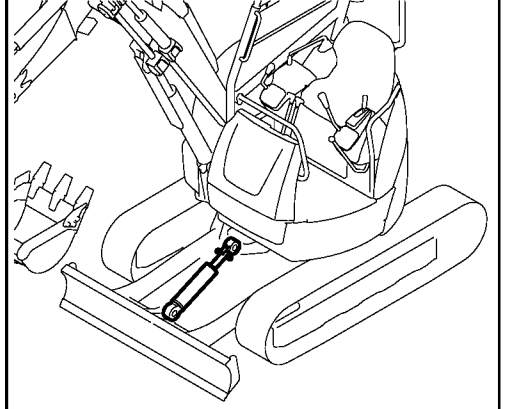


Fig. 46 オフセットシリンダ
OFFSET CYLINDER

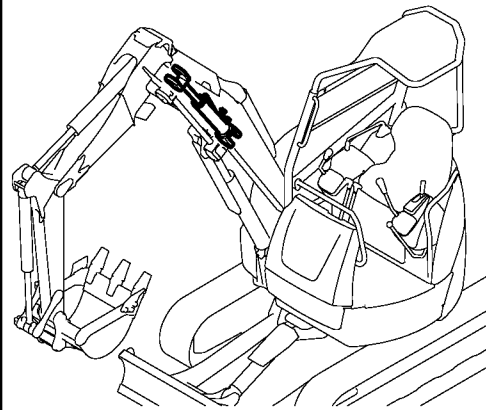


Fig. 47 走行モータ
TRAVEL MOTOR

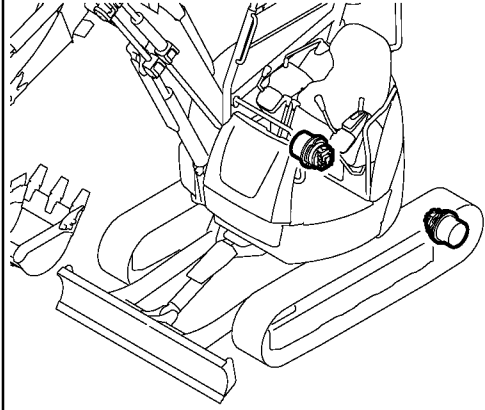
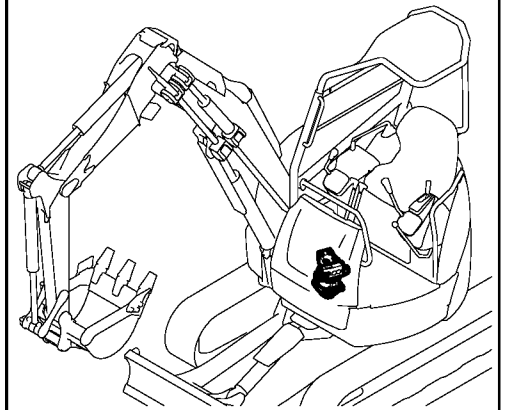
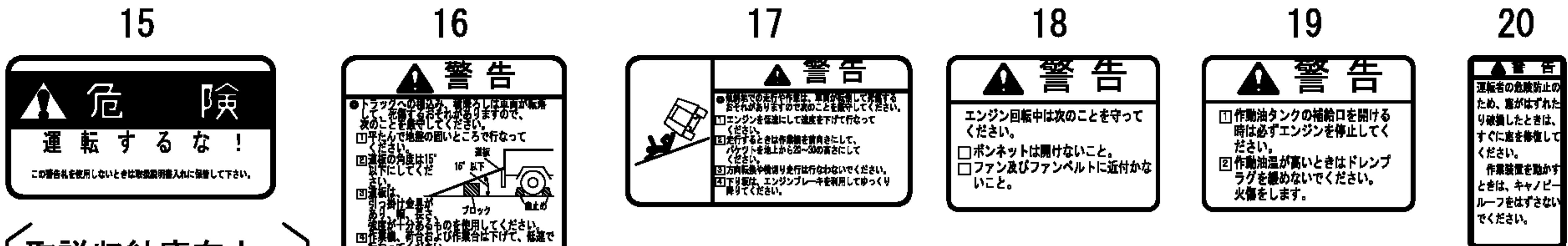
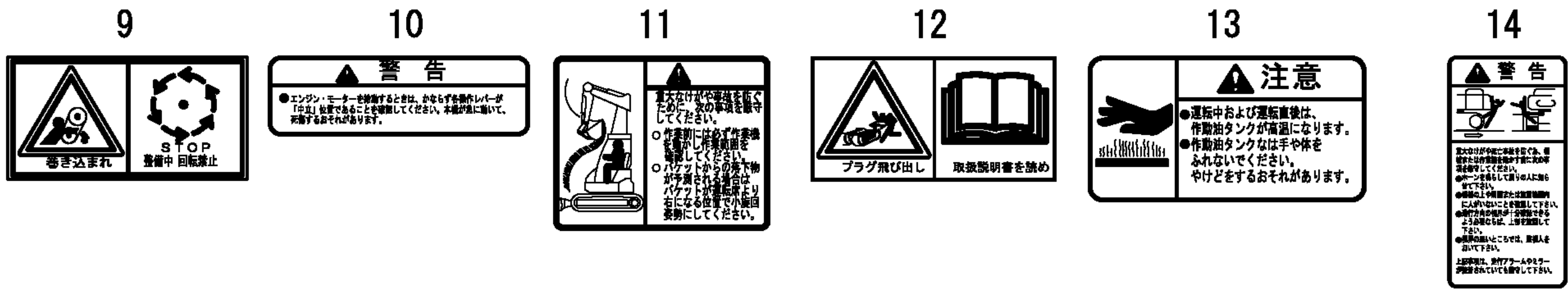
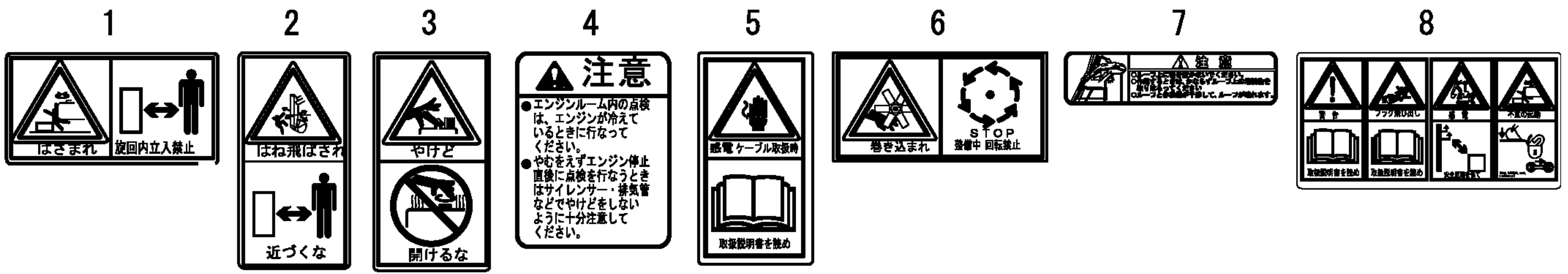
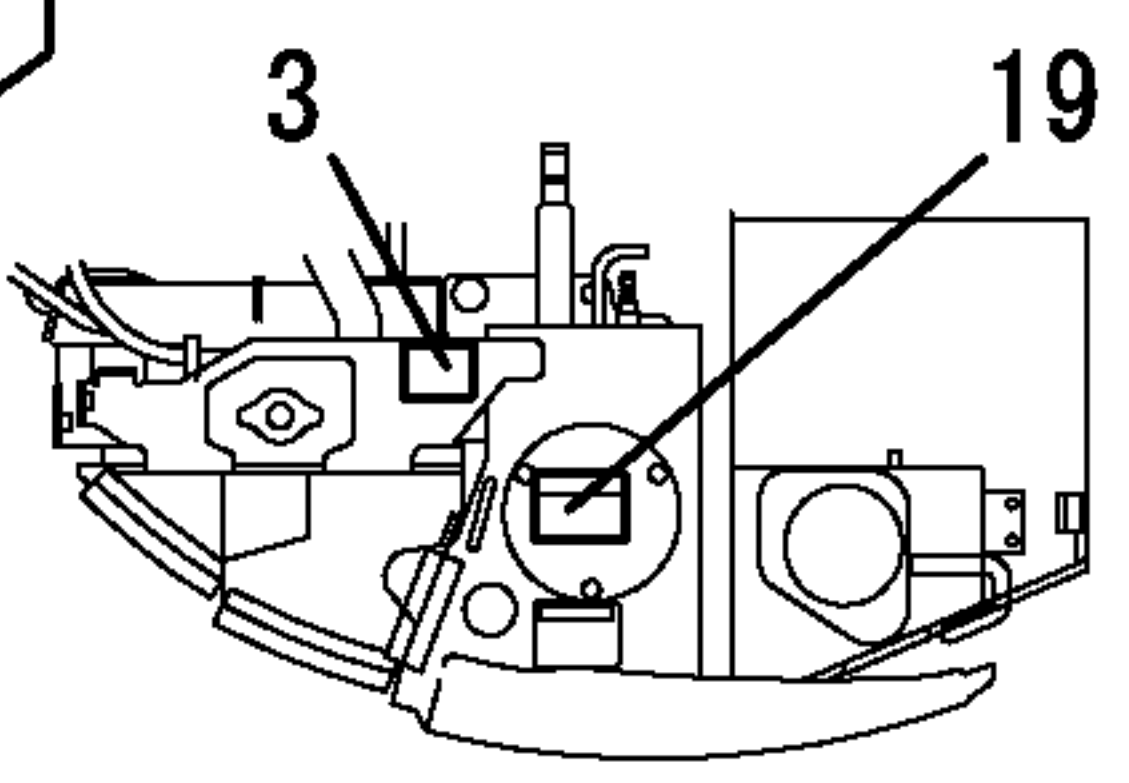


Fig. 48 旋回モータ
TURNING MOTOR

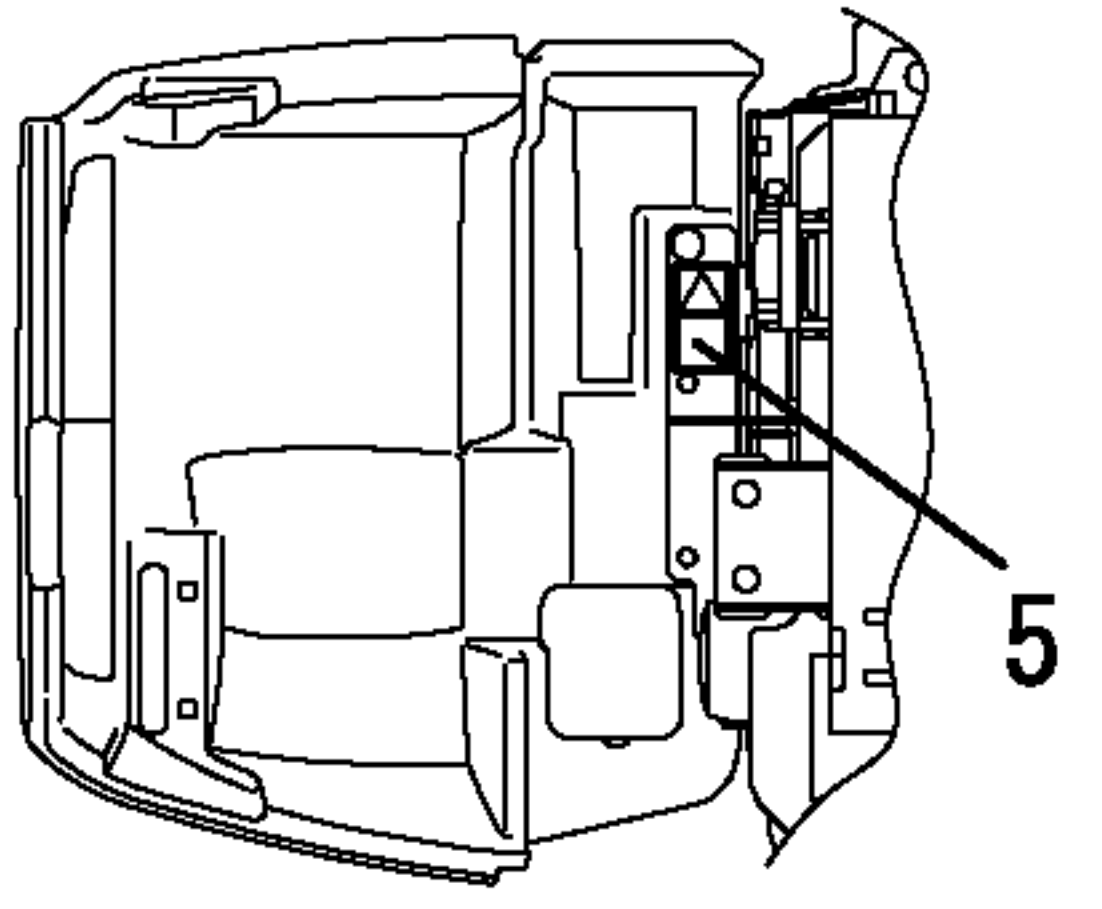




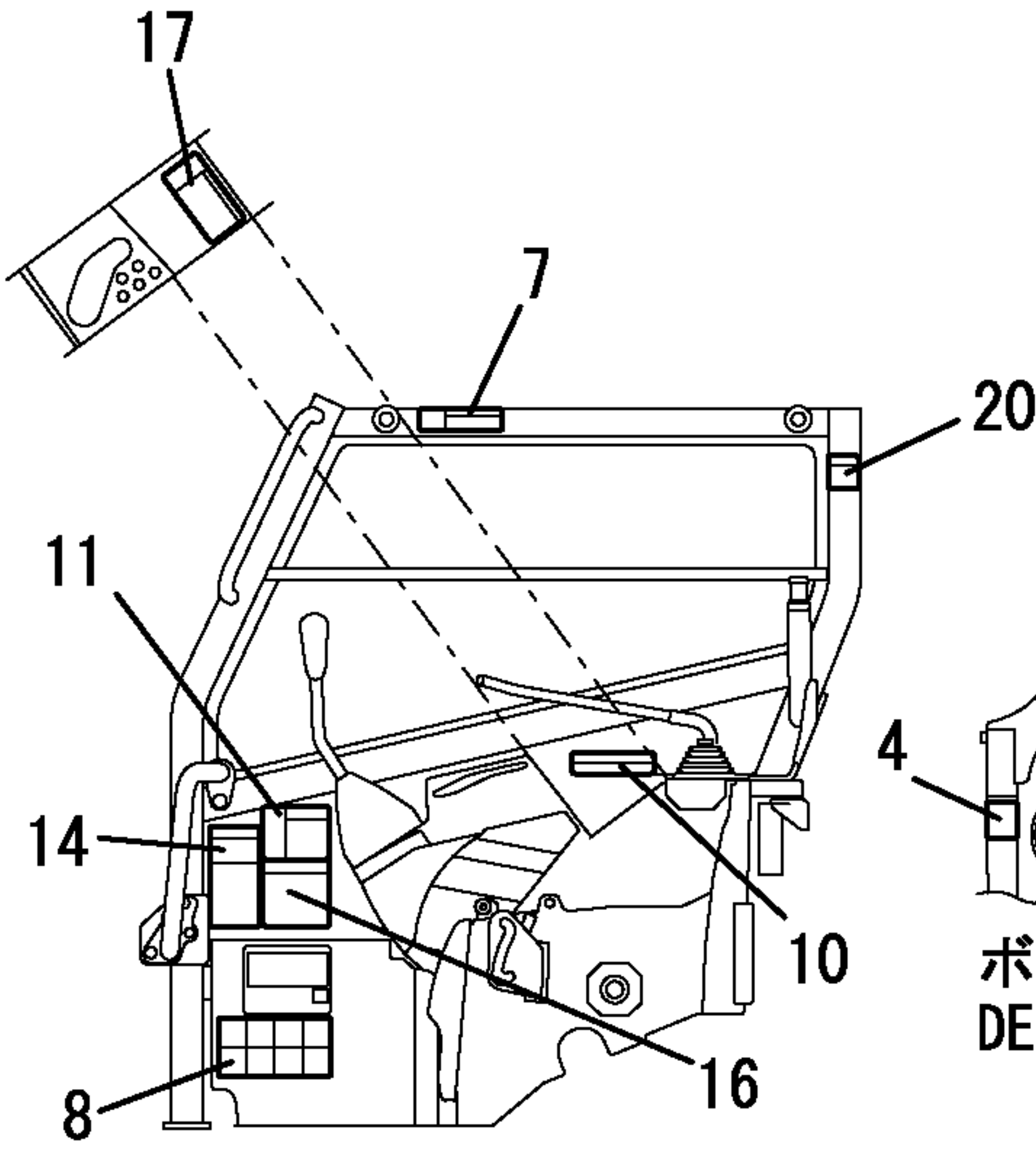
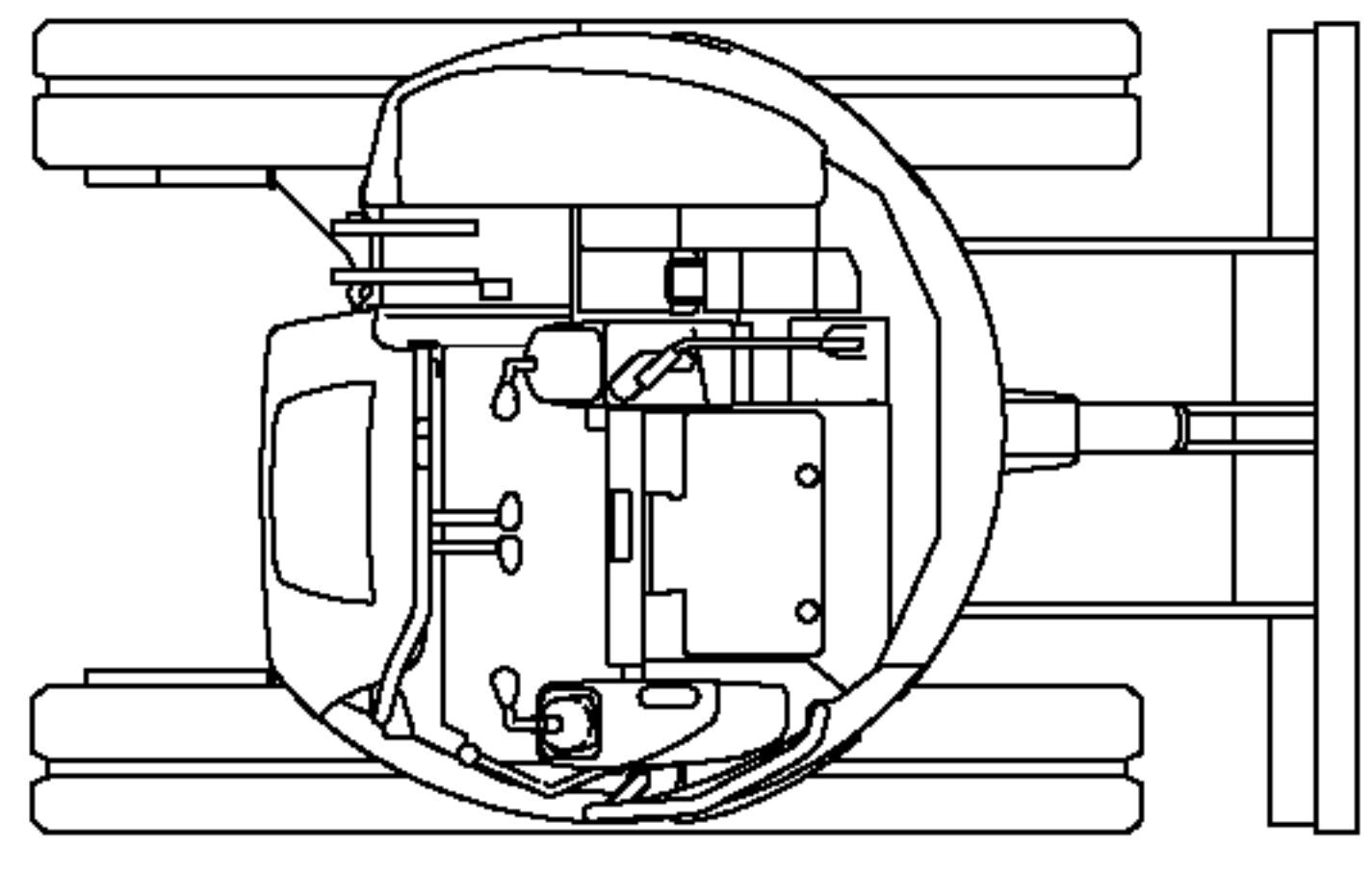
取説収納庫在中
IN THE OPERATION
MANUAL CASE



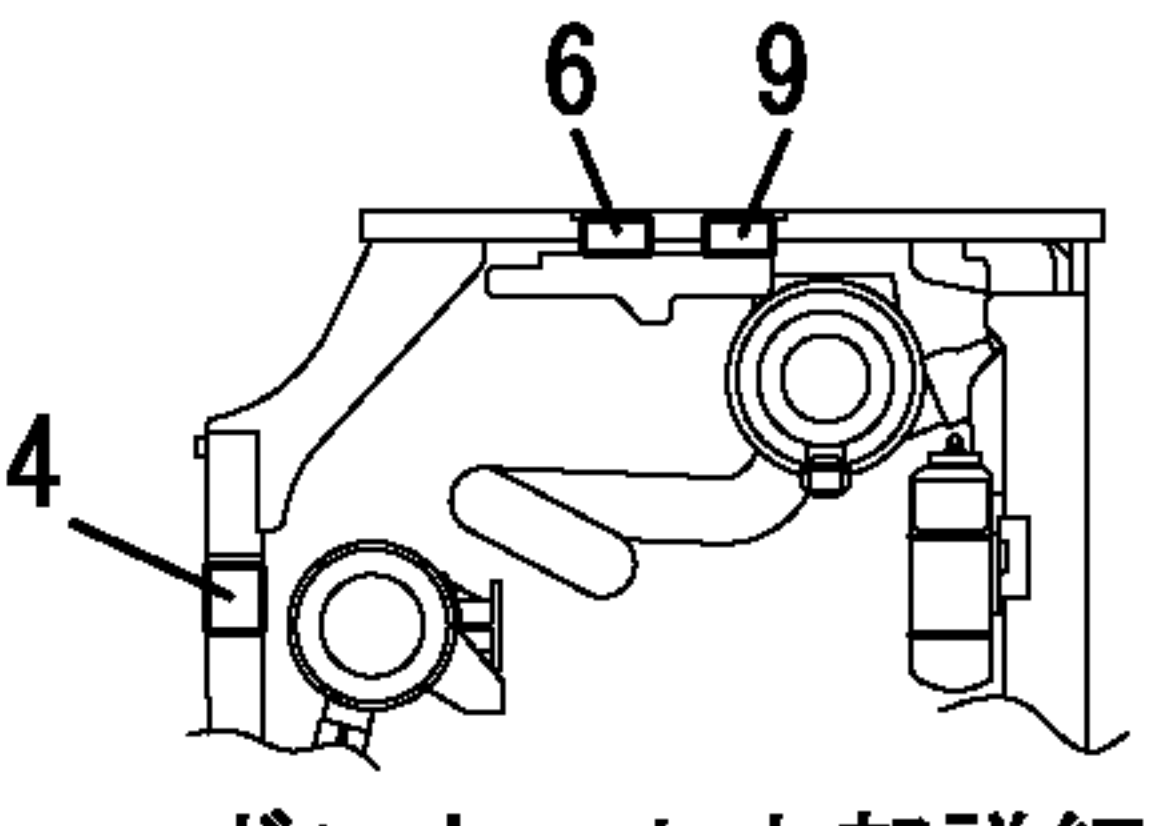
パネルL部詳細
DETAILS OF PANEL L



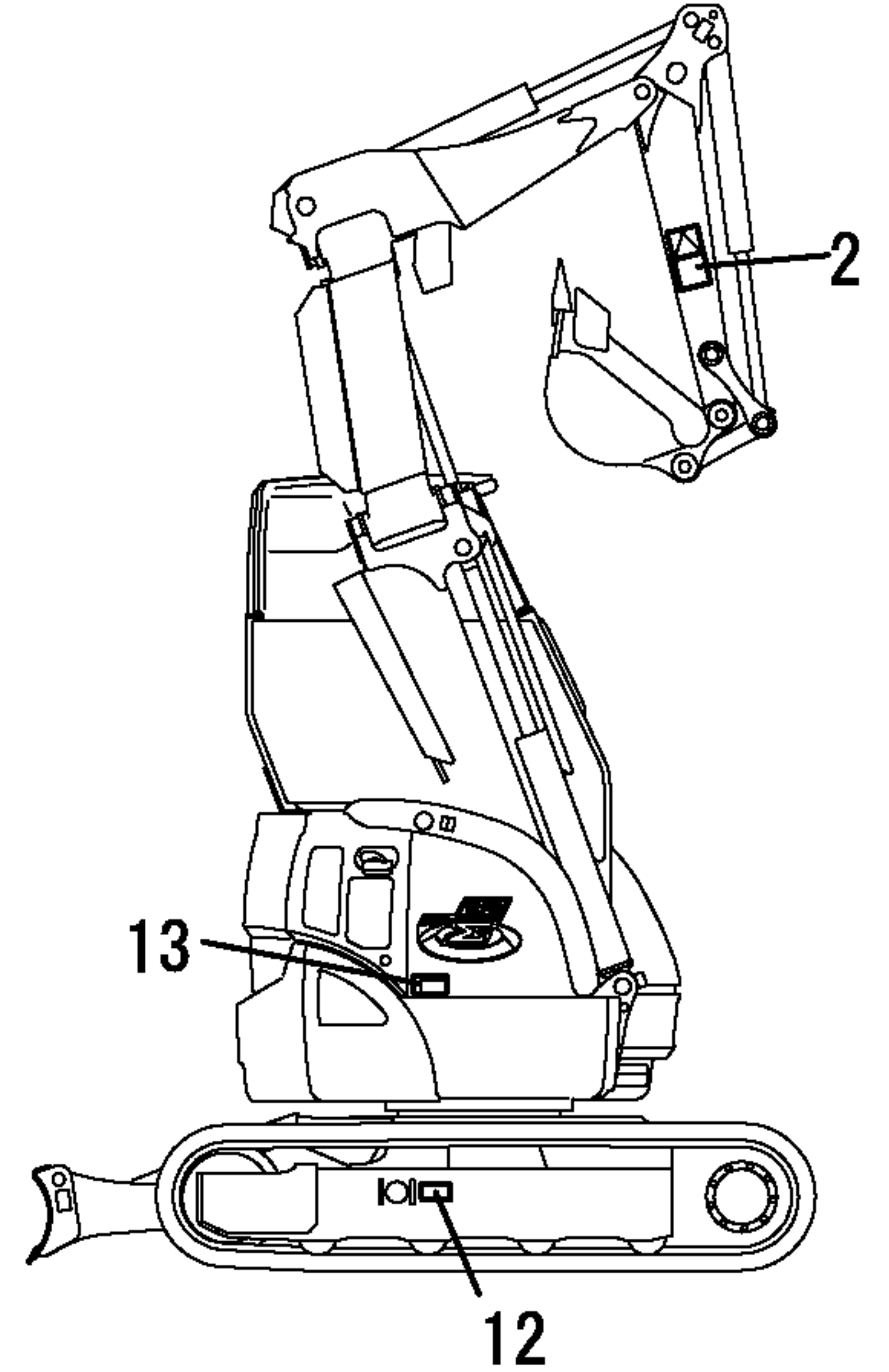
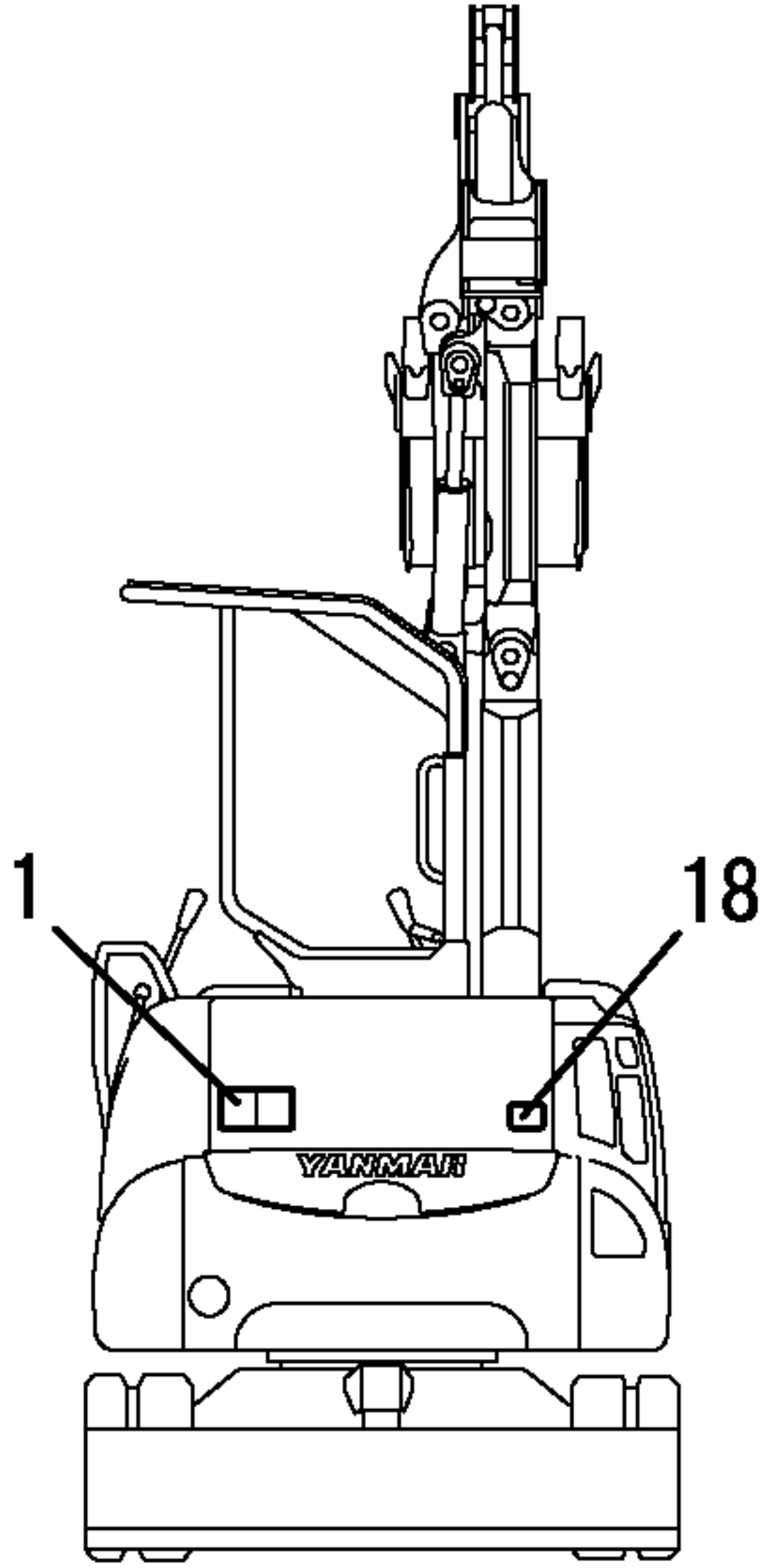
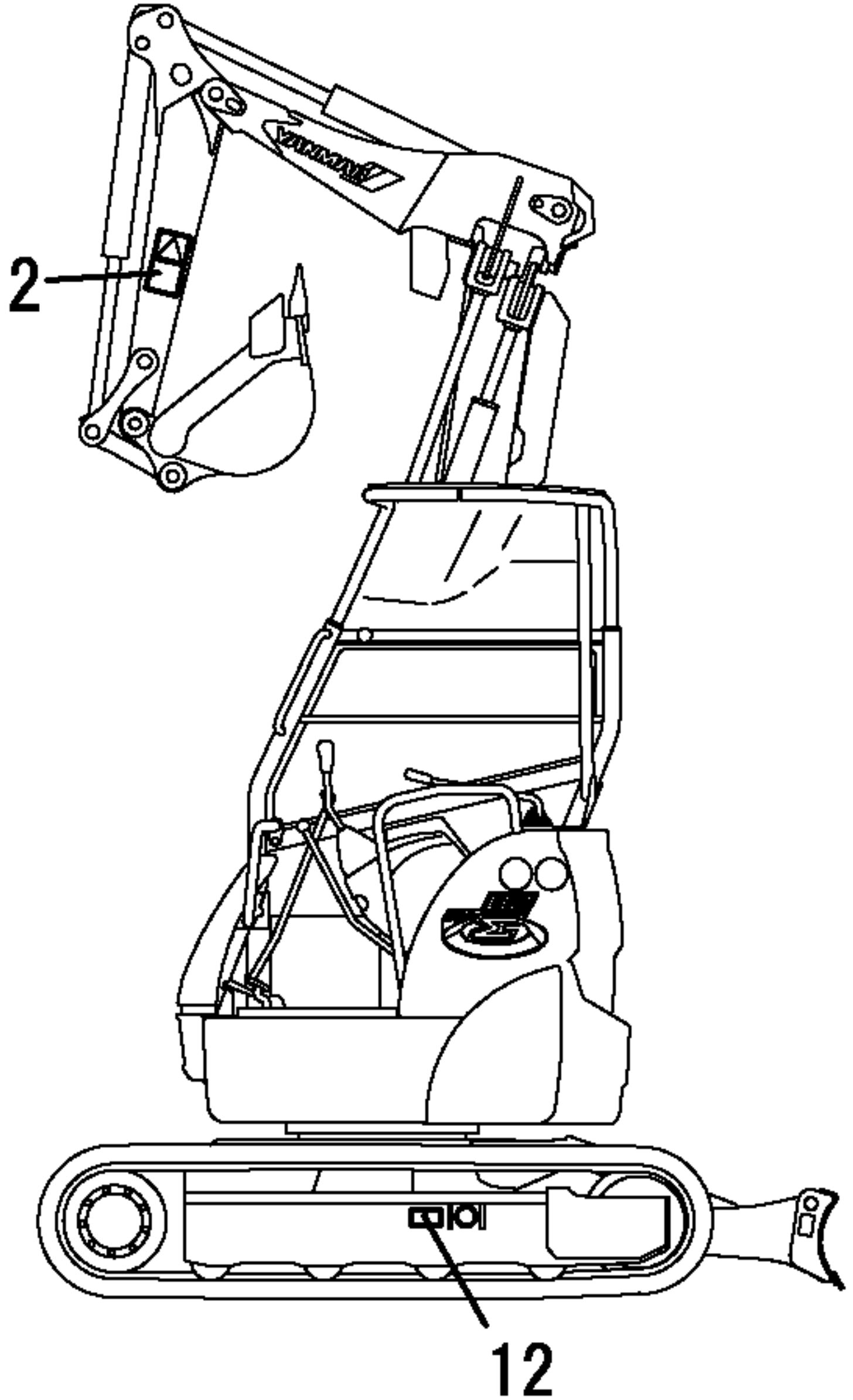
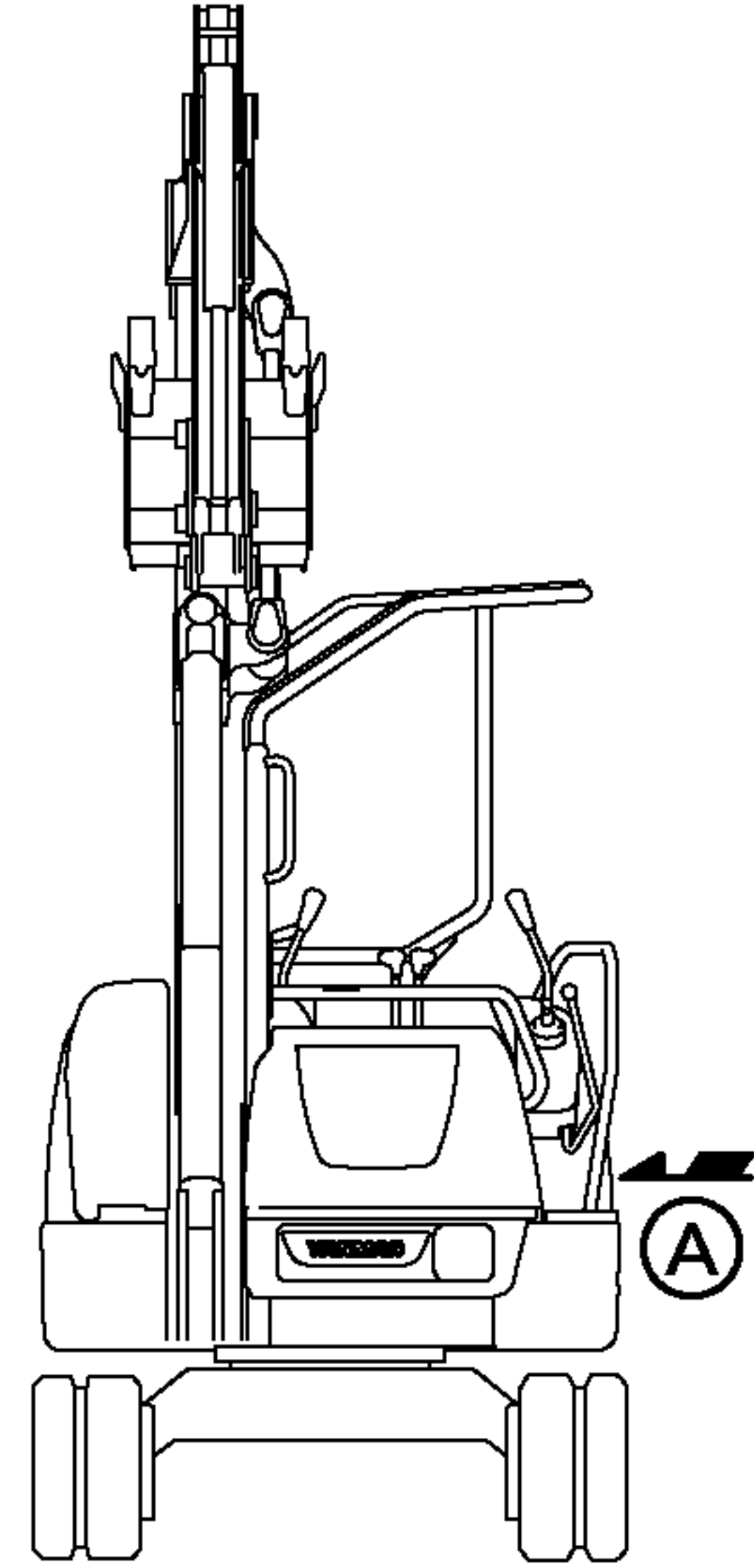
フロントカバーを開いて
OPEN THE FRONT COVER



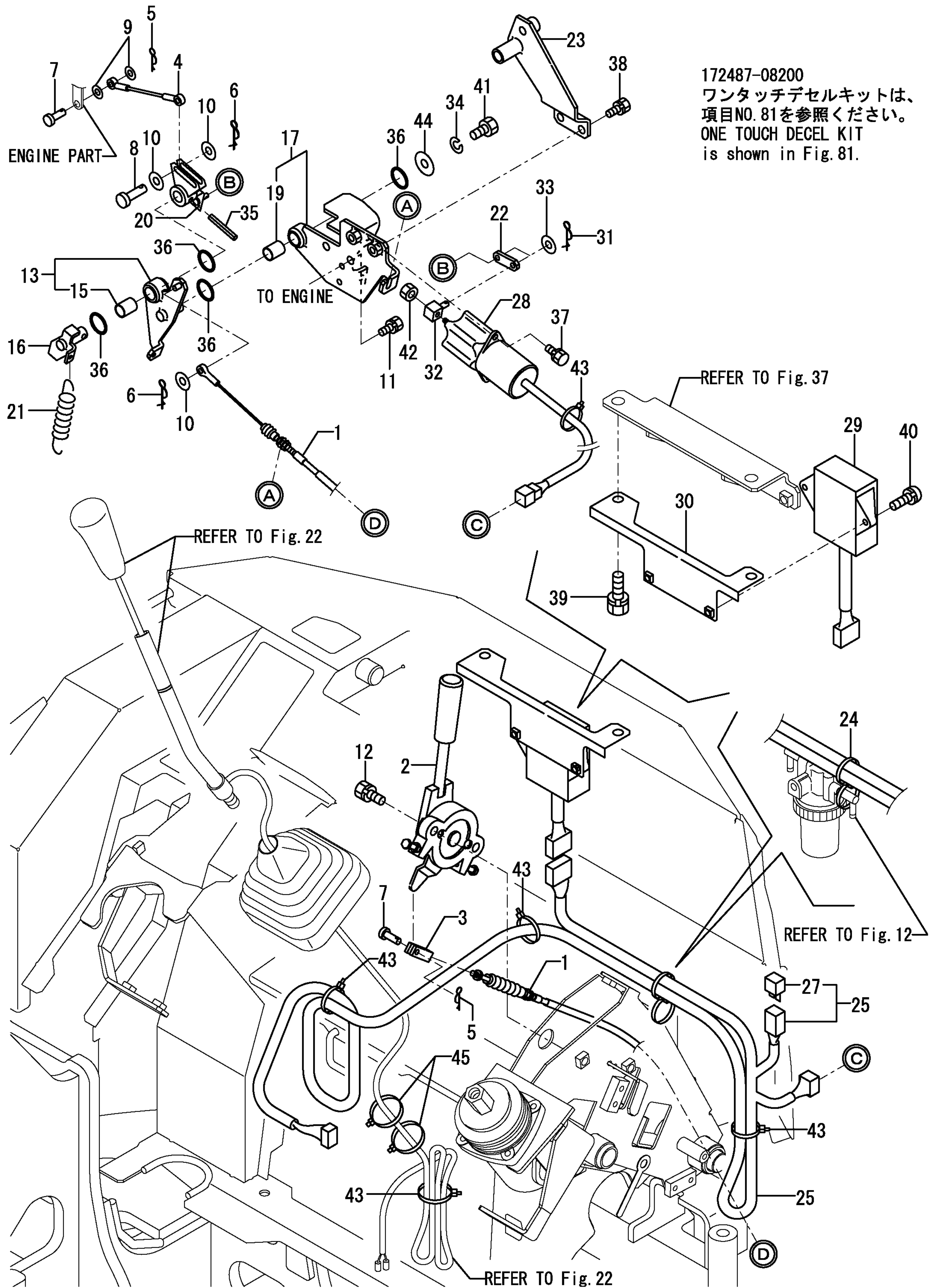
Ⓐカラ見ル
VIEWED FROM Ⓐ

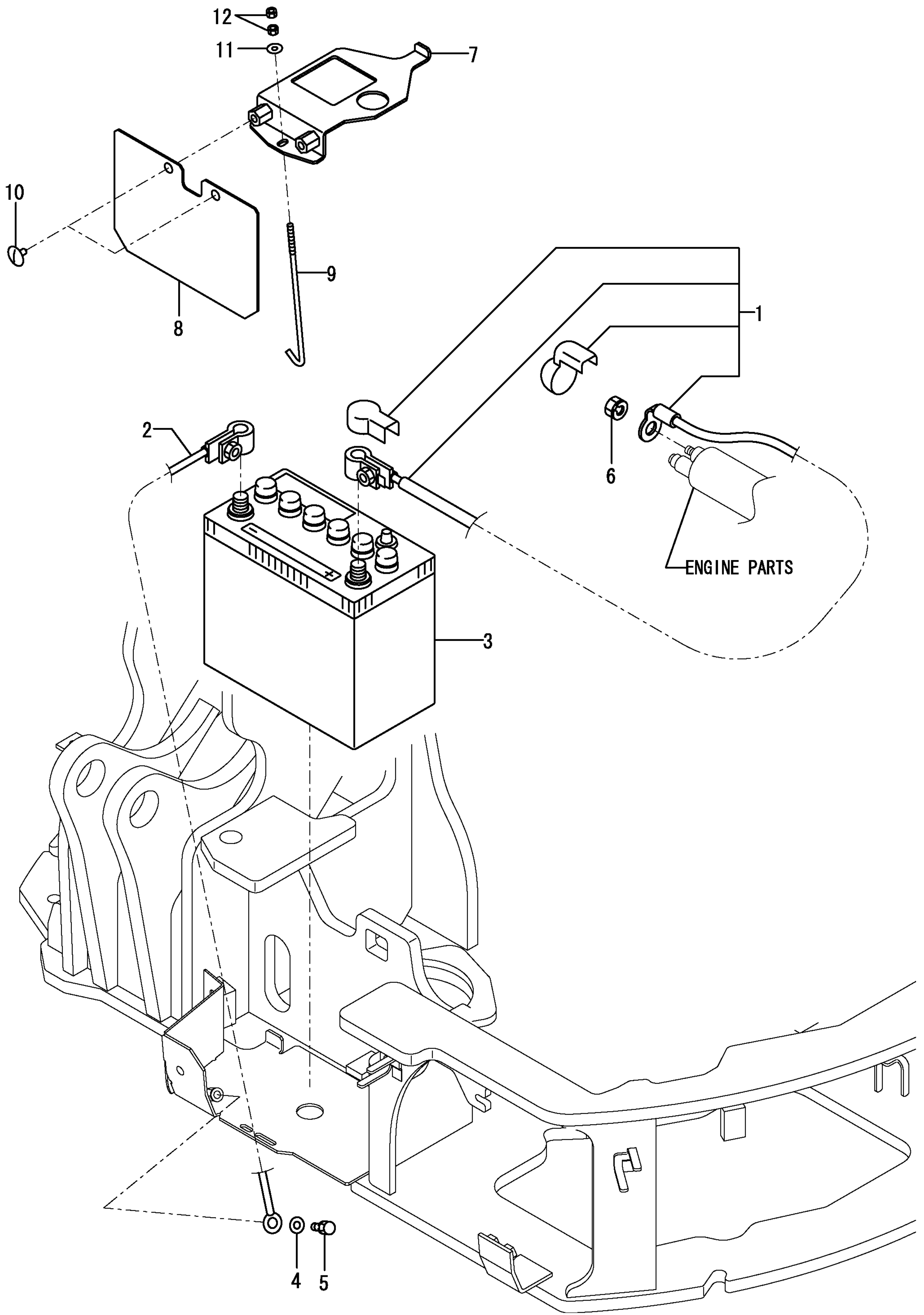


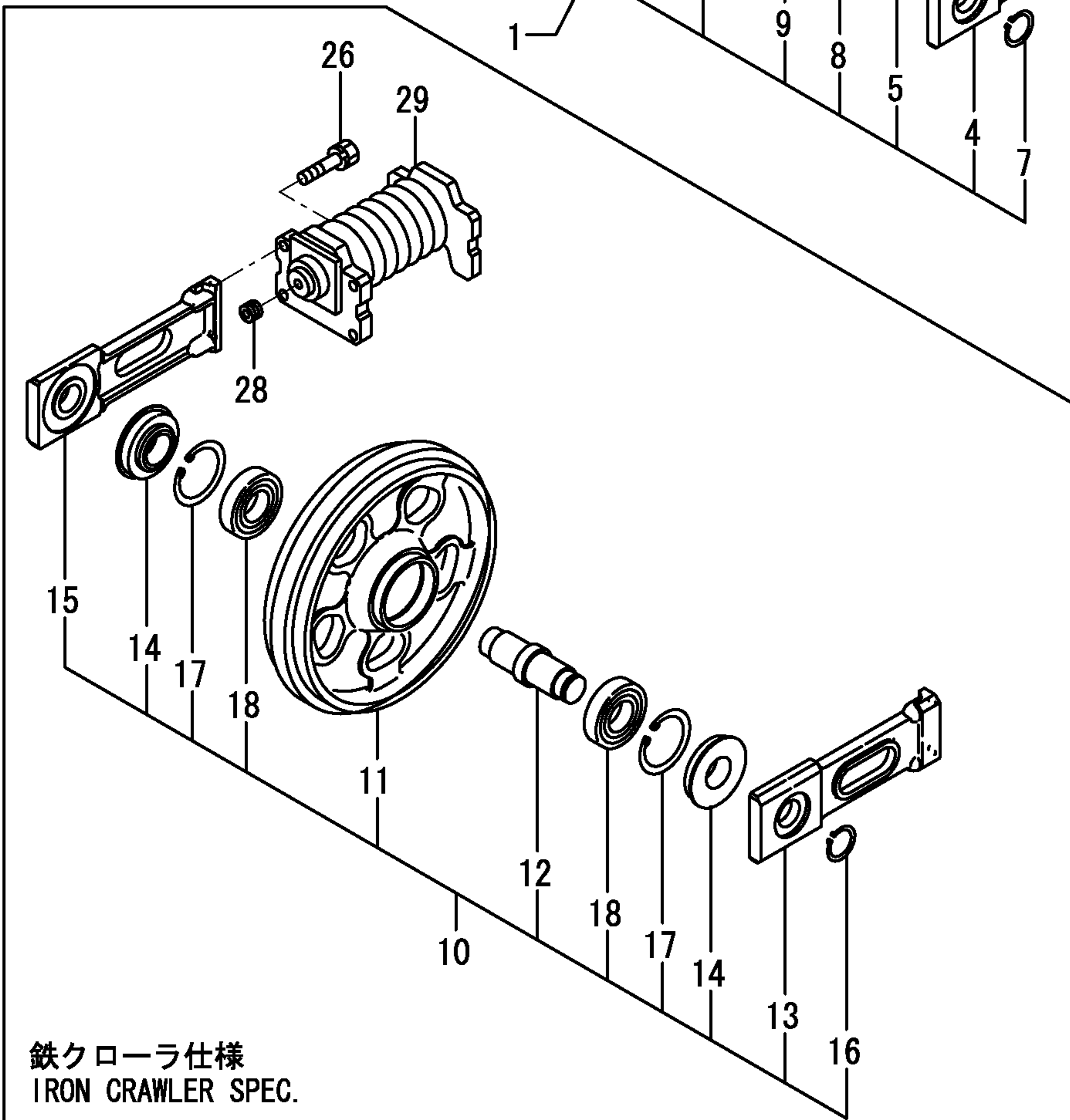
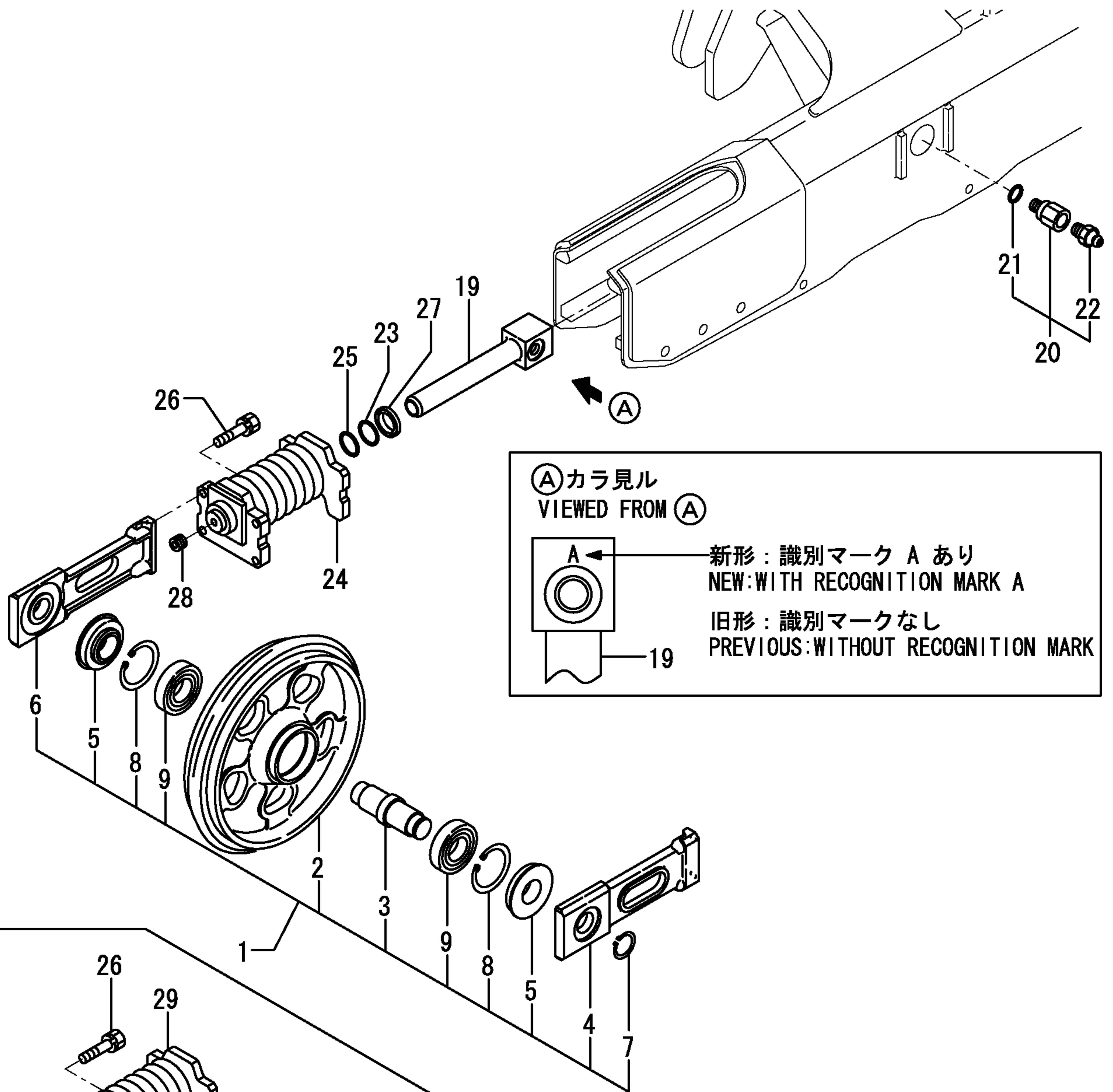
ボンネット内部詳細
DETAILS OF
BONNET INSIDE

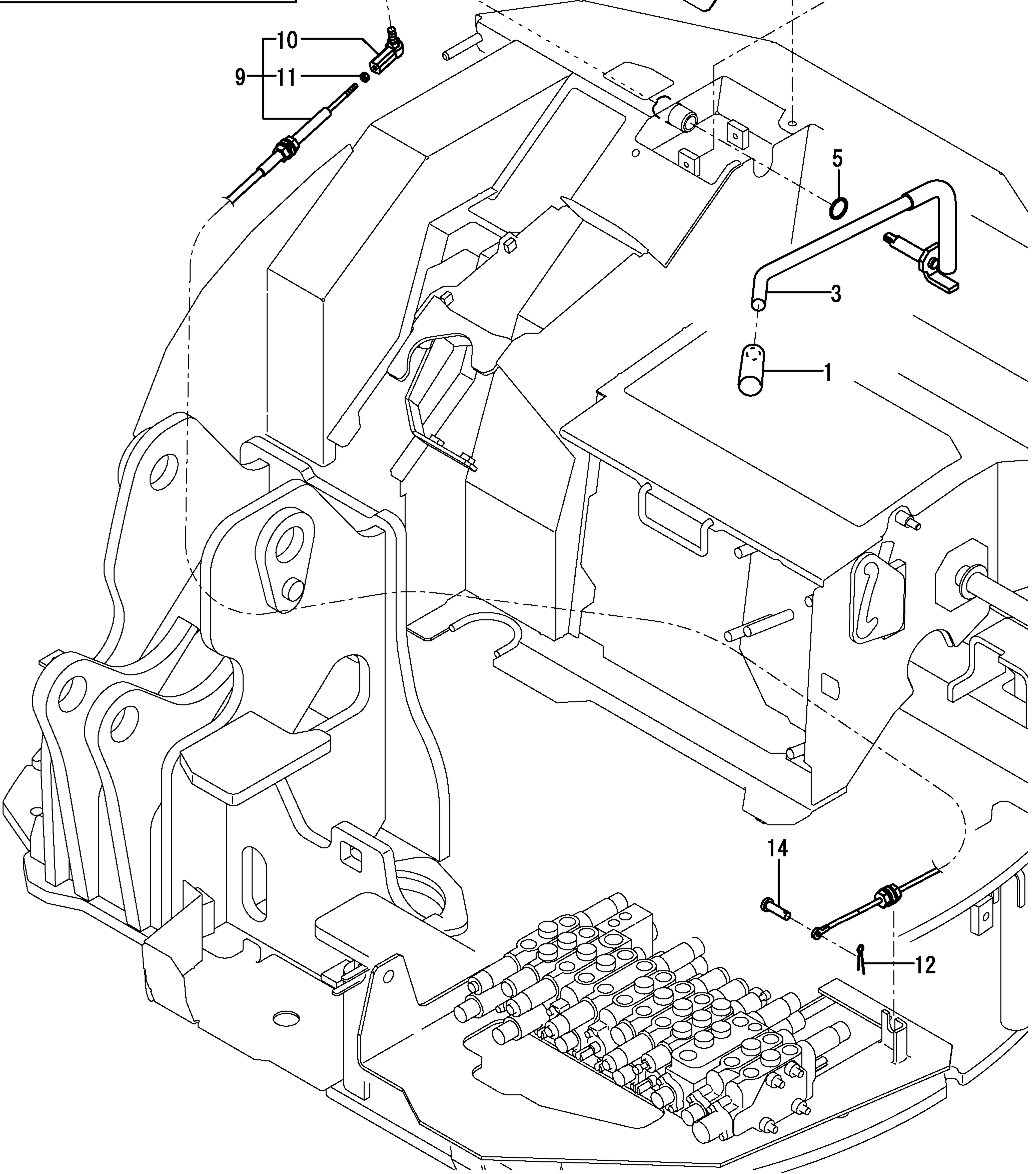
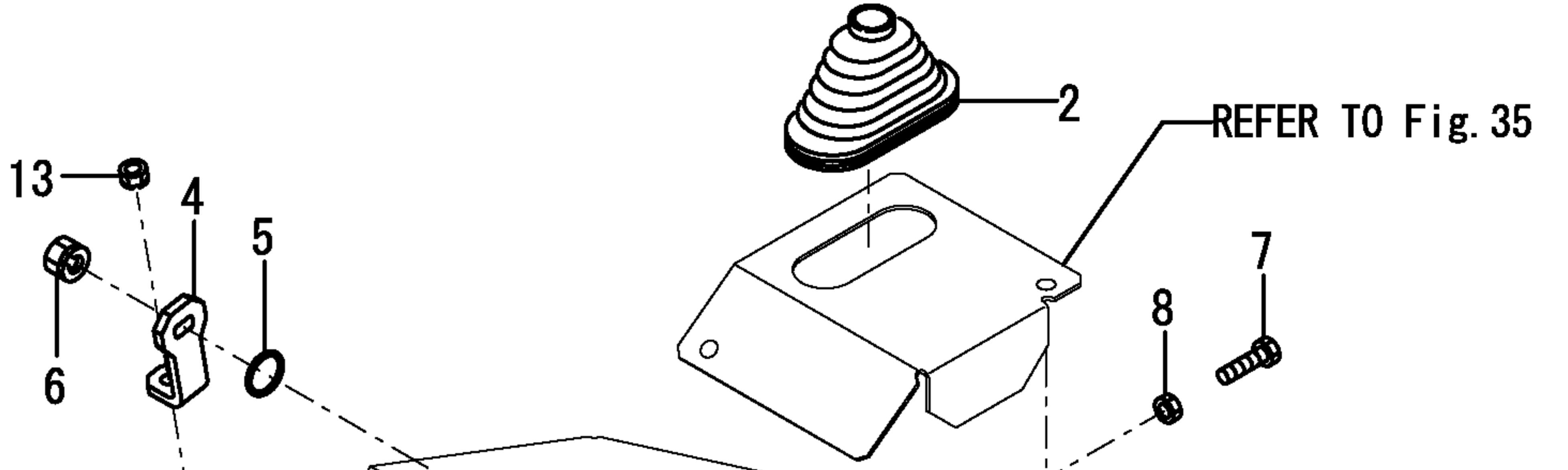
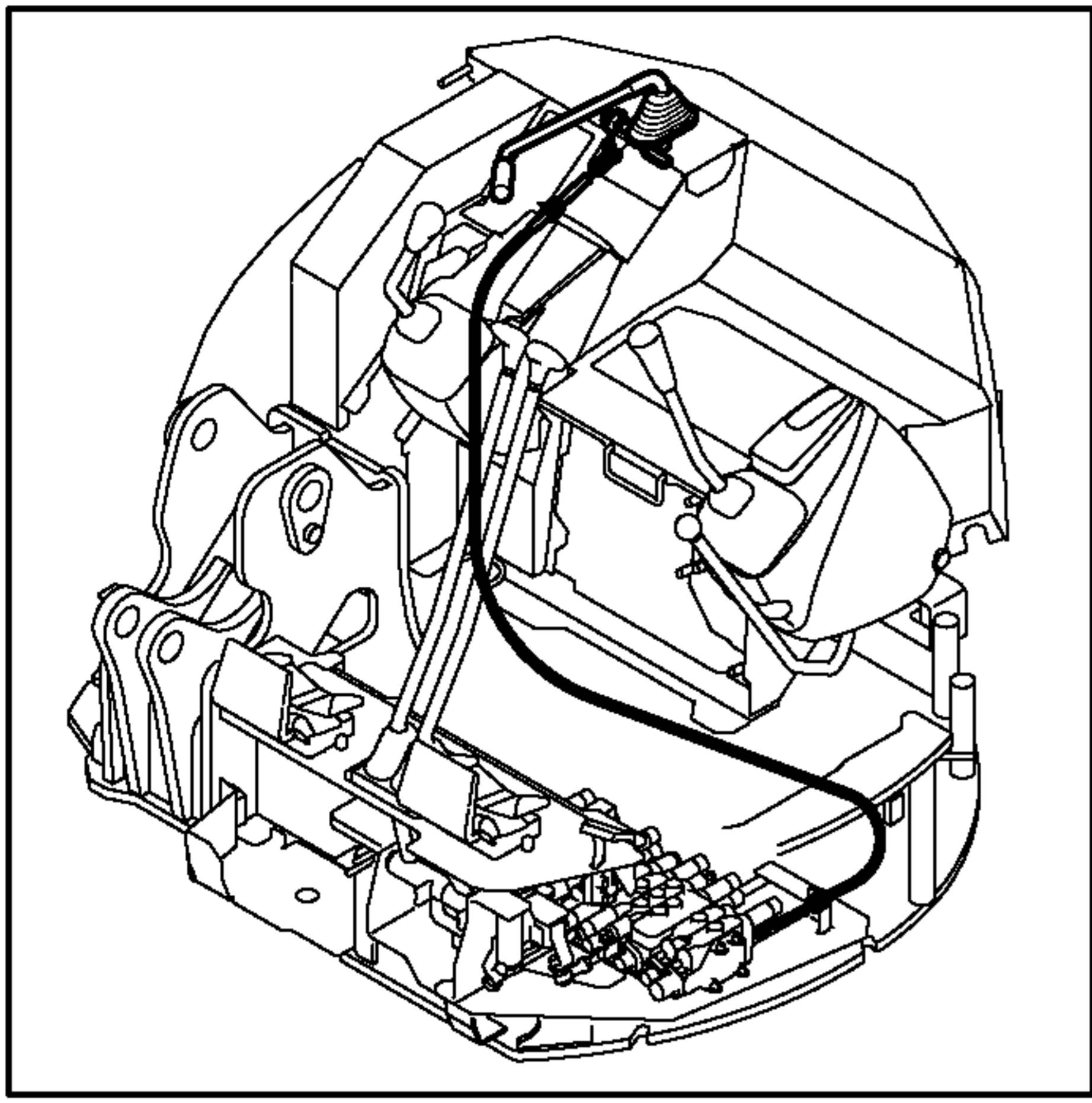


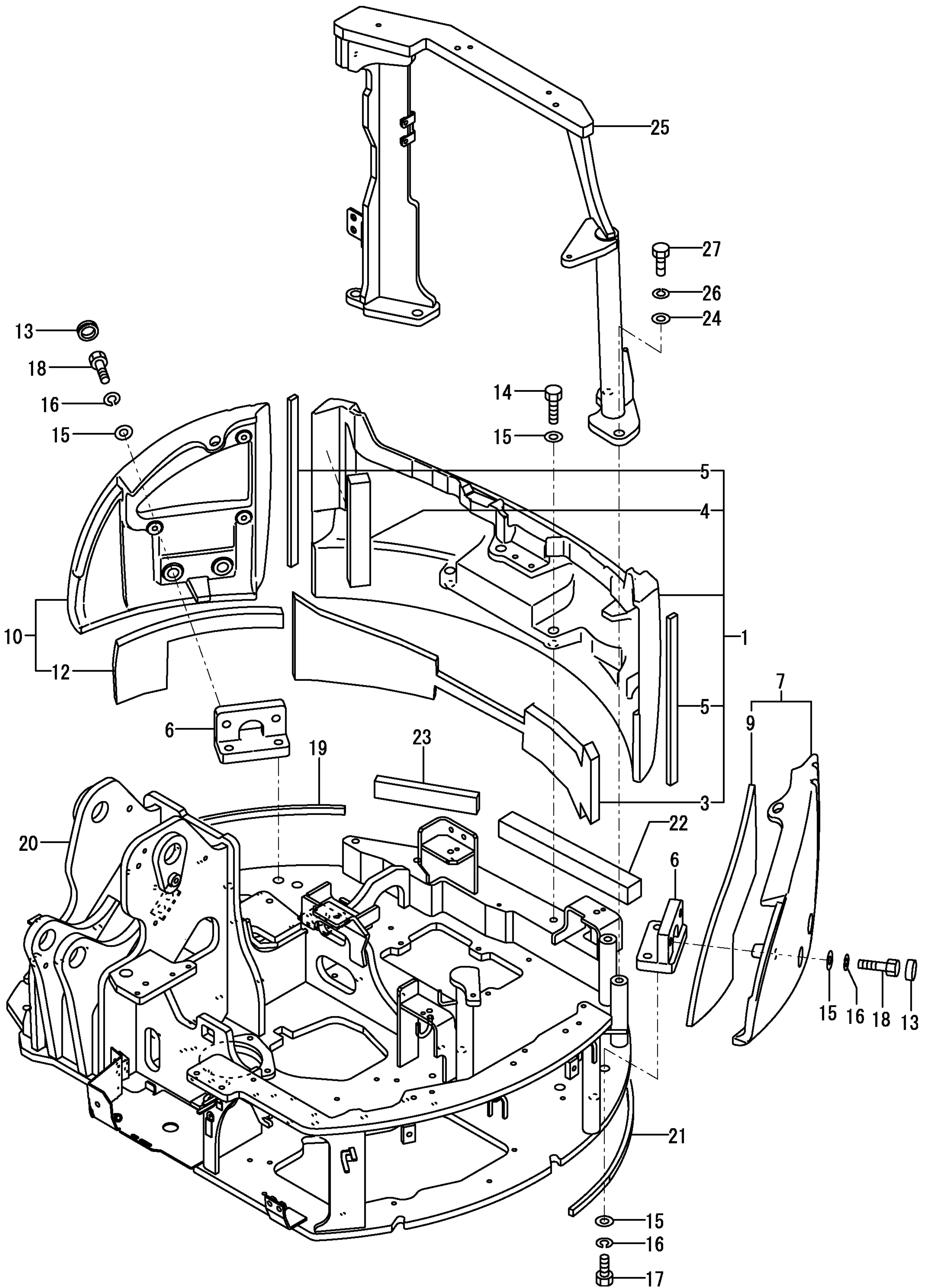
172487-08200
 ワンタッチデセルキットは、
 項目NO. 81を参照ください。
 ONE TOUCH DECEL KIT
 is shown in Fig. 81.





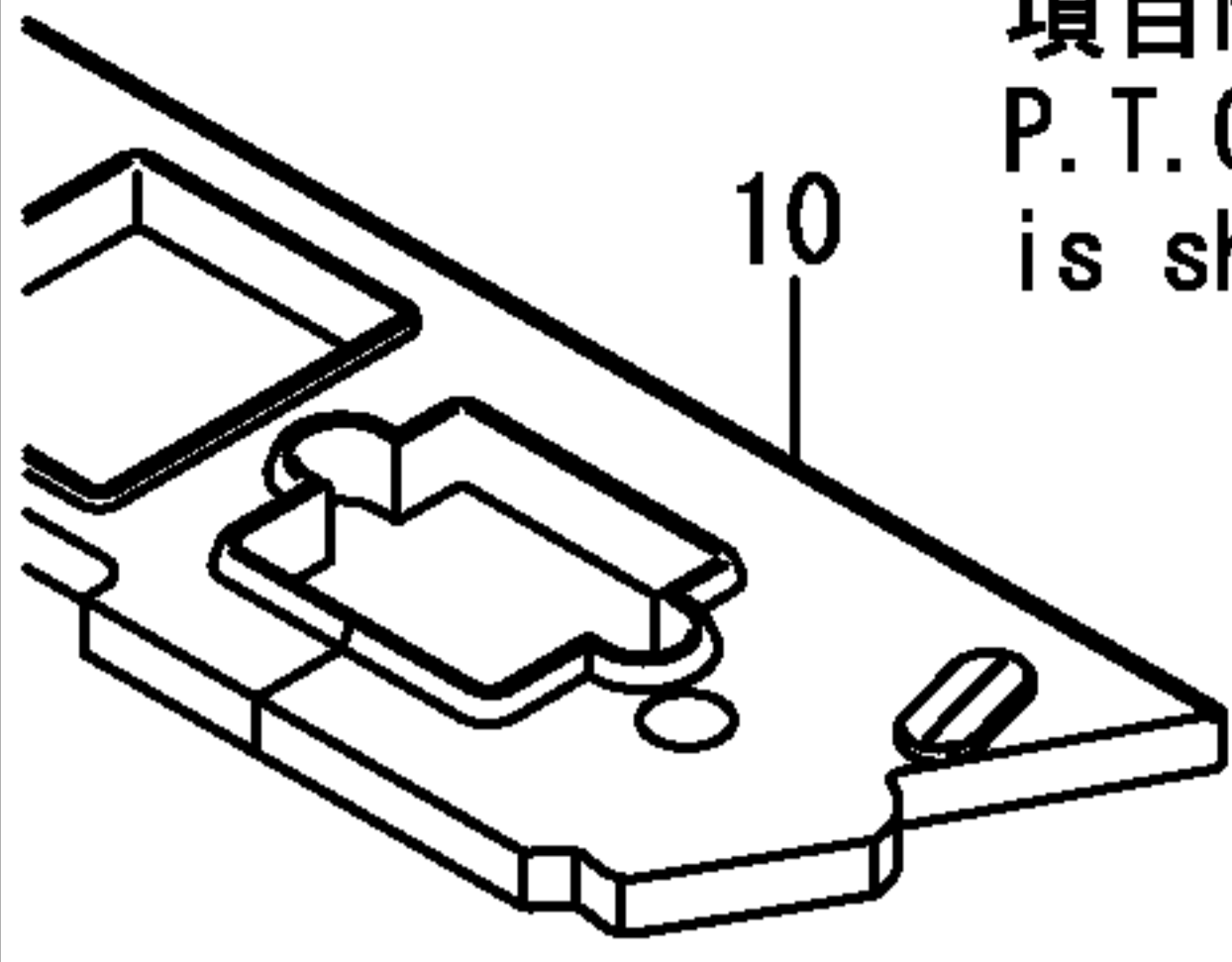




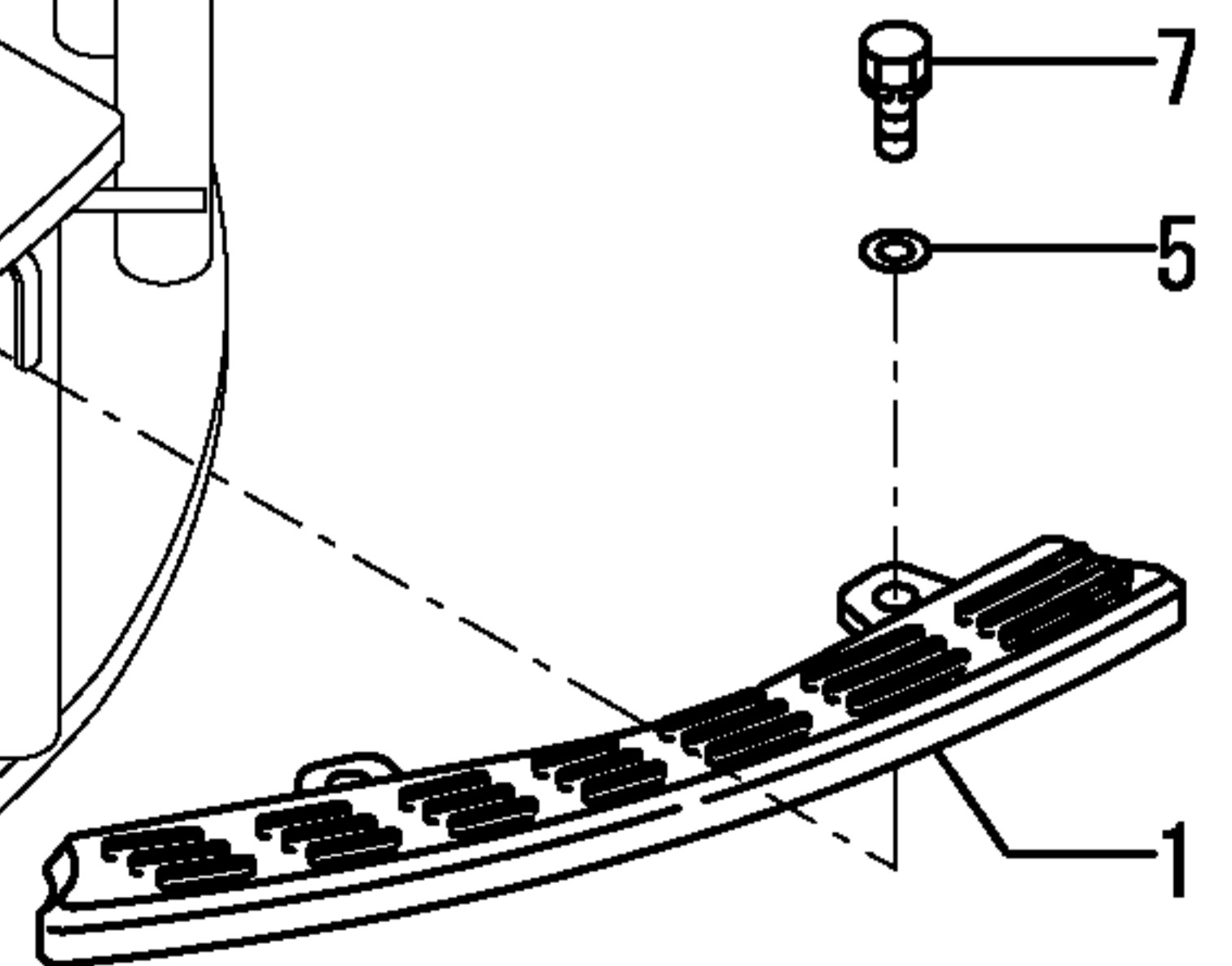
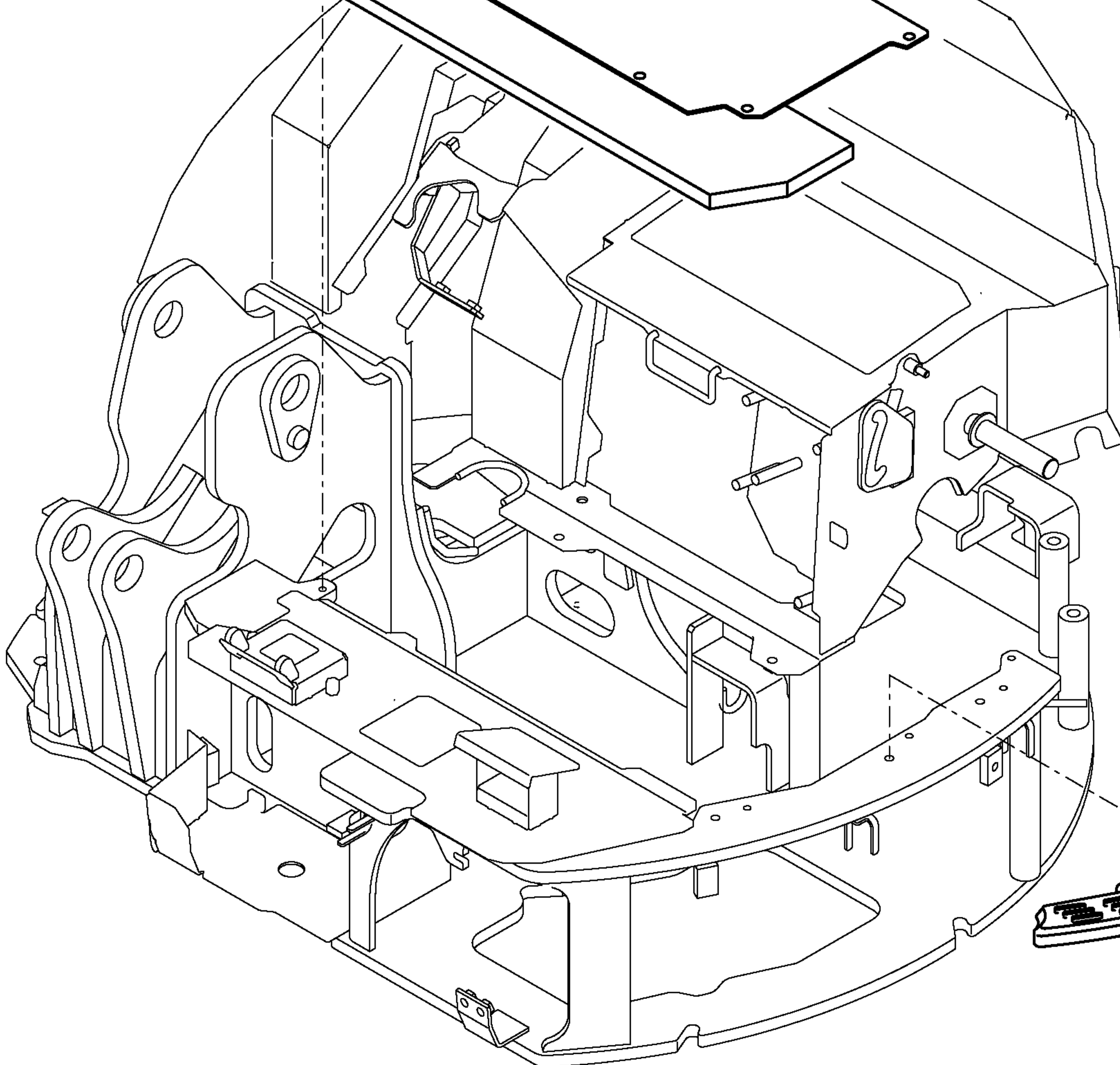
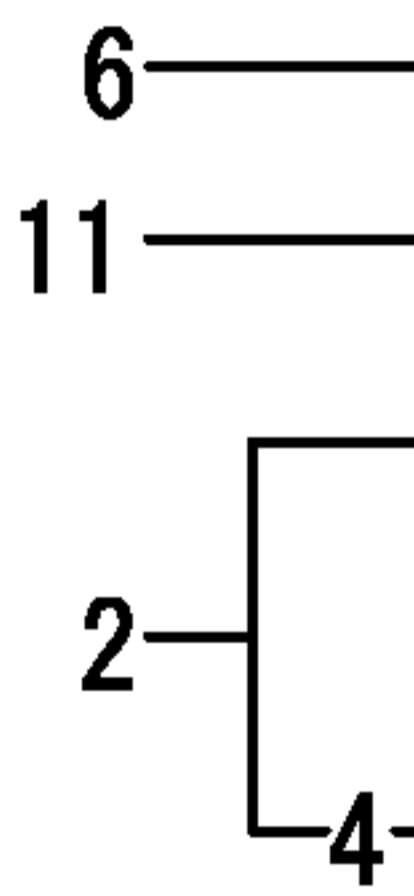
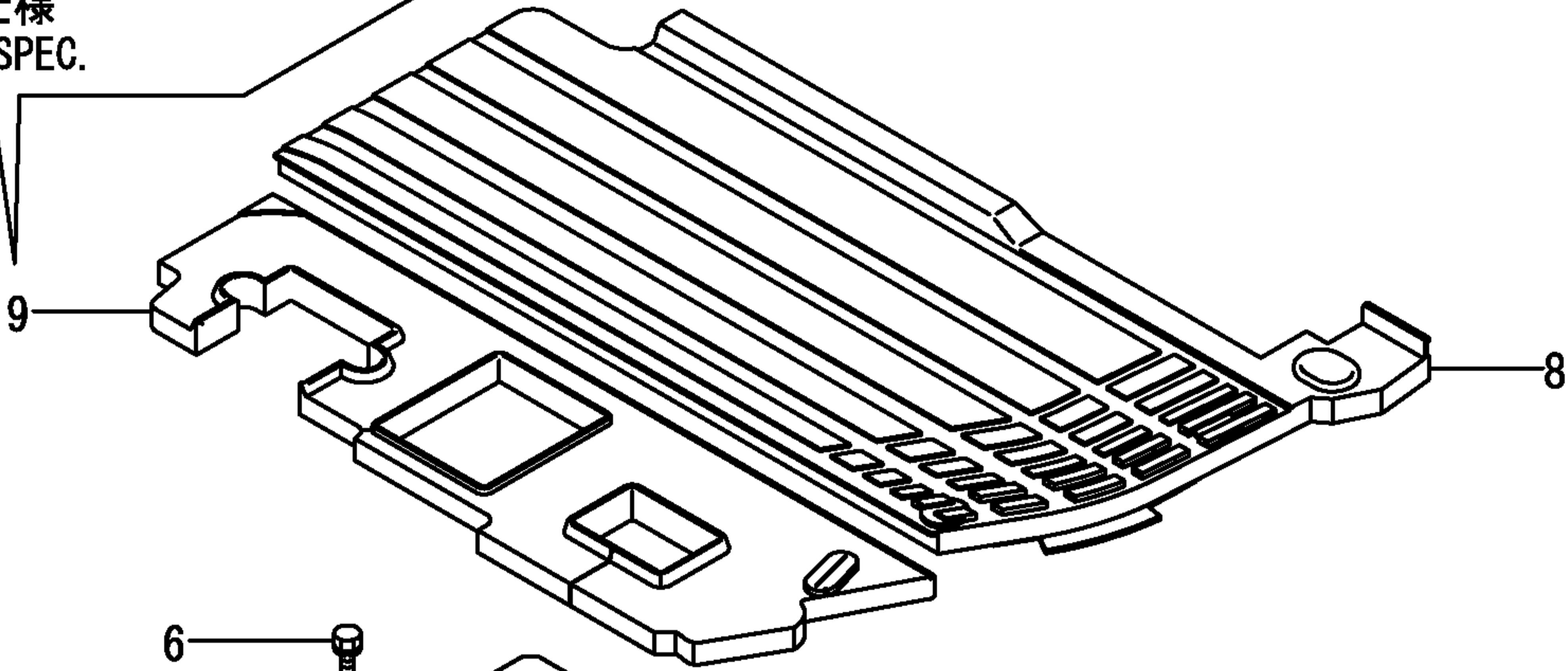


172487-08700

P.T.O.キットは、
項目NO. 85を参照下さい。
P.T.O. KIT
is shown in Fig. 85.



P.T.O仕様
P.T.O. SPEC.



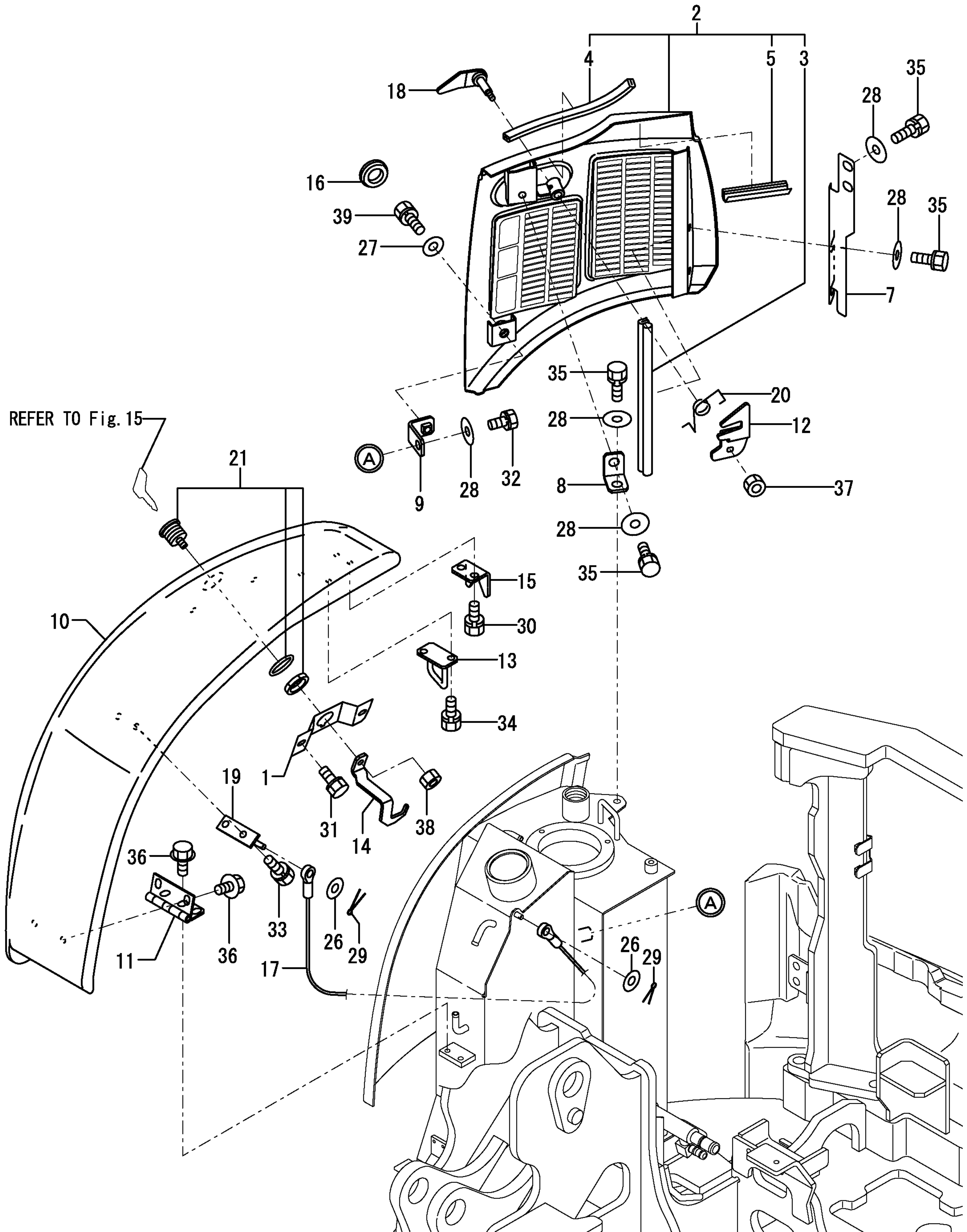
CLICK HERE TO **DOWNLOAD** THE COMPLETE MANUAL

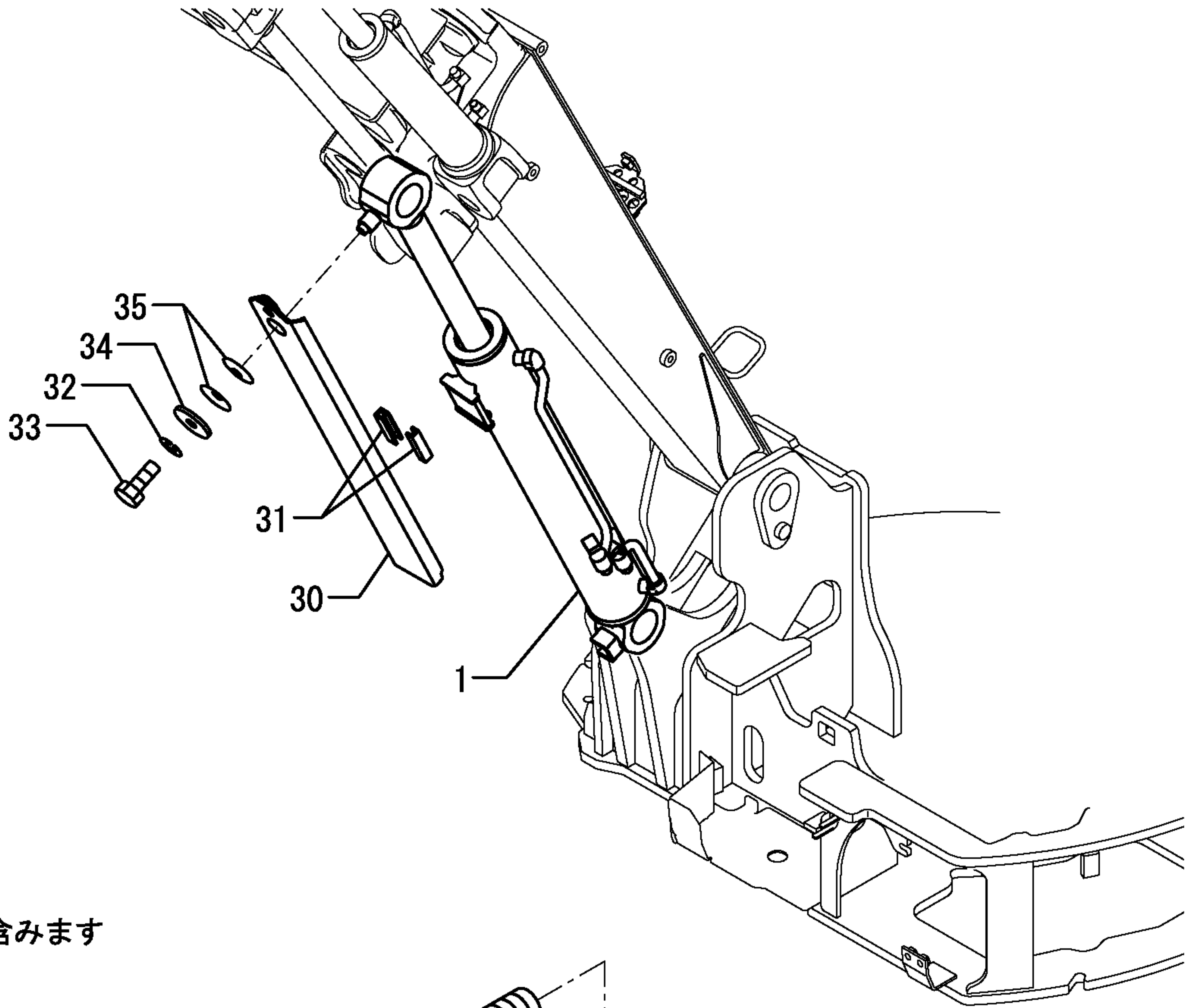
- Thank you very much for reading the preview of the manual.
- You can download the complete manual from: www.heydownloads.com by clicking the link below



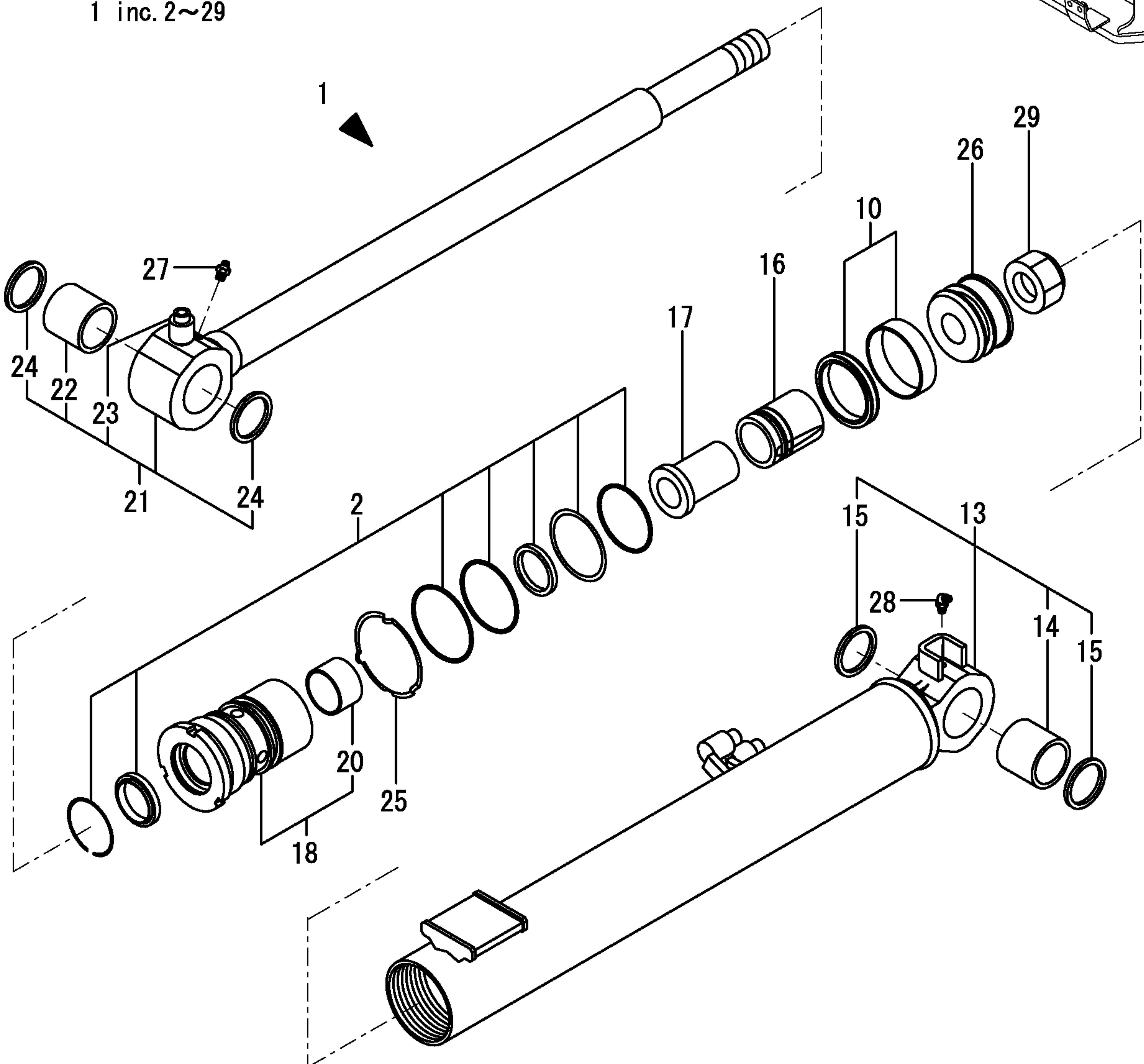
- Please note: If there is no response to CLICKING the link, please download this PDF first and then click on it.

CLICK HERE TO **DOWNLOAD** THE COMPLETE MANUAL





見出しNo. 1は
見出しNo. 2から29を含みます
1 inc. 2~29



88,1,,172456-73320,, "SEAL SET",2,2,,,,,,,,,,,,,,,,,,,,,
102,1,,26013-100252,, "BOLT W/WASHER M10X25",16,16,,,,,,,,,,,,,,,,,,,,,

1,2,,172456-74170,, "DRIVE L SEC. ASSY",1,1,,,,,,,,,,,,,
2,3,,172458-74130,, "DUST WIPER",1,1,,,,,,,,,,,,,
3,3,,172458-74140,, "BRACKET, OIL SEAL",1,1,,,,,,,,,,,,,I
4,3,,172458-74170,, "CAP, SPRING",1,1,,,,,,,,,,,,,I
5,3,,172456-74180,, "SPOOL ASSY, TRAVEL",1,1,,,,,,,,,,,,,I
6,3,,172458-74290,, "CHECK VALVE",1,1,,,,,,,,,,,,,I
7,3,,172458-74360,, "SPRING, CHECK VALVE",1,1,,,,,,,,,,,,,I
8,3,,172458-74460,, "PLUG GPM1/32",2,2,,,,,,,,,,,,,I
9,3,,172458-74640,, "STAY, CHECK VALVE",1,1,,,,,,,,,,,,,I
10,3,,24311-000120,, "O-RING 1A P 12.0",1,1,,,,,,,,,,,,,
11,3,,24315-000110,, "O-RING 1B P-11.0",1,1,,,,,,,,,,,,,
12,3,,26450-050102,, "BOLT M 5X 10",2,2,,,,,,,,,,,,,I
13,3,,26450-050182,, "BOLT 5* 18",2,2,,,,,,,,,,,,,I
14,2,,172456-74350,, "INLET DIVISION",1,1,,,,,,,,,,,,,
15,3,,172456-74400,, "VALVE, RELIEF 210/20",2,2,,,,,,,,,,,,,
16,3,,172458-74520,, "INLET SEC. ASSY",1,1,,,,,,,,,,,,,
17,4,,172458-74230,, "PACKING S 22",2,2,,,,,,,,,,,,,
18,4,,172458-74240,, "COVER B1, PILOT",1,1,,,,,,,,,,,,,I
19,4,,172458-74260,, "SWP HEX. BOLT 5X20",4,4,,,,,,,,,,,,,I
20,4,,172458-74530,, "SEAT, SPRING",1,1,,,,,,,,,,,,,I
21,4,,172458-74540,, "SPRING, RETURN",1,1,,,,,,,,,,,,,I
22,4,,172458-74550,, "COVER A2, PILOT",1,1,,,,,,,,,,,,,I
23,2,,172458-74720,, "PACKING G 4",2,2,,,,,,,,,,,,,
24,2,,24311-000060,, "O-RING 1A P-6.0",2,2,,,,,,,,,,,,,
25,2,,24311-000180,, "O-RING 1A P-18.0",1,1,,,,,,,,,,,,,

1,1,,172455-74701,, "VALVE ASSY, REMO.CON",2,2,,,,,1,,,,,,I
2,2,,172455-74240,, SPRING,8,8,,,,,,I
3,2,,172455-74710,, BELLOWS,2,2,,,,,,I
4,2,,172448-74760,, PLATE,2,2,,,,,,I
5,2,,172448-74770,, PLUG,8,8,,,,,,I
6,2,,172448-74780,, "ROD Q,PUSH",8,8,,,,,,I
7,2,,172448-74790,, SEAL,8,8,,,,,,I
8,2,,172448-74910,, "SEAT, SPRING",8,8,,,,,,I
9,2,,172448-74920,, WASHER,8,8,,,,,,I
10,2,,172448-74930,, SPRING,8,8,,,,,,I
11,2,,172448-74950,, "JOINT ASSY",2,2,,,,,,I
12,2,,172448-74960,, "PLATE, CIRCLE",2,2,,,,,,I
13,2,,172448-74970,, "NUT, ADJUST",2,2,,,,,,I
14,2,,24315-000200,, "O-RING 1B P-20.0",8,8,,,,,,I

1,1,,172162-76131,,ADAPTER,1,1,,,,,,,,,,,,,
2,1,,172422-76130,,CONNECTOR,2,2,,,,,,,,,,,,,
3,1,,172141-76180,,CONNECTOR,3,3,,,,,,,,,,,,,
4,2,,24315-000110,, "O-RING 1B P-11.0",3,3,,,,,,,,,,,,,
5,1,,172141-76180,,CONNECTOR,1,1,,,,,,,,,,,,,
6,2,,24315-000110,, "O-RING 1B P-11.0",1,1,,,,,,,,,,,,,
7,1,,172142-76181,, "JOINT 90-3/8 ASSY",4,4,,,,,,,,,,,,,
8,2,,24315-000140,, "O-RING 1B P-14.0",4,4,,,,,,,,,,,,,
9,1,,172116-76381,, "ADAPTER 64",3,3,,,,,,,,,,,,,
10,1,,24315-000140,, "O-RING 1B P-14.0",2,2,,,,,,,,,,,,,
11,1,,24315-000140,, "O-RING 1B P-14.0",3,3,,,,,,,,,,,,,
12,1,,24315-000140,, "O-RING 1B P-14.0",1,1,,,,,,,,,,,,,
13,1,,172456-78150,, "HOSE F403BC090S",1,1,,,,,,,,,,,,,
14,1,,172456-78170,, "HOSE P204BC067S",2,2,,,,,,,,,,,,,
15,1,,172422-78200,, "HOSE P206BC048S",4,4,,,,,,,,,,,,,

1,1,,172183-74820,, "STOP VALVE",2,2,,,,,,,,,,,,,,,,,,,,,
2,1,,172487-76550,, "TUBE,P.T.O.(GREEN:97",1,1,,,,,,,,,,,,,,,,,,,,,
3,1,,172487-76600,, "TUBE L,P.T.O(GREEN97",1,1,,,,,,,,,,,,,,,,,,,,,
4,1,,172487-76650,, "TUBE R,P.T.O(GREEN97",1,1,,,,,,,,,,,,,,,,,,,,,
5,1,,172487-78600,, "HOSE H206BB155K",1,1,,,,,,,,,,,,,,,,,,,,,
6,1,,172487-78610,, "HOSE H208BB155K",1,1,,,,,,,,,,,,,,,,,,,,,
7,1,,172487-78640,, "HOSE H208BC067K",1,1,,,,,,,,,,,,,,,,,,,,,
8,1,,172487-78650,, "HOSE H206BC067K",1,1,,,,,,,,,,,,,,,,,,,,,
9,1,,172456-78910,, "HOSE H208AB060W",2,2,,,,,,,,,,,,,,,,,,,,,
10,1,,23871-040000,, "PLUG PT1/2,SCREW",2,2,,,,,,,,,,,,,,,,,,,,,
11,1,,26013-100162,, "BOLT M10X 16",2,2,,,,,,,,,,,,,,,,,,,,,
12,1,,26013-100252,, "BOLT W/WASHER M10X25",4,4,,,,,,,,,,,,,,,,,,,,,
13,1,,26013-100252,, "BOLT W/WASHER M10X25",4,4,,,,,,,,,,,,,,,,,,,,,

1,1,,172141-77800,, "JOINT, GREASE",4,4,,,,,,,,,,,,,
2,1,,172175-77800,,HOSE,2,2,,,,,,,,,,,,,
3,1,,24761-020000,, "NIPPLE PT1/8,GREASE",2,2,,,,,,,,,,,,,

1,1,,172456-82700,, "ARM, BUCKET(GREEN:97)",1,,,,,,,,,,,,,
1-1,1,,172456-
82710,, "ARM, BUCKET(GREEN:97)",1,1,,,,,S,1,72456272,M/#50773,,,,,,,,,,,,,I
2,1,,172456-82710,, "ARM, BUCKET(GREEN:97)",1,,,,,,,,,,,,,
2-1,1,,172456-82701,, "ARM ASSY,
BUCKET(97)",1,1,,,,,S,1,72456272,M/#50773,,,,,,,,,,,,,I
3,1,,172456-82830,, "PIN 35X160 ASSY",2,,,,,,,,,,,,,
3-1,1,,172456-82831,, "PIN 35X160 ASSY",2,2,,,,,S,1,72456272,M/#50773,,,,,,,,,,,,,I
4,1,,172141-84403,, "LINK ASSY, BUCKET(97)",1,1,,,,,,,,,,,,,
5,2,,172141-72561,, "BUSH (35-45-30",2,2,,,,,,,,,,,,,
6,2,,172448-81610,, "SEAL 35X45X4,DUST",6,6,,,,,,,,,,,,,
7,2,,172141-82270,, "BUSH 35 45",2,2,,,,,,,,,,,,,
9,1,,24761-020000,, "NIPPLE PT1/8,GREASE",2,2,,,,,,,,,,,,,
10,1,,24761-020000,, "NIPPLE PT1/8,GREASE",2,2,,,,,,,,,,,,,
11,1,,26116-100752,, "BOLT M10X 75 PLATED",2,,,,,,,,,,,,,
11-1,1,,26116-100652,, "BOLT M10X 65
PLATED",2,2,,,,,S,1,72456272,M/#50773,,,,,,,,,,,,,I
12,1,,26716-100002,, "NUT 10",4,4,,,,,,,,,,,,,
13,1,,172171-81500,, "COLLAR
35X48.6X22",2,2,,,,,W,1,72456272,M/#50773,,,,,,,,,,,,,I
14,1,,172141-84601,, "SHIM 35",2,2,,,,,,,,,,,,,

1,1,,172487-08510,, "MULTI VALVE KIT",1,,,,,1,,,,,I
2,2,,172444-03290,,MAGNET,1,,,,,I
3,2,,172151-03551,,LABEL,1,,,,,I
4,2,,172487-74200,, "BRACKET,MULTI",1,,,,,I
5,2,,172151-74601,,VALVE,1,,,,,I
6,3,,182900-16530,, "COVER, UNDER",1,,,,,I
7,3,,182900-22300,,SPRING,1,,,,,I
8,3,,172151-74740,, "PLATE, MARK",1,,,,,I
9,3,,182900-77190,,BOLT,8,,,,,I
10,3,,182900-77200,,BOLT,8,,,,,I
11,3,,182900-77210,, "DUST SEAL",1,,,,,I
12,3,,182900-77220,,COVER,1,,,,,I
13,3,,182900-77230,, "WING BOLT",1,,,,,I
14,3,,182900-77240,,BOLT,2,,,,,I
15,3,,182900-77250,,LEVER,1,,,,,I
16,3,,24190-100001,, "BALL 5/16, STEEL",1,,,,,I
17,3,,24311-000280,, "O-RING 1A P-28.0",1,,,,,I
18,3,,24321-000600,, "O-RING 1A G-60.0",2,,,,,I
19,3,,953KM0-00220,,WASHER,2,,,,,I
20,3,,953KM0-00220,,WASHER,1,,,,,I
21,3,,953KM0-10894,, "PLUG, PT1/8",1,,,,,I
22,2,,172173-76101,, "CONNECTOR PF1/4-45",3,,,,,I
23,2,,172123-76121,, "JOINT PF1/4",2,,,,,I
24,2,,172141-76180,,CONNECTOR,11,,,,,I
25,3,,24315-000110,, "O-RING 1B P-11.0",11,,,,,I
26,2,,172456-78320,, "HOSE F403BB107S",1,,,,,I
27,2,,172456-78330,, "HOSE F403BB100S",1,,,,,I
28,2,,172456-78340,, "HOSE F403BB125S",1,,,,,I
29,2,,172456-78370,, "HOSE F403BB156S",1,,,,,I
30,2,,172456-78380,, "HOSE F403BB117S",1,,,,,I
31,2,,172456-78390,, "HOSE F403BB152S",1,,,,,I
32,2,,172456-78400,, "HOSE F403BB112S",1,,,,,I
33,2,,172456-78420,, "HOSE F403CE065S",1,,,,,I
34,2,,172458-78610,, "HOSE F403BE057",1,,,,,I
35,2,,172458-78620,, "HOSE F403BC030",1,,,,,I
36,2,,172458-78630,, "HOSE F403BC027",1,,,,,I
37,2,,172458-78640,, "HOSE F403BC027",1,,,,,I
38,2,,172458-78650,, "HOSE F403BB055",1,,,,,I
39,2,,172458-78660,, "HOSE F403BC030",1,,,,,I
40,2,,172458-78670,, "HOSE F403BC065S",1,,,,,I
41,2,,172458-78790,, "HOSE F403BB116S",1,,,,,I
42,2,,24315-000110,, "O-RING 1B P-11.0",4,,,,,I
43,2,,26013-100202,, "BOLT W/WASHER M10X20",3,,,,,I
44,2,,26013-100202,, "BOLT W/WASHER M10X20",3,,,,,I
45,2,,26013-100352,, "BOLT M10X 35",1,,,,,I

CLICK HERE TO **DOWNLOAD** THE COMPLETE MANUAL

- Thank you very much for reading the preview of the manual.
- You can download the complete manual from: www.heydownloads.com by clicking the link below



- Please note: If there is no response to CLICKING the link, please download this PDF first and then click on it.

CLICK HERE TO **DOWNLOAD** THE COMPLETE MANUAL