

PREFACE

1. This parts catalog covers the parts of crawler back - hoe Model B15 for AMMANN
YANMAR manufactured since February, 1997

Issue No. : 000Y00S3620

Date of Issue : May, 1997

2. The mounted engine of B15 is 3TNE68 - NBAB.

3. MODEL

SECTION	MODEL	CODE
I (VEHICLE)	B15C - AY	172194C
	B15CR - AY	172194A
	B15P - AY	172194D
	B15PR CKD	172194ア
	B15PR - AY	172194B
II (ENGINE)	3TNE68 - NBAB	Q19266A, BBB, U25

CLICK HERE TO **DOWNLOAD** THE COMPLETE MANUAL

- Thank you very much for reading the preview of the manual.
- You can download the complete manual from: www.heydownloads.com by clicking the link below



- Please note: If there is no response to CLICKING the link, please download this PDF first and then click on it.

CLICK HERE TO **DOWNLOAD** THE COMPLETE MANUAL

3 エアクリーナ & サイレンサ

Fig. 3 AIR CLEANER & SILENCER

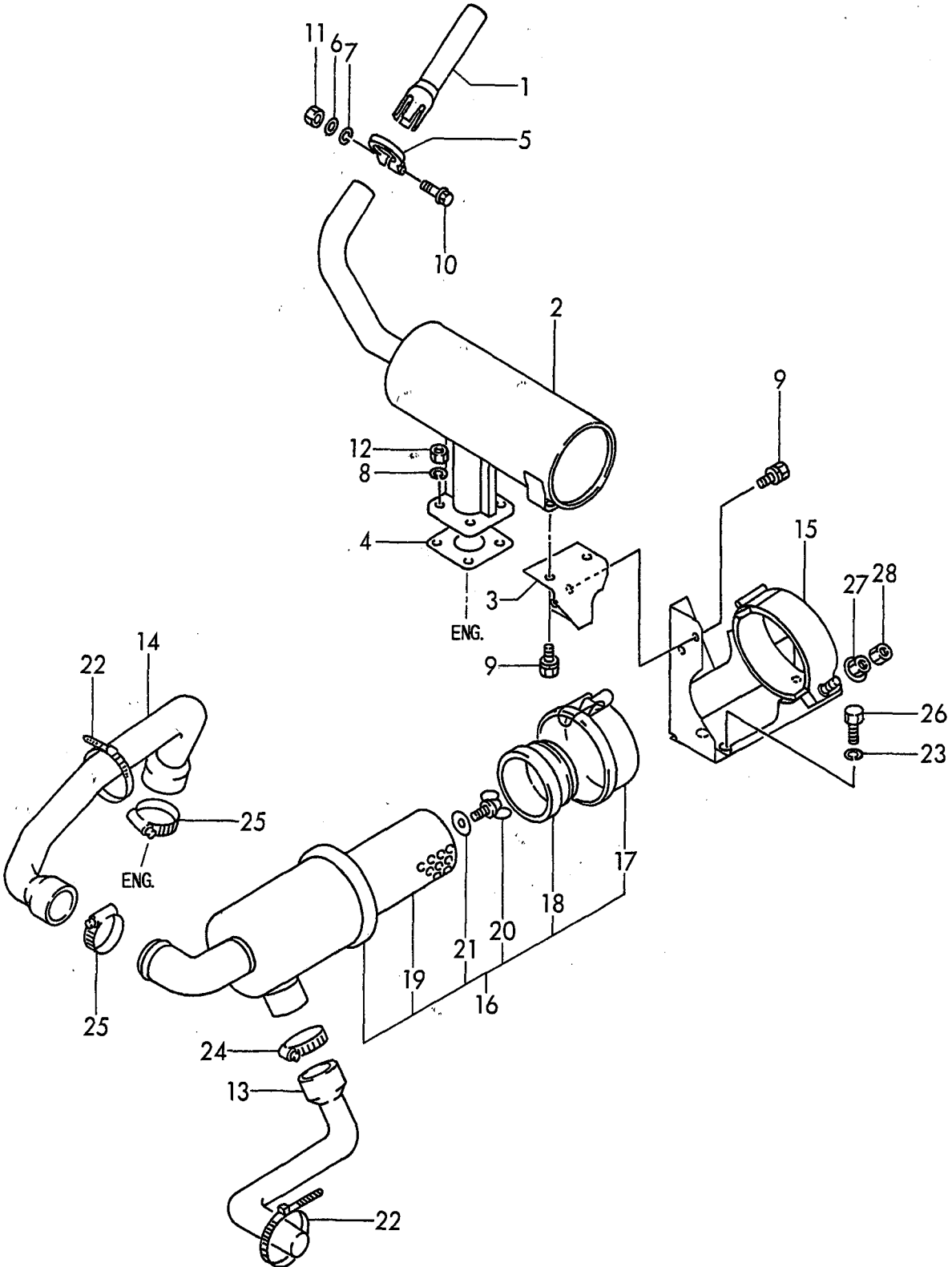


Fig. 8 バッテリ BATTERY

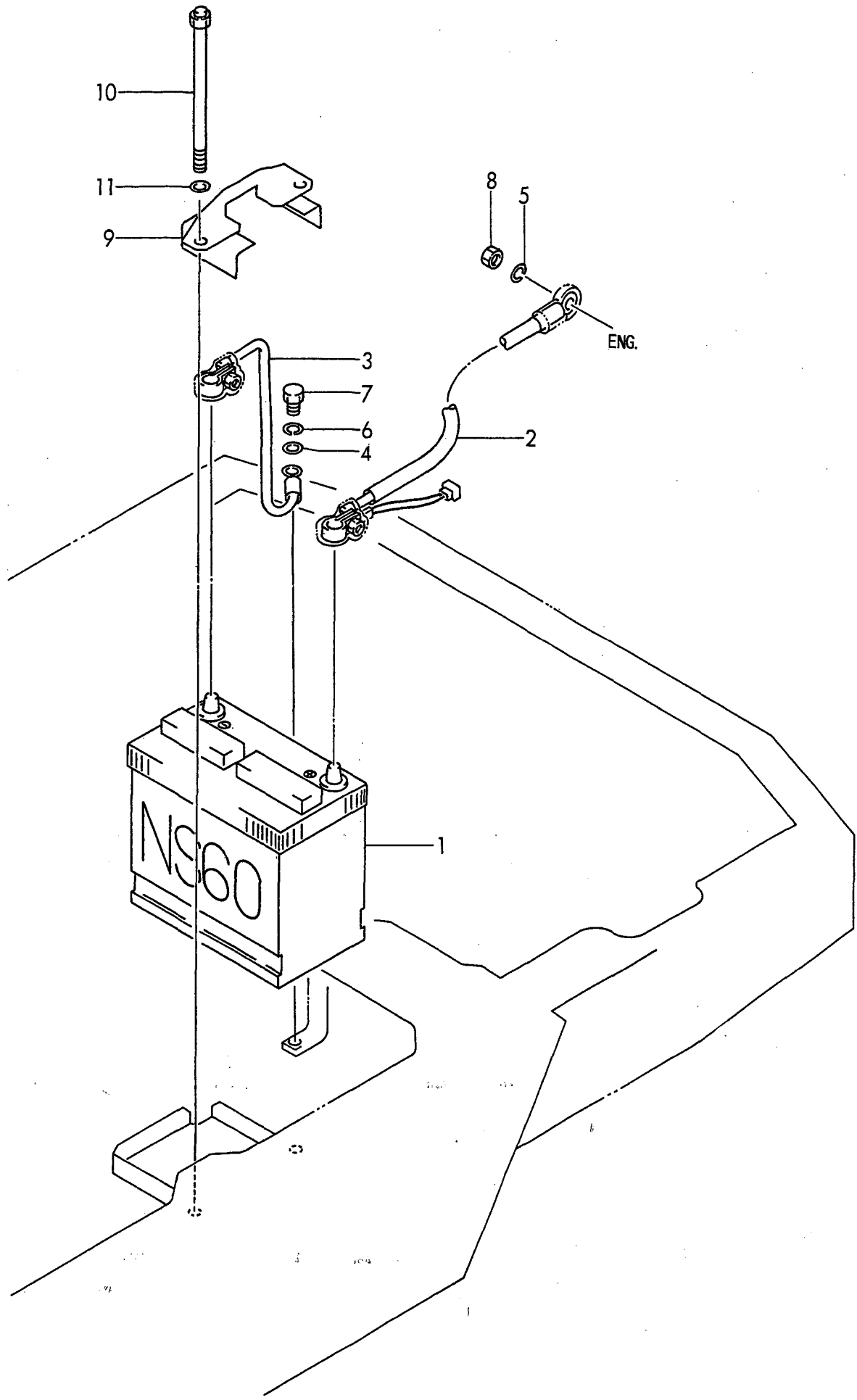


Fig. 13 ヒーター
HEATER

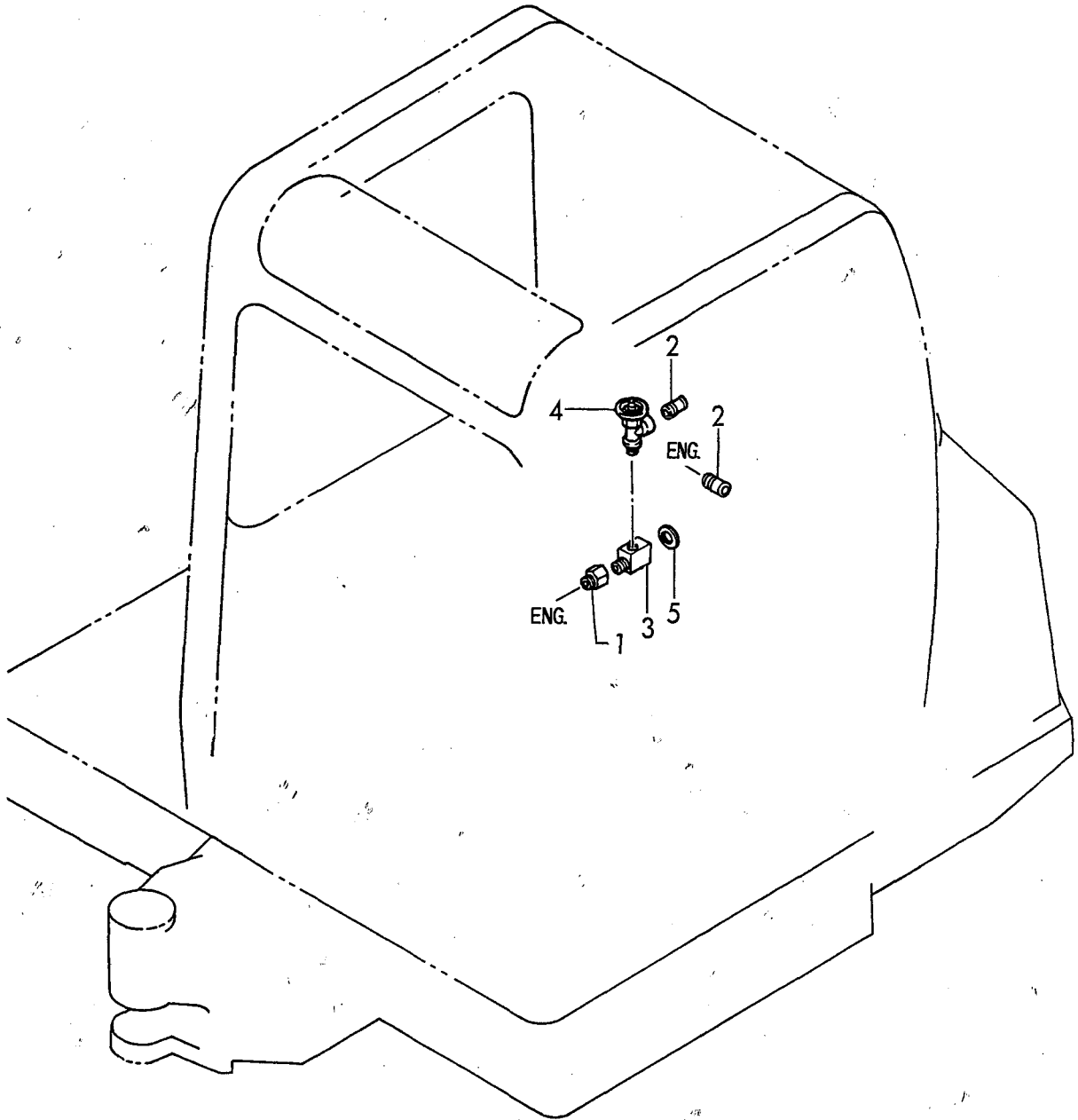
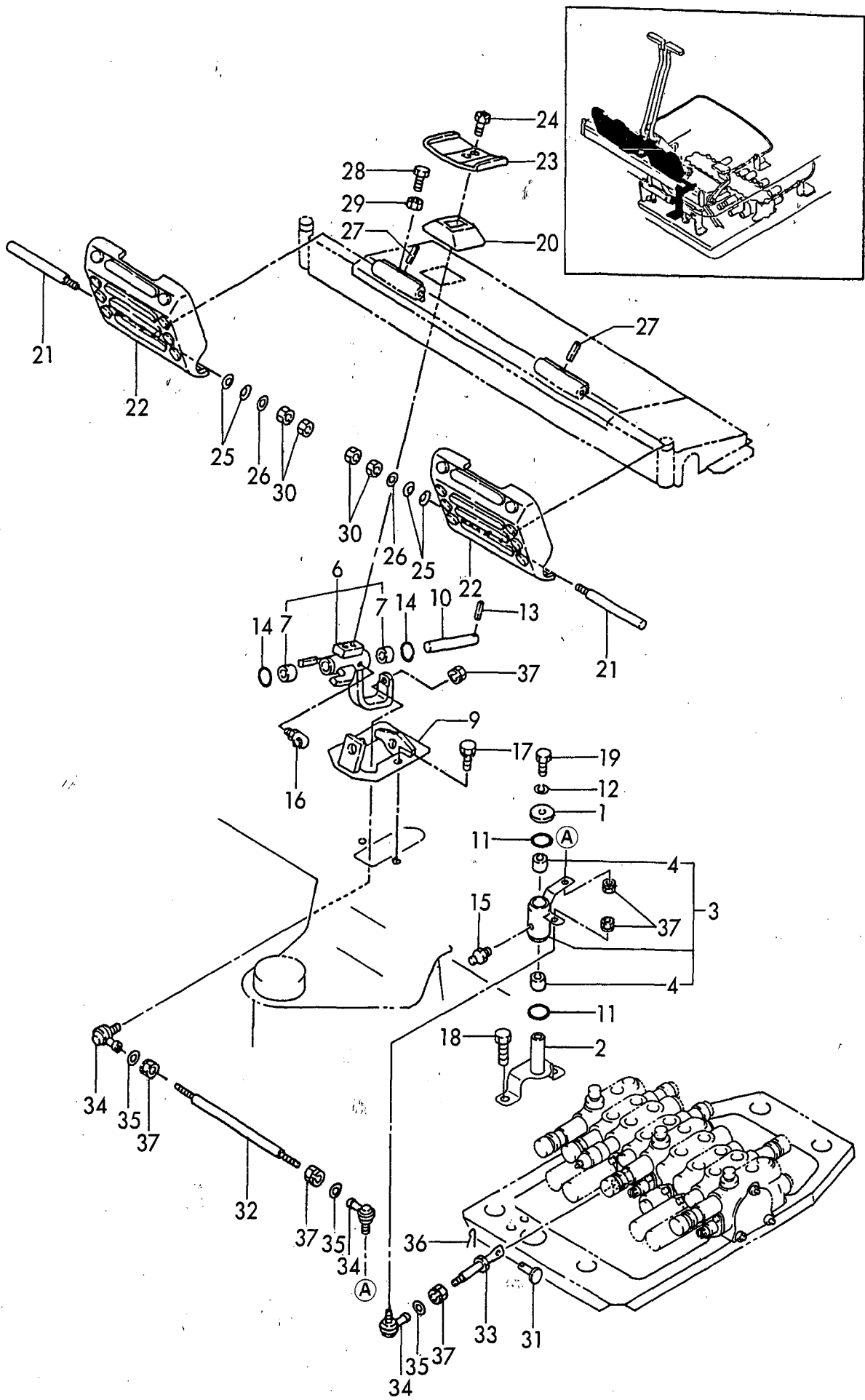


Fig. 18 操縦装置(スイング) CONTROL EQUIPMENT(SWING)



CLICK HERE TO **DOWNLOAD** THE COMPLETE MANUAL

- Thank you very much for reading the preview of the manual.
- You can download the complete manual from: www.heydownloads.com by clicking the link below



- Please note: If there is no response to CLICKING the link, please download this PDF first and then click on it.

CLICK HERE TO **DOWNLOAD** THE COMPLETE MANUAL

Fig. 23 フレームカバー(1)
FRAME COVER(1)

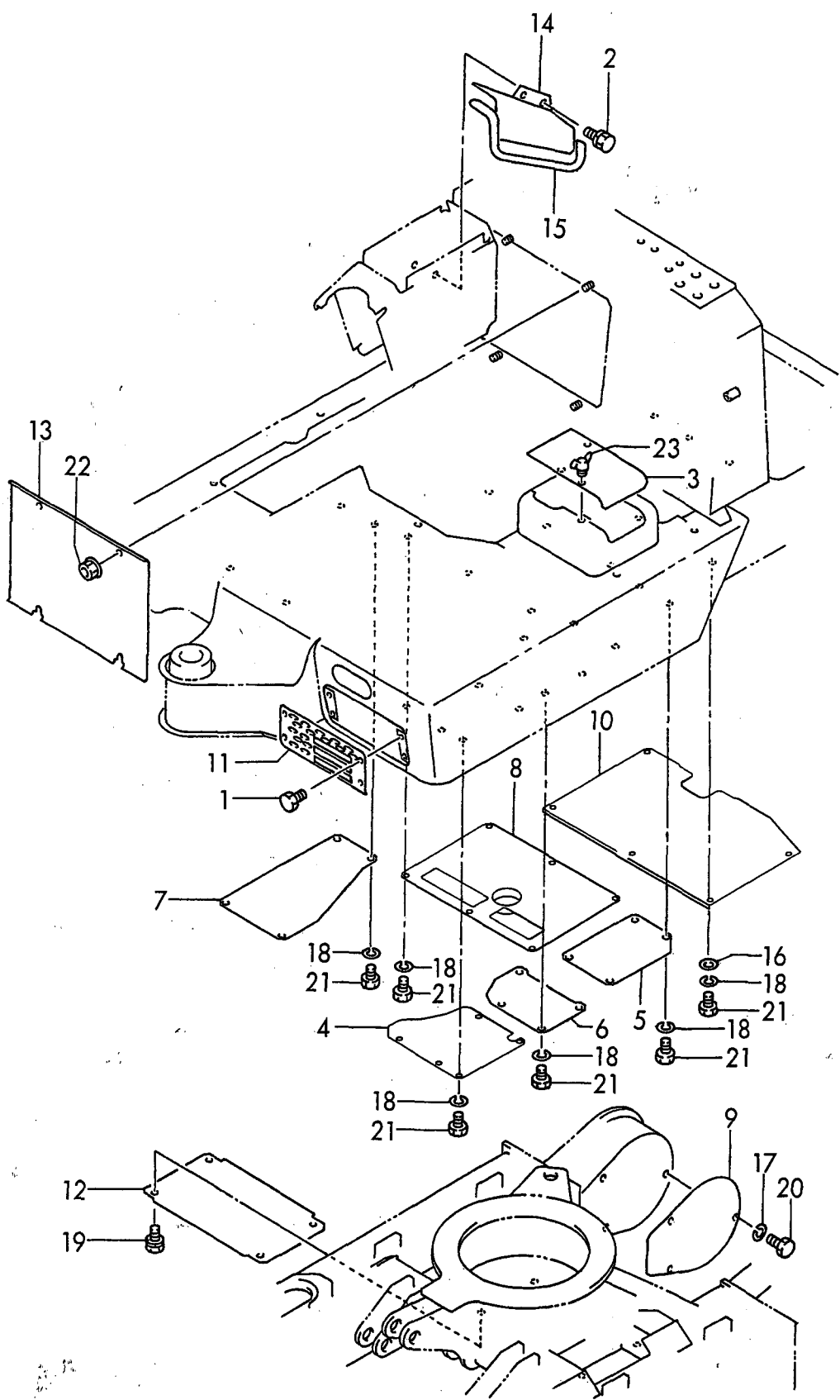


Fig. 28 **キャノピー**
CANOPY

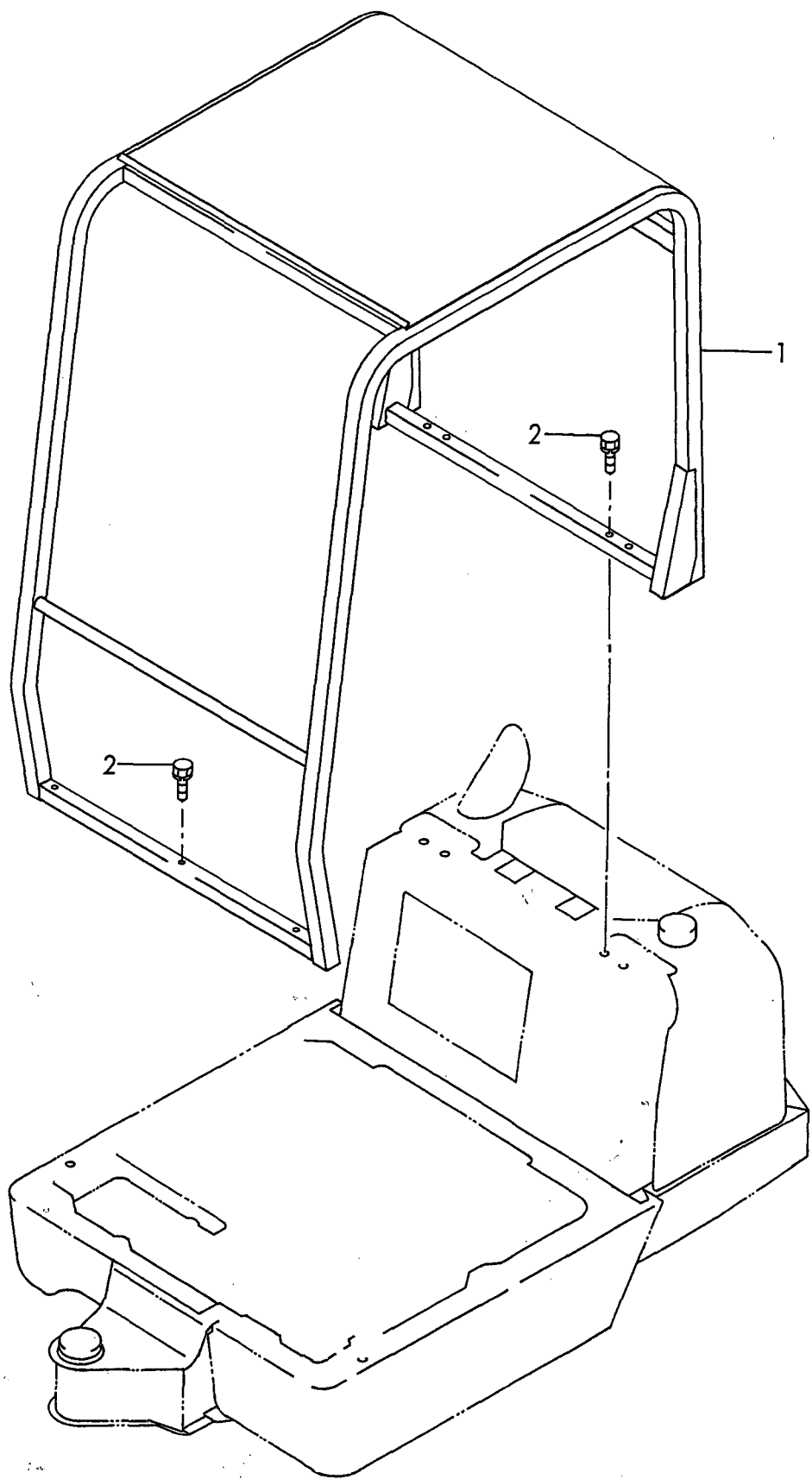


Fig. 38 コントロールバルブ CONTROL VALVE

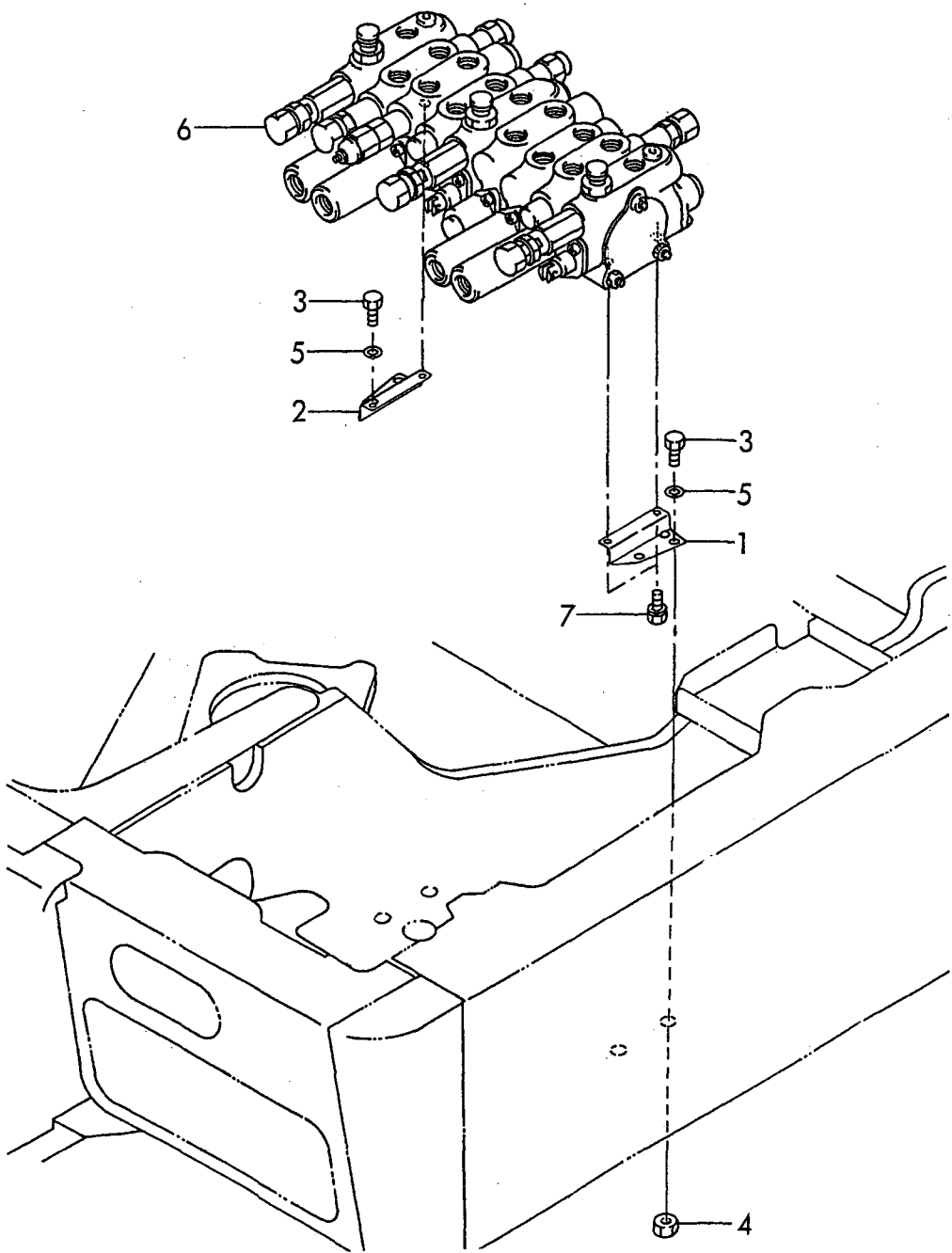


Fig. 43 油圧配管(タンク～ポンプ～バルブ)
HYD. OIL PIPING(TANK~PUMP~VALVE)

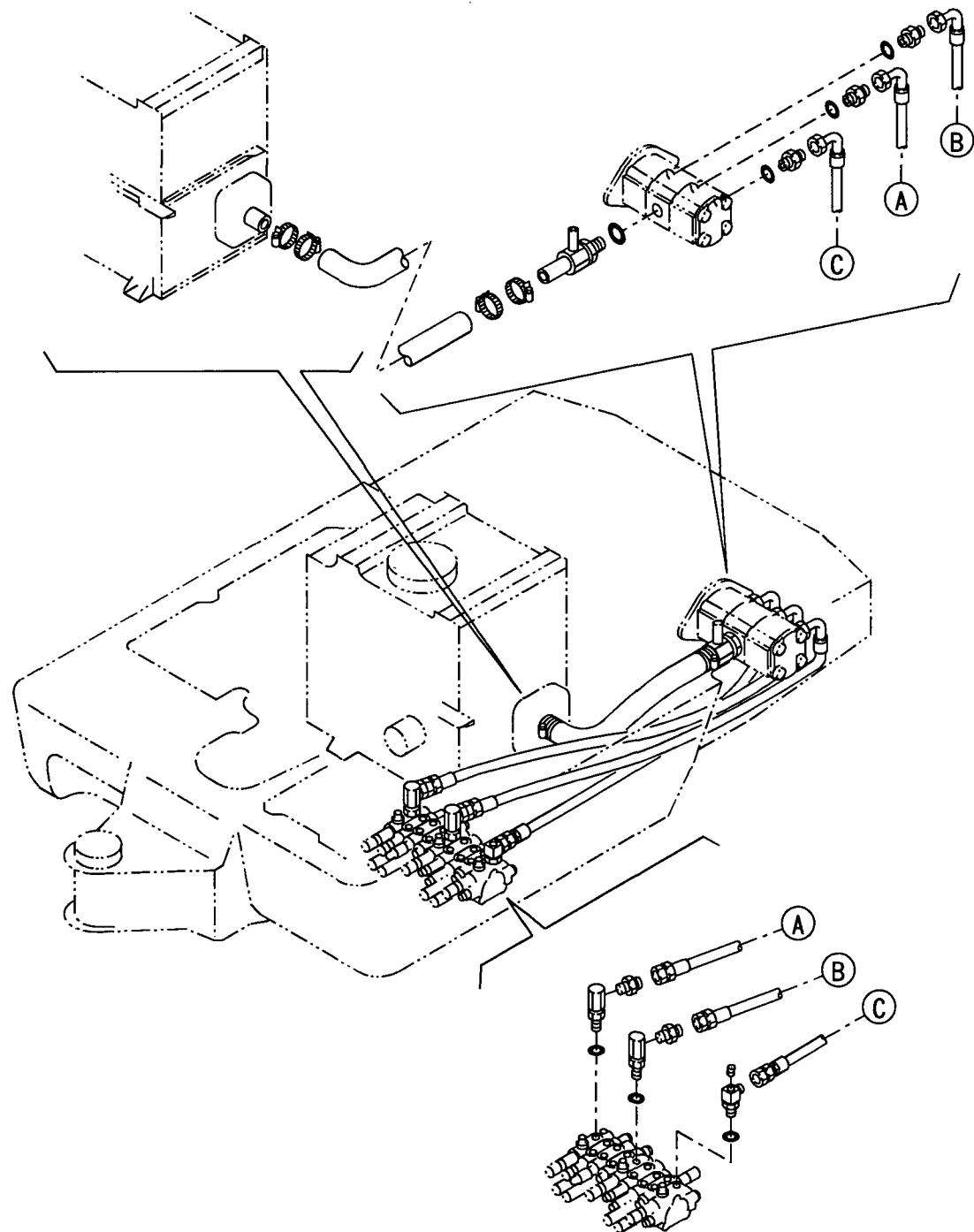
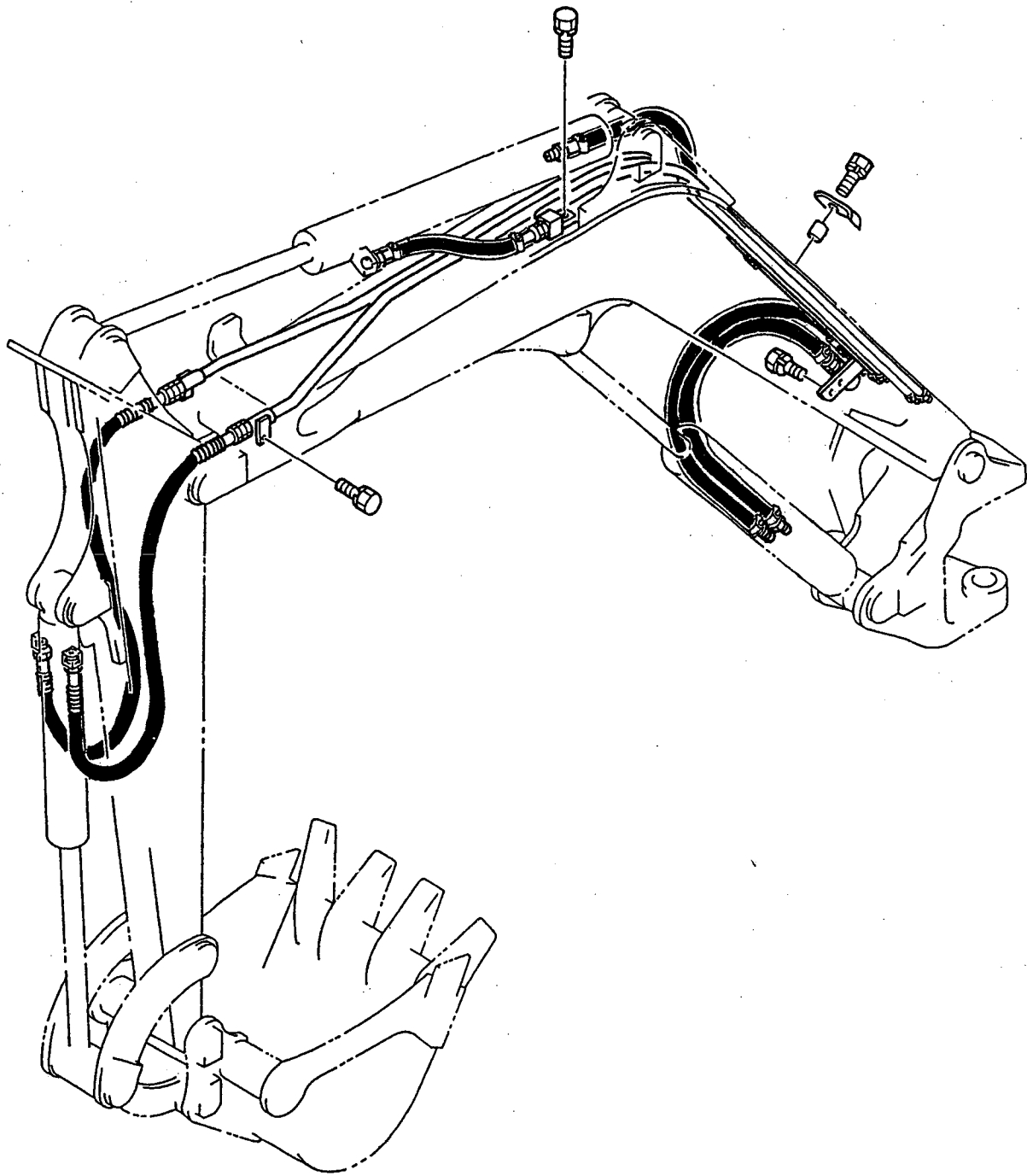


Fig. 48 油圧配管(ブーム)
HYD. OIL PIPING(BOOM)



CLICK HERE TO **DOWNLOAD** THE COMPLETE MANUAL

- Thank you very much for reading the preview of the manual.
- You can download the complete manual from: www.heydownloads.com by clicking the link below



- Please note: If there is no response to CLICKING the link, please download this PDF first and then click on it.

CLICK HERE TO **DOWNLOAD** THE COMPLETE MANUAL