




# **MANITOU**

## **HANDLING YOUR WORLD**

**GENUINE PARTS CATALOGUE  
CATALOGUE PIÈCES D'ORIGINE  
ORIGINAL ERSATZTEILKATALOG  
CATALOGO DE PIEZAS LEGITIMAS  
CATALOGO RICAMBI ORIGINALI**

This document has been printed from  **mye doc**

### **MANITOU BF**

Head office: 430, Rue de l'Aubinière  
44150 Ancenis - FRANCE  
Share capital: 39,548,949 euros  
857 802 508 RCS Nantes  
Tel: +33 (0)2 40 09 10 11  
[www.manitou.com](http://www.manitou.com)

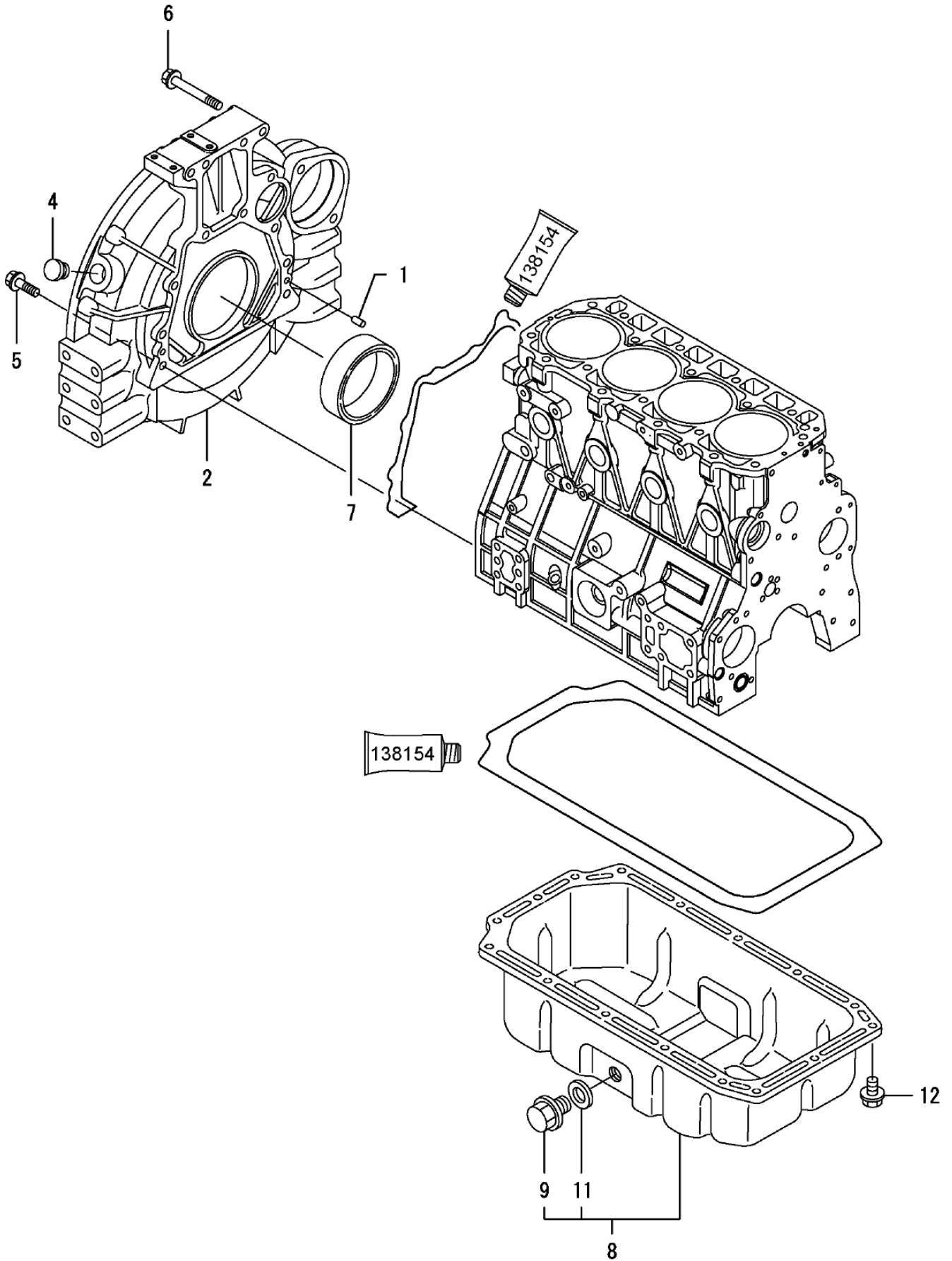
CLICK HERE TO **DOWNLOAD** THE COMPLETE MANUAL

- Thank you very much for reading the preview of the manual.
- You can download the complete manual from: [www.heydownloads.com](http://www.heydownloads.com) by clicking the link below



- Please note: If there is no response to CLICKING the link, please download this PDF first and then click on it.

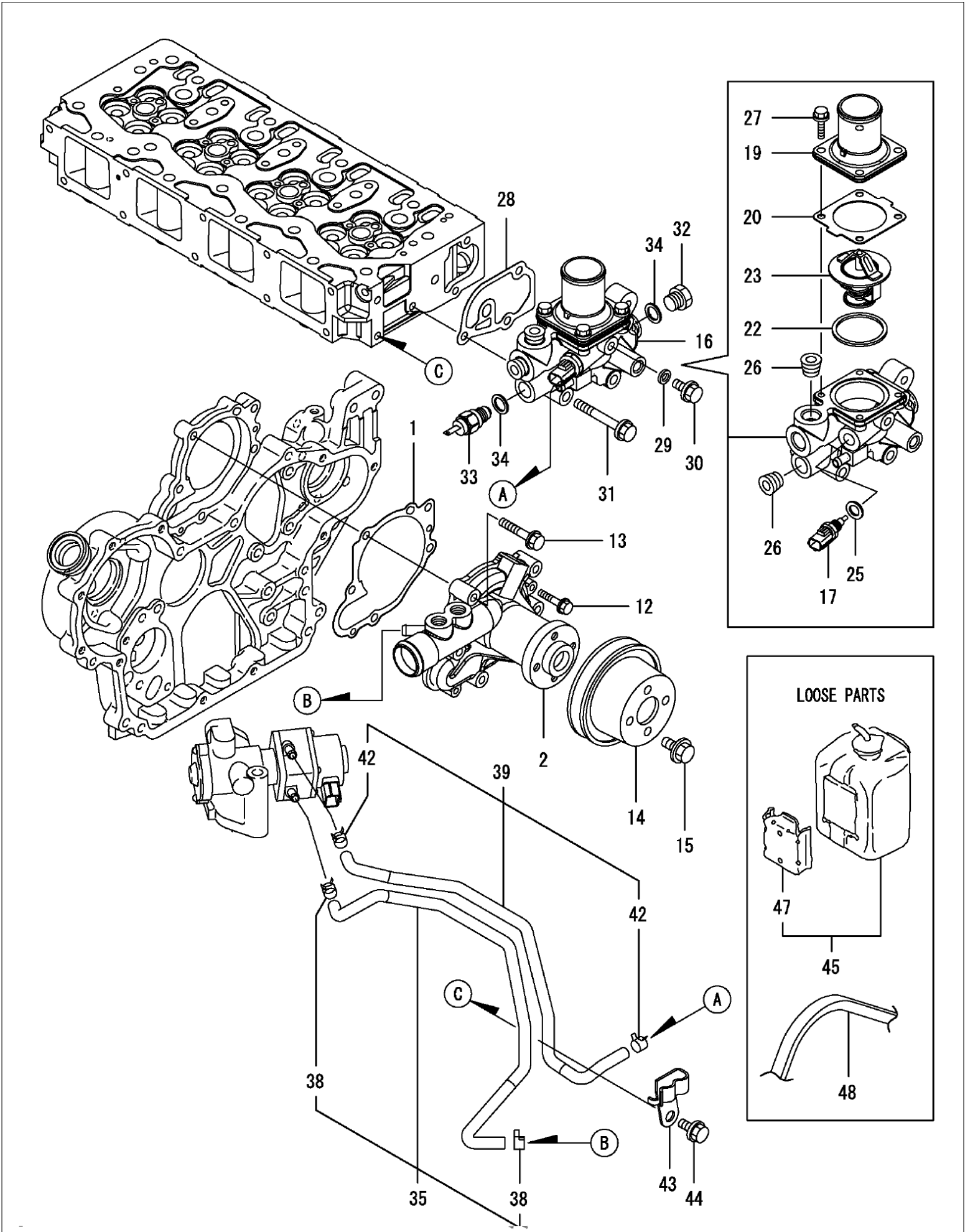
CLICK HERE TO **DOWNLOAD** THE COMPLETE MANUAL



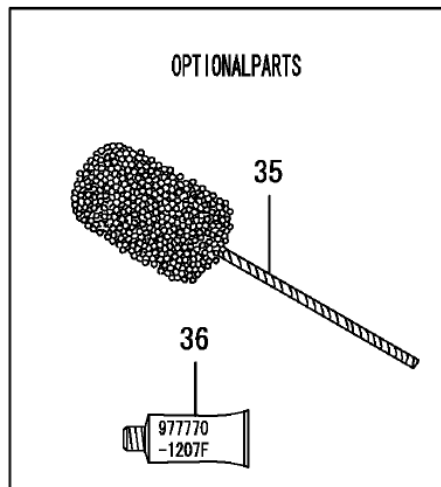
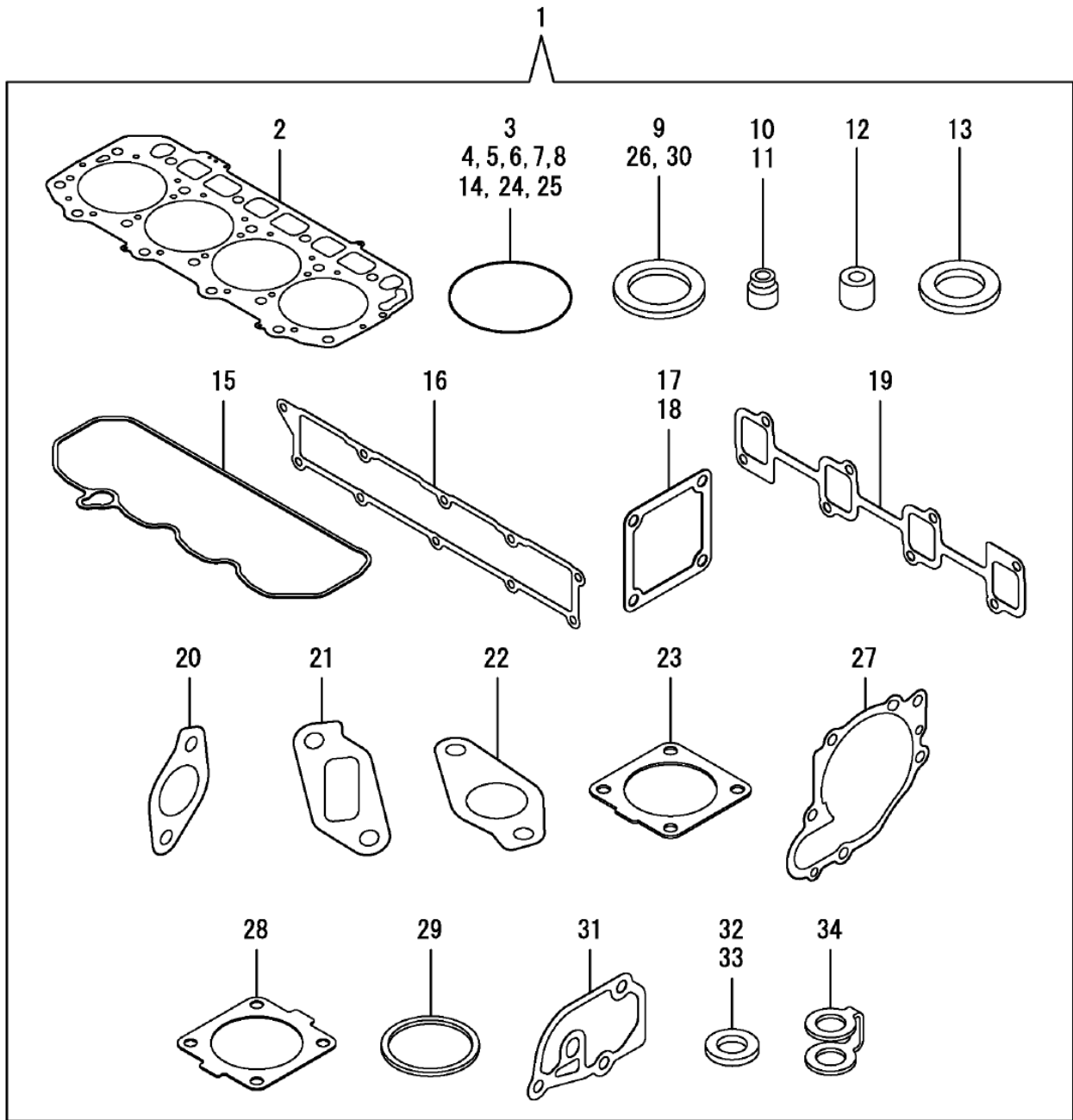
Item	Part No.	Name	Characteristics	Qty	Superseded PartNumber	Machine applicability
48	138140	NUT		2		
49	425-34740	FILLER CAP		1		
50	425-34775	KNOB		4		
51	50250221	BONNET ASSY		1		
52	186388	DIAPHRAGM BREATHER		1		
53	186389	CENTER PLATE		1		
54	186390	PLATE BREATHER		1		
55	186391	SPRING DIAPHRAGM		1		
56	50250222	PLATE, BAFFLE		1		
57	50250223	SPRING, PLATE		1		
58	50250224	BAFFLE		1		
59	50250225	SCREW M5X8		1		
60	197698	GASKET/BONNET		1		
61	197449	JOINT/BREATHER		1		
63	197572	CLIP		2		
64	186598	SCREW 5 X 10 TAPPING		6		
65	186598	SCREW 5 X 10 TAPPING		6		
66	186615	BOLT M6 X 12 PLATED		2		
67	425-34776	O-RING 1A P-12.0		4		
68	425-34745	O-RING 1A P-32.0		1		
69	186519	LIFTER ENGINE		1		
70	197668	LIFTER, ENGINE		1		
71	425-34733	BOLT M8 X 16 PLATED		2		
72	425-34746	BOLT M8 X 20 PLATED		2		
73	186533	GUIDE VALVE		16		

Item	Part No.	Name	Characteristics	Qty	Superseded PartNumber	Machine applicability
1	50250103	MANIFOLD ASSY, EXHAUST		1		
2	50250104	MANIFOLD, EXHAUST		1		
3	425-36249	BOLT M8 X 22		4		
4	138512	STUD BOLT M8X20		2		
5	50250105	STUD		2		
6	425-36128	EXHAUST MANIFOLD GASKET		1		
7	197462	BOLT M8X90		6		
8	138140	NUT		2		
9	197627	GASKET/EGR PIPE		2		
10	50250106	PIPE		1		
11	50250107	PIPE(EGR CMP		1		
12	425-34733	BOLT M8 X 16 PLATED		2		
13	425-34733	BOLT M8 X 16 PLATED		2		
14	197807	BOLT M10X30 PLATED		2		
15	197628	EGR VALVE		1		
16	197629	GASKET (EGR-V IN)		1		
17	197630	GASKET (EGR-V OUT)		1		
18	197807	BOLT M10X30 PLATED		1		
19	138522	BOLT M10 X 95 PLATED		1		
20	138104	Gasket		1		

Item	Part No.	Name	Characteristics	Qty	Superseded PartNumber	Machine applicability
1	425-34825	TUBE EXTENSION		1		
2	197607	DIPSTICK		1		
3	197683	DIPSTICK		1		
4	425-34827	O-RING 1A P-10A		1		
5	425-34733	BOLT M8 X 16 PLATED		1		
6	186302	STUD LUB.OIL FILTER		1		
7	195568	CARTRIDGE/FILTER/ENGINE OIL		1		
8	138100	O-RING		1		
9	197743	PIPE ASSY/L. OIL INLET		1		
14	425-34729	BOLT M8 X 12 PLATED		1		
15	425-34733	BOLT M8 X 16 PLATED		1		
16	425-36085	SENDER/OIL PRESSURE		1		
17	197633	PIPE ASSY/LUB OIL		1		
19	186421	SUPPORT PIPE		1		
21	186468	BOLT ASSY JOINT		2		
22	425-34750	WASHER 8/SEAL		2		
23	186600	JOINT BOLT 3		2		
24	425-34750	WASHER 8/SEAL		2		
25	425-34729	BOLT M8 X 12 PLATED		1		
26	186565	PIPE		1		
27	186300	BOLT PIPE JOINT		2		
28	425-34750	WASHER 8/SEAL		4		
28-1	425-34750	WASHER 8/SEAL		2		
29	425-34729	BOLT M8 X 12 PLATED		2		



Item	Part No.	Name	Characteristics	Qty	Superseded PartNumber	Machine applicability
2	197769	PACKING/CASE		1		
19	425-35343	NUT, GOVERNOR WEIGHT		1		
Not Shown	197488	NUT/GOVERNOR WEIGHT		1		
22	197767	SENSOR		1		
23	197760	GEAR/SENSOR		1		
24	425-35959	SEAL WASHER 12S		1		
Not Shown	425-34935	PACKING 12		1		
25	50250079	PLUG M12		1		
Not Shown	425-35174	PLUG 22		1		
26	197797	O-RING 1A S-48.0		1		
27	197805	BOLT M6X25 PLATED		10		
28	425-34765	BOLT M8 X 25 PLATED		3		
29	425-35164	BOLT M6 X 16 PLATED		1		



CLICK HERE TO **DOWNLOAD** THE COMPLETE MANUAL

- Thank you very much for reading the preview of the manual.
- You can download the complete manual from: [www.heydownloads.com](http://www.heydownloads.com) by clicking the link below



- Please note: If there is no response to CLICKING the link, please download this PDF first and then click on it.

CLICK HERE TO **DOWNLOAD** THE COMPLETE MANUAL