




**GENUINE PARTS CATALOGUE
CATALOGUE PIÈCES D'ORIGINE
ORIGINAL ERSATZTEILKATALOG
CATALOGO DE PIEZAS LEGITIMAS
CATALOGO RICAMBI ORIGINALI**

This document has been printed from 

MANITOU BF

Head office: 430, Rue de l'Aubinière
44150 Ancenis - FRANCE
Share capital: 39,548,949 euros
857 802 508 RCS Nantes
Tel: +33 (0)2 40 09 10 11
www.manitou.com

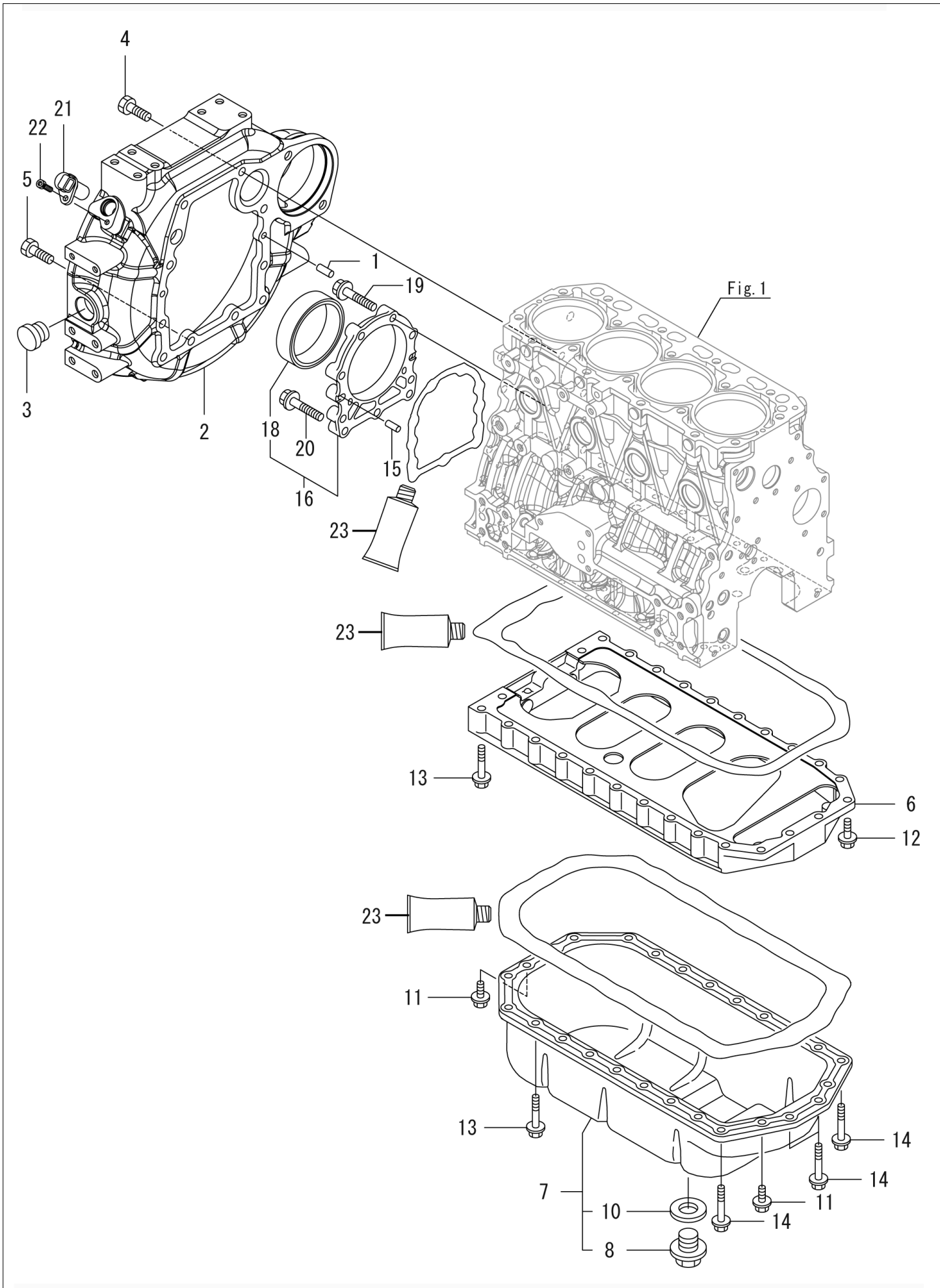
CLICK HERE TO **DOWNLOAD** THE COMPLETE MANUAL

- Thank you very much for reading the preview of the manual.
- You can download the complete manual from: www.heydownloads.com by clicking the link below



- Please note: If there is no response to CLICKING the link, please download this PDF first and then click on it.

CLICK HERE TO **DOWNLOAD** THE COMPLETE MANUAL



Item	Part No.	Name	Characteristics	Qty	Superseded PartNumber	Machine applicability
1	138082	Gasket		1		
2	50288068	DPF STAY		1		
3	50288124	DPF STAY		1		
4	50288086	DPF STAY		1		
5	50288087	DPF STAY		1		
7	50250378	SENSOR, EXH TEMP		1		
8	50250379	SENSOR, EXH TEMP		1		
9	50288111	DPF ASSY		1		
10	50288130	DOC CASE		1		
12	50288117	SOOT FILTER CASE		1		
14	50288123	DPF SILENCER		1		
15	50287062	DPF GASKET		2		
16	50250342	BOLT, M8 X 28 10.9T		16		
17	50287167	DPF LIFTING BRACKET		1		
18	50287063	DPF STIFFENER		5		
19	50288066	DPF STIFFENER		1		
20	50287066	DPF STIFFENER		1		
21	50288067	DPF STIFFENER		1		
22	188736	BOLT/M8X14 PLATED		2		
23	138140	NUT		16		
24	50288088	PRESSURE SENSOR UNIT		1		
25	50250337	BOLT, PIPE JOINT		2		
26	50250343	GASKET, SENSOR		4		
27	50288091	SENSOR PIPE ASSY		1		
28	50288092	SENSOR PIPE ASSY		1		
29	50250346	HOSE ASSY, PRES EXH		1		
31	50250344	CLIP, HOSE		2		
32	50250347	HOSE ASSY, PRES EXH		1		
33	50250345	CLIP, HOSE		2		
35	50290613	PRESSURE SENSOR		1		
36	50250349	BRACKET, SENSOR		1		
37	425-35164	BOLT M6 X 16 PLATED		2		
38	425-34746	BOLT M8 X 20 PLATED		2		
39	50250371	CLIP, BAND		1		
40	50250381	BAND		1		
41	50250373	CLIP, CONNECTOR		2		
42	425-34733	BOLT M8 X 16 PLATED		2		
43	425-34733	BOLT M8 X 16 PLATED		3		

Item	Part No.	Name	Characteristics	Qty	Superseded PartNumber	Machine applicability
50	188500	BELT ADJUSTER		1		
51	188495	BELT ADJUSTER		1		
52	192273	ADJUSTER BOLT		1		
53	425-34747	BOLT M8 X 45 PLATED		1		
54	50288064	V-BELT		1		
55	425-36233	Bottle/Overflow Assy		1		
57	188526	CAP		1		
58	186461	CLAMP		1		
59	188720	PIPE 7 X 230		1		
60	425-36235	CLAMP		1		
61	425-36152	SUB-TANK BRACKET		1		

Item	Part No.	Name	Characteristics	Qty	Superseded PartNumber	Machine applicability
1	50288143	ECU ASSY.		1		

CLICK HERE TO **DOWNLOAD** THE COMPLETE MANUAL

- Thank you very much for reading the preview of the manual.
- You can download the complete manual from: www.heydownloads.com by clicking the link below



- Please note: If there is no response to CLICKING the link, please download this PDF first and then click on it.

CLICK HERE TO **DOWNLOAD** THE COMPLETE MANUAL