

# **PARTS CATALOGUE**

**MODEL YEAR 1997**

**YZF600**

**YZF600RJ(5AH1) U49**

**YZF600RJC(5HA2) CALIFORNIA**

**STARTING VIN (5AH1): JYA5AHE0\*VA000135 and following**  
**STARTING VIN (5HA2): JYA5AHC0\*VA000135 and following**

Color Code	Color-Rite Code	Color Name	Abbreviation
004B	5492+ 1/1492	BLACK 2	BW2
006M	5185	STAR SILVER	SS
0564	5815	DEEP PURPLISH BLUE METALLIC C	DPBMC
0121	5335/1065	VIVID RED COCKTAIL 1	VRC1

**OWNERS LIT-11626-10-55**

**ASSEMBLY LIT-11666-10-55**

**SERVICE LIT-11616-10-55**

CLICK HERE TO **DOWNLOAD** THE COMPLETE MANUAL

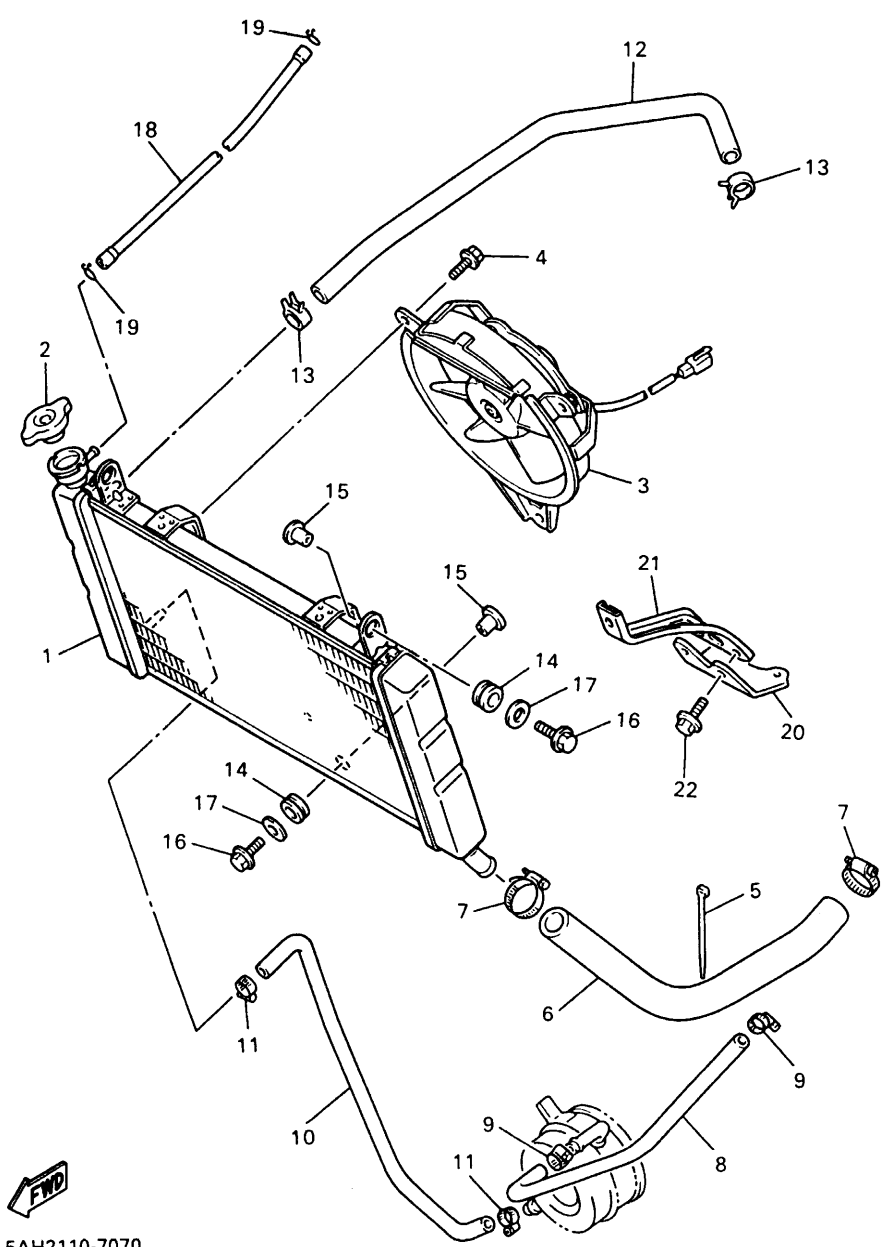
- Thank you very much for reading the preview of the manual.
- You can download the complete manual from: [www.heydownloads.com](http://www.heydownloads.com) by clicking the link below



- Please note: If there is no response to CLICKING the link, please download this PDF first and then click on it.

CLICK HERE TO **DOWNLOAD** THE COMPLETE MANUAL

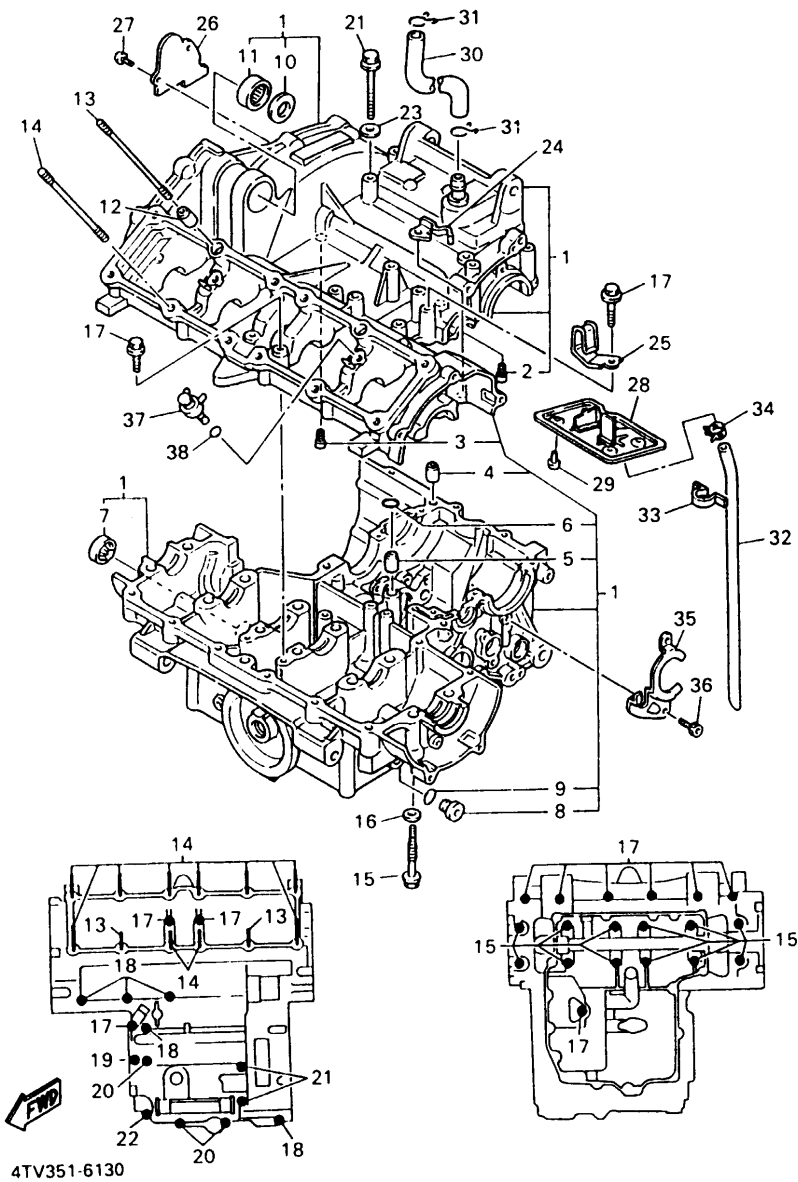
# RADIATOR HOSE



5AH2110-7070

Ref. No.	Part Number	Description	Qty	Remarks
1	4TV-12461-00-00	RADIATOR ASSY .....	1	
2	4JH-12462-00-00	CAP, RADIATOR .....	1	
3	4JH-12405-00-00	BLOWER ASSY .....	1	
4	95811-06010-00	BOLT, FLANGE .....	3	
5	90464-12045-00	CLAMP .....	1	
6	4TV-12578-00-00	HOSE 3 .....	1	
7	90450-32051-00	HOSE CLAMP ASSY .....	2	
8	4TV-12579-00-00	HOSE 4 .....	1	
9	90450-17036-00	HOSE CLAMP ASSY .....	2	
10	4JH-12588-00-00	HOSE 5 .....	1	
11	90450-17036-00	HOSE CLAMP ASSY .....	2	
12	4JH-1243A-00-00	HOSE 1 .....	1	
13	90467-11090-00	CLIP .....	2	
14	90480-15363-00	GROMMET .....	3	
15	90387-07391-00	COLLAR .....	3	
16	95807-06025-00	BOLT, FLANGE .....	3	
17	90201-06071-00	WASHER, PLATE .....	3	
18	90445-083J9-00	HOSE (L960) .....	1	
19	90467-08075-00	CLIP .....	2	
20	4JH-1244F-00-00	BRACKET 1 .....	1	
21	4JH-2142K-00-00	BRACKET, RADIATOR .....	1	
22	95807-06012-00	BOLT, FLANGE .....	2	

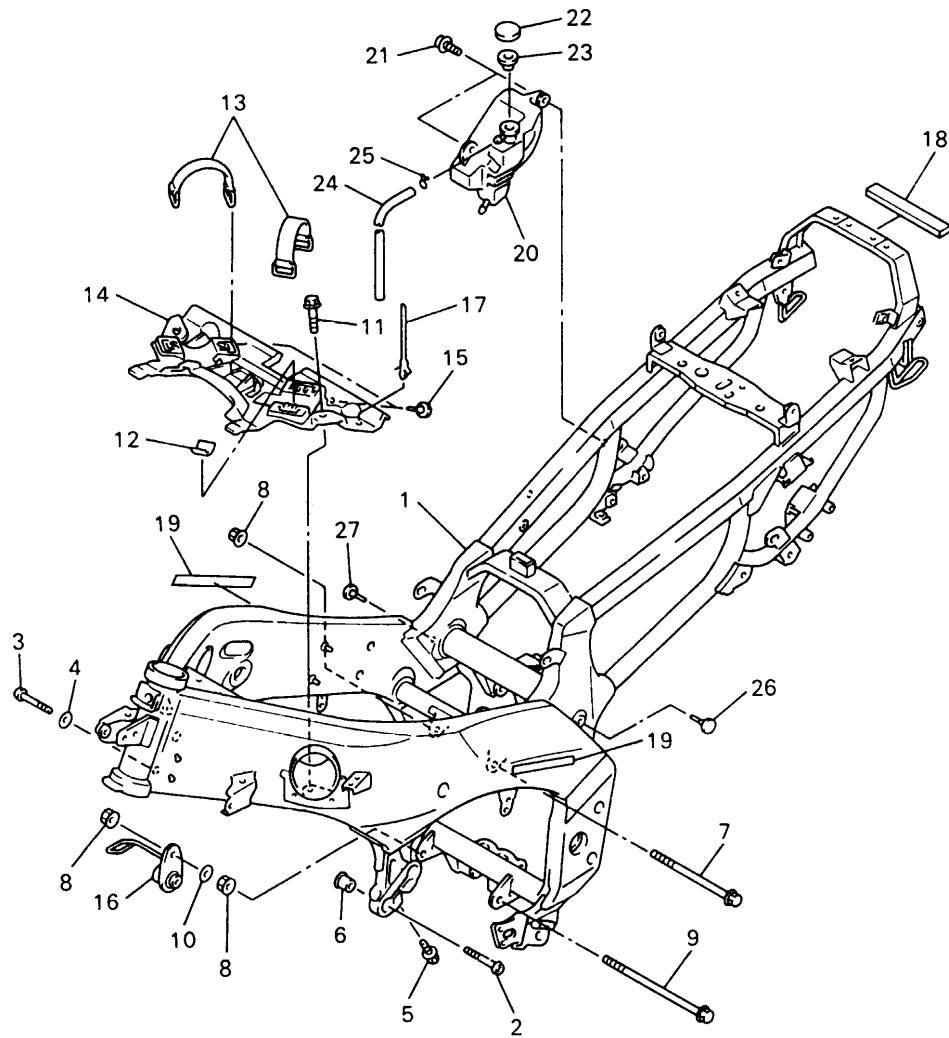
# CRANKCASE



Ref. No.	Part Number	Description	Qty	Remarks
1	4JH-15100-03-00	CRANKCASE ASSY	1	
2	11H-15138-00-00	. NOZZLE 1	1	
3	26H-15138-00-00	. NOZZLE 1	1	
4	99530-12016-00	. PIN, DOWEL	1	
5	4JH-15138-00-00	. NOZZLE 1	1	
6	93210-12152-00	. O-RING	1	
7	4H7-15361-00-00	. GAUGE, LEVEL	1	
8	36Y-15189-00-00	. PLUG	2	
9	93210-16325-00	. O-RING	2	
10	90201-237K5-00	. WASHER, PLATE	1	
11	93315-32516-00	. BEARING	1	
12	93612-16254-00	PIN, DOWEL	2	
13	90116-09583-00	BOLT, STUD	2	
14	90116-09584-00	BOLT, STUD	10	
15	90105-08630-00	BOLT, FLANGE	12	
16	90201-087K3-00	WASHER, PLATE	12	
17	95817-06040-00	BOLT, FLANGE	10	
18	95817-06050-00	BOLT, FLANGE	5	
19	95817-06070-00	BOLT, FLANGE	1	
20	95817-06080-00	BOLT, FLANGE	3	
21	95817-06090-00	BOLT, FLANGE	2	
22	95817-08070-00	BOLT, FLANGE	1	
23	90430-06166-00	GASKET	1	
24	90465-10307-00	CLAMP	1	
25	90465-10308-00	CLAMP	1	
26	4JH-11165-00-00	PLATE, BREATHER	1	
27	98507-06012-00	SCREW, PAN HEAD	2	
28	3HE-11145-00-00	PLATE, BREATHER 2	1	
29	98507-06012-00	SCREW, PAN HEAD	4	

CONTINUED ON NEXT FRAME ►

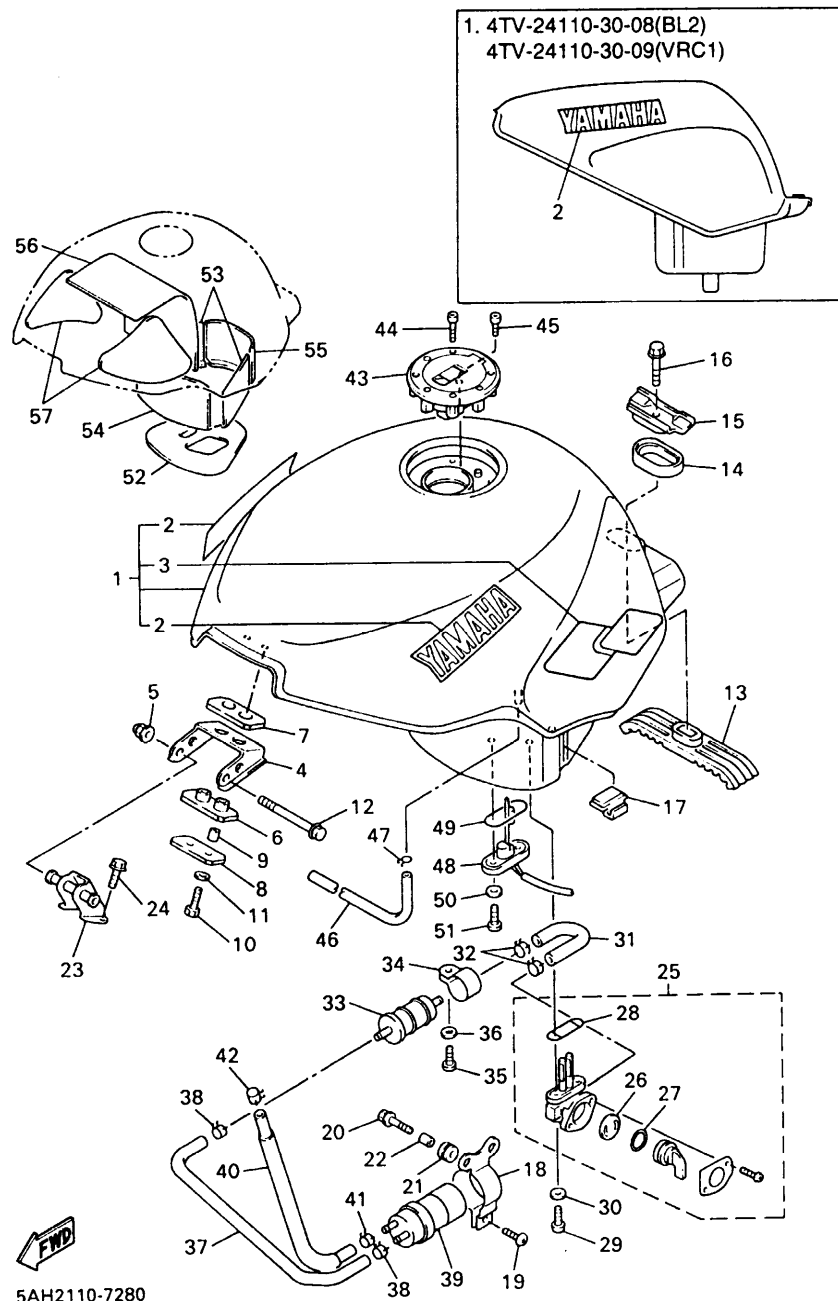
# FRAME



4TV351-6200

Ref. No.	Part Number	Description	Qty	Remarks
1	4TV-21110-01-35	FRAME COMP. ....	1	SL
2	91314-10045-00	BOLT .....	2	
3	91314-10050-00	BOLT .....	2	
4	90201-110T8-00	WASHER, PLATE .....	2	
5	95814-10025-00	BOLT, FLANGE .....	2	
6	90387-115V8-00	COLLAR .....	2	
7	90105-10731-00	BOLT, FLANGE .....	1	
8	95707-10500-00	NUT, FLANGE .....	3	
9	95827-10175-00	BOLT, FLANGE .....	1	
10	90201-10774-00	WASHER, PLATE .....	1	
11	90119-06044-00	BOLT, WITH WASHER .....	2	
12	31A-28217-00-00	DAMPER 1 .....	2	
13	36X-2811G-00-00	BAND .....	2	
14	4TV-2117M-00-00	COVER 2 .....	1	
15	36Y-21639-00-00	DAMPER 2 .....	2	
16	4JH-21446-00-00	STAY, MUFFLER 2 .....	1	
17	90464-12089-00	CLAMP .....	2	
18	4TV-21486-00-00	DAMPER 2 .....	1	
19	4SV-28328-11-00	EMBLEM .....	2	
20	4FM-21871-02-00	TANK, RECOVERY .....	1	
21	90159-06033-00	SCREW, WITH WASHER .....	1	
22	4L0-21875-00-00	CAP .....	1	
23	1AA-21874-00-00	.GASKET .....	1	
24	90445-08786-00	HOSE (L730) .....	1	
25	90467-08003-00	CLIP .....	1	
26	36Y-21639-00-00	DAMPER 2 .....	1	
27	36Y-21639-00-00	DAMPER 2 .....	1	

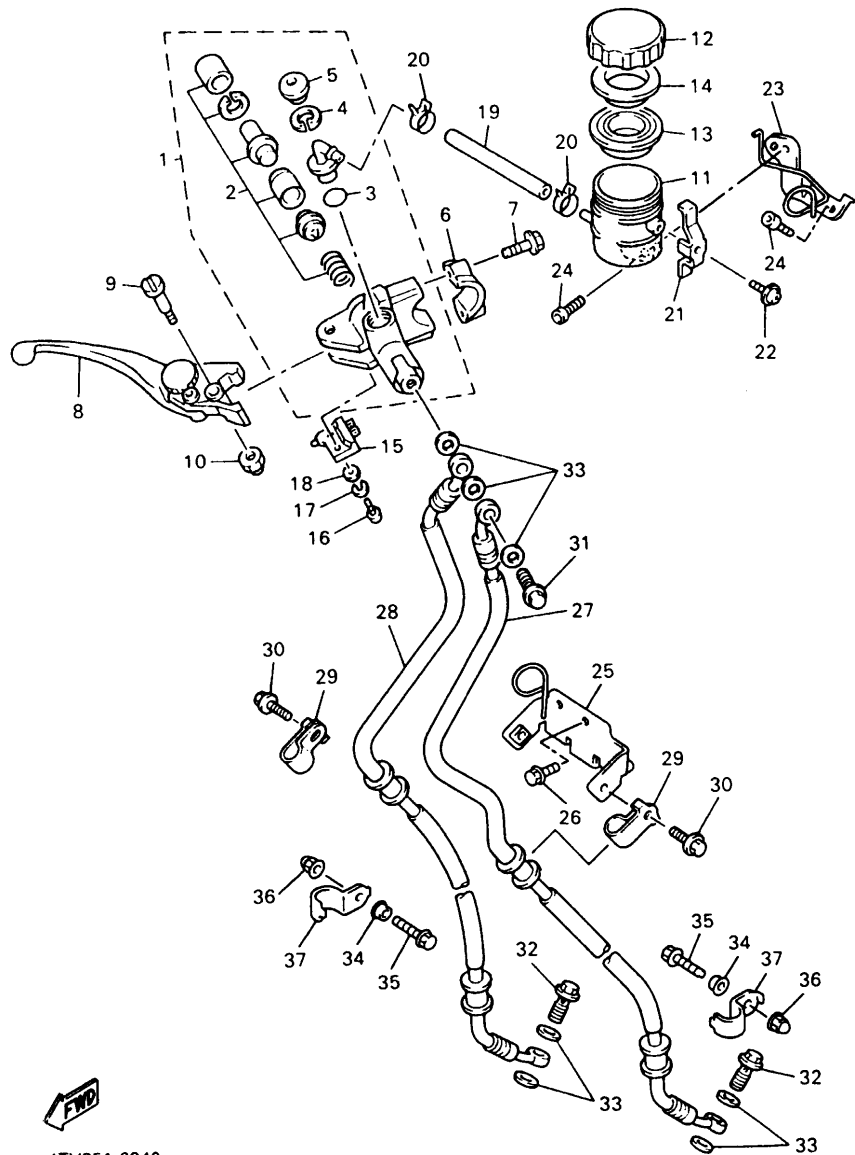
# FUEL TANK



Ref. No.	Part Number	Description	Qty	Remarks
1	4TV-24110-30-04	FUEL TANK COMP. ....	1	UR DPBMC
	4TV-24110-30-08	FUEL TANK COMP. ....	1	UR BL2
	4TV-24110-30-09	FUEL TANK COMP. ....	1	UR VRC1
2	4TV-2153A-00-00	. EMBLEM, YAMAHA ....	2	UR FOR DPBMC
	4TV-2153A-20-00	. EMBLEM, YAMAHA ....	2	UR FOR VRC1
	4TV-2153A-30-00	. EMBLEM, YAMAHA ....	2	UR FOR BL2
3	5AH-24240-00-00	. GRAPHIC SET ....	1	FOR DPBMC
4	4FM-24191-00-00	BRACKET, FUEL TANK 1 ....	1	
5	90176-06055-00	NUT, CROWN ....	1	
6	2GH-24181-00-00	DAMPER, LOCATING 1 ....	1	
7	2GH-24183-00-00	DAMPER, LOCATING 3 ....	1	
8	2GH-24186-00-00	WASHER, SPECIAL ....	1	
9	90387-06299-00	COLLAR ....	2	
10	97007-06025-00	BOLT ....	2	
11	92907-06600-00	WASHER, PLATE ....	2	
12	95817-06075-00	BOLT, FLANGE ....	1	
13	33M-24182-01-00	DAMPER, LOCATING 2 ....	1	
14	3Y6-24183-00-00	DAMPER, LOCATING 3 ....	1	
15	4FM-24187-00-00	WASHER, SPECIAL ....	1	
16	95807-08035-00	BOLT, FLANGE ....	1	
17	4TV-24183-10-00	DAMPER, LOCATING 3 ....	2	
18	3CV-24491-10-00	BRACKET, FUEL PUMP ....	1	
19	98907-05010-00	SCREW, BIND ....	1	
20	90119-06096-00	BOLT, WITH WASHER ....	2	
21	90480-13163-00	GROMMET ....	2	
22	90387-060G7-00	COLLAR ....	2	
23	4TV-24115-00-00	STAY, FUEL TANK 1 ....	1	
24	95027-06016-00	BOLT, FLANGE ....	2	
25	4TV-24500-00-00	FUEL COCK ASSY 1 ....	1	

CONTINUED ON NEXT FRAME ►

# FRONT MASTER CLINDER

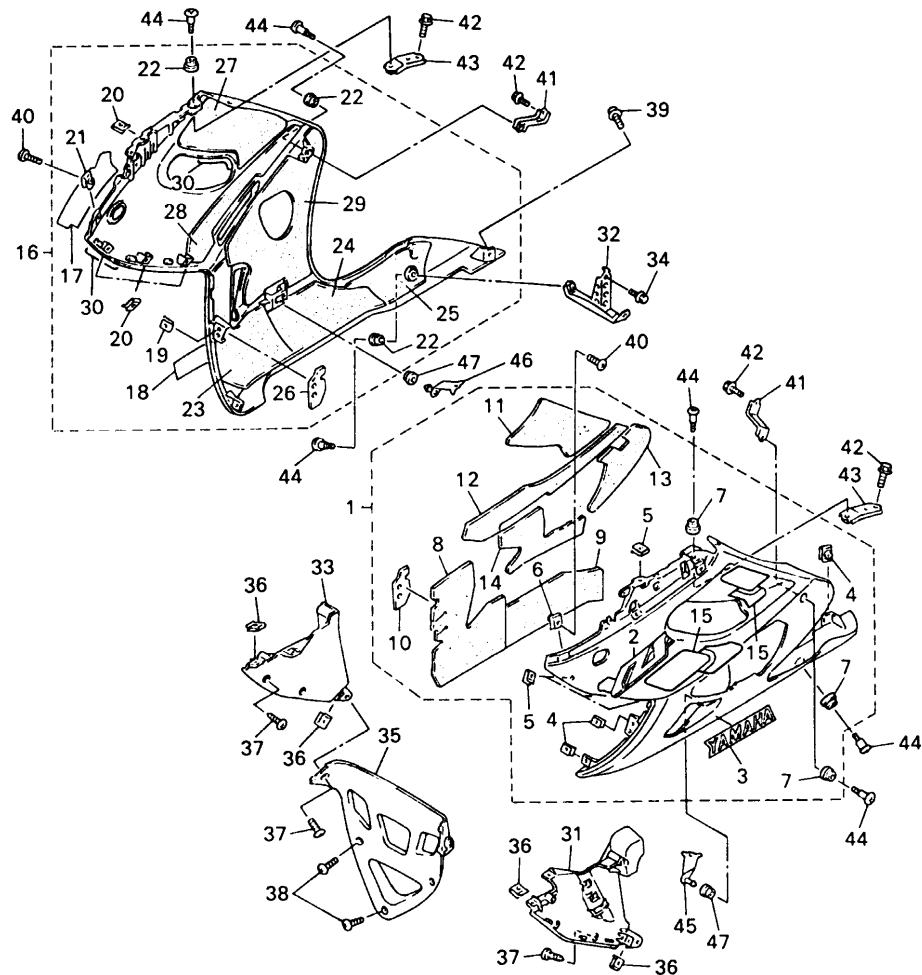


4TV351-6340

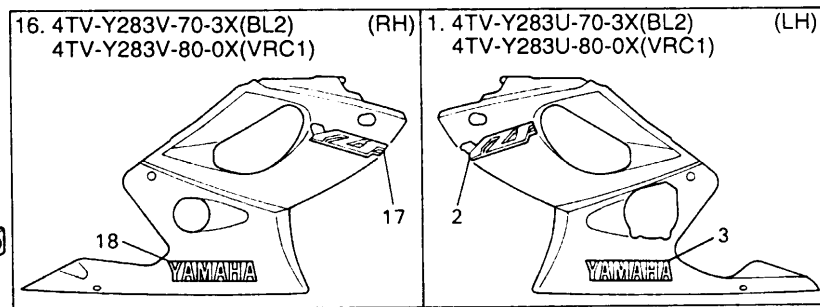
Ref. No.	Part Number	Description	Qty	Remarks
1	4SV-W2587-00-00	MASTER CYLINDER SUB ASSY	1	
2	4SV-W0041-00-00	. CYLINDER KIT, MASTER . . . .	1	
3	93210-15620-00	. .O-RING . . . . .	1	
4	2VN-25866-00-00	. .CIRCLIP . . . . .	1	
5	3FV-2589A-00-00	. .COVER, DUST . . . . .	1	
6	56A-25867-00-00	BRACKET, MASTER CYLINDER	1	
7	95026-06025-00	BOLT, FLANGE . . . . .	2	
8	4SV-83922-00-00	LEVER 2 . . . . .	1	
9	3FV-2589F-00-00	BOLT, LEVER . . . . .	1	
10	95606-06100-00	.NUT, U . . . . .	1	
11	3FV-25894-00-00	TANK, RESERVOIR . . . . .	1	
12	3GM-25852-50-00	CAP, RESERVOIR . . . . .	1	
13	3FV-25854-00-00	DIAPHRAGM, RESERVOIR . . .	1	
14	2J2-25855-50-00	BUSH, DIAPHRAGM . . . . .	1	
15	3FV-83980-00-00	FRONT STOP SWITCH ASSY .	1	
16	98502-04012-00	SCREW, PAN HEAD . . . . .	1	
17	92902-04100-00	WASHER, SPRING . . . . .	1	
18	92902-04600-00	WASHER, PLATE . . . . .	1	
19	3GM-2582F-00-00	HOSE . . . . .	1	
20	3PA-24356-00-00	CLIP, PIPE 1 . . . . .	2	
21	3FV-2589G-00-00	HOLDER . . . . .	1	
22	3GM-2589H-00-00	.SCREW . . . . .	1	
23	4TV-26292-00-00	STAY . . . . .	1	
24	91317-06012-00	BOLT . . . . .	2	
25	4TV-2134K-00-00	BRACKET, HORN . . . . .	1	
26	95807-06012-00	BOLT, FLANGE . . . . .	2	
27	4TV-25872-00-00	HOSE, BRAKE 1 . . . . .	1	
28	4TV-25873-00-00	HOSE, BRAKE 2 . . . . .	1	
29	90461-10132-00	CLAMP . . . . .	2	

CONTINUED ON NEXT FRAME ►

# COWLING 2



Ref. No.	Part Number	Description	Qty	Remarks
38	90154-05059-00	SCREW, BINDING	3	
39	90159-05065-00	SCREW, WITH WASHER	1	
40	90154-05059-00	SCREW, BINDING	6	
41	4JH-2832U-00-00	STAY, SIDE 1	2	
42	95807-06010-00	BOLT, FLANGE	4	
43	4TV-2836H-00-00	BRACKET 5	2	
44	90150-06036-00	SCREW, ROUND HEAD	6	
45	4JH-2836F-00-00	BRACKET 2	1	
46	4JH-2836G-00-00	BRACKET 4	1	
47	90480-01531-00	GROMMET	2	



5AH110-7380

CLICK HERE TO **DOWNLOAD** THE COMPLETE MANUAL

- Thank you very much for reading the preview of the manual.
- You can download the complete manual from: [www.heydownloads.com](http://www.heydownloads.com) by clicking the link below



- Please note: If there is no response to CLICKING the link, please download this PDF first and then click on it.

CLICK HERE TO **DOWNLOAD** THE COMPLETE MANUAL